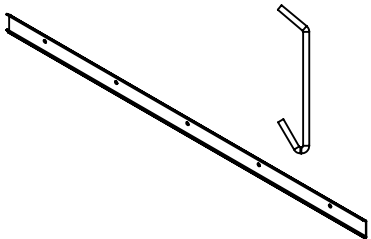
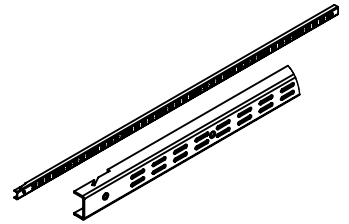
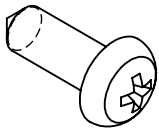


ASSEMBLY INSTRUCTION WILLE BORDER+WALLBAR

Lekolar®

1		1X
2		2X
3		
4	