



Product code: WDKOL02

Product designation: Inclusive Wheel is dedicated to be installed on the playgrounds, parks and private gardens to provide accessible recreation area for the wheelchair users together with the non-disabled users. The device complies with EN 1176.

Materials:

Construction: black steel with epoxy primer and powder coated; steel sheet with epoxy primer, painted and powder coated

Wheel surface: 15mm HDPE board

Foundation: concrete minimum B-15 class

Dimensions:

External dimensions: 720x578x1375 mm

Outer diameter of the wheel: 720 mm

Height of the wheel axle from the ground: 800 mm

Height of the lower edge of the wheel from the ground: 440 mm

Weight (without foundations): 50 kg

Outer diameter of the post section: 60.3 mm

Free fall height: none

Safety area dimensions: 1500 mm from the each outer edge of the device

Functional area dimensions: 10,2m²

Foundation depth: 470 mm below the ground level

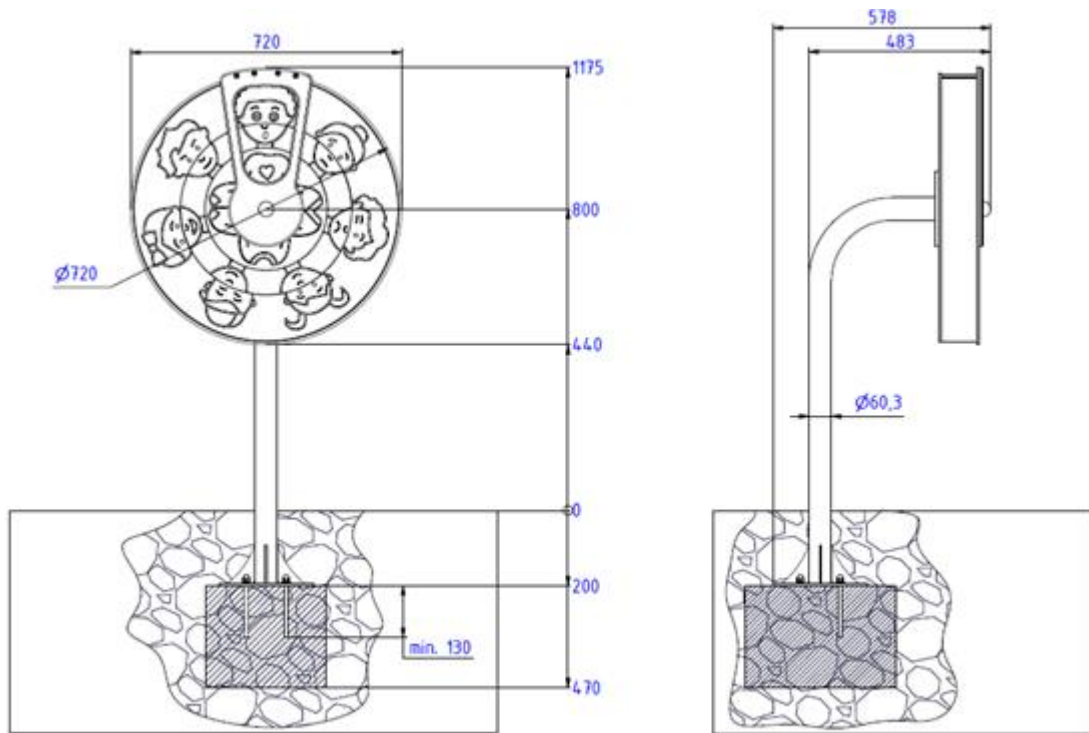


Fig. Dimensions

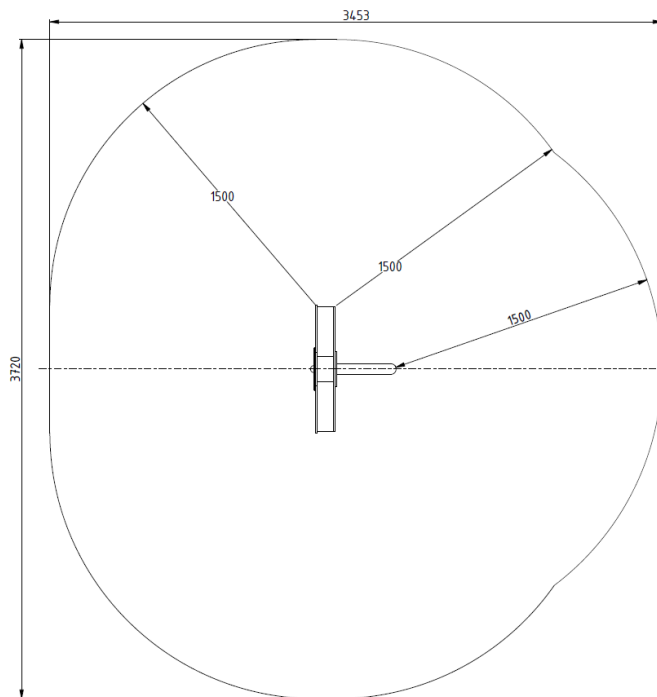


Fig. Safety area dimension



Safety:

TERMA Inclusive Wheel complies with EN 1176 norm.

Installation:

Anchoring to the ground. Amortization layer is no needed. Homogeneous surface is necessary. Make sure to provide appropriate surface surrounding the Wheel for the wheelchair users easy access!

Features:

TERMA Inclusive Wheel combines outdoor fun with therapy. Device aims to integrate non-disabled people and those with disabilities (using wheelchairs), giving them possibility of playing together. Besides inclusive purpose TERMA Inclusive Wheel provides kinesiotherapy and social rehabilitation.

The device complies with the premise of universal design, which provides ideas of accessibility to all potential users, physically able-bodied, and with movement impairments.

The TERMA integration Wheel visually refers to the style of playground equipment, at the same time it is attractive in terms of design. It allows you to choose a colour set and the type of graphics.

Manufacturer:



TERMA Sp. z o.o.

Czaple 100, 80-298 Gdańsk

M: +48 / 609 900 451

T: +48 58 / 694 06 02

F: +48 58 / 694 05 06

produktymedyczne@termagroup.pl

www.termamed.pl

www.facebook.com/termamed