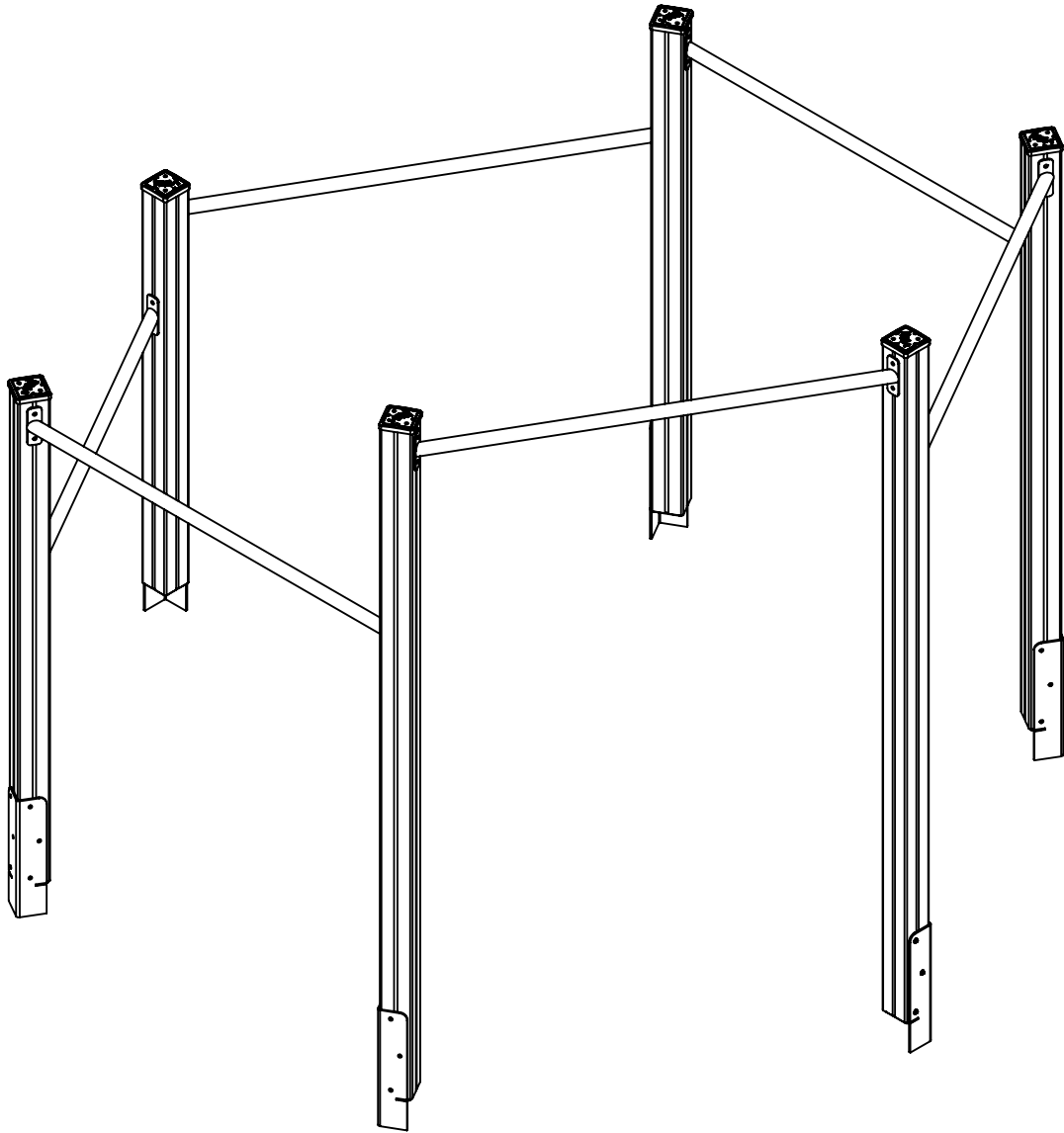
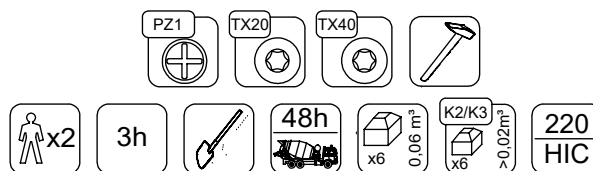


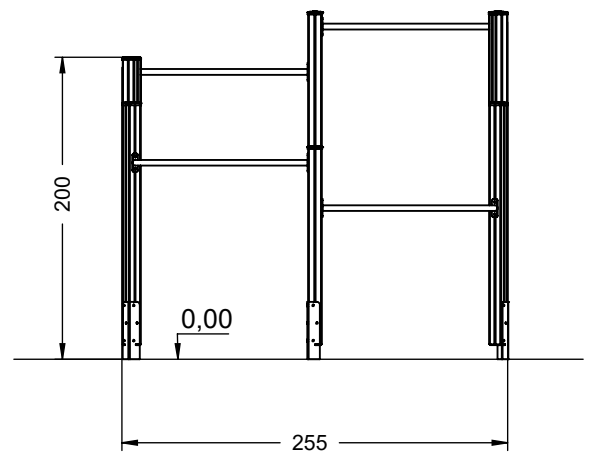
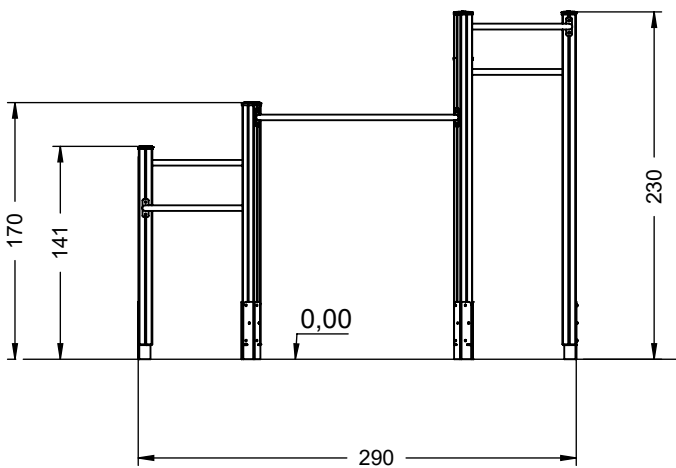
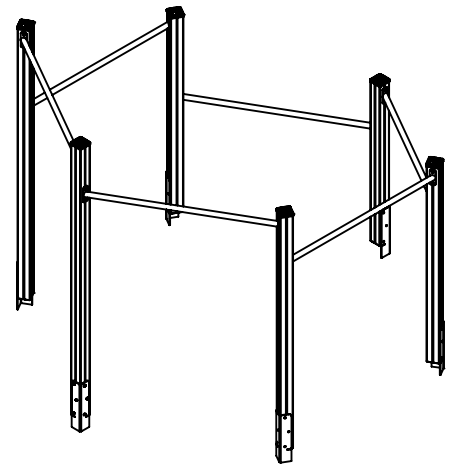
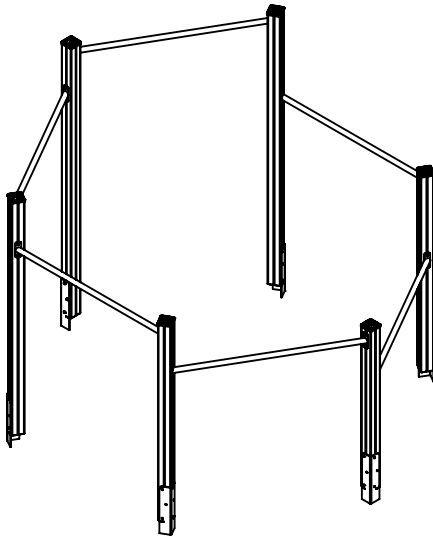
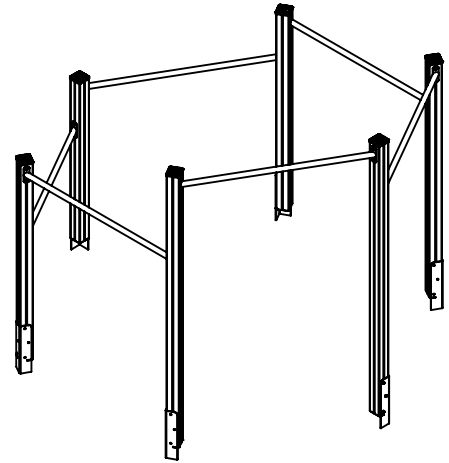
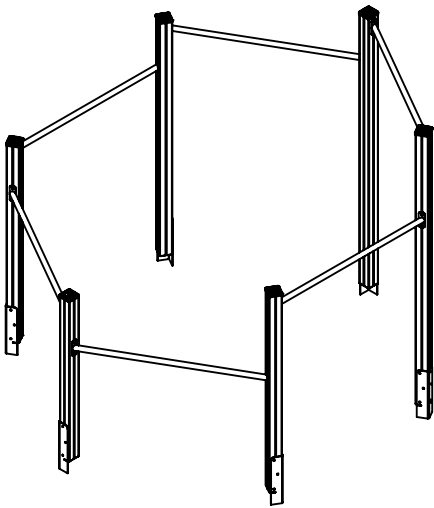
WD1487



v010
27.01.2021
D. P.
[cm]



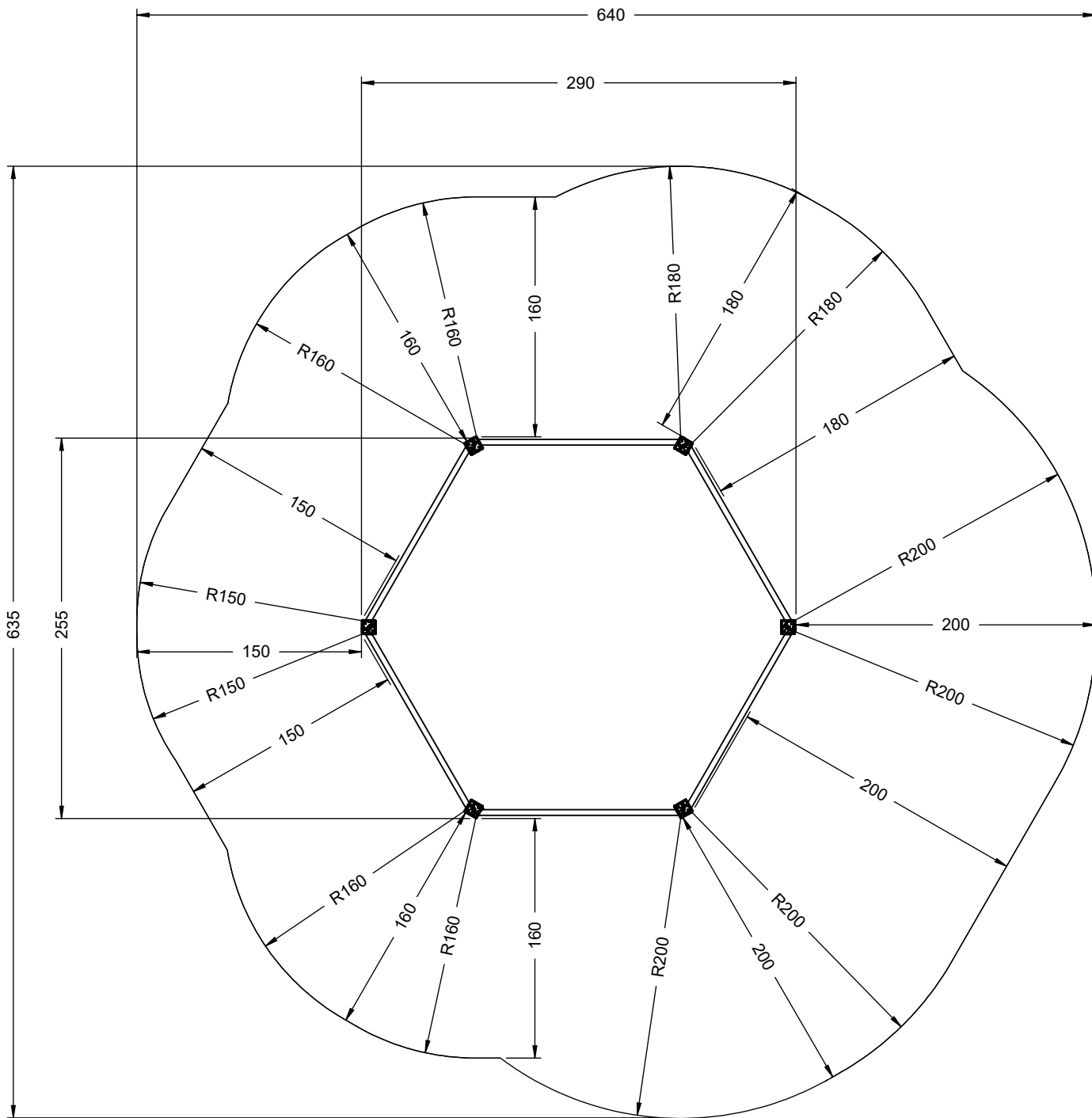
vinci
play



[cm]



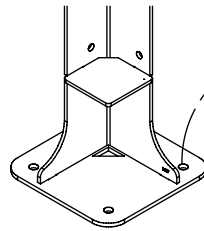
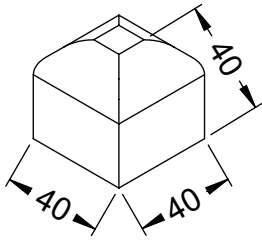
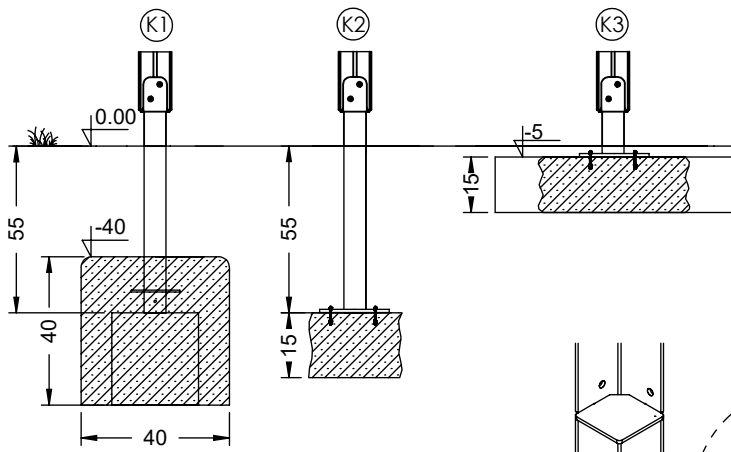
vinci
play


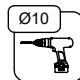



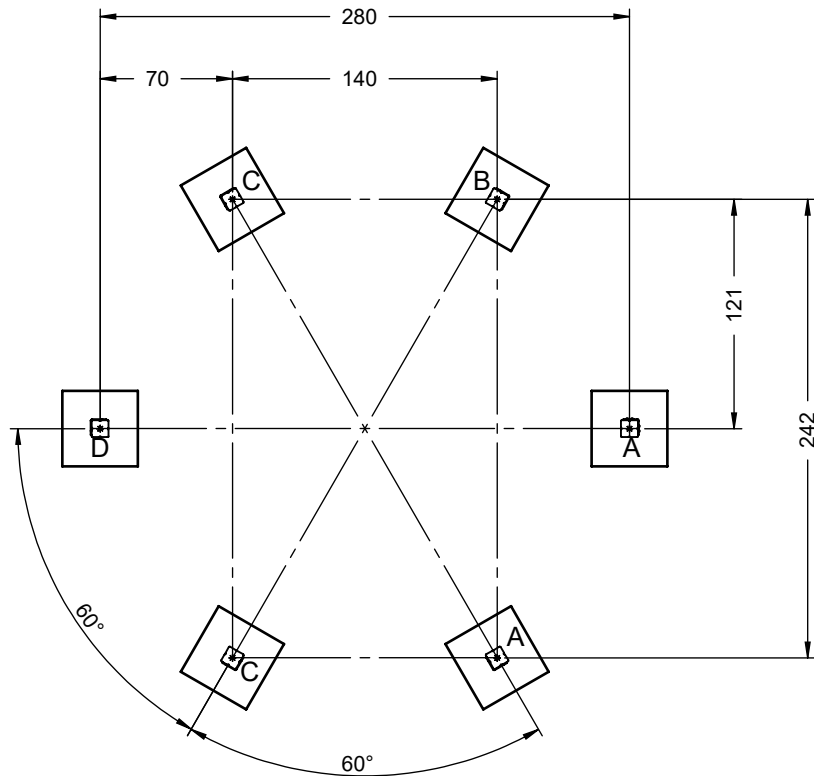
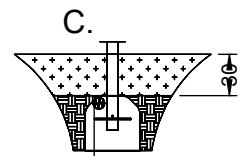
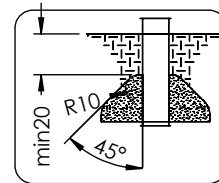
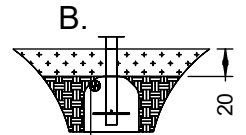
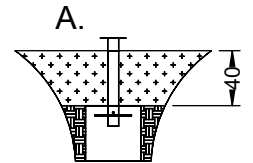
[cm]



vinci
play



	K2, K3
M10x120 x24	
NOT INCLUDED	



[cm]

	3h				0.06 m³		48h		K2/K3		> 0.02 m³
---	-----------	---	---	---	---------------------------	---	------------	--	--------------	--	--------------------------------

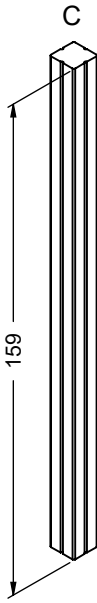
vinci
play



14721990
x2



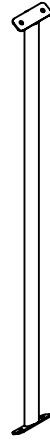
14718990
x1



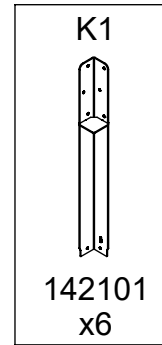
14715990
x2



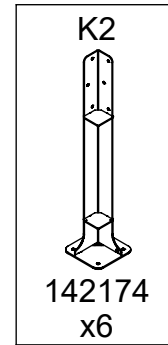
14713090
x1



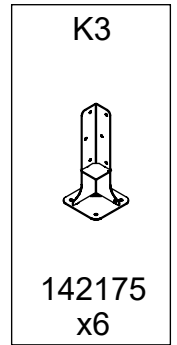
142144
x6



142101
x6

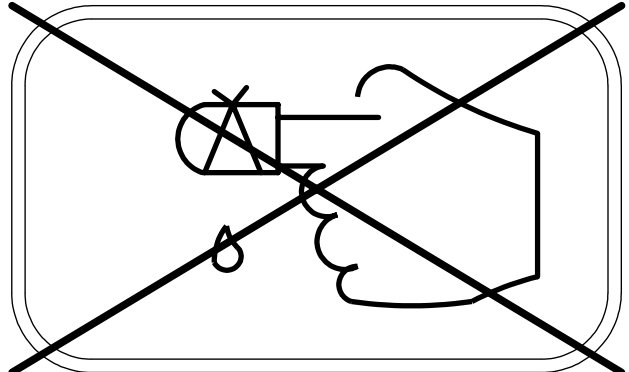
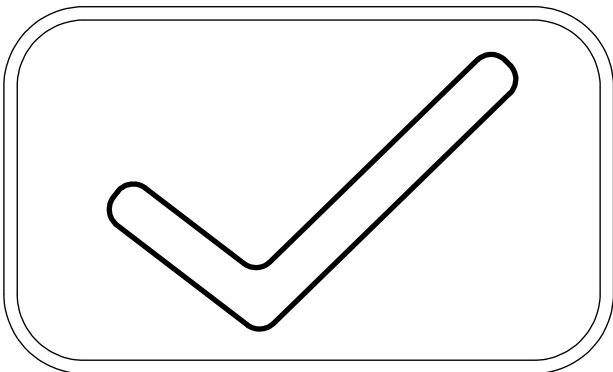
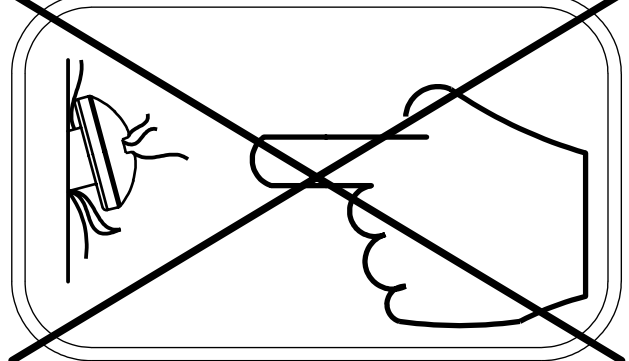
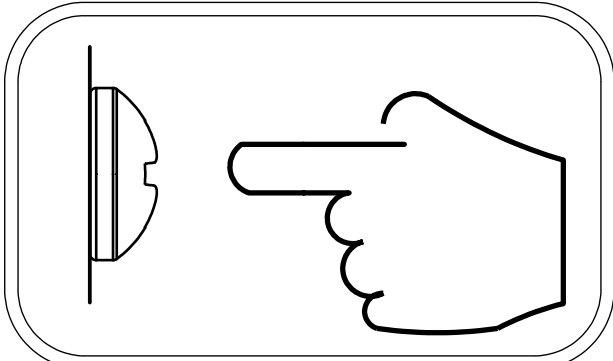
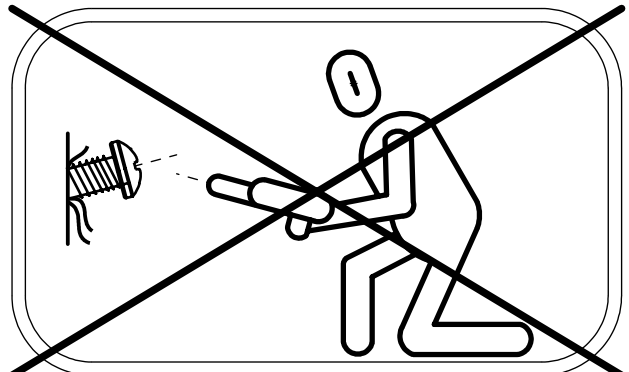
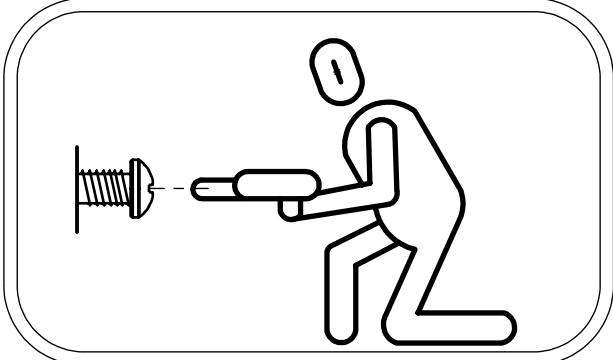


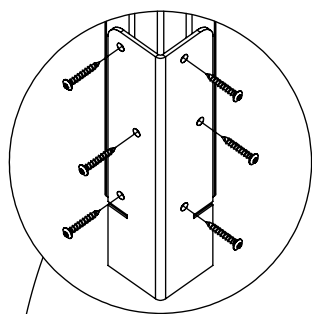
142174
x6



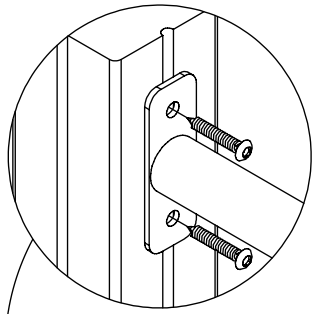
142175
x6

60x	8x50 sxi
6x	WD1
1x	V001

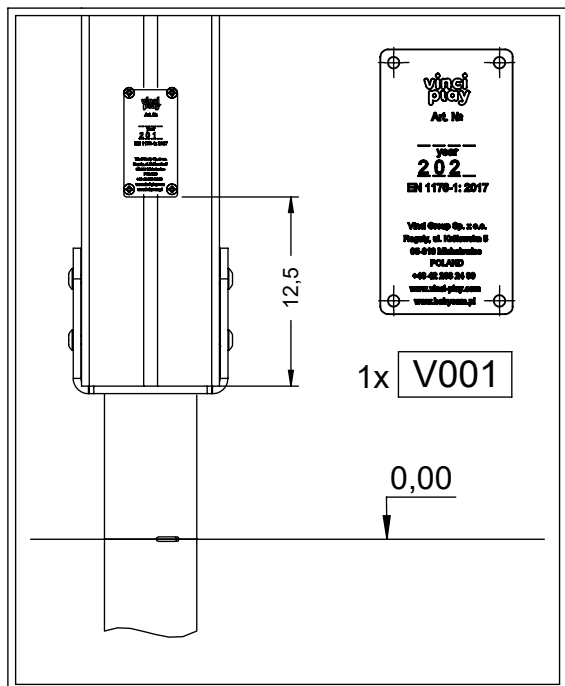
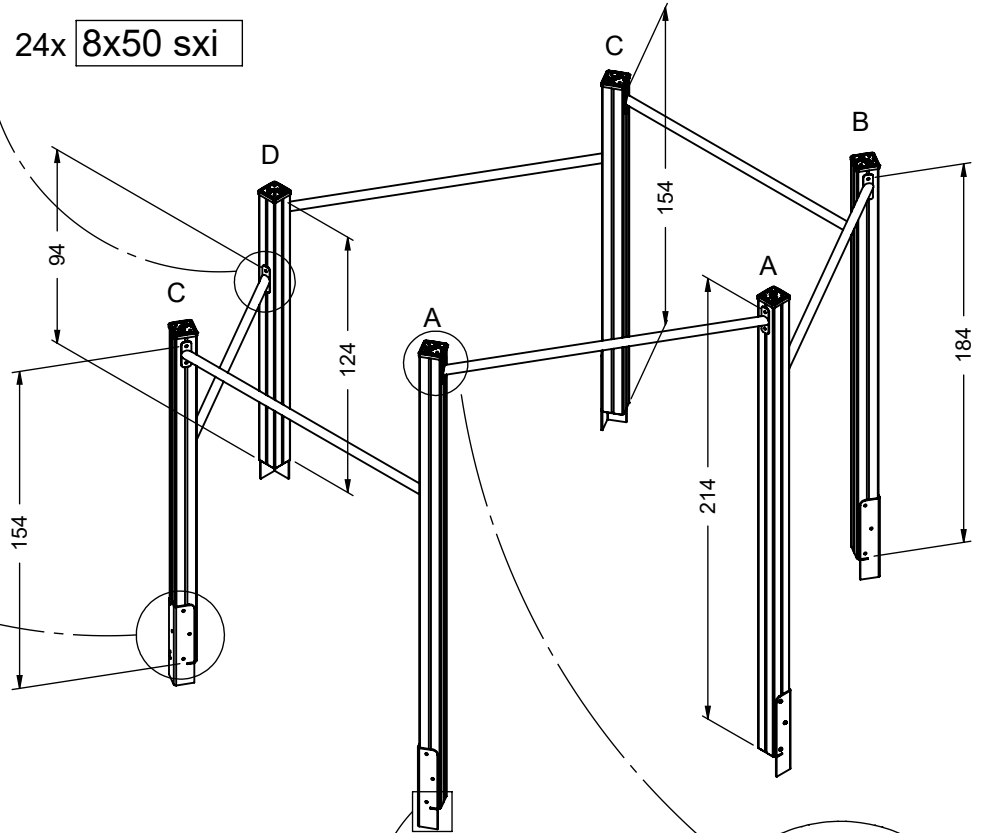
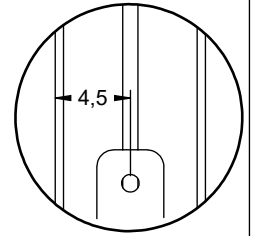
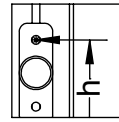
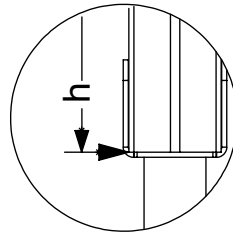




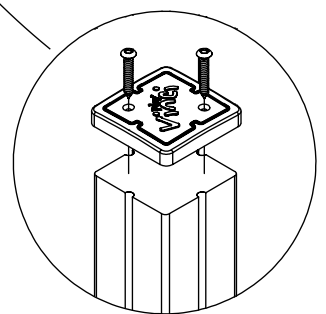
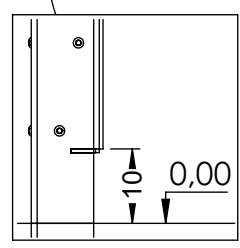
36x 8x50 sxi



24x 8x50 sxi

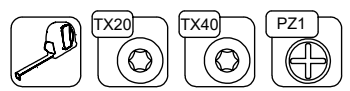


1x V001



6x WD1

[cm]



vinci play