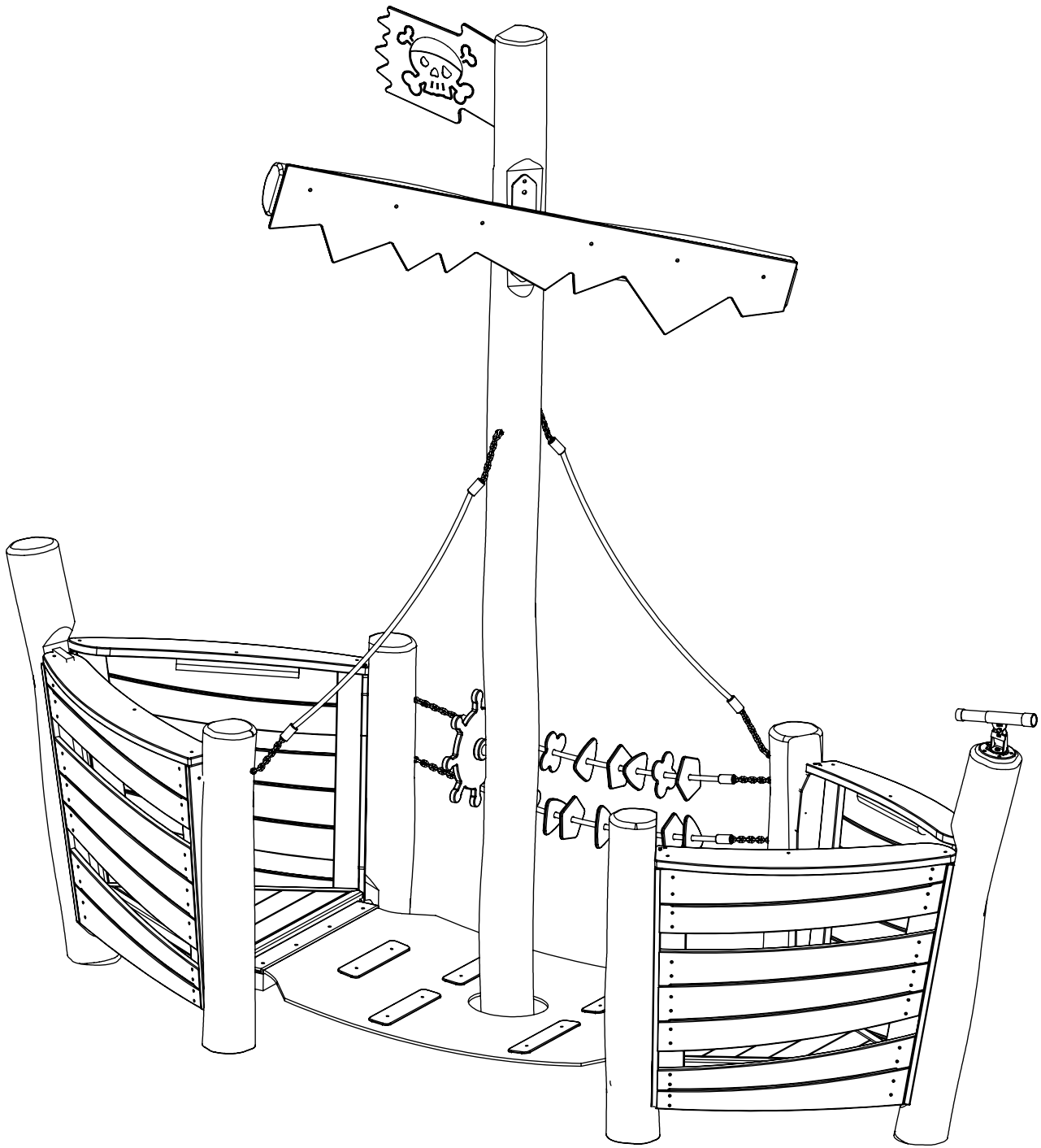


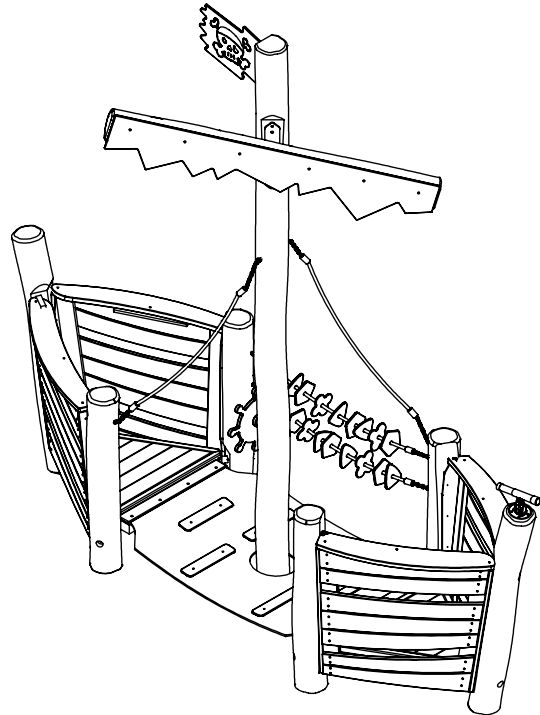
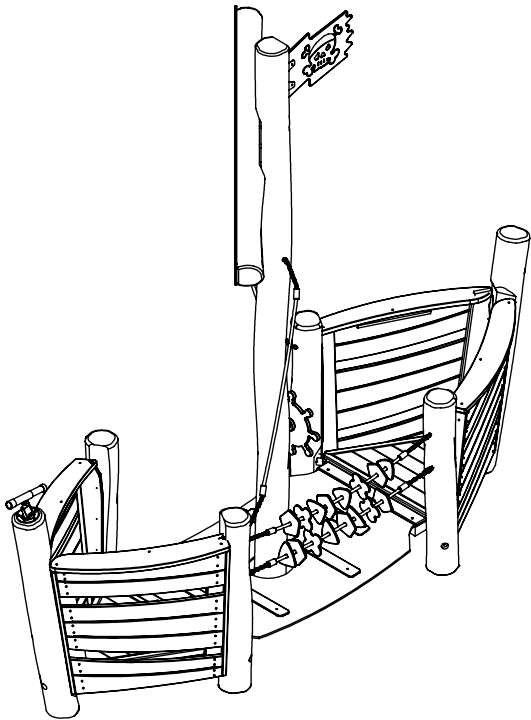
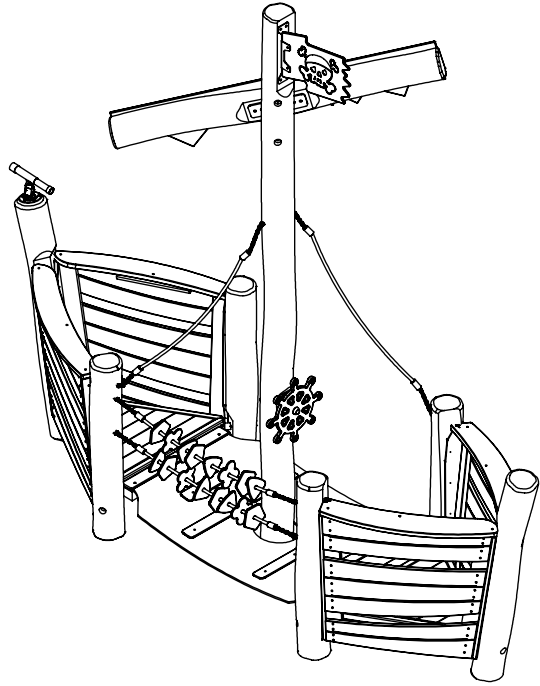
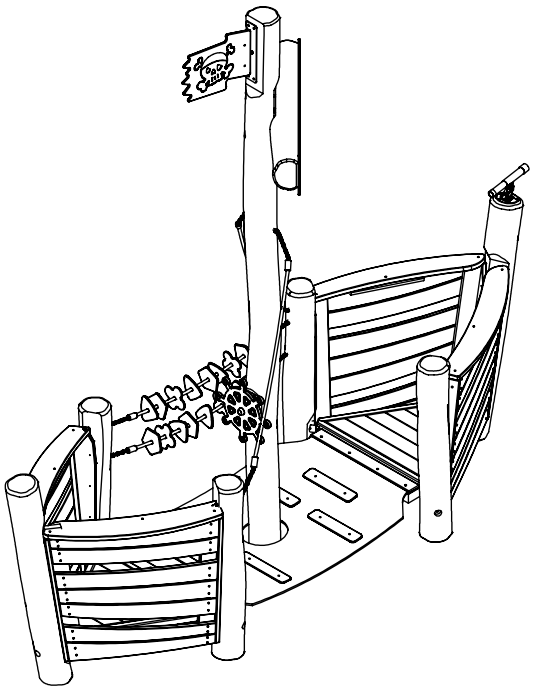
# RB1234



v011  
22.09.2021  
D. P.  
[cm]

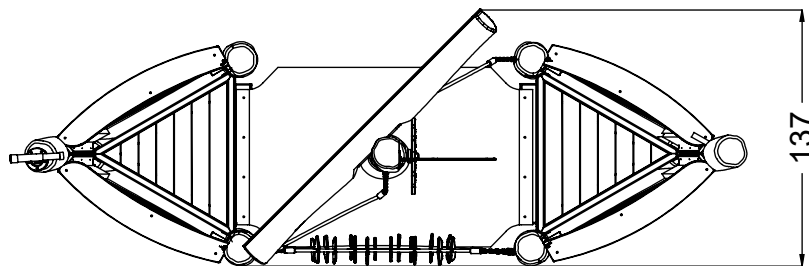
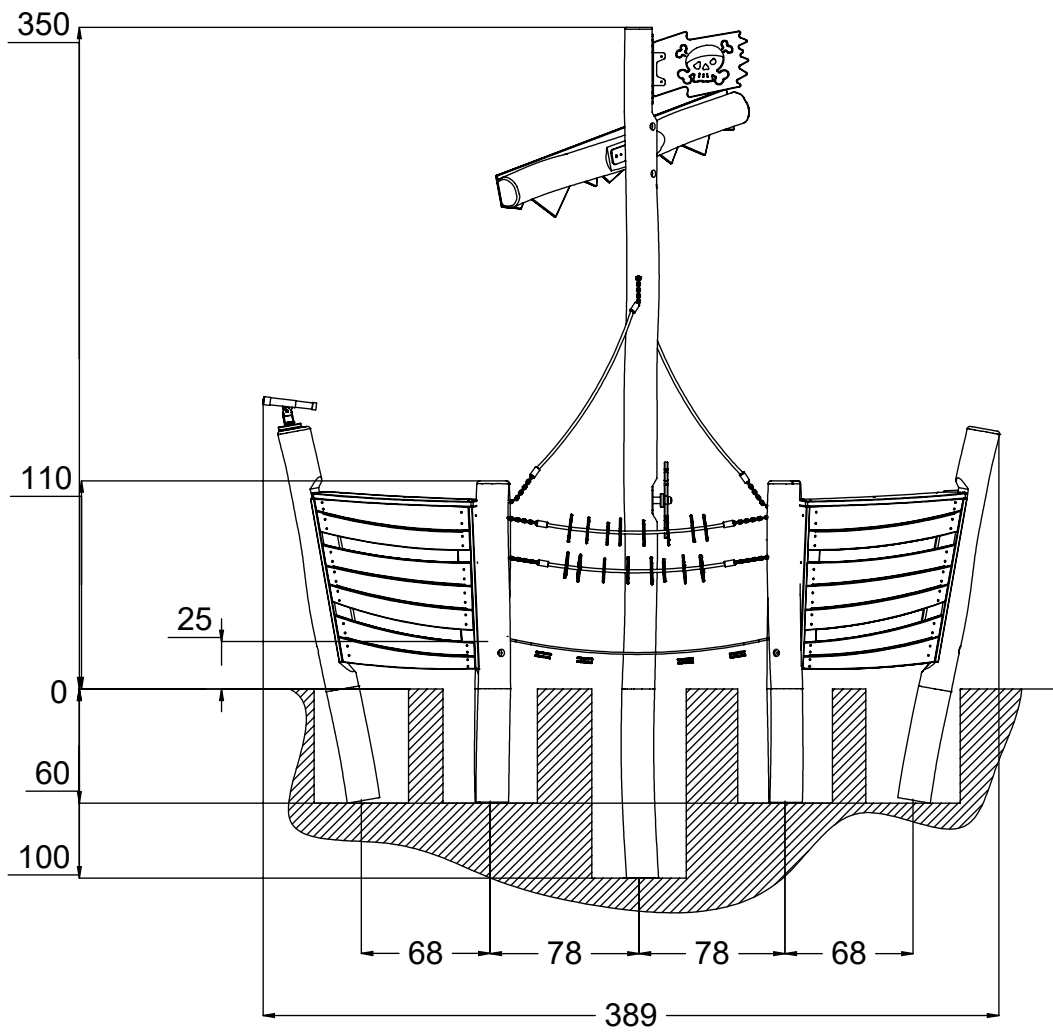
EN 1176	x2	4h			48h	K21 x6	K29 x1	110 HIC	Ø3,5	
4	Ø5,5	Ø24	13	17	19	>0,06mm <sup>2</sup>	>0,06mm <sup>2</sup>	Ø3	3	5

vinci  
play



[cm]

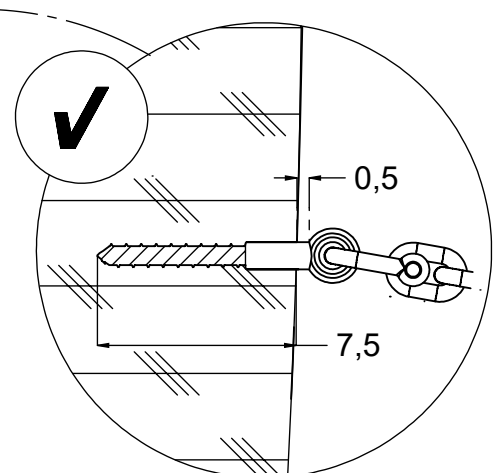
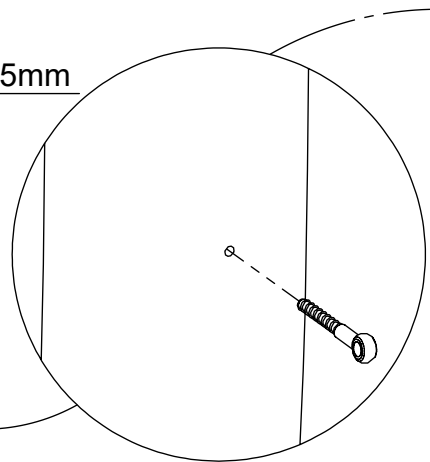
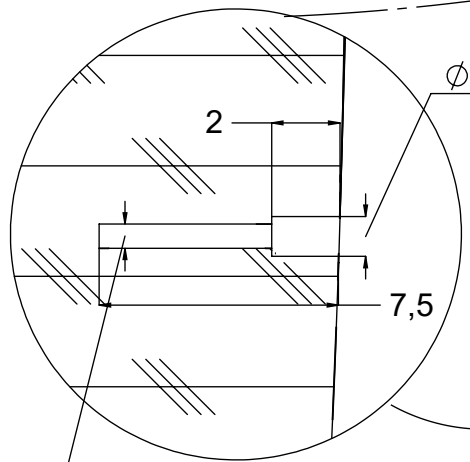
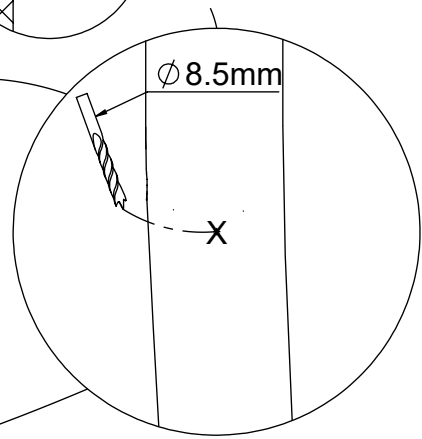
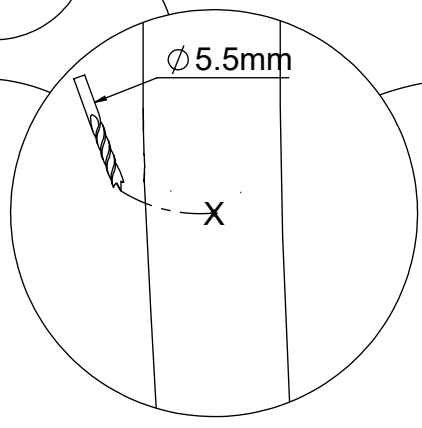
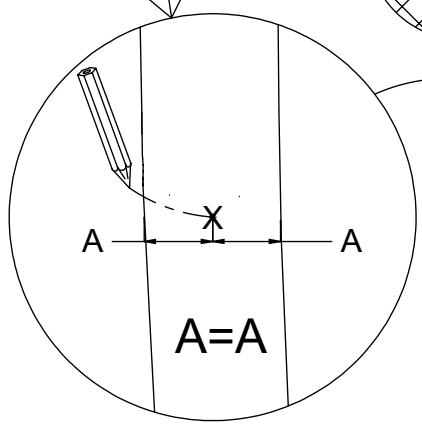
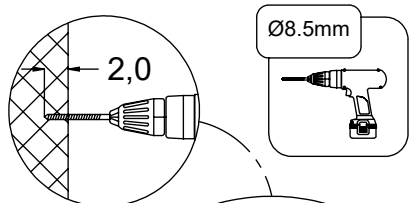
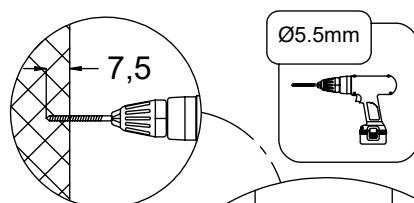
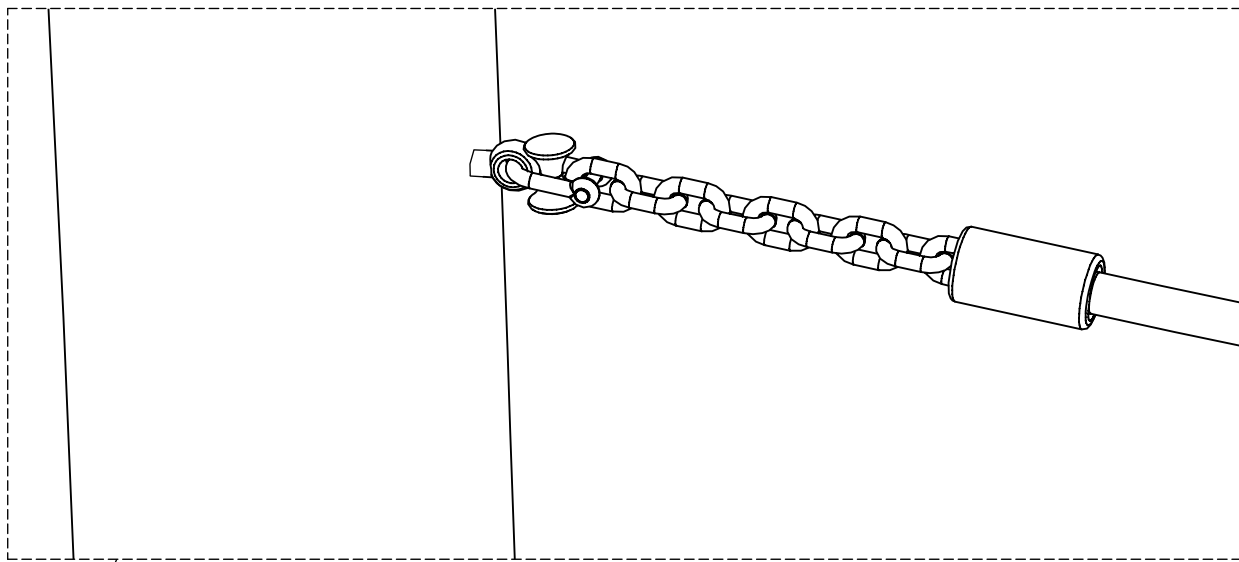
vinci  
play



[cm]



vinci  
play



Ø 5.5 mm

Ø 8.5mm

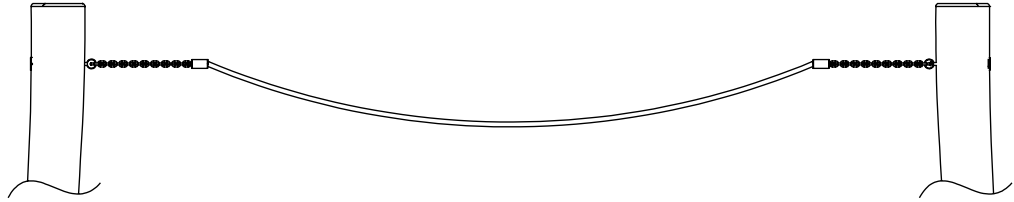
[cm]

vinci play

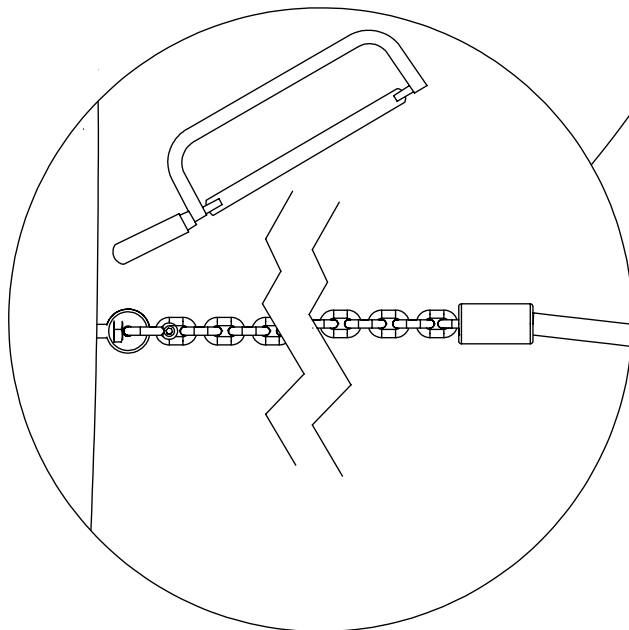
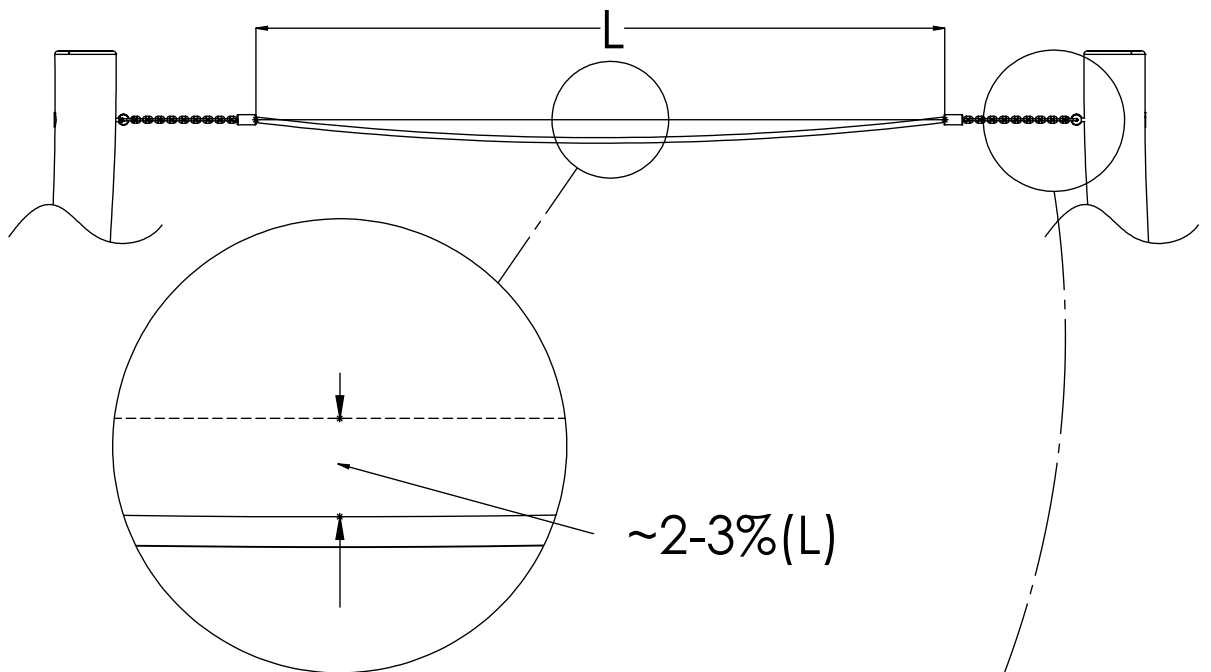
X

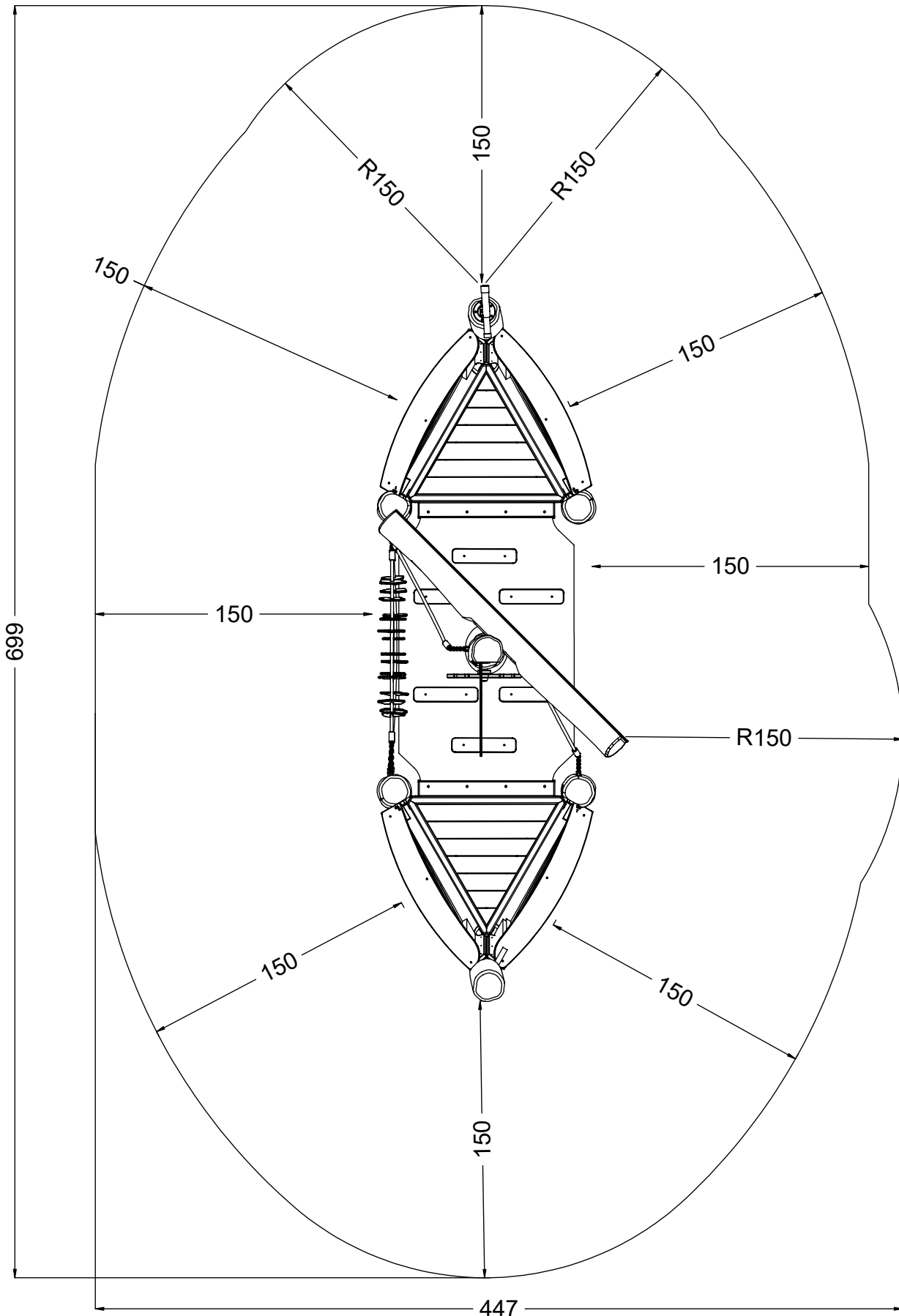


X



V

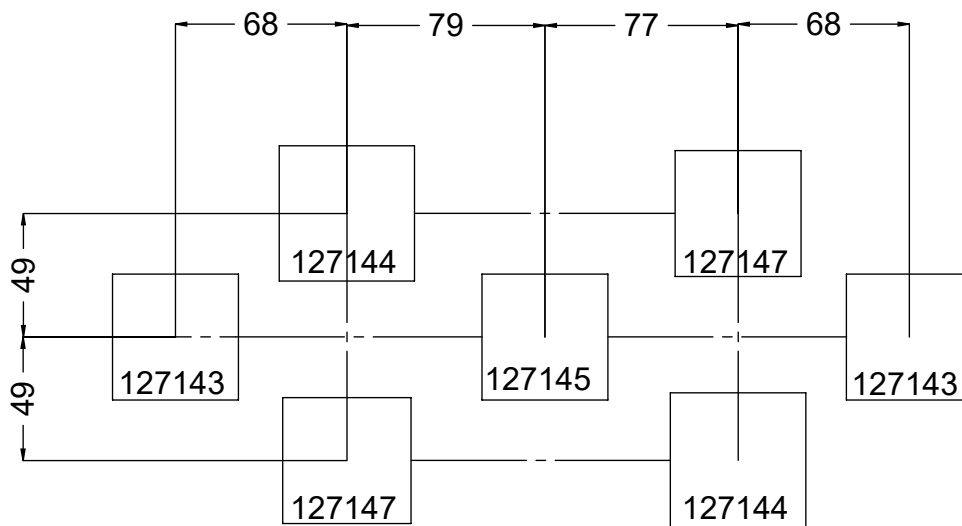
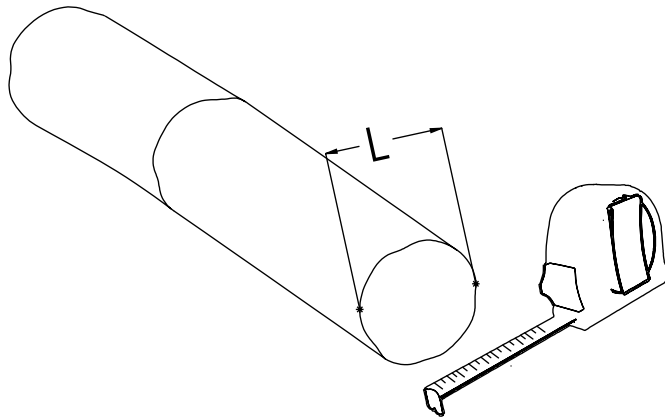
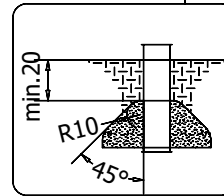
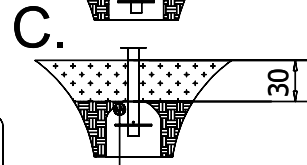
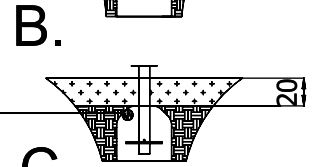
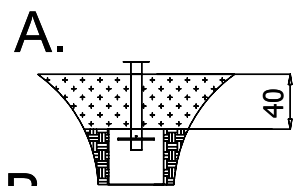
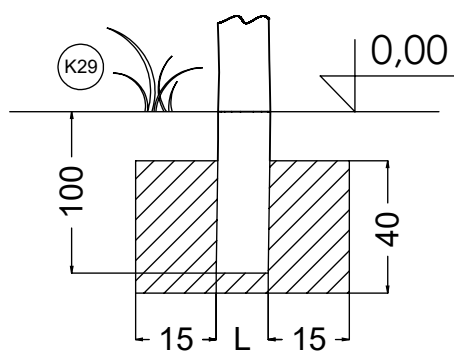
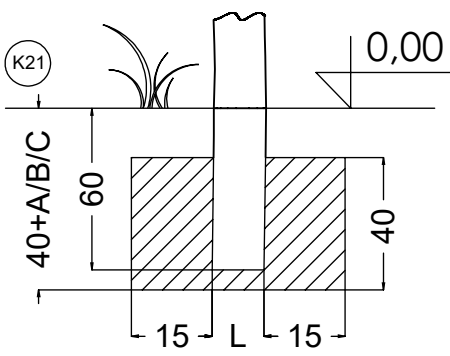




[cm]



vinci  
play



[cm]



4h



vinci  
play



127145  
x1



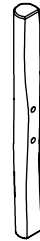
127143  
x2



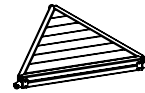
127144  
x2



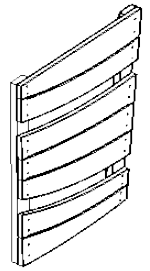
127147  
x2



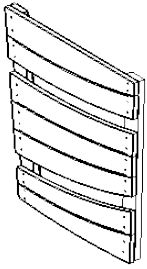
127146  
x1



124108  
x2



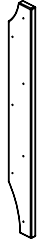
124139  
x2



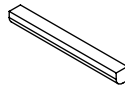
124138  
x2



128249  
128137  
x2



128250  
128165  
x2



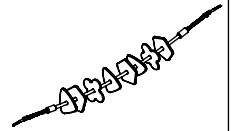
128152  
x4



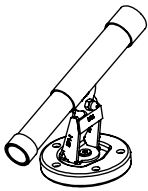
128248  
128140  
x2



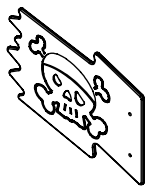
125104  
x2



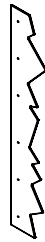
124114  
x2



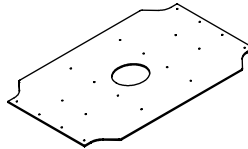
124116  
x1



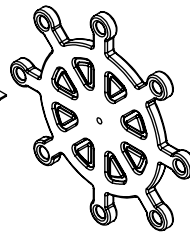
121111  
x1



121108  
x1



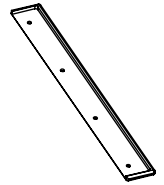
126102  
x1



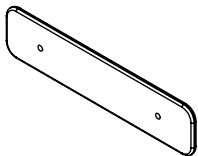
991106  
x1



128169  
x2



121109  
x2

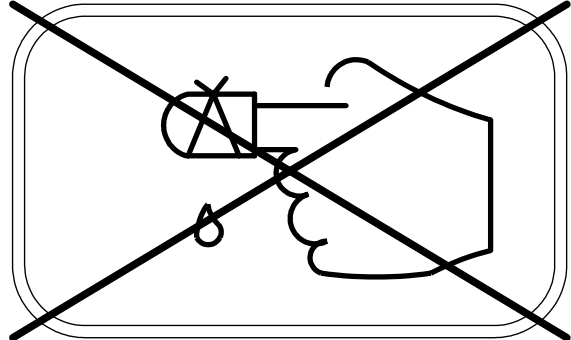
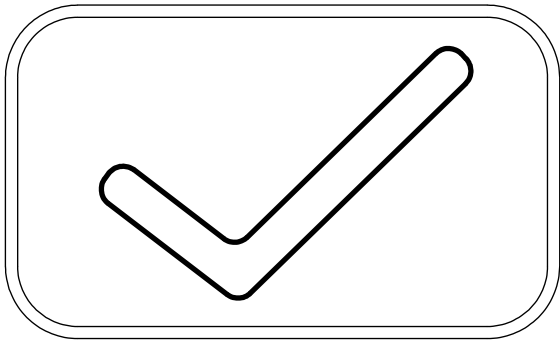
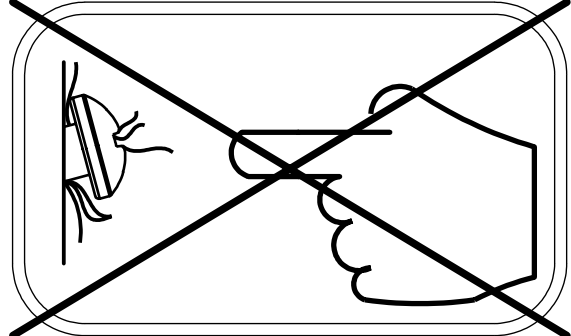
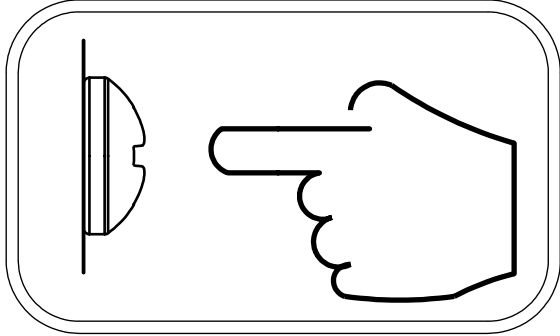
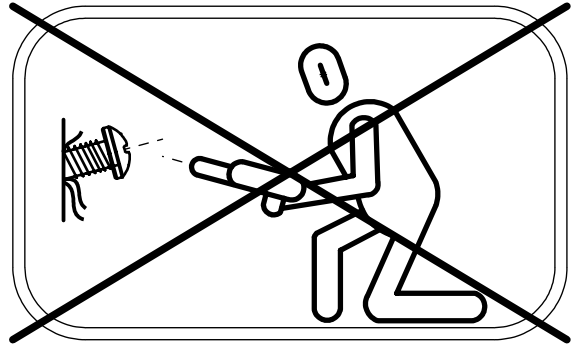
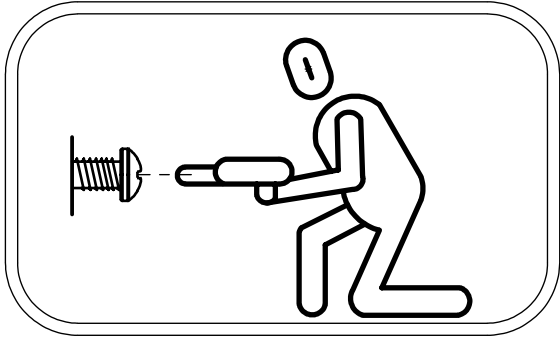


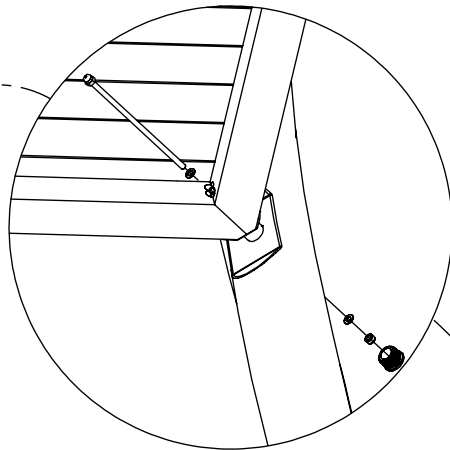
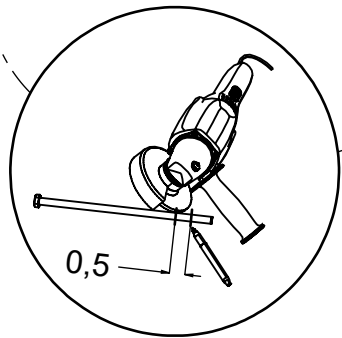
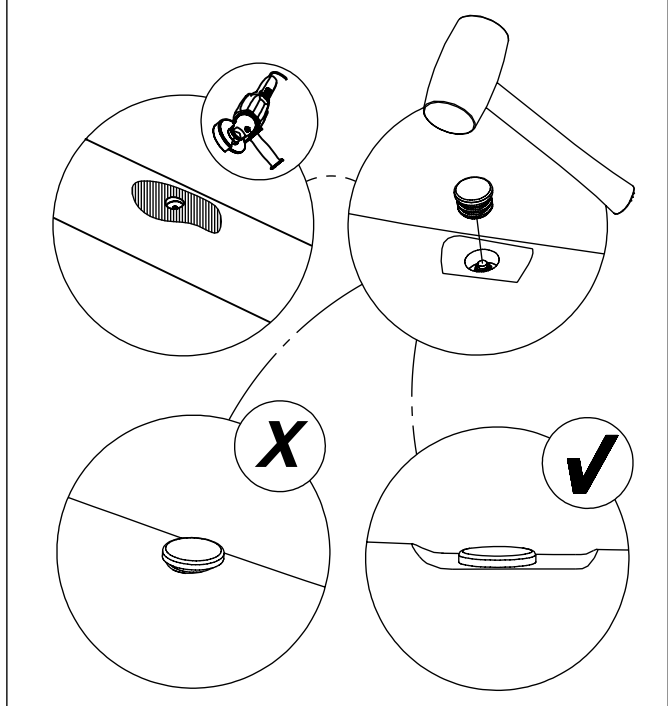
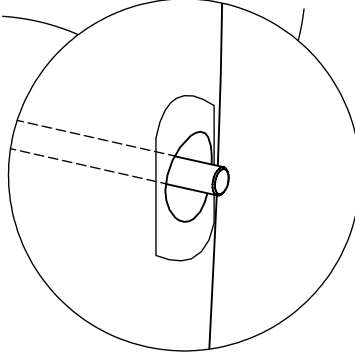
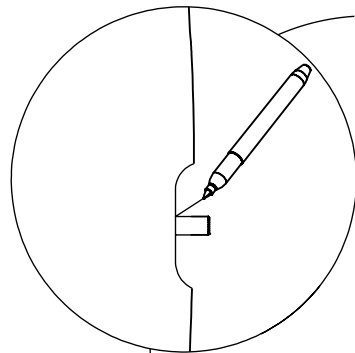
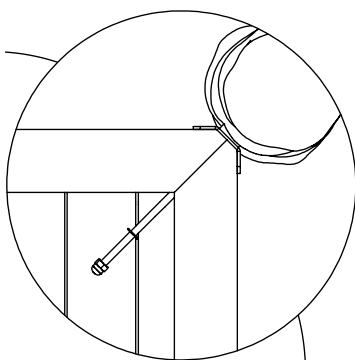
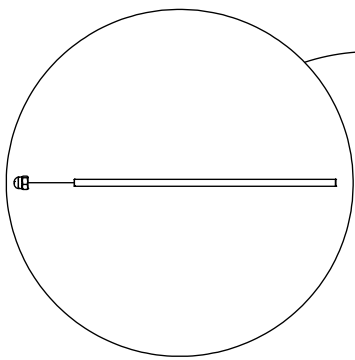
121117  
x12

2x	12e003
1x	12e009
1x	12e010
1x	12e012
4x	12e007
2x	12e020
1x	b439
1x	V001

24x	8x50sxi
52x	5x50sxs
29x	5x80 sxs
6x	8x160 sxt

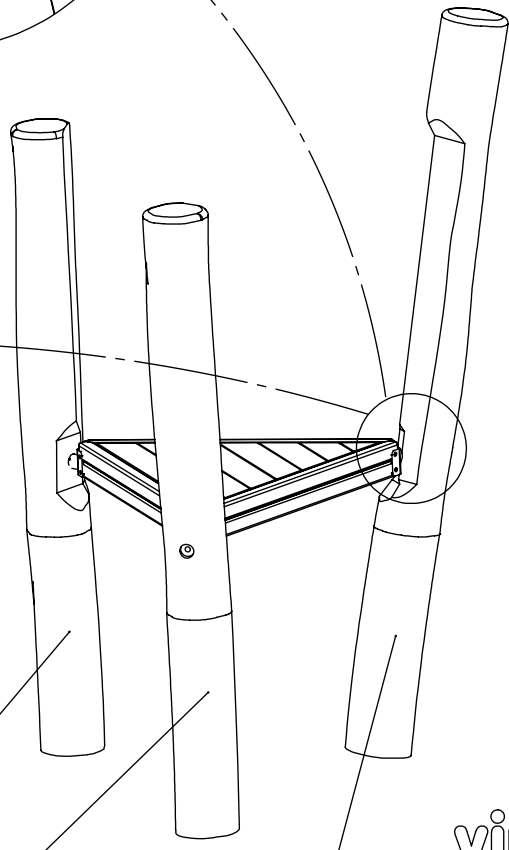
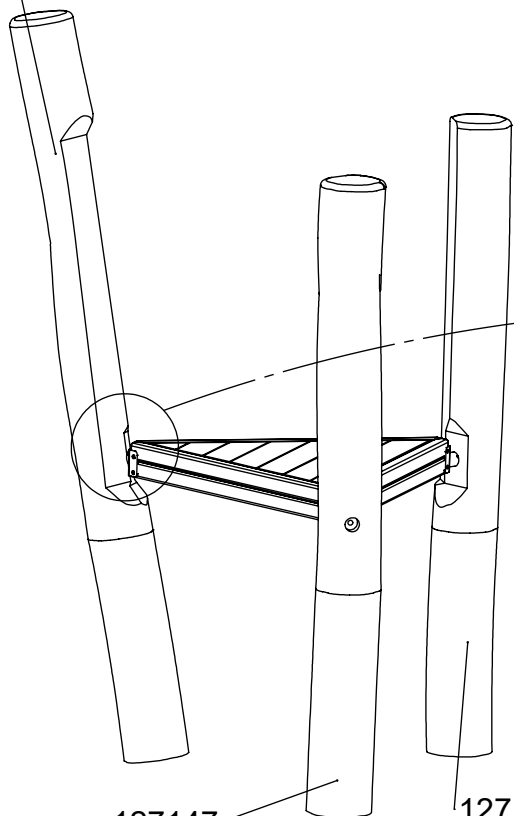






127143

2x 12e003



[cm]

127147

127144

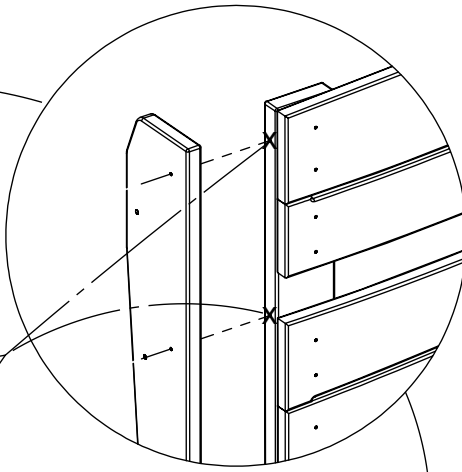
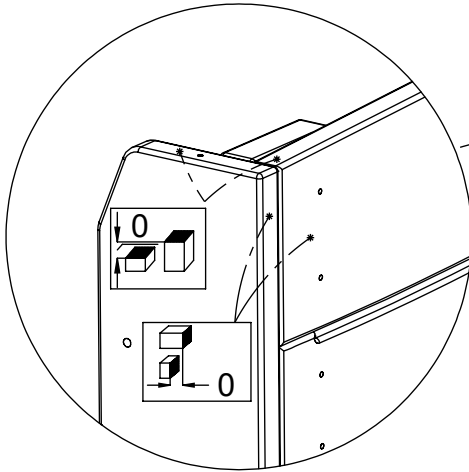
127147

127144

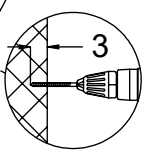
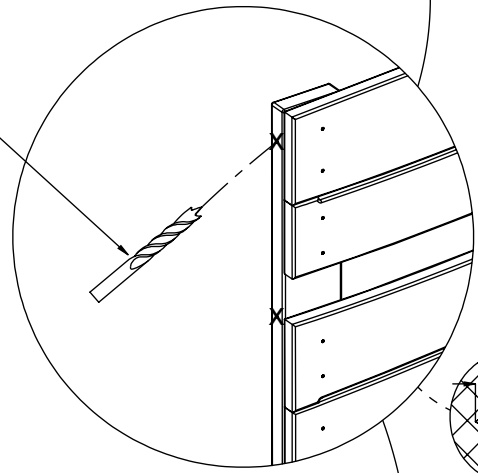
127143

vinci play

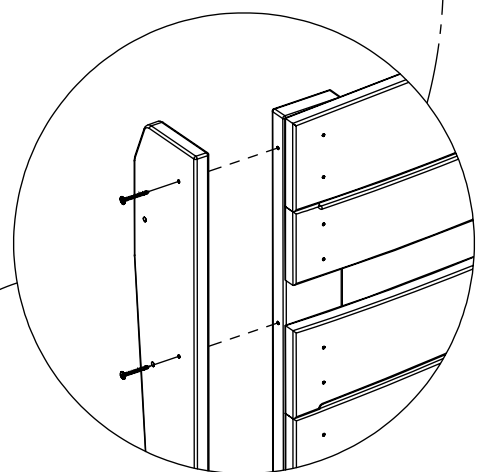
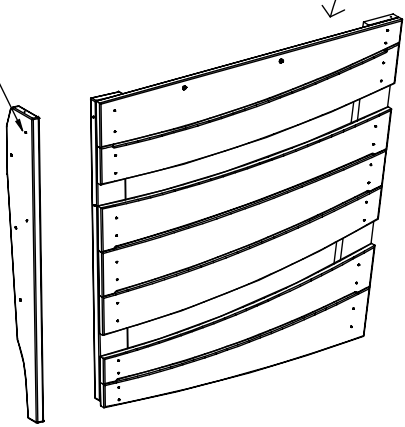
4x



Ø 3.5 mm



128249  
128137

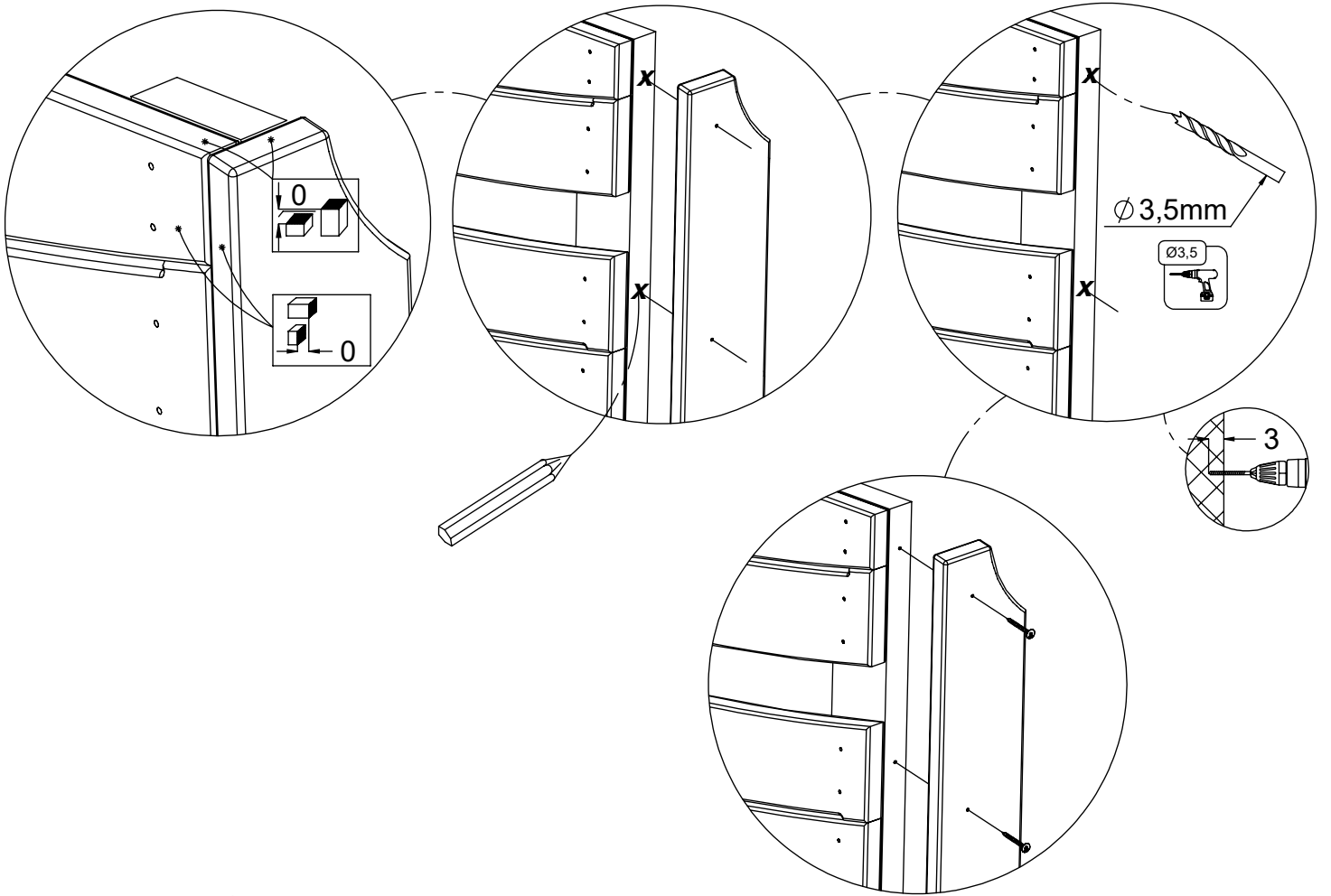


4x 5x50 sxs

[cm]

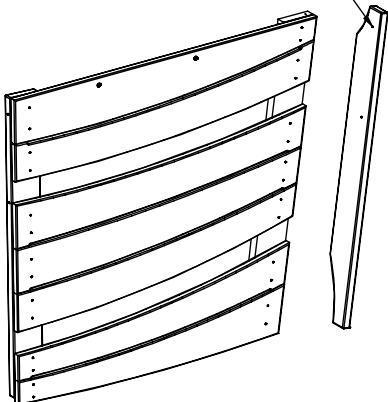
vinci  
play

4x



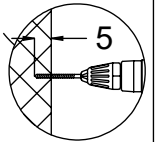
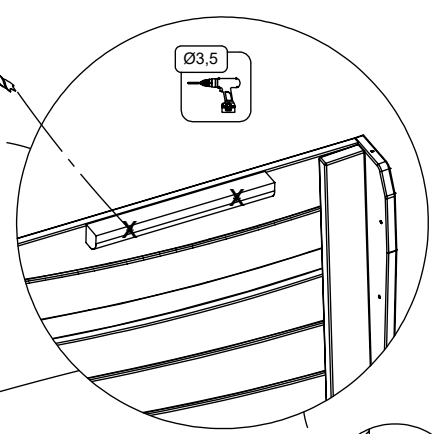
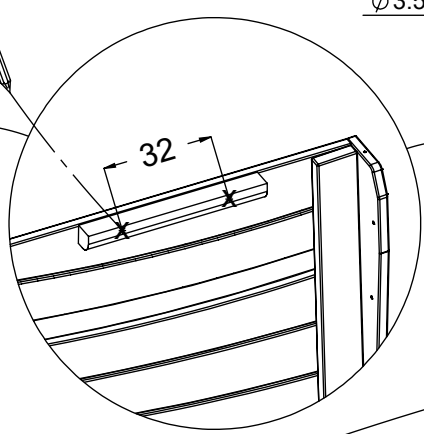
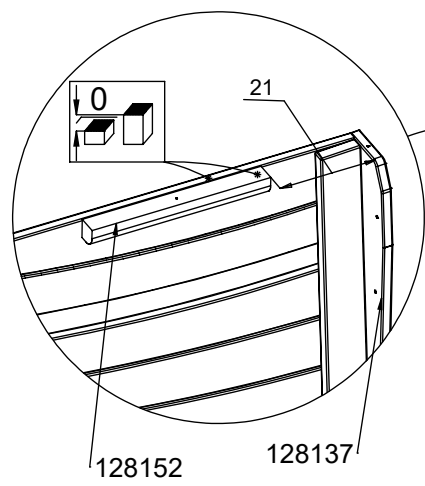
128250  
128165

4x 5x50 sxs



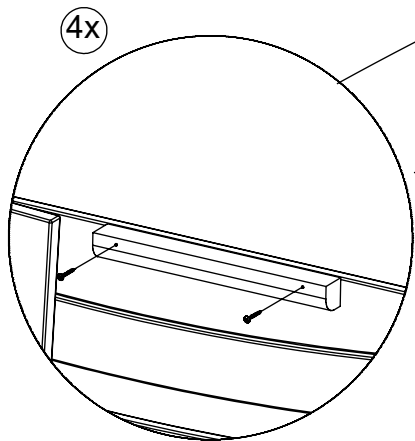
[cm]

vinci  
play

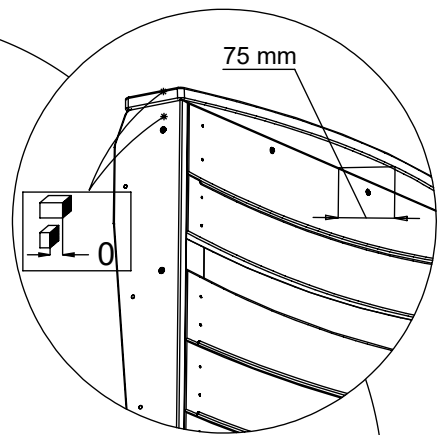
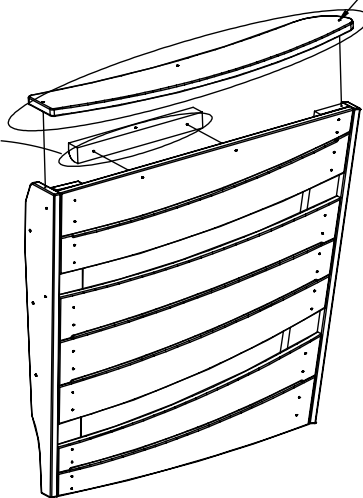


128152 128137

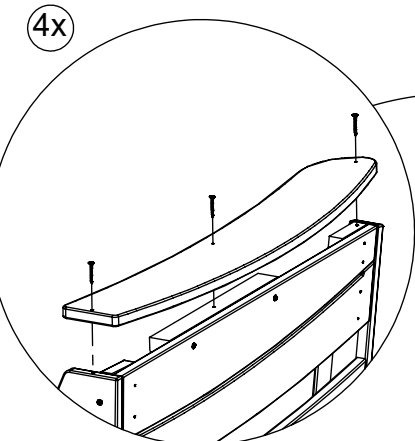
128248  
128140



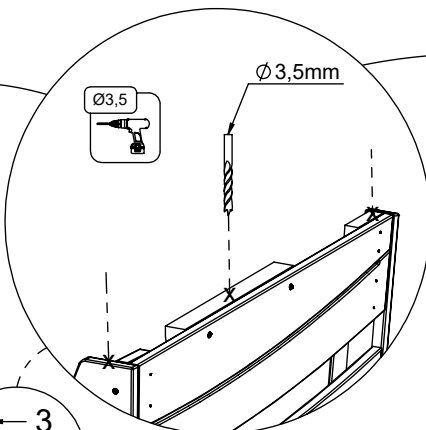
2x 5x50 sxs



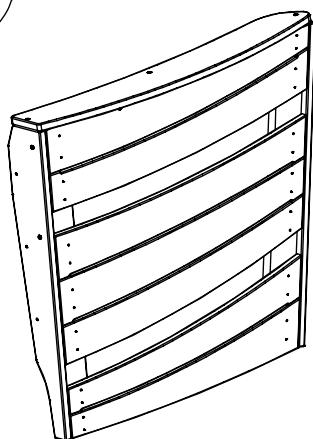
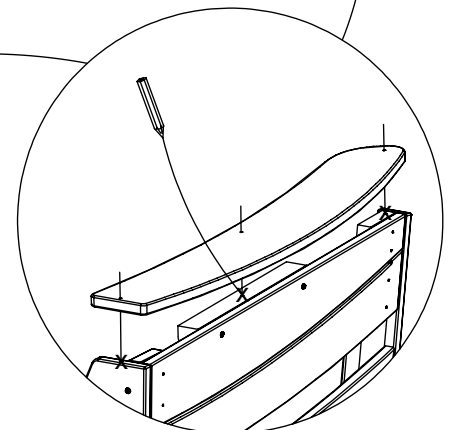
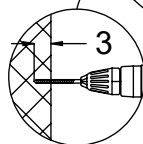
75 mm



3x 5x50 sxs

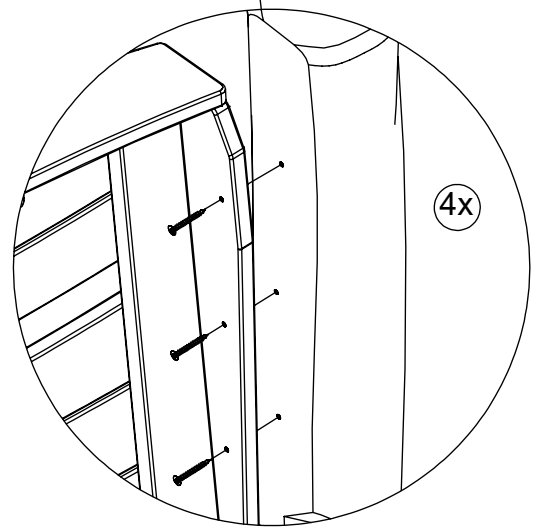
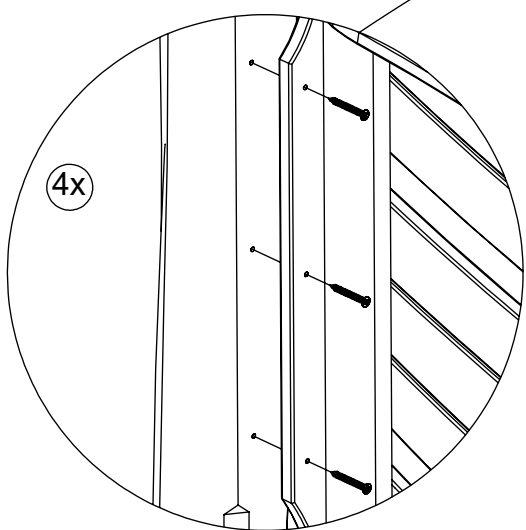
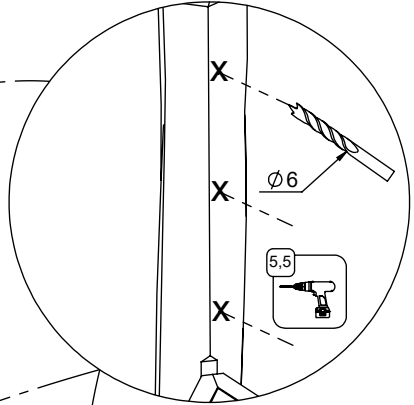
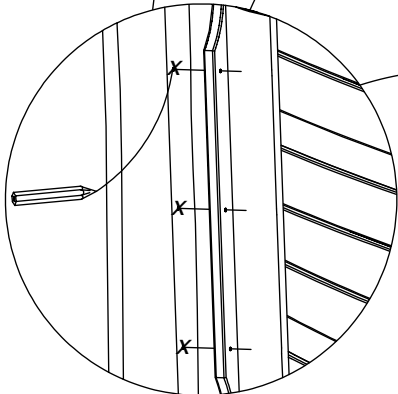
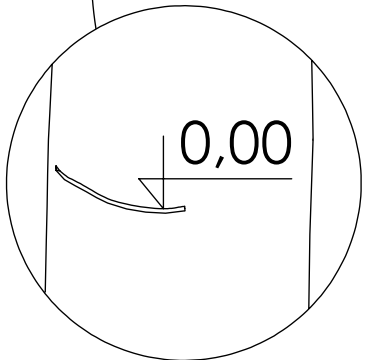
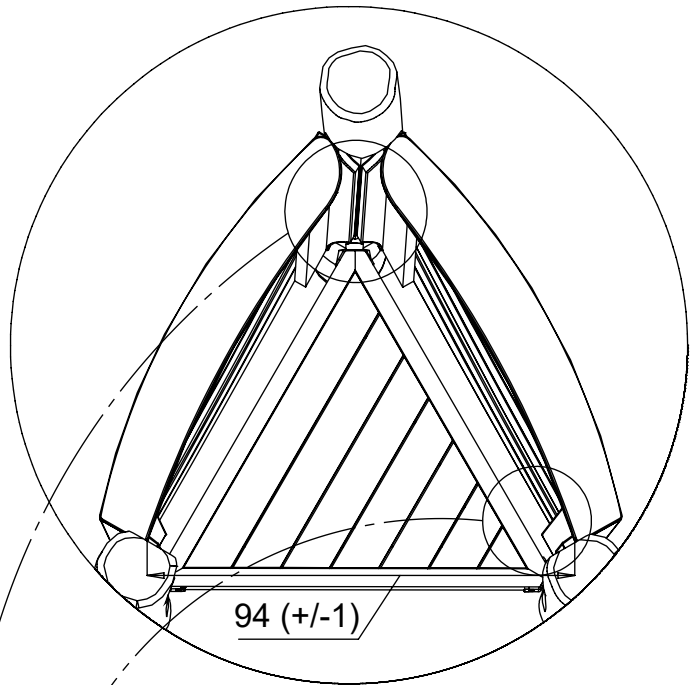
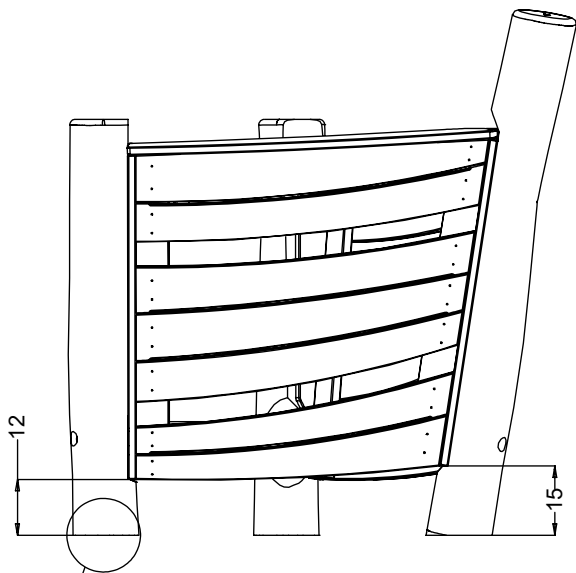


Ø3,5mm



[cm]

vinci  
play

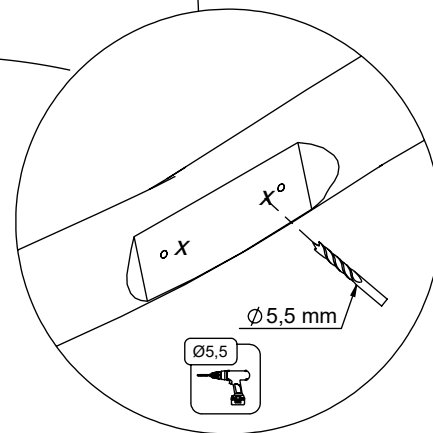
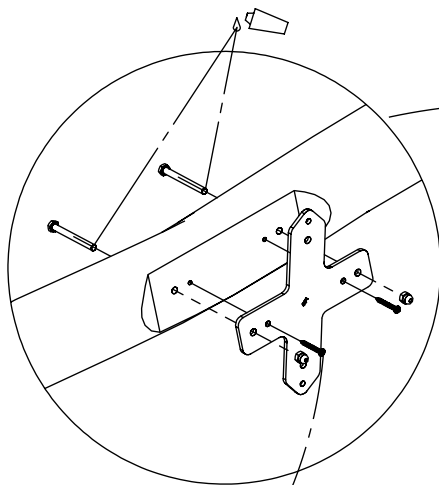
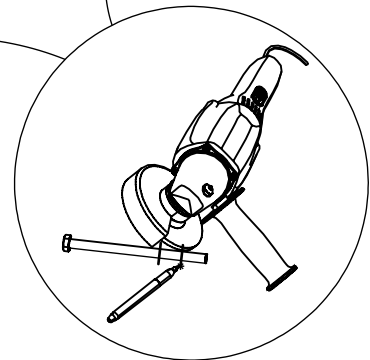
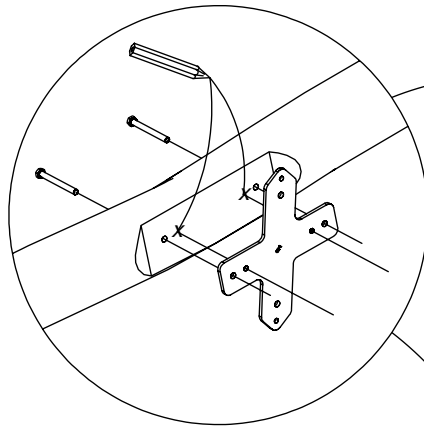
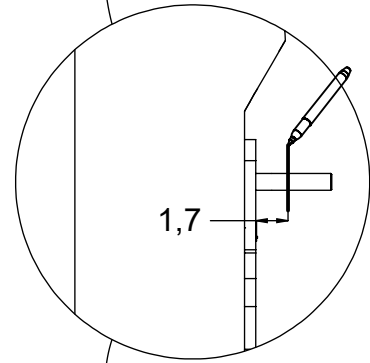
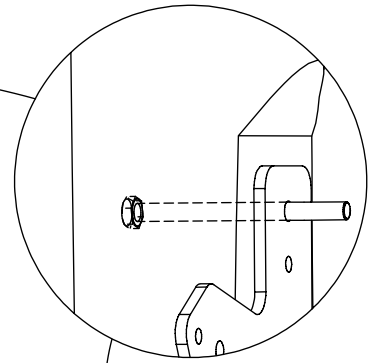
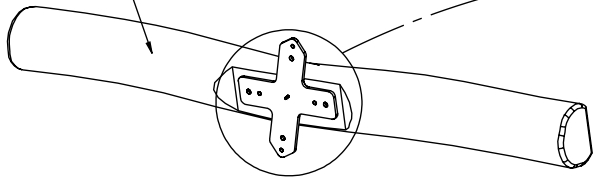


6x 5x80 sxs

[cm]

vinci  
play

127146

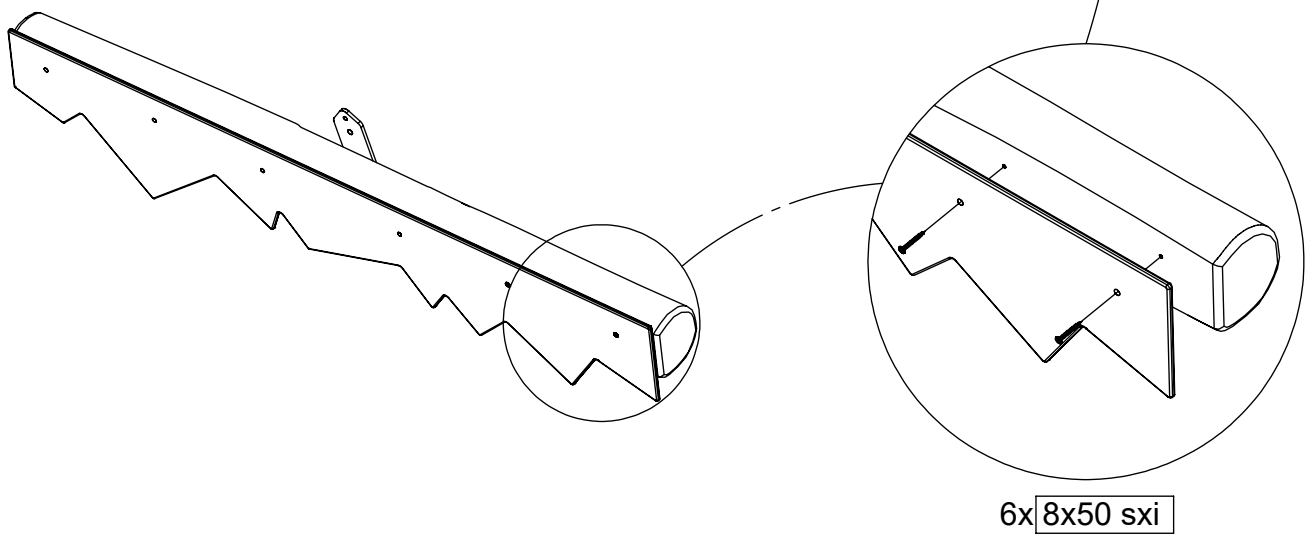
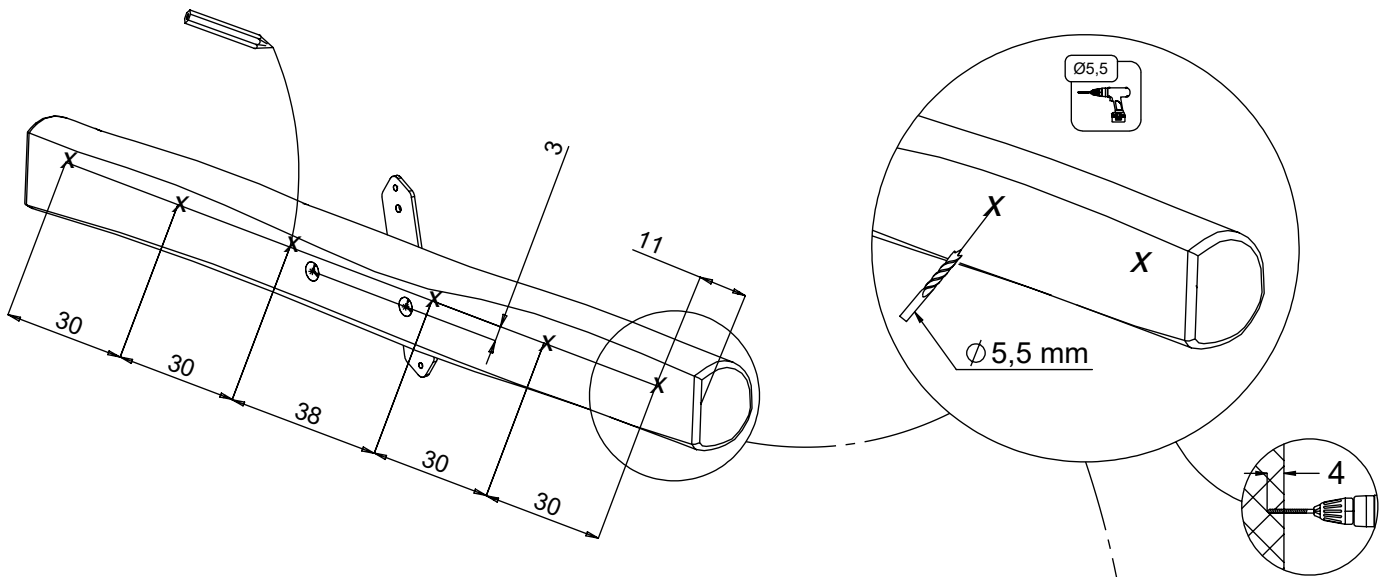


2x 8x50 sxi

12e009

[cm]

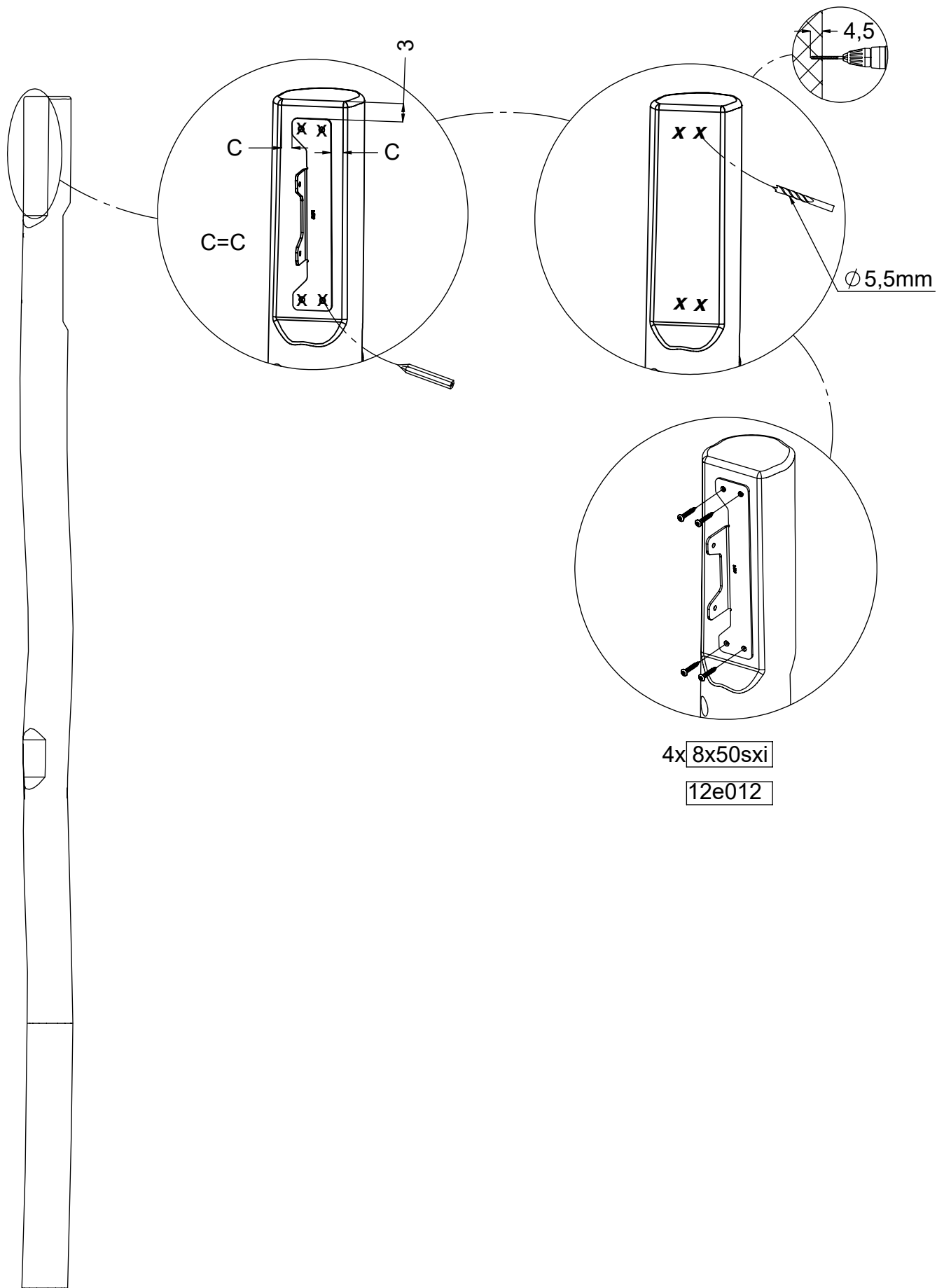
vinci  
play



[cm]

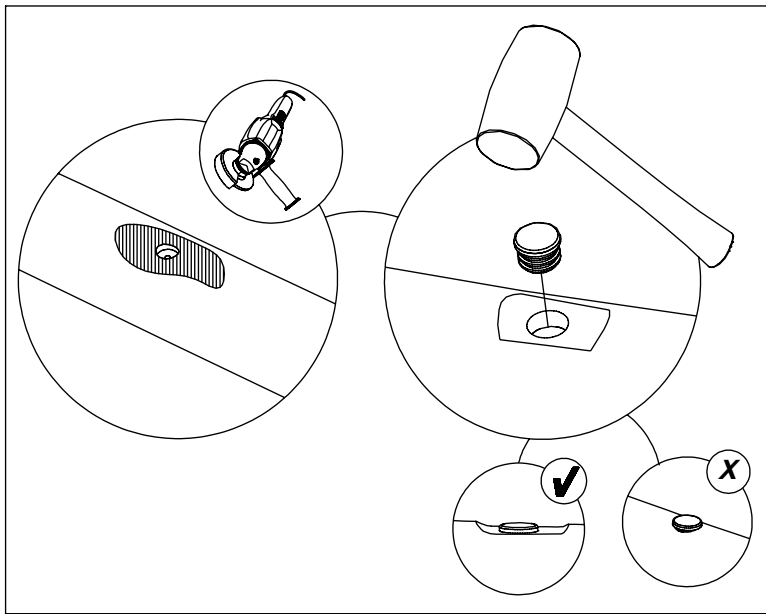
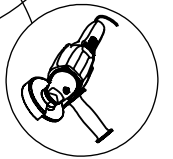
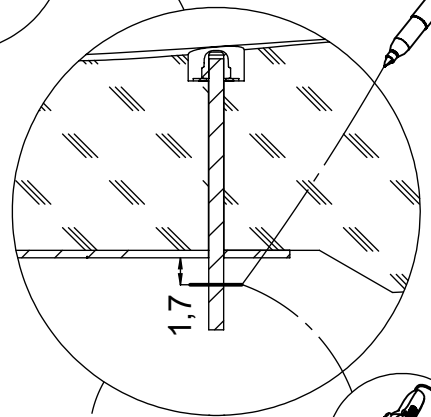
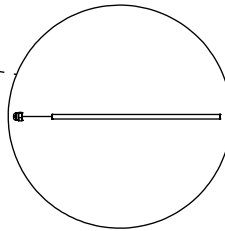
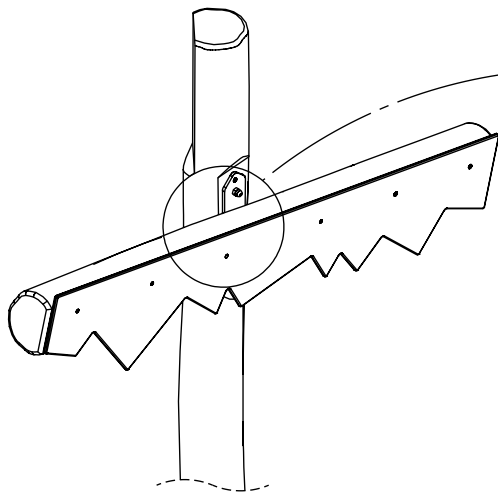
vinci  
play





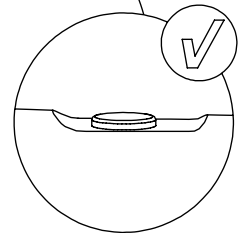
4x 8x50sxi

12e012

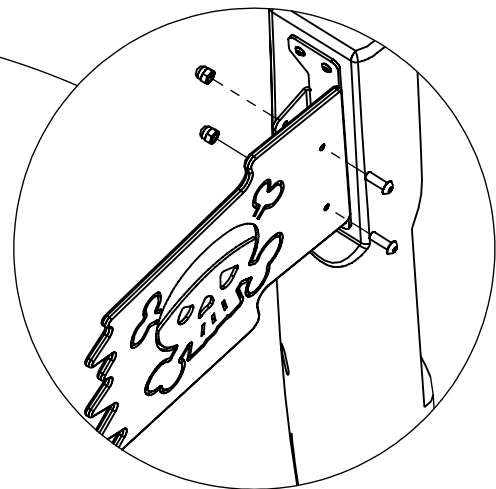
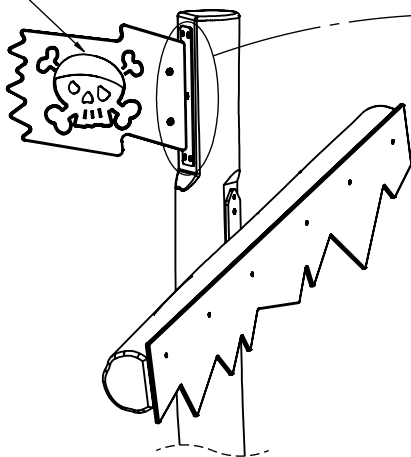


2x 8x50sxi

1x 12e009



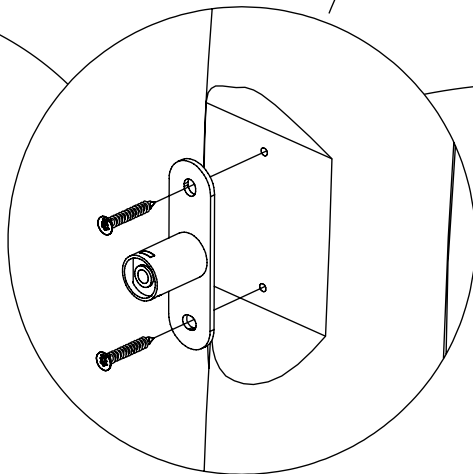
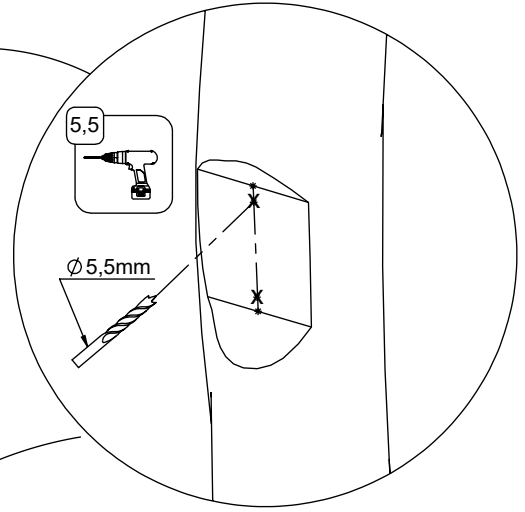
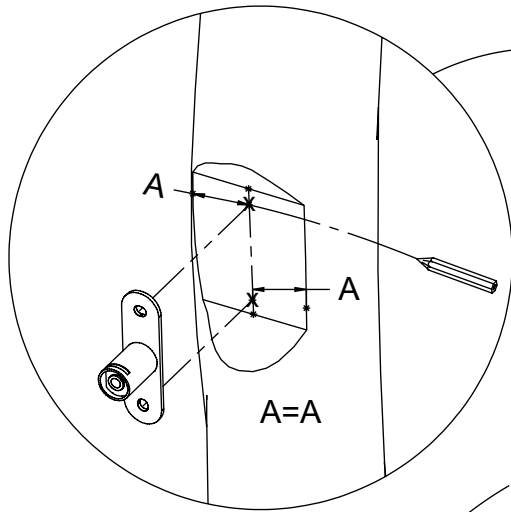
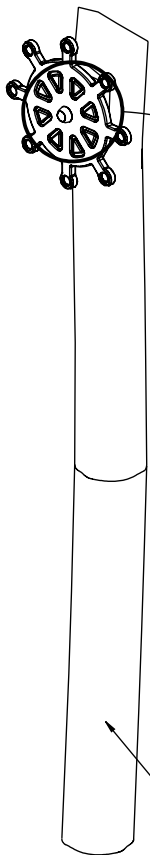
121111



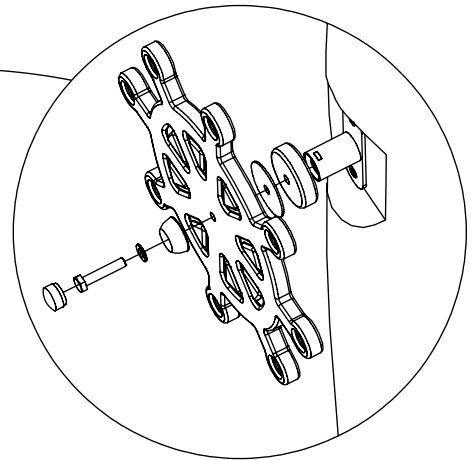
1x 12e012

[cm]

vinci  
play

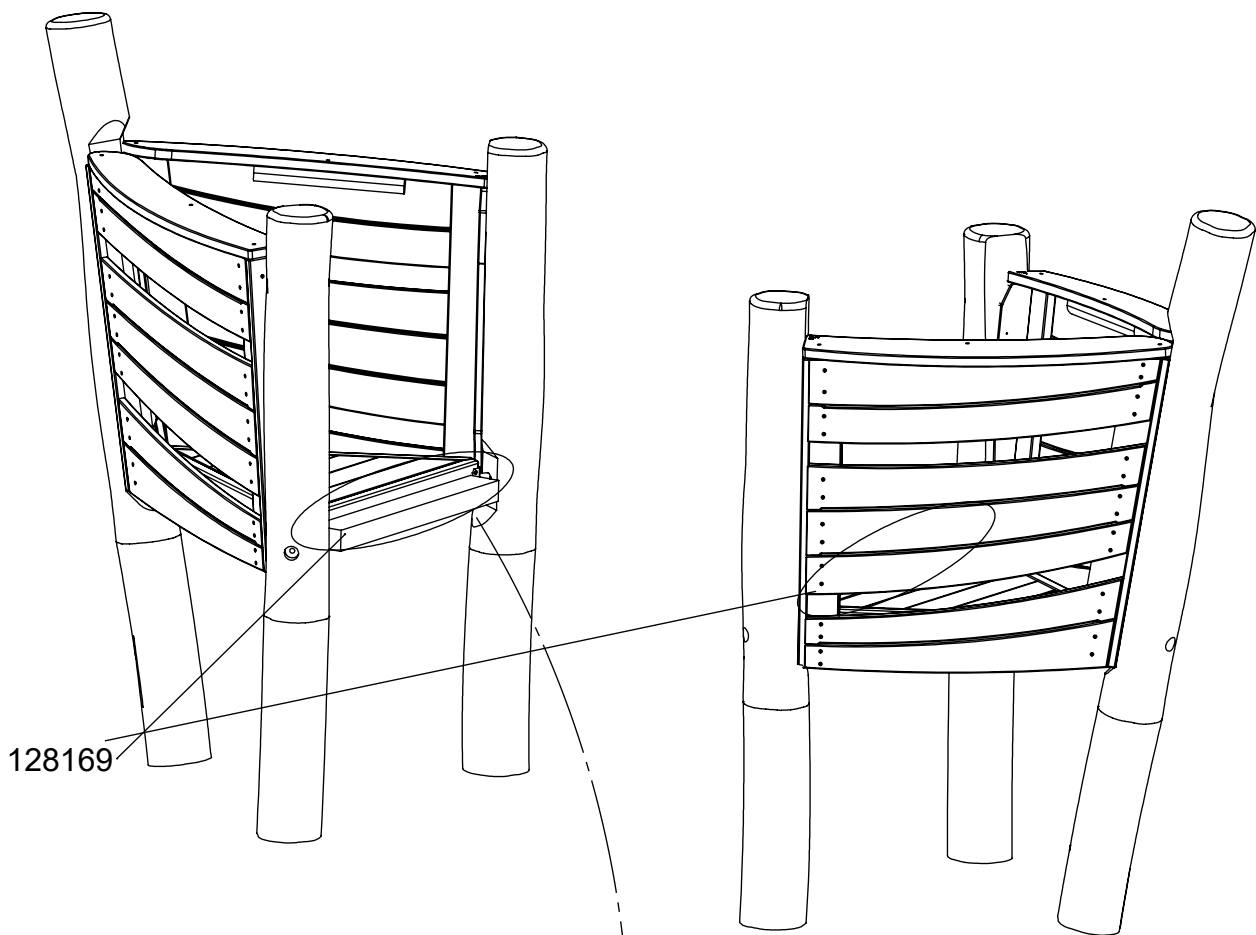


2x 8x50 sxi



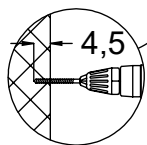
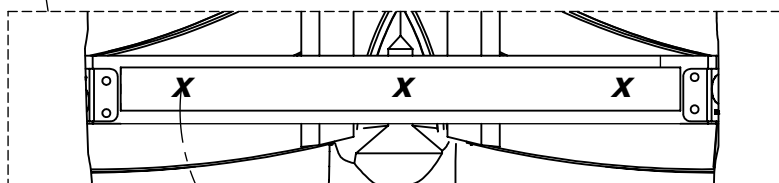
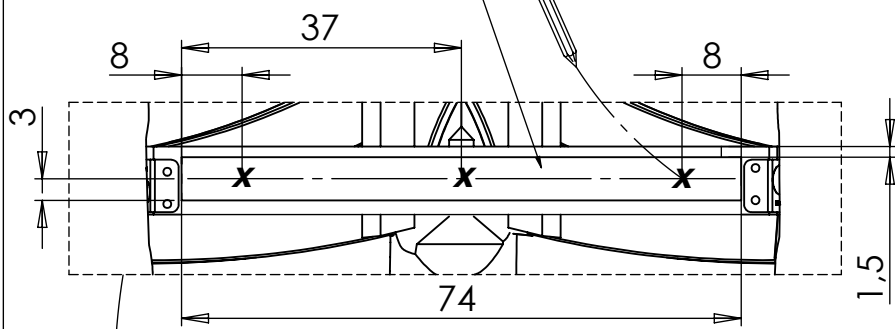
1x 12e010

127145

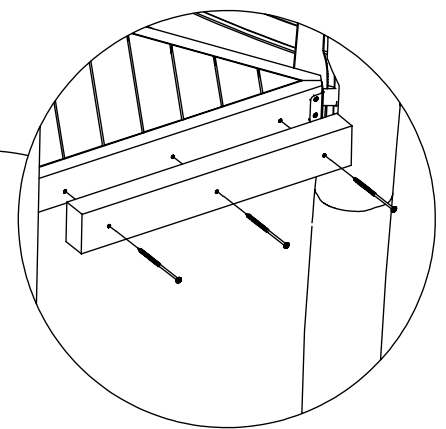


128169

2x 128169



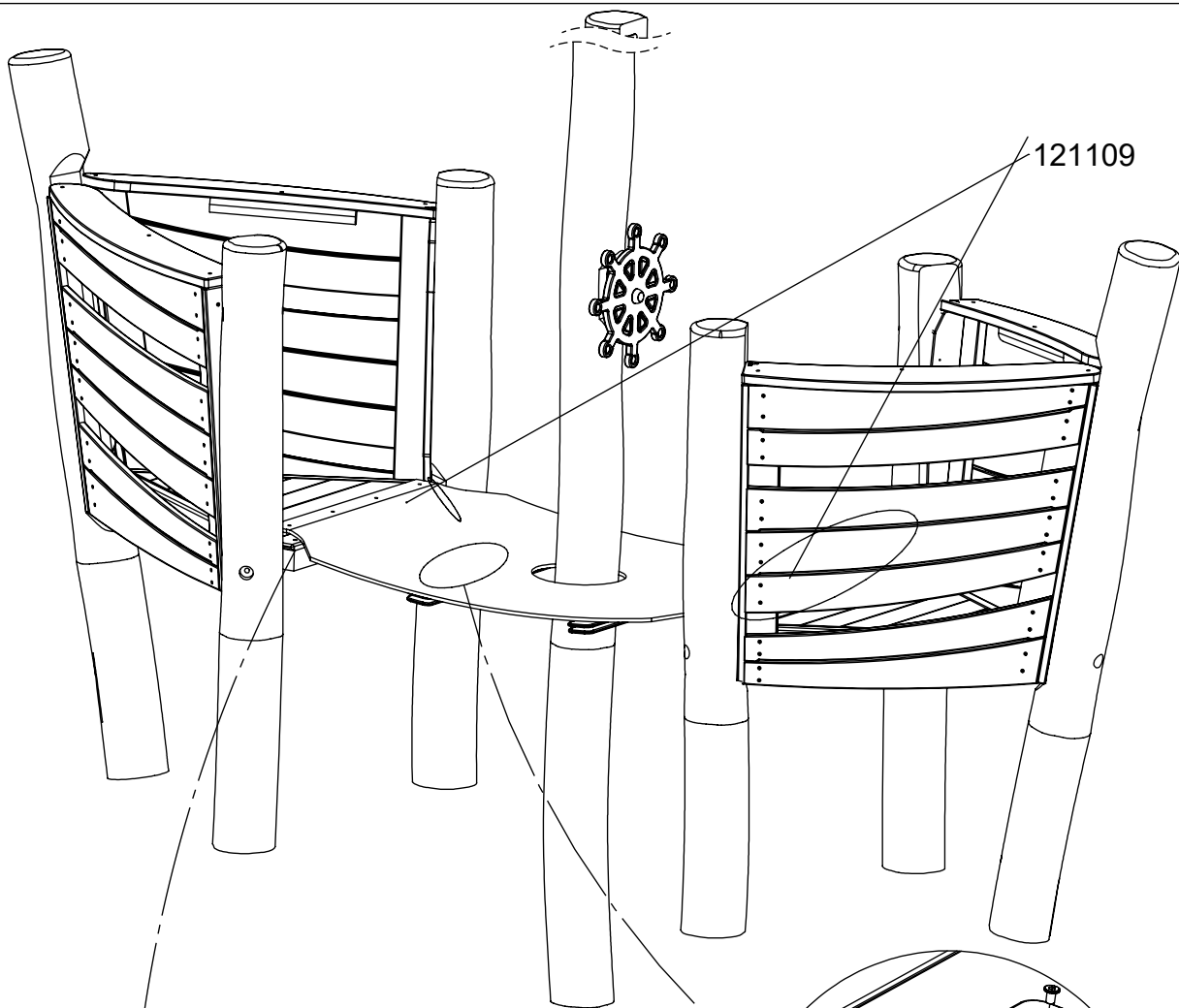
Ø 5,5mm



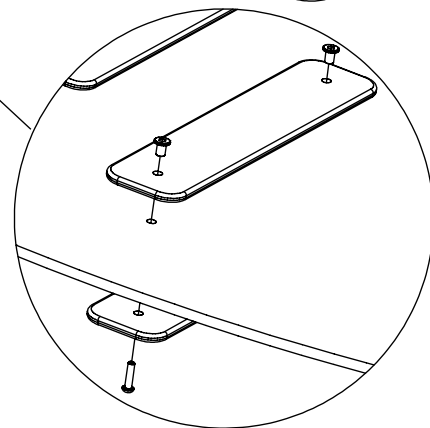
6x 8x160 sxt

[cm]

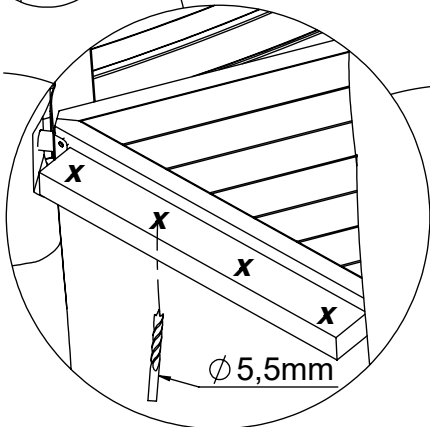
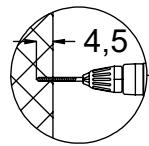
vinci  
play



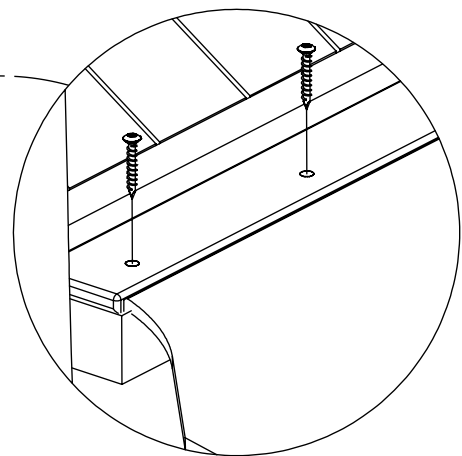
121109



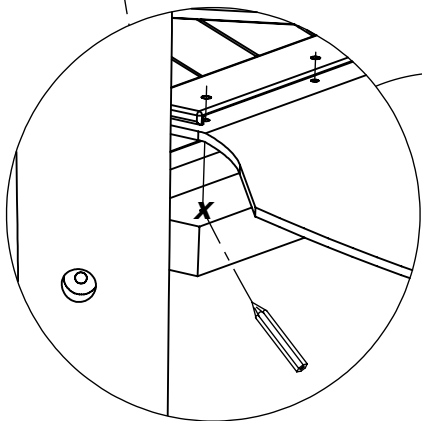
2x 12e020



$\phi 5,5\text{mm}$

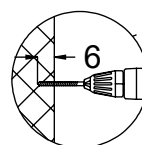
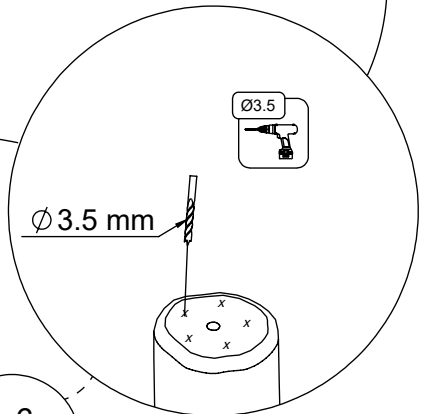
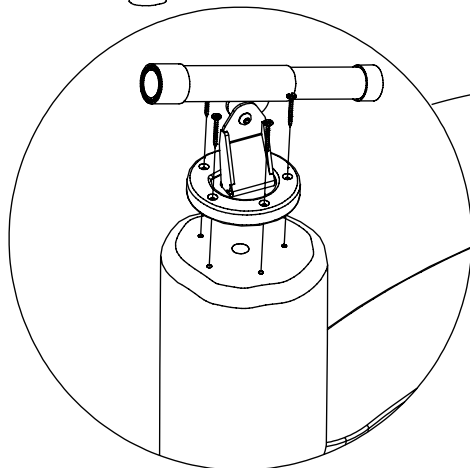
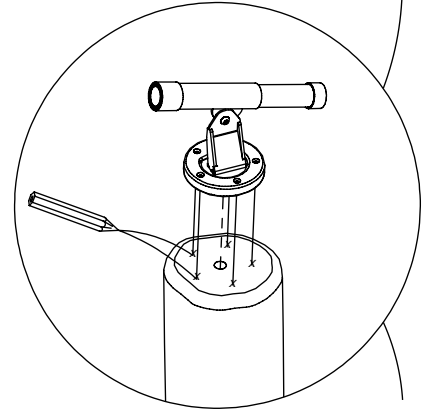
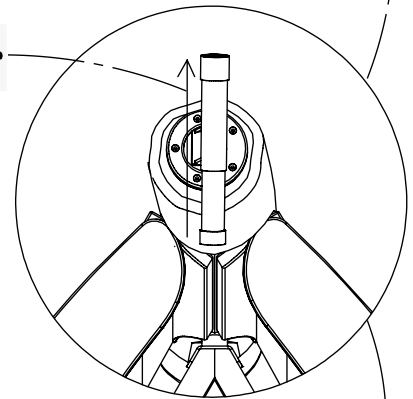
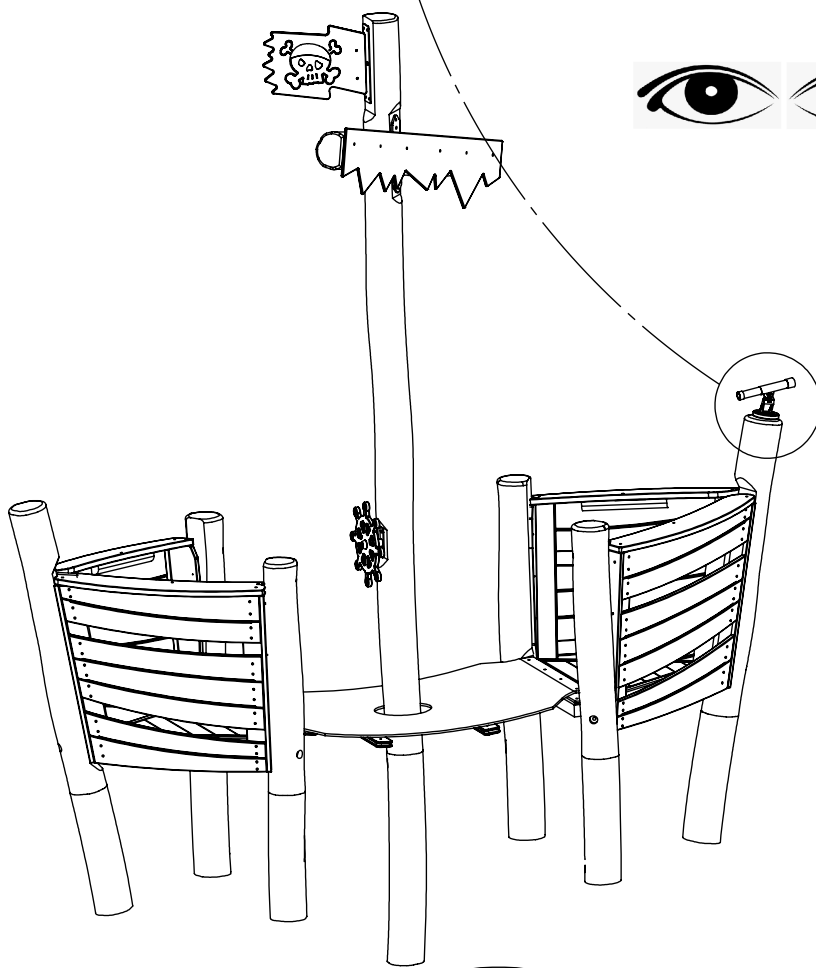
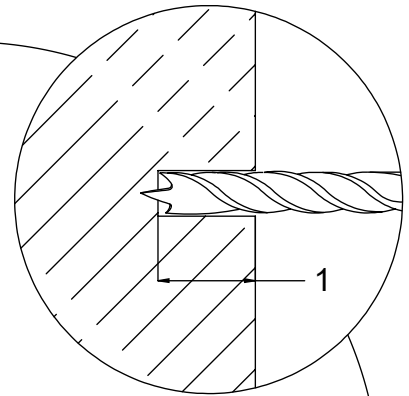
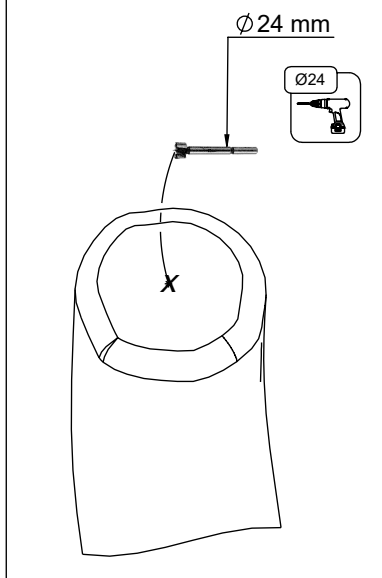
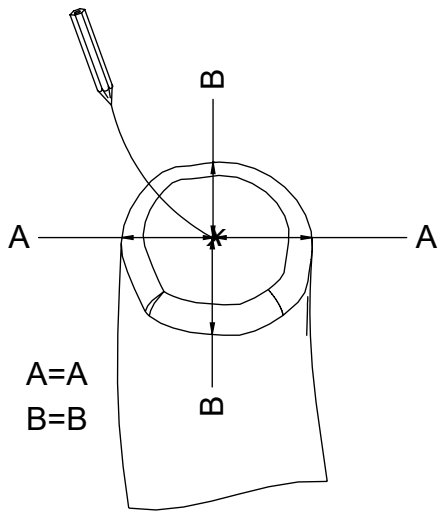


8x 8x50sxi



[cm]

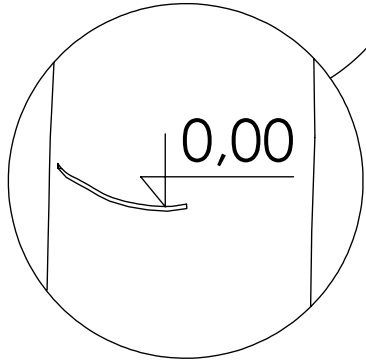
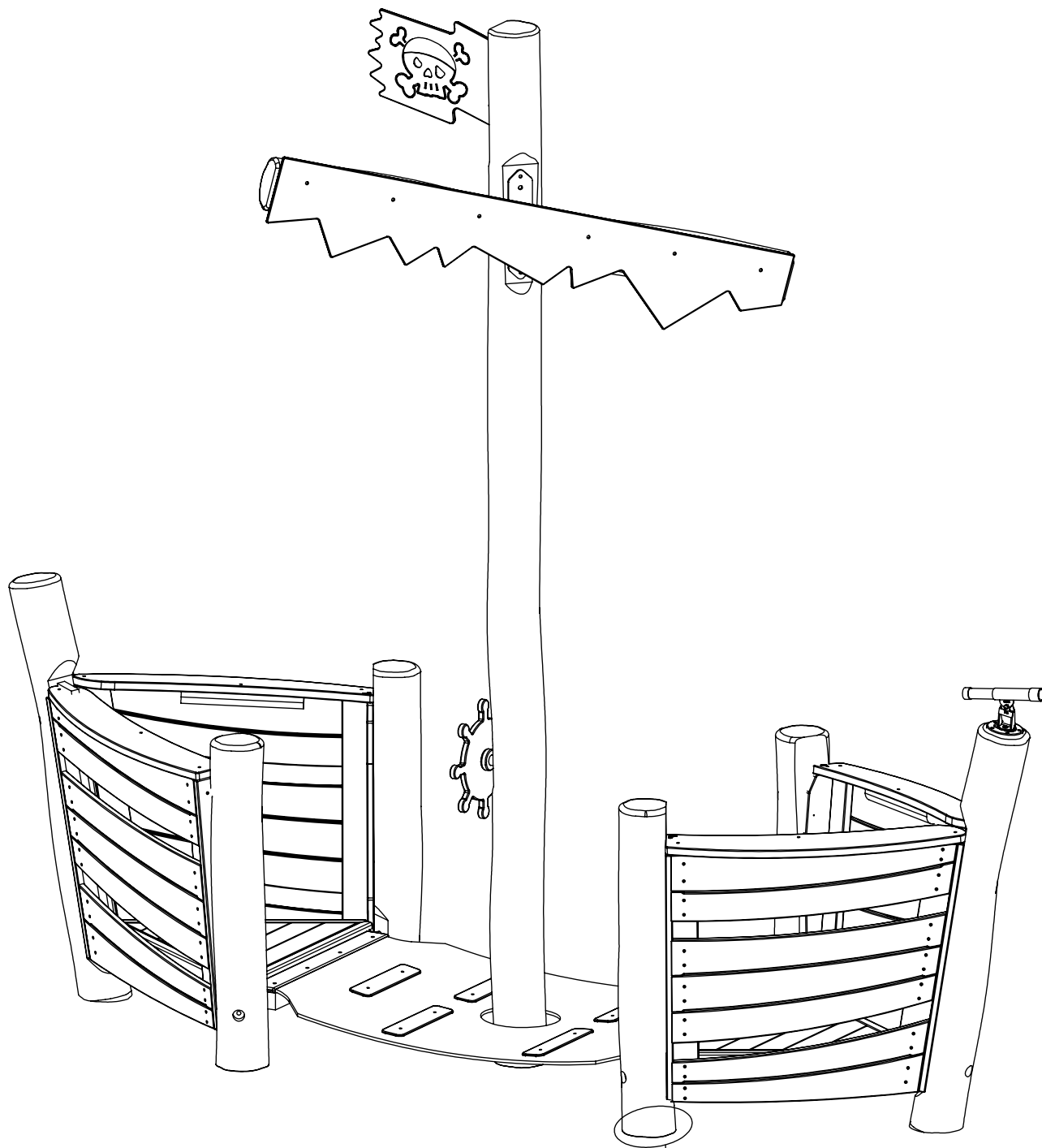
vinci  
play



5x 5x80sxs

[cm]

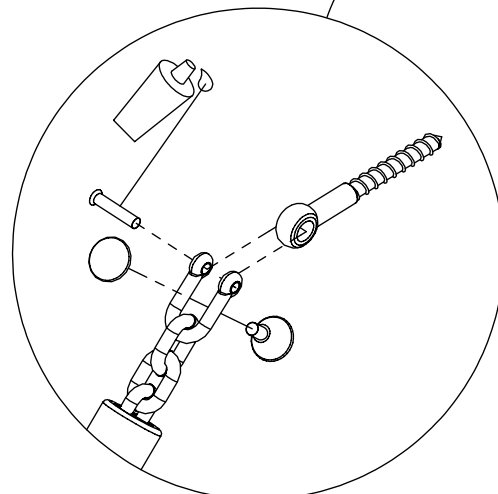
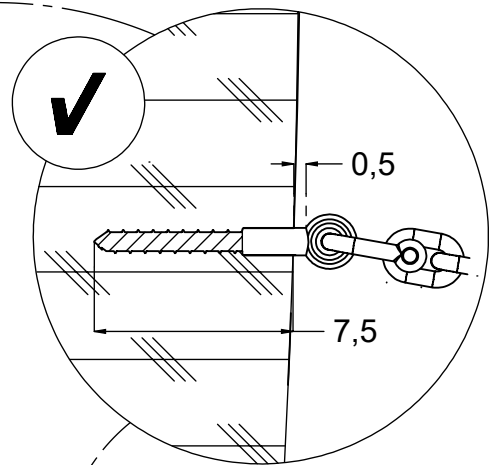
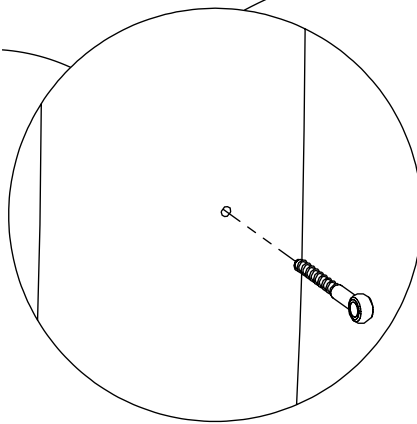
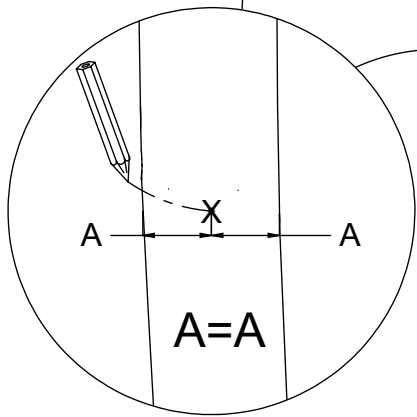
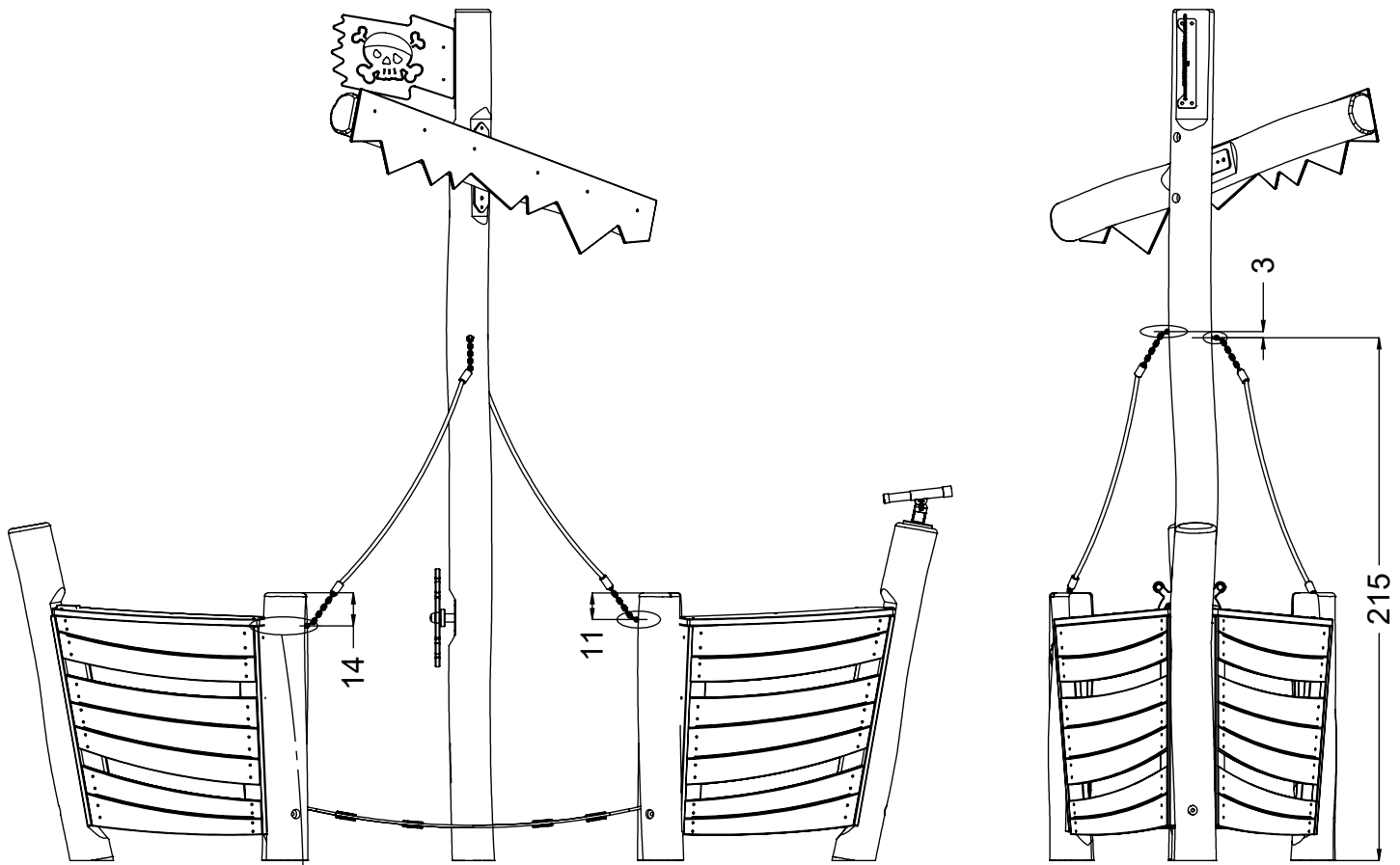
vinci  
play



**48h**

An icon of a concrete mixer truck, used to indicate a 48-hour curing time for concrete.

[cm]

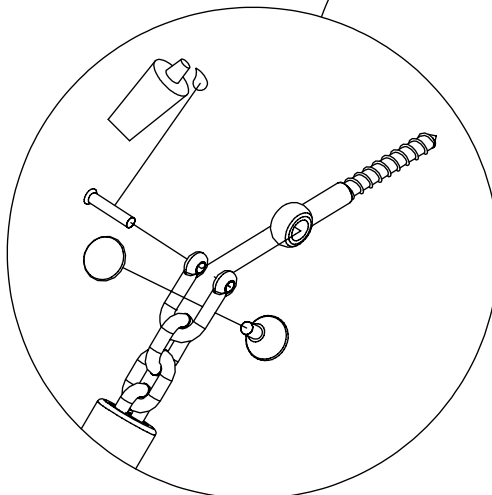
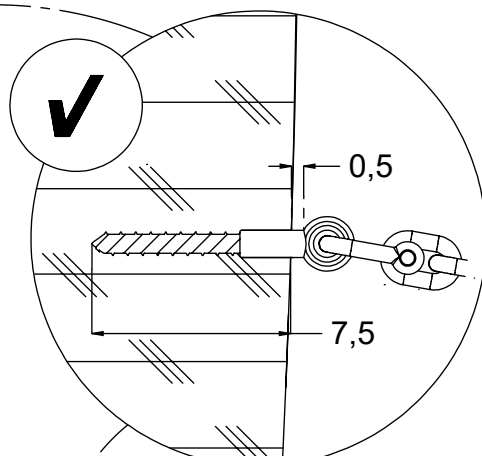
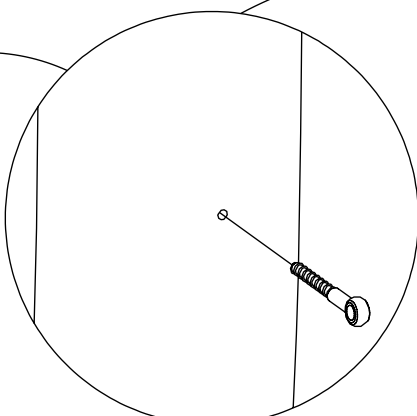
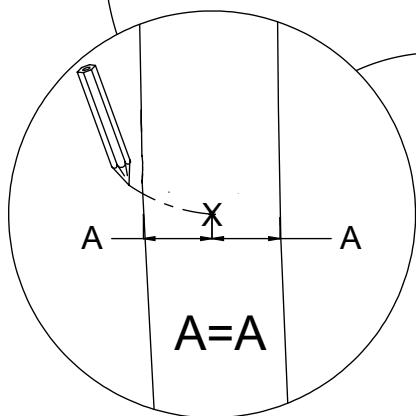
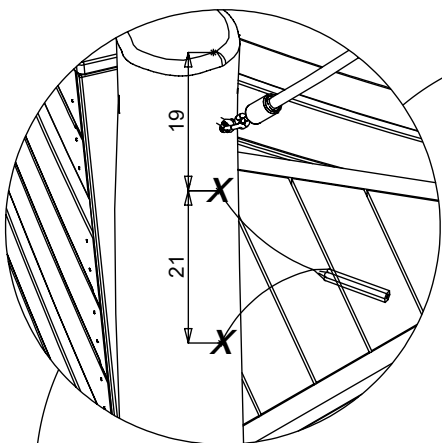
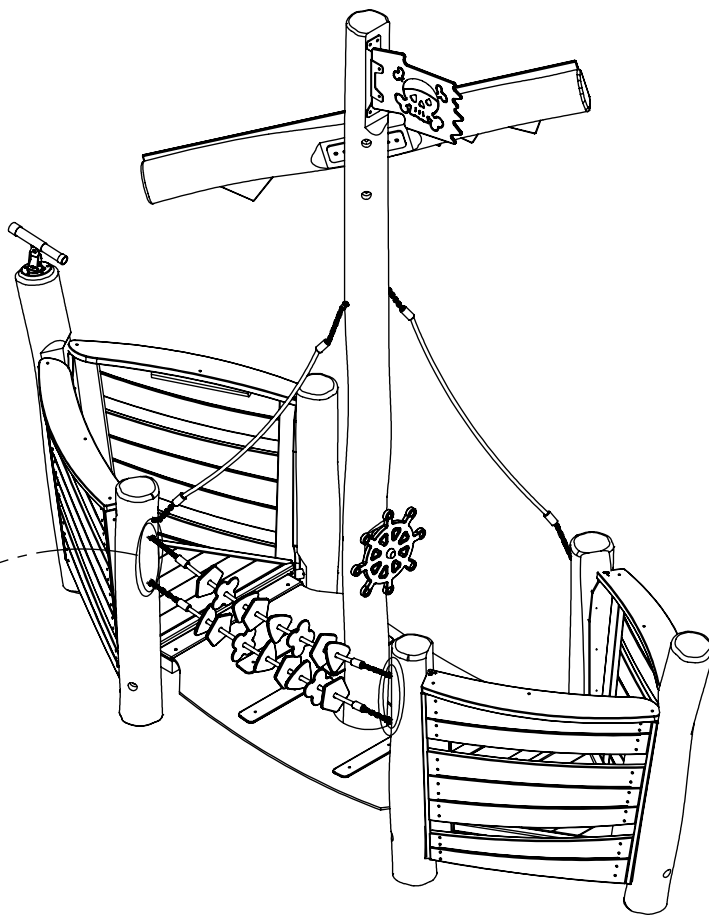


2x 12e007

[cm]

vinci  
play

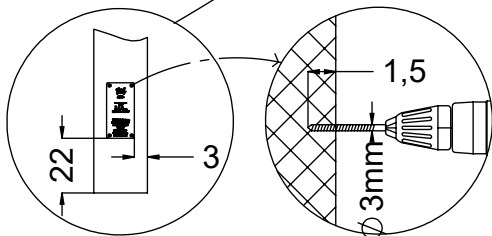
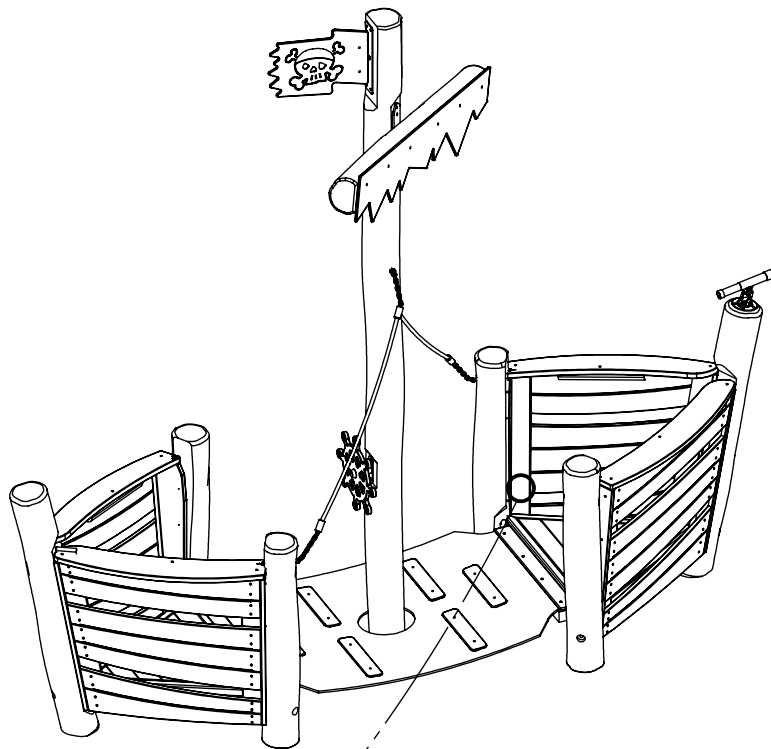




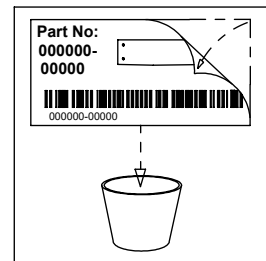
2x 12e007

[cm]

vinci  
play



V001



[cm]

vinci  
play