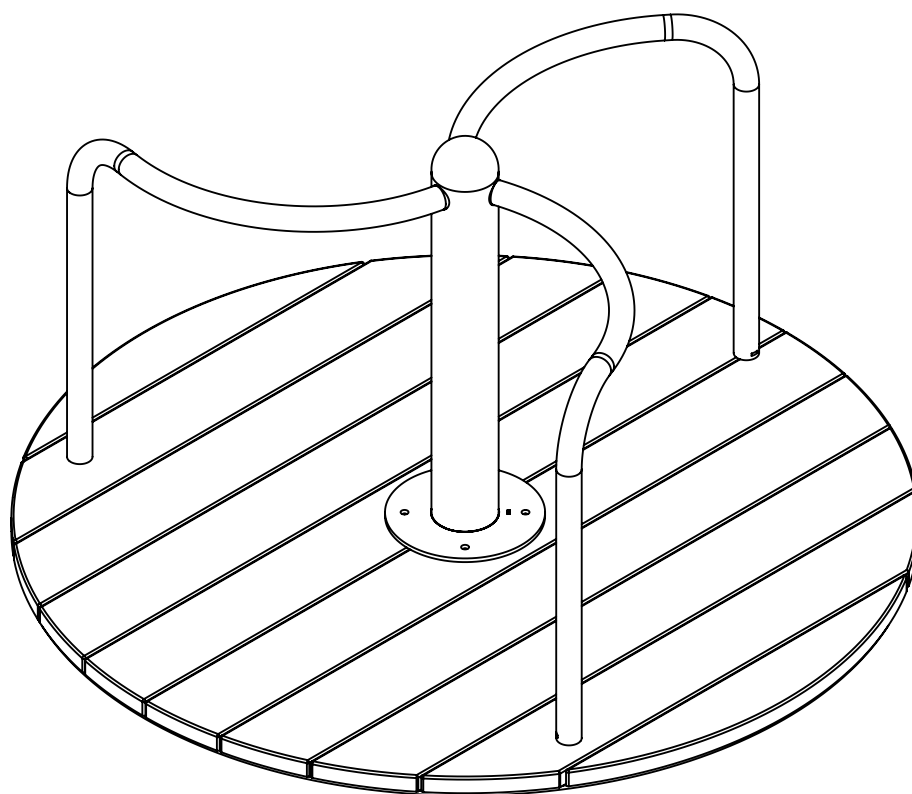
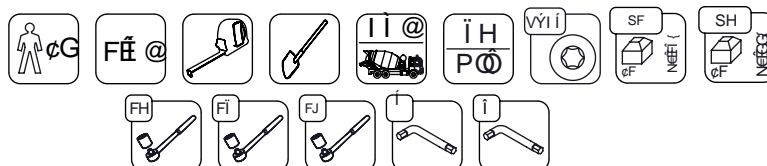


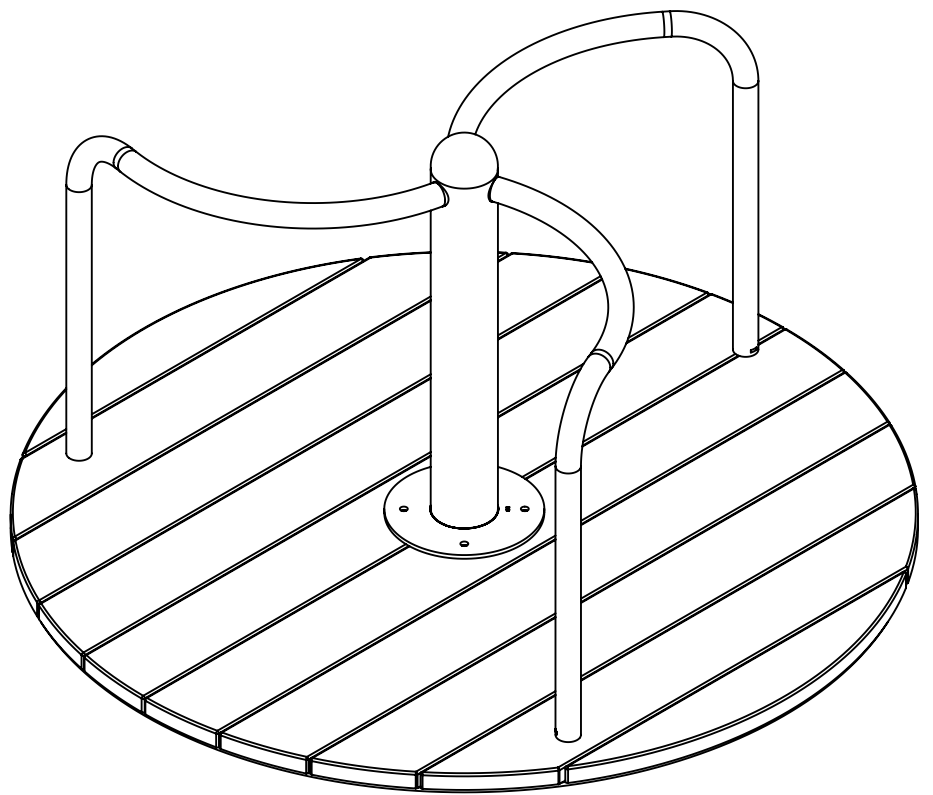
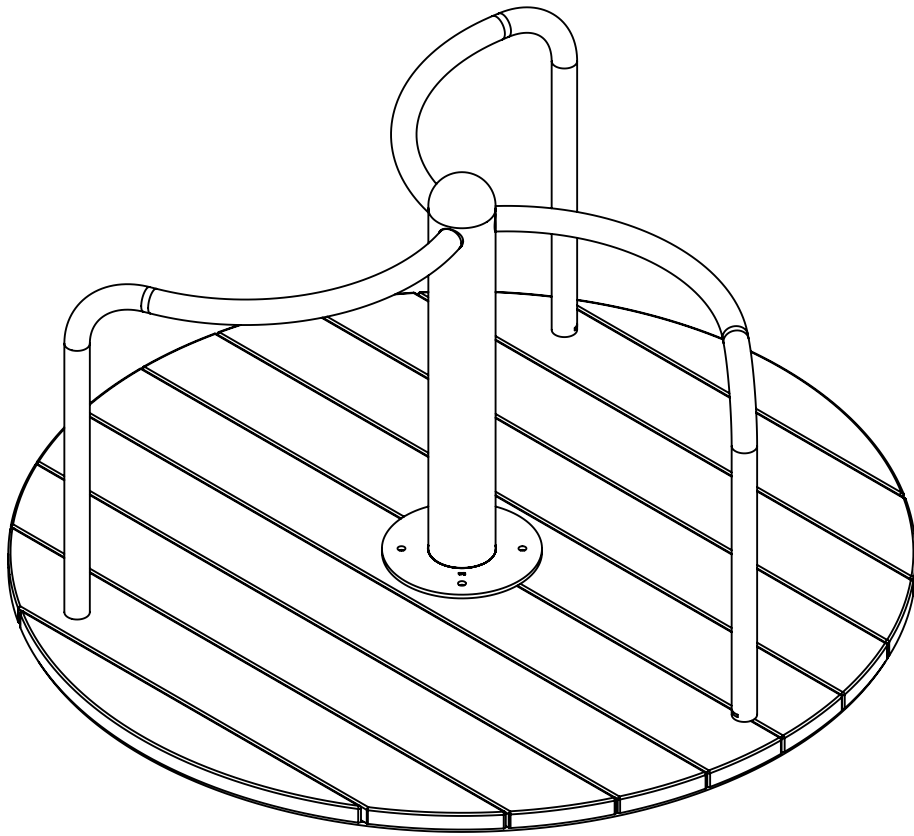
# ÜÓFHĬ G

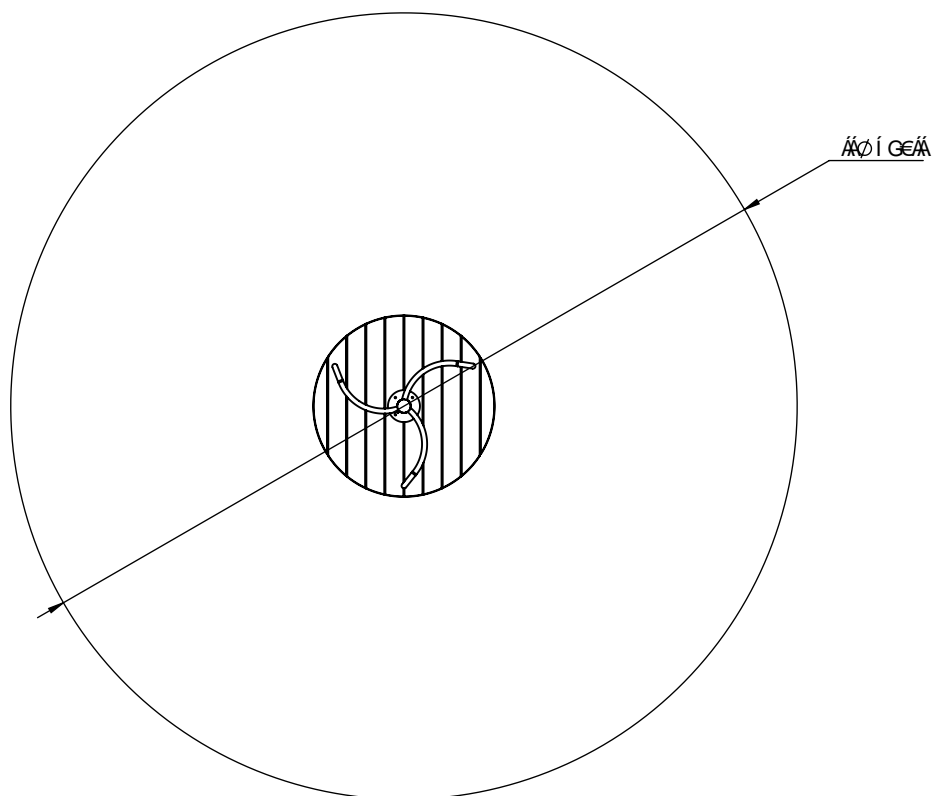
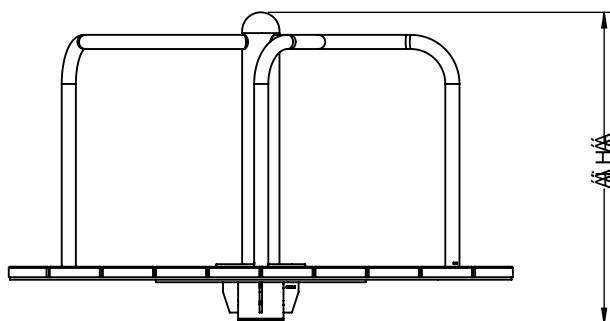
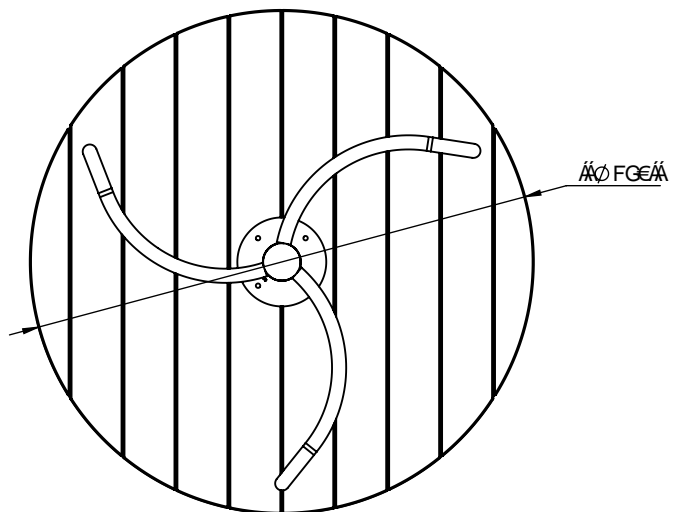


çEFE  
Eİ EÜJ EÖGE  
CHÉÉ  
žá

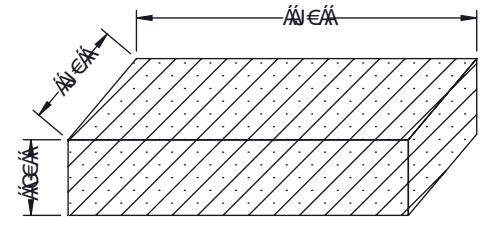
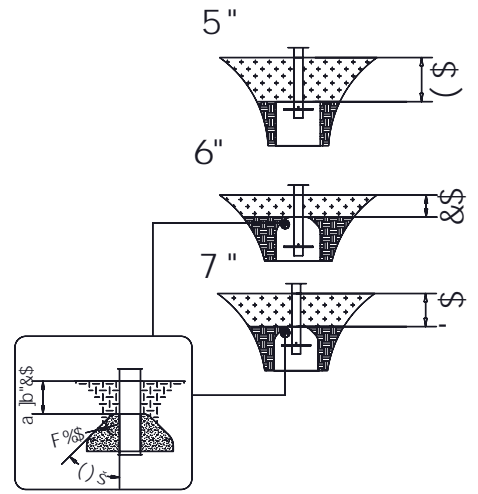
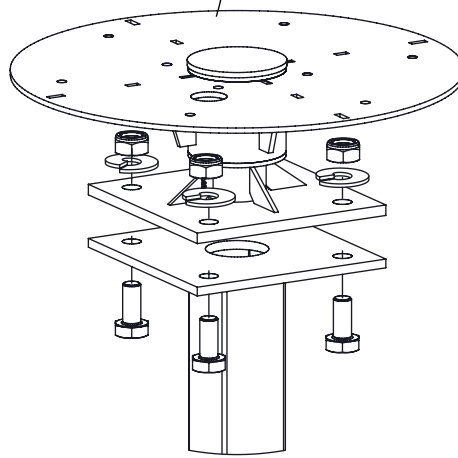
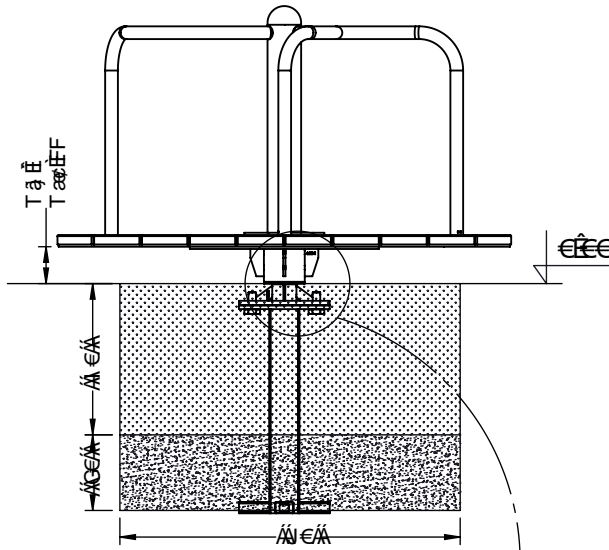


vinci  
play

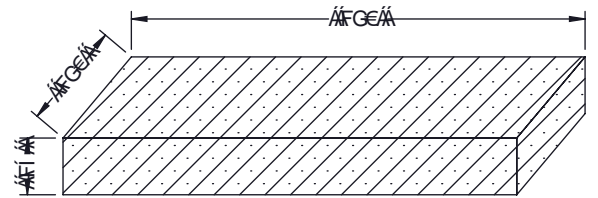
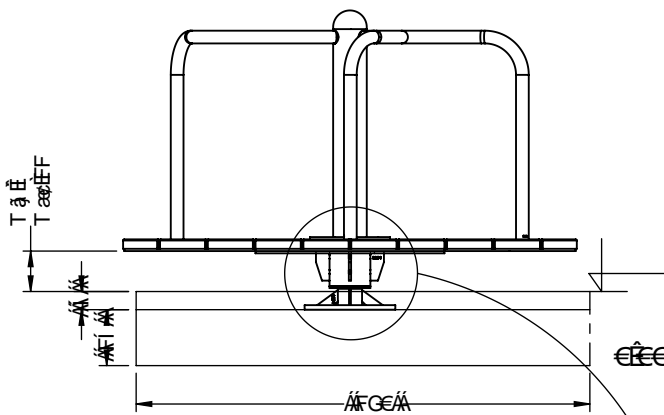







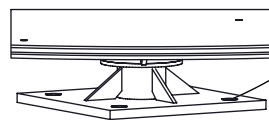
?%



?'



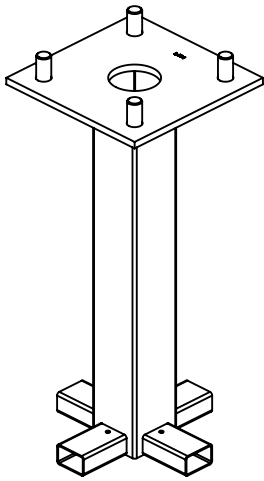
	SH
T FG FGE Ø	
BCH B7 @ 898	



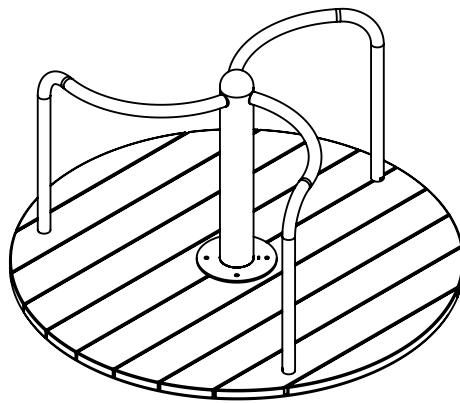
žá



vinci play

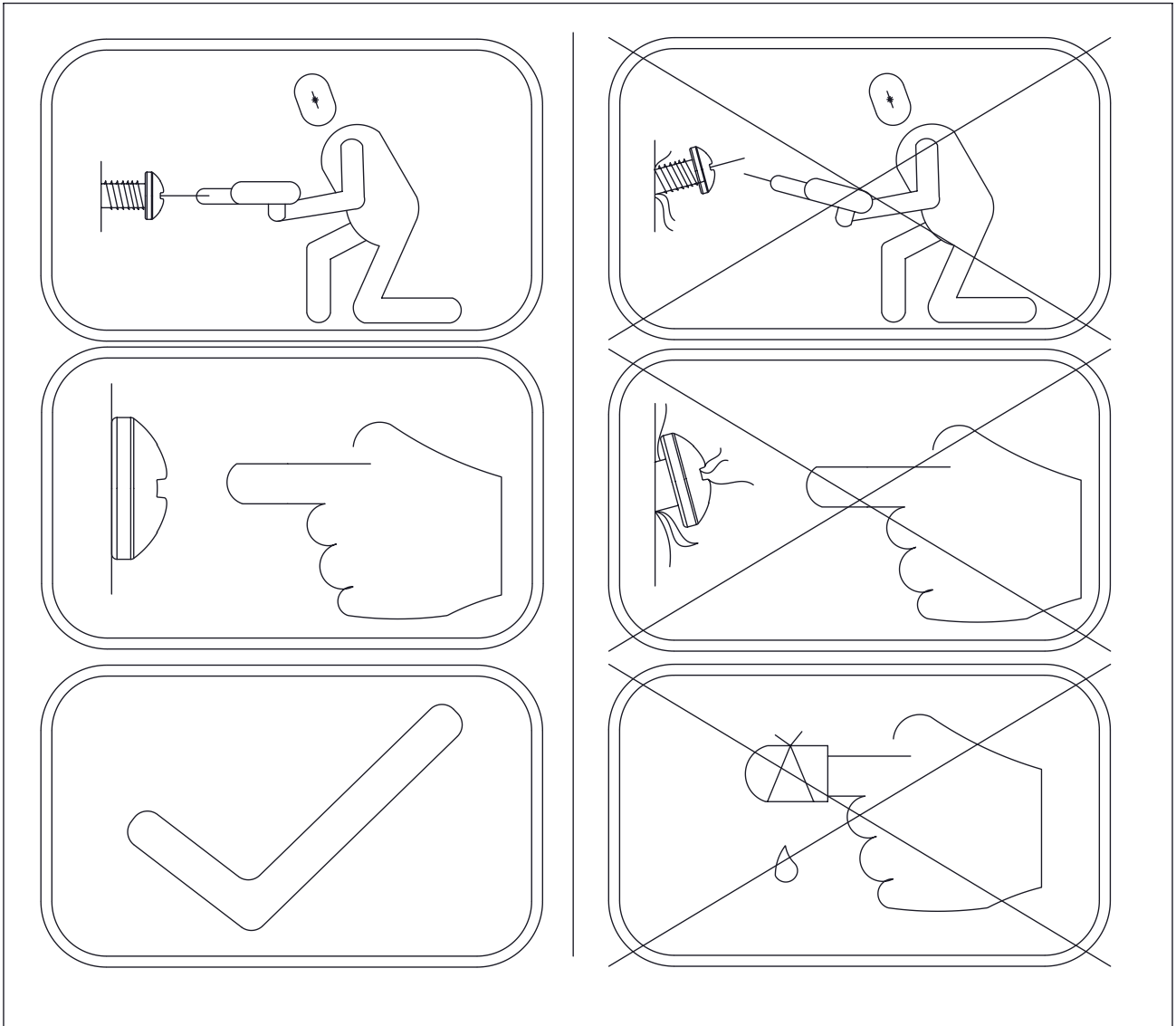


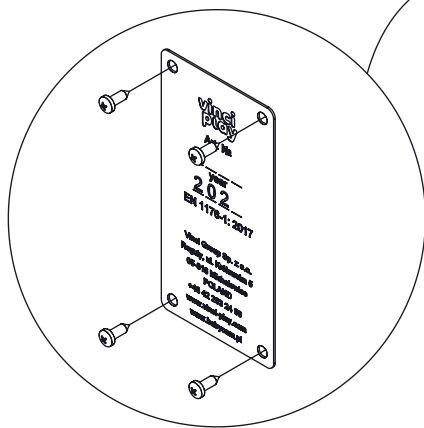
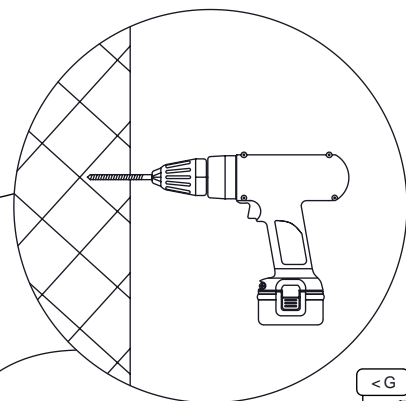
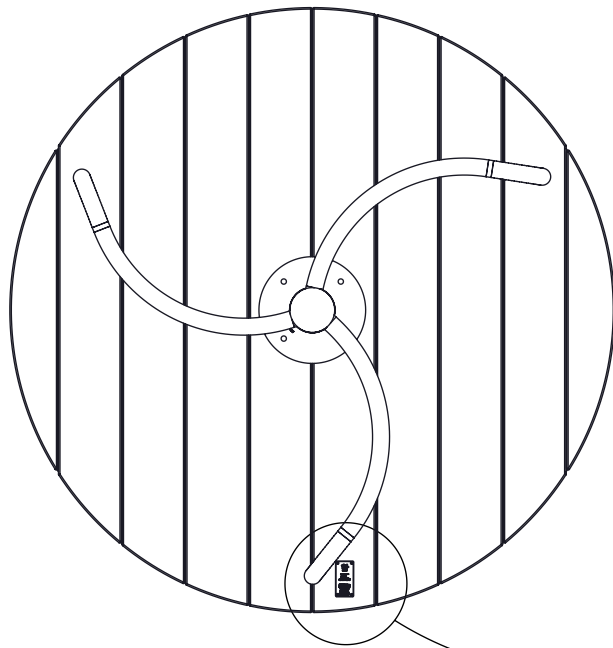
ÉÍ GFFÍ  
øF



ÜÓFHĬ G  
øF

Fø	XEEF
----	------





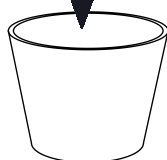
X€€F €F

**vinci play**  
 Art. №  
 year  
**202**  
 EN 1176-1: 2017

Vinci Group Sp. z o.o.  
 Reguły, ul. Królewska 5  
 05-816 Michałowice  
 POLAND  
 +48 42 203 24 99  
 www.vinci-play.com  
 www.babycam.pl

**DufhBc.**  
 \$\$\$\$\$\$!  
 \$\$\$\$\$\$

€€€€€€€€€€€€€€€€



vinci play