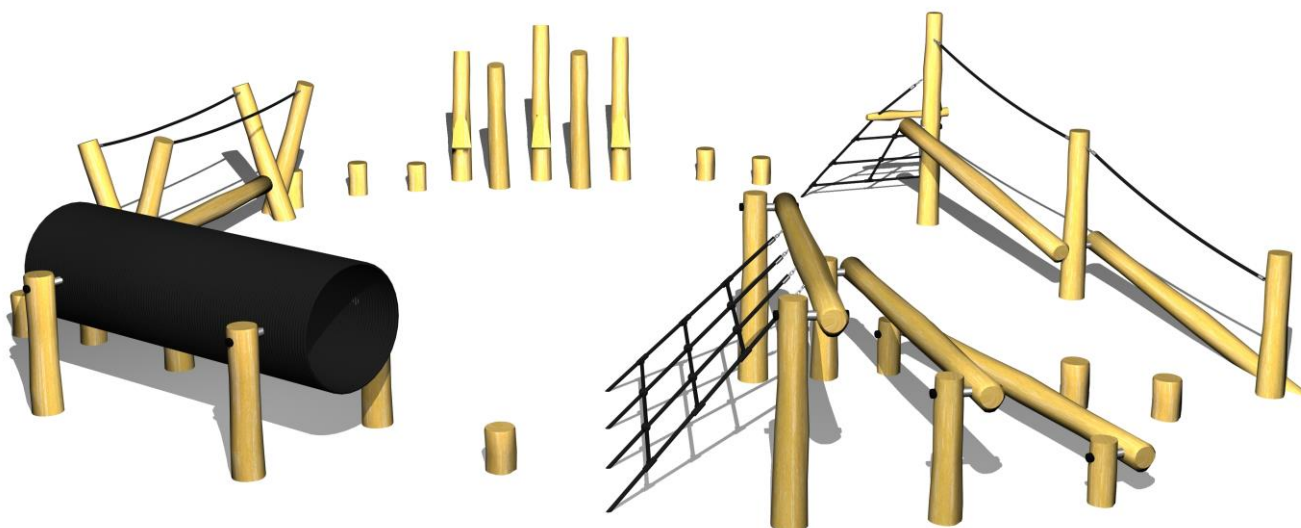


# Monteringsanvisning/ Mounting instructions 29 serien



## Varenr. Liste/Item list:

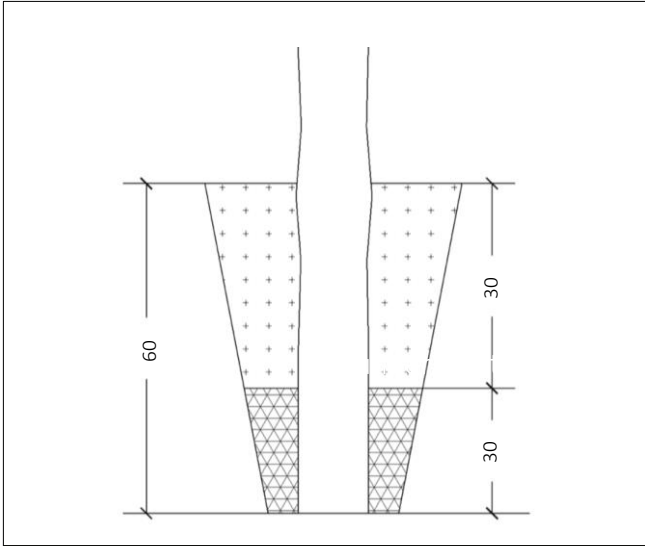
2901, 2902, 2903, 2904, 2905, 2906, 2907, 2908, 2910, 2912, 2914, 2916, 2918, 2920, 2922, 2924, 2926, 2928, 2930, 2931, 2932, 2933, 2934, 2936, 2938, 2940, 2941, 2942, 2944, 2946, 2947, 2948, 2949, 2950, 2952, 2954, 2955, 2956, 2957, 2958, 2959, 2960, 2961, 2962, 2963, 2964, 2966, 2968, 2969, 2970, 2971, 2972, 2974, 2975, 2976, 2979, 2980, 2981, 2982, 2983, 2984, 2985, 2986, 2987, 2988, 2989, 2994

# Introduktion/Introduction

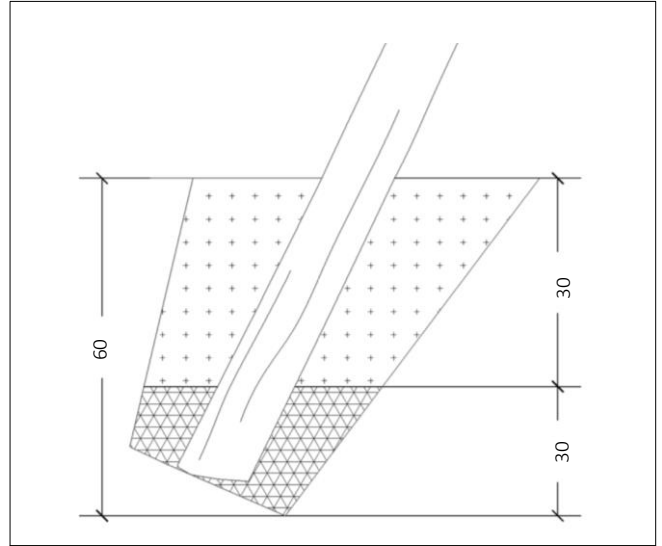
---

Intro tekst,  
Generelle anvisninger (vanger/net etc)  
Specielle forhold vedrørende...

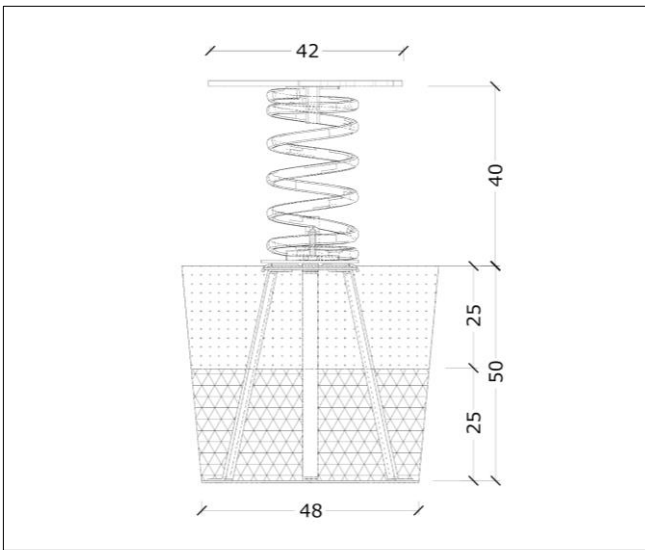
# Fundering/Foundation



Fundering, stolper/Foundation, post

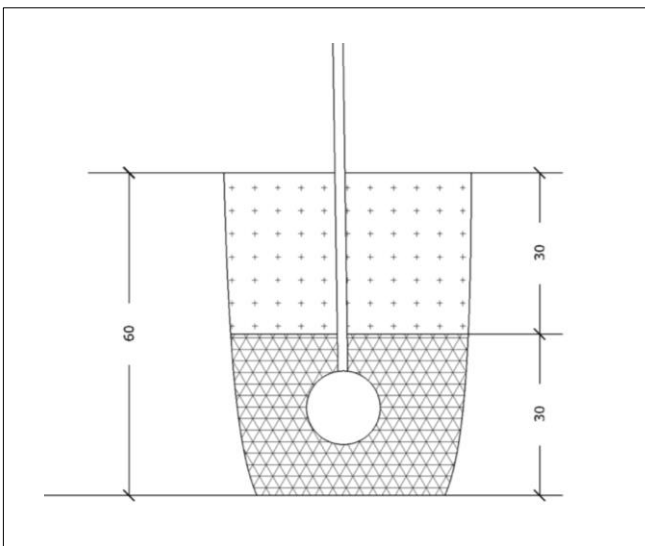


Fundering, skrå stolper/Foundation, oblique post

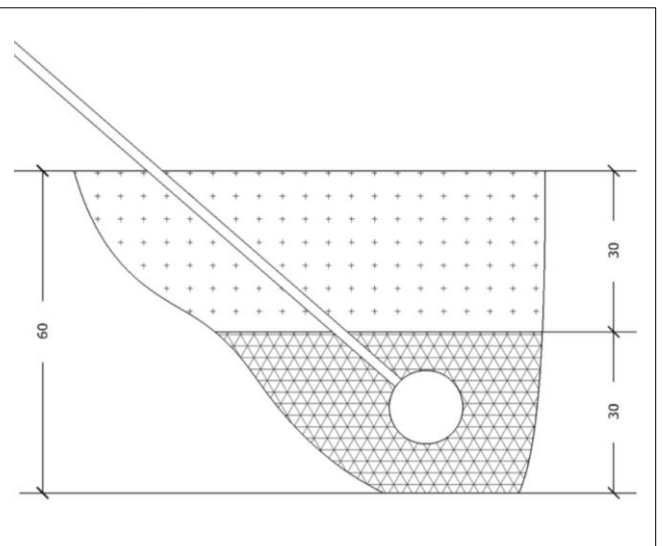


Fundering, fjeder/Foundation, spring

- 🇩🇰 Generel stolpemontering, sammenhold med det aktuelle produkts datablad
- 🇬🇧 General post mounting, for further information look at the products dataheet.



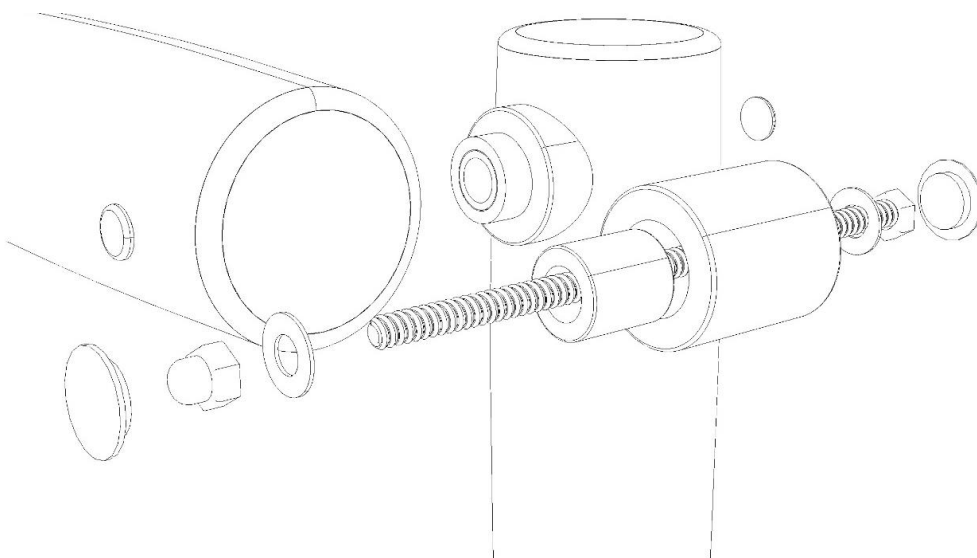
Fundering, net og tov/Foundation, net and rope



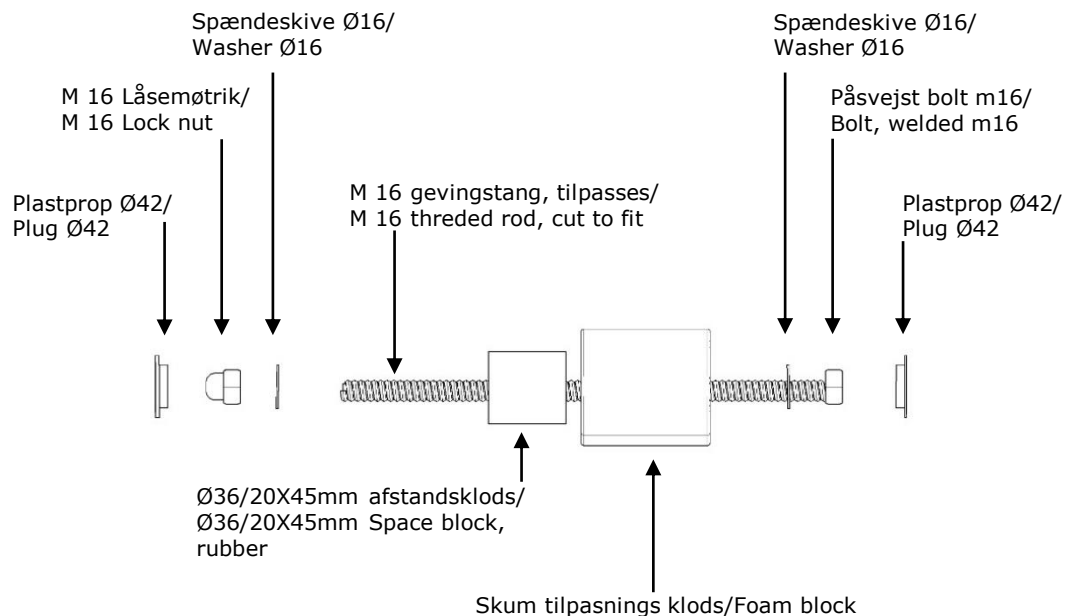
# Montering stolpe/vange/Mounting of post/beam

🇩🇰 Ved samling af 2 vanger monteres de på samme stolpe med samlingsbeslag til hver, disse forskydes med en hulplacering 5 cm nedad

🇬🇧 If two beams need to be mounted on the same post, it should be displaced 5 cm down.

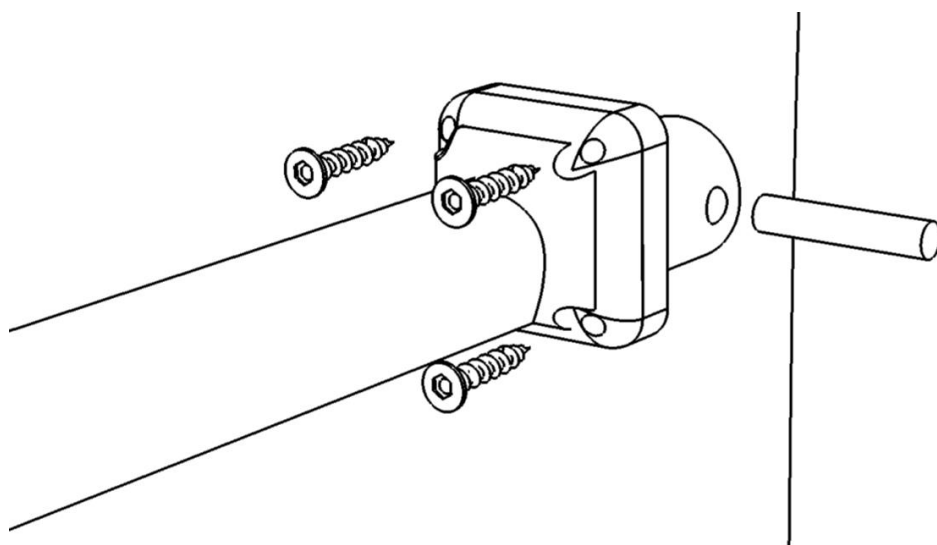


## Montage stolpe og dobbelt stolpe på vange/Mounting of post and double post on beam



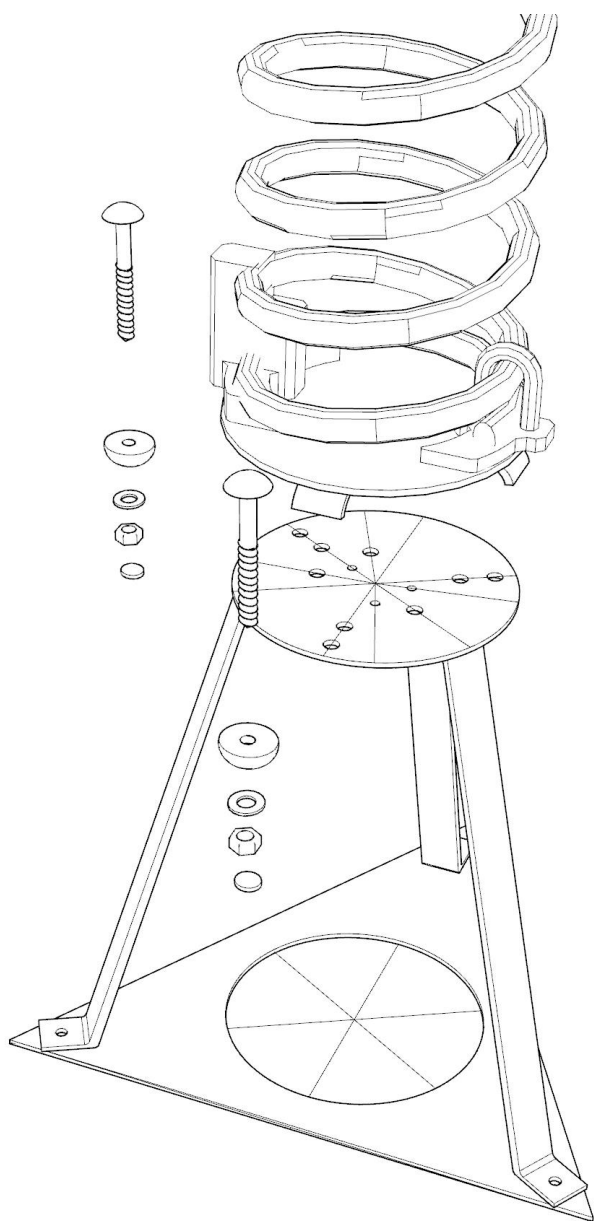
## Samplingsbeslag til stolpe montering/Assembly bracket for mounting of post

## Montering rør/stænger/Mounting of somersault rod



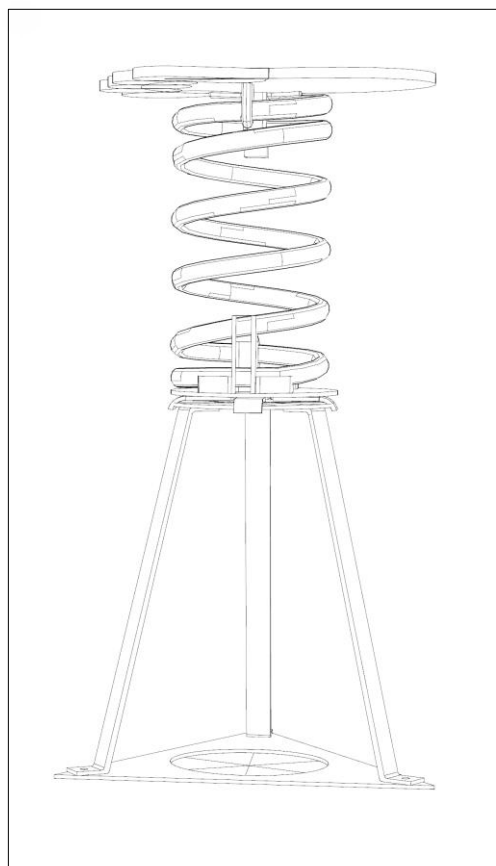
- 🇩🇰 Start med at placere redskabet korrekt i henhold til datablad. Monter stolper.  
Kør rør igennem kompositbeslag, monter tværnot og skub beslaget på plads så røret er låst.  
Monter nu beslag med 4 stk 6X60.
- 🇬🇧 Start by placing the product as described in the datasheet. Mount posts, and let the pipe through the composite bracket. Mount the split and push the bracket in place so everything is locked.  
Now lock the bracket with 4 pcs. 6x60 screws.

## Montering af fjeder/Mounting of spring

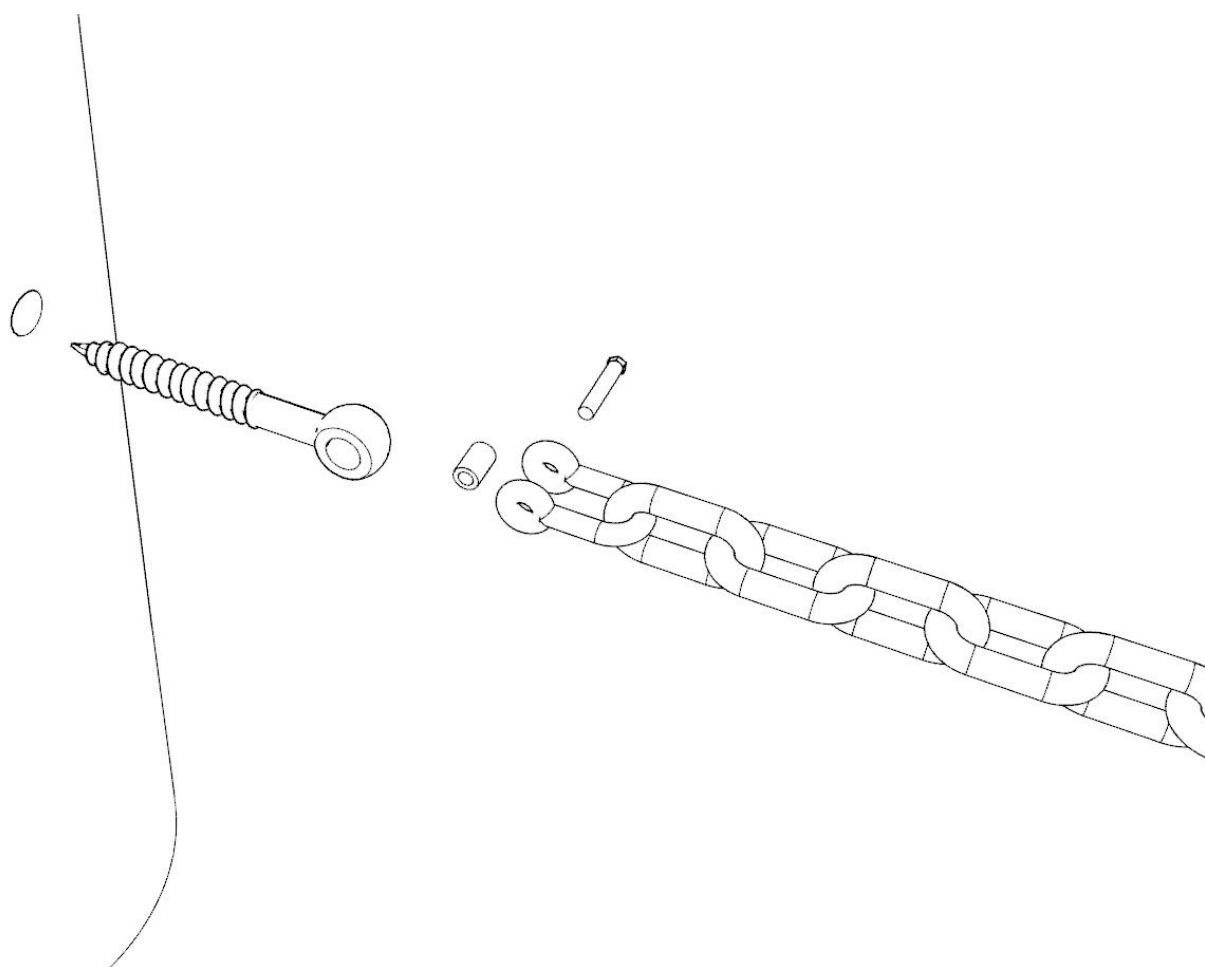


🇩🇰 Stålfoden monteres med bolt på fjeder.

🇬🇧 The steelfoot is mounted on the spring with 3 pcs. bolts.



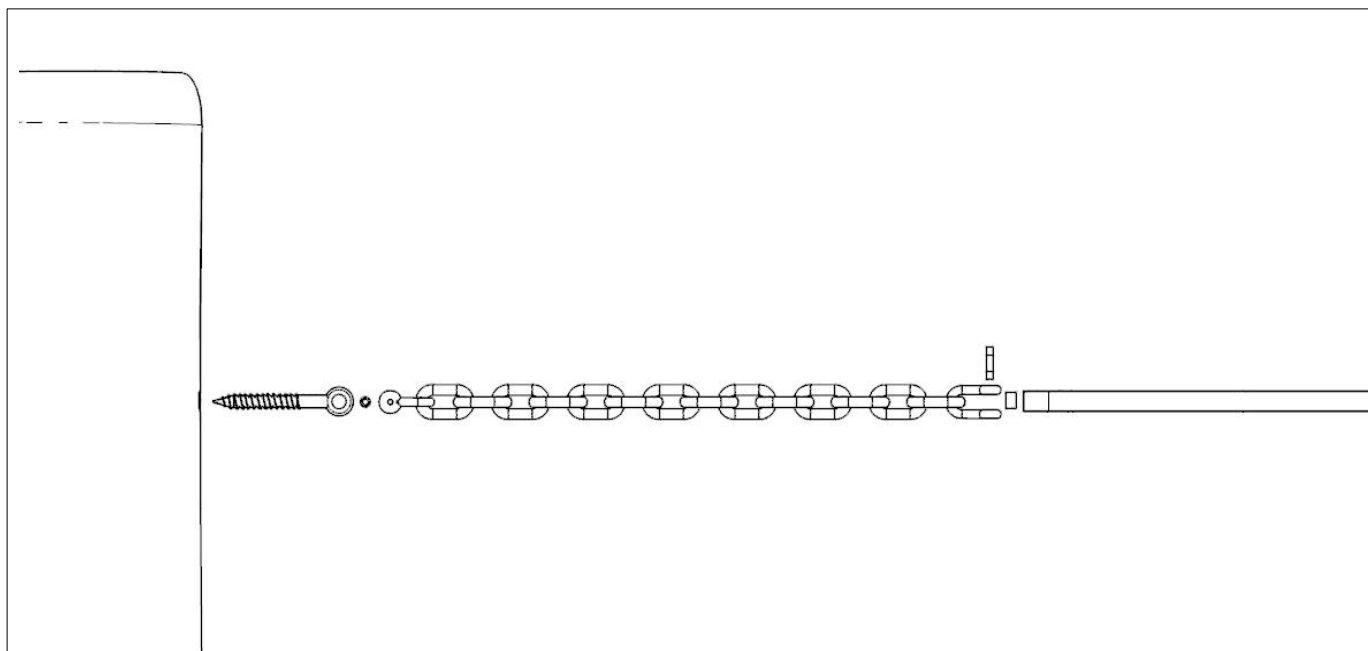
## Montering net og tovværk/Mounting of net and rope





🇩🇰 Start med at placere redskabet korrekt i henhold til datablad, monter stolper.  
Stolpe forbores med 5 mm bor derefter monteres øjebolt. Monter emnet med sjækel i øjet. Derefter efterspændes.

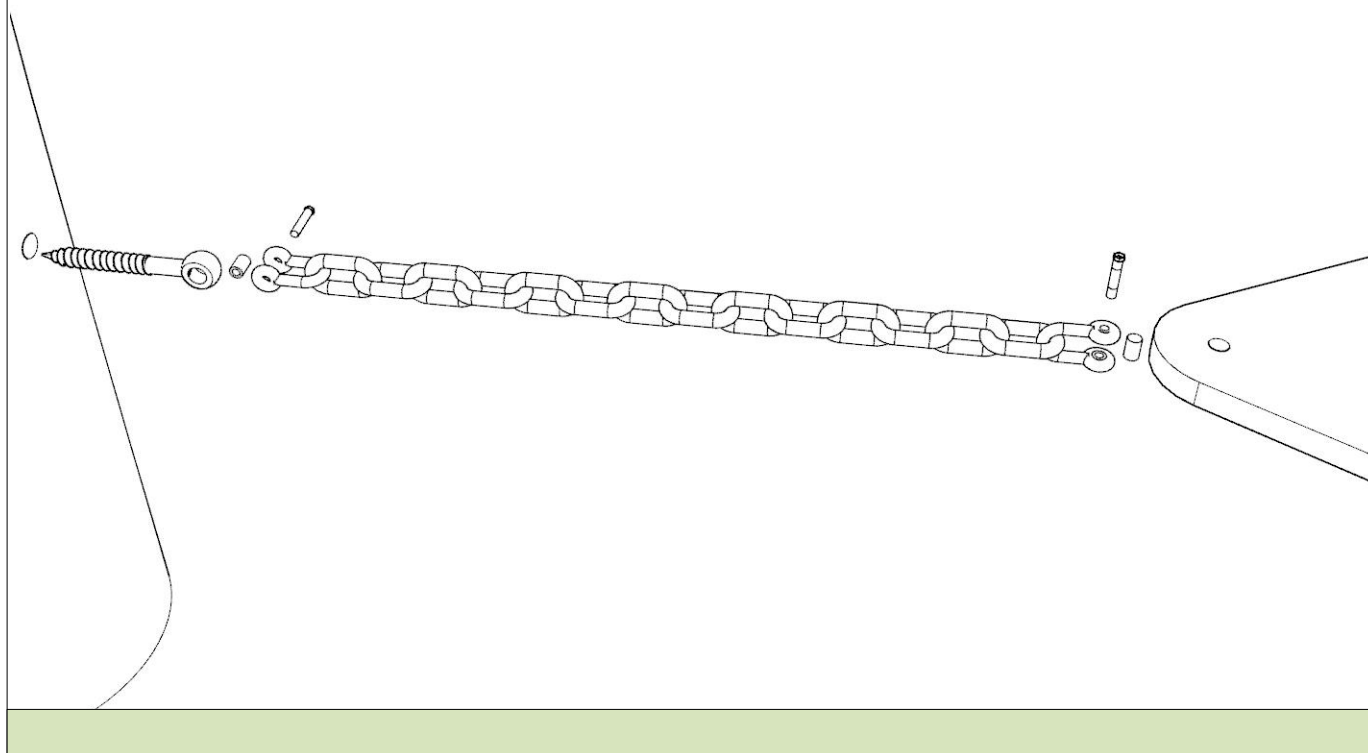
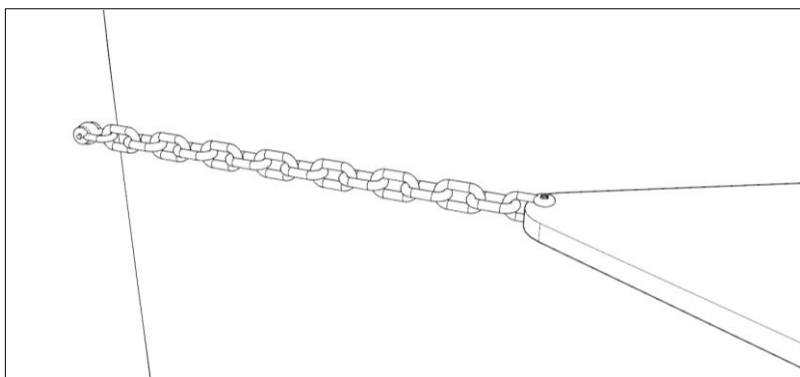
🇬🇧 Start by placing the product as described in the datasheet.  
Predrill in post og mount the eyeball.  
Mount the shackle in the eye, and at last the shackle should be retighten.

# Montering af flydende gulv/Mounting of floating floor



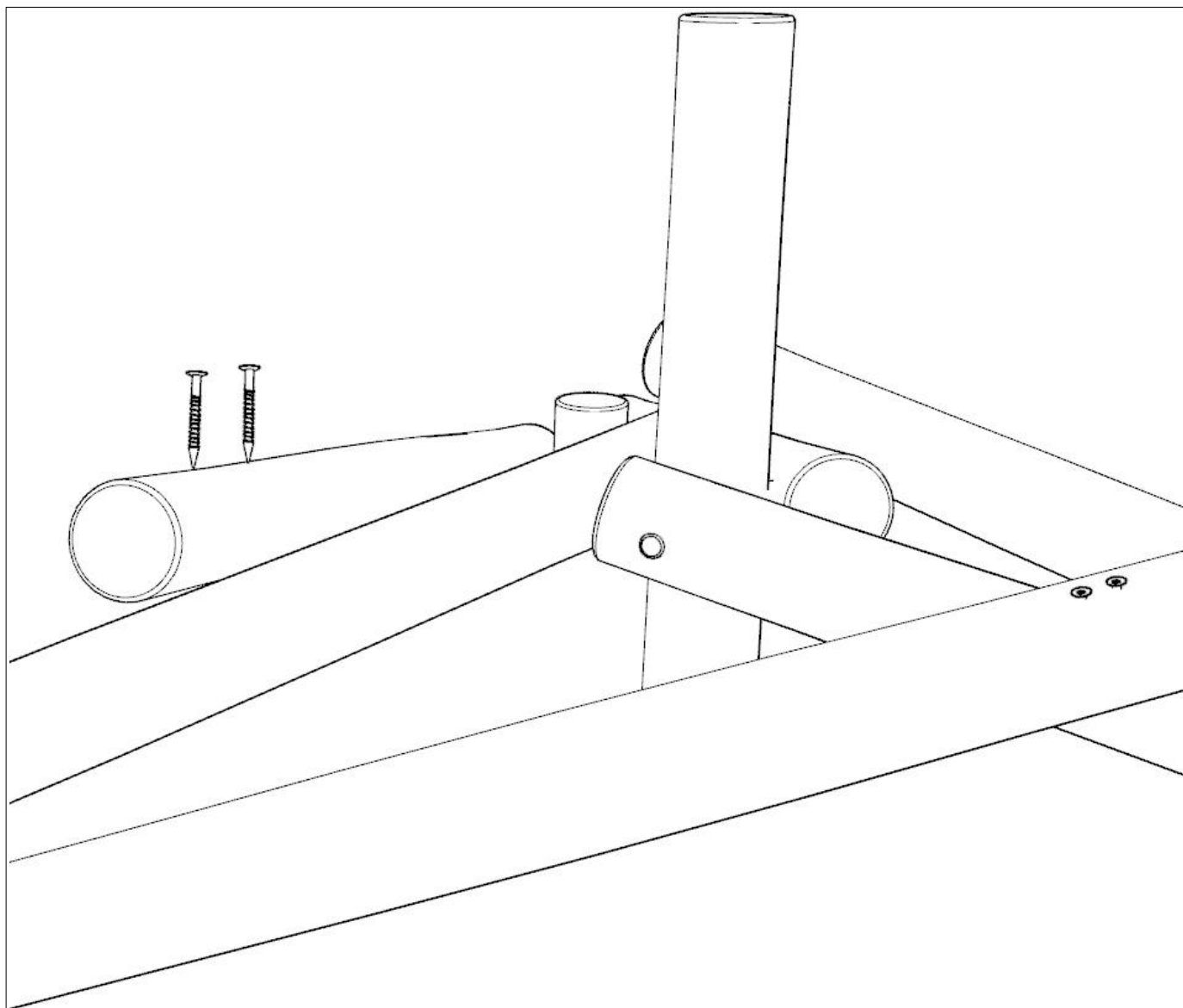
 Start med at placere redskabet korrekt i henhold til datablad, monter stolper.  
Stolpe forbores med 5 mm bor, derefter monteres øjebolt. Kædebeslaget fæstnes på gulvet med sjækel.

 Start by placing the product as described in the datasheet.  
Predrill in post og mount the eyeball. Mount the shackle in the eye, and at last the shackle should be retighten.



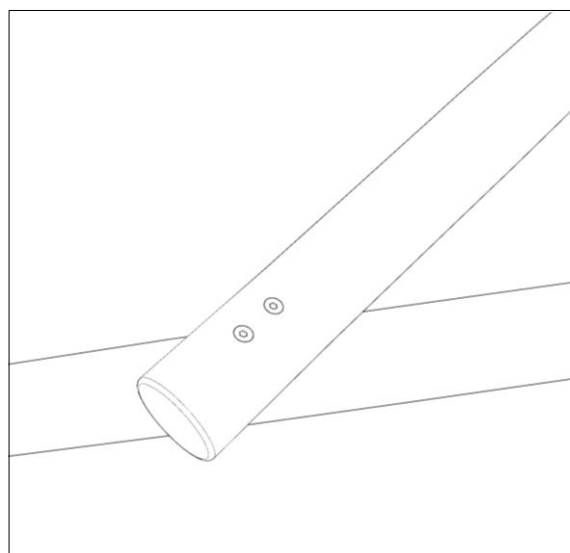


## Montering vange/vange/Mounting of beam/beam



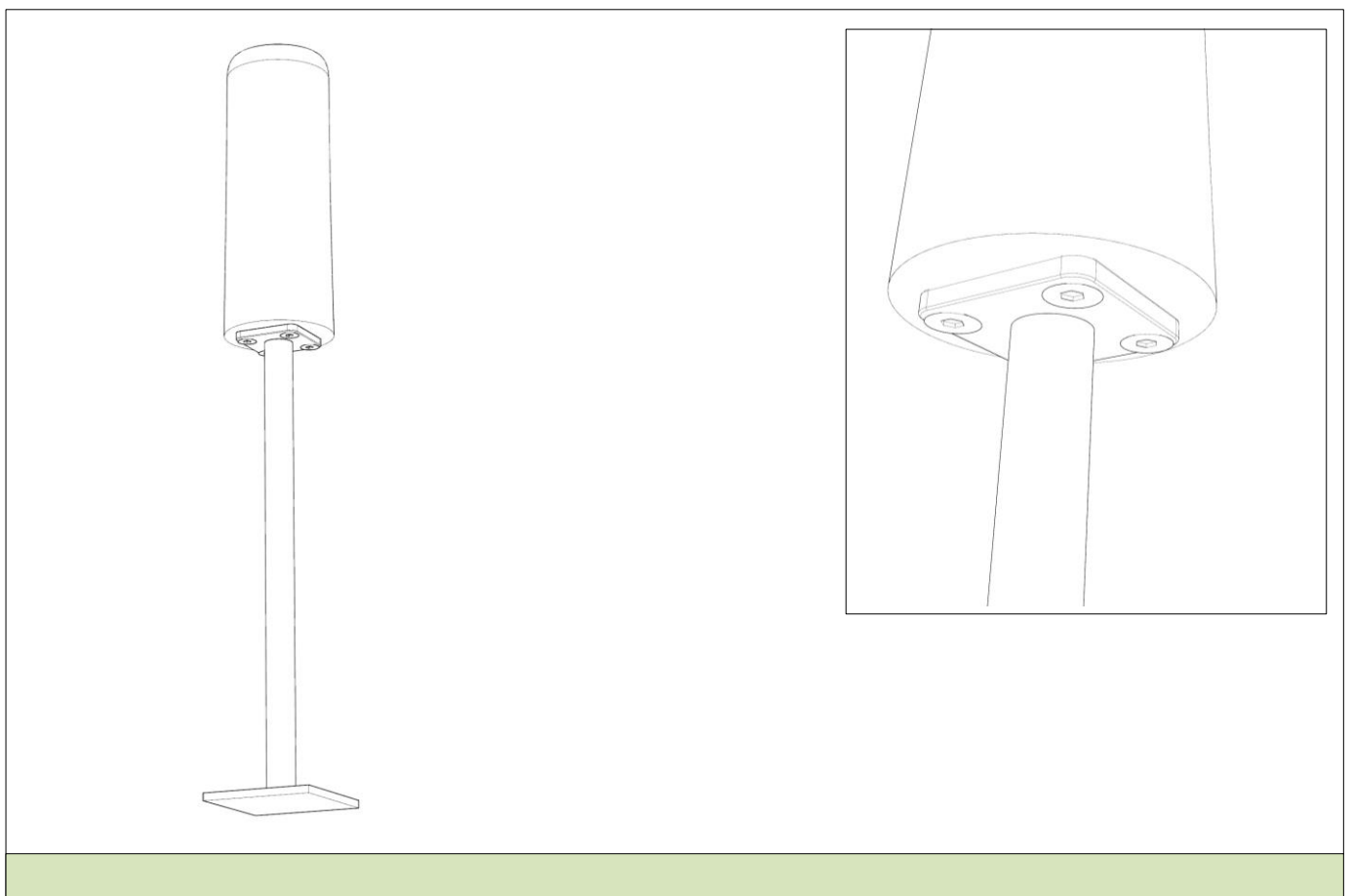
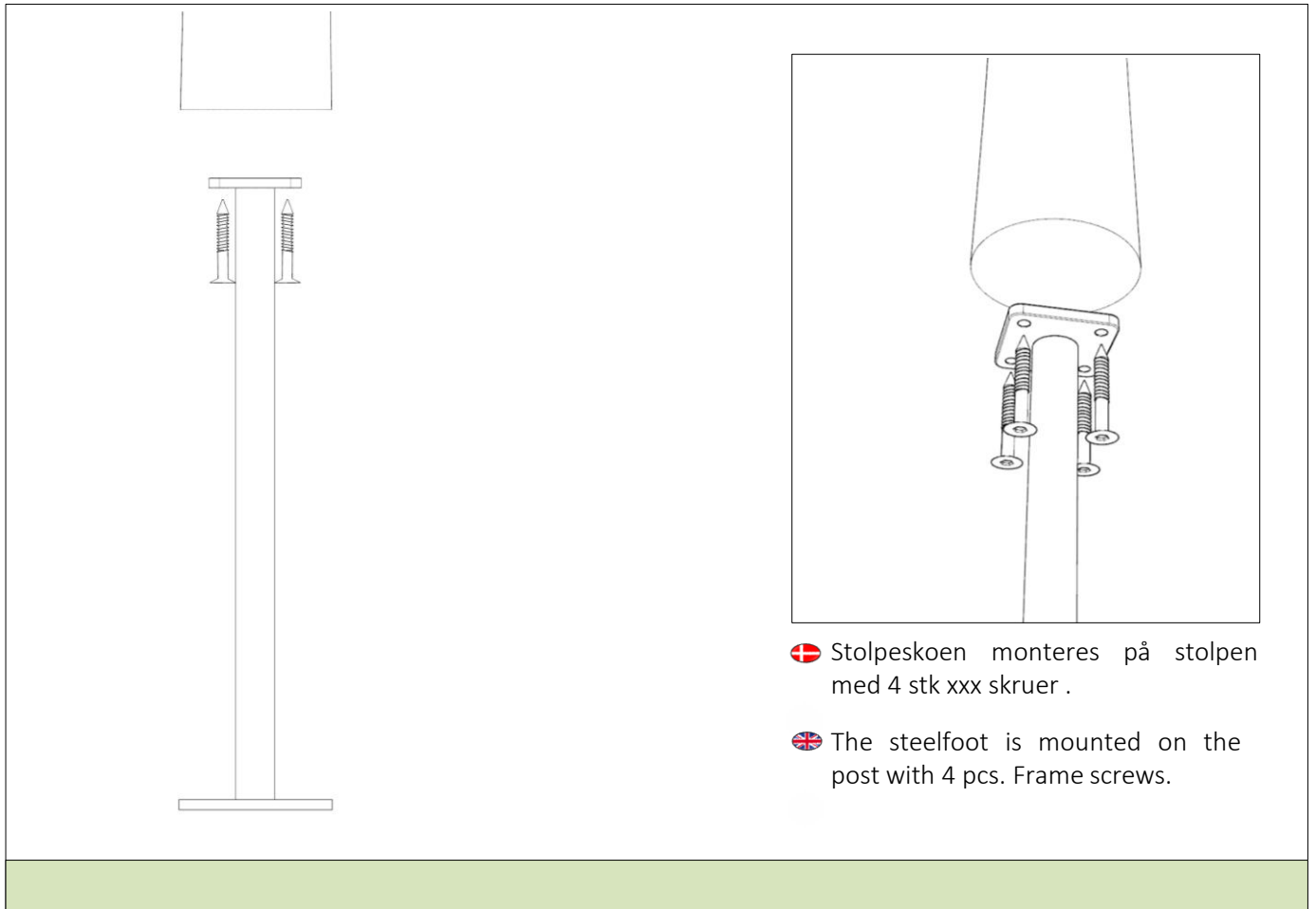
🇩🇰 Vanger som ikke samles med samlingsbeslag monteres med 2 stk. karmskrue.

🇬🇧 Beams which is not assembled with bracket is mounted with 2 pcs. of frame screws.

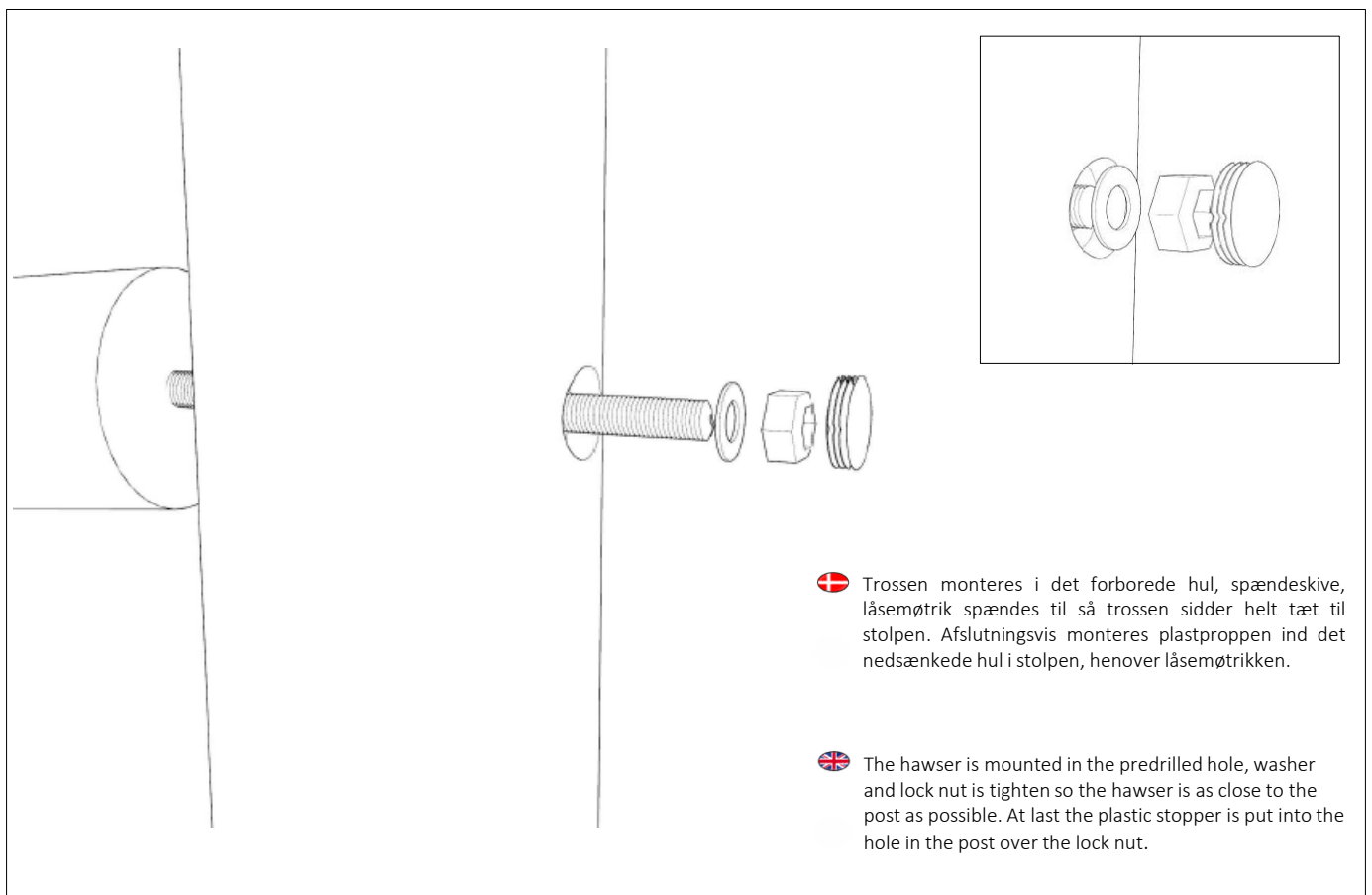
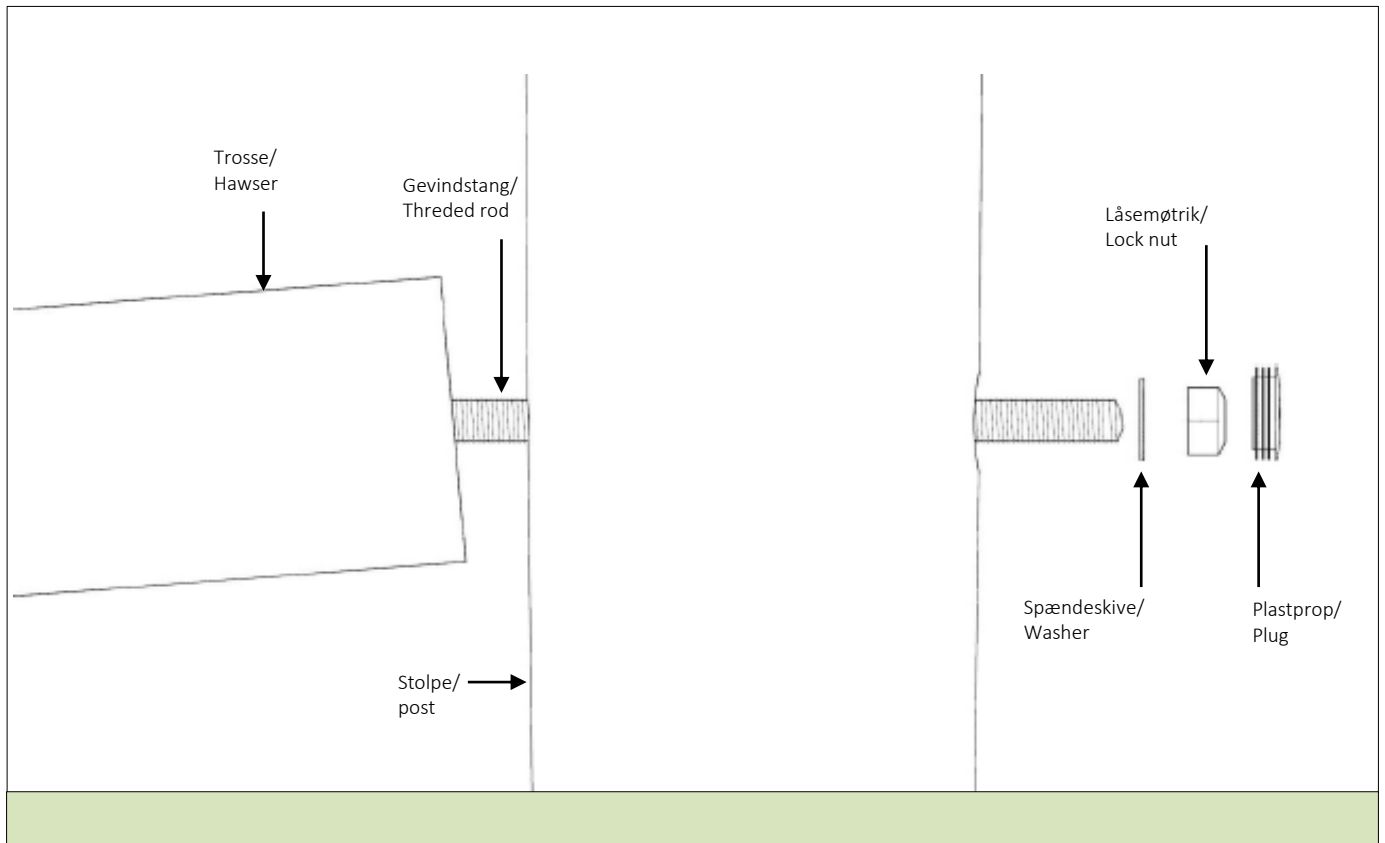


Samling af vanger med karmskrue/ Assembling of beam with frame screws

## Montering stålfod på stolpe/Mounting of steelfoot on post



# Montering trosse/Mounting of hawser

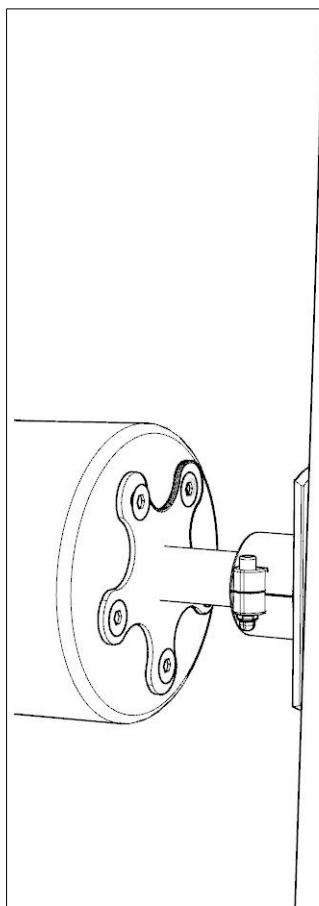


🇩🇰 Trossen monteres i det forborede hul, spændeskive, låsemøtrik spændes til så trossen sidder helt tæt til stolpen. Afslutningsvis monteres plastproppen ind det nedsænkede hul i stolpen, henover låsemøtrikken.

🇬🇧 The hawser is mounted in the predrilled hole, washer and lock nut is tighten so the hawser is as close to the post as possible. At last the plastic stopper is put into the hole in the post over the lock nut.

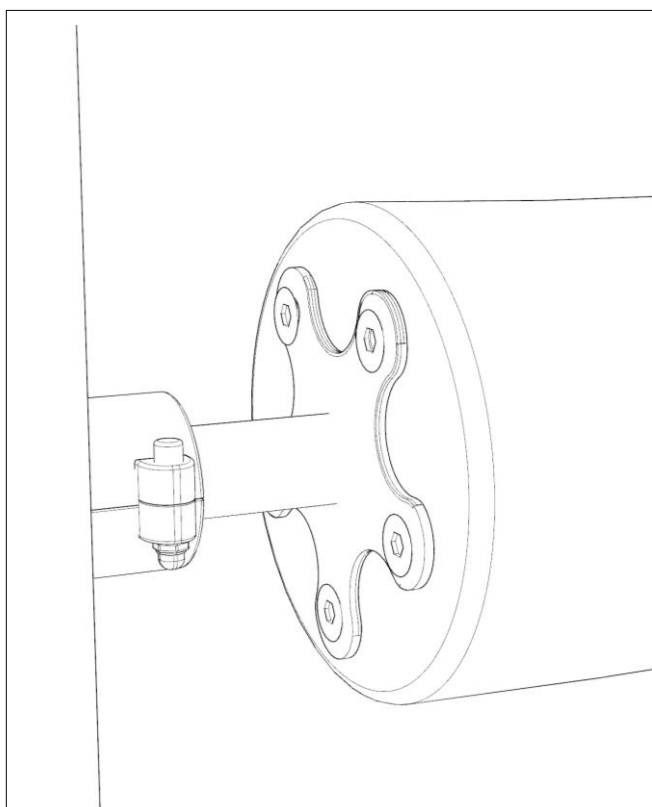
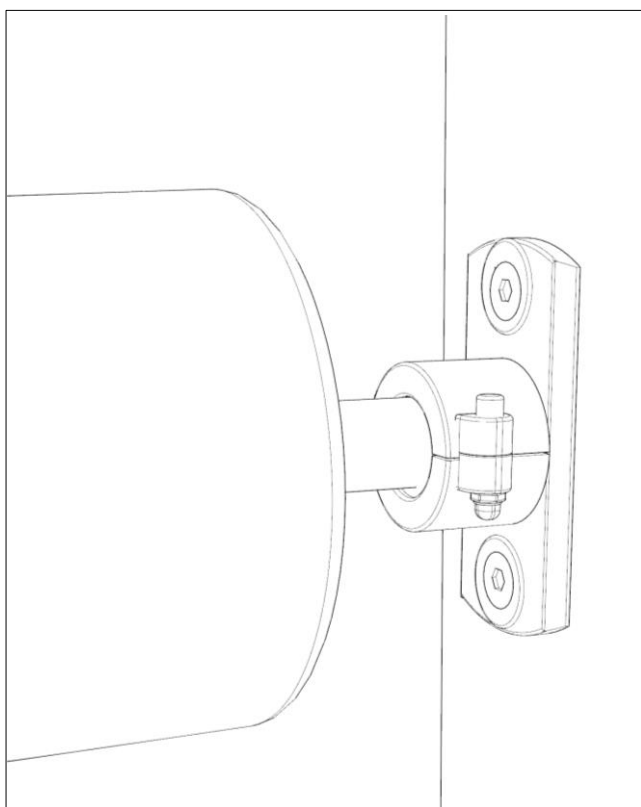
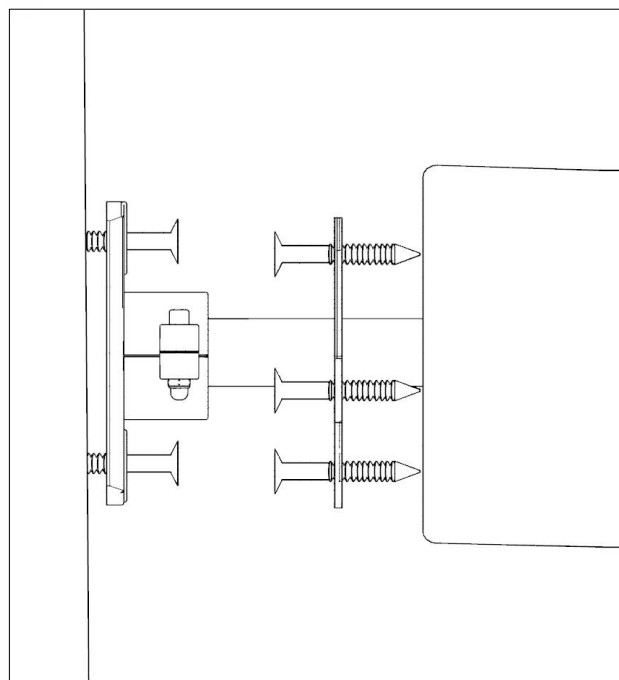
Montering af trosse med samlingsbeslag/Mounting of hawser with assembly bracket

# Montering rullebeslag/Mounting of pole twister

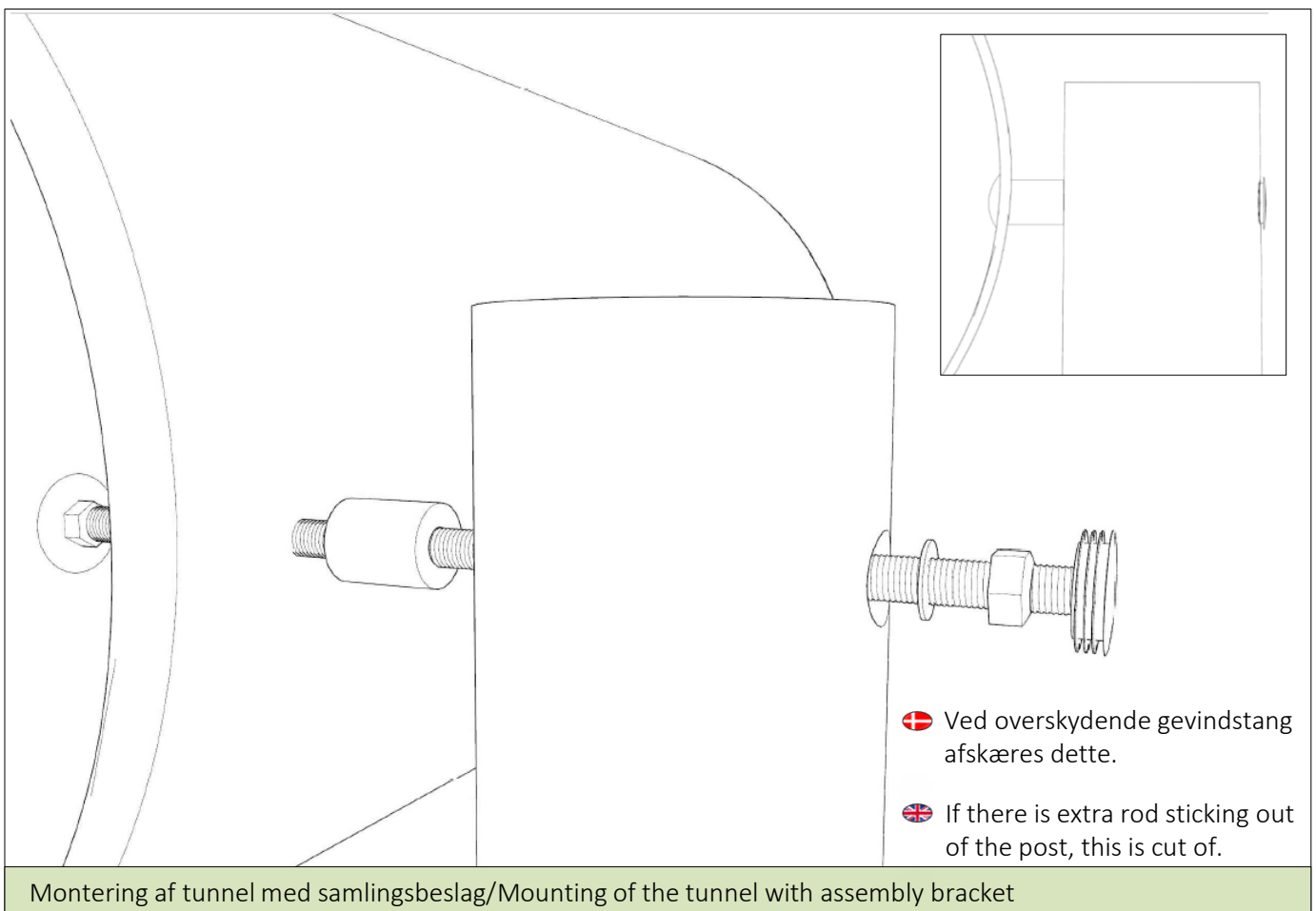
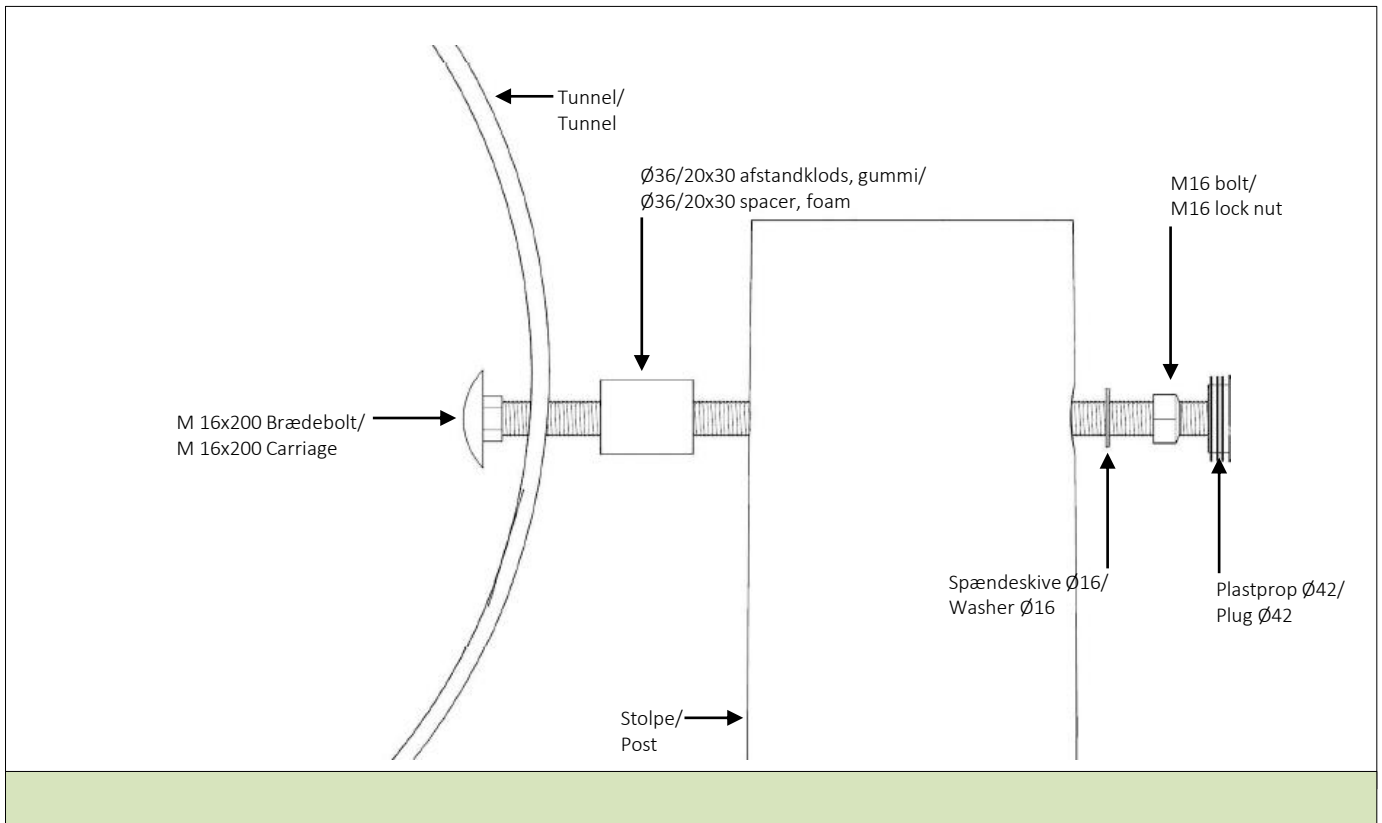


🇩🇰 Rullebeslaget monteres på trosse og dernæst på stolpen.  
Med 5 stk xx skruer.

🇬🇧 The pole twister is mounted on the hawser and after that on the post.  
With 5 pcs. screws.



# Montering tunnel/Mounting of tunnel



Montering af tunnel med samlingsbeslag/Mounting of the tunnel with assembly bracket