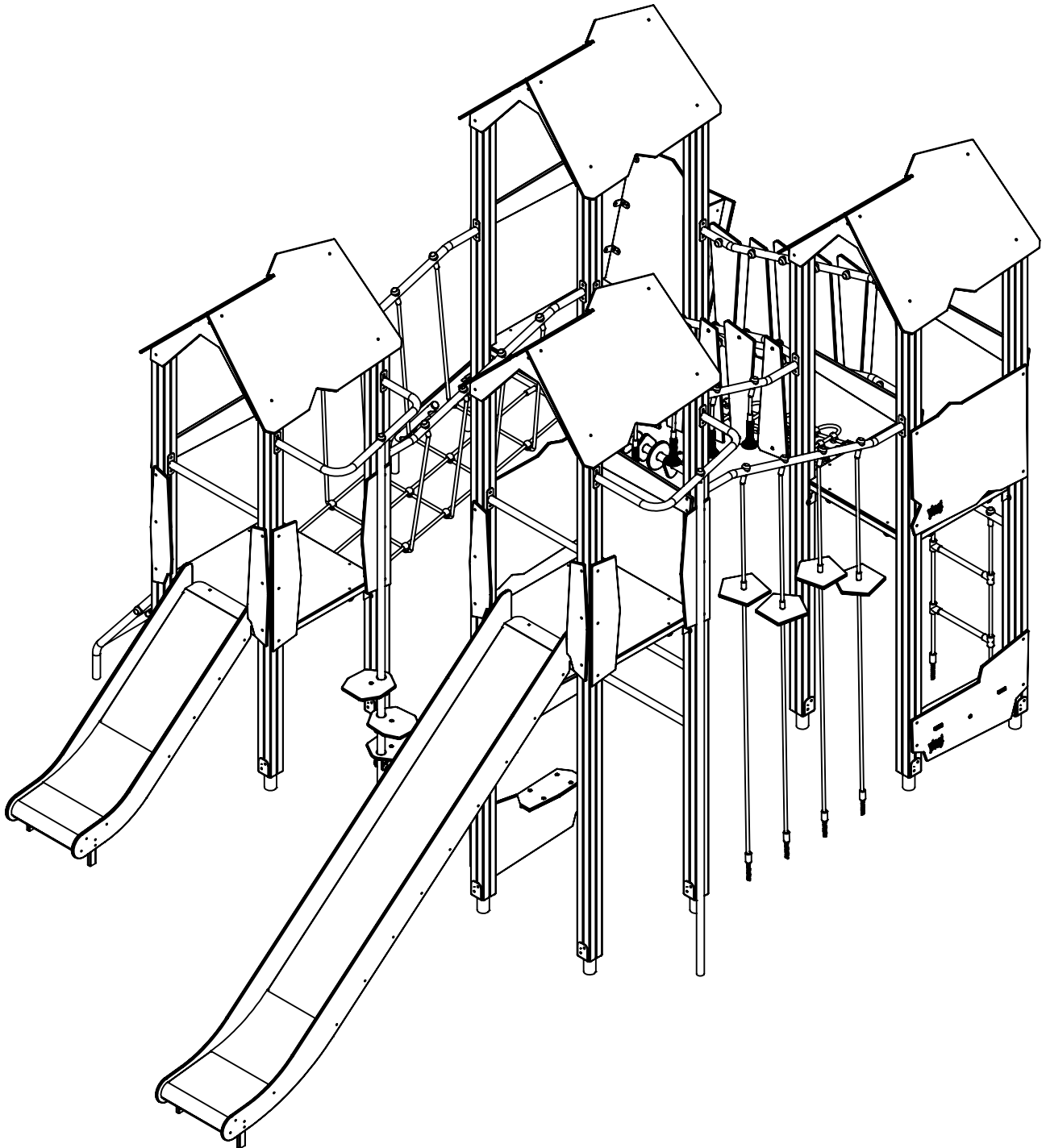
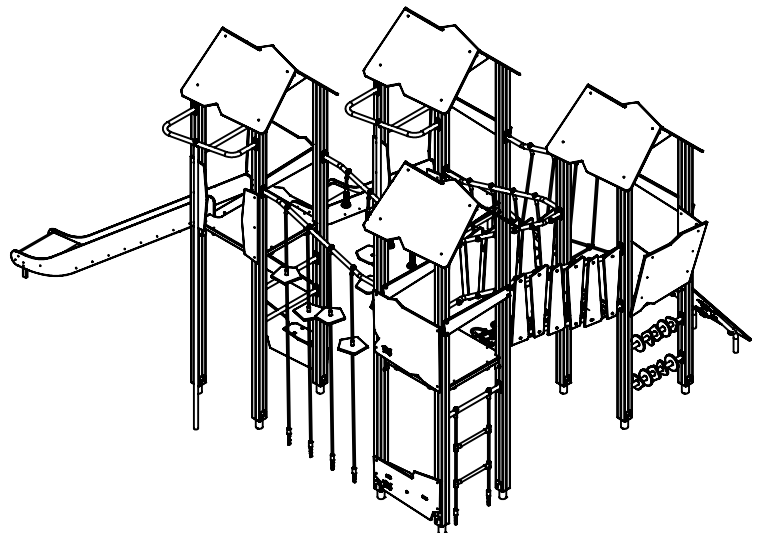
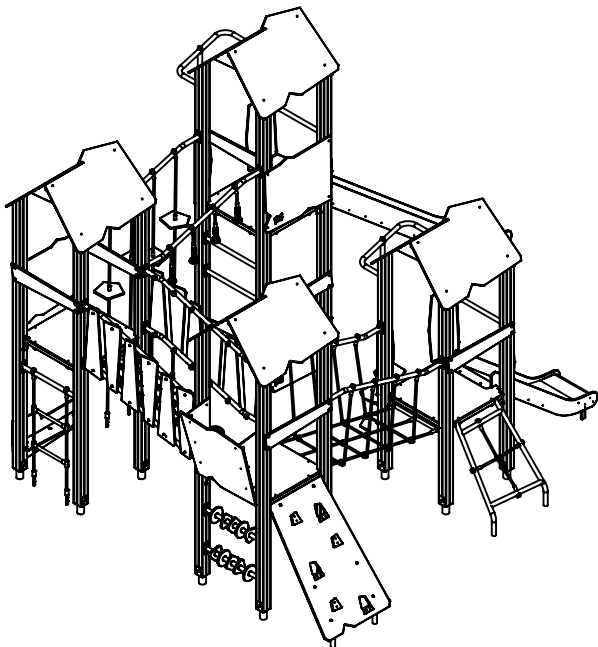
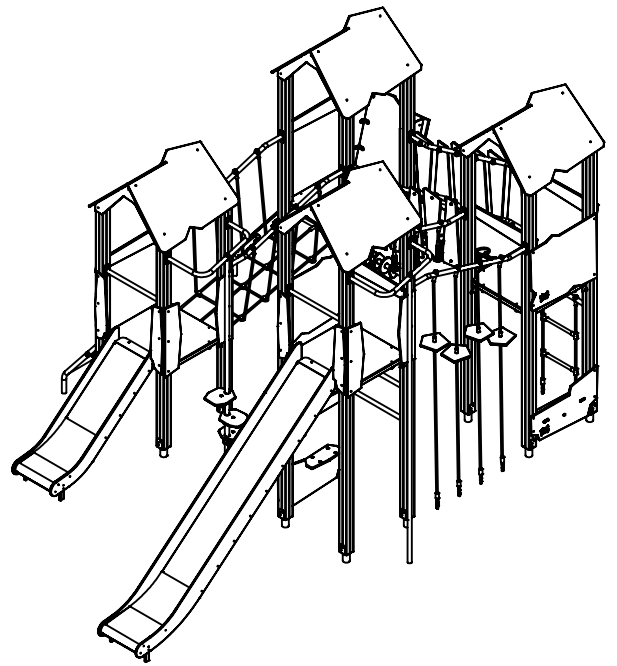
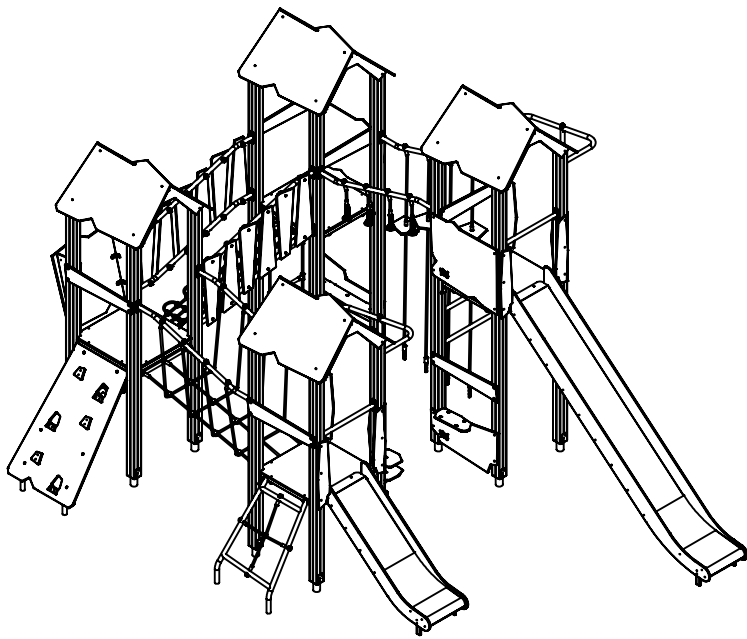


# WD1412



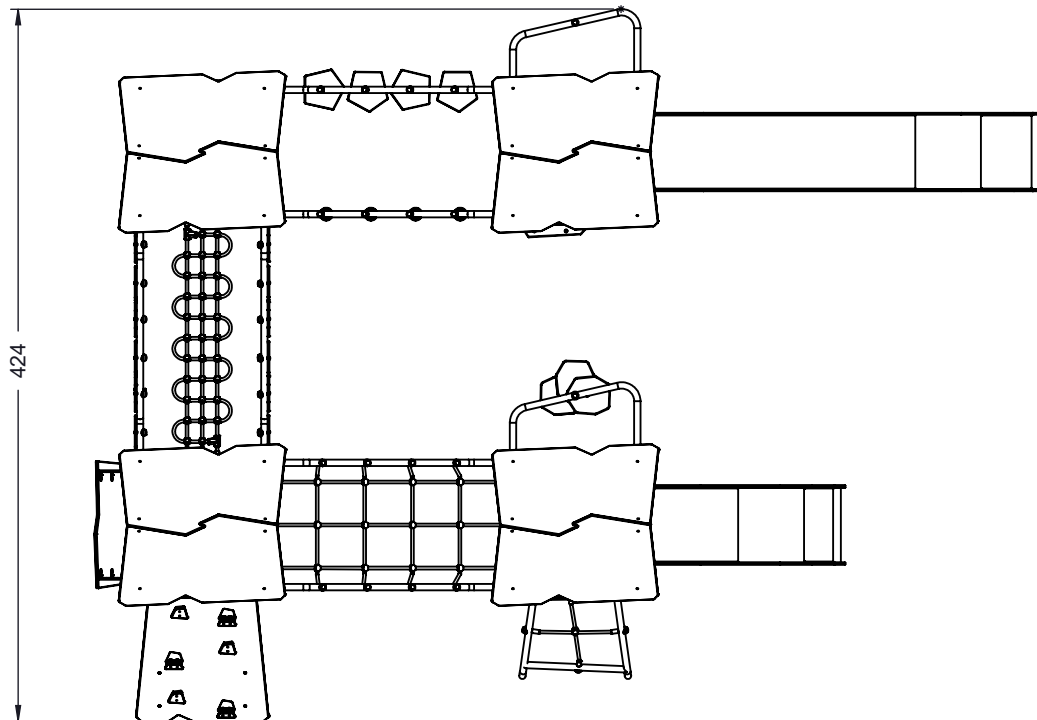
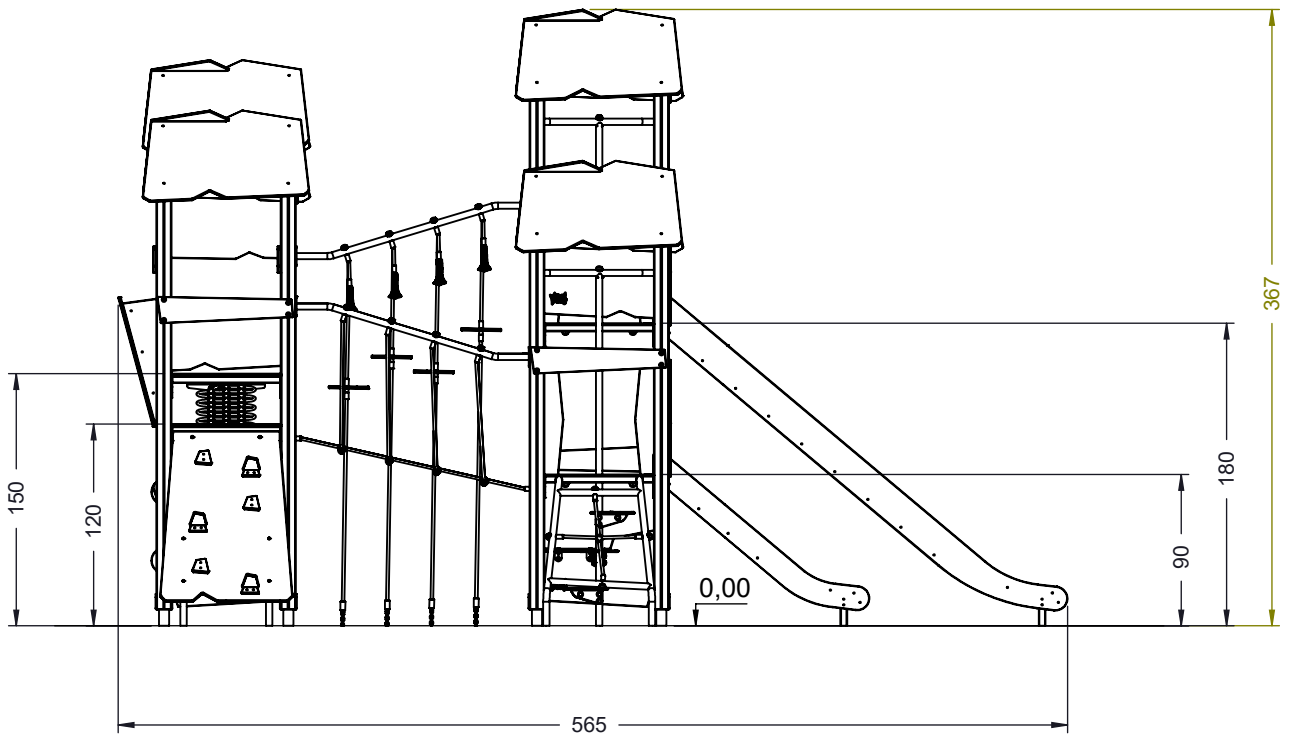
v017  
28.09.2022  
B.N.  
[cm]

vinci  
play



[cm]

vinci  
play

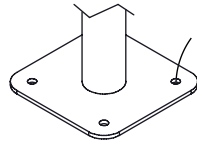
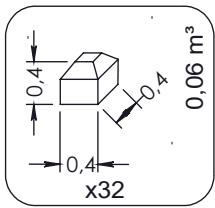
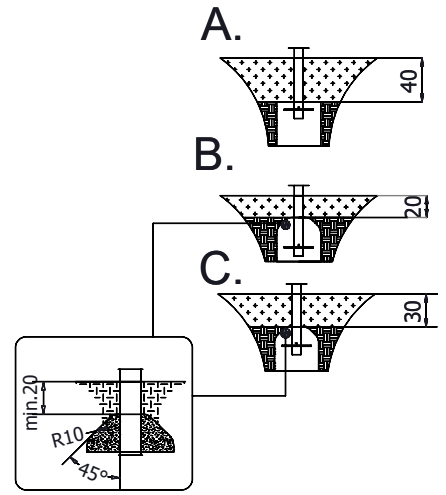
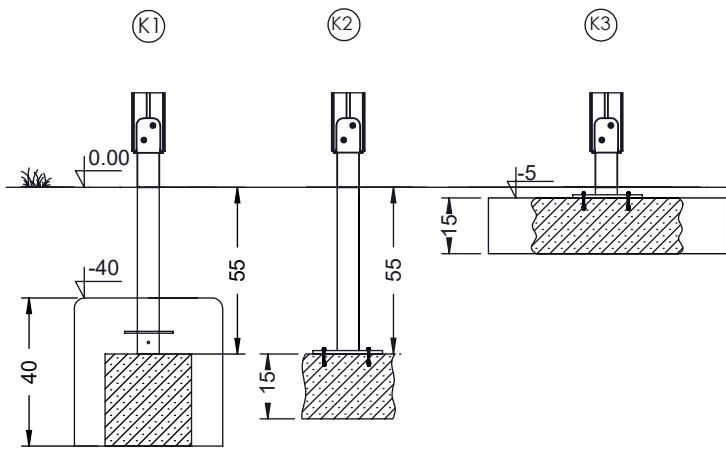


[cm]



vinci  
play



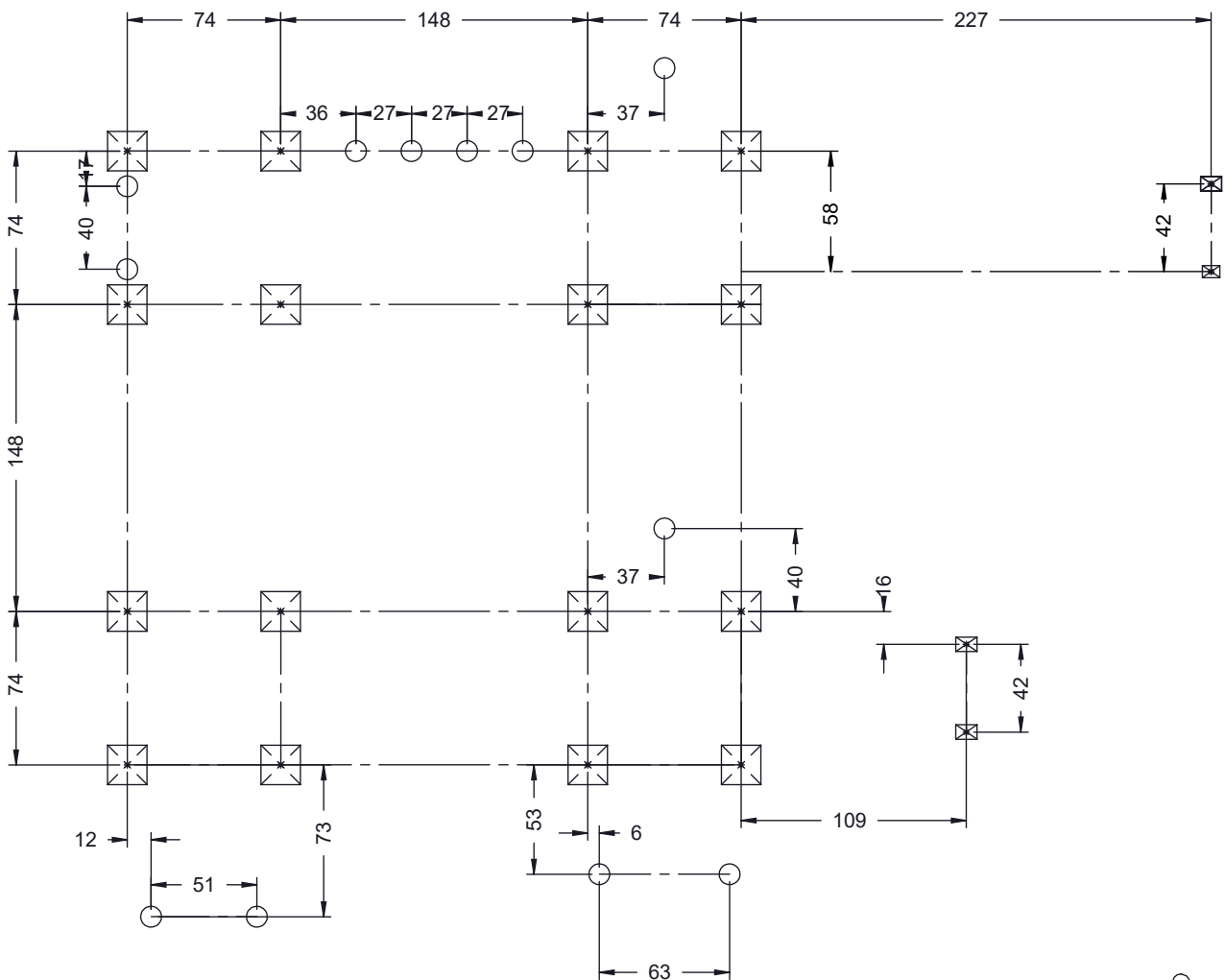


78x M10x120 (K2)  
82x M10x120 (K3)

**NOT INCLUDED**

12x M8x120 (K2)  
8x M8x120 (K3)

**NOT INCLUDED**



[cm]



12h



48h

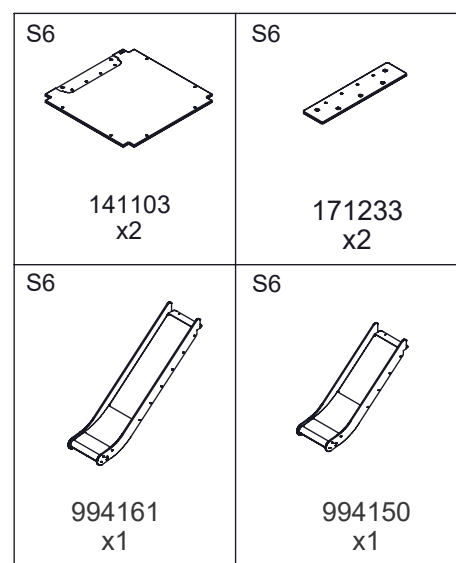
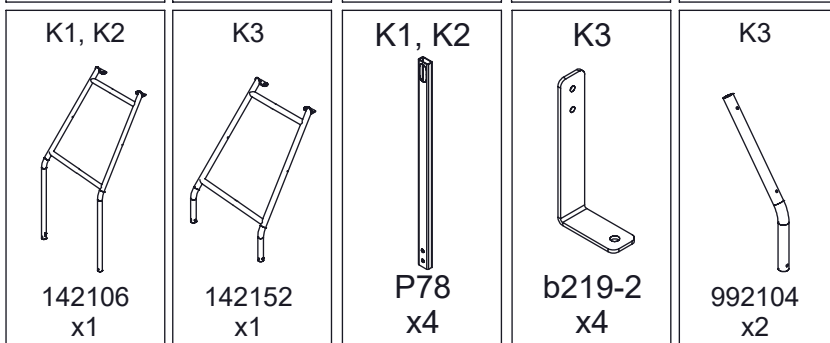
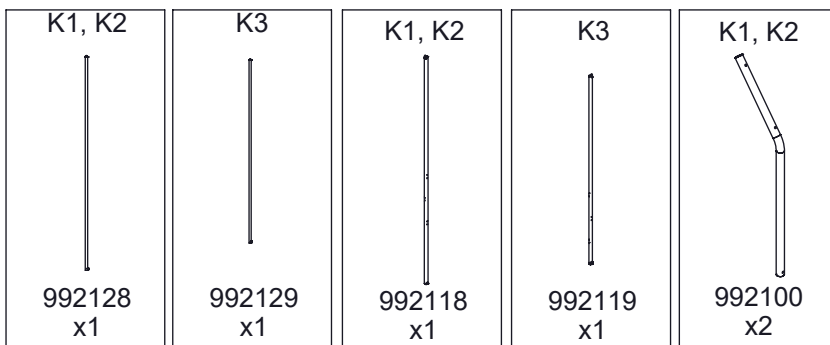
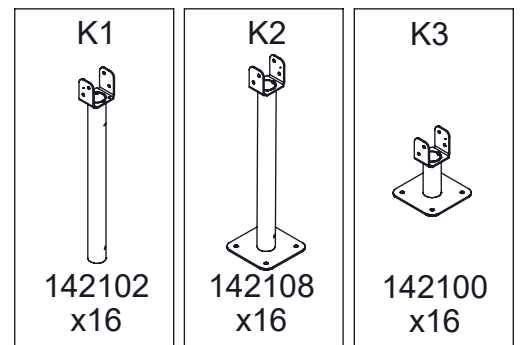
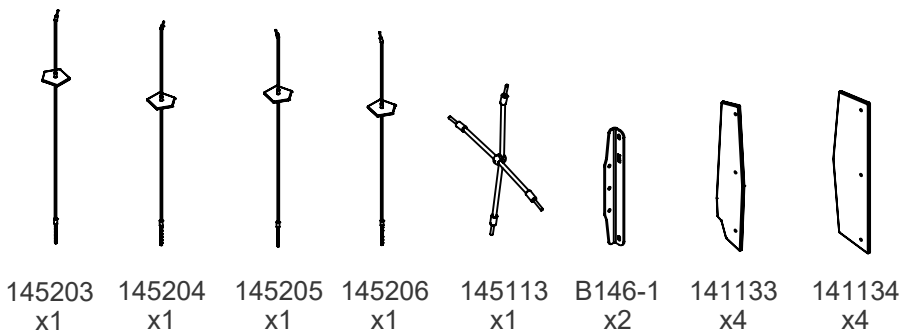
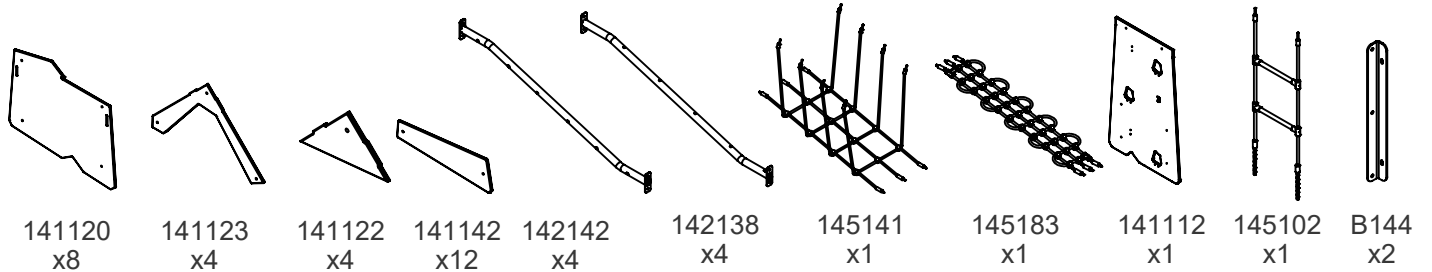
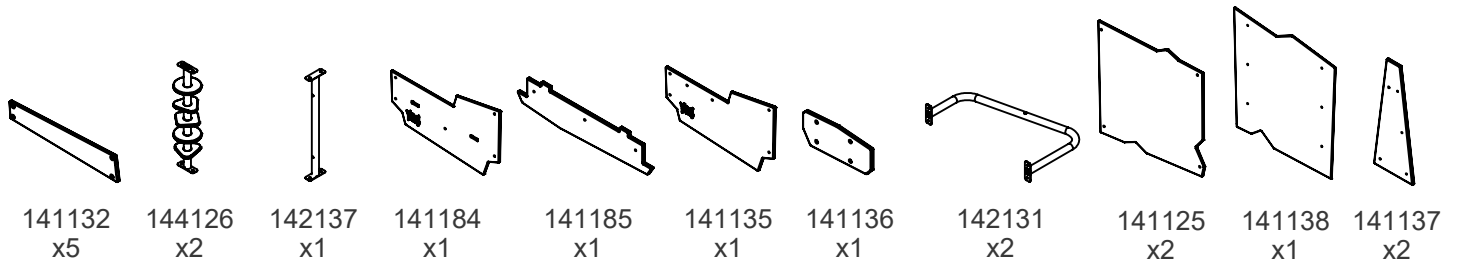
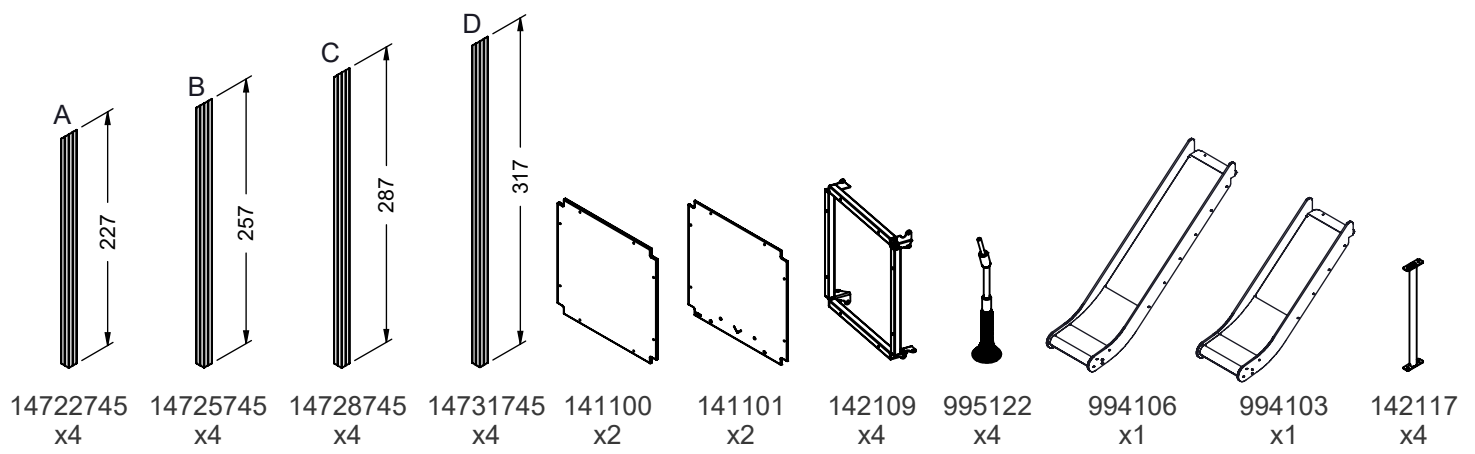


K1  
x32  
>0.06m³



K2, K3  
x32  
>0.02m³

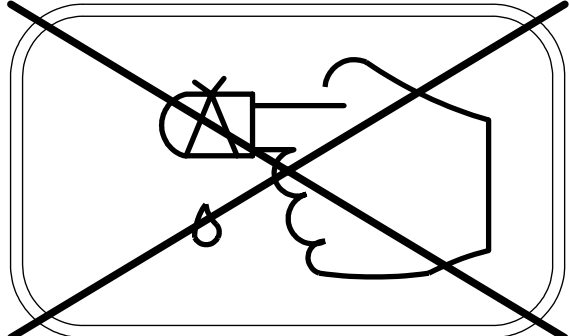
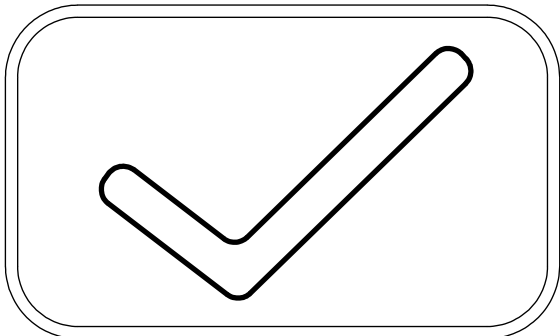
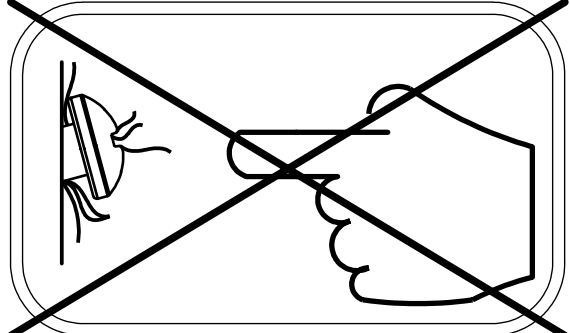
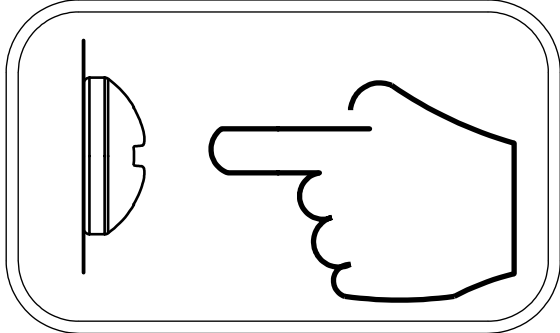
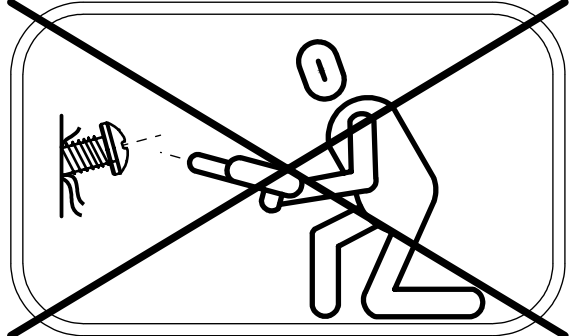
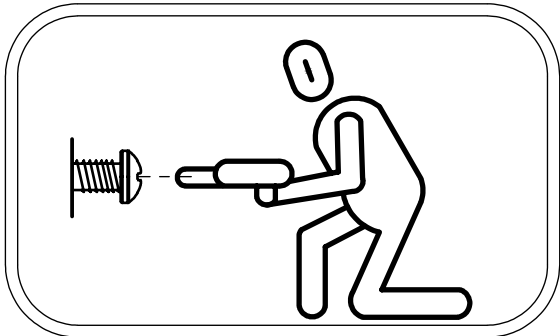
vinci  
play



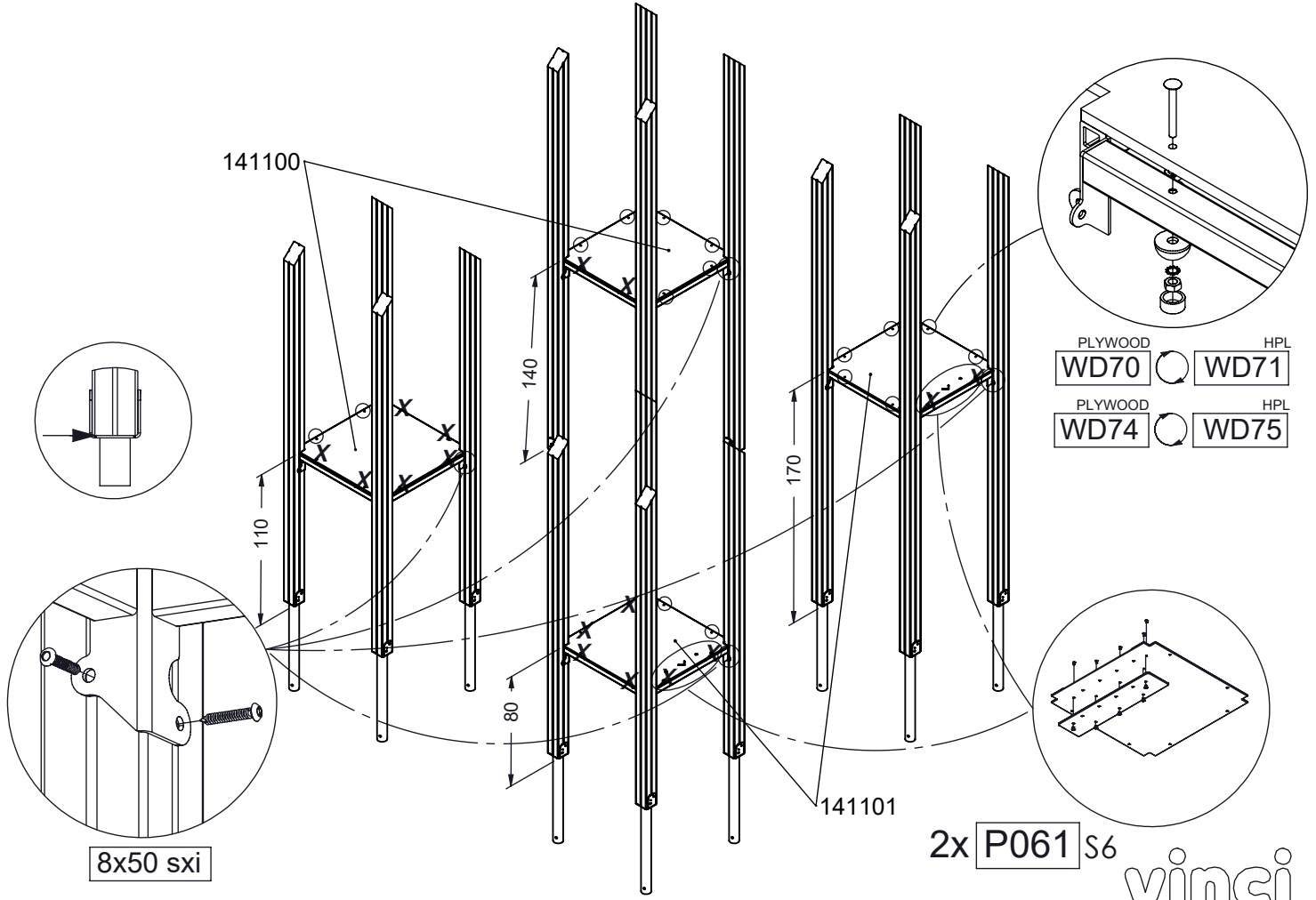
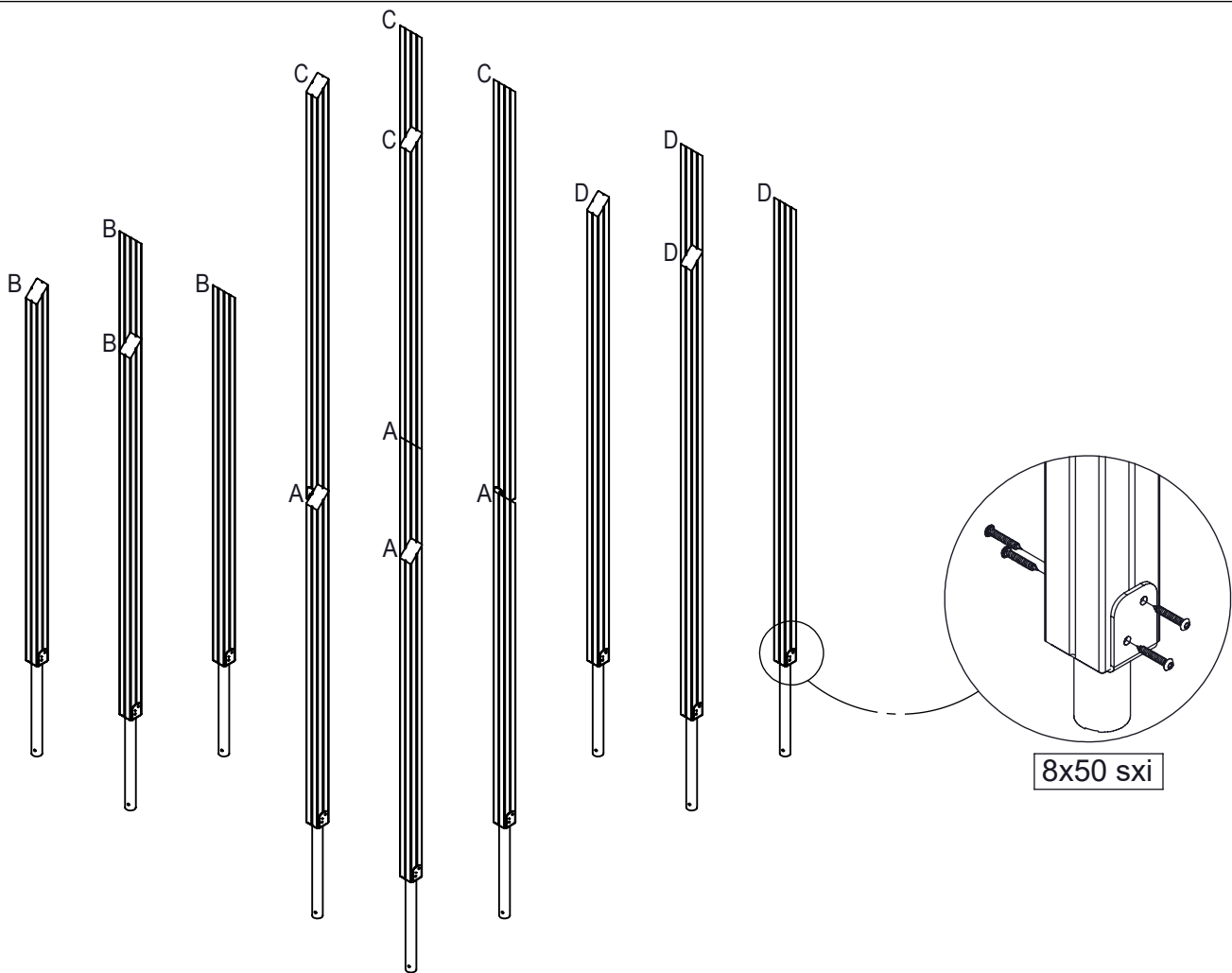
[cm]

vinci  
play

		PLYWOOD / HDPE		HPL	
258x	8x50 sxi	2x	WD74	2x	WD75
2x	E34 <sub>(K1,K3)</sub>	2x	WD70	2x	WD71
2x	E35 <sub>(K2)</sub>	3x	WD35	3x	WD36
2x	E39	2x	WD28 <sub>(S1)</sub>	2x	WD29 <sub>(S1)</sub>
2x	E88 <sub>(K2,K3)</sub>	1x	WD37	1x	WD38
1x	V001	1x	WD40	1x	WD41
5x	WD14-4	4x	WD33	4x	WD34
3x	WD67	2x	WD113 <sub>(S6)</sub>	2x	WD114 <sub>(S6)</sub>
3x	WD68	1x	WD65	1x	WD90
1x	WD14-2	5x	WD63	5x	WD64
2x	WD66	3x	WD15	3x	WD16
6x	WD52	1x	CE6	1x	CL6
1x	GL <sub>K2, K3</sub>			2x	P061 <sub>S6</sub>
1x	SGL				
2x	WD79				



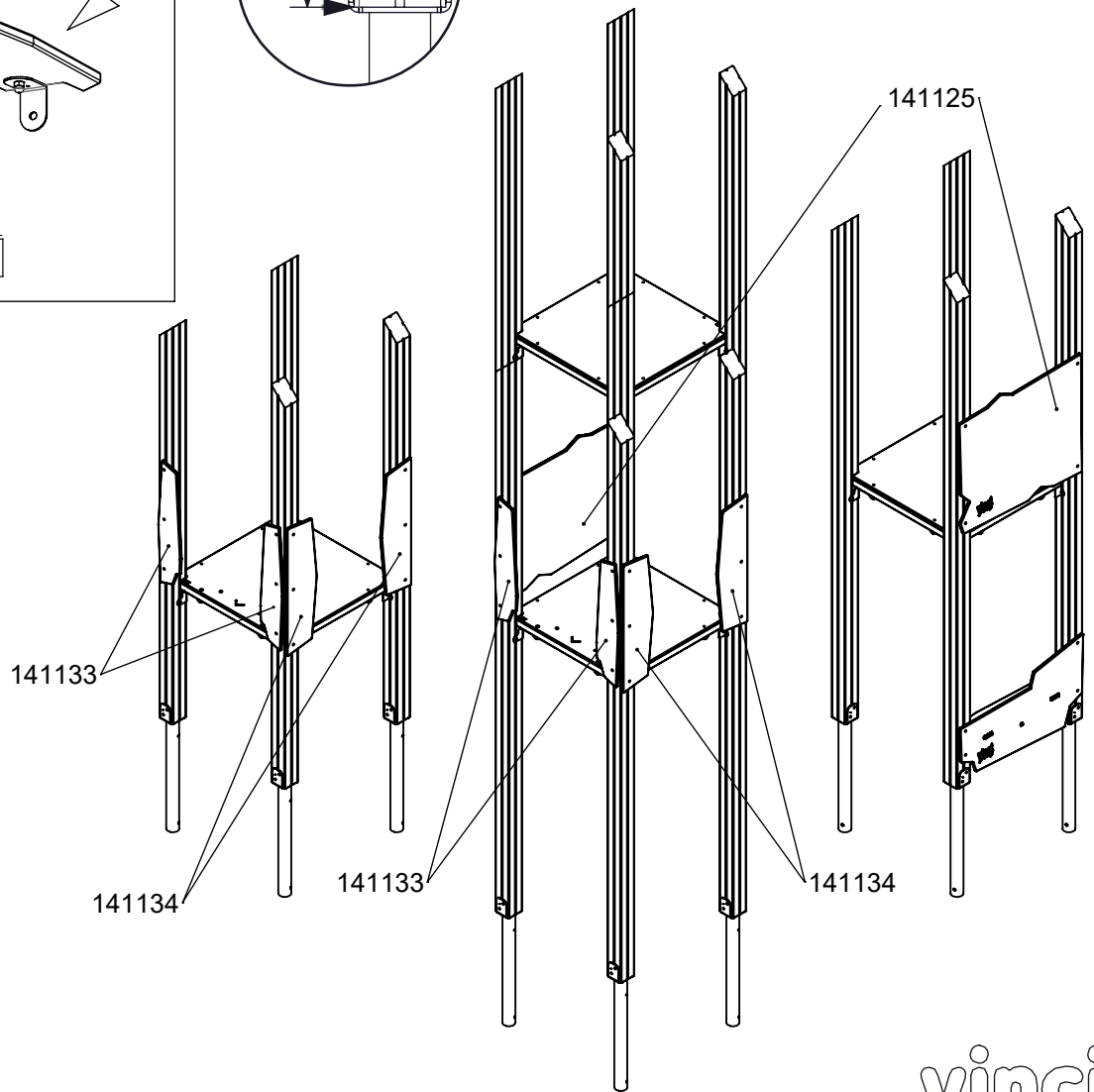
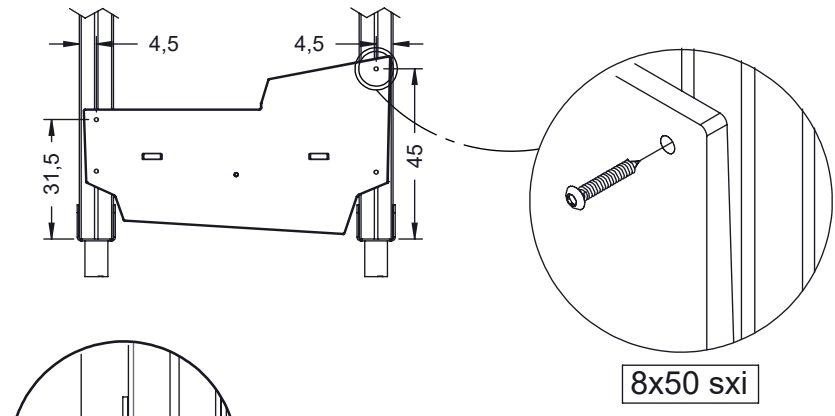
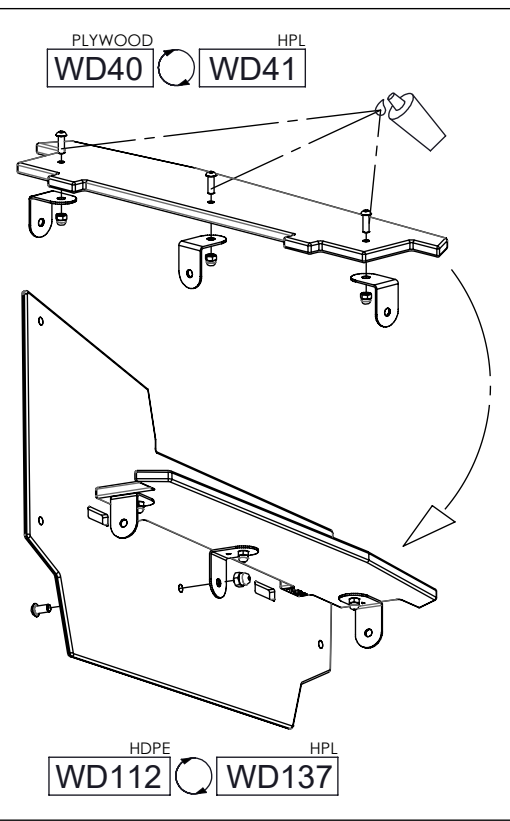
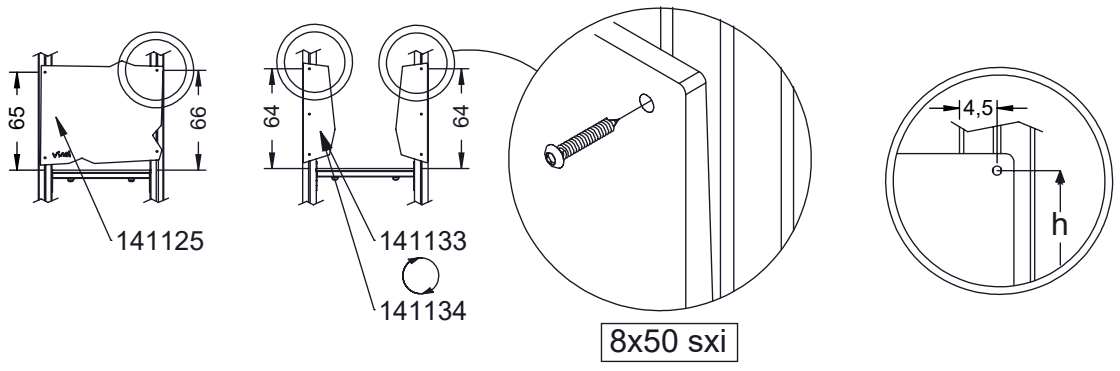




[cm]

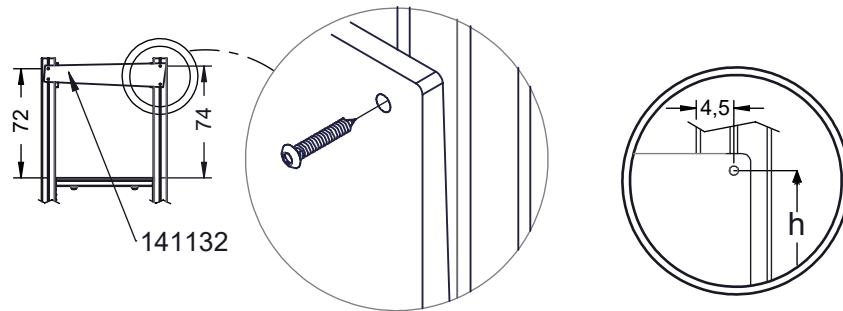


vinci play

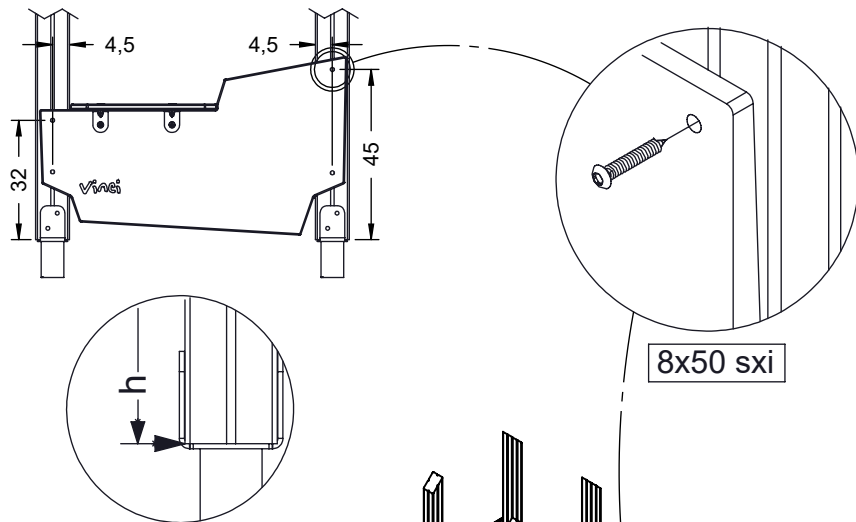
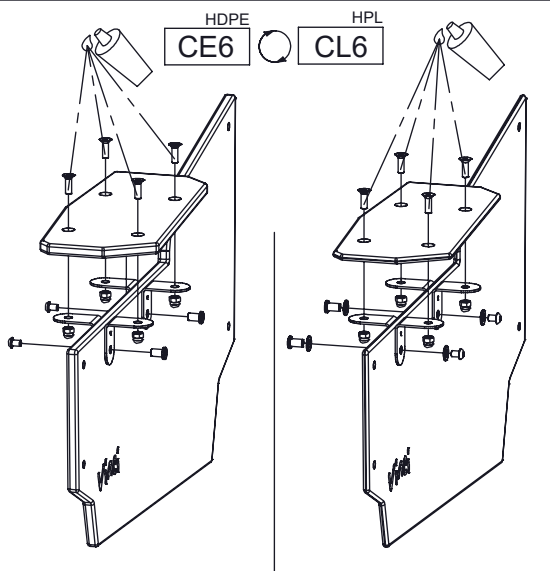


[cm]

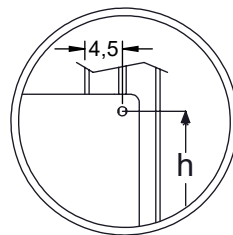
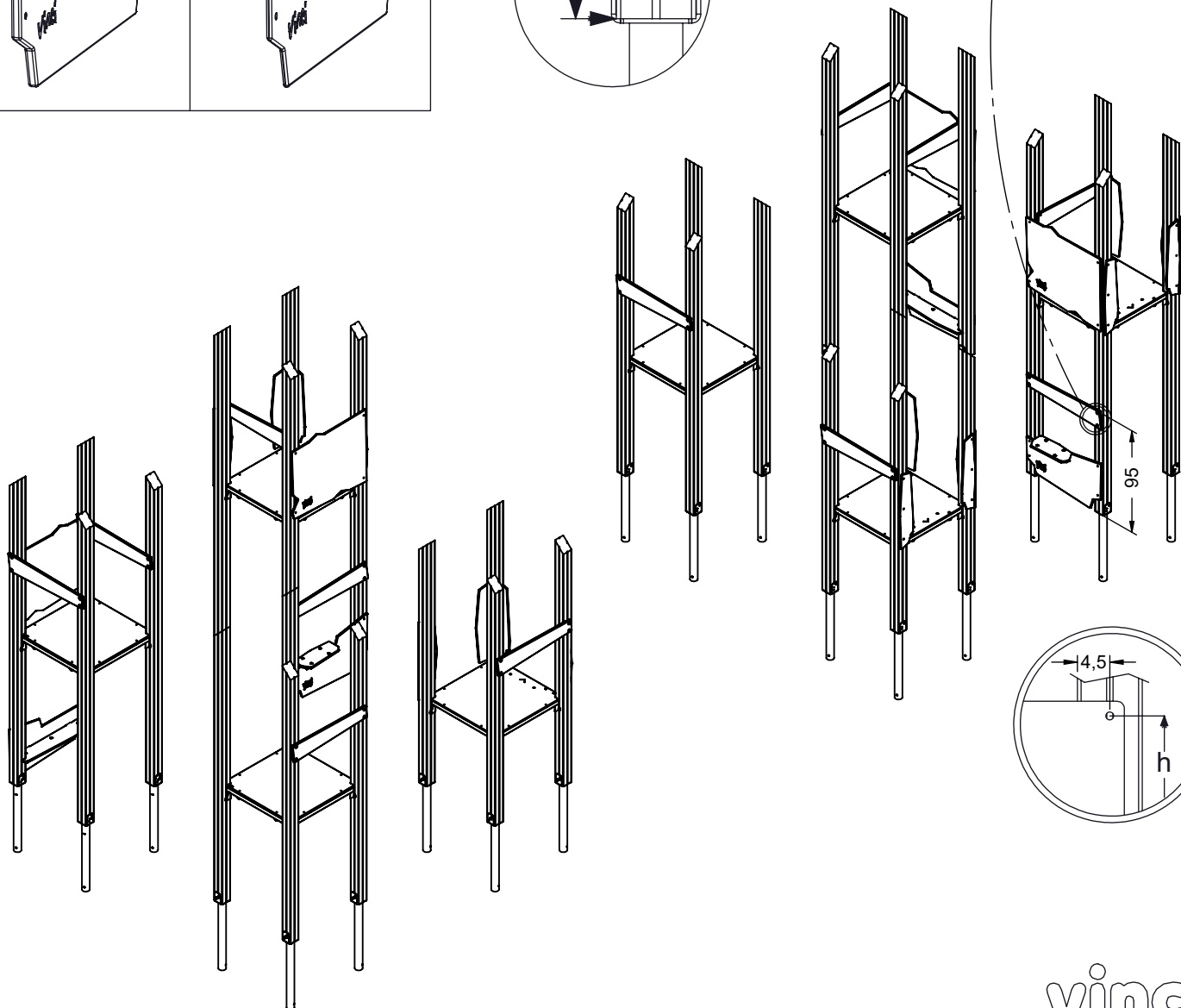
vinci  
play



8x50 sxi



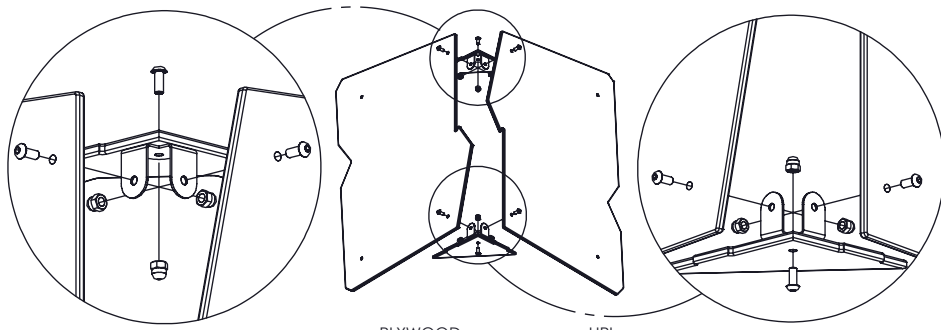
8x50 sxi



[cm]

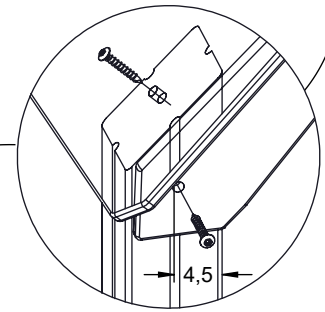
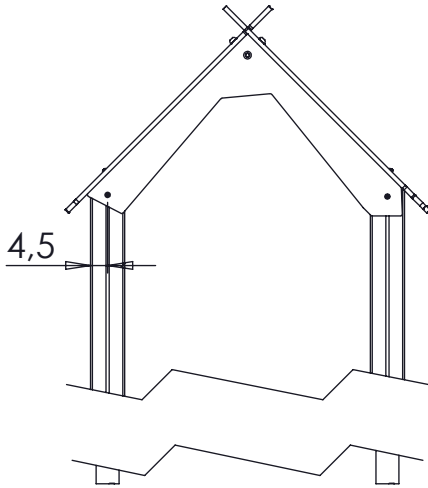
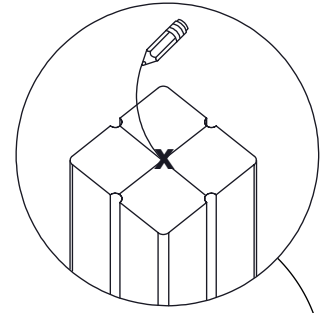


vinci  
play

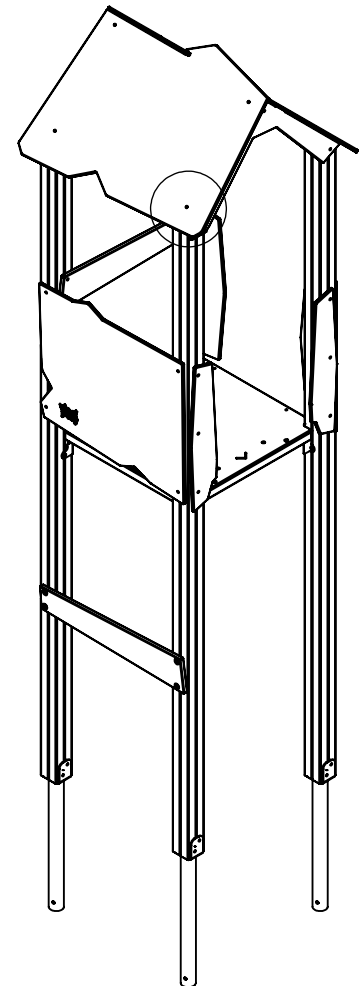
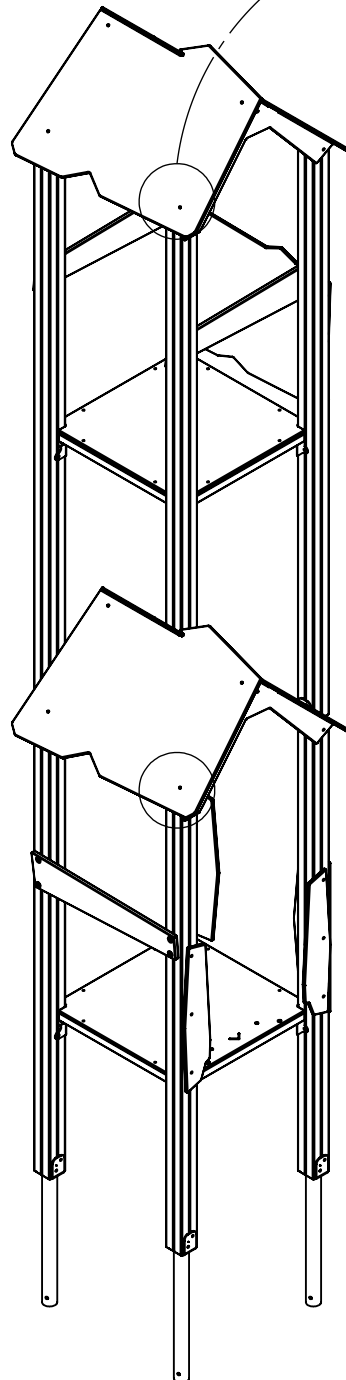
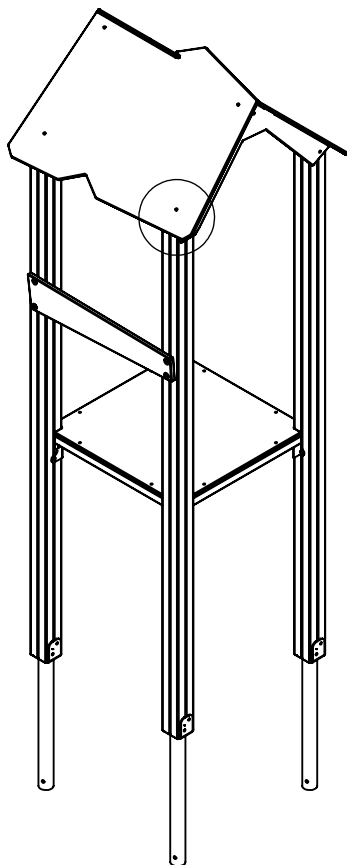


PLYWOOD  
WD33

HPL  
WD34



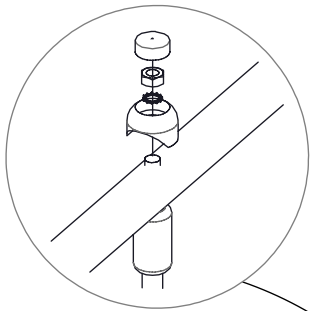
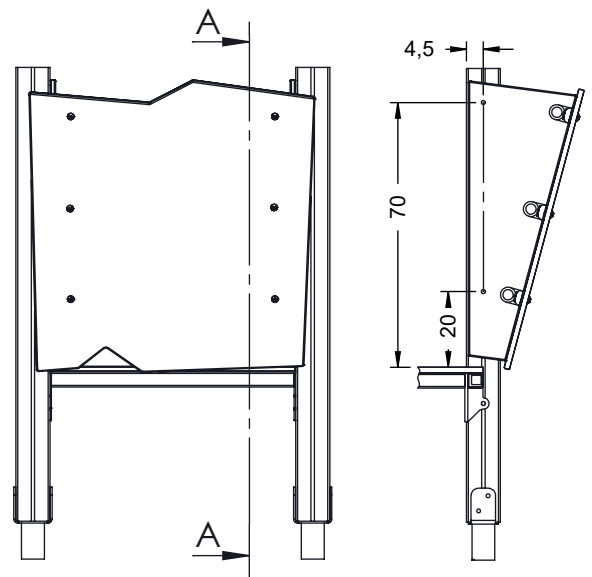
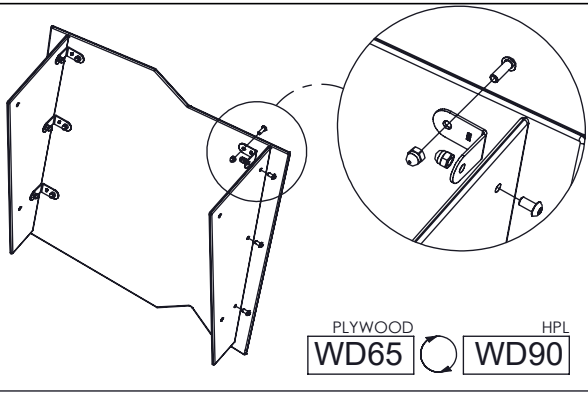
8x50 sxi



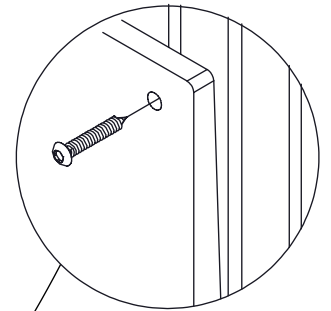
[cm]



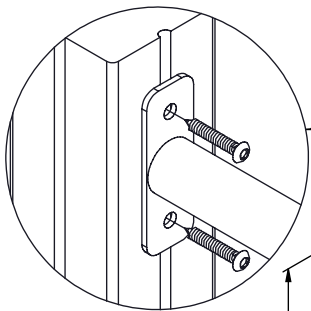
vinci  
play



WD14-2



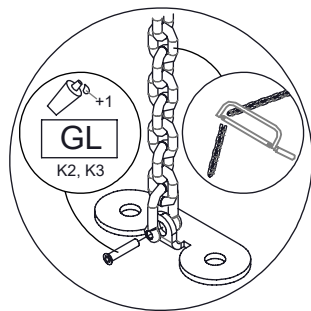
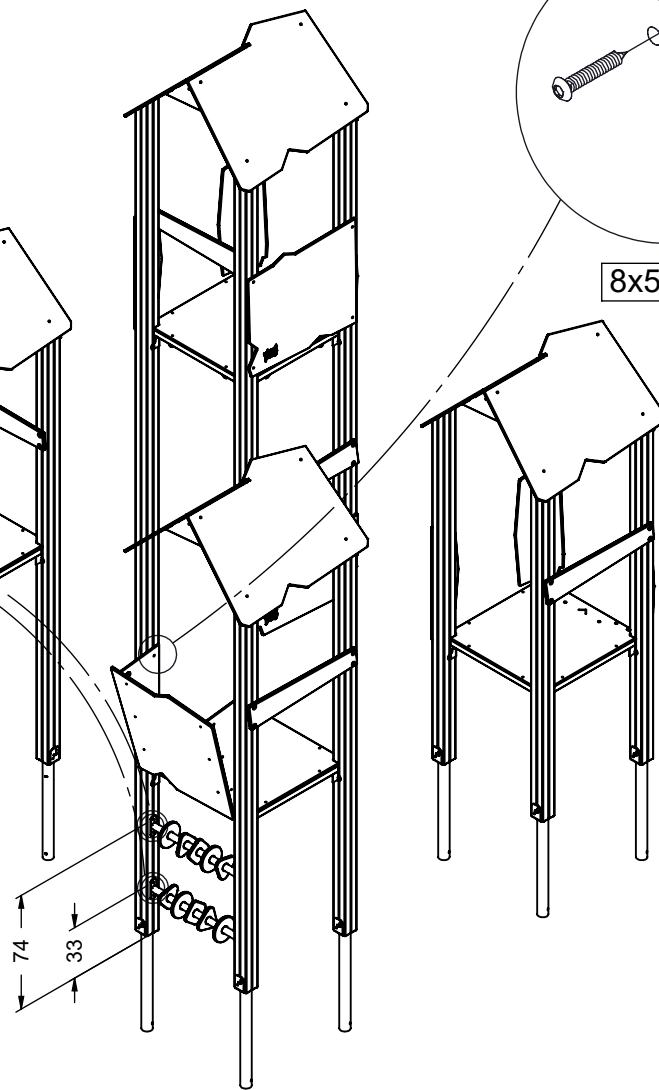
8x50 sxi



8x50 sxi

142137

113

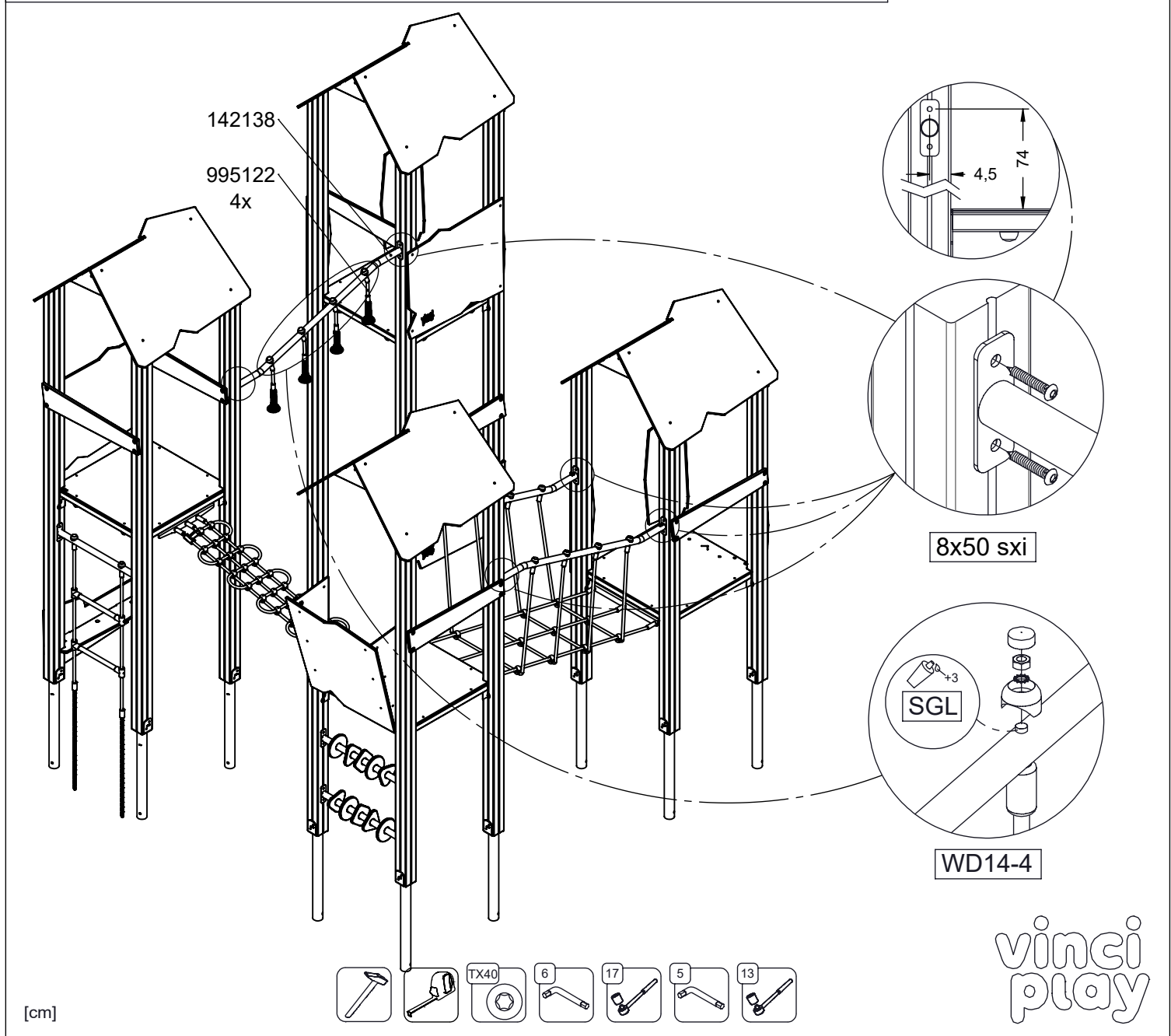
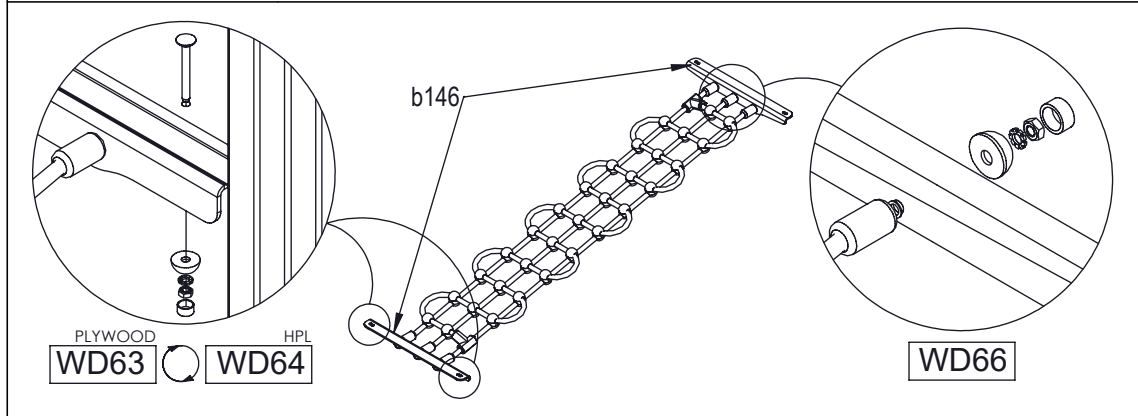
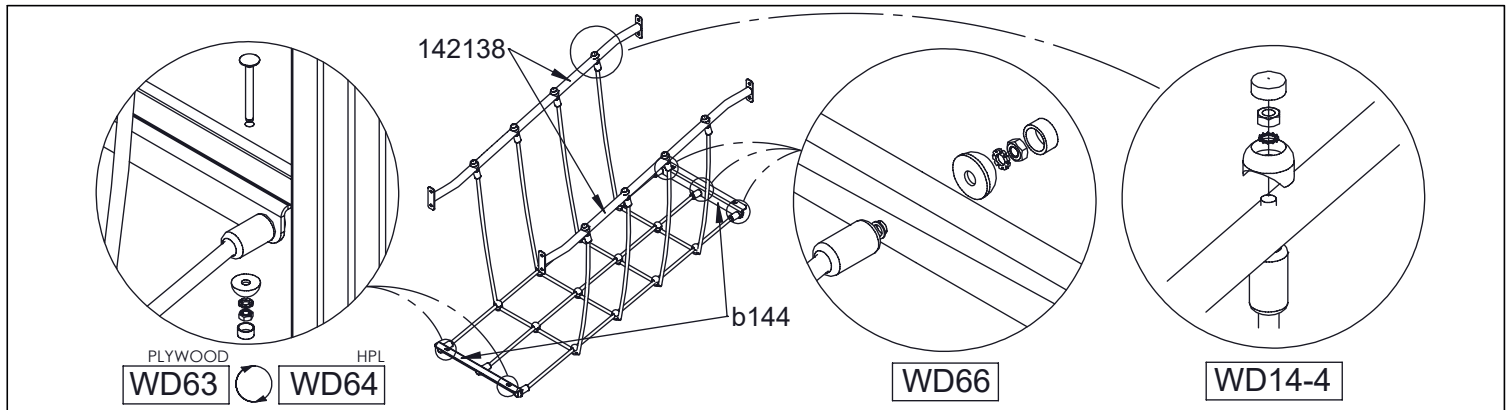


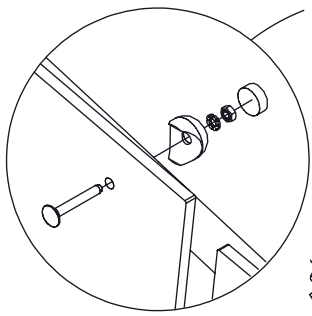
WD52



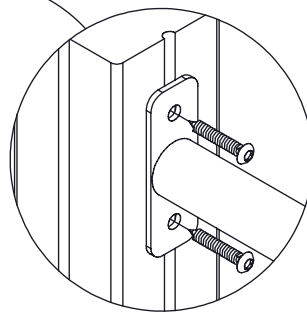
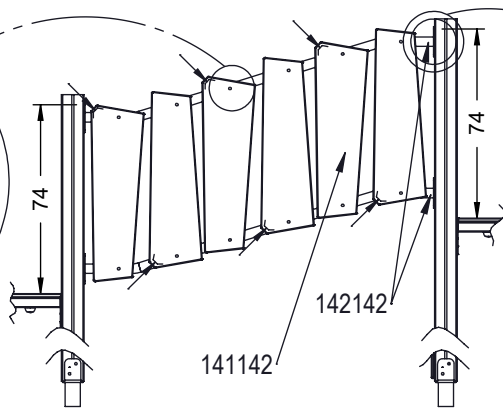
[cm]

vinci  
play

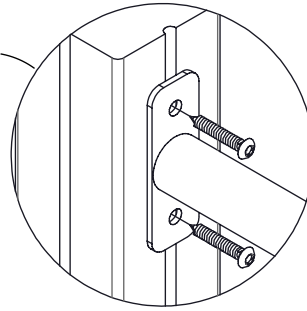
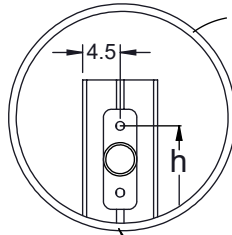
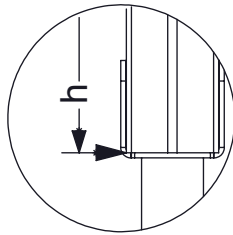
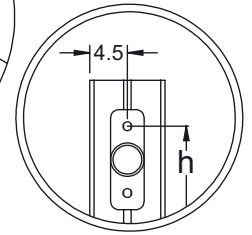




WD79

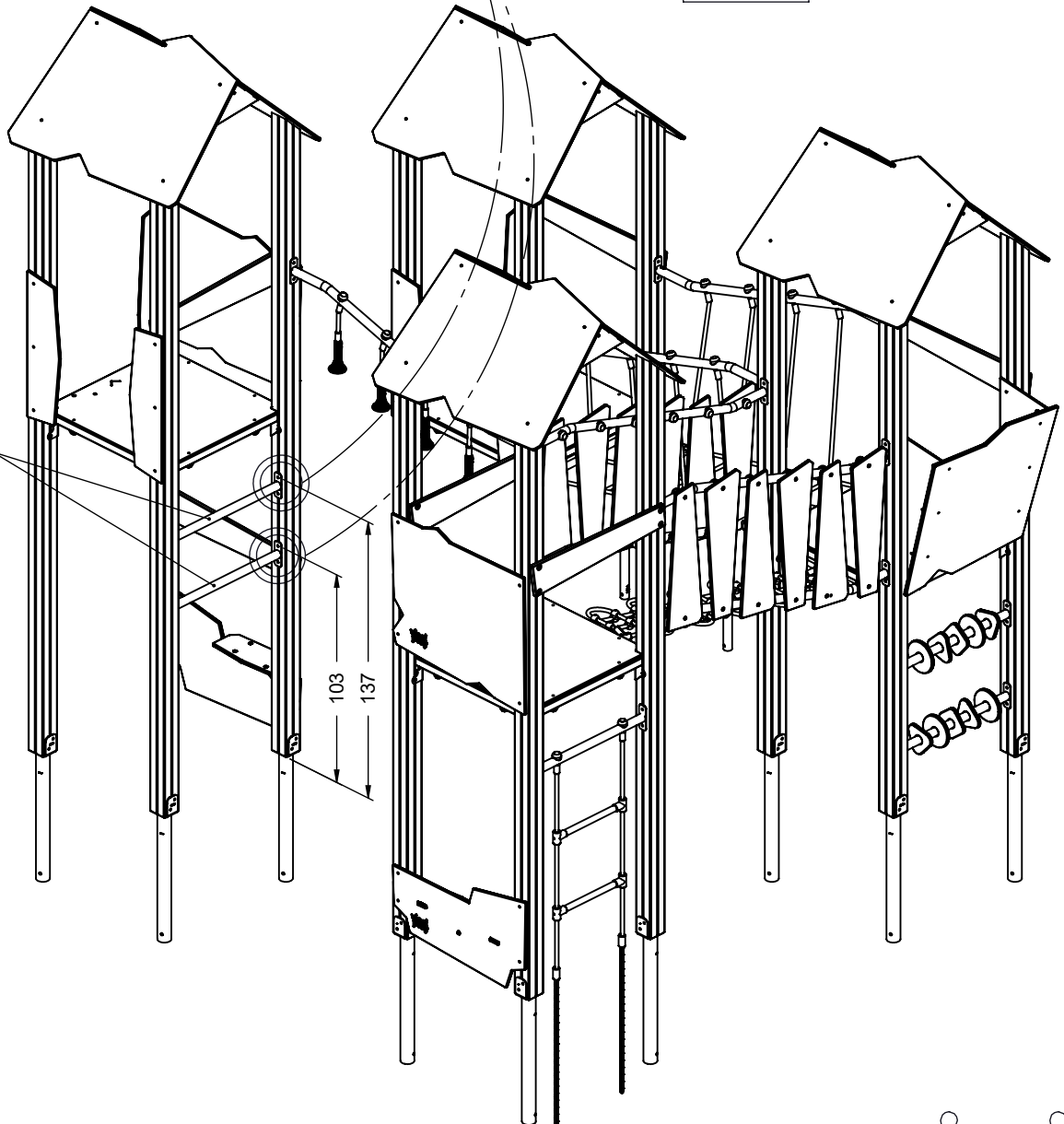


8x50 sxi



8x50 sxi

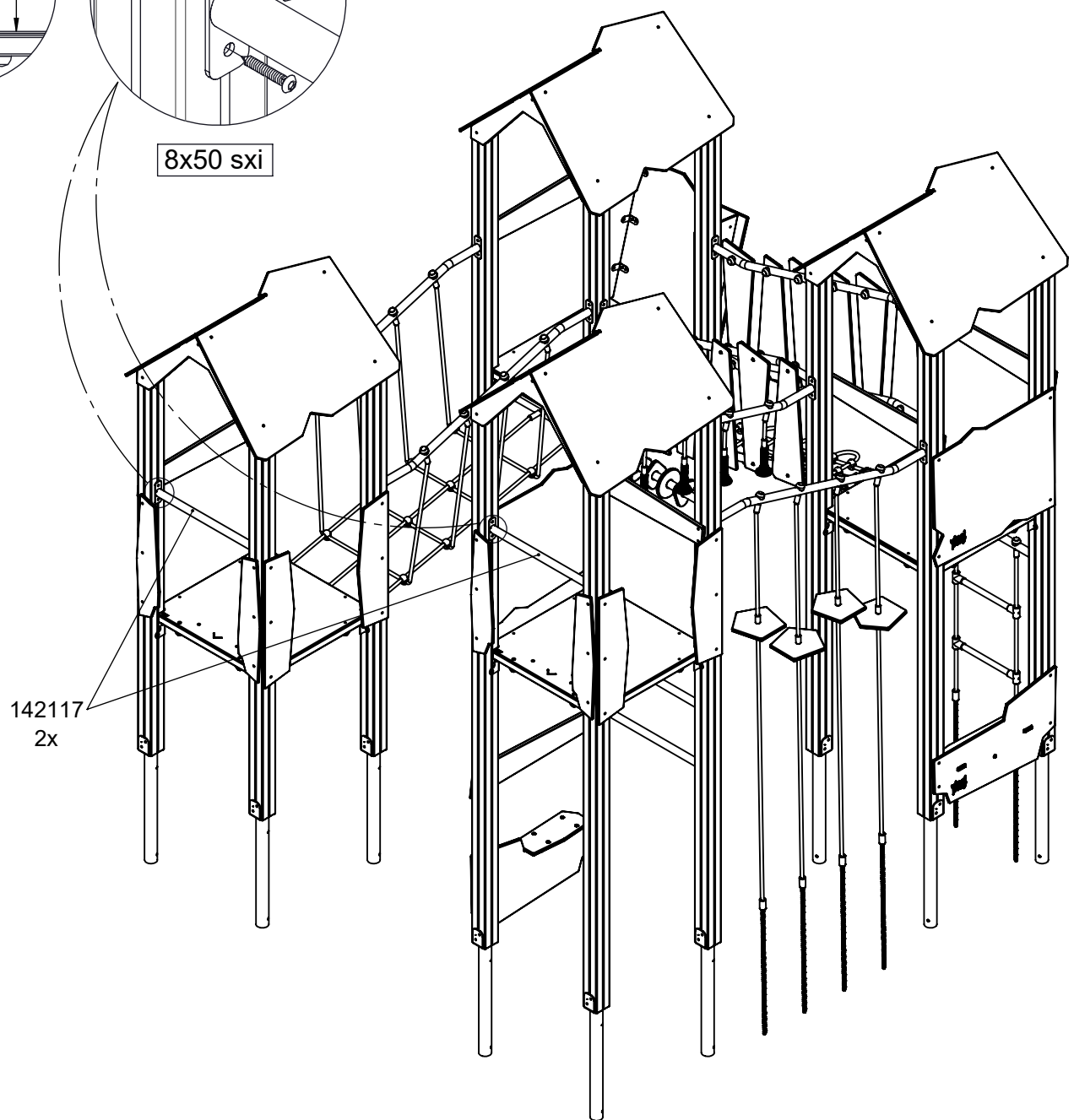
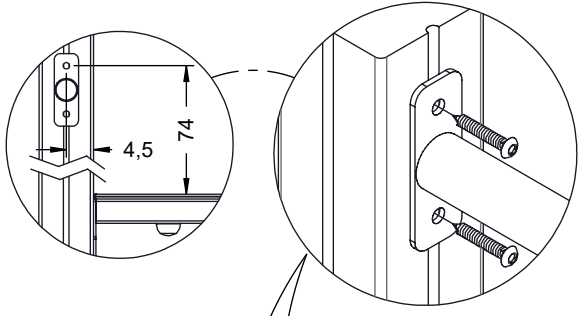
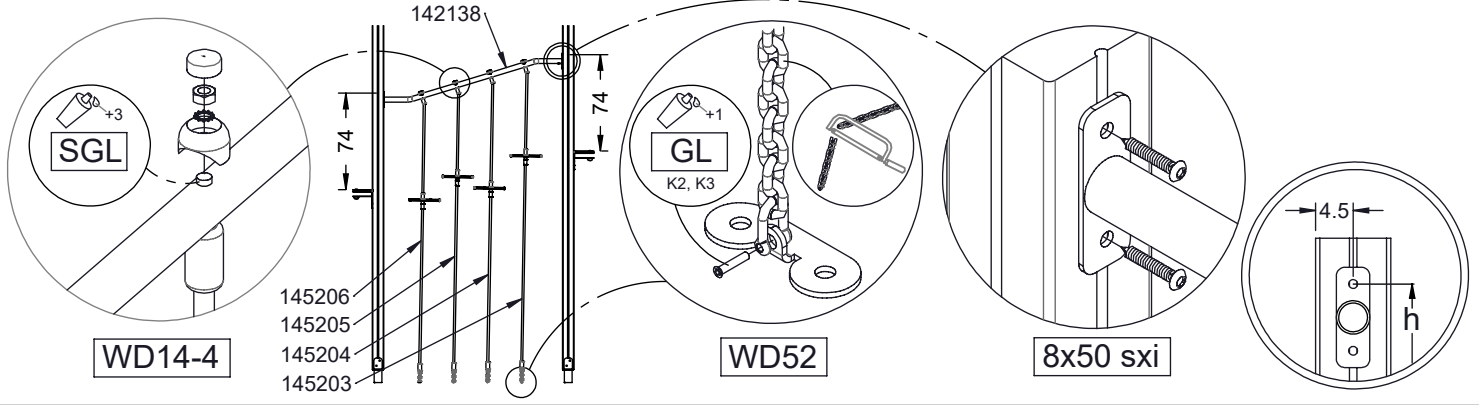
142117  
2x



[cm]



vinci  
play

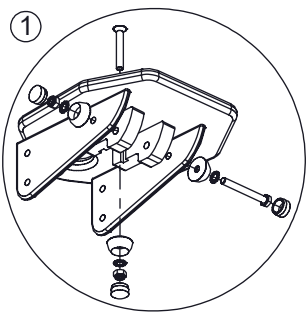


[cm]

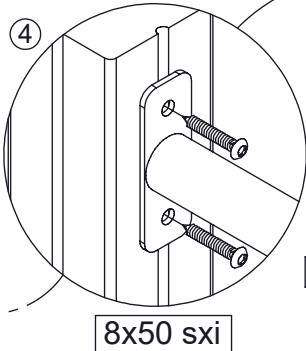
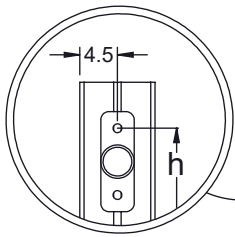
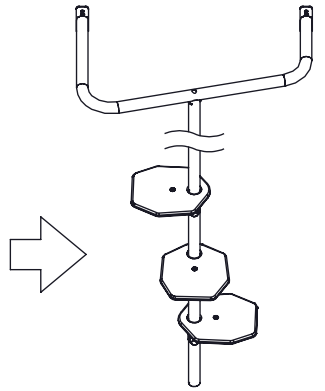
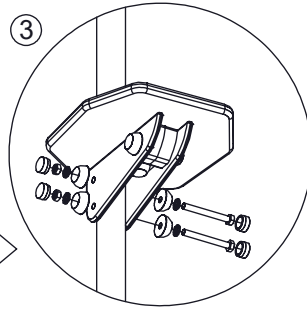
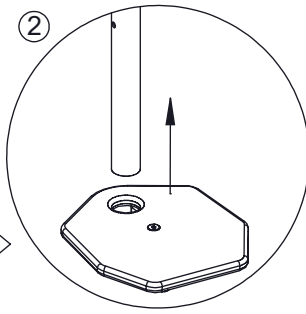


vinci  
play

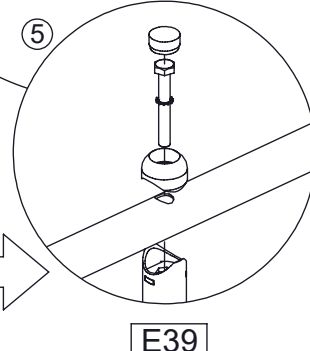
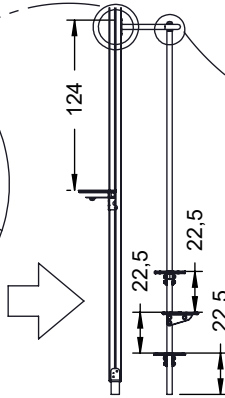




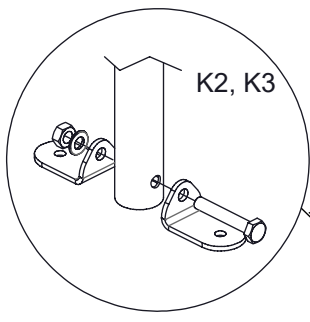
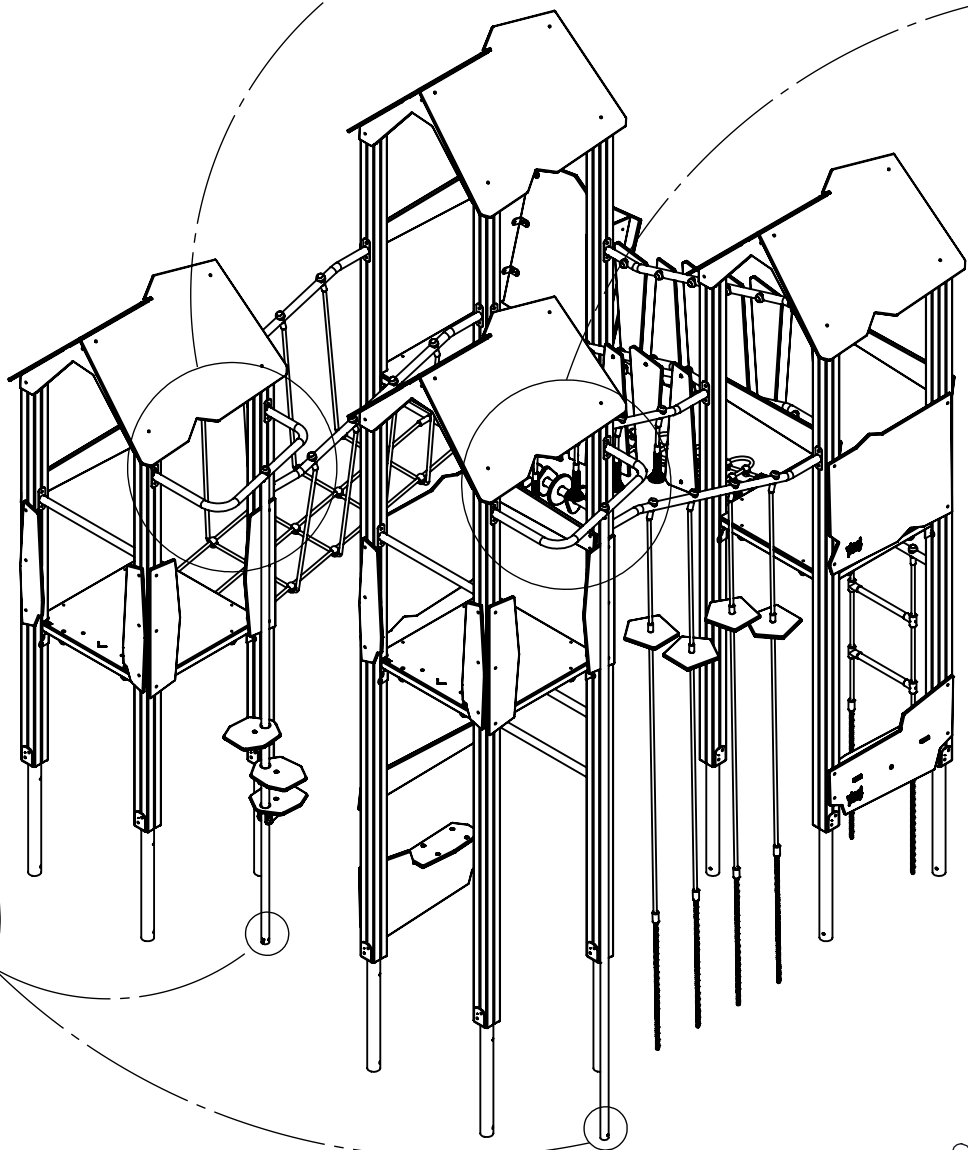
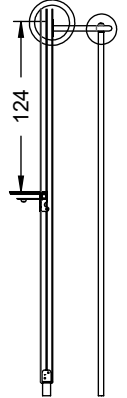
WD67 WD68



8x50 sxi

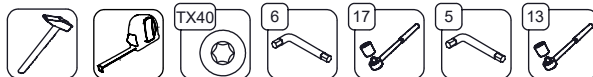


E39



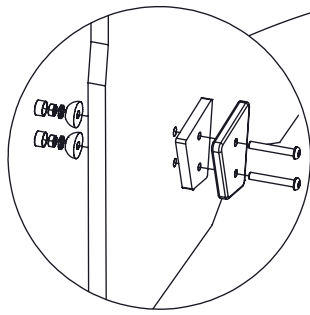
K2, K3

E38

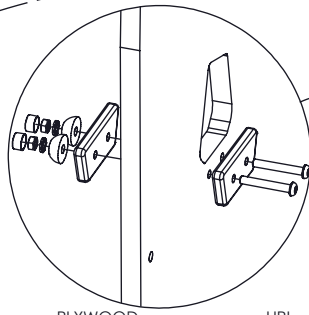


[cm]

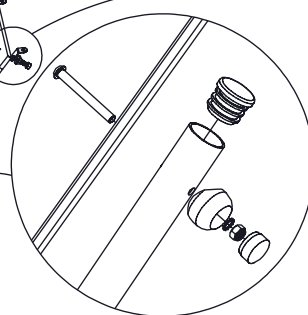
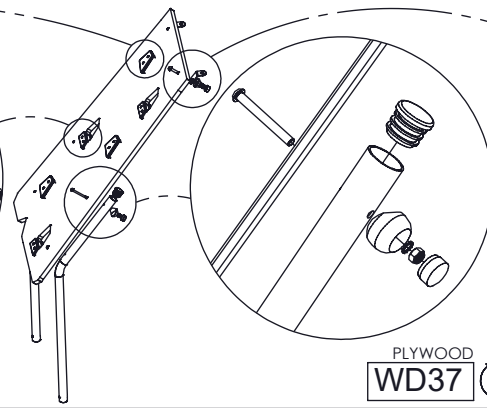
vinci play



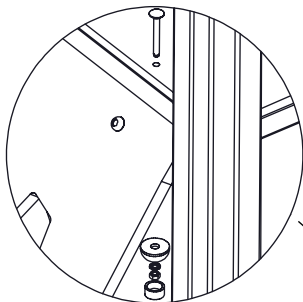
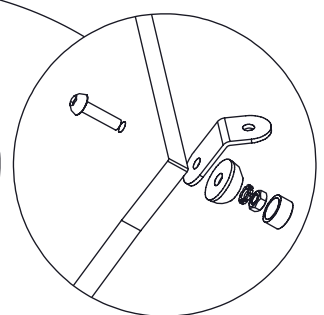
PLYWOOD HPL  
WD15 WD16



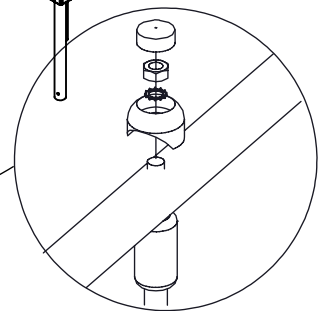
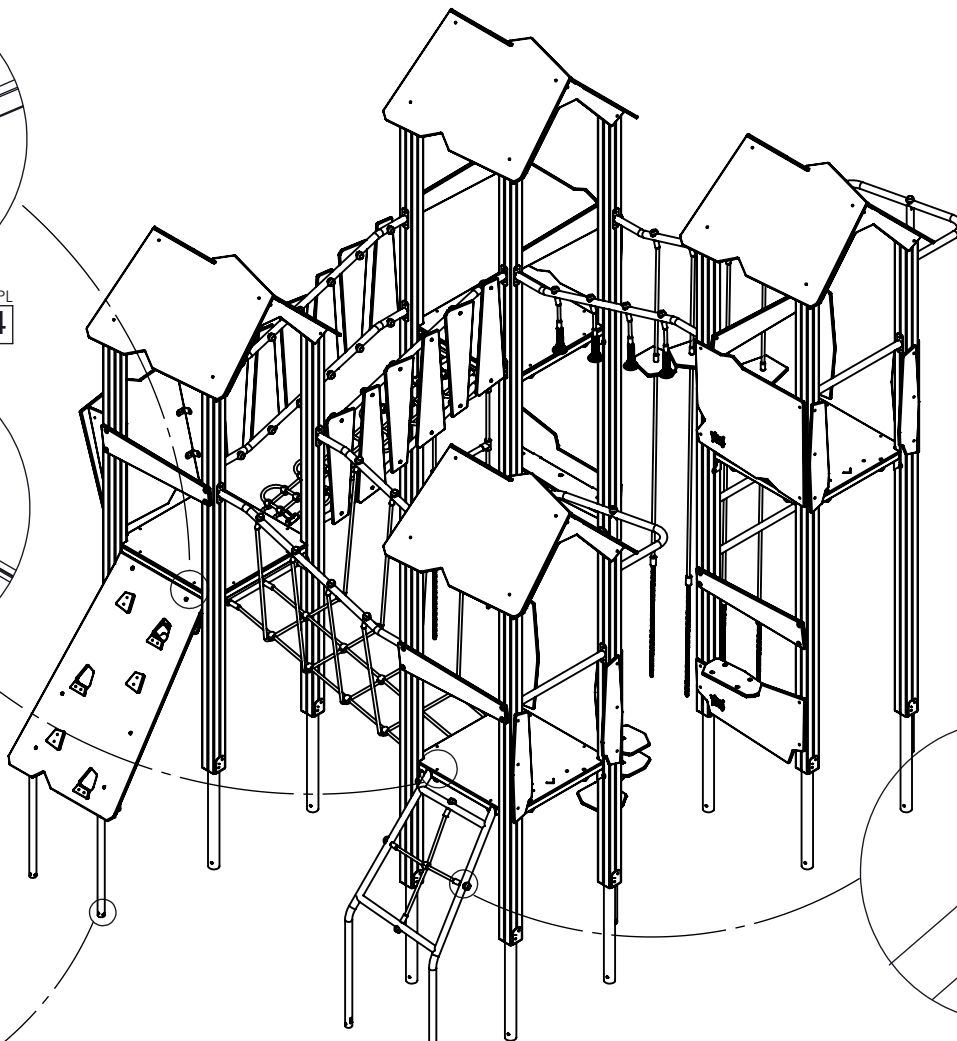
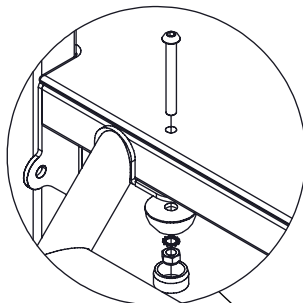
PLYWOOD HPL  
WD35 WD36



PLYWOOD HPL  
WD37 WD38

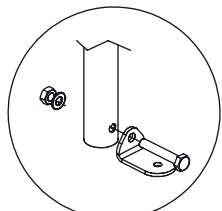


PLYWOOD HPL  
WD63 WD64



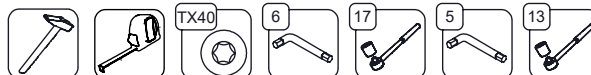
WD14-4

K2, K3

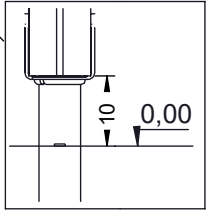
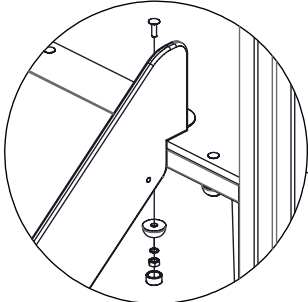
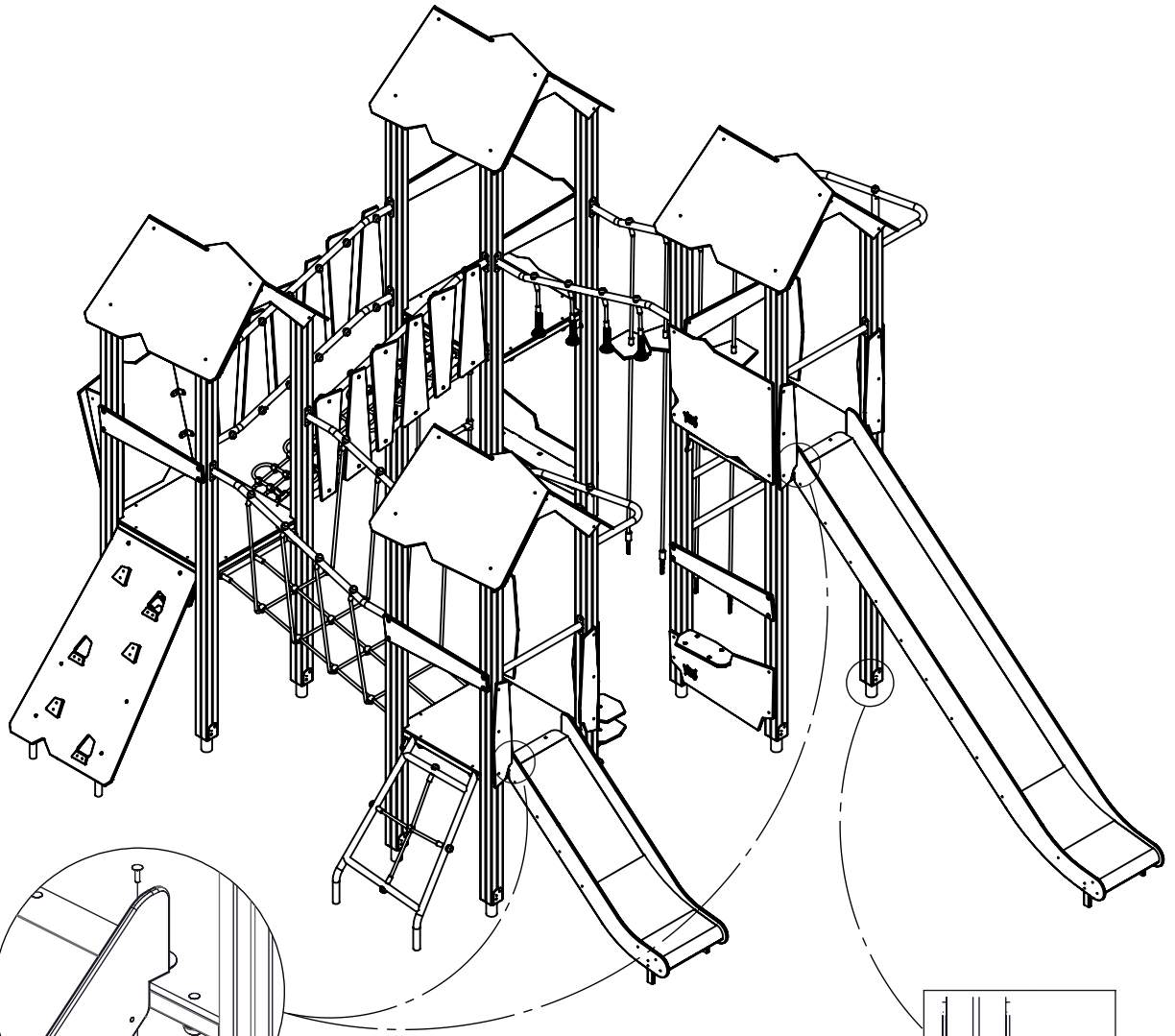


E88

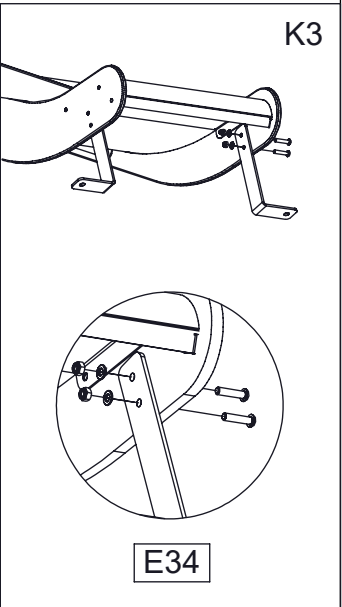
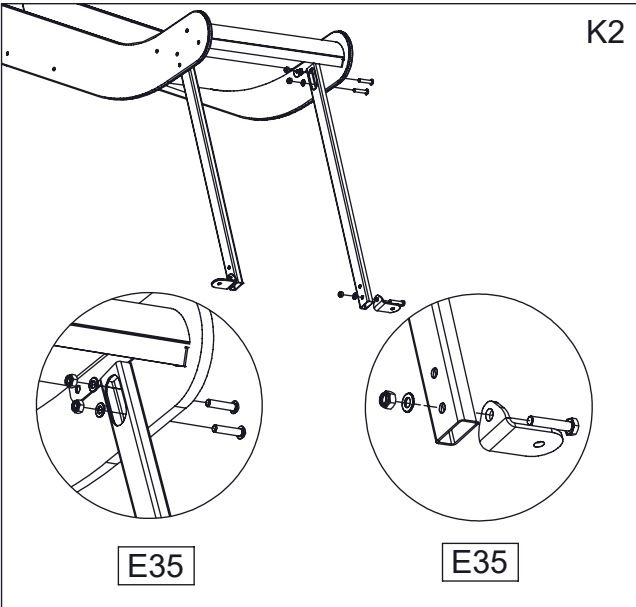
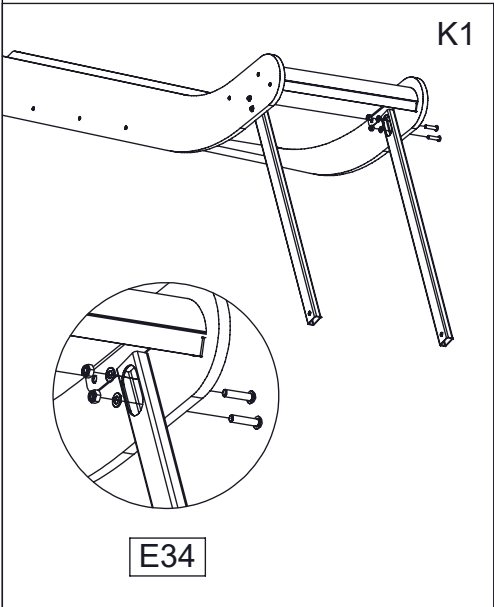
[cm]



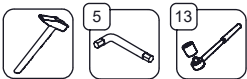
vinci  
play



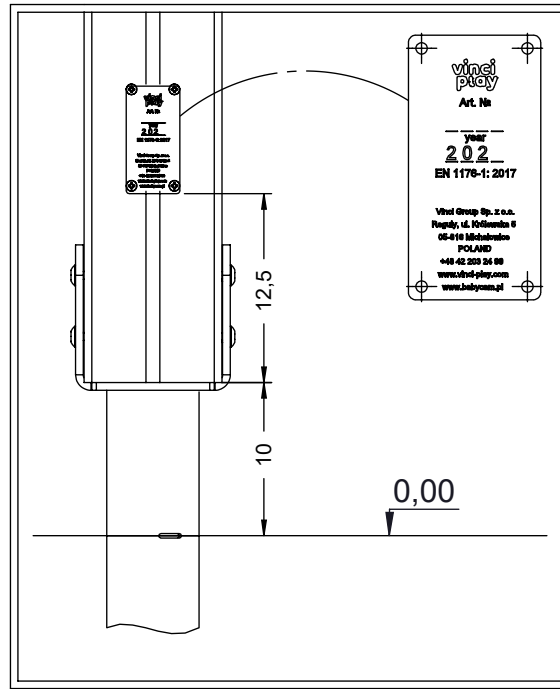
PLYWOOD		HPL
WD28	(S1)	WD29
PLYWOOD		HPL
WD113	(S6)	WD114



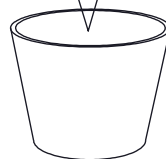
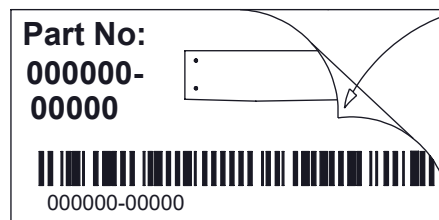
[cm]



vinci  
play



V001



[cm]



vinci  
play