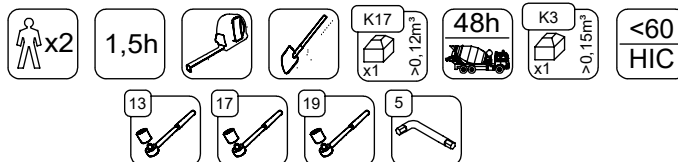
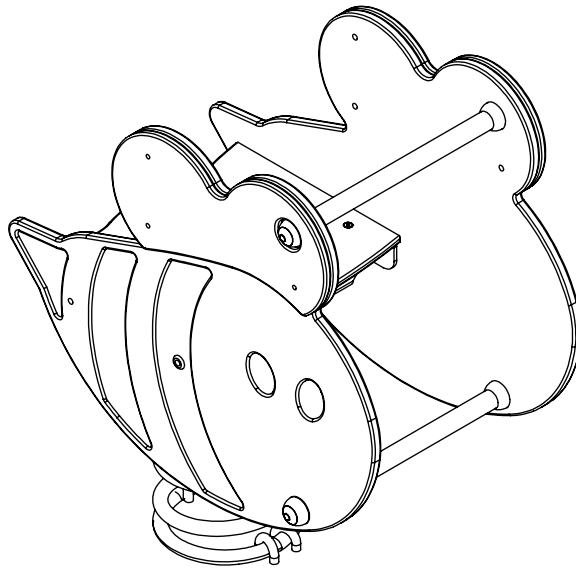
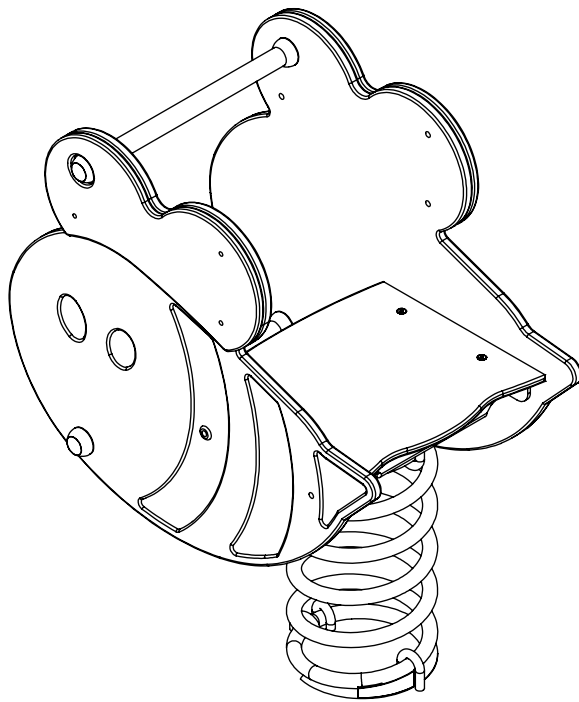
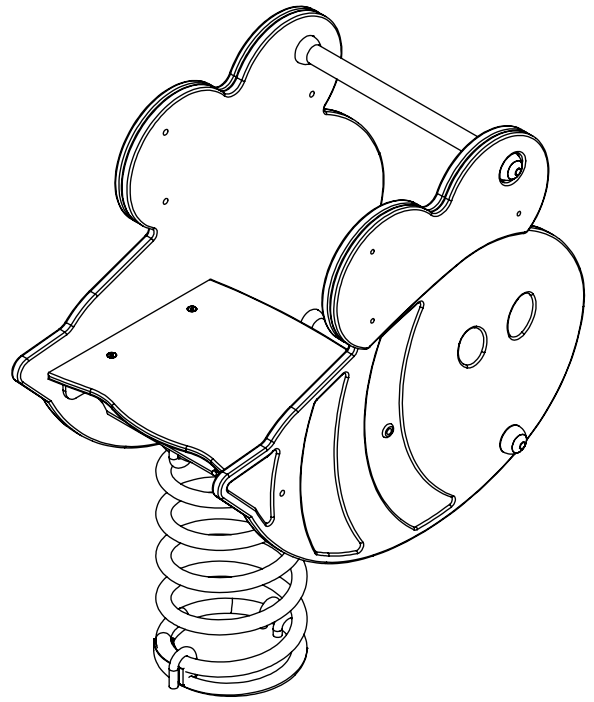


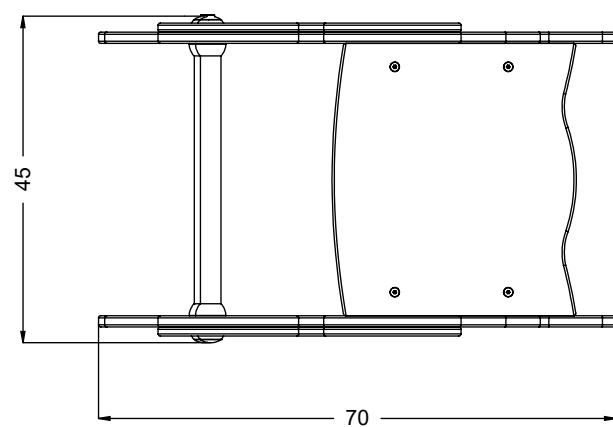
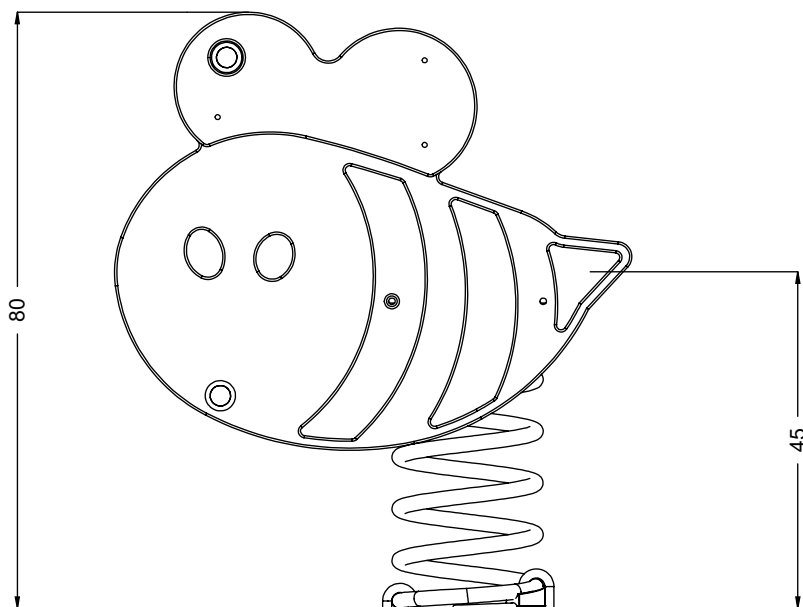
0608-2



v010
30.11.2021
A. D.
[cm]

vinci
play

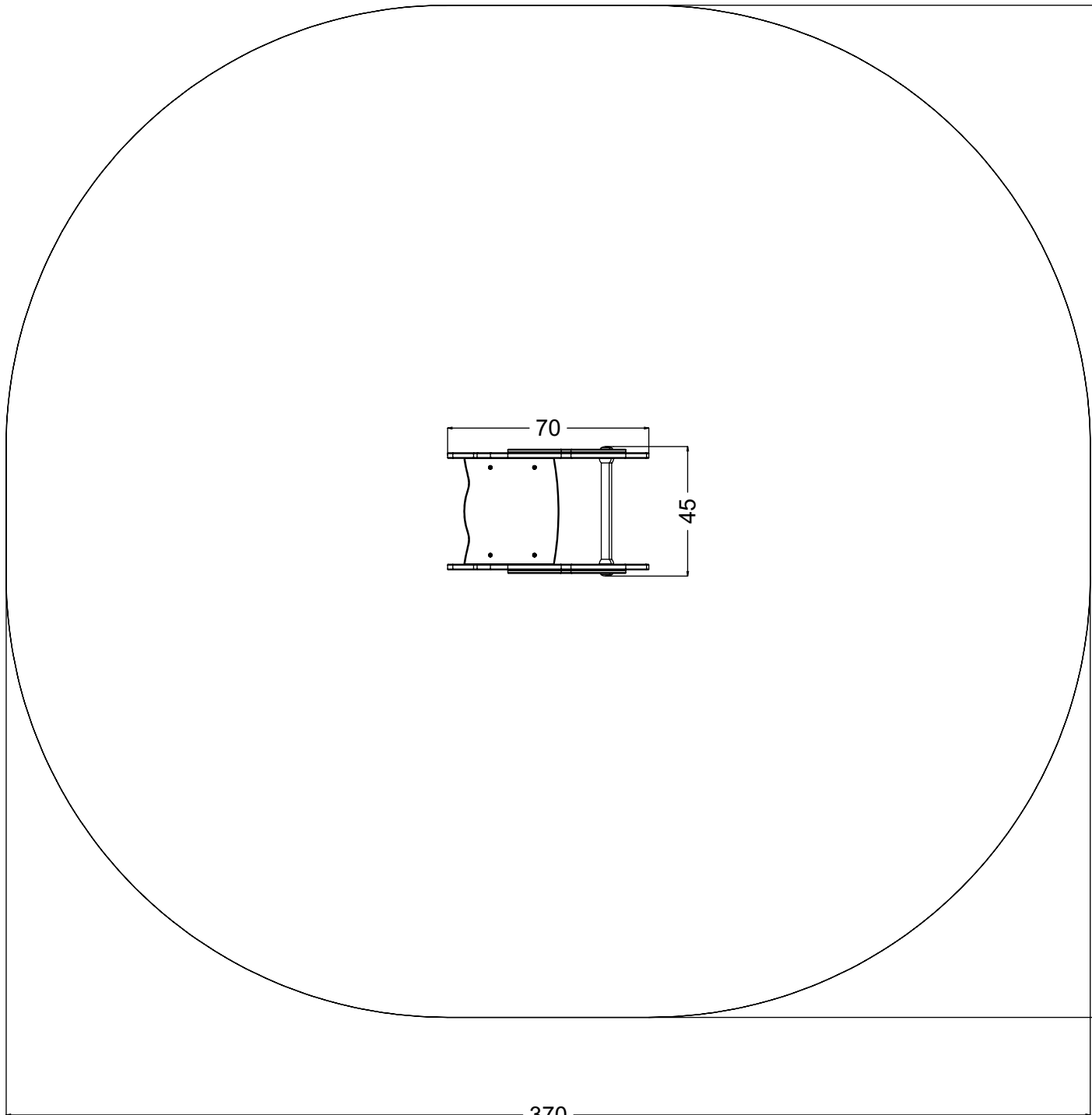




[cm]



vinci
play



[cm]



vinci
play

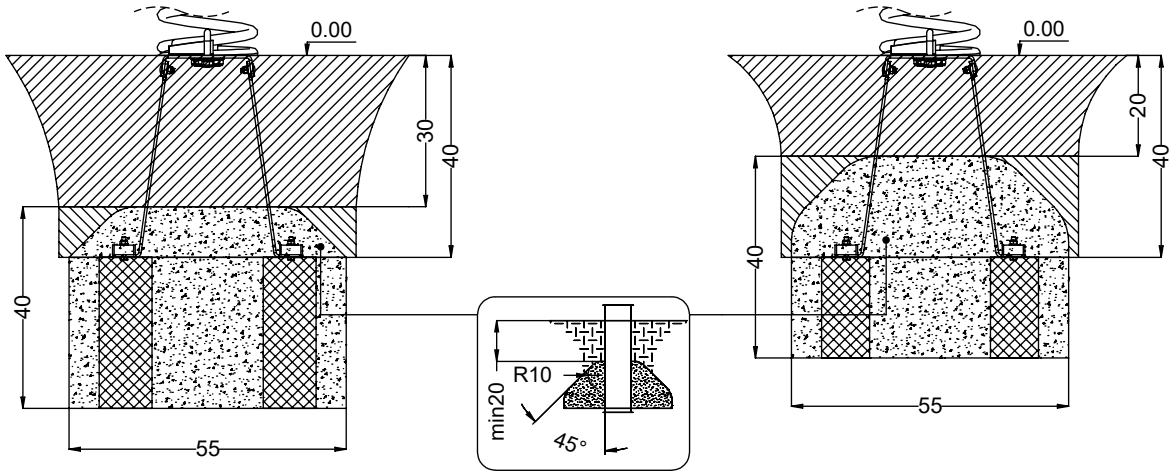
345

370




70

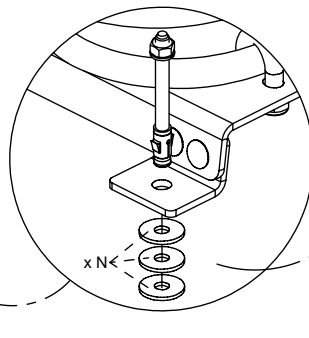
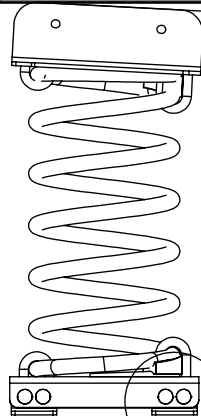
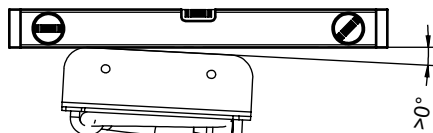
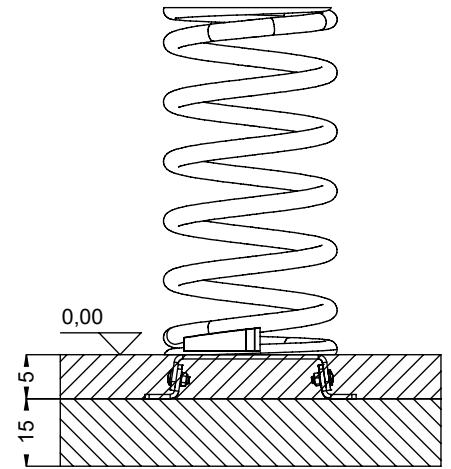
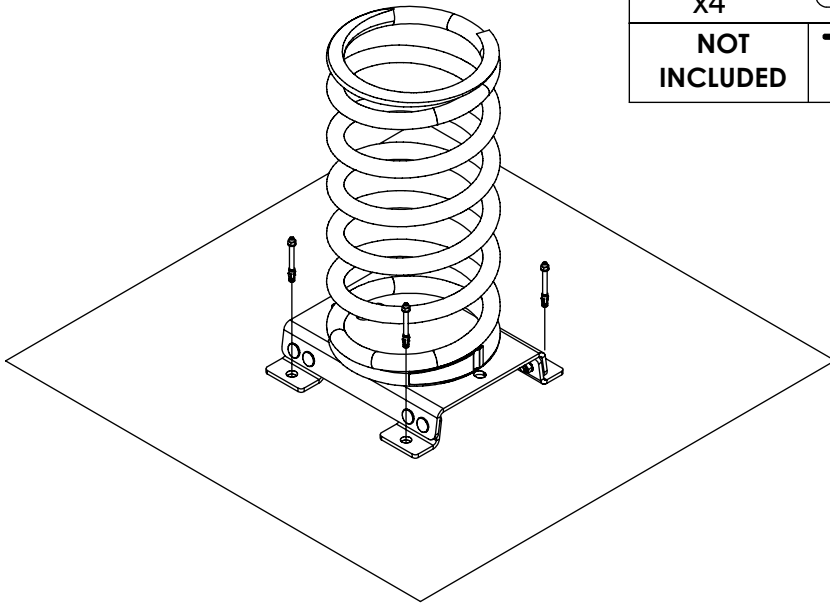
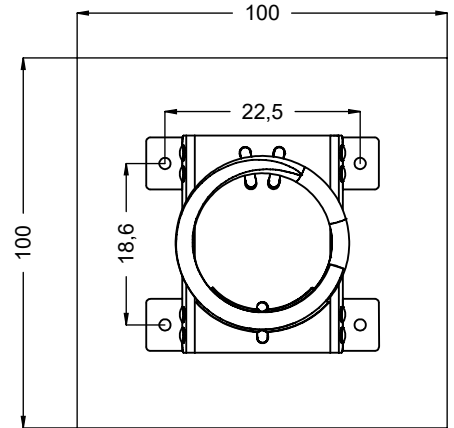
45

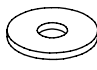

K17



K3

| | |
|---|---|
|  | K3 |
| M10x120 x4 |  |
| NOT INCLUDED |  |



| |
|---|
|  |
| M10 DIN 9021 |
| NOT INCLUDED  |

[cm]



1,5h



>0,12m³



>0,15m³

vinci play



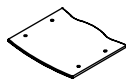
061256
x1



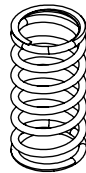
061257
x1



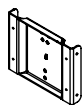
061258
x2



061144
x1



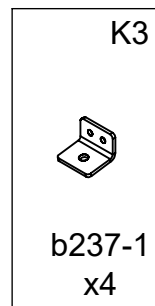
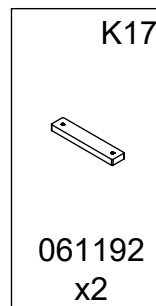
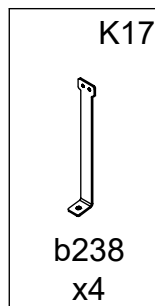
993119
x1



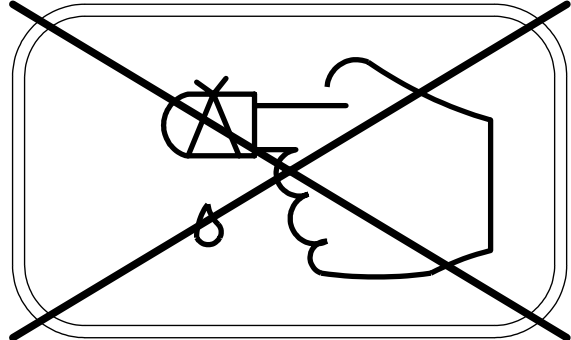
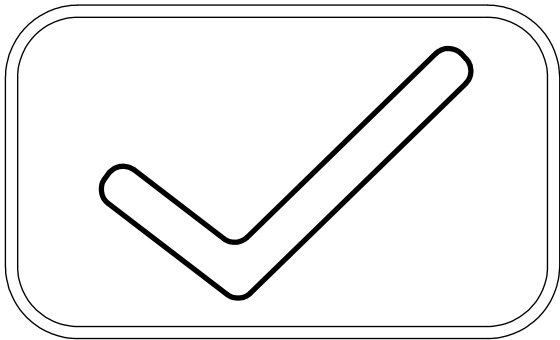
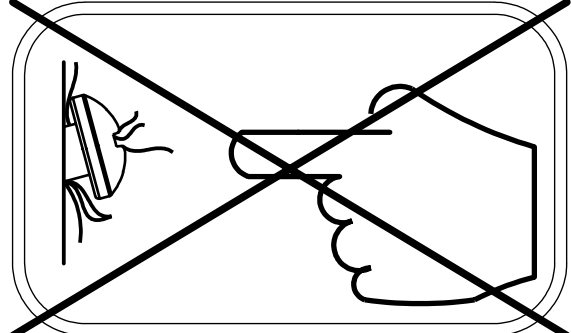
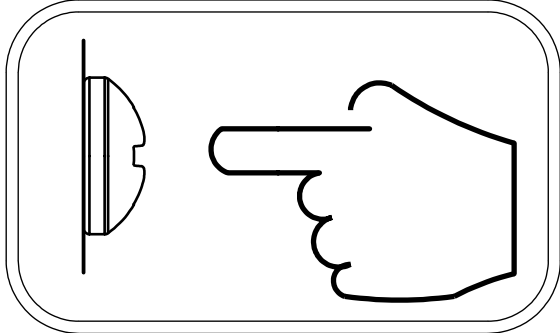
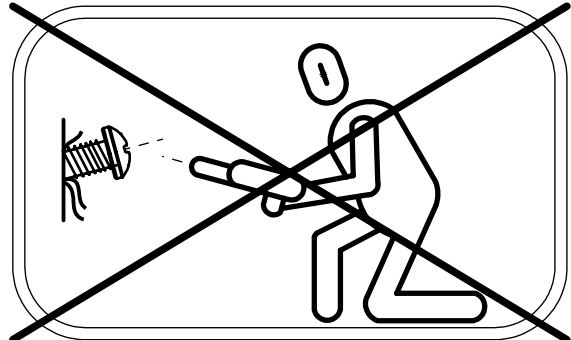
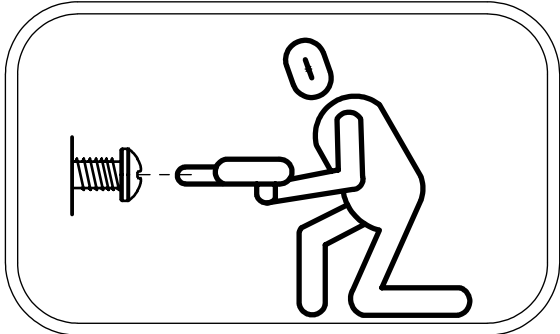
b233
x1



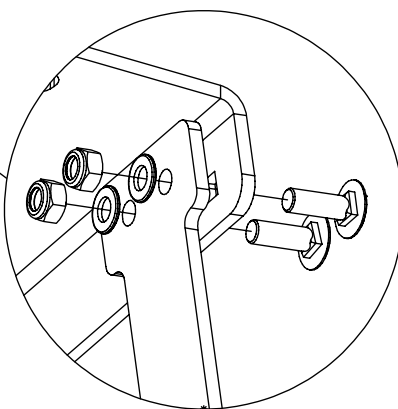
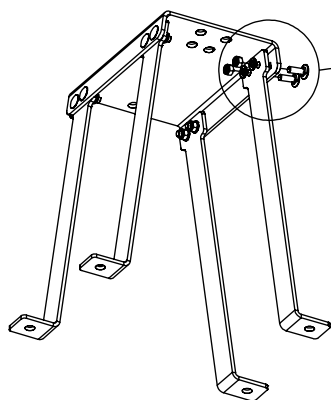
b239
x1



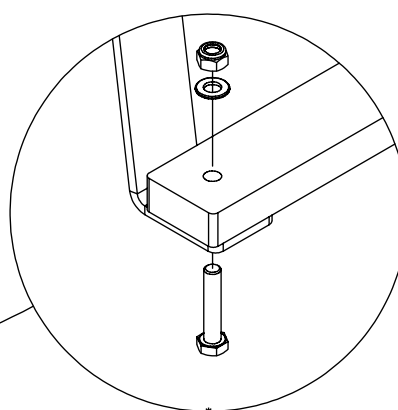
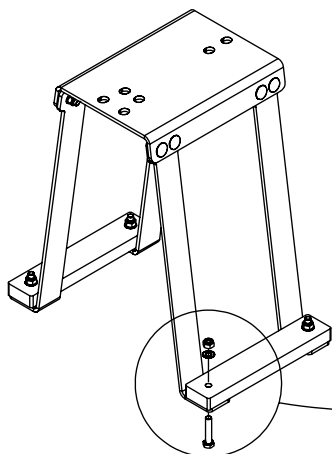
| ST/INOX | | HDPE | |
|---------|---------------------------|------|-------------------------|
| 1x | SP3 _(K17) | 1x | SP10 |
| 1x | SP1 _(K3 K17) | 1x | SP11 |
| 2x | SP2 | 1x | SP12 |
| 1x | V001 | 1x | SP24 |
| | | 1x | SP70 _(C12) |
| | | 1x | SP96 _(C11) |
| | | 1x | SP96Q _(C11Q) |



K17

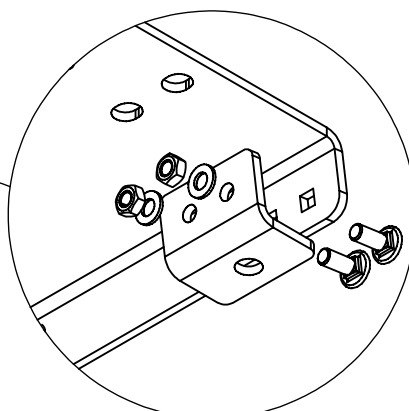
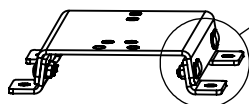


SP1 x1



SP3 x1

K3

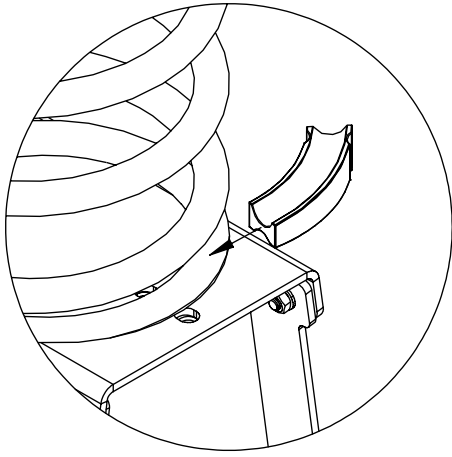


SP1 x1

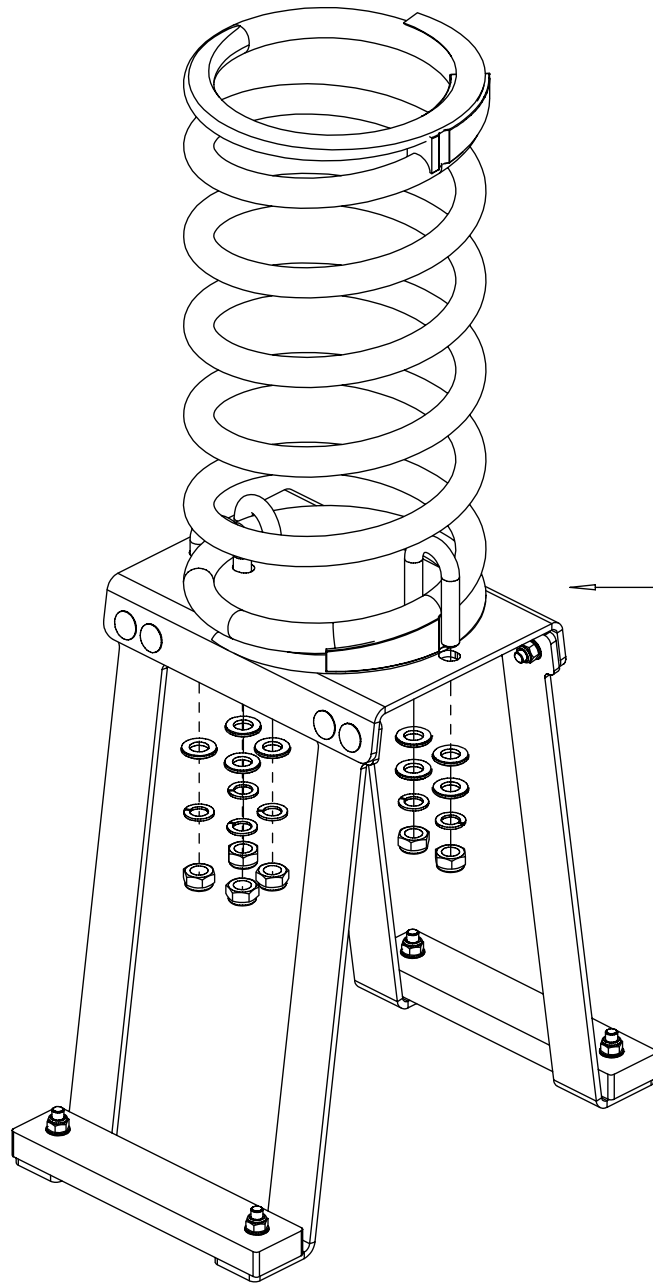
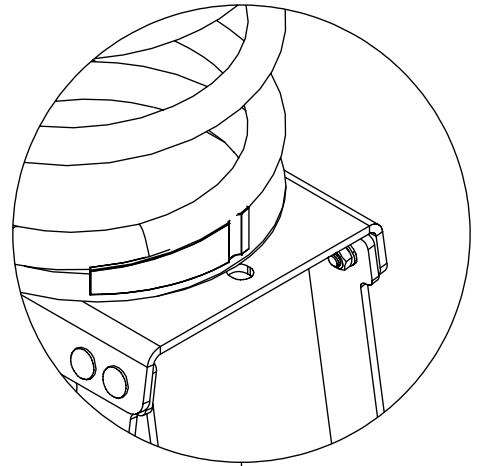
[cm]



vinci
play



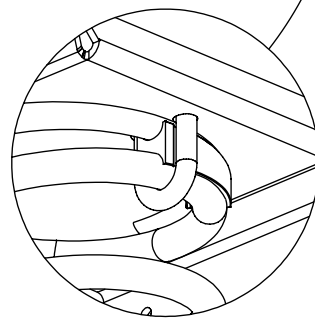
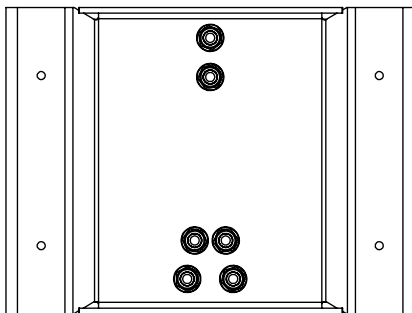
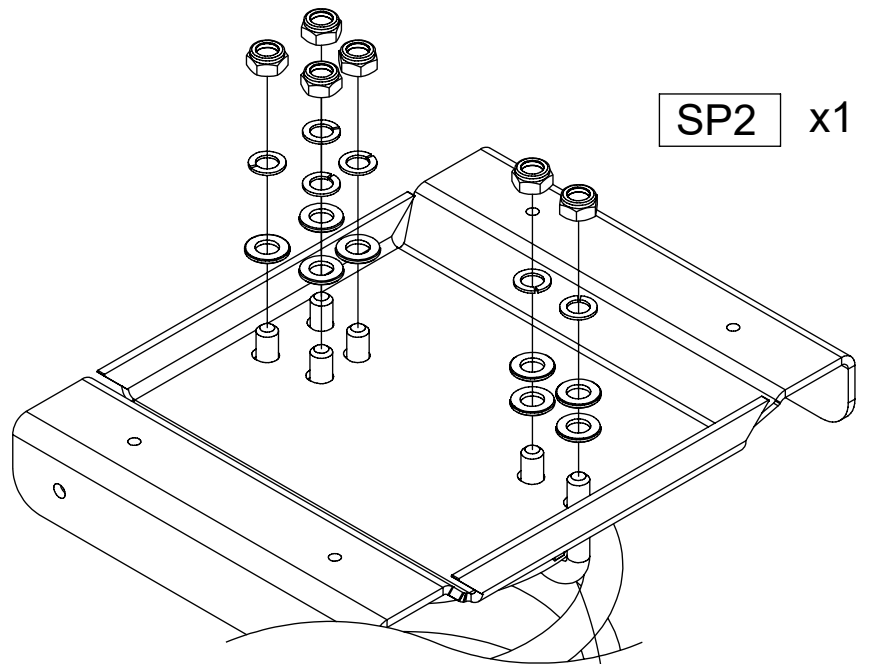
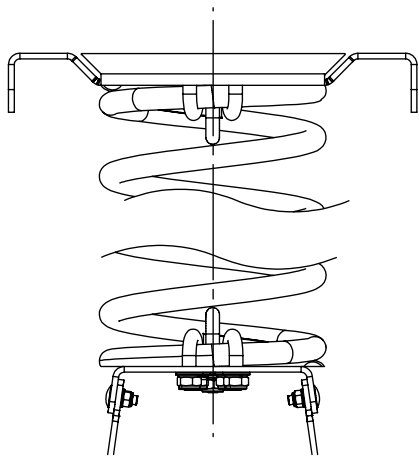
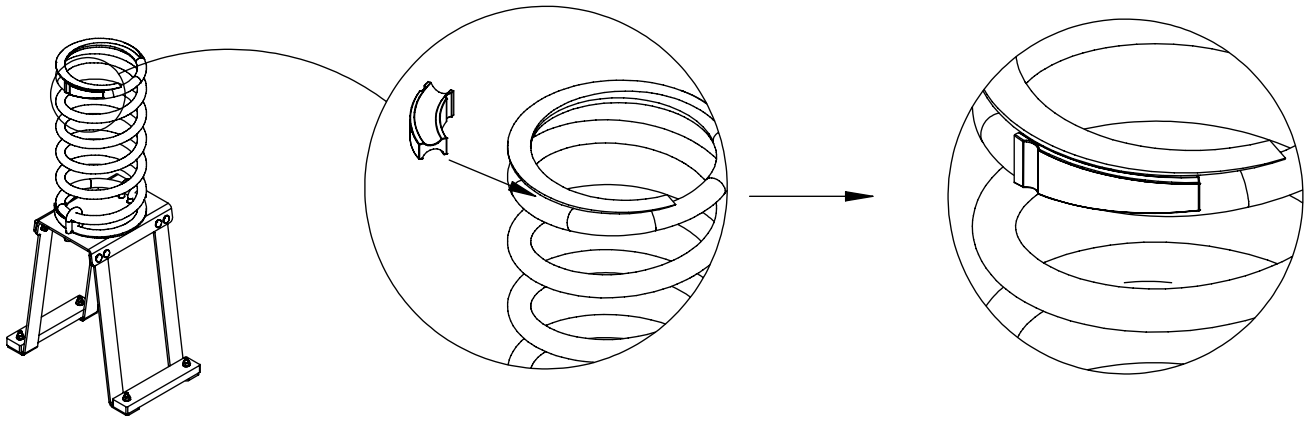
SP2 x1



[cm]



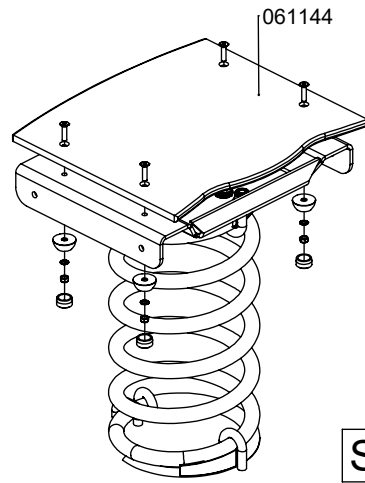
vinci
play



[cm]



vinci
play



SP10 x1

C11
SP96 x1

C11Q
SP96Q x1

C12
SP70 x1

SP12 x1

SP24 x1

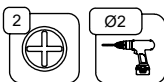
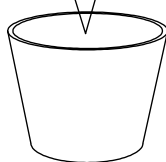
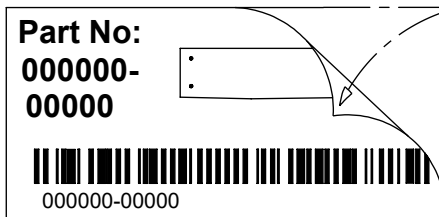
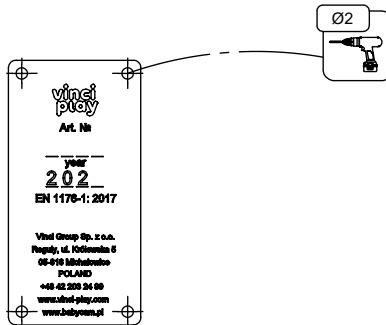
SP11 x1



[cm]

vinci
play

V001



[cm]

vinci
play