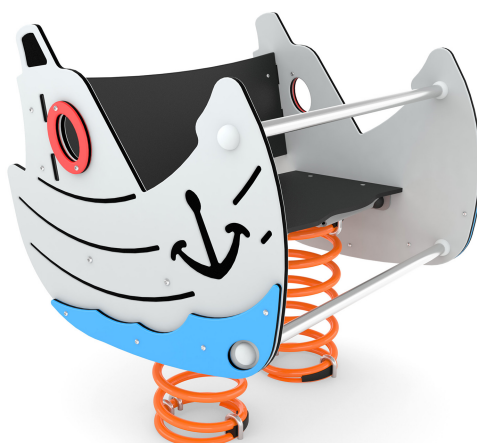


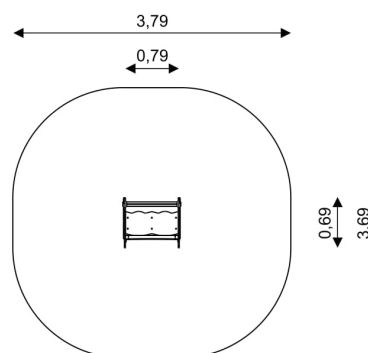
SPRING 0622

BOAT SPRING RIDER



| | |
|------------------------------------|----------------------|
| Safety zone | 12,05 m ² |
| Length | 0,79 m |
| Width | 0,69 m |
| Total height | 0,84 m |
| Free fall height | < 0,60 m |
| Age range | 1-12 years |
| In accordance w/ EN standards | 1176-1:2017 |
| Weight of the heaviest part [kg] | 48 |
| Dimension of the biggest part [cm] | 77x70x127 |
| Availability of spare parts | Yes |

Minimal space



Material Specification

- Steel spring 20 mm, iron phosphorated and powder coated;
- The seat and other elements are made of atmospheric condition resistant HDPE plates;
- All screws covered with colorful plastic caps;
- No sharp edges or chinks that would pose a danger of jamming the head, fingers or any other body parts;
- Other galvanized and/or powder coated metal elements;

Additional comments

- The equipment is certified by an accrediting organization or by certificate of conformity;
- Depth of foundations on a flat surface: 40 cm;
- The equipment is designed for public playgrounds;The equipment render is of an illustrative nature and shows only the general specification of the equipment, but not its actual appearance. The colours may differ from those demonstrated on render.

Surfaces

Due to the free fall height of the equipment, the EN 1176-1:2017 standard allows the following surfaces: turf, soil (A,B), sand with minimal layer thickness of 30 cm (A), synthetic material approved for free fall of 0,60 m (A,B)

