

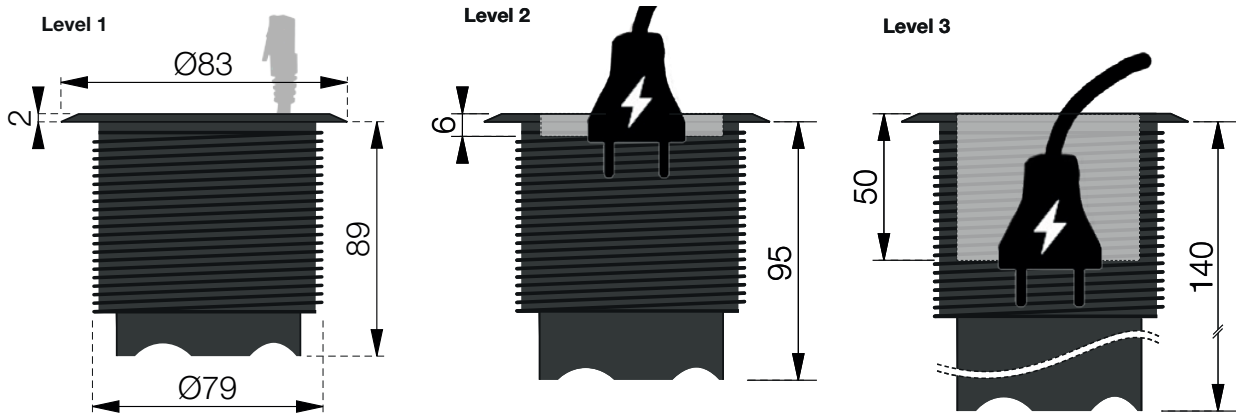


□ 935-PD14W

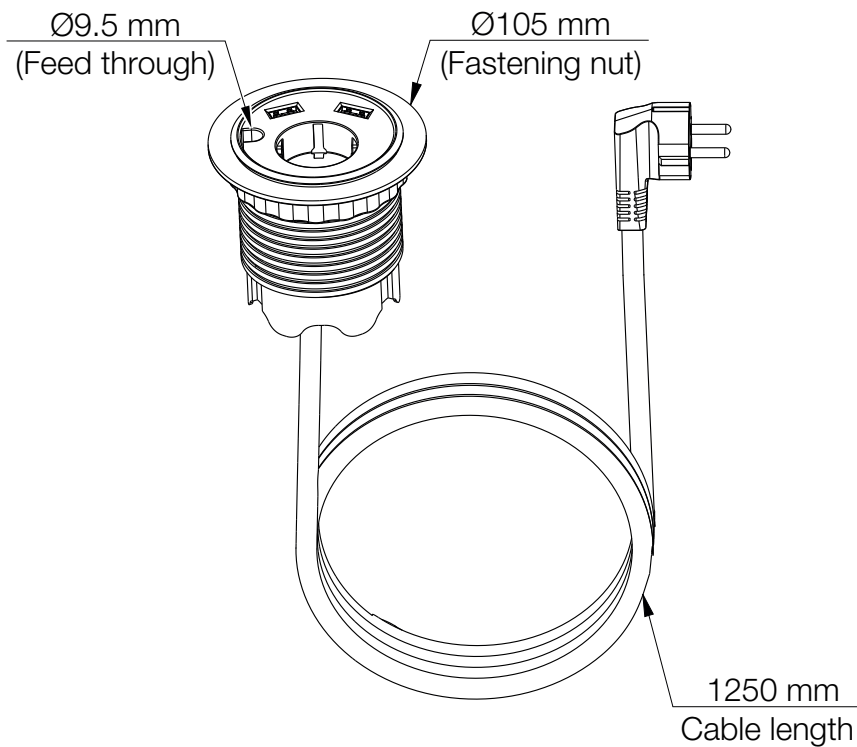
■ 935-PD14

# Powerdot - 1 Power, 2x USB-chargers (5V 2A), 1 Feed through (Ø9.5 mm)

## Front view (Grommet)



## Oriented view (Grommet, nut & cable)



Maximum table thickness:  
Recommended hole cut:

55 mm  
Ø79 mm

Revised  
191106