

5 59 130 021

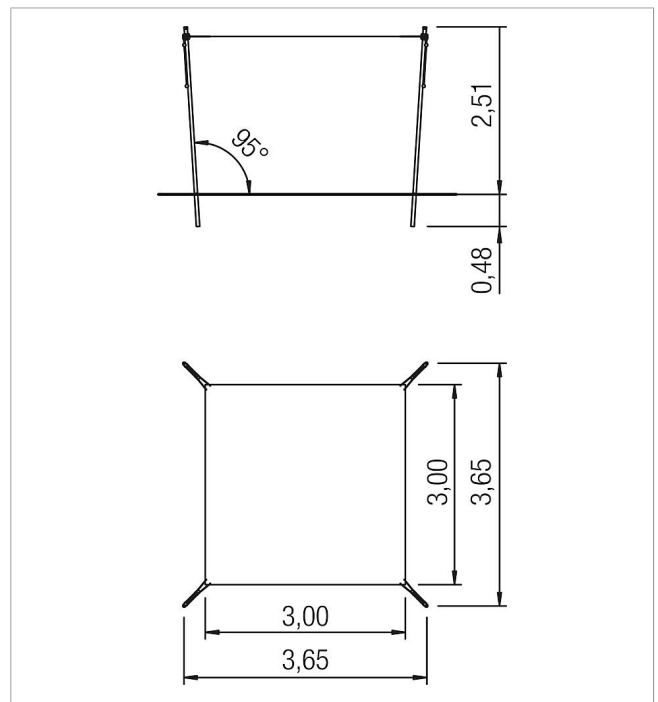
Awning height-
adjustable 3x3 m

made in germany



Scope of delivery

- 4x post: galvanised steel
- 4x cover: plastic
- 4x ground sleeve: galvanised steel
- 4x comfort handle: powder-coated steel
- 1x awning: HDPE knitted fabric UPF 10-20



Material

PE dark green