

5 11 033 0110 0

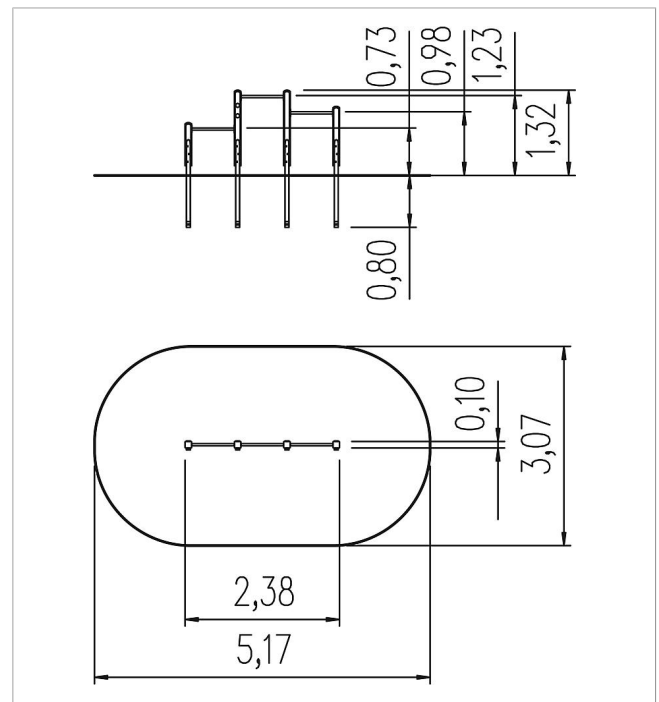
playo tri-level horizontal bars Anton

made in germany



Scope of delivery

4x post construction: SW
4x post shoe: steel galvanised
3x walk-through protection leaf: stainless steel
fittings: stainless steel



	Material	SW pi
	Foundation level	FL 3
	Minimum space	517x307x303 cm
	Free falling height	123 cm
	Impact protection net	14,0 m ²
	Foundations	4x CF