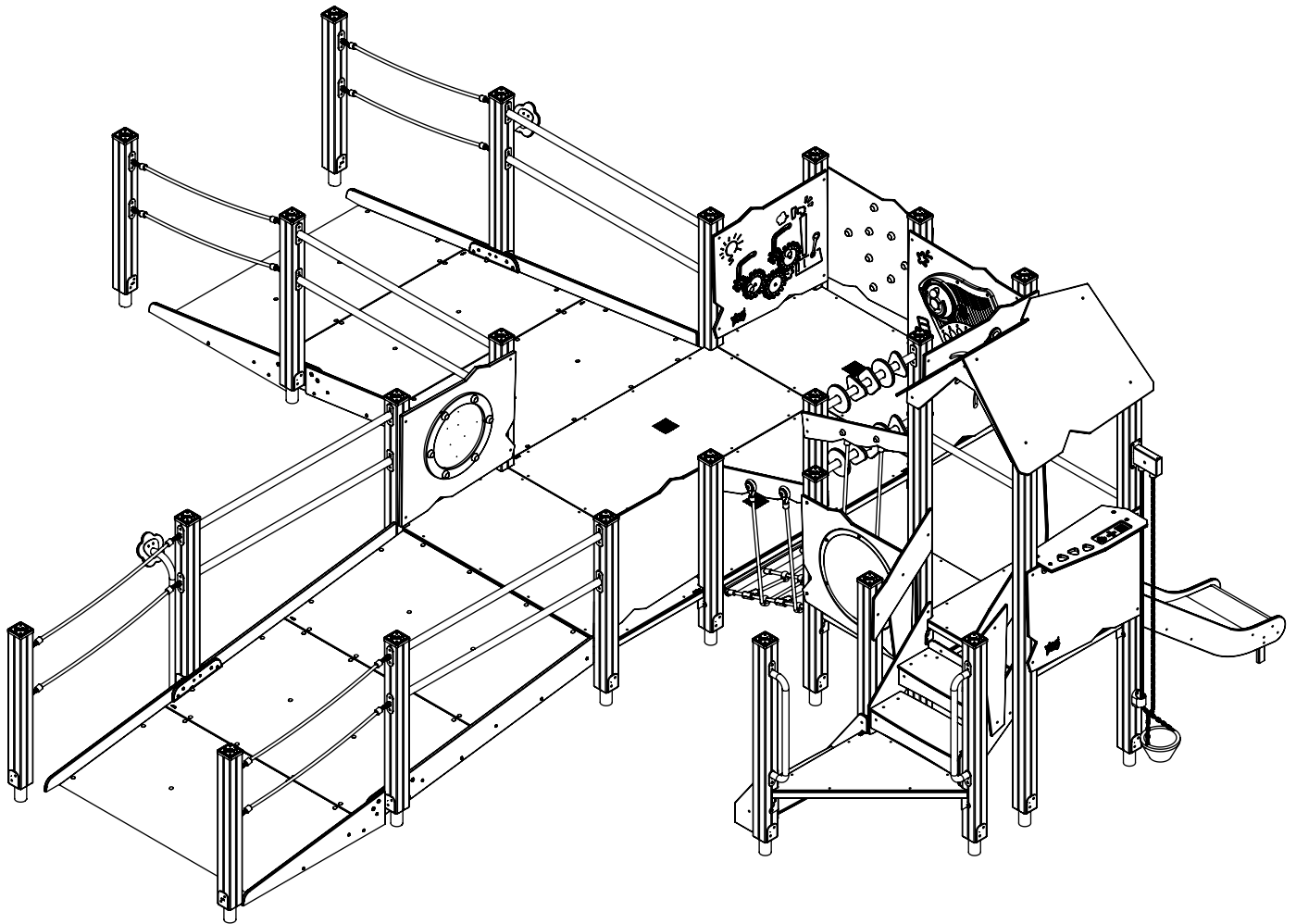
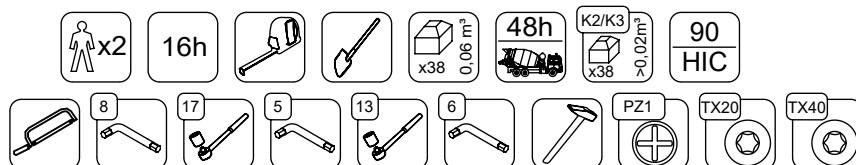


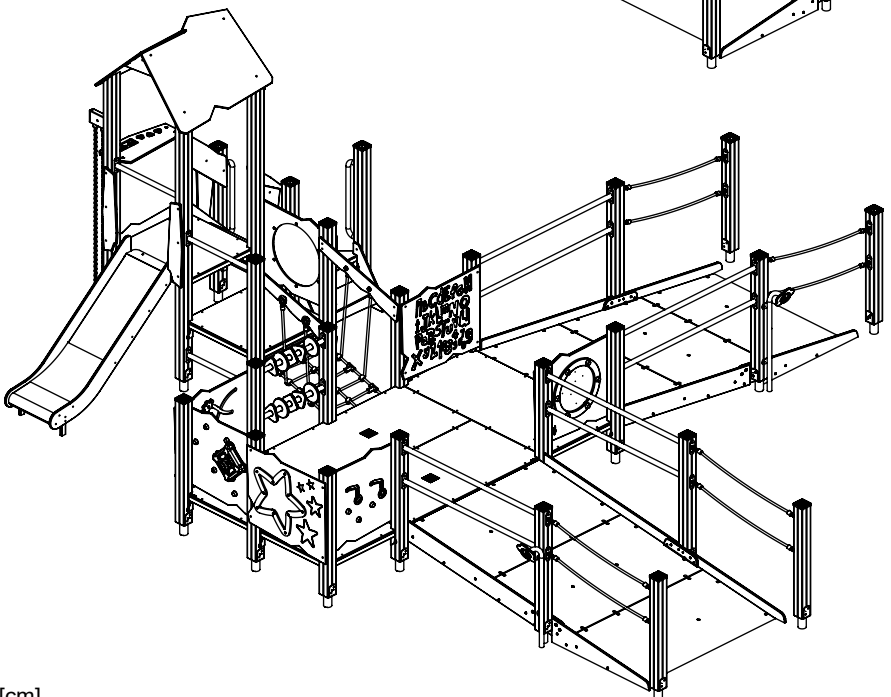
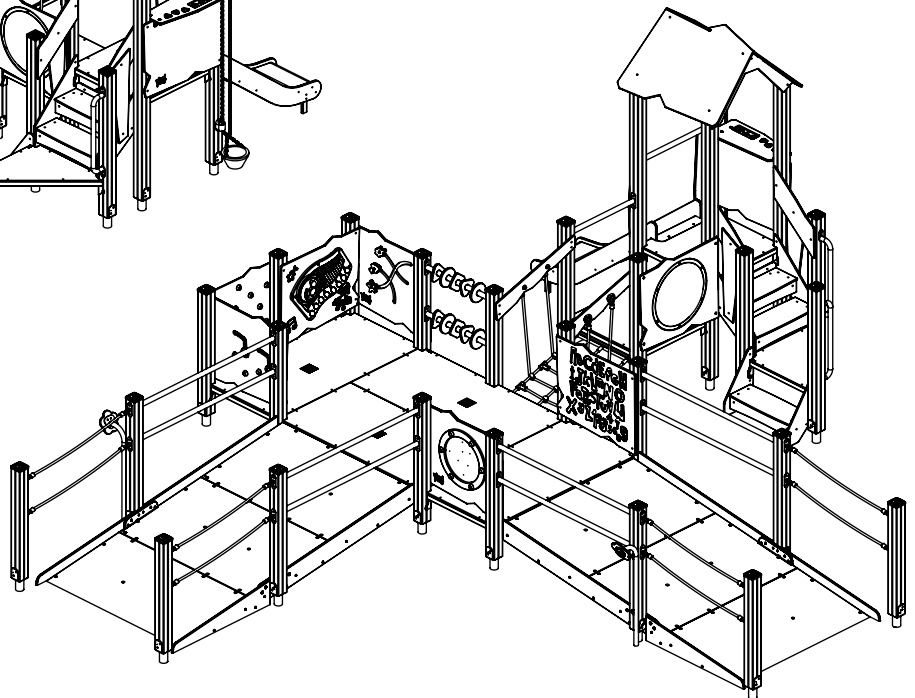
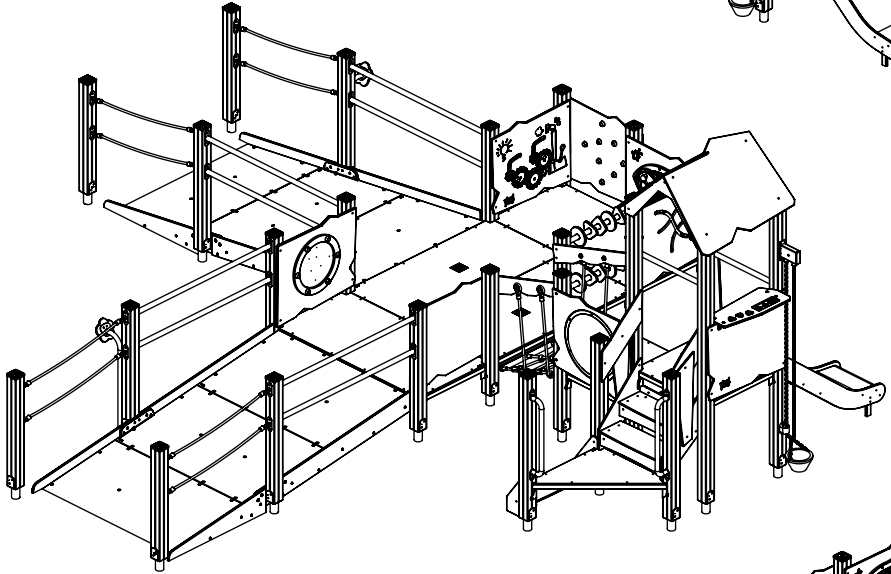
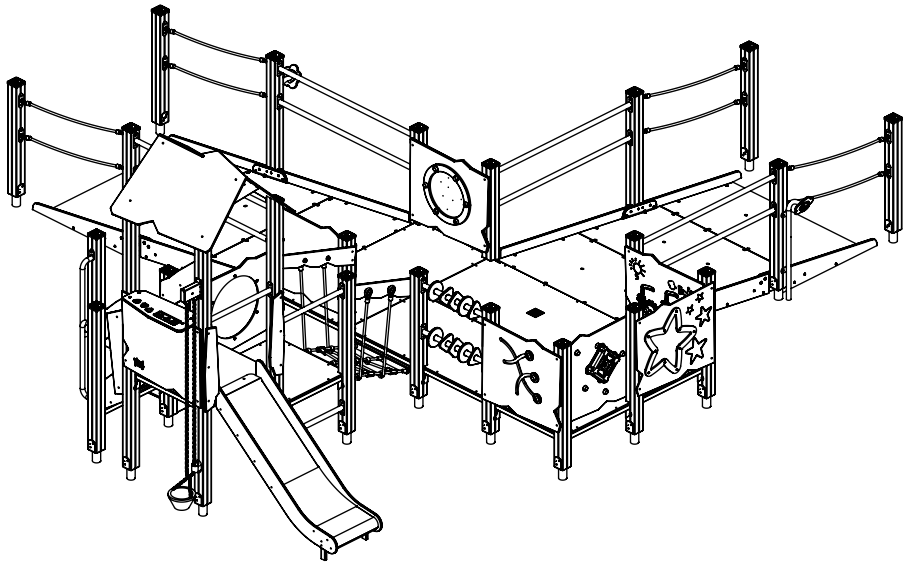
WD1505



v015
30.01.2023
B.N.
[cm]

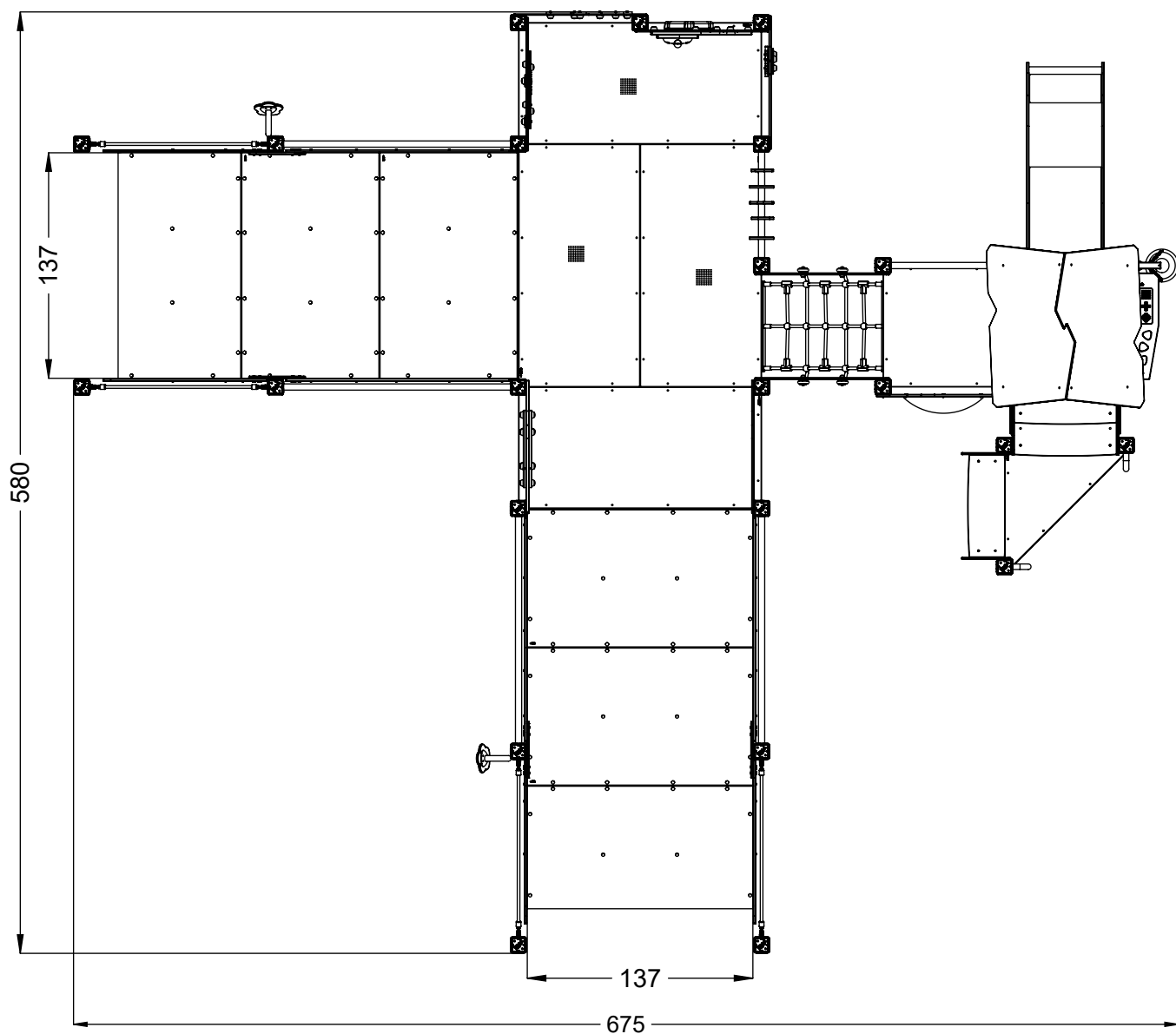
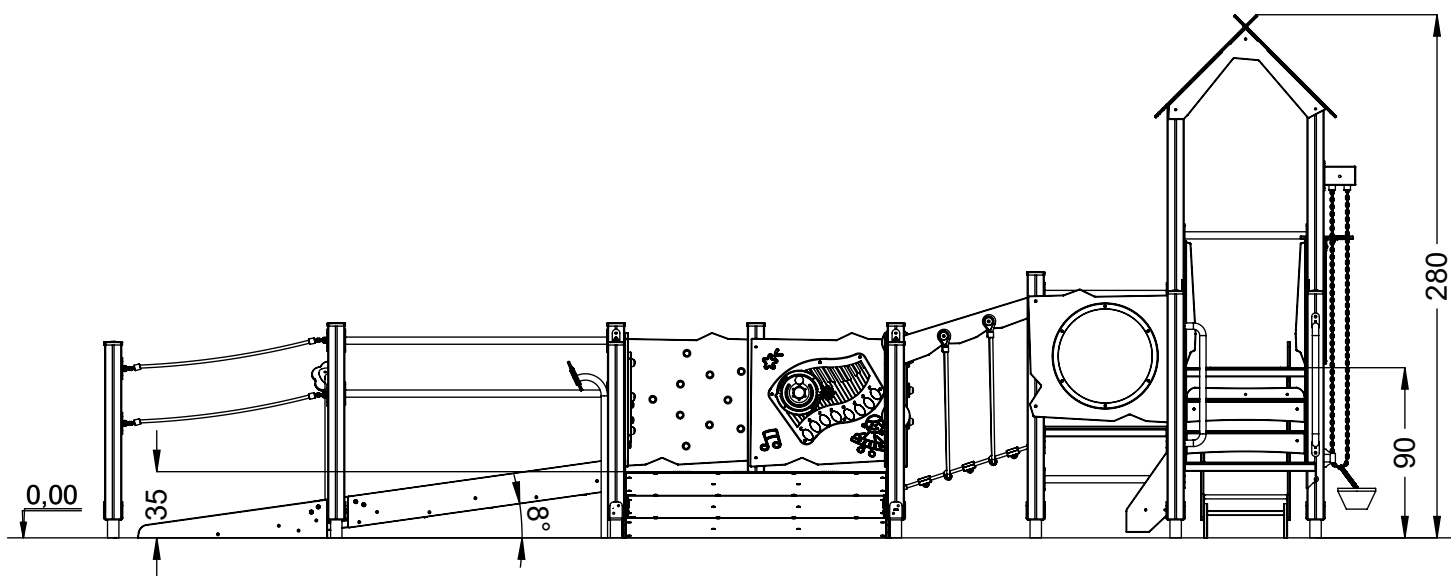


vinci
play



[cm]

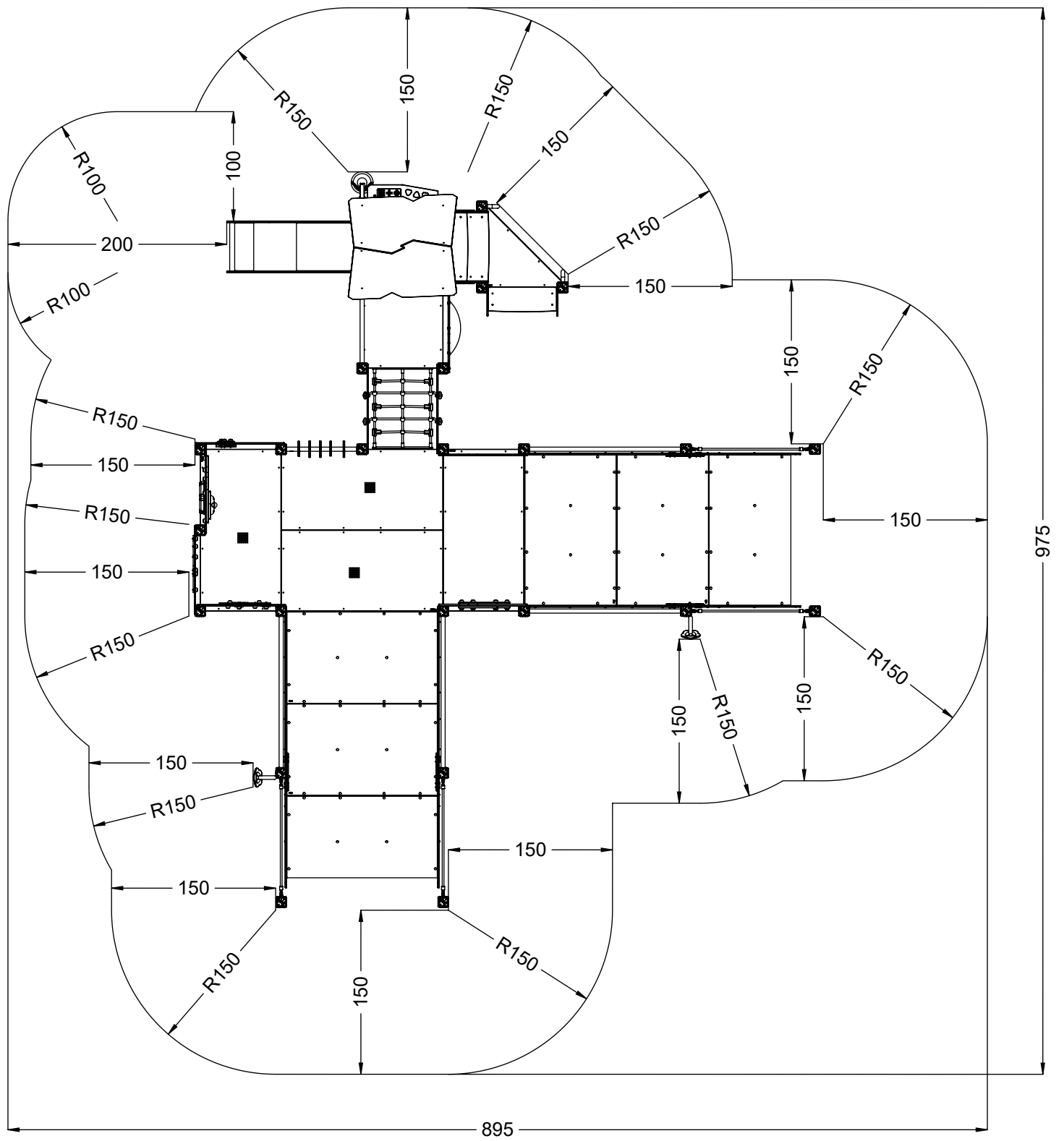
vinci
play



[cm]



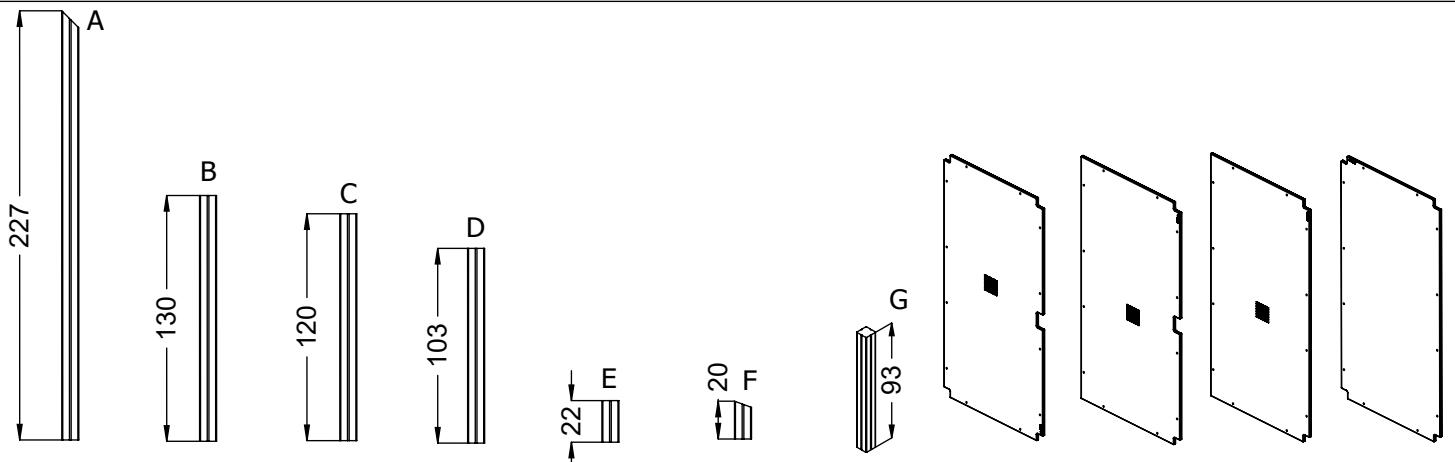
vinci
play



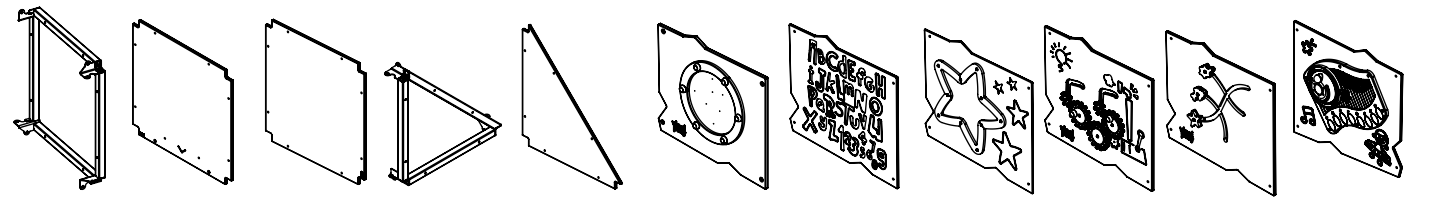
[cm]



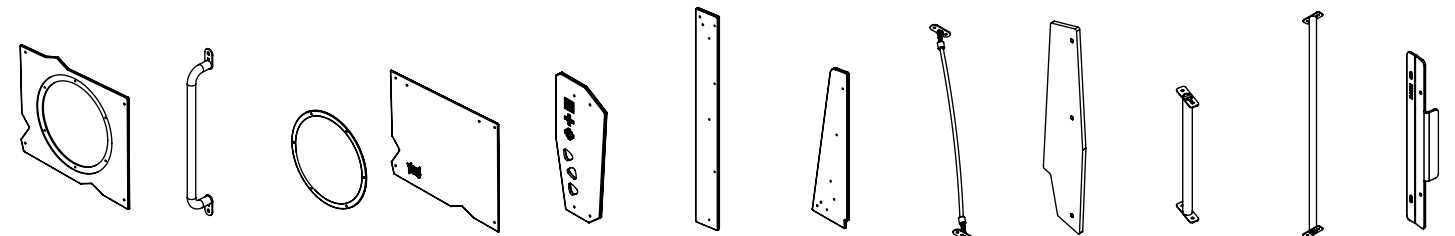
vinci
play



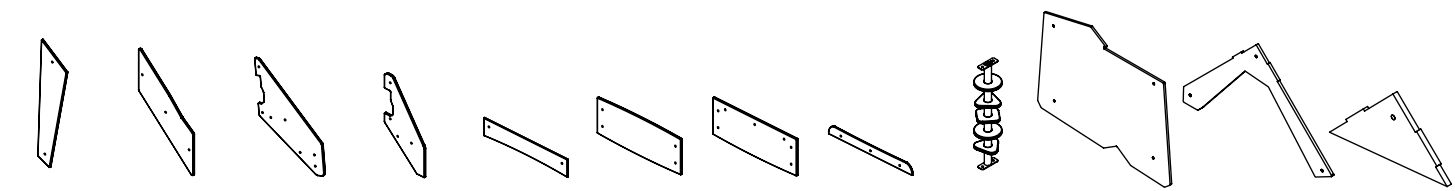
14722745 x 4 14713090 x 2 14712090 x 3 14710390 x 14 14702290 x 3 14702020 x 2 14709390 x 4 141327 x 1 141346 x 1 141343 x 1 141347 x 1



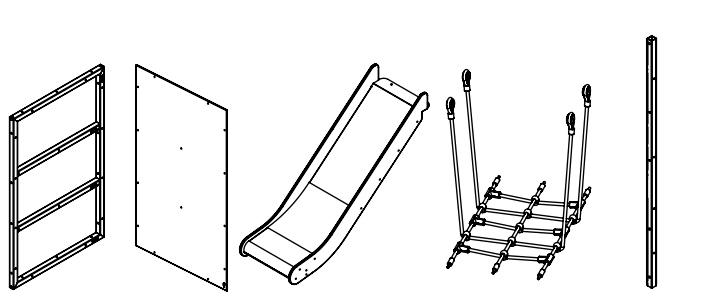
142109 x 10 141101 x 1 141100 x 1 142110 x 1 141104 x 1 144227 x 1 141250 x 1 144168 x 1 144185 x 1 144113 x 1 144224 x 1



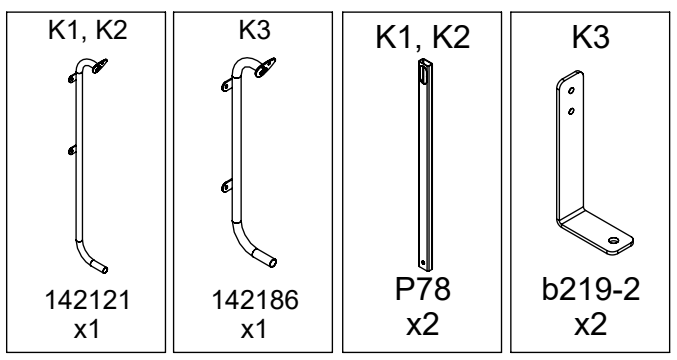
141128 x 1 172107 x 2 996184 x 1 141152 x 1 141253 x 1 171159 x 4 171223 x 4 995141 x 8 141133 x 2 142117 x 3 142141 x 8 b334 x 4



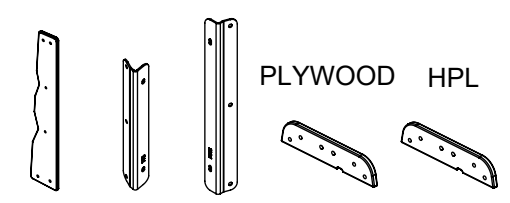
141341 x 2 171144 x 2 141326 x 2 141325 x 2 171132 x 3 171131 x 2 171134 x 1 141345 x 1 144126 x 2 141120 x 2 141123 x 1 141122 x 1



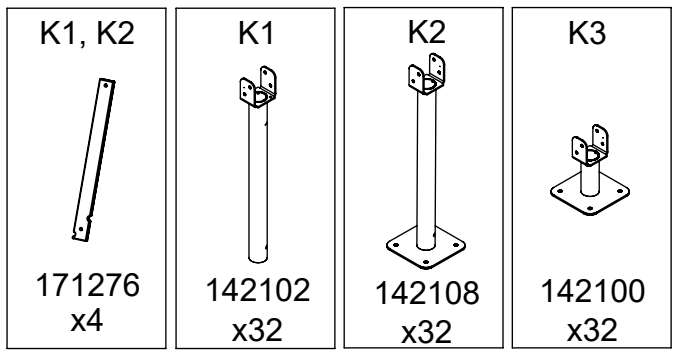
172113 x 6 171153 x 6 994103 x 1 145248 x 1 173108 x 4



K1, K2: 142121 x 1
 K3: 142186 x 1
 K1, K2: P78 x 2
 K3: b219-2 x 2



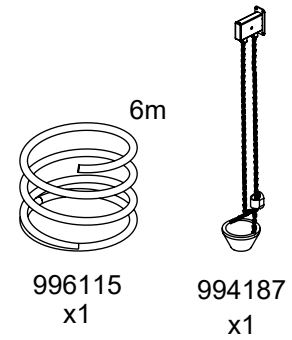
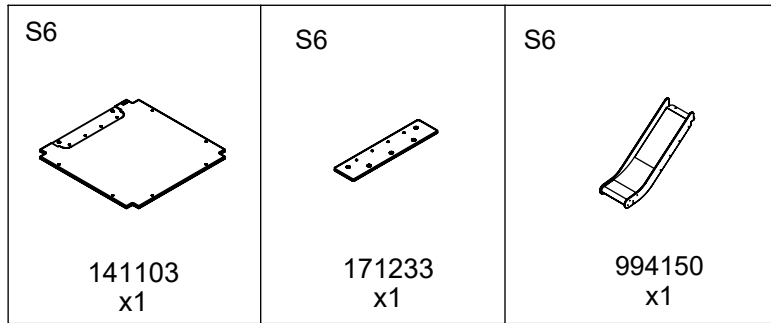
141321 x 2 b341 x 1 b342 x 1 141359 x 4 171227 x 4



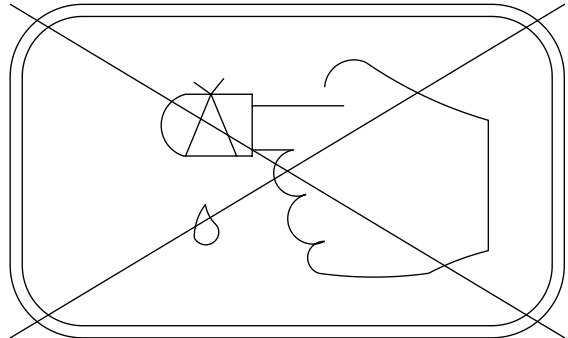
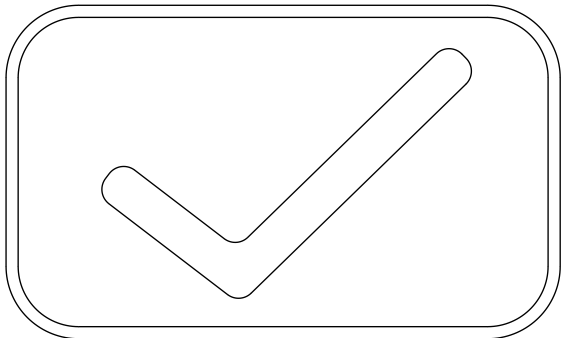
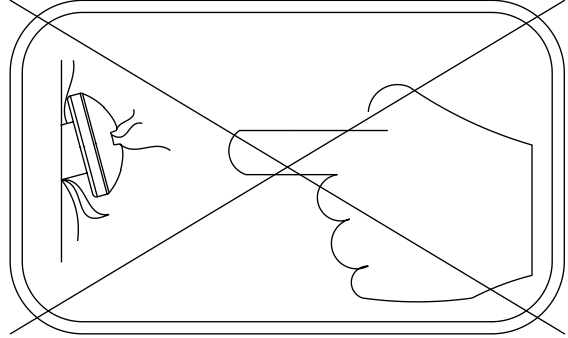
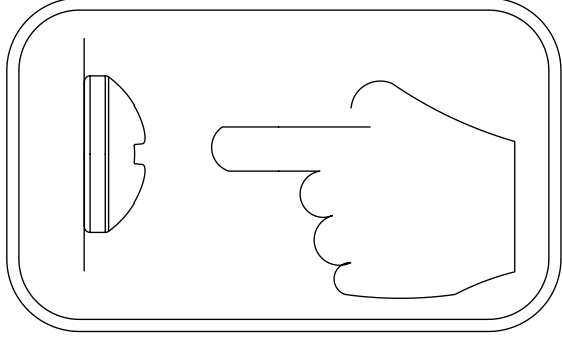
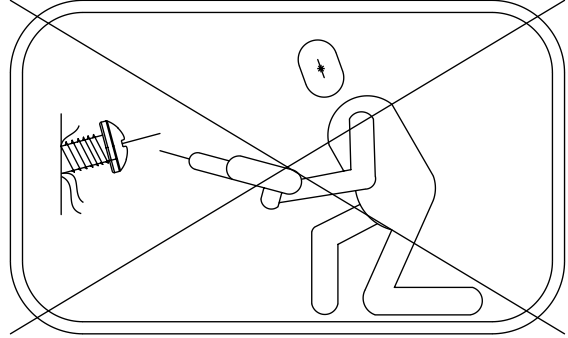
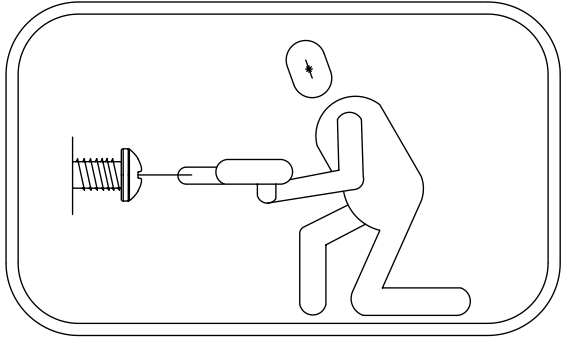
K1, K2: 171276 x 4
 K1: 142102 x 32
 K2: 142108 x 32
 K3: 142100 x 32

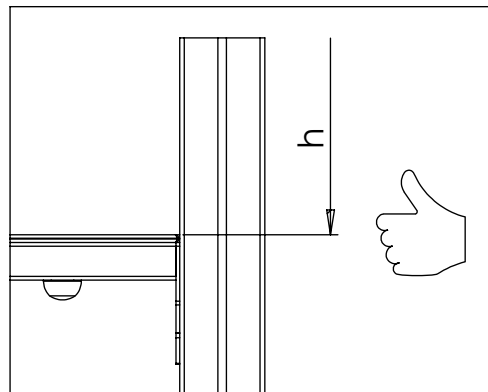
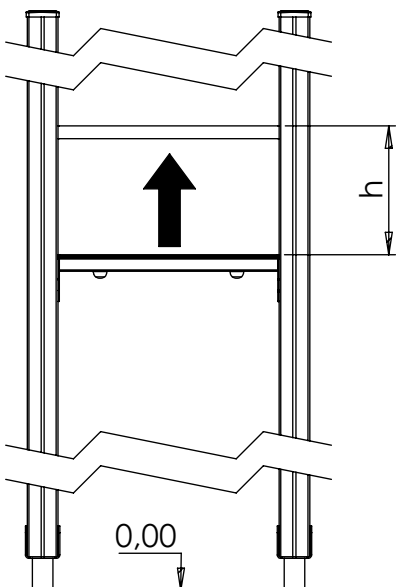
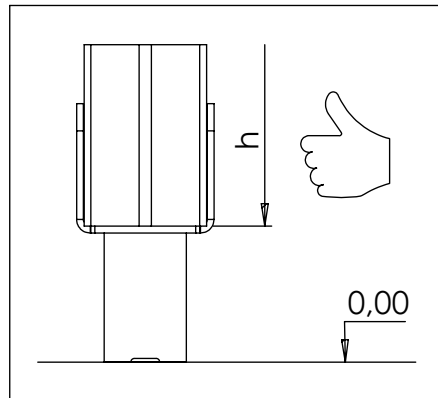
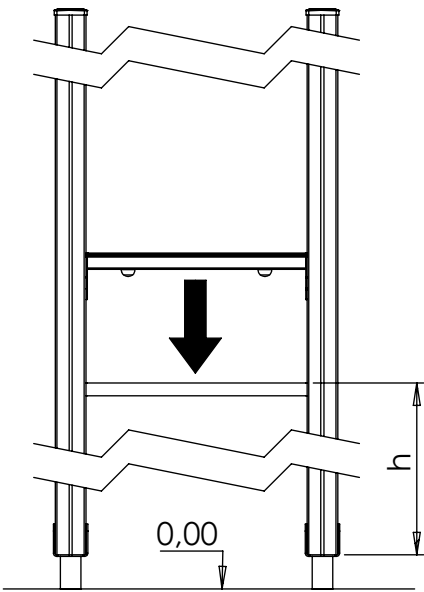
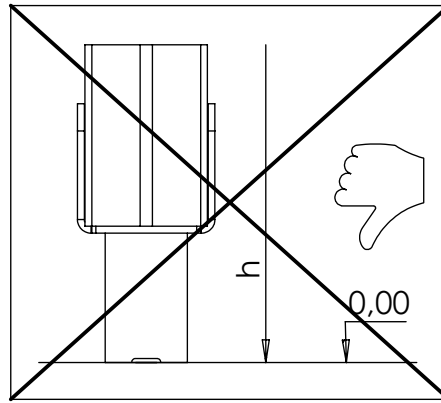
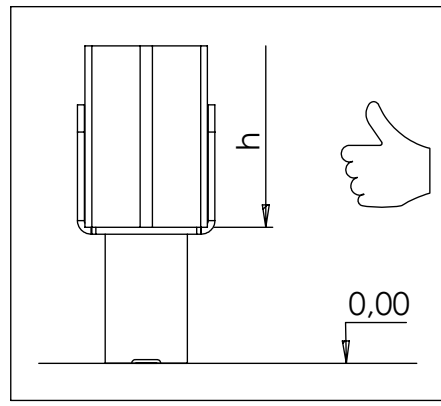
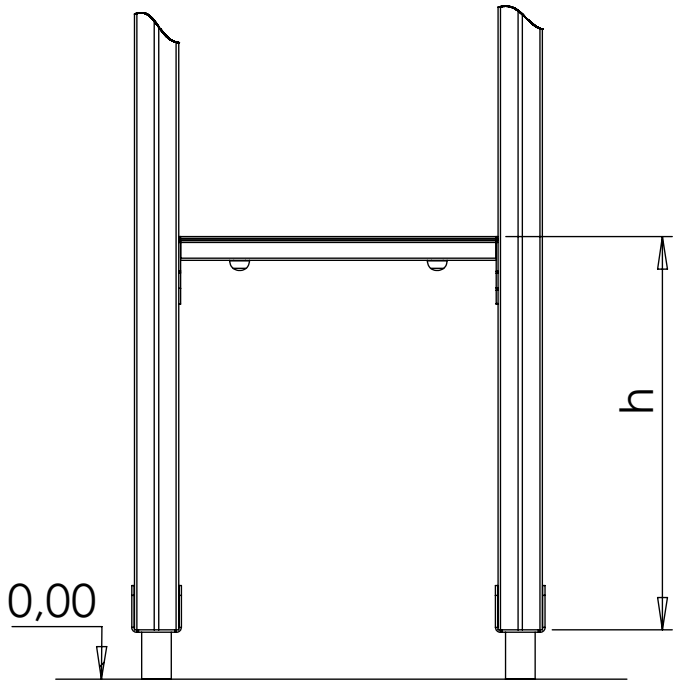


[cm]



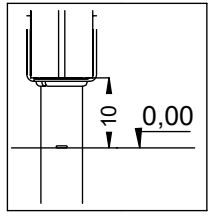
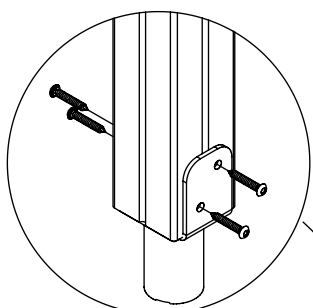
		PLYWOOD / HDPE		HPL	
378x	8x50 sxi	2x	WD76	2x	WD77
2x	6x50 sxs	5x	WD74	5x	WD75
10	5x40 sxs	1x	WD28 (s1)	1x	WD29(s1)
1x	E34(k1,k3)	1x	WD113(s6)	1x	WD114(s6)
1x	E35(k2)	1x	WD132	1x	WD133
23x	WD1	3x	WD97	3x	WD97
1x	WD91	2x	WD105	2x	WD105
2x	WD100	1x	WD103	1x	WD103
1x	WD66	2x	WD63	2x	WD64
2x	WD59	1x	WD33	1x	WD34
2x	Z18	1x	CE9	1x	CL9
1x	V001	5x	WD70	5x	WD71
8x	8x80 sxt	2x	WD142	2x	WD141
5x	WD161	2x	WD146	2x	WD145
2x	WD163	2x	WD144	2x	WD143
2x	WD164 (k2)	1x	WD17	1x	WD18
2x	WD171 (k2)	1x	WD19	1x	WD20
2x	E184 (k3)	1x	CE8	1x	CL8
8x	WD50	4x	WD166	4x	WD165
		1x	WD156	1x	WD155
		2x	WD182	2x	WD181
				1x	P061 s6



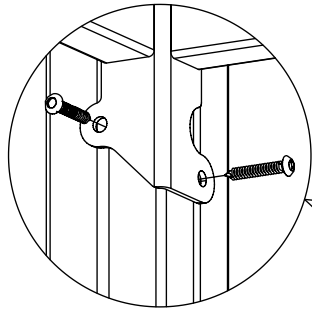
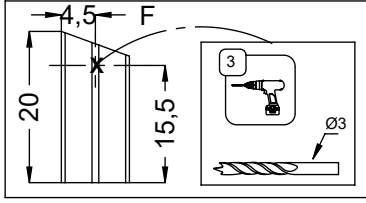
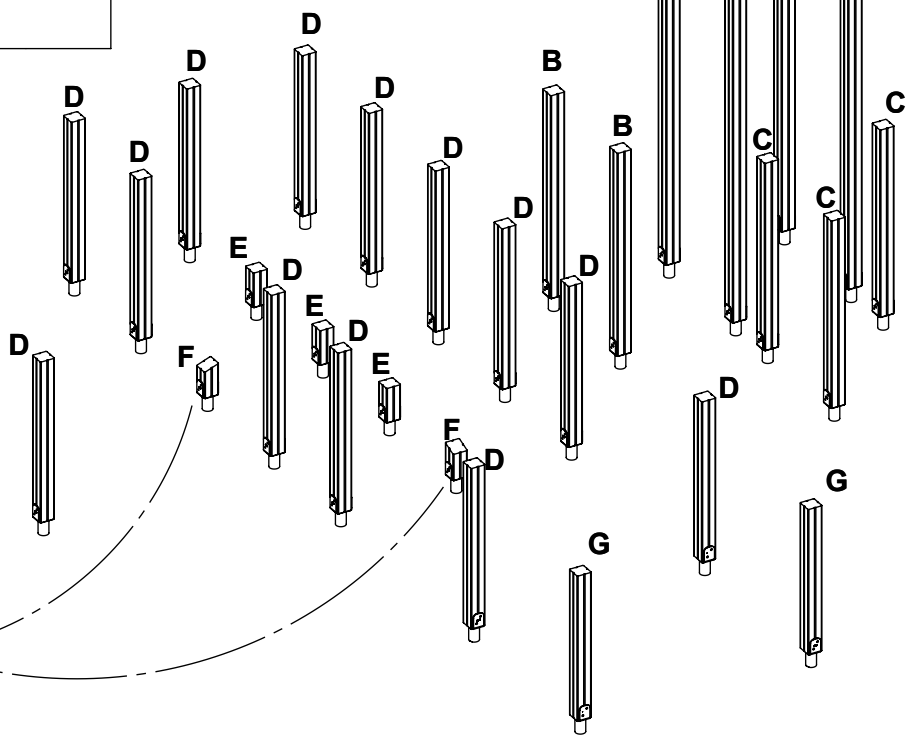
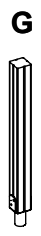


[cm]

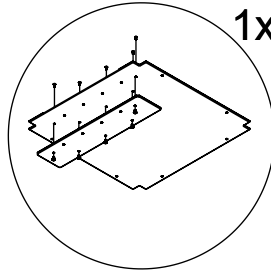
vinci
play



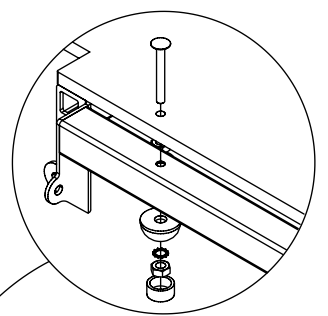
128x 8x50 sxi



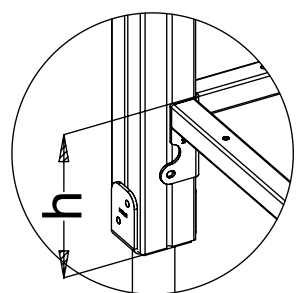
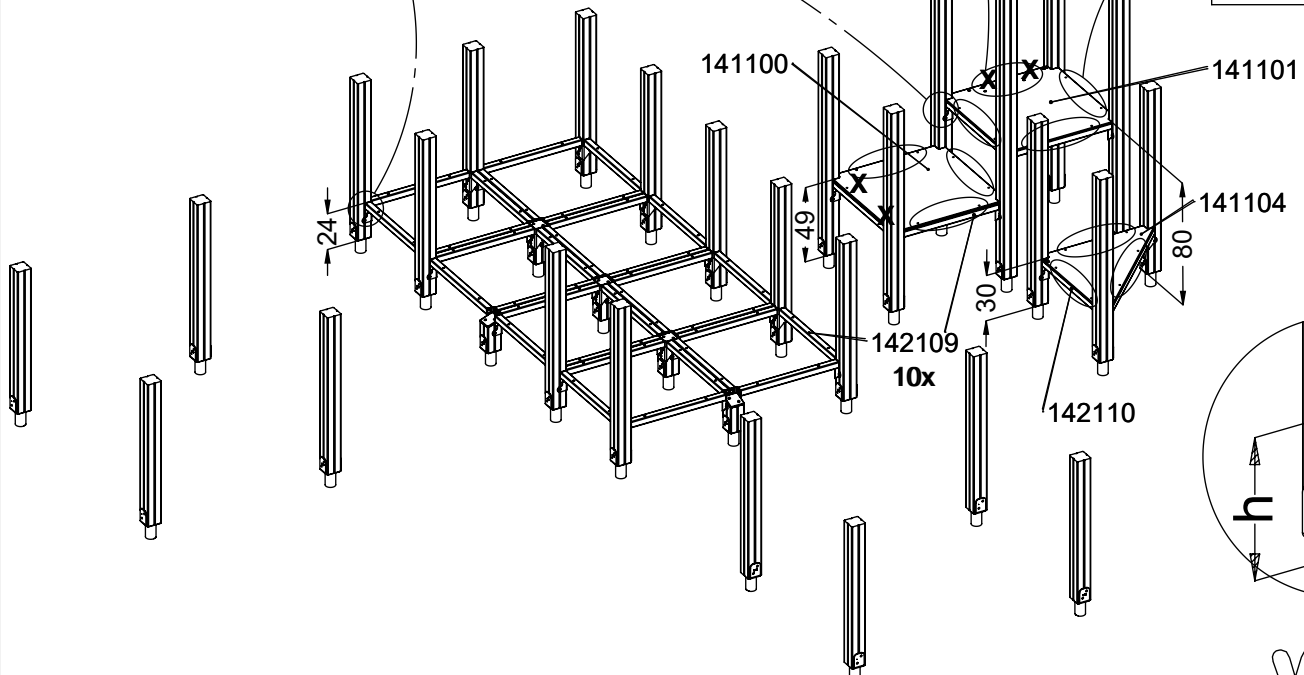
86x 8x50 sxi



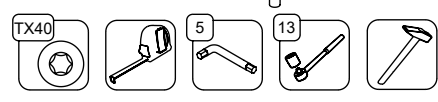
1x P061 S6



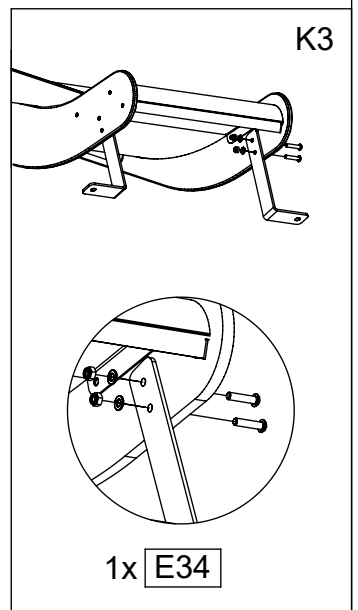
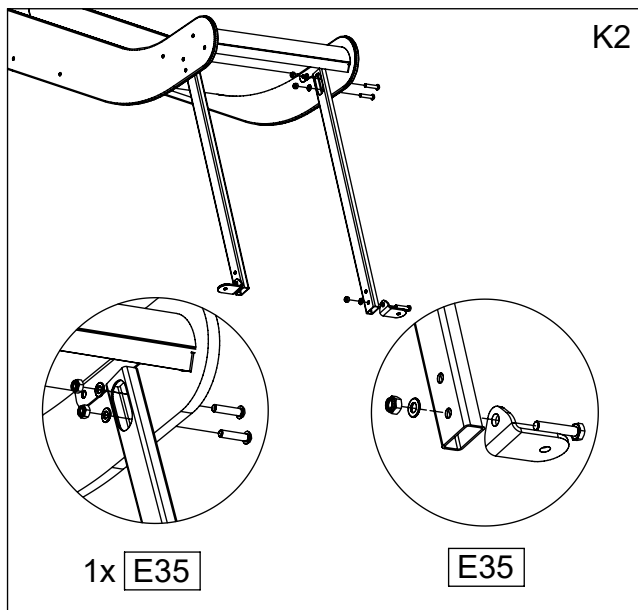
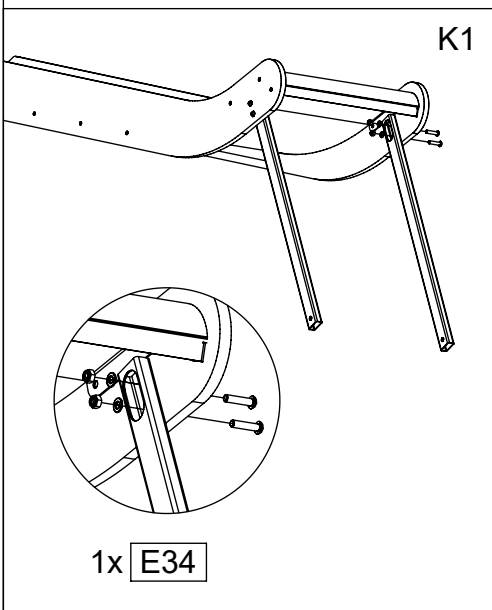
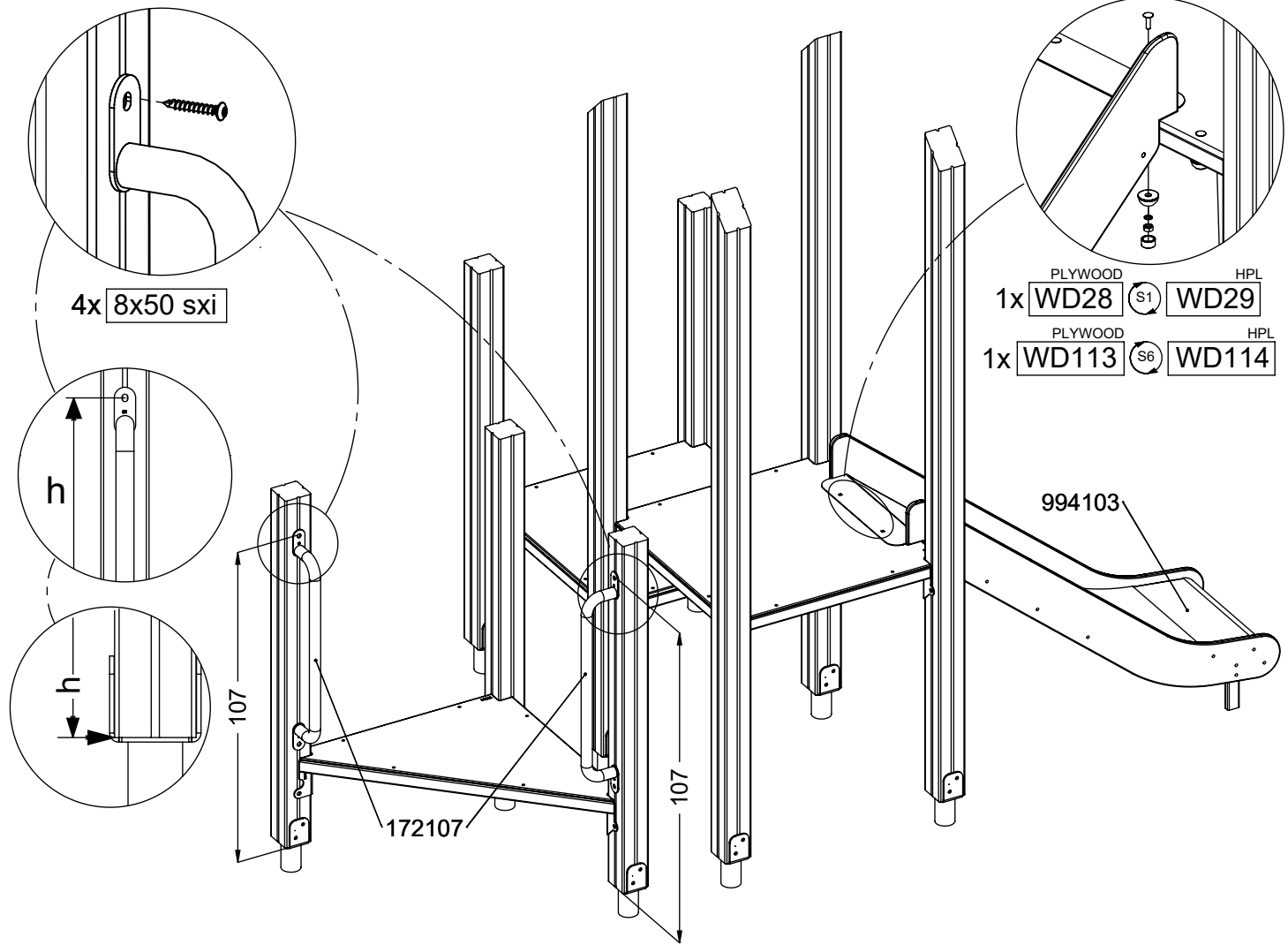
3x PLYWOOD HPL
WD74 WD75



[cm]



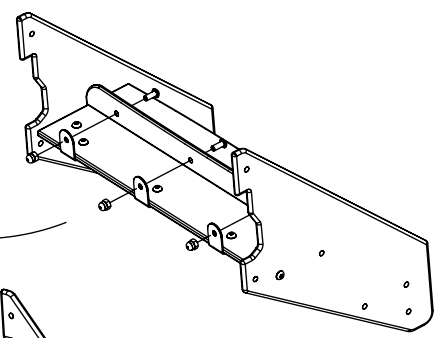
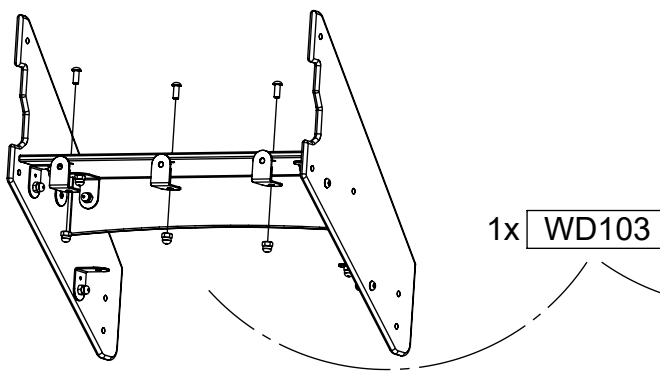
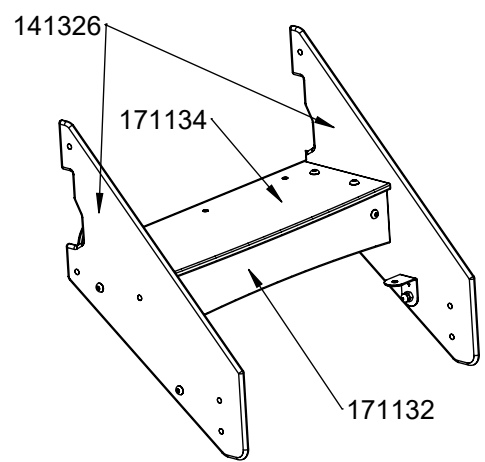
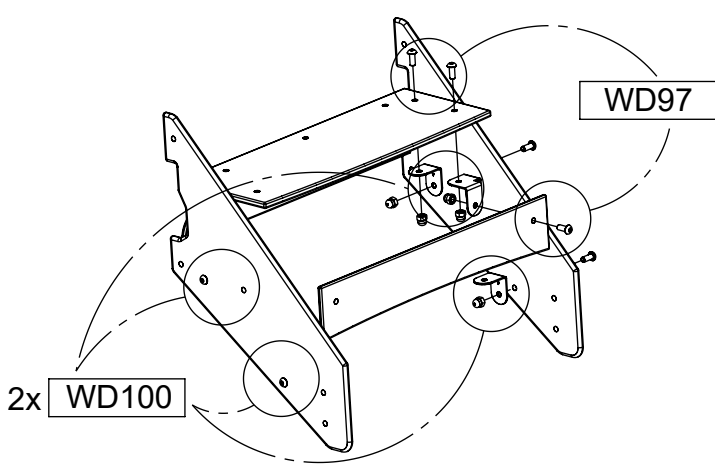
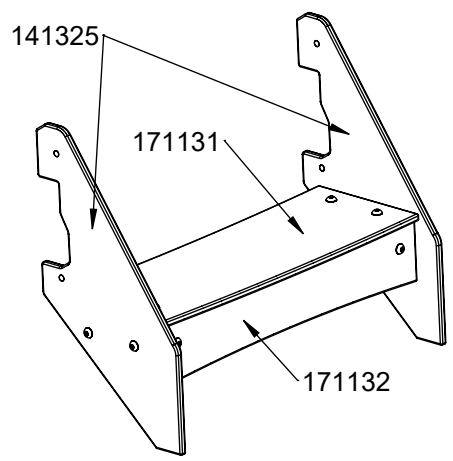
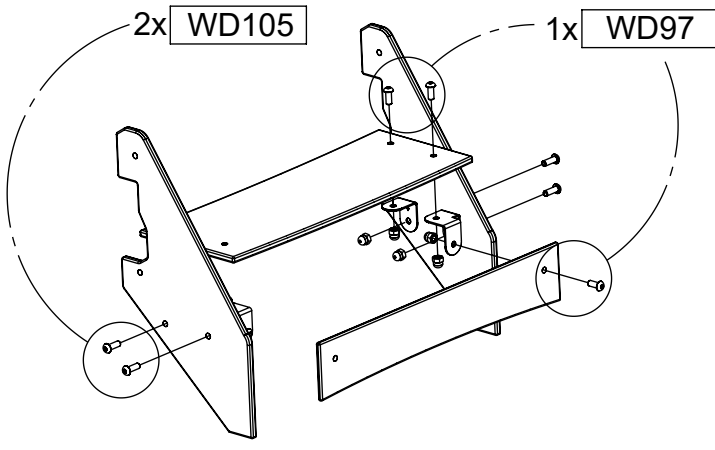
vinci play



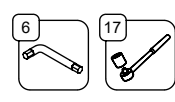
[cm]



vinci
play

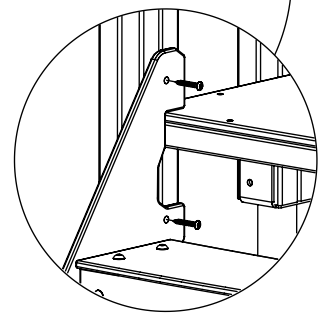
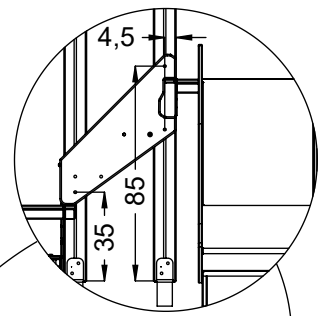
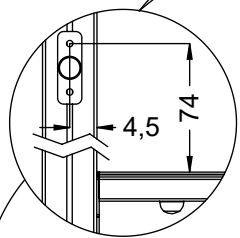


[cm]

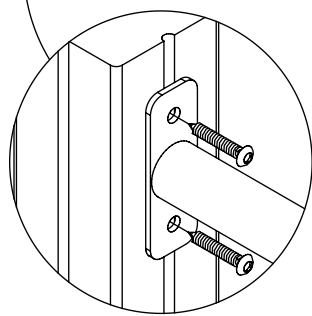


vinci
play

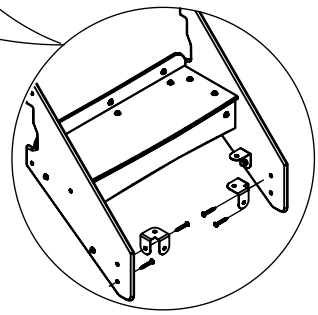
142117



4x 8x50 sxi

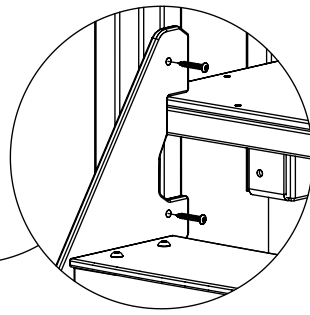
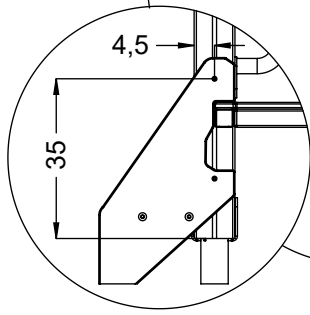


4x 8x50 sxi

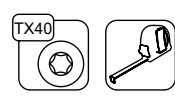
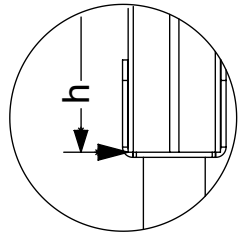


4x 8x50 sxi

1x WD91

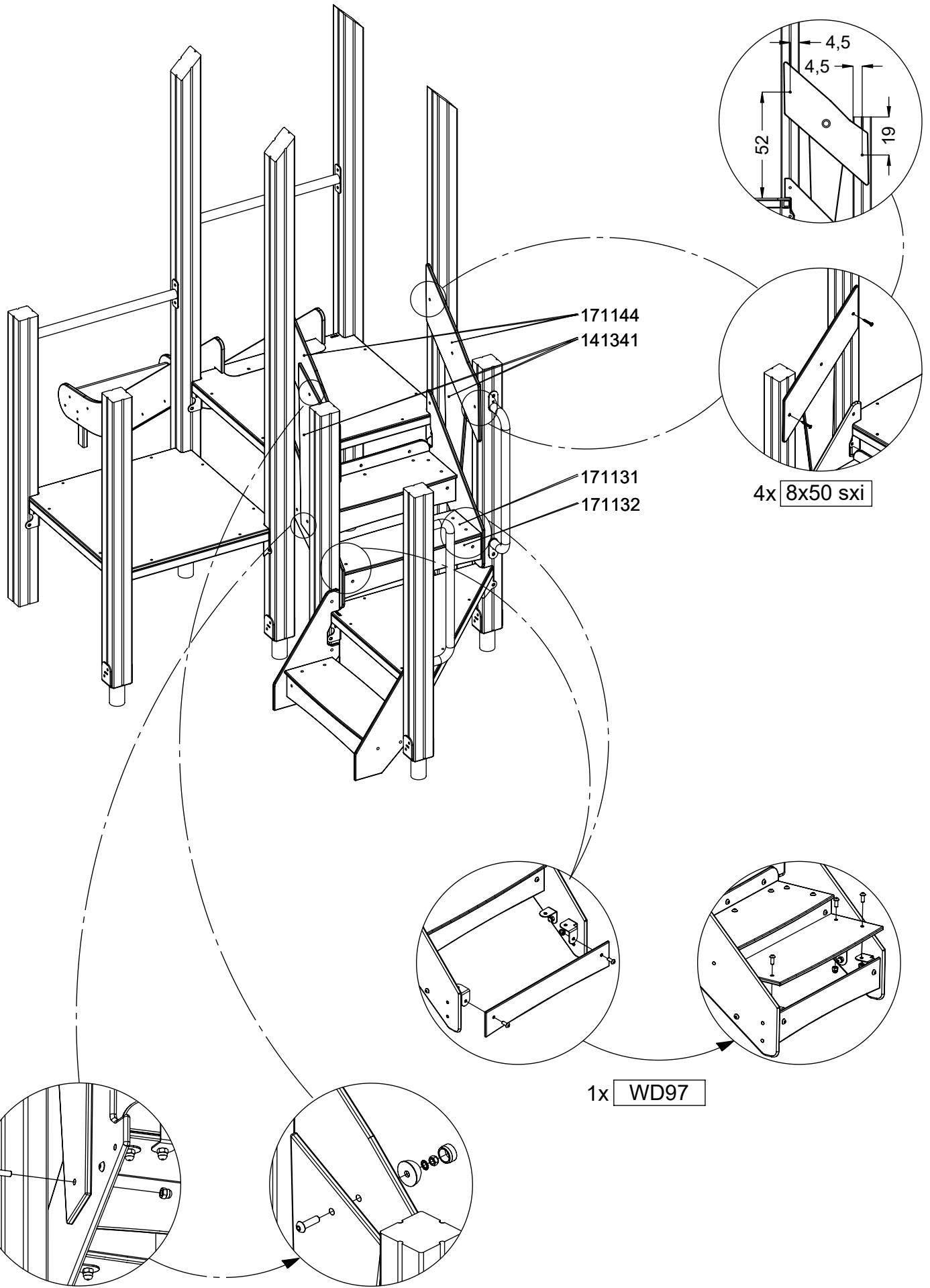


4x 8x50 sxi

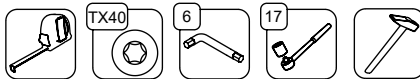


[cm]

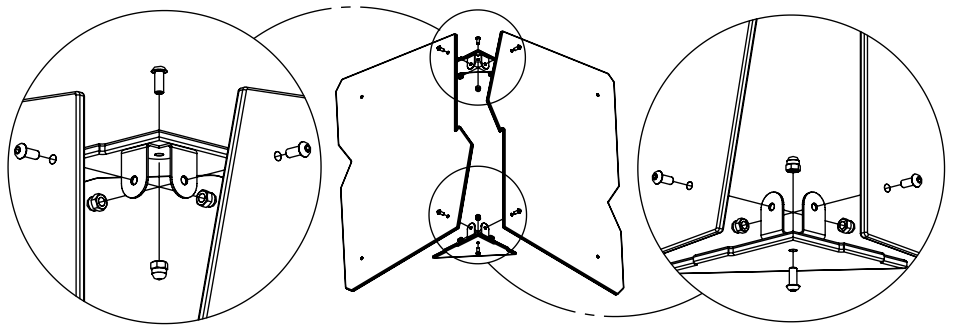
vinci play



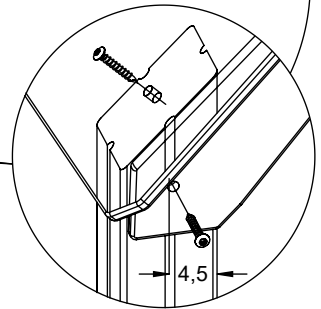
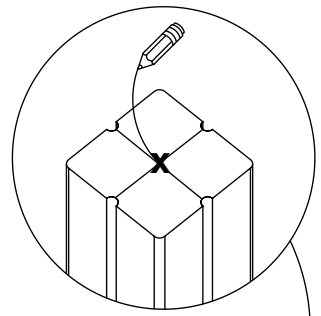
[cm]



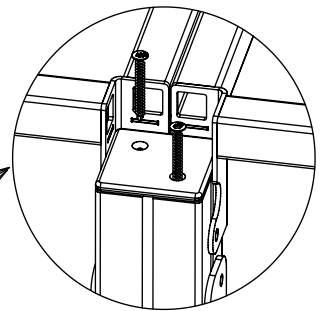
vinci
play



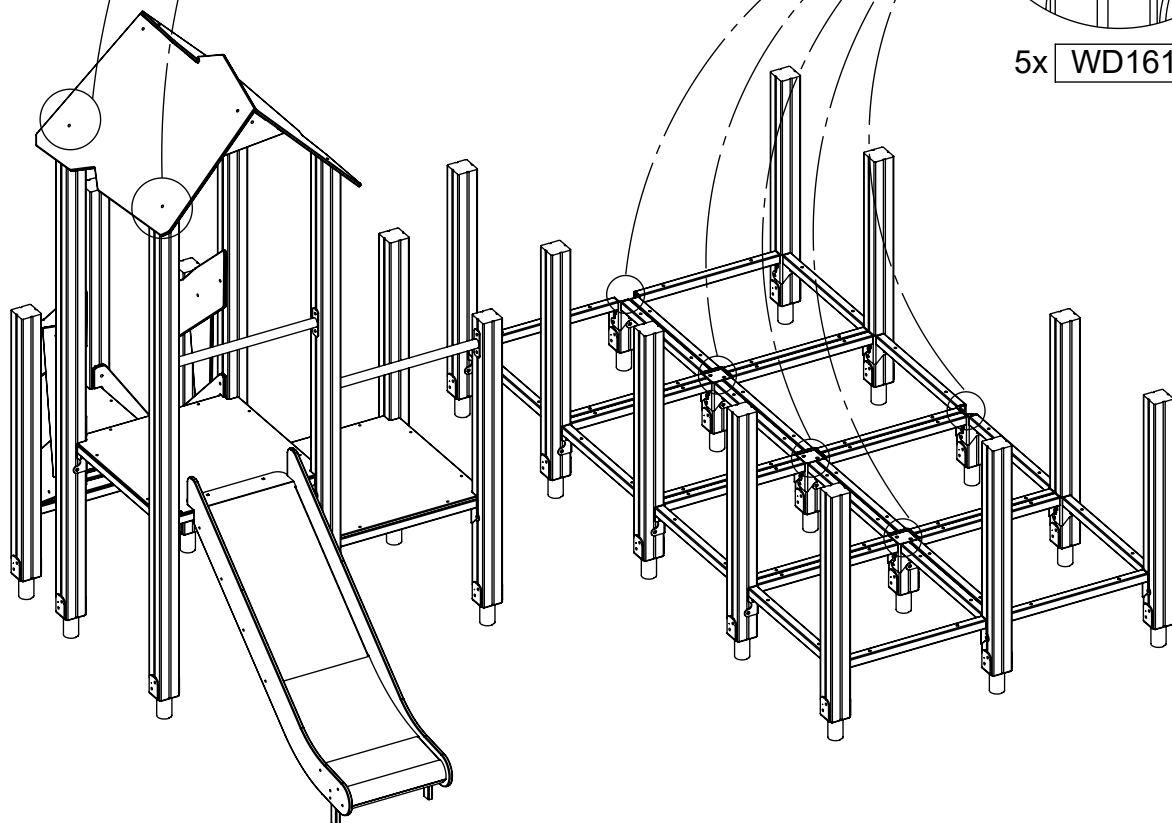
PLYWOOD
1x **WD33**  HPL
WD34



8x **8x50 sxi**



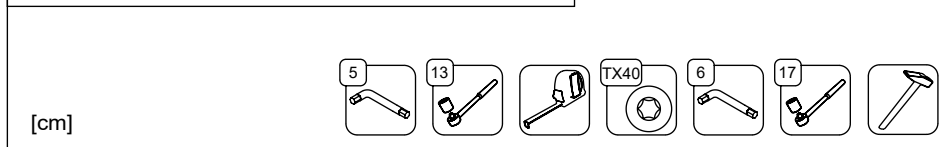
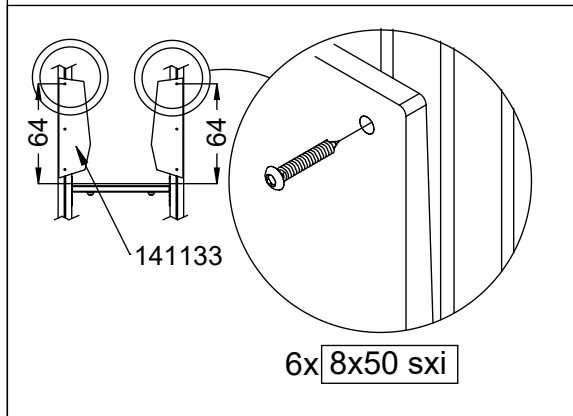
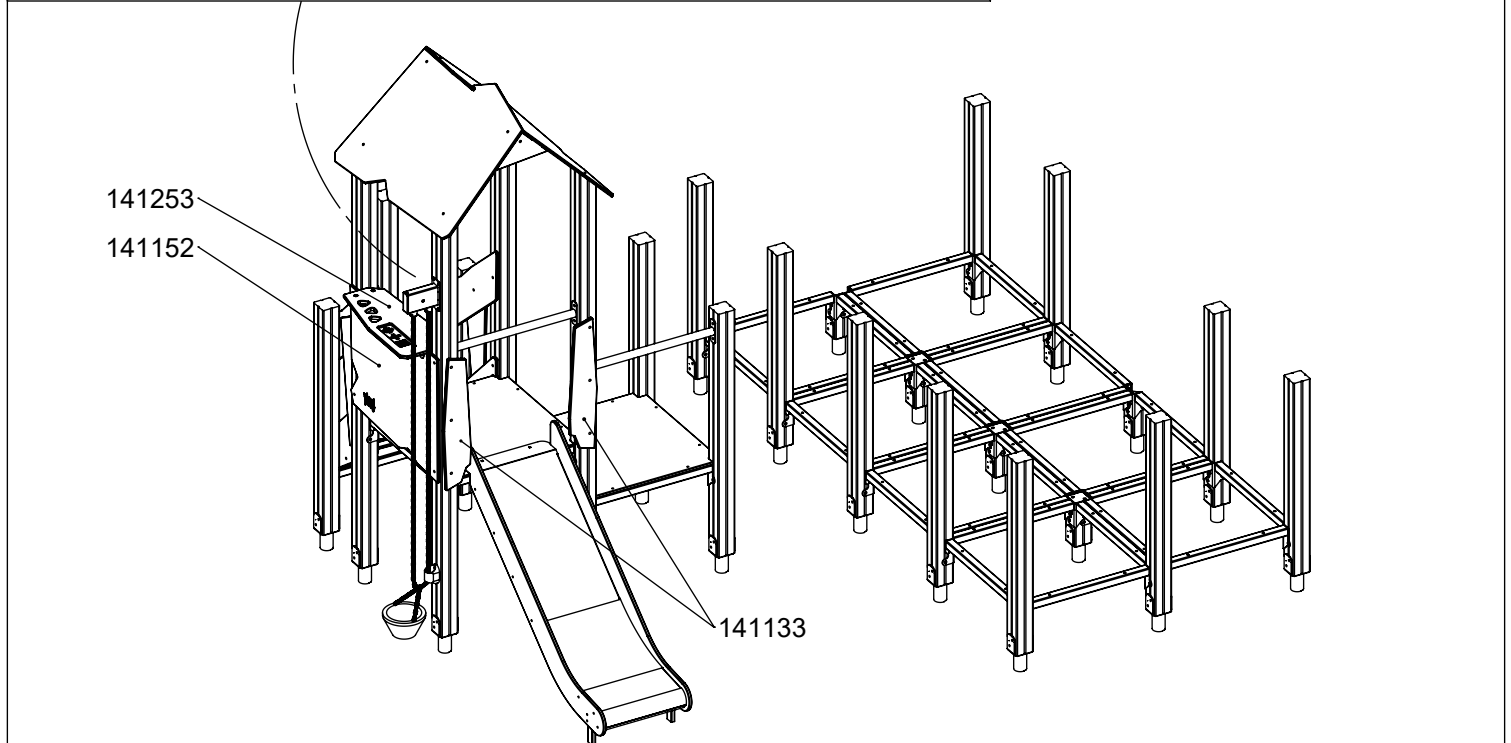
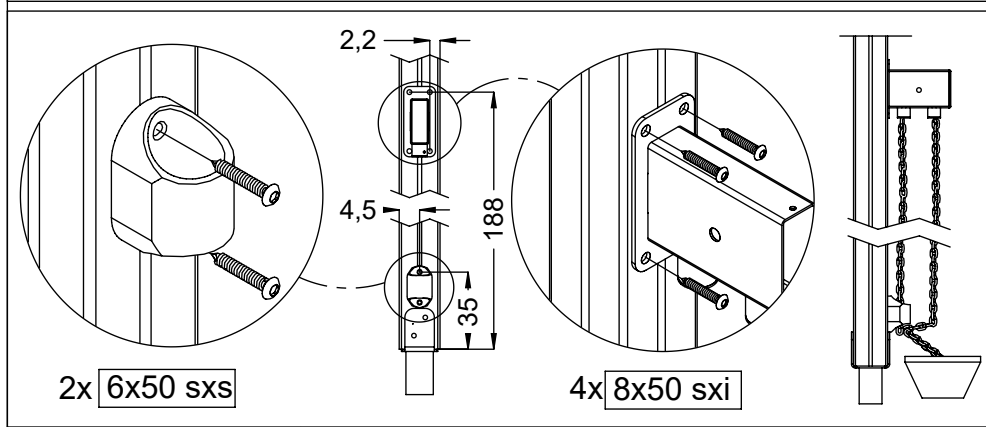
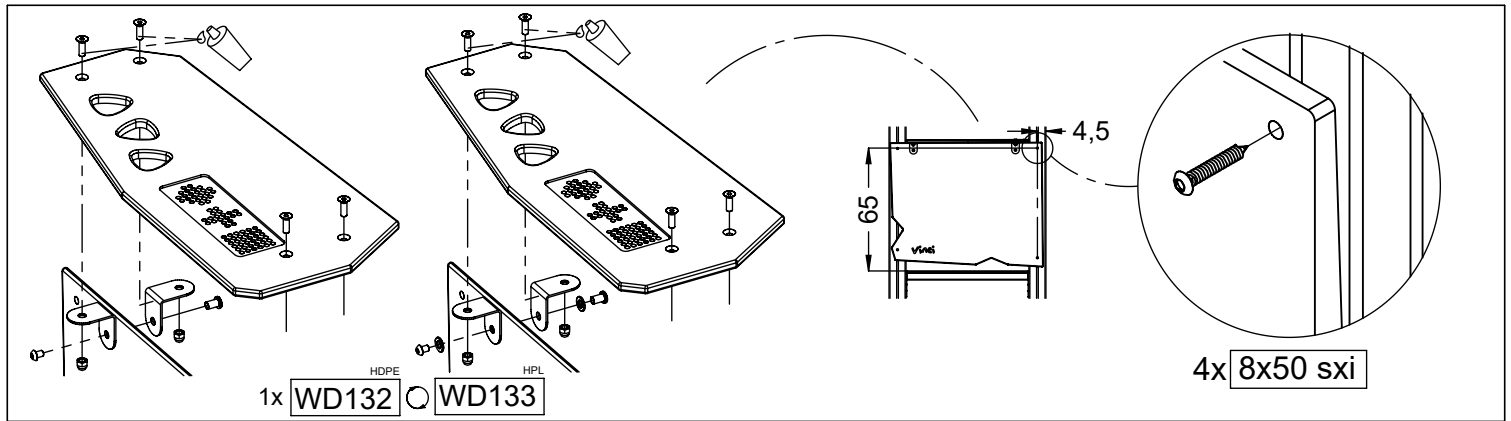
5x **WD161**

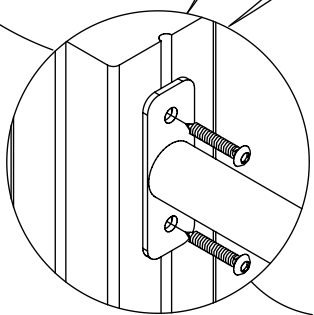
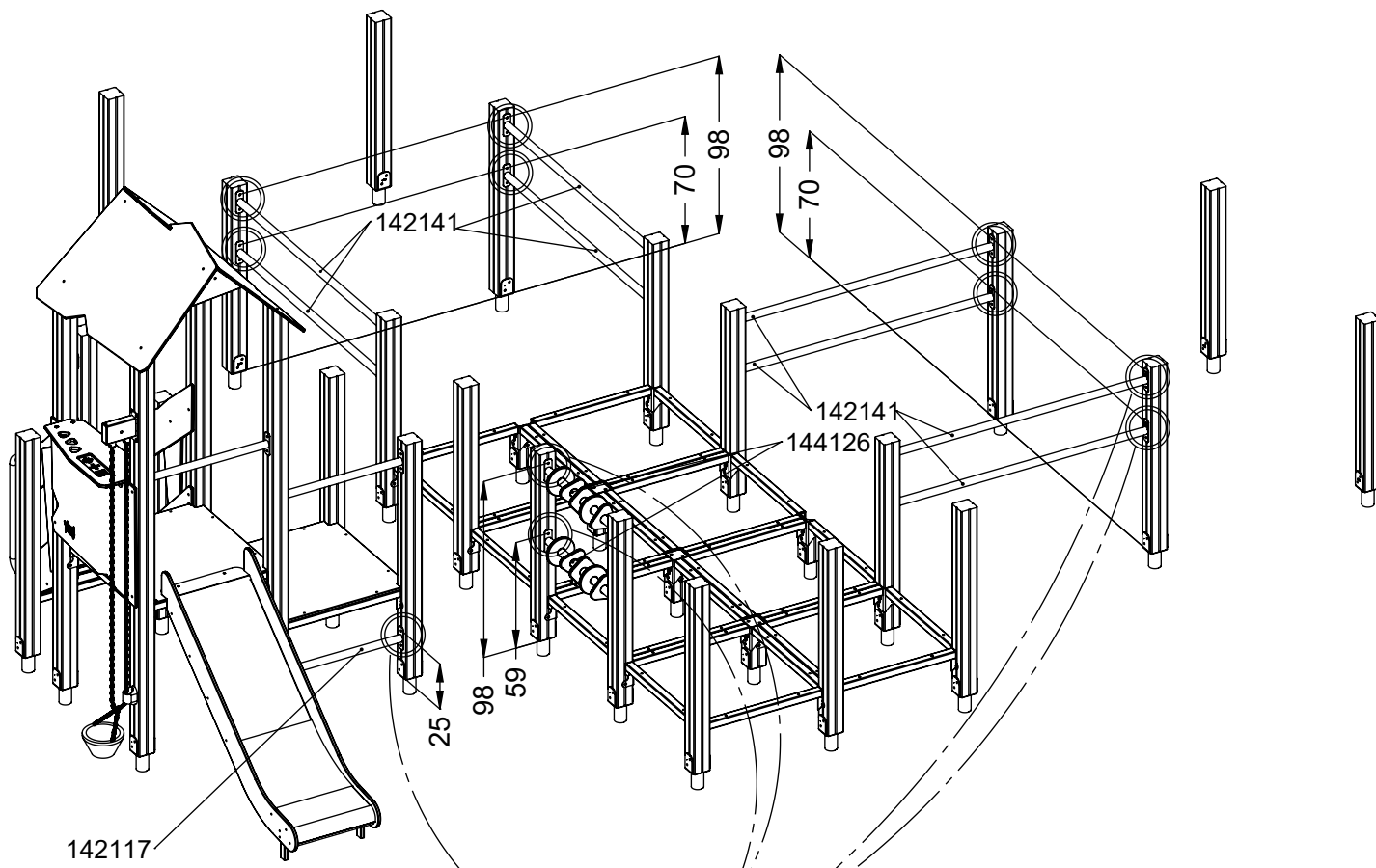


[cm]

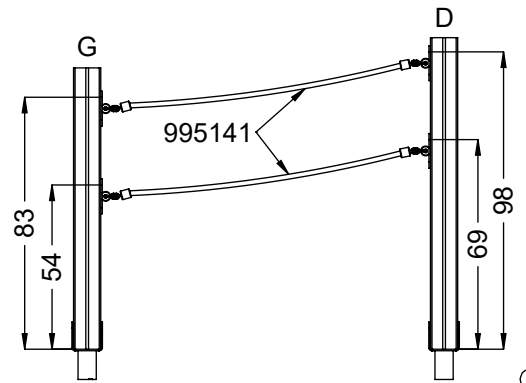
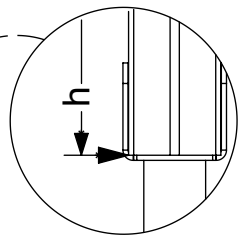
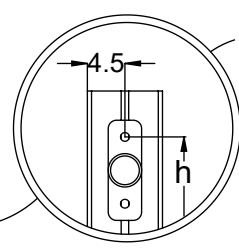


vinci
play





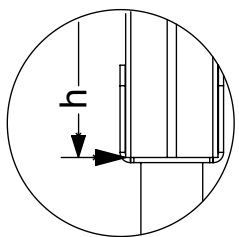
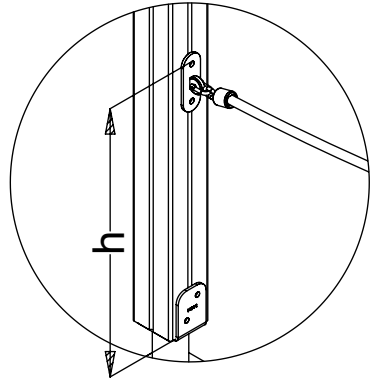
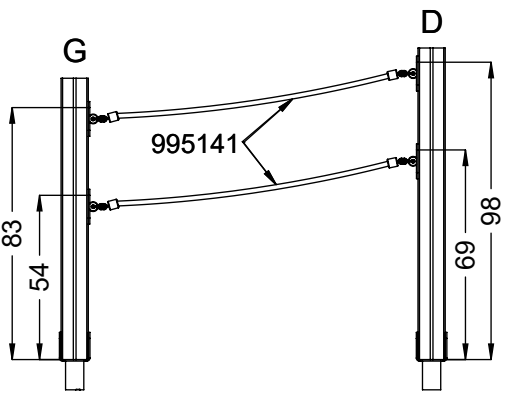
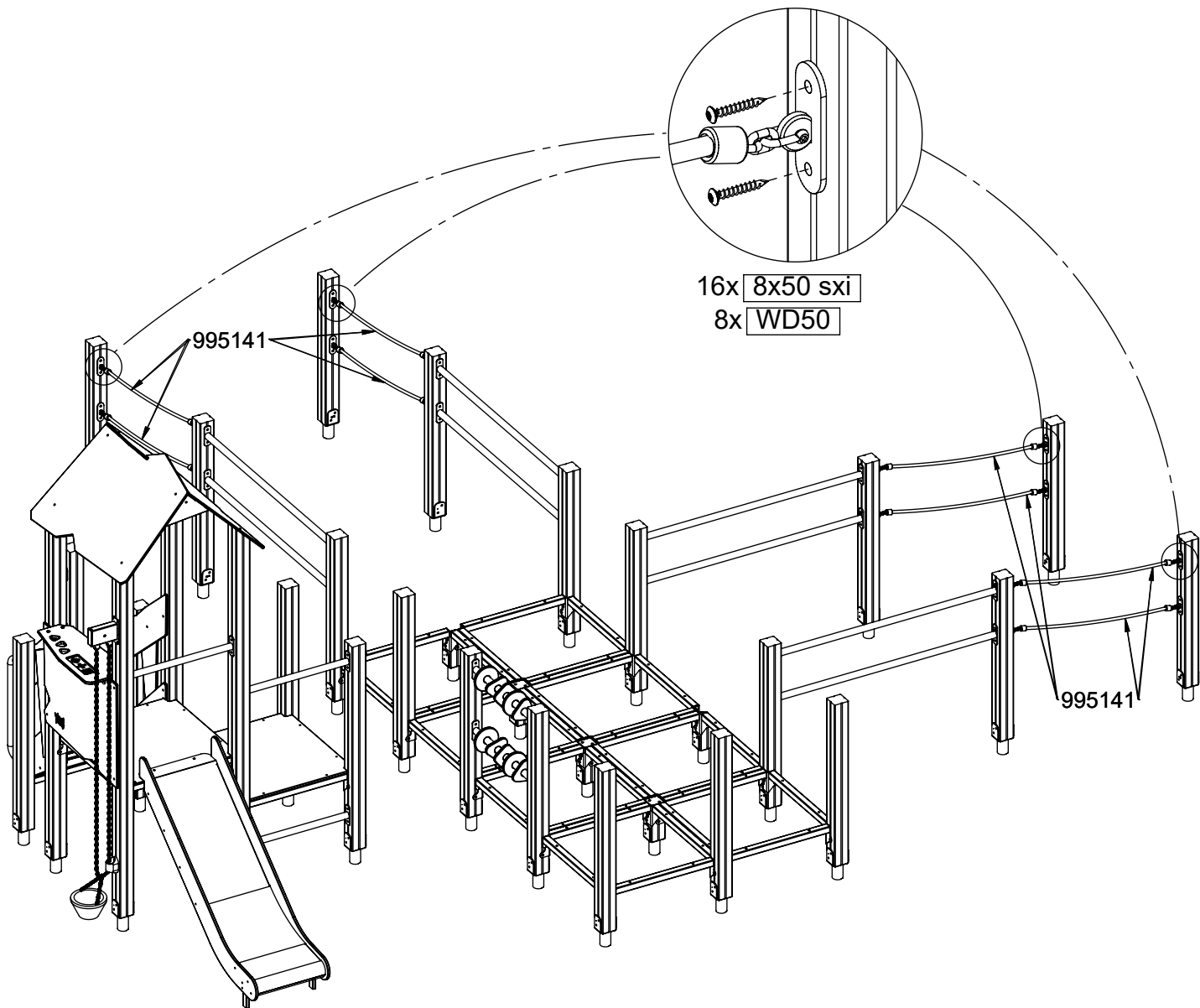
44x 8x50 sxi



[cm]



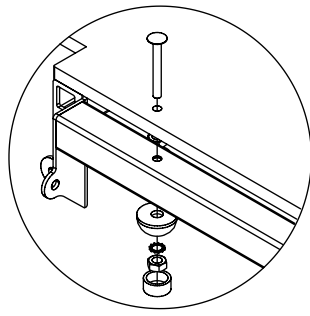
vinci
play



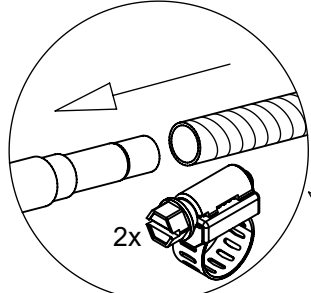
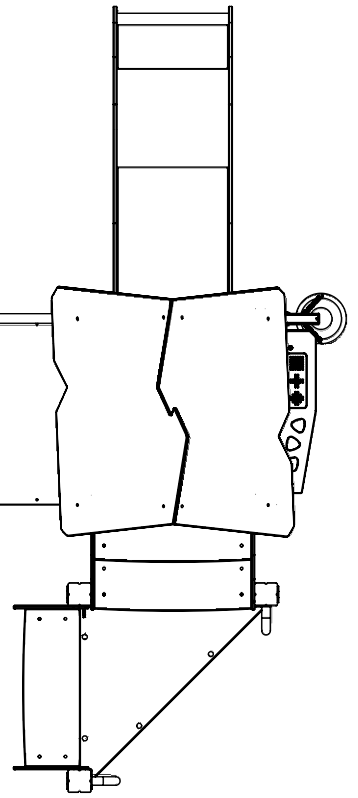
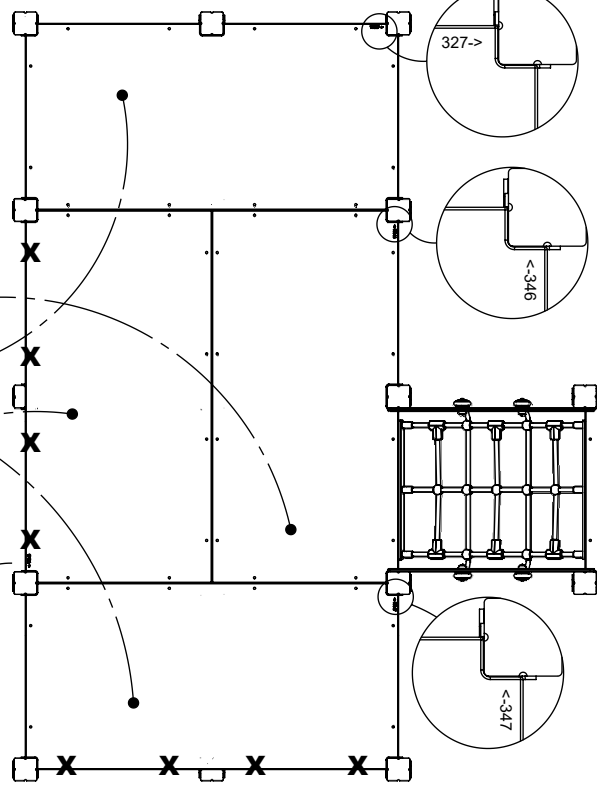
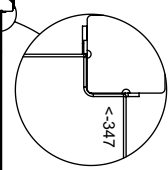
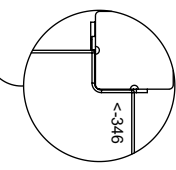
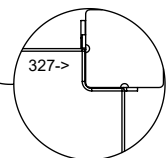
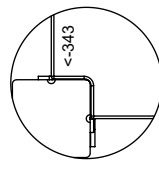
[cm]



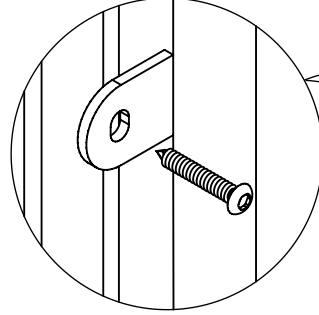
vinci
play



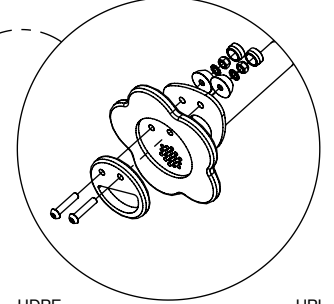
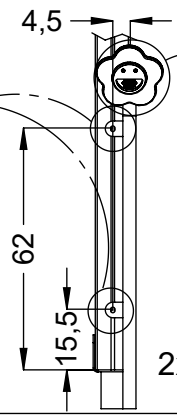
- 5x PLYWOOD **WD70** ○ HPL **WD71**
- 2x PLYWOOD **WD74** ○ HPL **WD75**
- 2x PLYWOOD **WD76** ○ HPL **WD77**



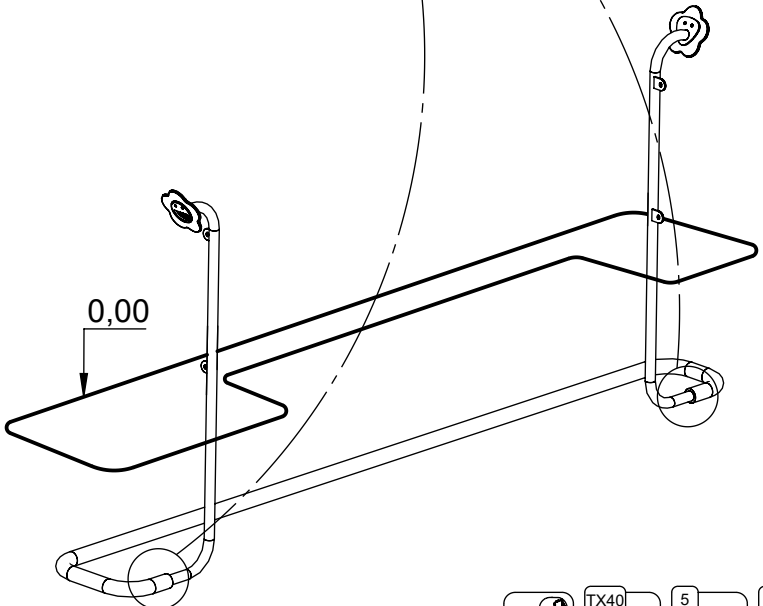
1x **Z18**



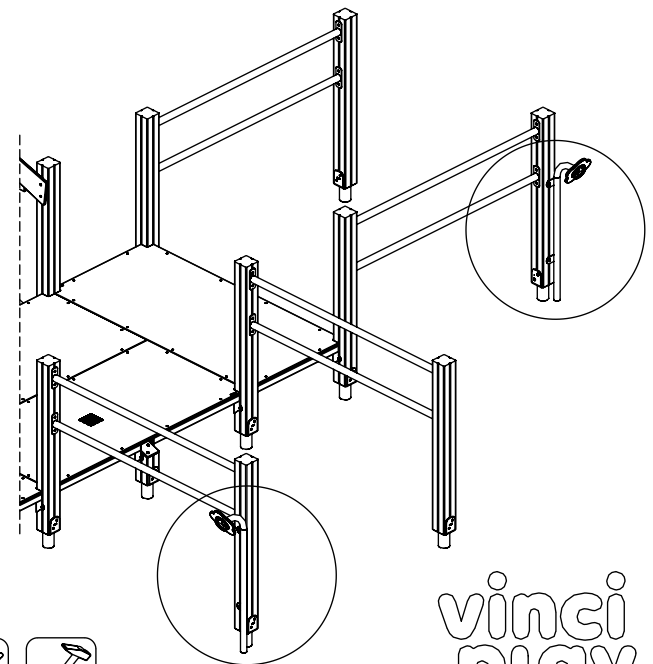
4x **8x50 sxi**



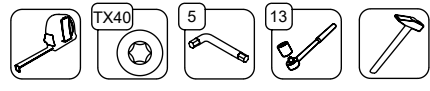
2x HDPE **WD182** ○ HPL **WD181**



0,00

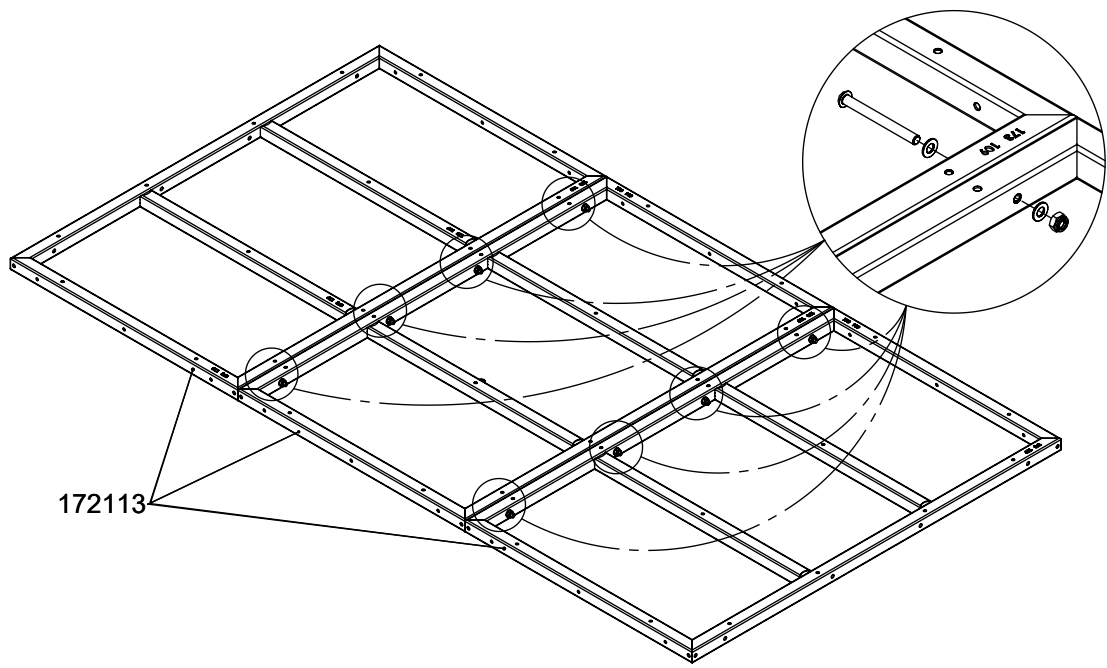


[cm]

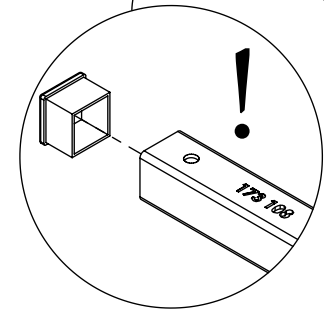
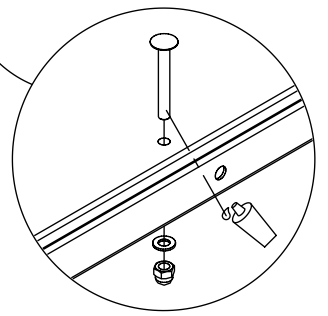
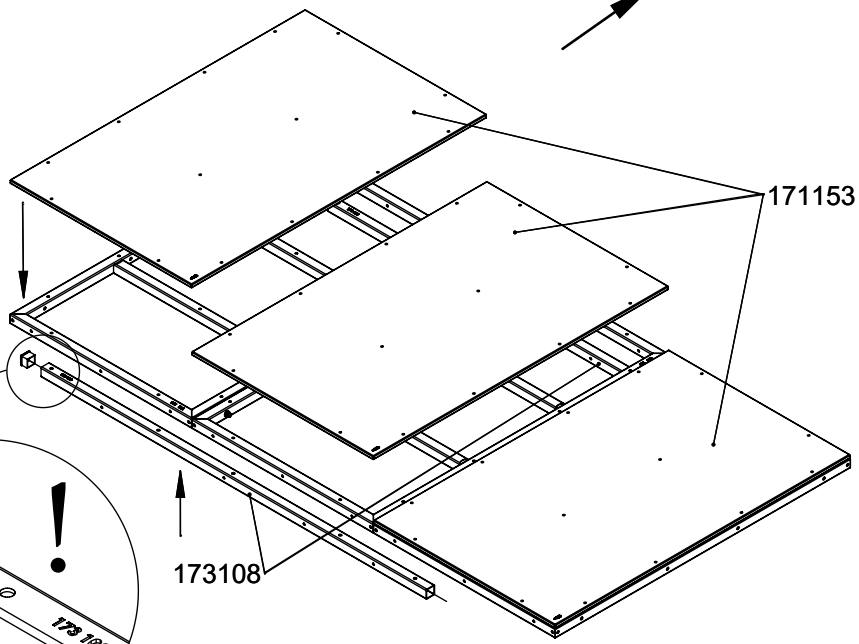
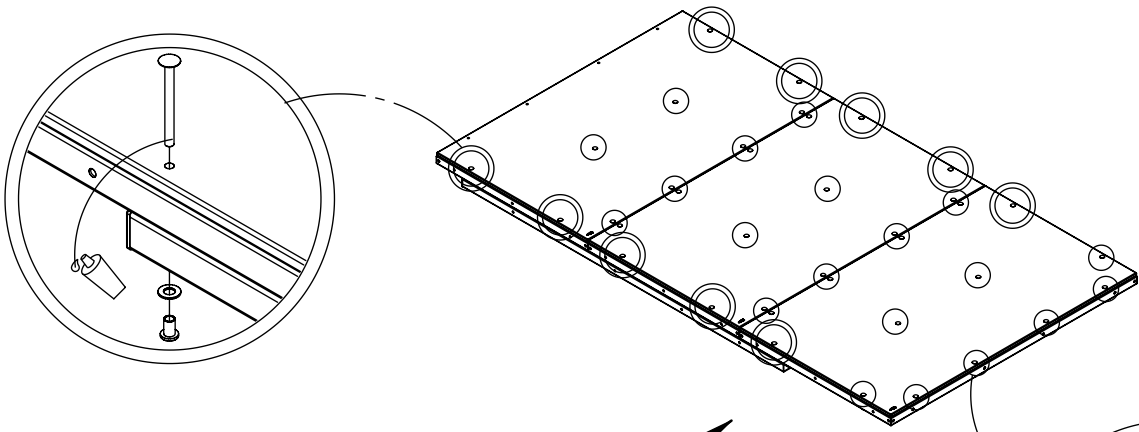


vinci play

2x



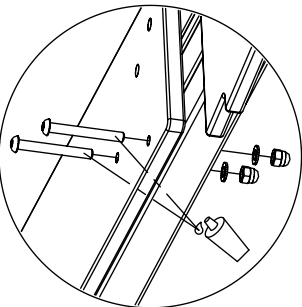
PLYWOOD 1x WD142 HPL WD141



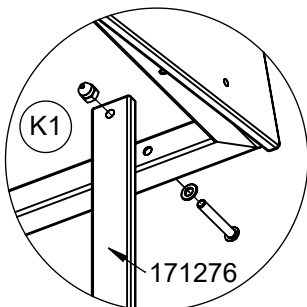
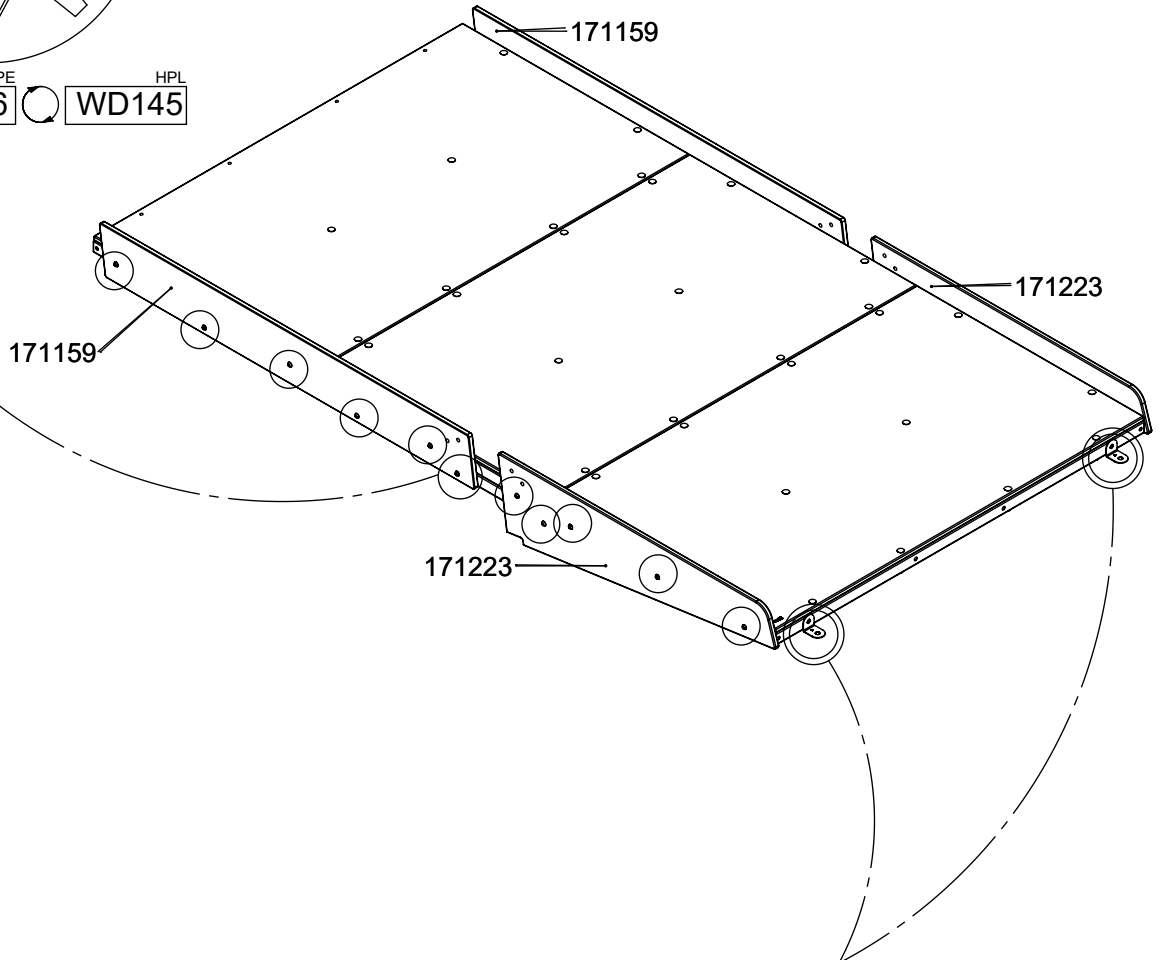
[cm]

vinci play

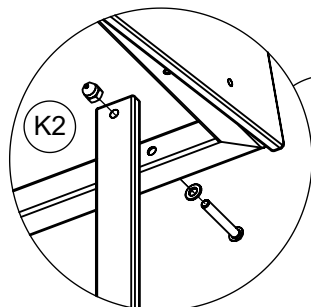
2x



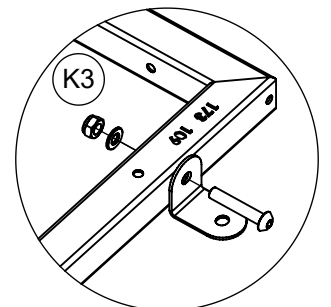
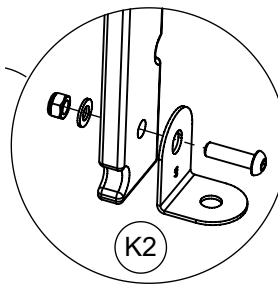
1x ^{HDPE}WD146 ^{HPL}WD145



1x WD164



1x WD171

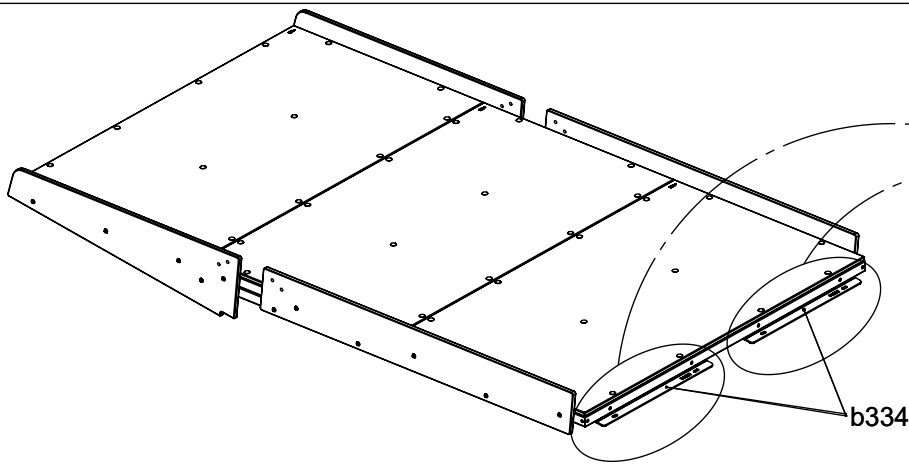


1x E184

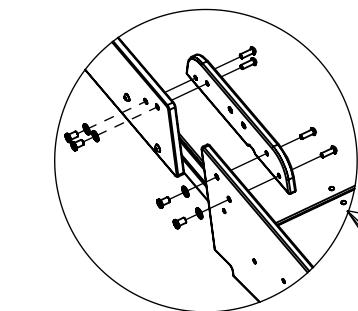
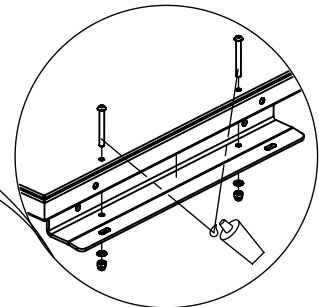
[cm]



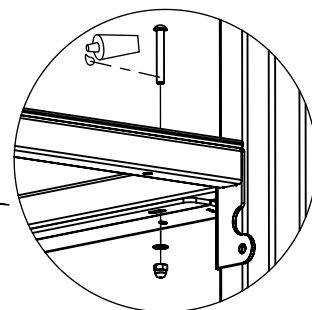
vinci
play



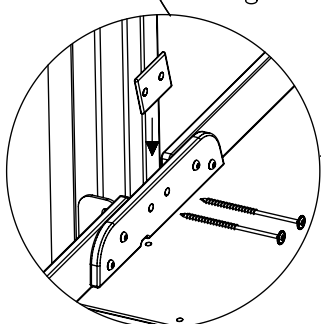
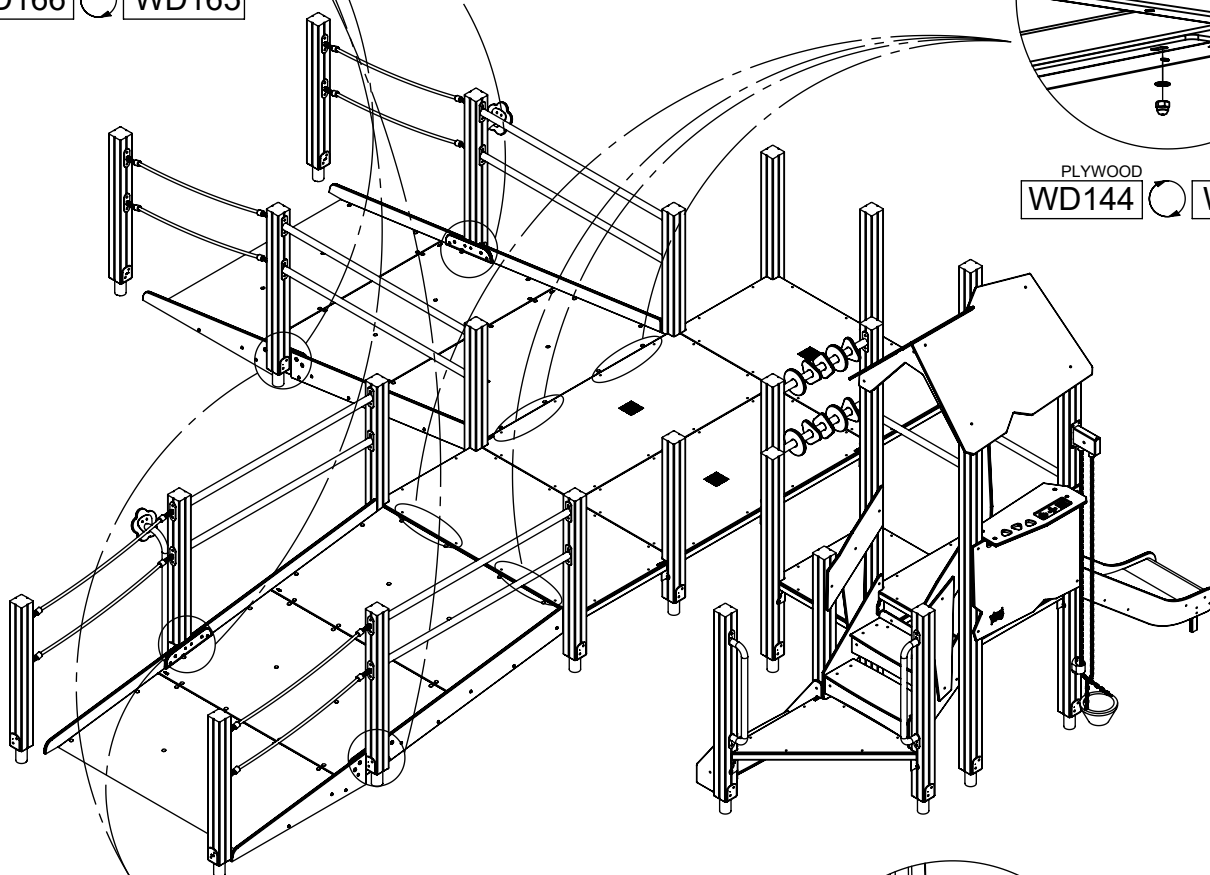
PLYWOOD 1x WD144 ○ HPL WD143



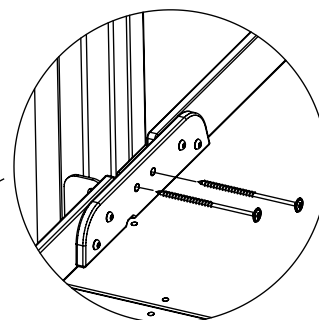
PLYWOOD 4x WD166 ○ HPL WD165



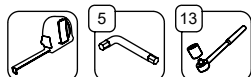
PLYWOOD WD144 ○ HPL WD143



2xWD163

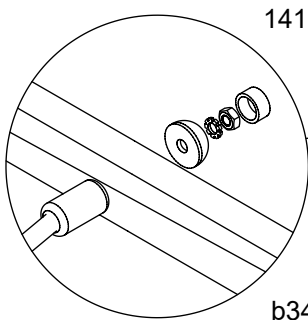


8x 8x80 sxt

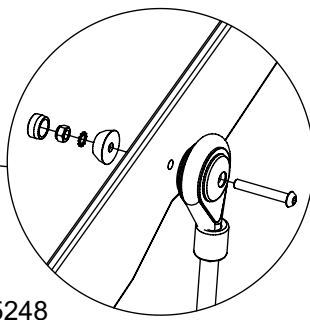
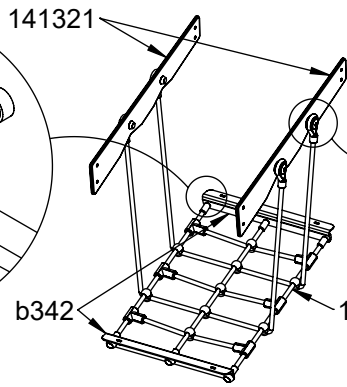


[cm]

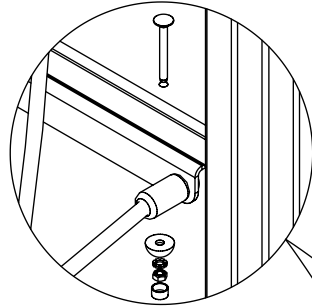
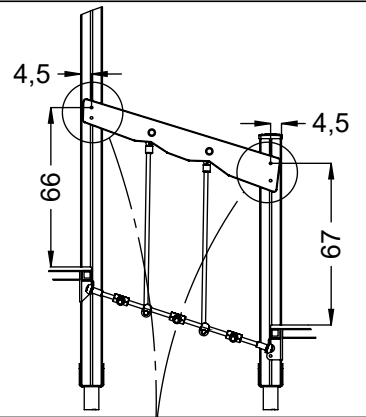
vinci
play



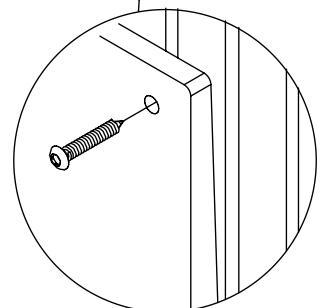
1x **WD66**



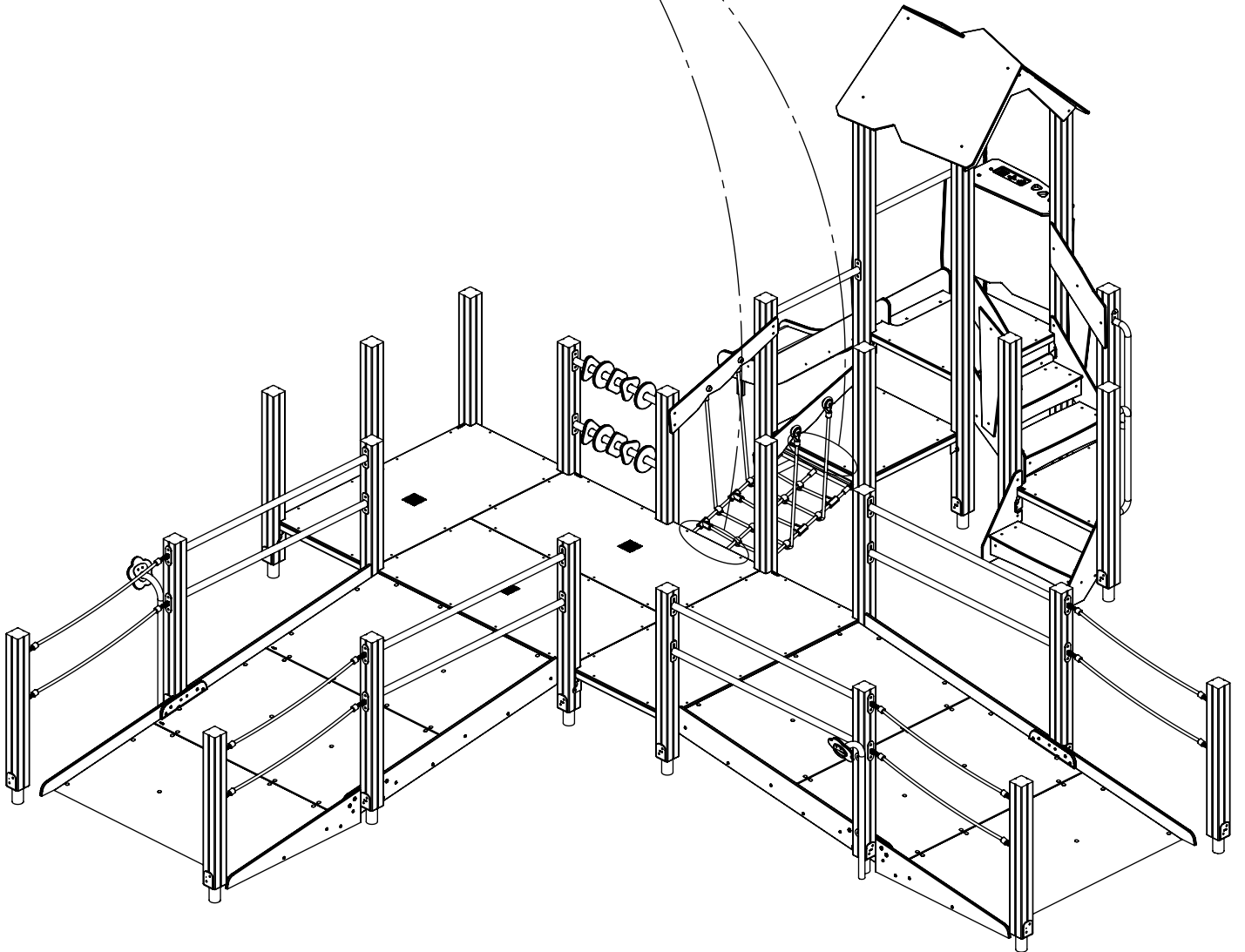
2x **WD59**



2x **WD63** **WD64**



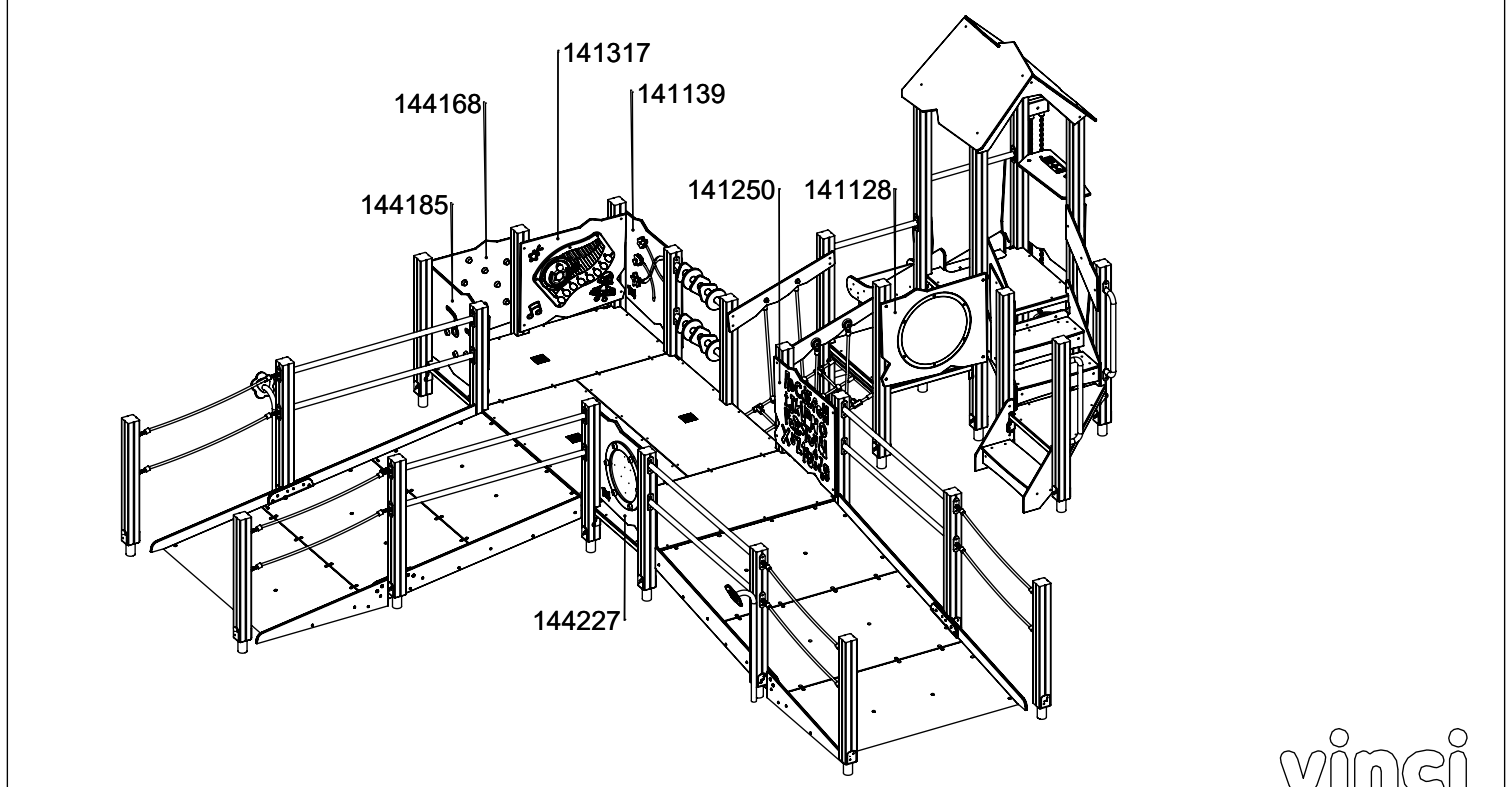
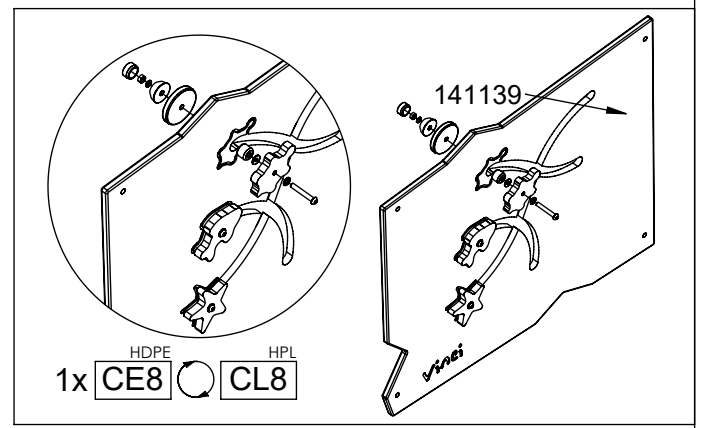
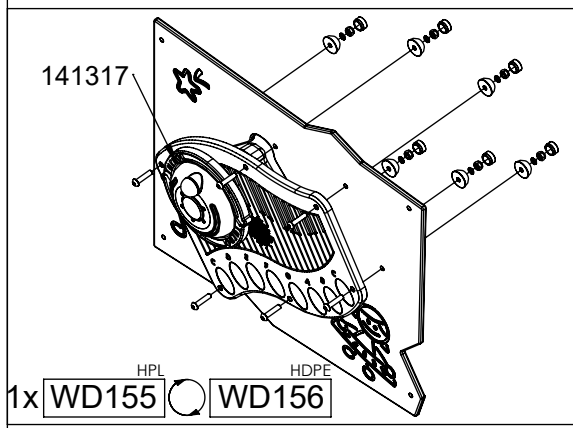
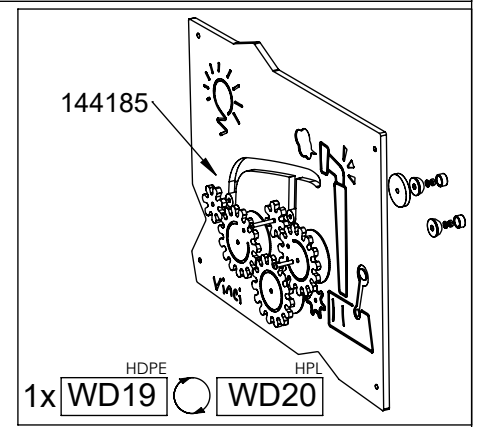
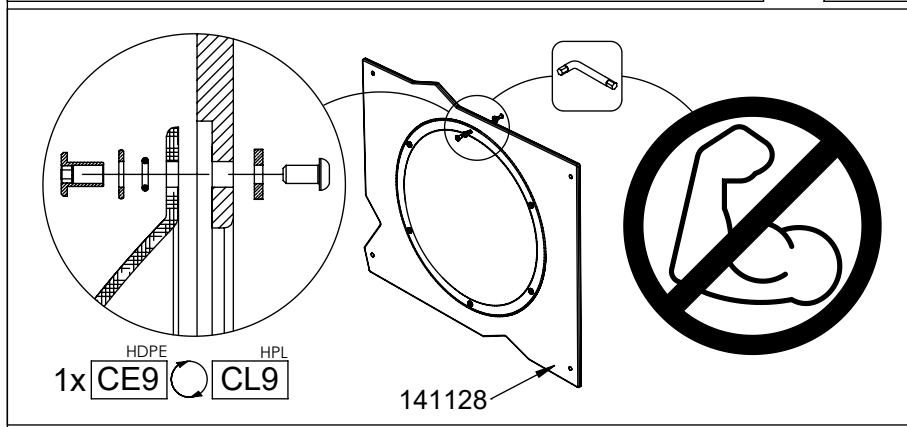
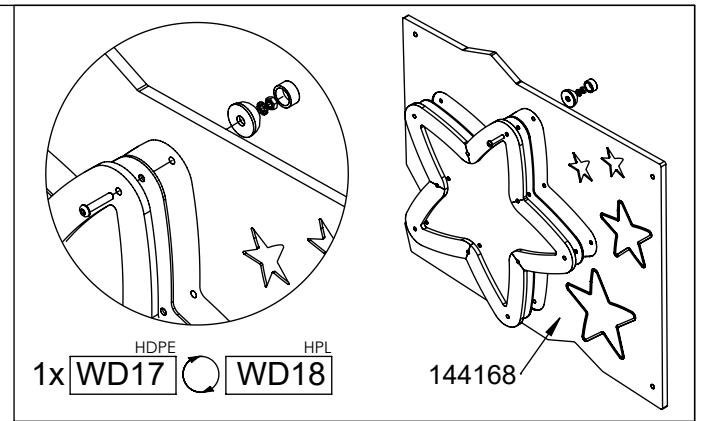
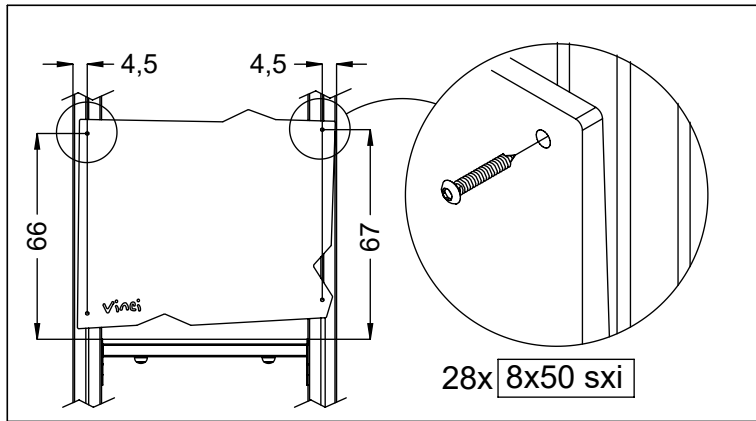
8x **8x50 sxi**



[cm]



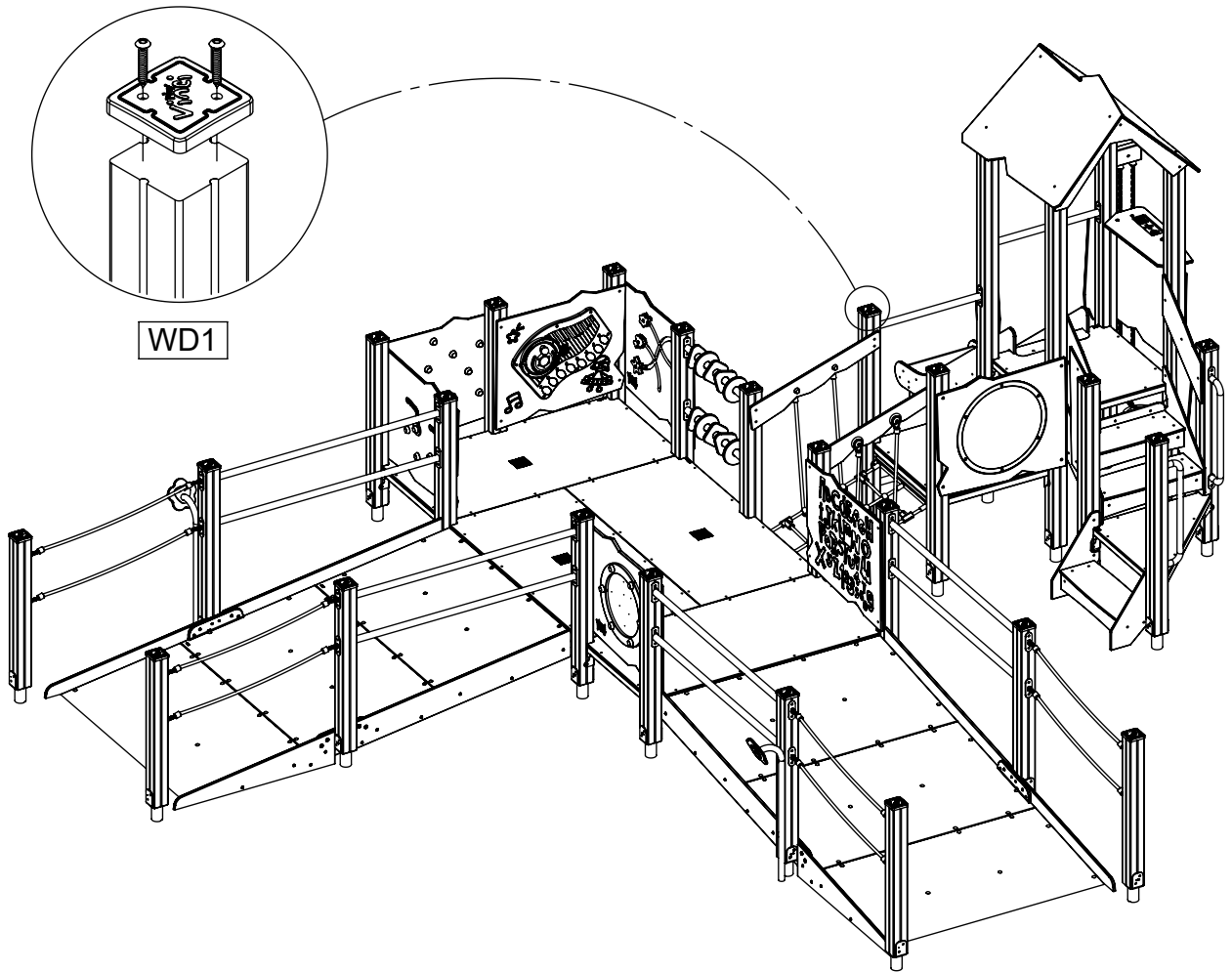
vinci play



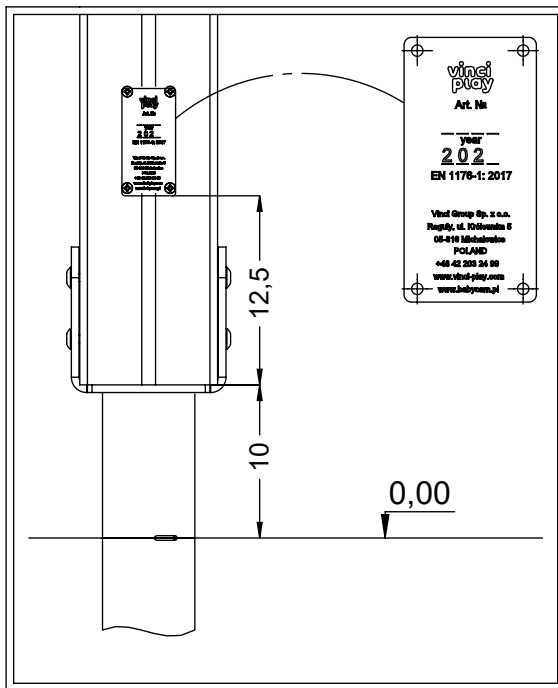
[cm]



vinci
play



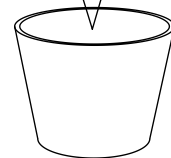
WD1



V001

Part No:
000000-
00000

000000-00000



[cm]



vinci
play