

## Product technical sheet

# FITNESS RB1110



14+



< 140 kg

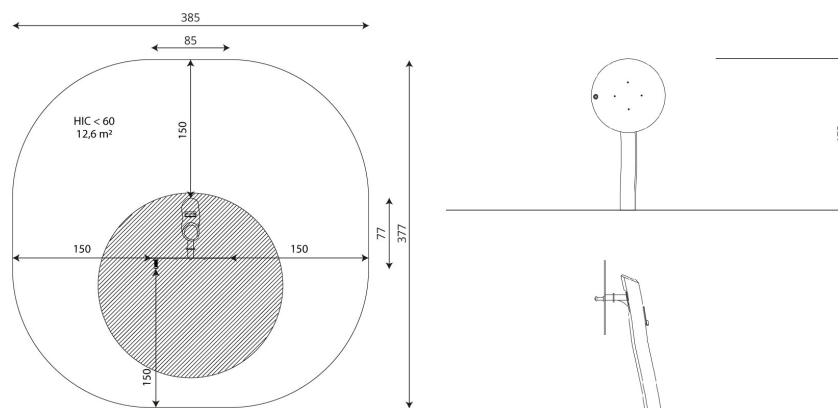


12,6 m<sup>2</sup>

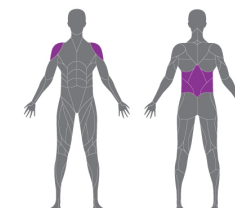
### Product data

Length	85 cm
Width	77 cm
Total height	175 cm
Age group	14+ years
Maximum weight of user	140 kg
Safety zone	12,6 m <sup>2</sup>
Free fall height	<60 cm
In accordance with norm EN	16630:2015
Weight of the heaviest part	55 kg
Dimensions of the largest part	22x22x225 cm
Availability of spare parts	YES

Data is subject to change without prior notice.



vinci  
play



Vinci Group Sp. z o.o.  
Seminaryjna 9 Street  
99-400 Łowicz

VAT: 534-250-14-46  
PHONE: +48 42 203 24 99 ext. 26  
M: +48 793 404 991

01/04/2021

fitness

biuro@vinci-play.com  
info@vinci-play.com  
www.vinci-play.com

1 / 3

## Material specification



Construction made of Robinia - very durable acacia wood with a diameter of ~ 22 cm without sharp edges, resistant to weather conditions,



Polycarbonate exercise instructions information plate and phone holder made of durable HDPE plate, resistant to weather conditions,



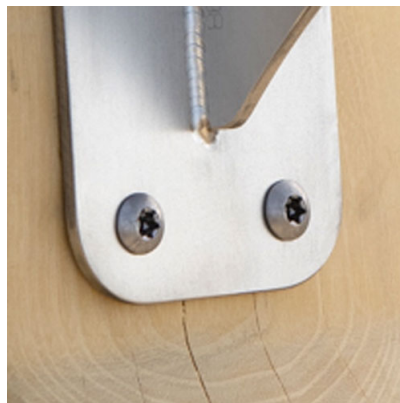
Rotary elements made of polycarbonate,



Stainless steel bars and handrails,



Moving elements based on bearings mechanism closed in casing, which do not require periodic greasing and maintenance, ensuring long service life of the device,



Stainless steel screws and/or screws covered with plastic caps,

## Additional information

- device intended for public outdoor gyms;
- equipment has a certificate issued by an accredited entity or a declaration of conformity;
- no sharp edges or chinks that would pose a danger of jimmie the head, fingers or any other body parts;
- anchoring on flat surface, 80/70 cm deep;
- render is for reference only, the actual appearance of the equipment and its color may vary;

## Guarantee

- 30** 30 year guarantee - Structural strength of steel and stainless steel components
- 15** 15 year guarantee - Structural failure of steel and stainless steel, for dynamic equipment
- 10** 10 year guarantee - Structural failure of high density polyethylene and high pressure laminates components
- 5** 5 year guarantee - Corrosion of stainless steel and hot dip galvanized and powder coated components; against bark beetles and rot in case of wooden structural elements

Detailed information in the guarantee card

Vinci Group Sp. z o.o.  
Seminarijna 9 Street  
99-400 Łowicz

VAT: 534-250-14-46  
PHONE: +48 42 203 24 99 ext. 26  
M: +48 793 404 991

01/04/2021

**fitness**

biuro@vinci-play.com  
info@vinci-play.com  
[www.vinci-play.com](http://www.vinci-play.com)

2 / 3

## Amount of safe surface corresponding with free fall height:

HIC <60 12,6 m<sup>2</sup>

Data is subject to change without prior notice.

## Surfaces according to EN 16630:2015

	Description (mm)	Layer thickness (cm)	Maximum fall height (cm)
Concrete / stone / bituminous surfaces (A, B, C)	-	-	≤100
outer soil layer (A,B,C)	-	-	≤120
Turf (A,B,C)	-	-	≤150
bark (A,C)	Particle size from 20 to 80	30	≤200
		40	≤300
wood shavings/cuttings (A, C)	Particle size from 5 to 30	30	≤200
		40	≤300
sand (A,C)	Particle size from 0,2 to 2 mm	30	≤200
		40	≤300
gravel (A,C)	Particle size from 2 to 8	30	≤200
		40	≤300
attested synthetic (A, B, C)	Tested according to EN 1177		60



Vinci Group Sp. z o.o.  
Seminaryjna 9 Street  
99-400 Łowicz

VAT: 534-250-14-46  
PHONE: +48 42 203 24 99 ext. 26  
M: +48 793 404 991

**fitness**

biuro@vinci-play.com  
info@vinci-play.com  
www.vinci-play.com