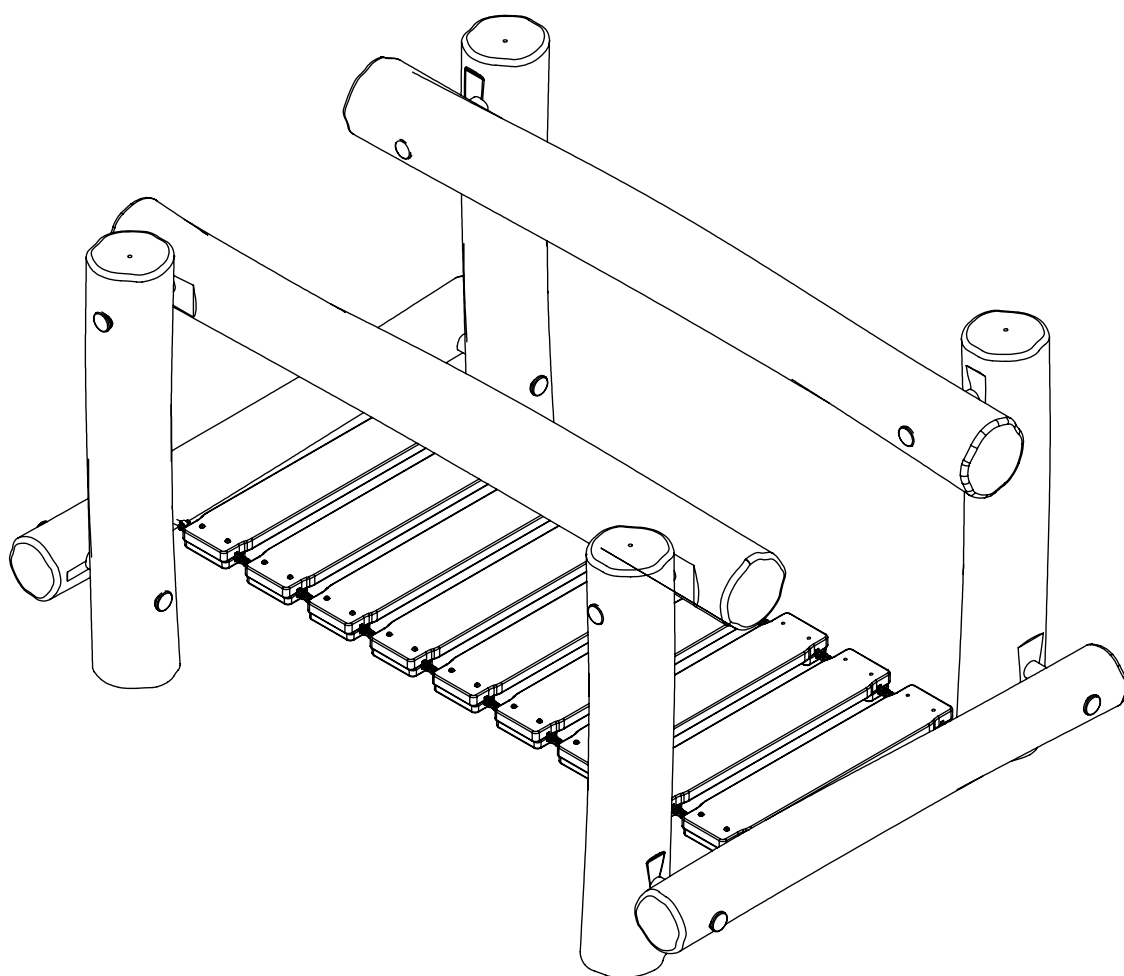
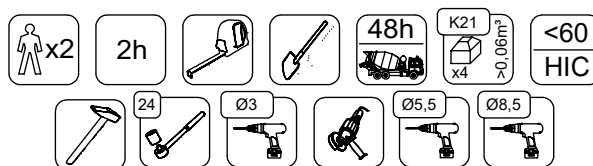


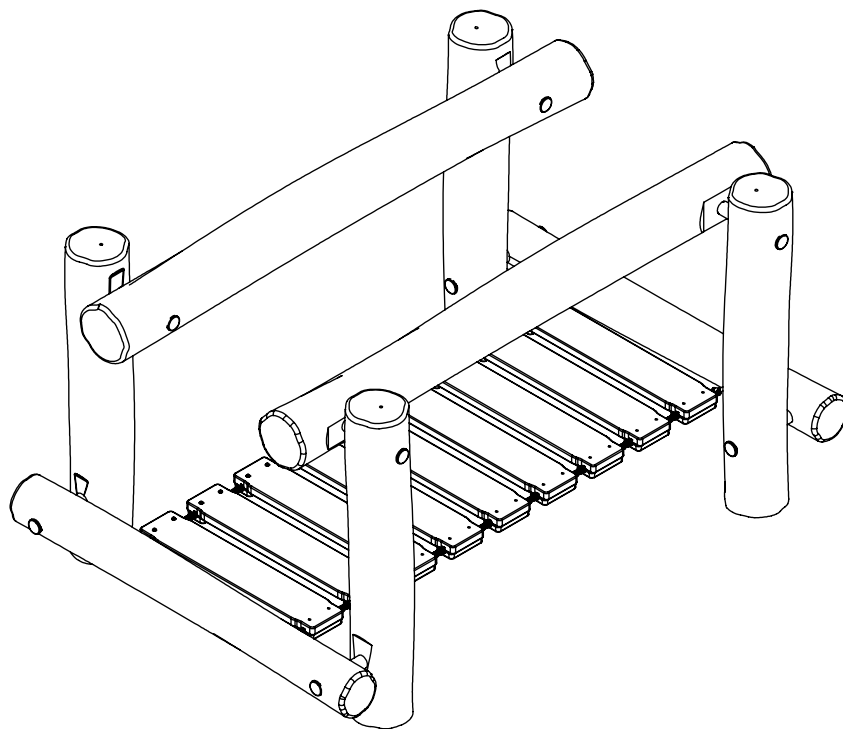
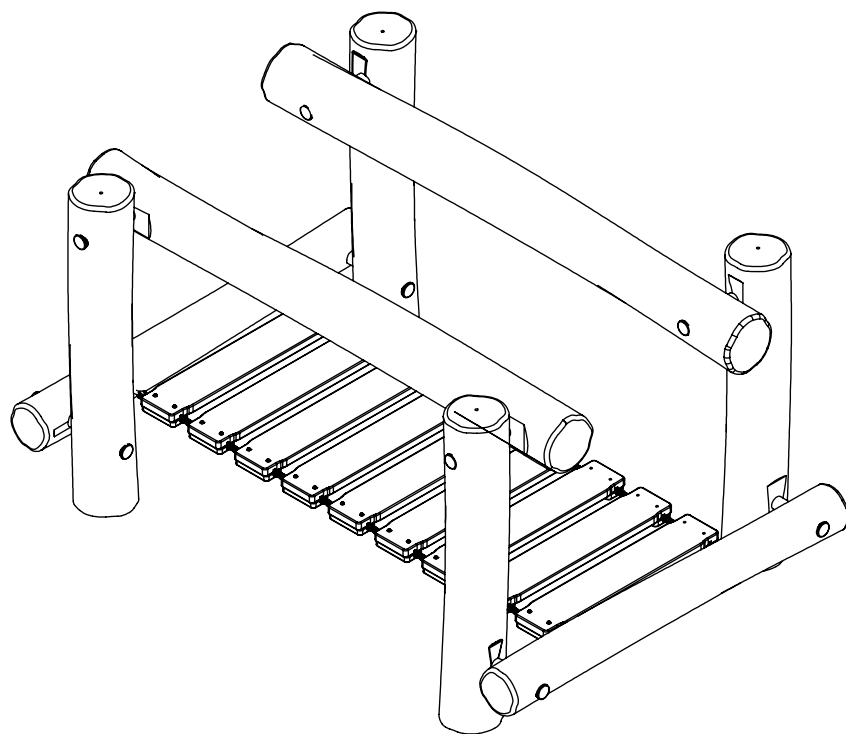
# RB1250



v010  
19.02.2025  
B. B.  
[cm]



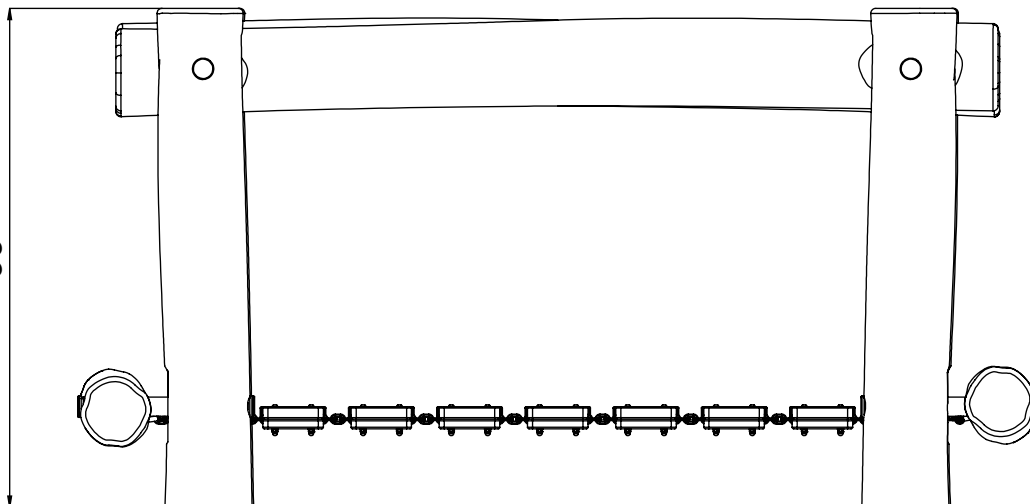
vinci  
play



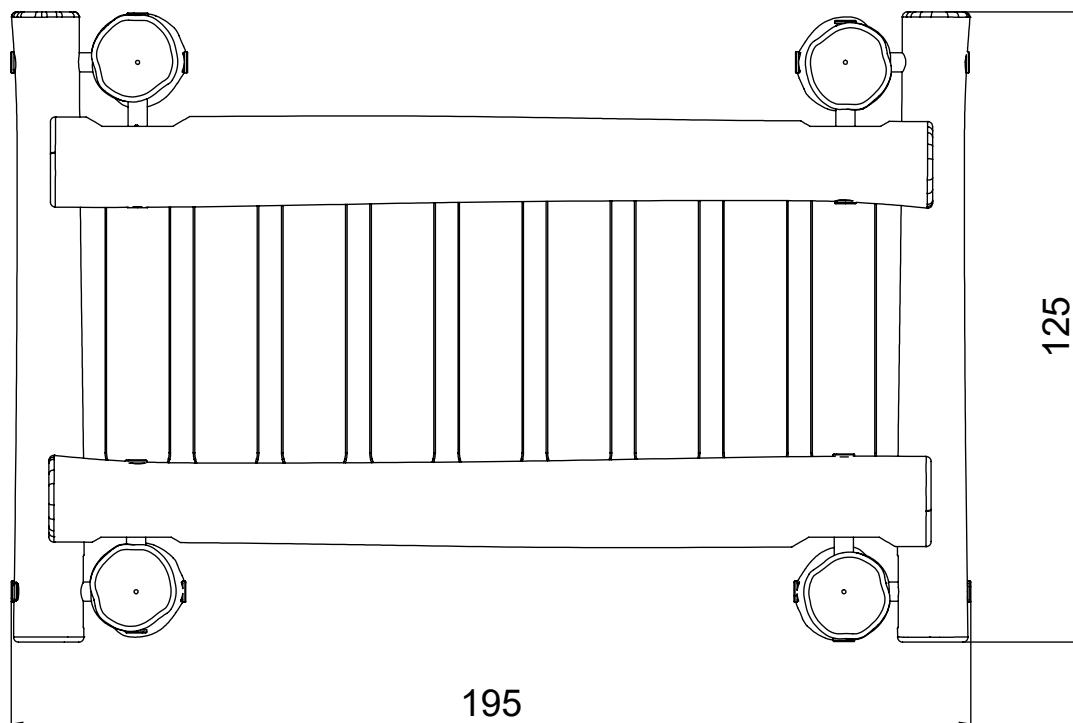
[cm]

vinci  
play

99



0,00



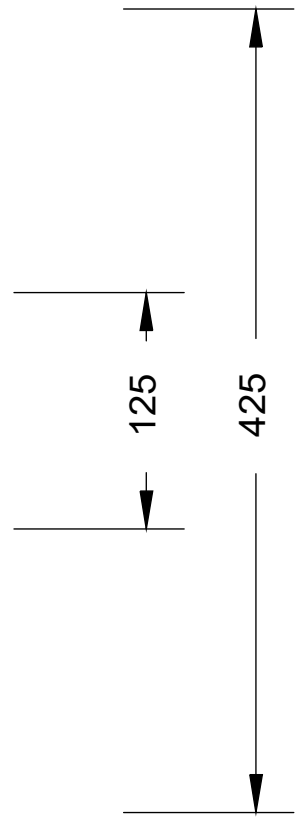
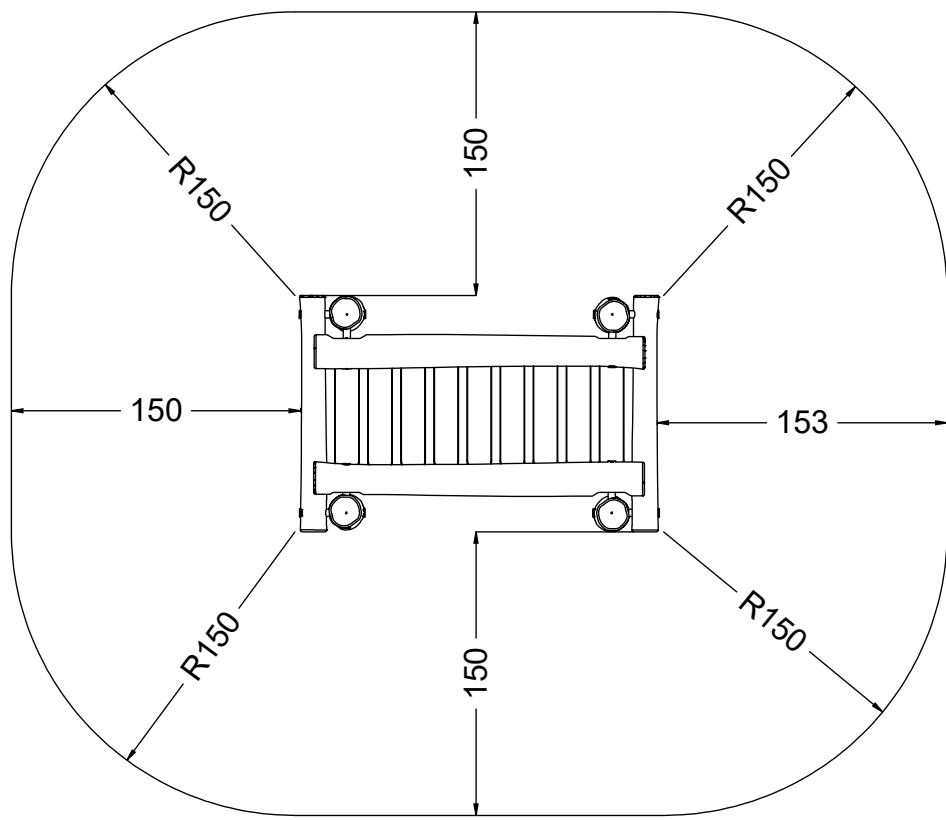
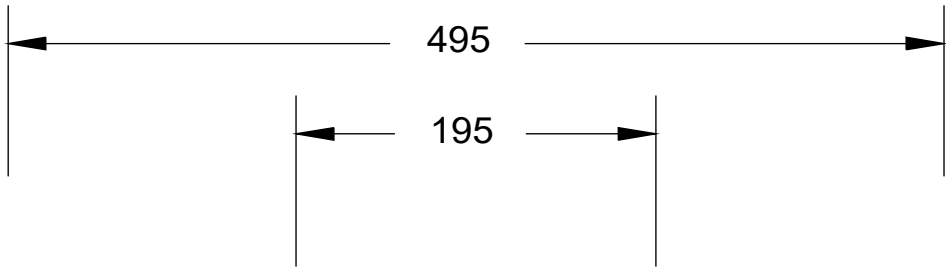
125

195

[cm]



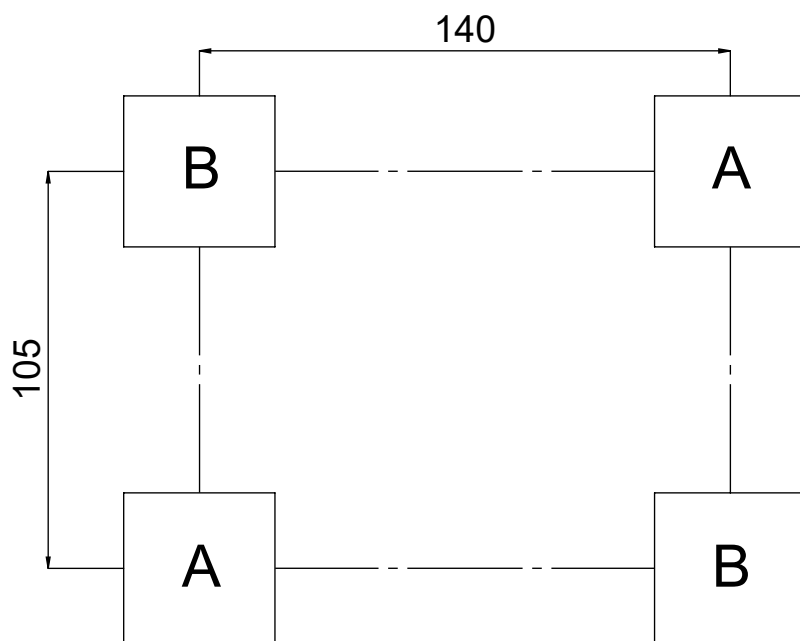
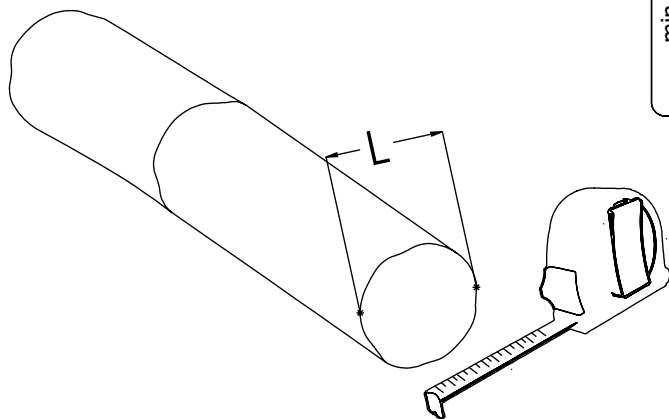
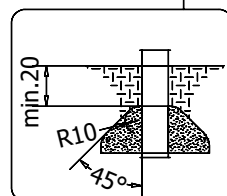
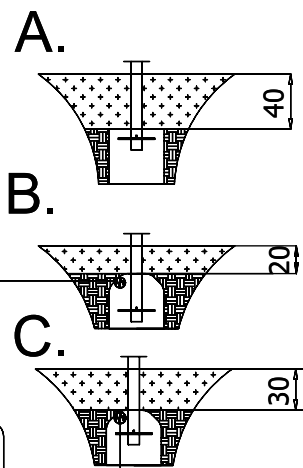
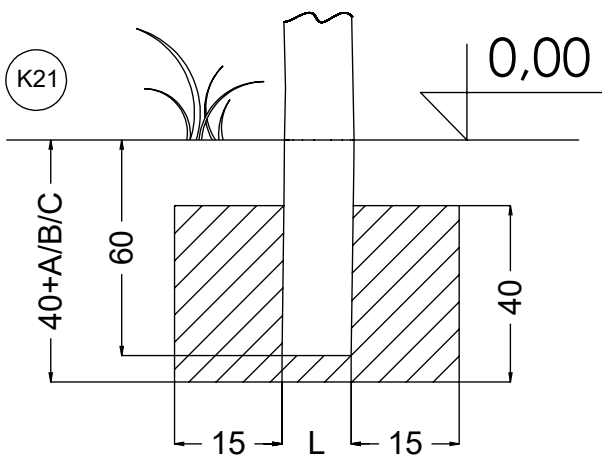
vinci  
play



[cm]



vinci  
play



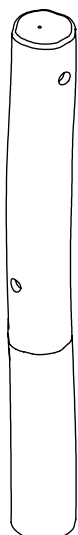
[cm]



vinci  
play



1271204 (A)  
x2



1271203 (B)  
x2



1271205  
x2

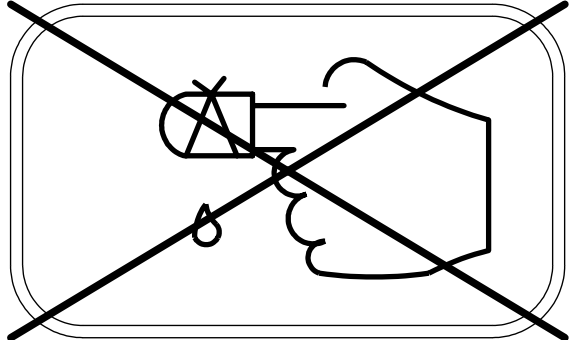
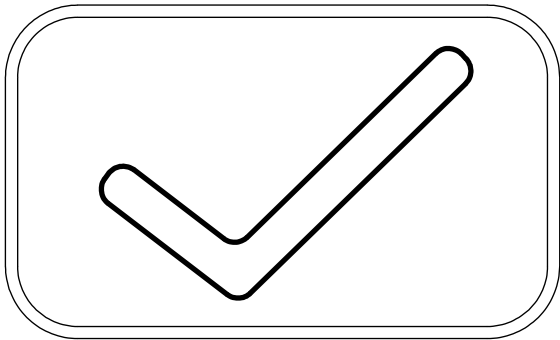
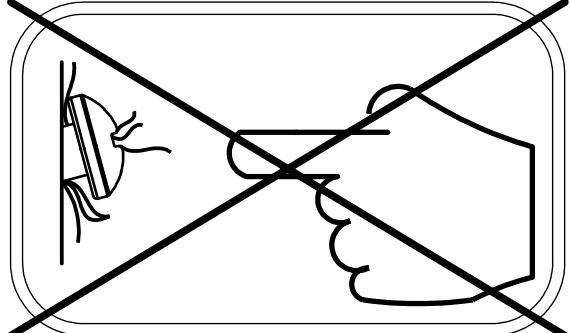
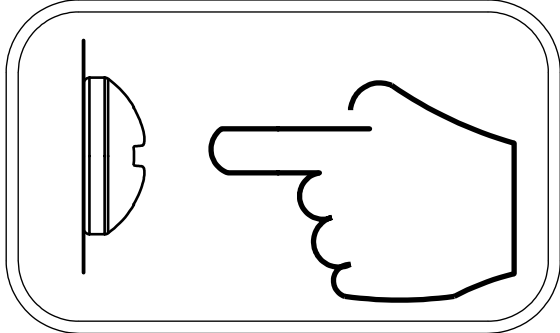
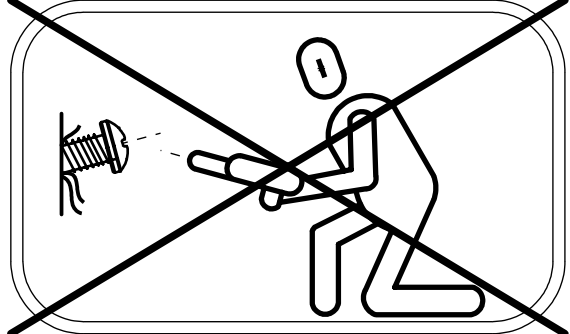
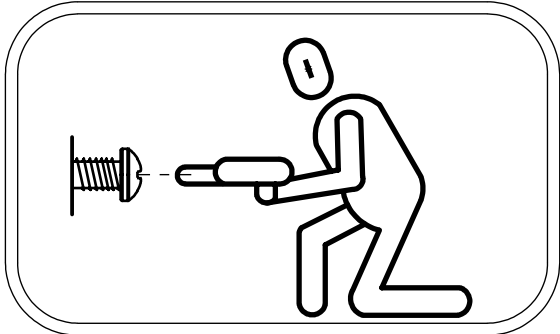


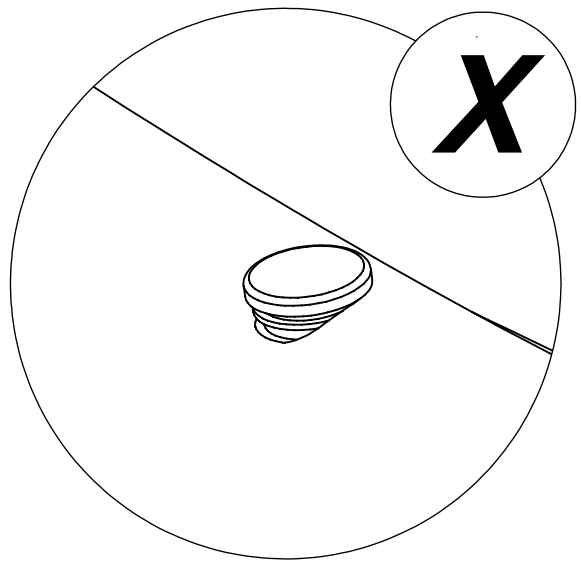
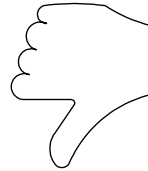
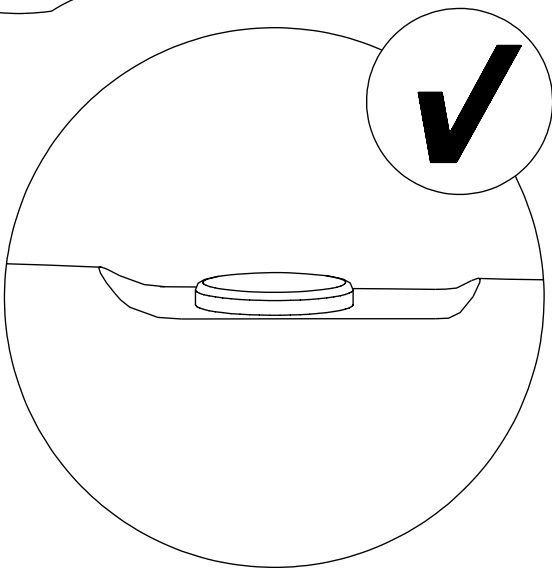
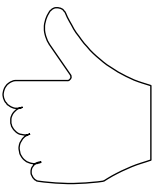
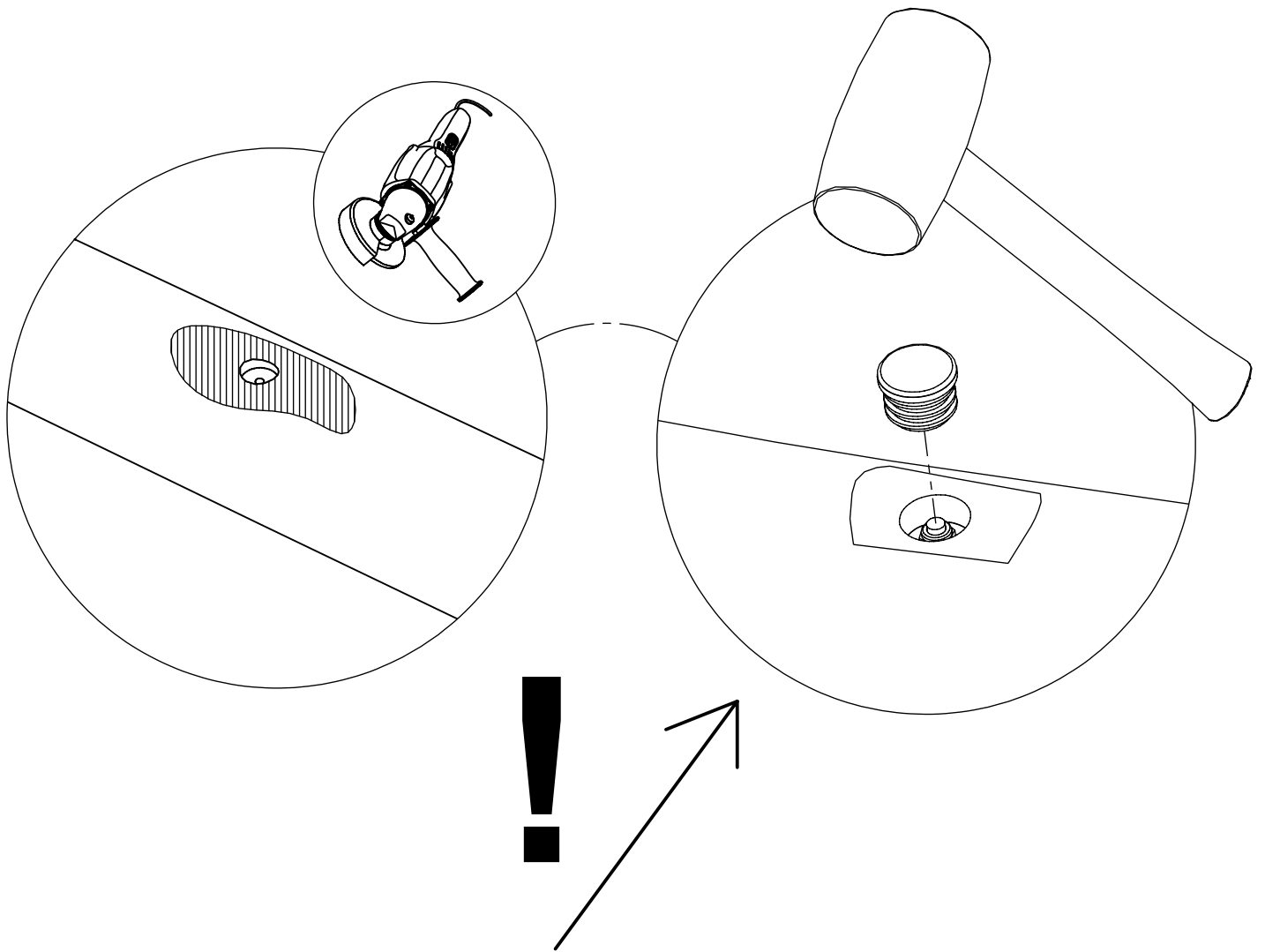
1271206  
x2



128354  
x9

|    |        |
|----|--------|
| 4x | 12e022 |
| 9x | 12e162 |
| 2x | 12e164 |
| 2x | 12e007 |
| 1x | 12e100 |
| 1x | V001   |

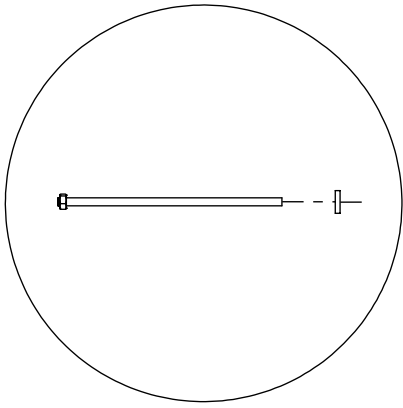




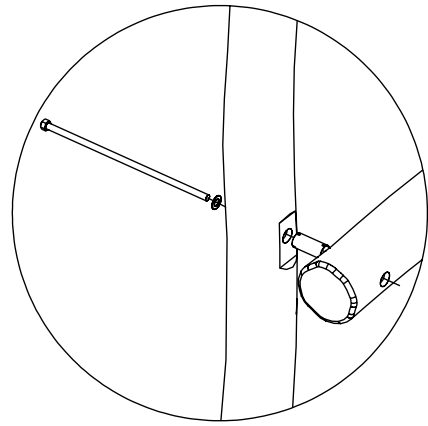
[cm]

vinci  
play

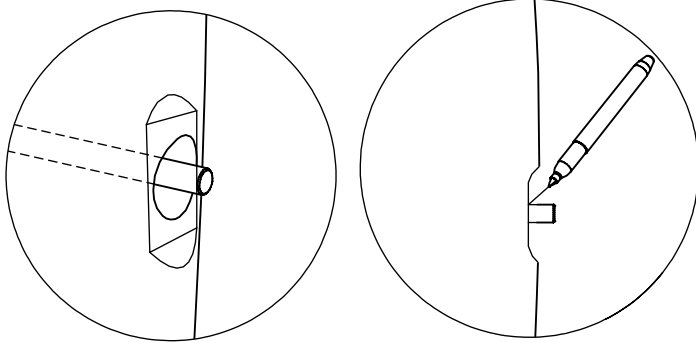
1.



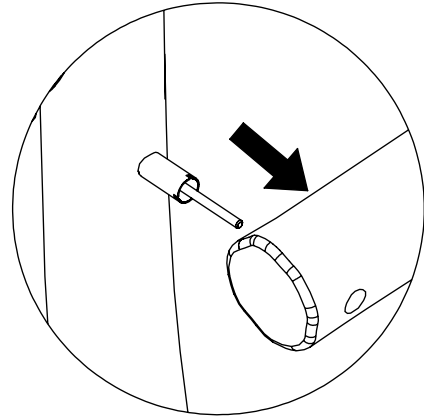
2.



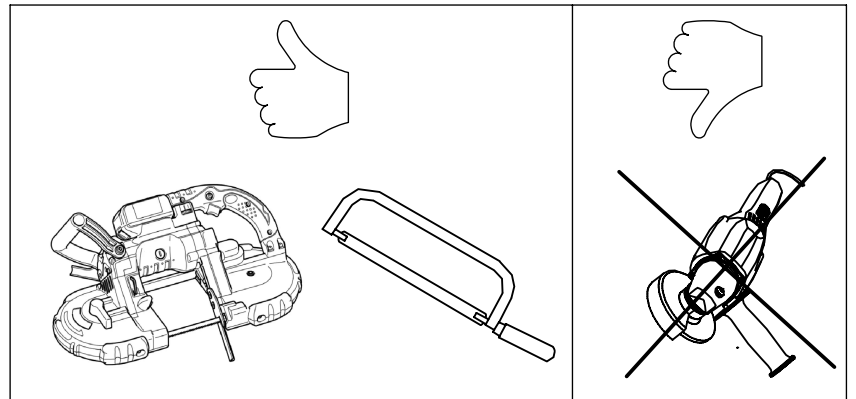
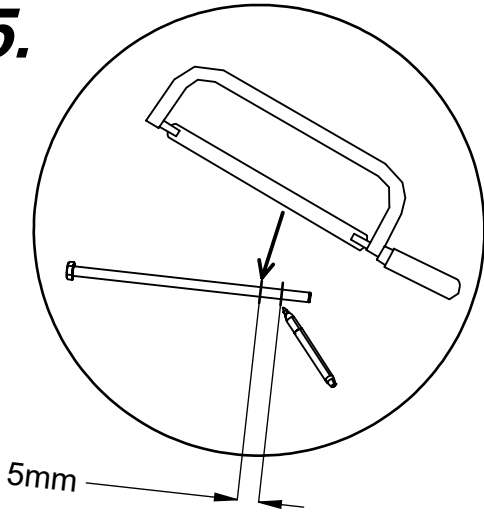
3.



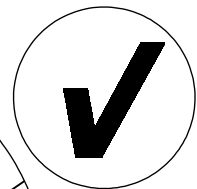
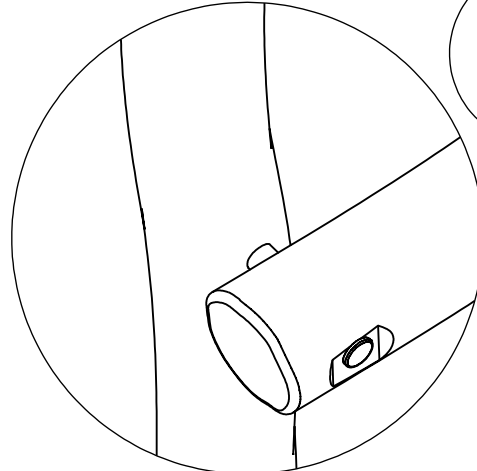
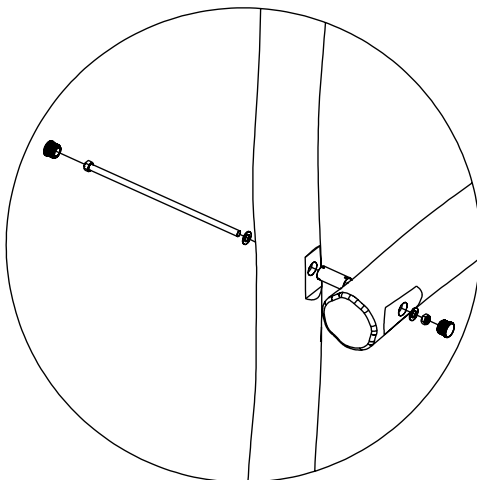
4.



5.

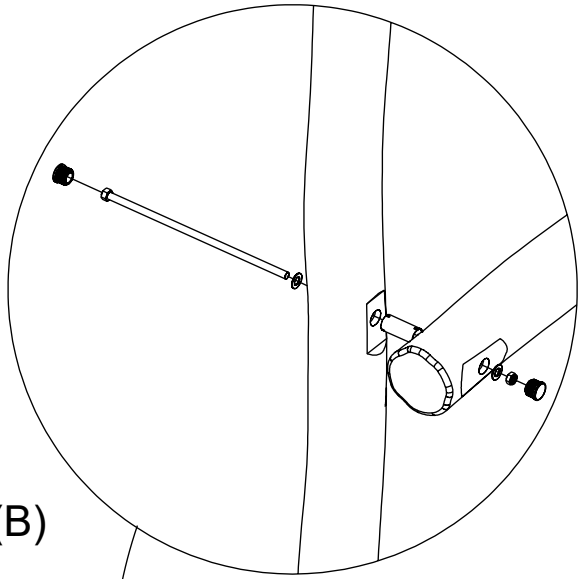


6.



[cm]

vinci play



4x 12e022

1271203 (B)

1271206

1271205

1271205

1271206

1271204 (A)

1271204 (A)

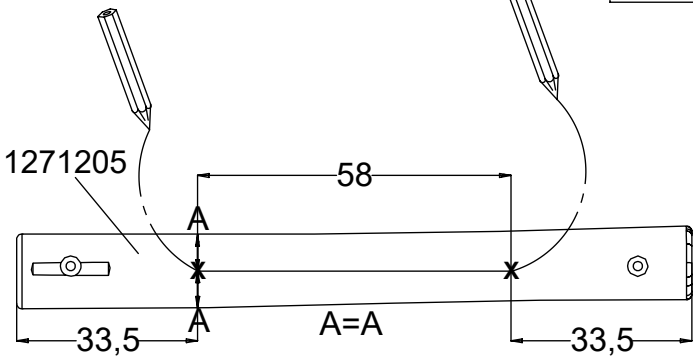
1271203 (B)

[cm]

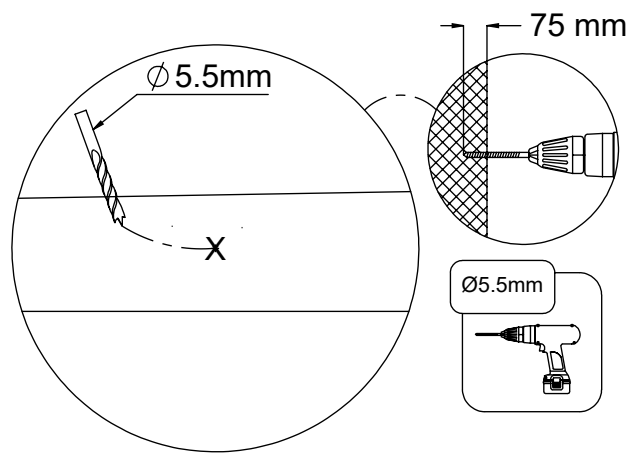
vinci  
play

1.

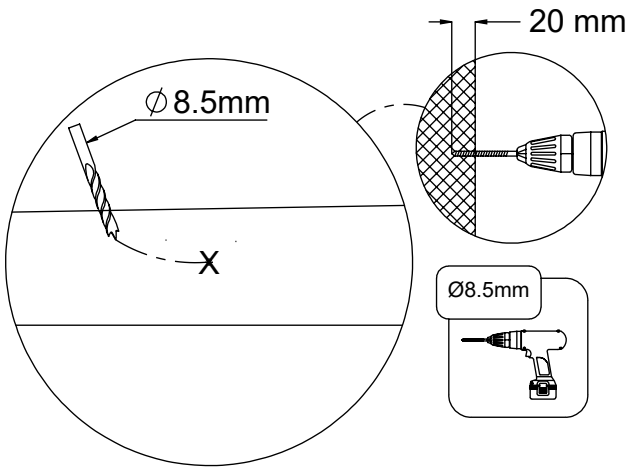
x2



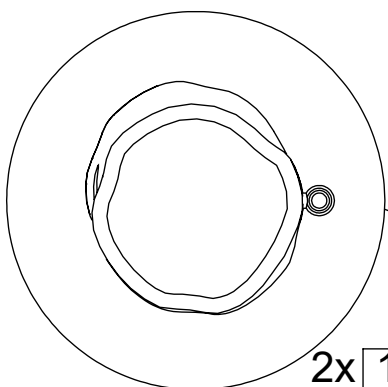
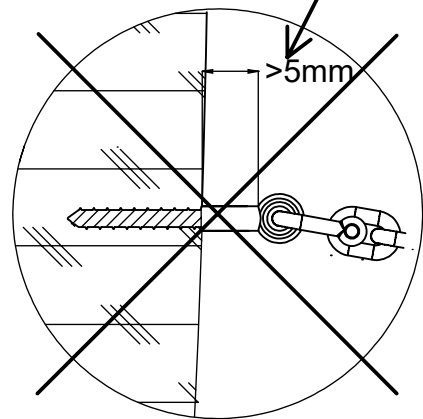
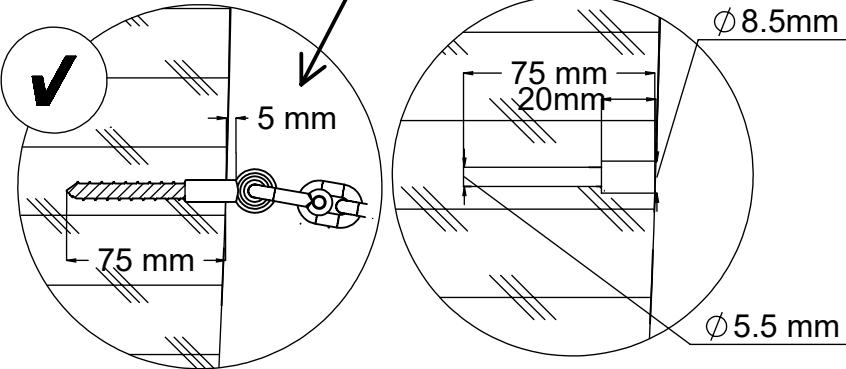
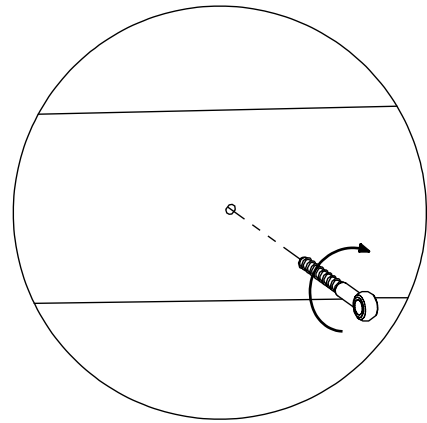
2.



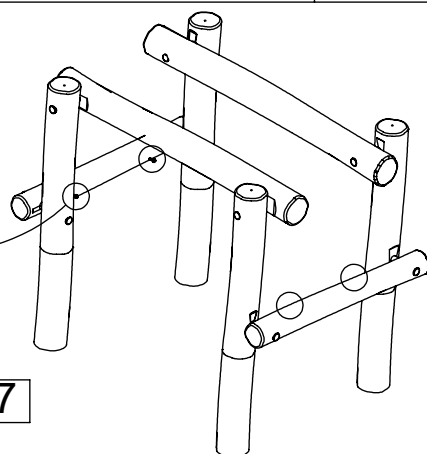
3.



4.



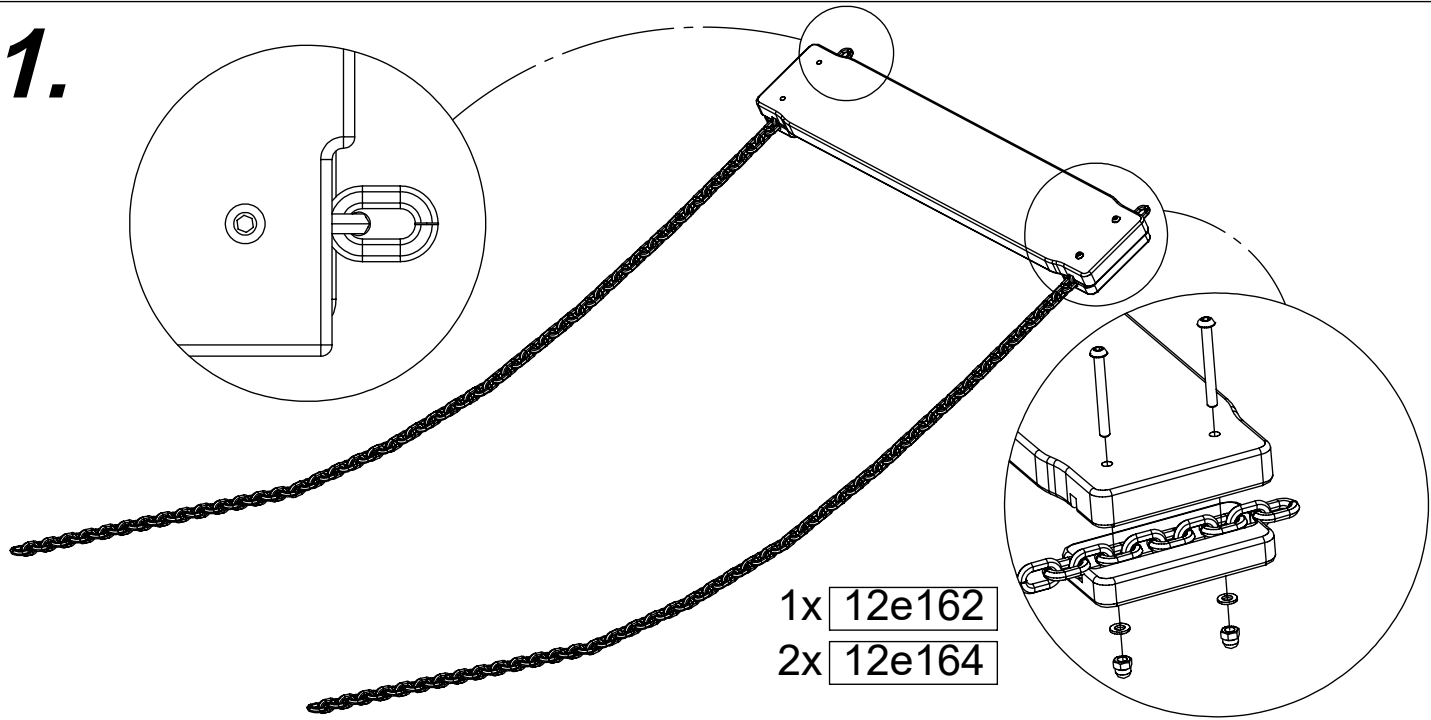
2x 12e007



[cm]

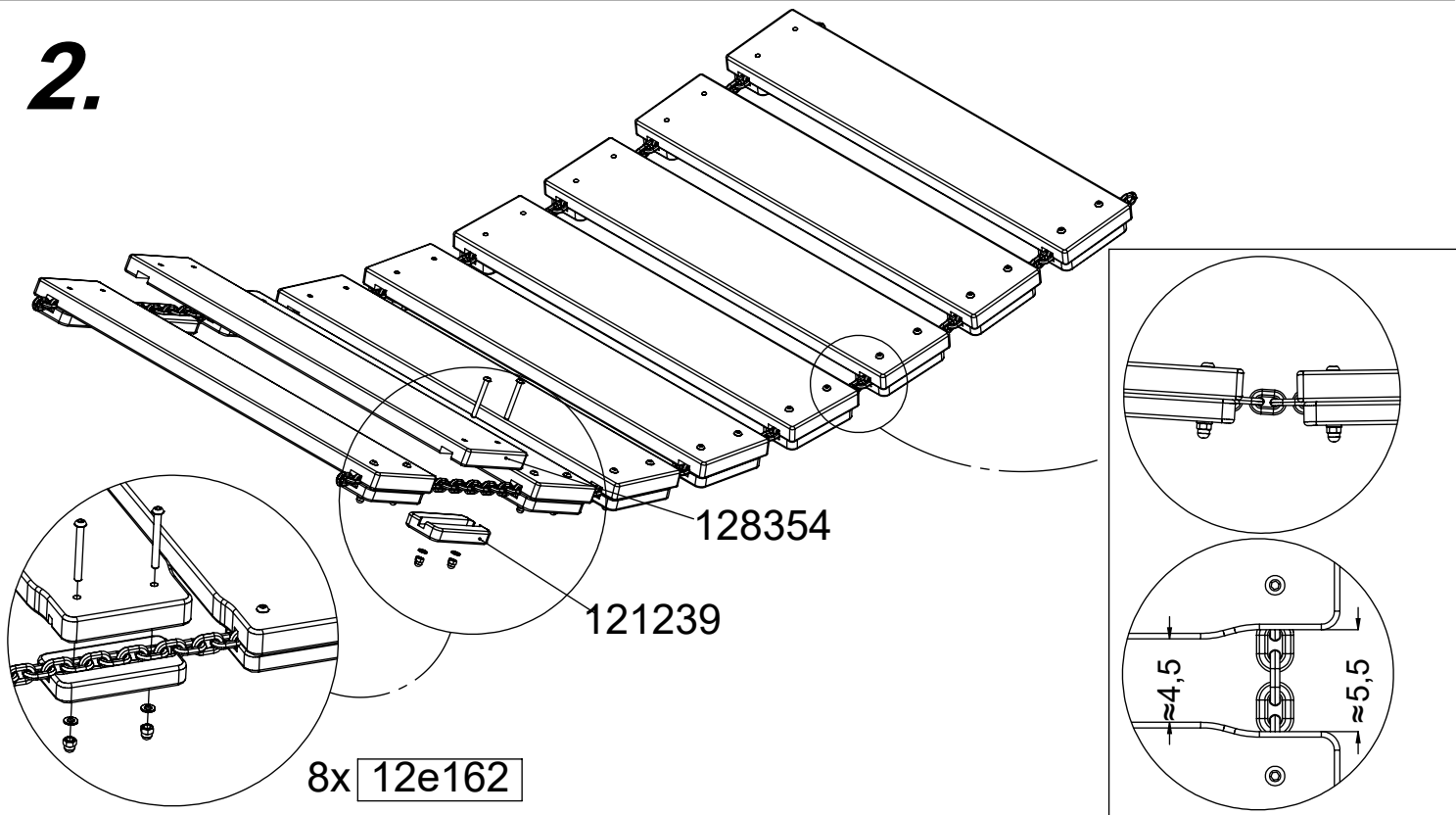
vinci play

1.



1x 12e162  
2x 12e164

2.

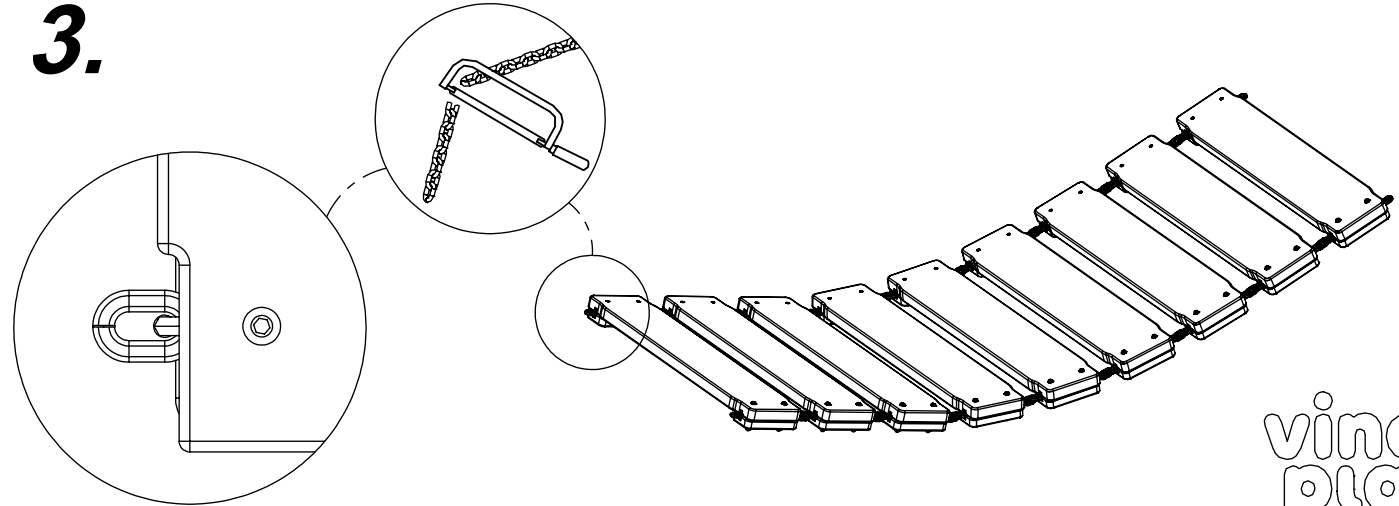


128354

121239

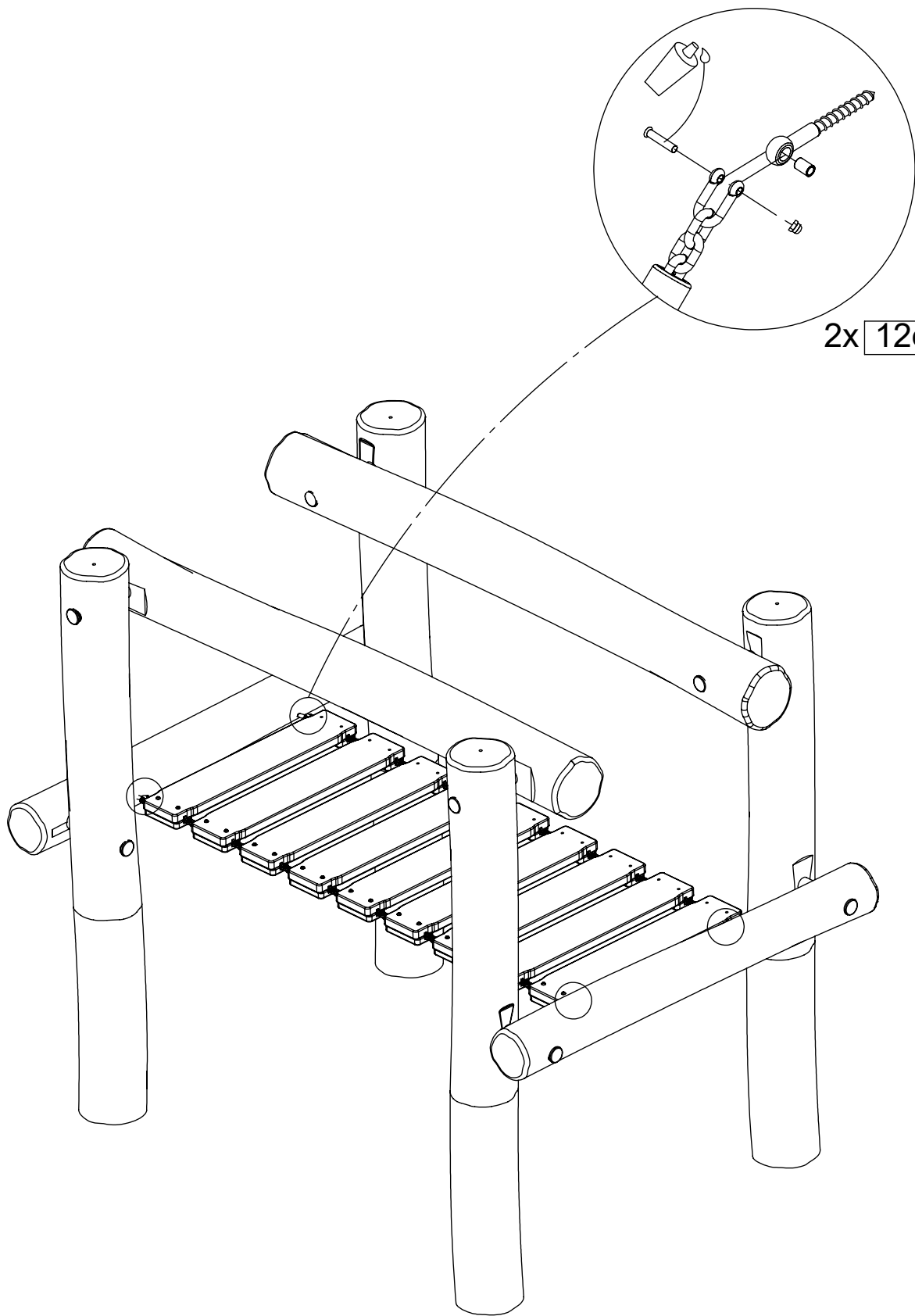
8x 12e162

3.



[cm]

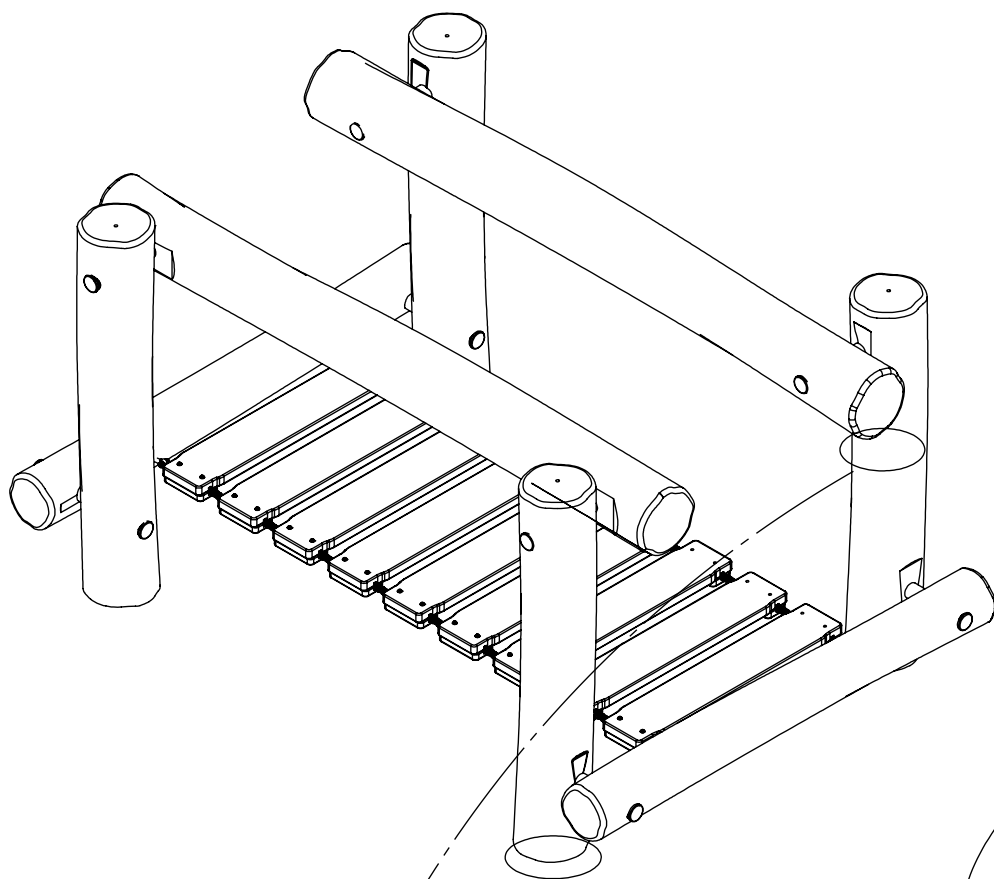
vinci  
play



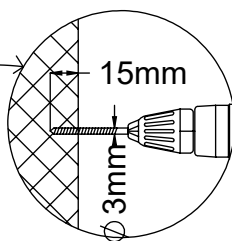
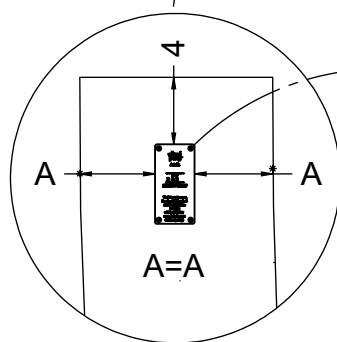
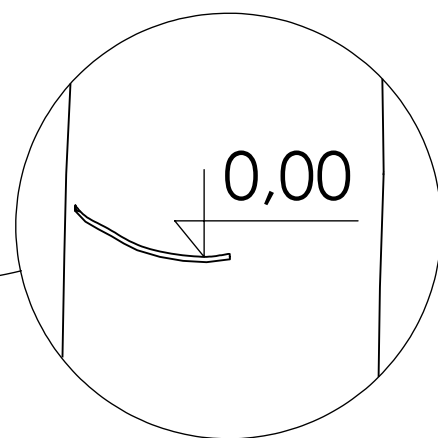
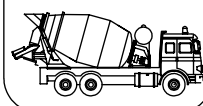
2x 12e007

[cm]

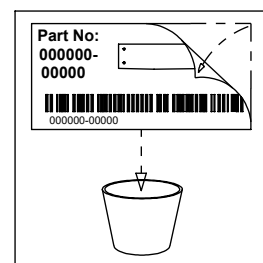
vinci  
play



48h



V001



[cm]

vinci play