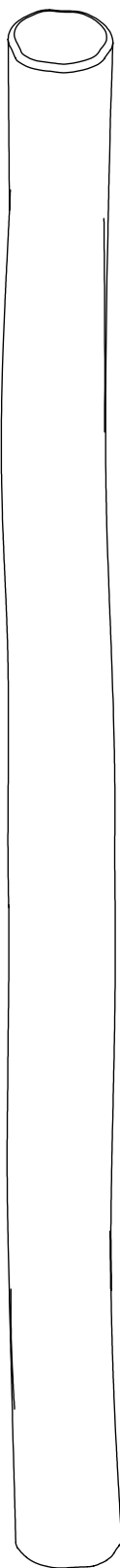


RB0953



v010
03.03.2025
T.W.
[cm]



0,5h



48h



K21

x1

>0.06m³

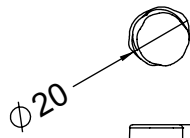
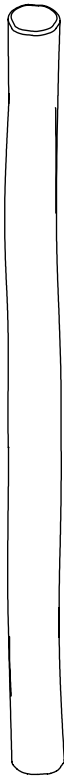


Ø3



2

vinci
play



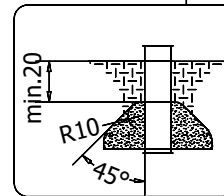
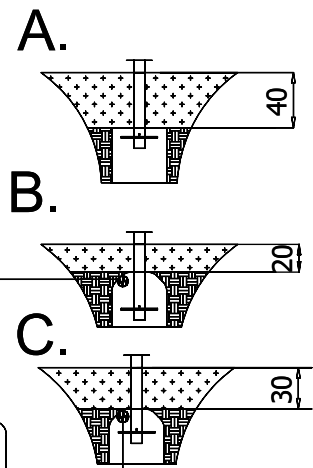
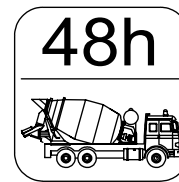
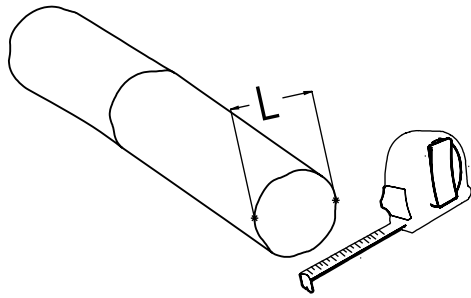
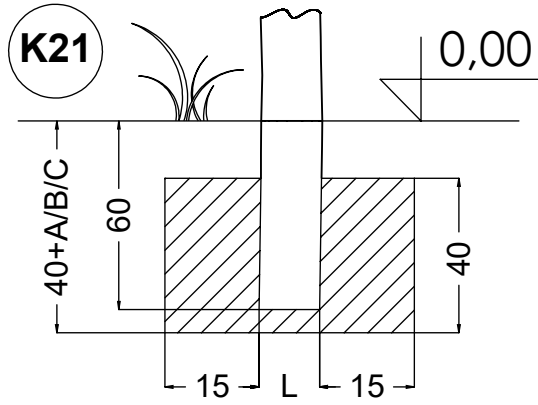
300

0,00

[cm]



vinci
play



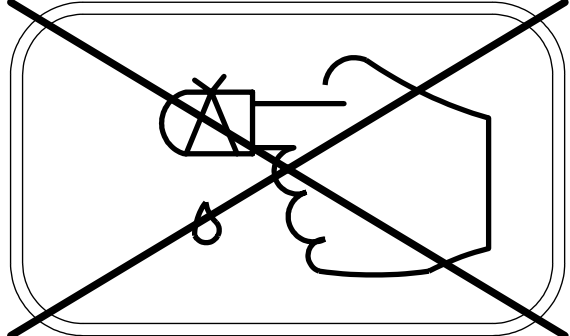
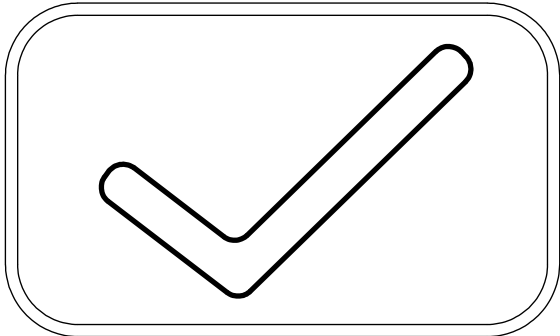
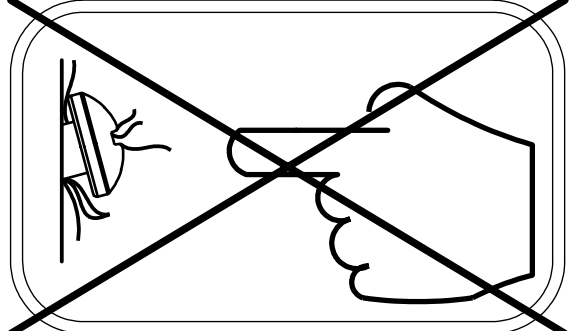
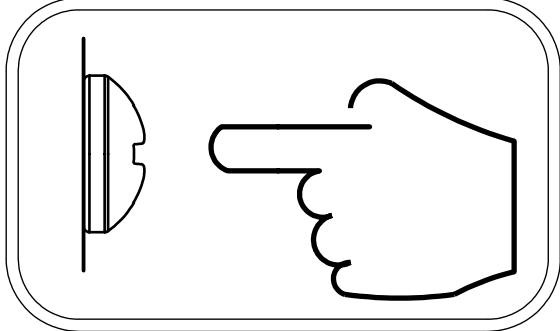
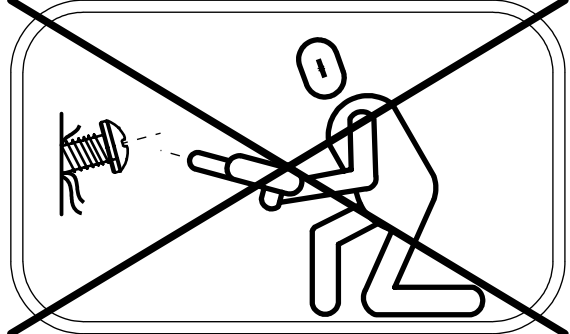
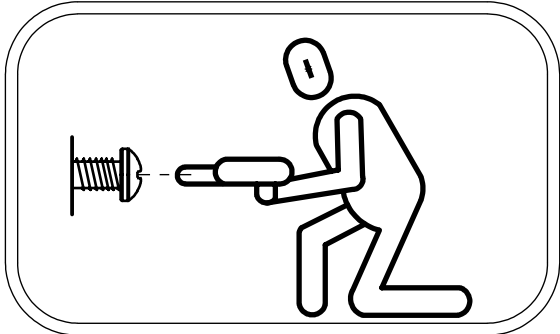
1x	V001
----	------

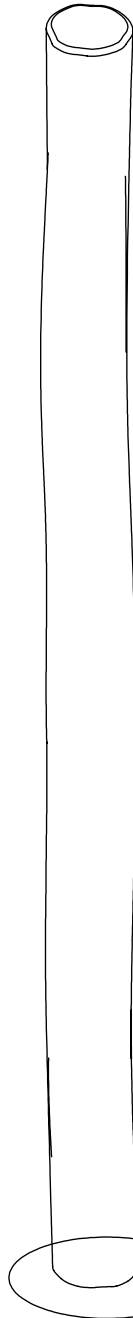
127131
x1

[cm]

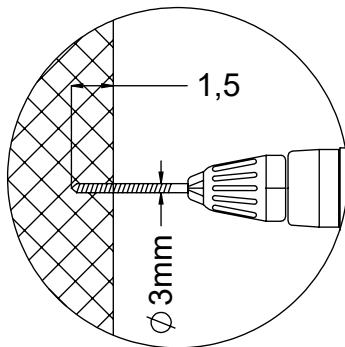
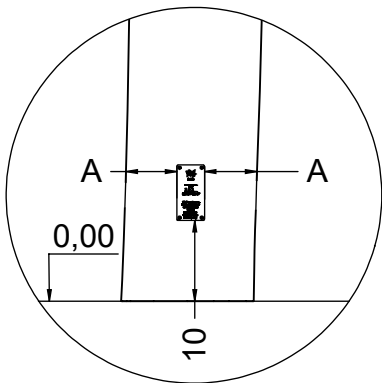
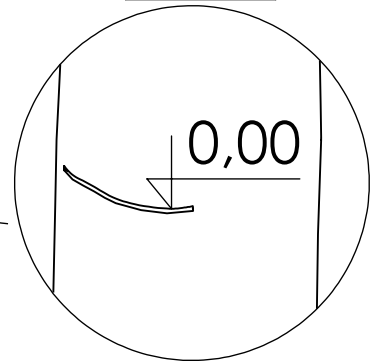


vinci
play

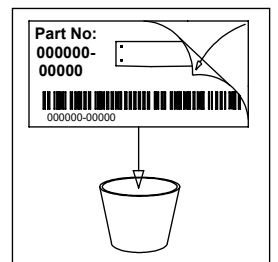




K21



V001



**vinci
play**

[cm]