

Little City Plus - Seoul (Plastic Slide)

LCT/SEO



Play Value



- 0.9m Tower
- 0.9m Ladder
- 0.9m Rubber Belt Climber
- 0.9m Plastic Slide
- Dynamic Play Panel Narrow

Stainless steel playground tower for younger children! The challenging climber and ladders will put their skills to the test before they experience the thrills of sliding to get back to the bottom.

Materials & Guarantees

Steel Ground Fixings - 20 Years
Structural Stainless Steel - 25 Years
Galvanised Steel Frames - 15 Years
Compact Grade Laminate - 10 Years
Plastic Slides - 5 Years
Ropes & Nets - 2 Years
Chain - 3 Years
Bolts - 10 Years
Plastic Components - 5 Years
Moulded Net Anchors - 2 Years

Colour Options

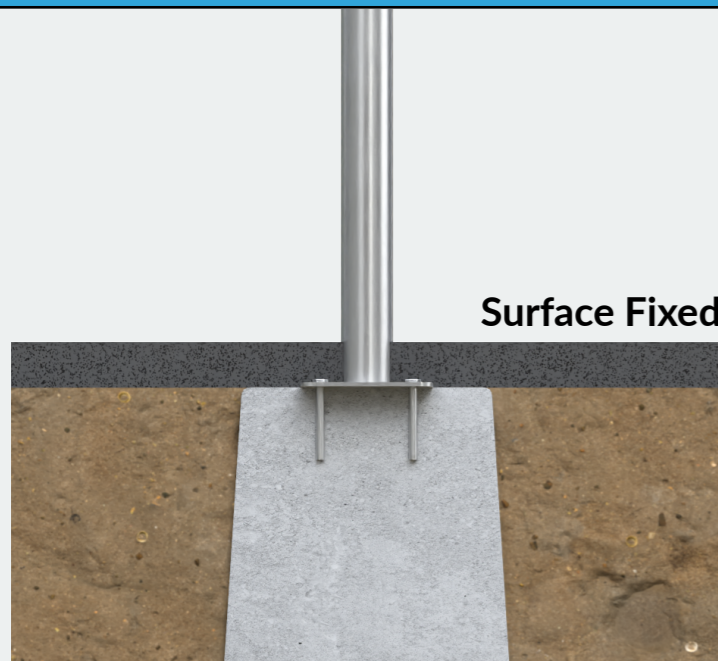


Option A - Mineral Blue & Orange

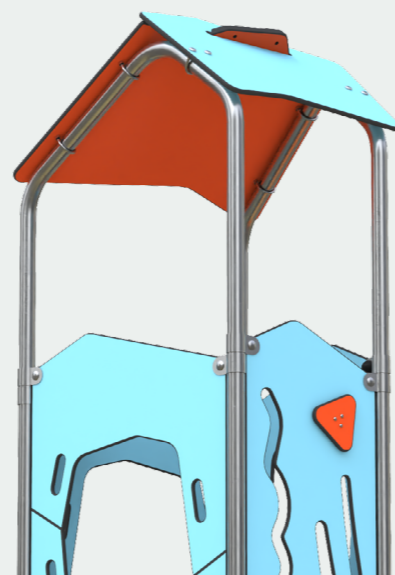
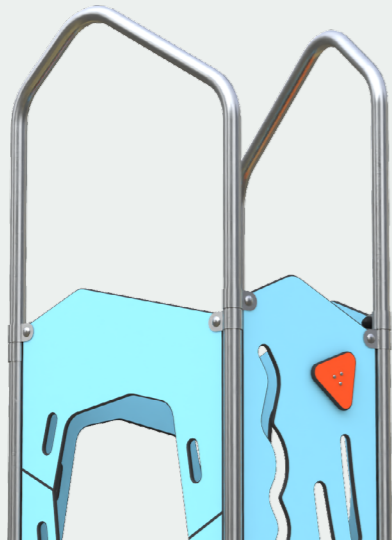
Option B - Purple & Lime Green

Option C - Turf Green and Spring Green

Fixing Options



Roof Options



Equipment Dimensions

Length / Width / Height	1.7m x 2.6m x 2.4m
-------------------------	--------------------

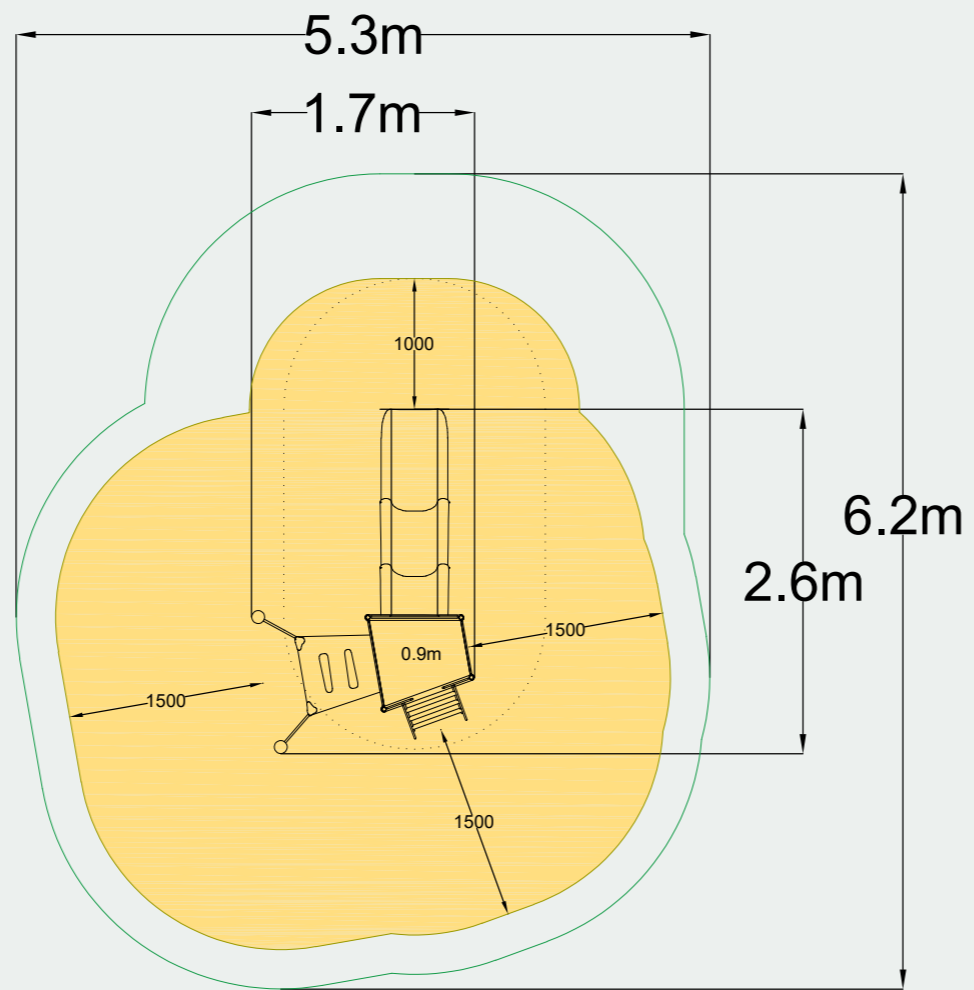
Surfacing and Area Required

Recommended Minimum Space	5.3m x 6.2m x 3.6m
Max Gradient of Ground	1 in 50
Free Height of Fall	0.9m
Synthetic Surfacing Area	17m ²
Loosefill @ 250mm Depth	7m ³
Grasslok (1m x 1m Tiles)	26.5m ²

Installation Information

Installation Time	2 Persons 7 Hours
Overall Weight	126kg
Heaviest Part	21kg
Largest Part	1.9m x 0.6m x 0.3m
Longest Part	1.9m
Concrete Required	0.4m ³

Plan View



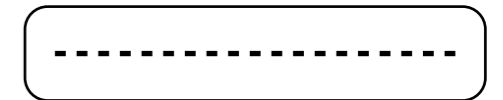
EN1176
Impact Area



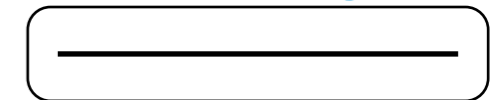
Recommended
Minimum Space



Free
Space



Synthetic
Surfacing



Side Elevation

