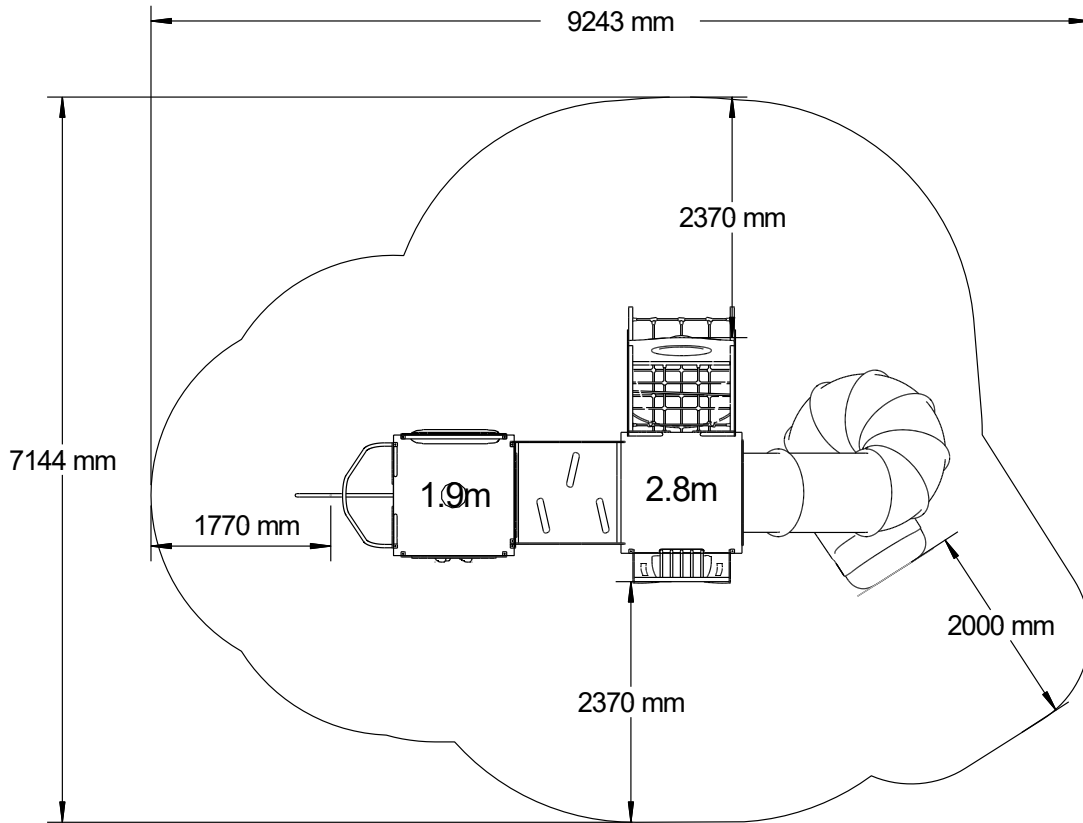


Number	Module Name	Code
1	<u>2.8m Module (Plastic) or 2.8m Module (Stainless)</u>	BC#V11 or BC#V21
2	<u>1.9m Square Tower</u>	BC#A12
3	<u>1.9m Climbing Wall</u>	BC#G3
4	<u>1.9m Side Ladder</u>	BC#W3
5	<u>1.9m Electronic Reaction Play Panel</u>	BC#H22
6	<u>Puzzle Ball Play Panel (Below)</u>	BC#P26
7	<u>Ball Blast Play Panel (Above)</u>	BC#P13

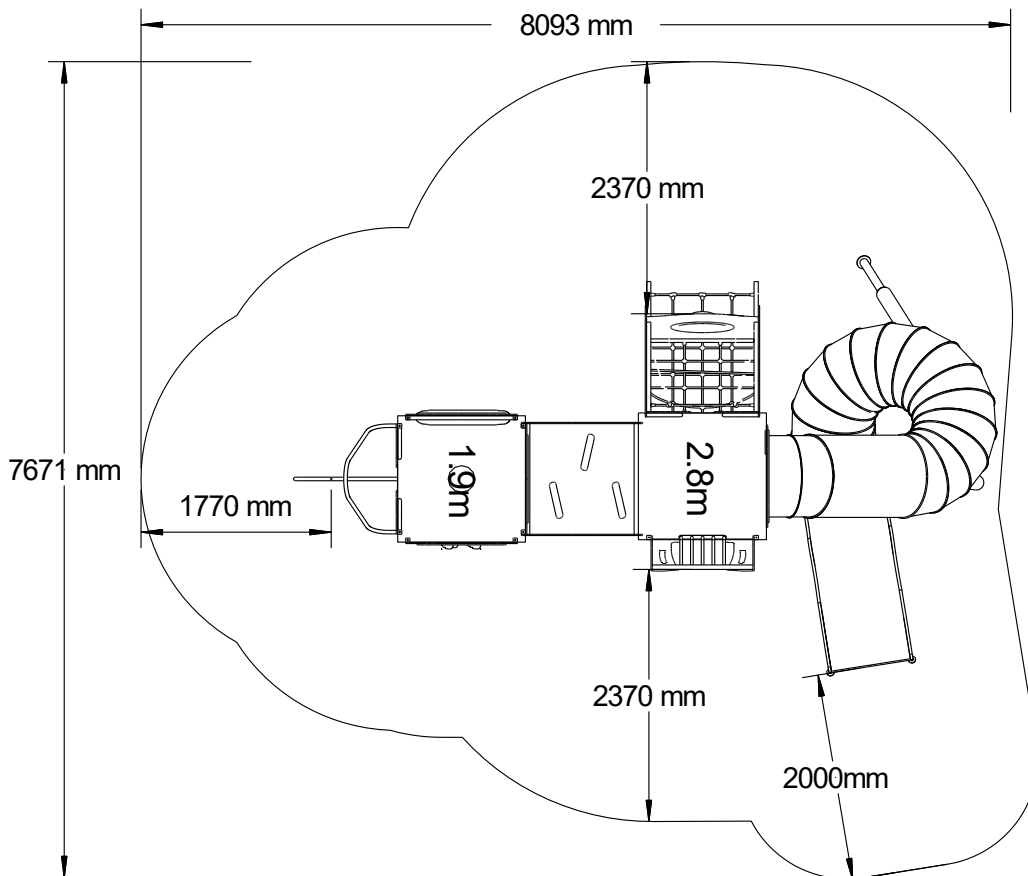


Unit Specification		
	6.5m x 2.9m x 4.2m	
	2.8m	
	878kg	
	186kg	
	3.5m x 2.2m x 2.2m	
	3.5m	
	1 in 50	
	9.6m x 7.4m x 5.4m	
	4	
	19.5 hours	
	0.4m <sup>3</sup>	
	0.6m <sup>3</sup> (Surface Fixed)	

**BS EN 1176 Impact Area - Plastic Tube Slide**



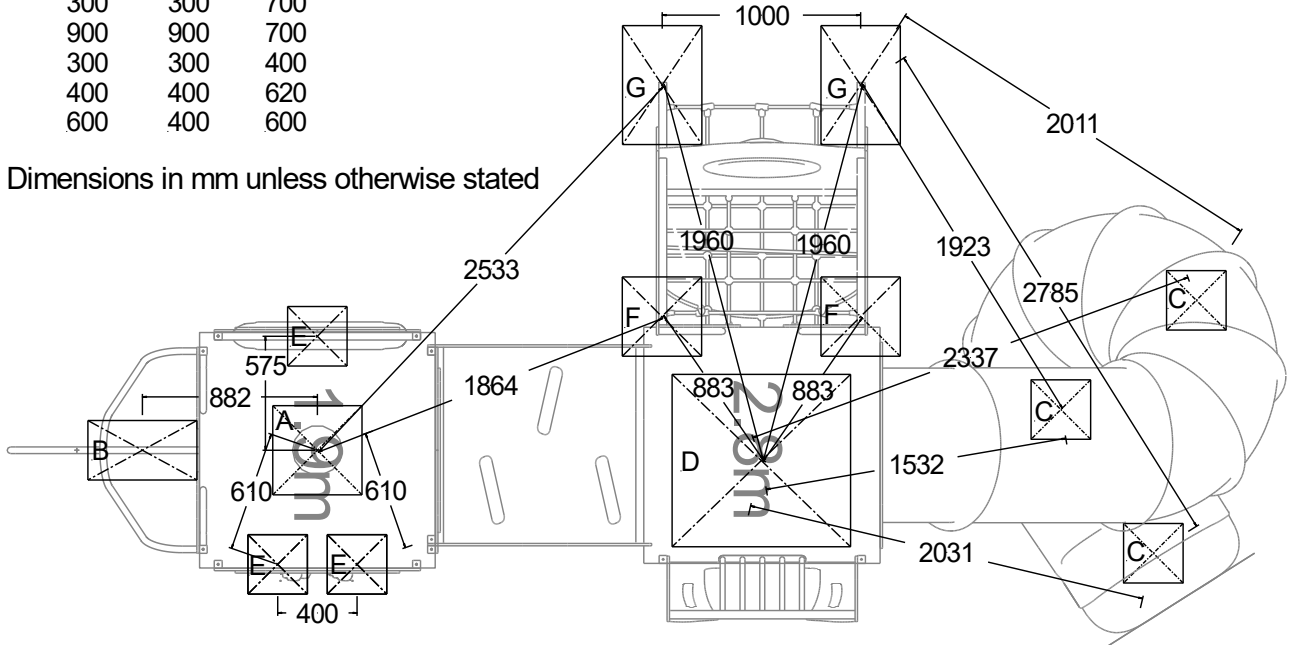
**BS EN 1176 Impact Area - Stainless Steel Tube Slide**



**Standard Foundation Plan—Plastic Slide Digging Plan**

Hole	L(mm)	W(mm)	D(mm)
A	450	450	700
B	550	300	325
C	300	300	700
D	900	900	700
E	300	300	400
F	400	400	620
G	600	400	600

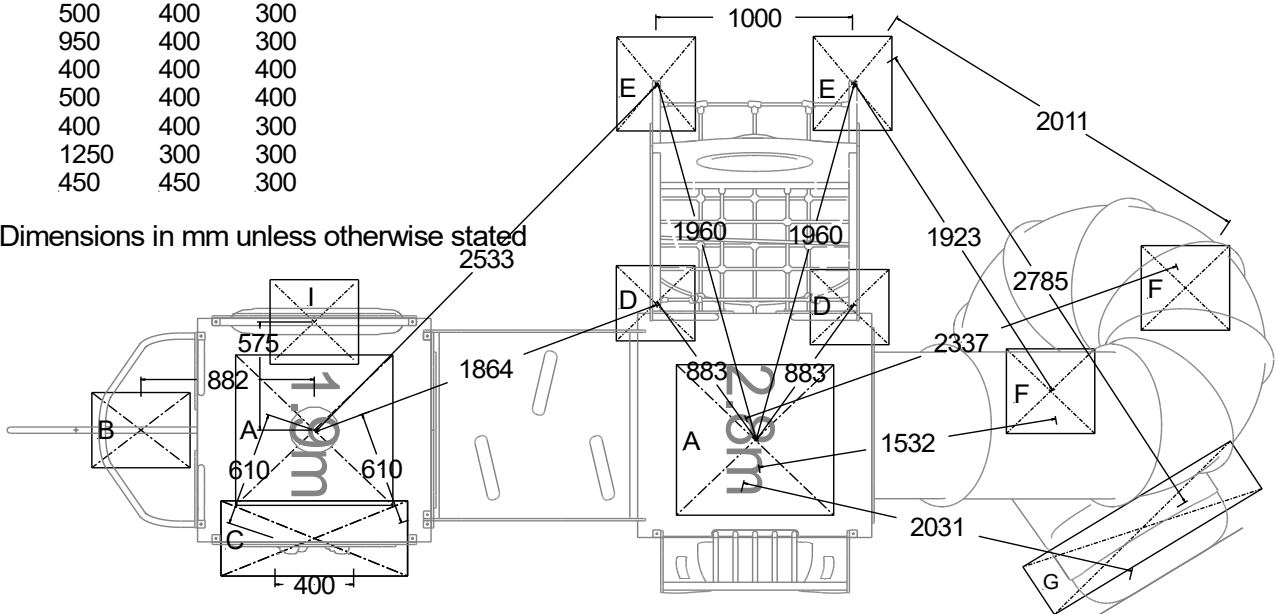
All Dimensions in mm unless otherwise stated



**Surface Fixed Foundation Plan—Plastic Slide Digging Plan**

Hole	L(mm)	W(mm)	D(mm)
A	800	800	400
B	500	400	300
C	950	400	300
D	400	400	400
E	500	400	400
F	400	400	300
G	1250	300	300
I	450	450	300

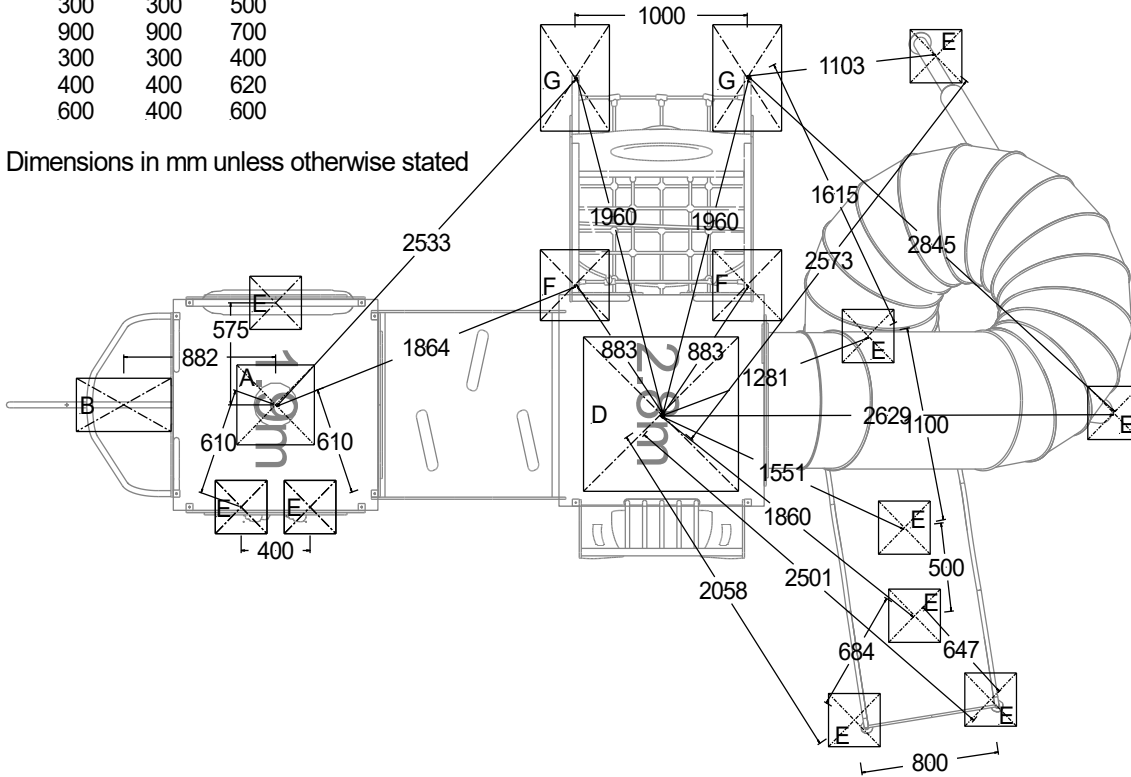
All Dimensions in mm unless otherwise stated



**Standard Foundation Plan—Stainless Steel Slide Digging Plan**

Hole	L(mm)	W(mm)	D(mm)
A	450	450	700
B	550	300	325
C	300	300	500
D	900	900	700
E	300	300	400
F	400	400	620
G	600	400	600

All Dimensions in mm unless otherwise stated



**Surface Fixed Foundation Plan—Stainless Steel Slide Digging Plan**

Hole	L(mm)	W(mm)	D(mm)
A	800	800	400
B	500	400	300
C	950	400	300
D	400	400	400
E	500	400	400
F	500	500	300
G	1200	300	300
H	350	350	300
I	450	450	300

All Dimensions in mm unless otherwise stated

