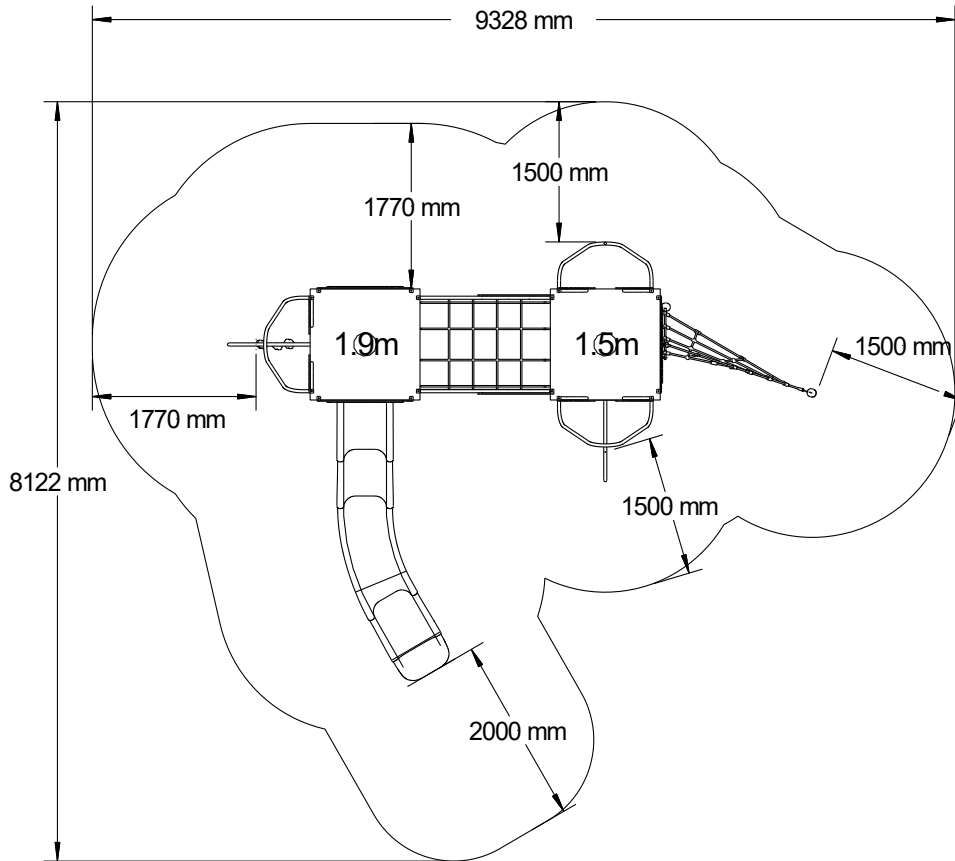


Number	Module Name	Code
1	<u>1.9m Square Tower</u>	BC#A13
2	<u>1.9m Plastic Open Slide or SS Open Slide</u>	BC#B23 or BC#B13
3	<u>1.9m Side Climber</u>	BC#X3
4	<u>Spin Ball Play Panel</u>	BC#P14
5	<u>Inclined Net Bridge</u>	BC#F
6	<u>1.5m Square Tower</u>	BC#A12
7	<u>1.5m Firemans Pole</u>	BC#C2
8	<u>1.5m Twisted Climbing Net</u>	BC#I2
9	<u>1.5m Side Ladder</u>	BC#W2

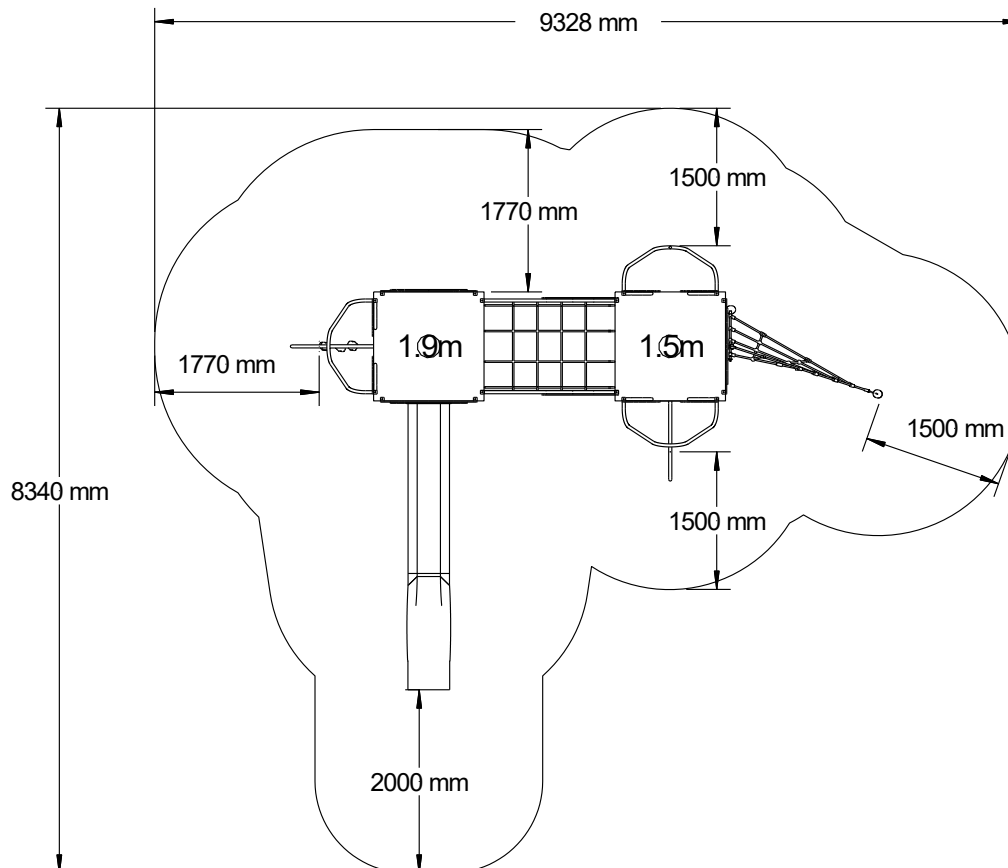


Unit Specification		
	6.4m x 4.8m x 3.5m	
	1.9m	
	578kg	
	33kg	
	2.4m x 0.9m x 0.6m	
	2.4m	
	1 in 50	
	9.8m x 8.6m x 4.7m	
	2	
	16 hours	
	0.8m ³	
	1.2m ³ (Surface Fixed)	

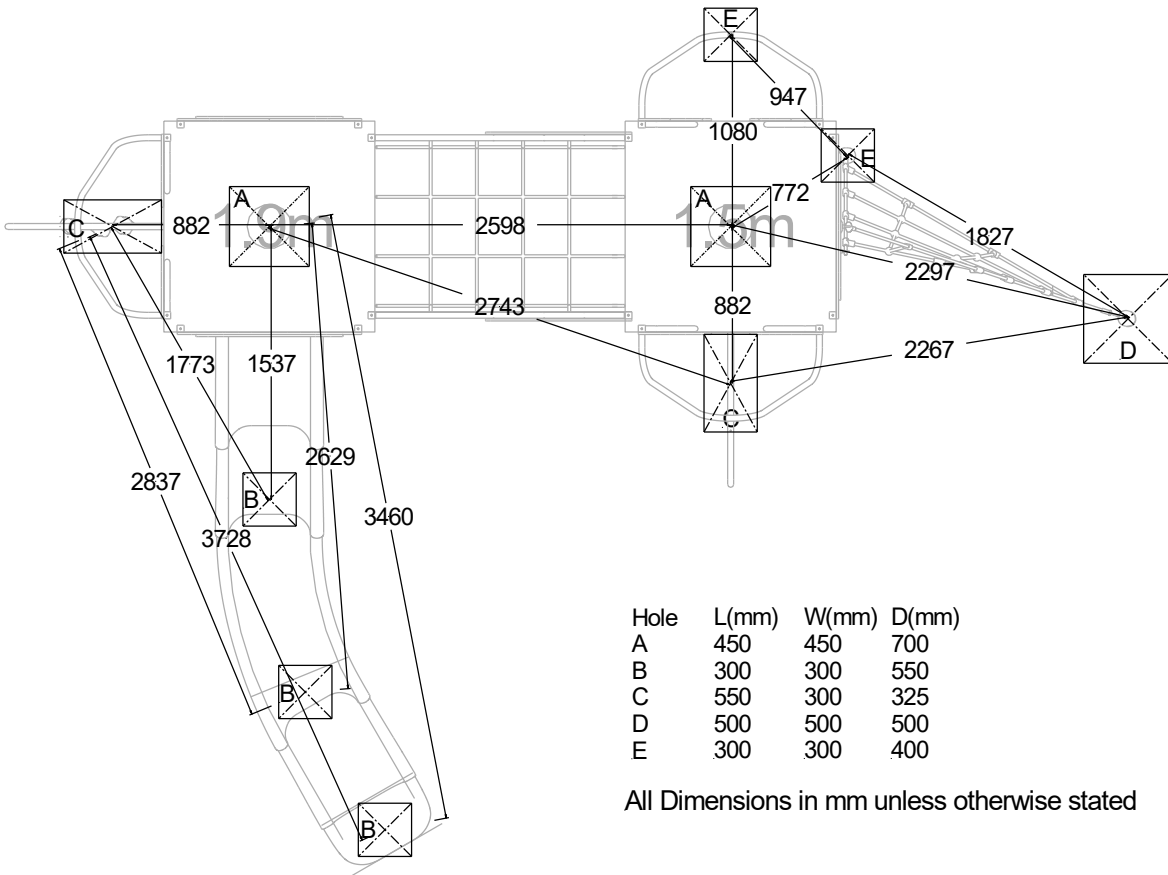
BS EN 1176 Impact Area - Plastic Slide



BS EN 1176 Impact Area - Stainless Steel Slide



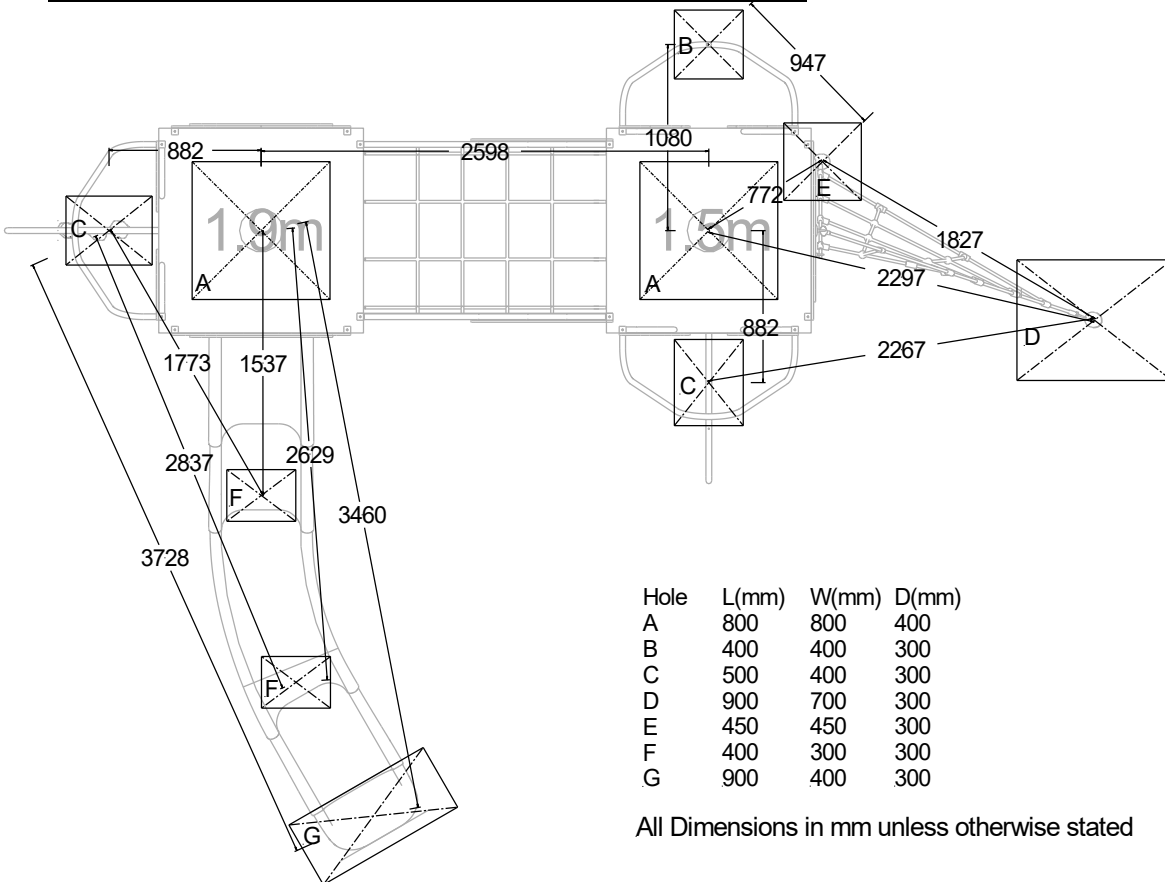
Standard Foundation Plan—Plastic Slide Digging Plan



Hole	L(mm)	W(mm)	D(mm)
A	450	450	700
B	300	300	550
C	550	300	325
D	500	500	500
E	300	300	400

All Dimensions in mm unless otherwise stated

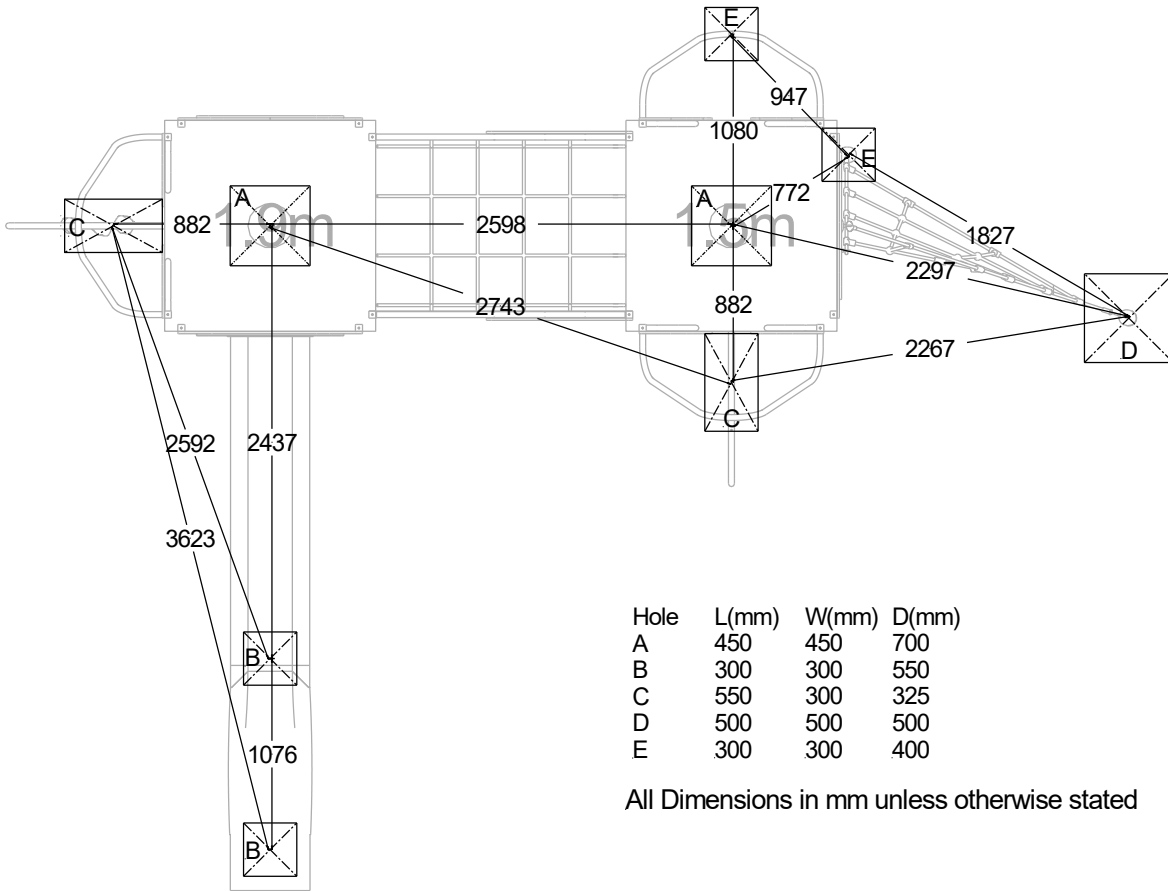
Surface Fixed Foundation Plan—Plastic Slide Digging Plan



Hole	L(mm)	W(mm)	D(mm)
A	800	800	400
B	400	400	300
C	500	400	300
D	900	700	300
E	450	450	300
F	400	300	300
G	900	400	300

All Dimensions in mm unless otherwise stated

Standard Foundation Plan—Stainless Steel Slide Digging Plan



Surface Fixed Foundation Plan—Stainless Steel Slide Digging Plan

