

Woodland Eco Towers - Greenwood Lite (Plastic Tube Slide)

QWDGRE003



Play Value



Materials & Guarantees

Timber Poles (Out of Ground) - 20 Years
Steel Ground Fixings - 20 Years
Structural Stainless Steel - 25 Years
Sawn Timber - 15 Years
Colour Coated Steelwork - 5 Years
Compact Grade Laminate - 10 Years
Plastic Slides - 5 Years
Bolts - 10 Years
Plastic Components - 5 Years

- 2 No. 1.5m Tower
- 2 No. Timber Barrier
- 1.5m Plastic Tube Slide
- 1.5m Fireman's Pole
- 1.5m Tilted Climber
- 1.5m Vertical Climber
- Net Traverse Bridge

Encourage agility and climbing prowess in kids with the more budget fitting version of our original Greenwood. The adventure continues as they joyfully slide down the thrilling Fireman's Pole or traverse from tower to tower.

WOODLAND ECO TOWERS

Playdale™
Playgrounds

Fixing Options



Roof Options



Equipment Dimensions

Length / Width / Height	6.7m x 4.4m x 3.3m
-------------------------	--------------------

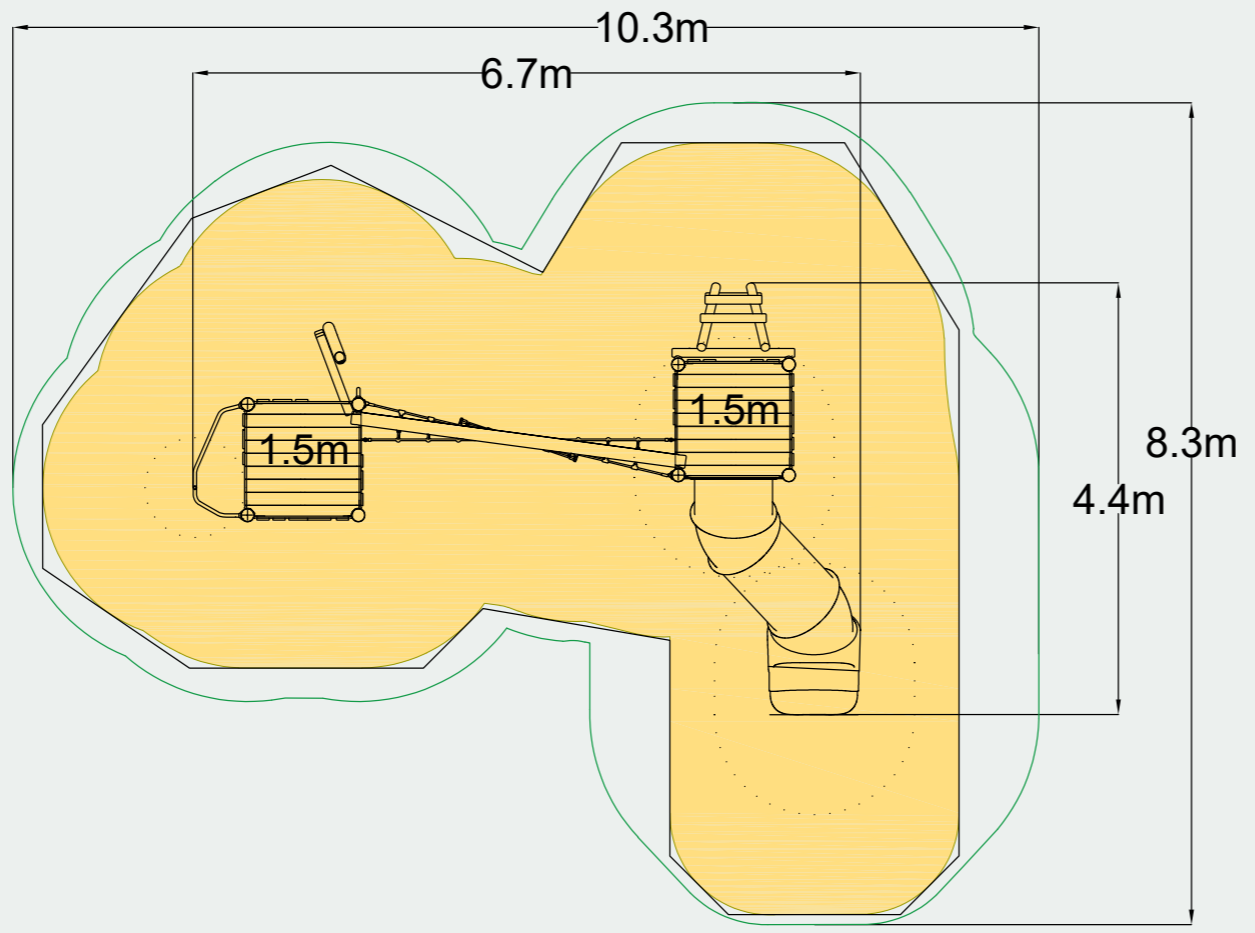
Surfacing and Area Required

Recommended Minimum Space	10.3m x 8.3m x 4.5m
Max Gradient of Ground	1 in 50
Free Height of Fall	1.5m
Synthetic Surfacing Area	47m ²
Loosefill @ 250mm Depth	15.5m ³
Grasslok (1m x 1m Tiles)	64.5m ²

Installation Information

Installation Time	2 Persons 20 Hours
Overall Weight	561Kg
Heaviest Part	59Kg
Largest Part	3.5m x 1.2m x 1m
Longest Part	3.5m
Concrete Required	0.8m ³

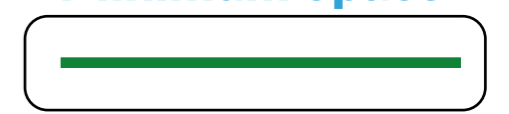
Plan View



EN1176
Impact Area



Recommended
Minimum Space



Free
Space



Synthetic
Surfacing



Side Elevation

