

# STEEL+ 1744



1 - 8 years



17 kids



31,0 m<sup>2</sup>



## Material specification

- Powder galvanized and powder coated or stainless steel construction of 80 x 80 mm profile,
- Platforms, climbing walls and steps made of durable anti-slip and waterproof plywood or HPL plate,
- Structure for platforms made of hot-dip galvanized and powder coated steel;
- Roofs and side panels made of durable HDPE plate, resistant to weather conditions,
- Slides made of stainless steel with durable HDPE side panels,
- Educational panels and moving elements made of HDPE plate, resistant to weather conditions,
- Maze windows made of polycarbonate, balls made of synthetic material,
- Sand play tube with a diameter of 13 cm, made of stainless steel,
- A mill wheel for playing with sand, made of certified rubber, mounted on movable elements based on a bearing system, attached to a cover made of HDPE board,
- Bucket made of safe, certified rubber with textile reinforcement,
- Elements made of safe, certified rubber with textile reinforcement,
- Steel ropes in polypropylene braid, connected with durable plastic elements, stainless steel or aluminum,
- Calibrated stainless steel chains, preventing fingers entrapment,
- Stainless steel bars and handrails,
- Stainless steel screws and/or screws covered with plastic caps,
- Safe end caps on top of the structure made of rubber or polypropylene,



### Facilitating disability



easy access



handrails



integration



### Intellectual development



manipulation



sensorics



thinking



### Physical development



balance



sliding



passage



climbing





**2**  
number of towers



**1**  
number of slides



**1**  
number of roofs



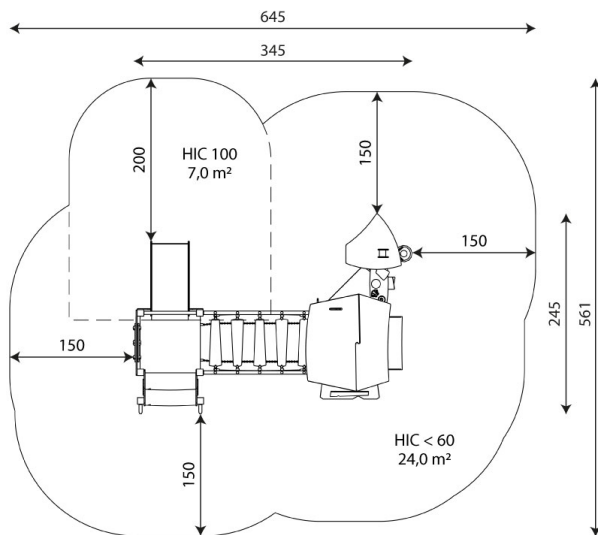
**3**  
number of interactive elements



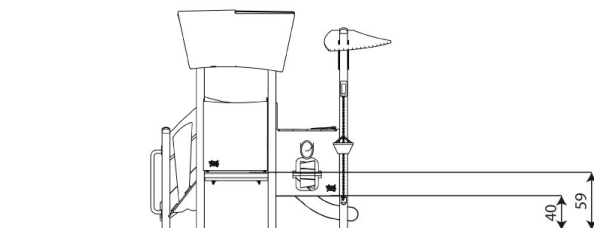
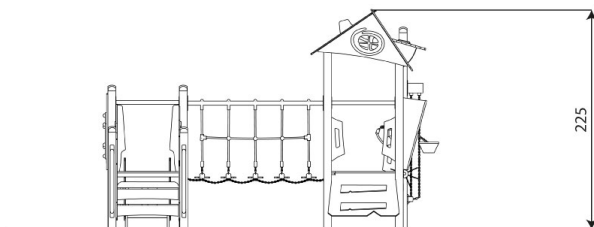
**1**  
number of activity elements



stairs



31,0 m²



**Product technical sheet**

**STEEL+ 1744**

**Product data**

Length	345 cm
Width	245 cm
Total height	225 cm
Age group	1 - 8 years
Number of users	17 kids
Safety zone	31,0 m2
Free fall height	<60 cm
The height of the platforms	40, 59 cm
slide platform height	59 cm
In accordance with norm EN	1176-1:2017+A1:2023
Availability of spare parts	YES

Color options

Data is subject to change without prior notice.

**Additional information**

- equipment adapted for the disabled; intended for public playgrounds;
- equipment has a certificate issued by an accredited entity or a declaration of conformity;
- no sharp edges or chinks that would pose a danger of jamming the head, fingers or any other body parts;
- anchoring on flat surface, 80/70/60 cm deep;
- slide should not be installed southwards;
- render is for reference only, the actual appearance of the equipment and its color may vary;

**Guarantee**

**30**

30 year guarantee - Durability of steel and stainless steel structural elements

**15**

15 year guarantee - Durability of steel and stainless steel structures of mobile devices; durability of Robinia wood structural elements

**10**

10 year guarantee - Structural strength of HDPE, 100% recycled HDPE and HPL elements; structural elements made of 100% recycled material (composite)

**5**

5 year guarantee - Corrosion resistance of stainless steel and hot-dip galvanized and powder-coated steel elements, resistance to bark beetles and rotting of wooden structural elements

Detailed information in the guarantee card

**Vinci Sp. z o.o.**  
Seminaryjna 9 Street  
99-400 Łowicz

VAT: 534-265-18-84  
PHONE: +48 42 203 24 99 ext. 26  
M: +48 793 404 991



biuro@vinci-play.com  
info@vinci-play.com  
[www.vinci-play.com](http://www.vinci-play.com)

## Surfaces according to EN 1176-1:2017+A1:2023

	Description (mm)	Layer thickness (cm)	Maximum fall heights (cm)
Turf/ top layer of soil (A,B,C)	-	-	≤100
bark (A,C)	Particle size from 20 to 80	30	≤200
		40	≤300
woodchips (A,C)	Particle size from 5 to 30	30	≤200
		40	≤300
sand or gravel (A,C)	Particle size from 0,25 to 8	30	≤200
		40	≤300
synthetic attested (A,B,C)	Tested according to EN 1177		100

## Product technical sheet

# STEEL+ 1744

### Amount of safe surface corresponding with free fall height:

HIC <60 24,0 m<sup>2</sup>

Data is subject to change without prior notice.

