



Product technical sheet

NATURO NT3637



3 - 14 years



29 kids



44,0 m²



Material specification

- Construction made of the highest quality laminated, impregnated and double coated pine wood 90 x 90 mm without knots, secured from the top with polypropylene plugs,
- Metal anchors made of hot dip galvanized steel, protecting the wood from direct contact with the ground to prevent rot and to extend the product's life,
- Structural elements made of top-quality glued, impregnated, and double-painted knot-free pinewood, weather-resistant;
- Platforms and steps made of durable anti-slip and waterproof HPL plate,
- Structure for platforms made of hot-dip galvanized and powder coated steel;
- Roofs and covers made of top-quality laminated, impregnated, and double-painted knot-free pine wood, resistant to weather conditions;
- Transparent polycarbonate panels resistant to weather conditions,
- Slides made of stainless steel with durable HPL side panels,
- Educational panels made of printed, weather-resistant polycarbonate;
- Moving elements made of durable HPL plate, resistant to weather conditions,
- Maze windows made of polycarbonate, balls made of synthetic material,
- Maze made of durable HDPE plate, resistant to weather conditions, and transparent polycarbonate, balls made of synthetic material
- Mirrors made of plexi plate, in safe cover made of durable HDPE plate, resistant to weather conditions,
- "Telephone" - construction - stainless steel pipe, flowers made of polycarbonate plates; plastic underground installation,
- Moving elements of Tic Tac Toe made of durable HDPE formed by extrusion blow molding,
- Steel ropes in polypropylene braid, connected with durable plastic elements, stainless steel or aluminum,
- Calibrated stainless steel chains, preventing fingers entrapment,
- Stainless steel bars,
- Screws covered with plastic caps and/or stainless steel screws,
- Safe end caps on top of the structure made of rubber or polypropylene,



Facilitating disability



easy access



shelters



integration



Intellectual development



manipulation



music



sight



thinking



Physical development



sliding



roofs





2
number of towers



2
number of slides



2
number of roofs



stairs

Product technical sheet

NATURO NT3637

Product data

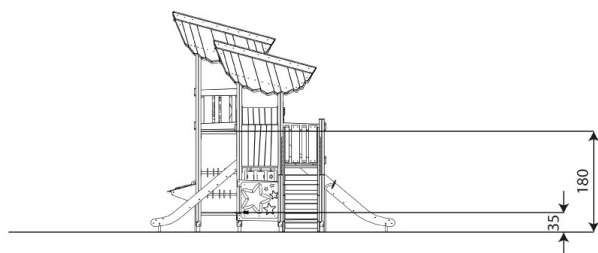
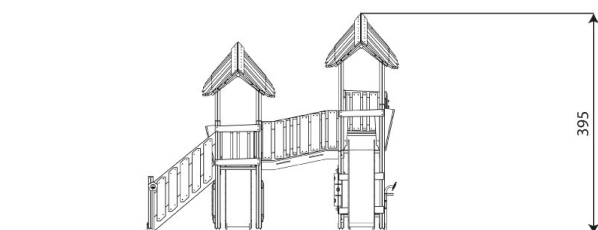
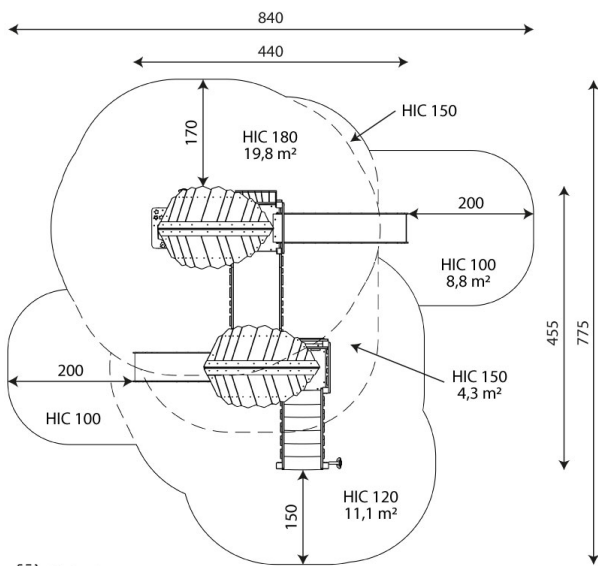
Length	440 cm
Width	455 cm
Total height	395 cm
Age group	3 - 14 years
Number of users	29 kids
Safety zone	44,0 m ²
Free fall height	180 cm
The height of the platforms	35, 180 cm
In accordance with norm EN	1176-1:2017+A1:2023
Availability of spare parts	YES

Color options

Data is subject to change without prior notice.

Additional information

- equipment adapted for the disabled; intended for public playgrounds;
- equipment has a certificate issued by an accredited entity or a declaration of conformity;
- no sharp edges or chinks that would pose a danger of jamming the head, fingers or any other body parts;
- anchoring on flat surface, 80/70/60 cm deep;
- slide should not be installed southwards;
- render is for reference only, the actual appearance of the equipment and its color may vary;



Guarantee

30 30 year guarantee - Durability of steel and stainless steel structural elements

15 15 year guarantee - Durability of steel and stainless steel structures of mobile devices; durability of Robinia wood structural elements

10 10 year guarantee - Structural strength of HDPE, 100% recycled HDPE and HPL elements; structural elements made of 100% recycled material (composite)

5 5 year guarantee - Corrosion resistance of stainless steel and hot-dip galvanized and powder-coated steel elements, resistance to bark beetles and rotting of wooden structural elements

Detailed information in the guarantee card

Vinci Sp. z o.o.
Seminaryjna 9 Street
99-400 Łowicz

VAT: 534-265-18-84
PHONE: +48 42 203 24 99 ext. 26
M: +48 793 404 991



biuro@vinci-play.com
info@vinci-play.com
www.vinci-play.com

Surfaces according to EN 1176-1:2017+A1:2023

	Description (mm)	Layer thickness (cm)	Maximum fall heights (cm)
Turf/ top layer of soil (A,B,C)	-	-	≤100
bark (A,C)	Particle size from 20 to 80	30	≤200
		40	≤300
woodchips (A,C)	Particle size from 5 to 30	30	≤200
		40	≤300
sand or gravel (A,C)	Particle size from 0,25 to 8	30	≤200
		40	≤300
synthetic attested (A,B,C)	Tested according to EN 1177		100

Product technical sheet

NATURO NT3637

Amount of safe surface corresponding with free fall height:

HIC 100	8,8 m ²
HIC 120	11,1 m ²
HIC 150	4,3 m ²
HIC 180	19,8 m ²

Data is subject to change without prior notice.

