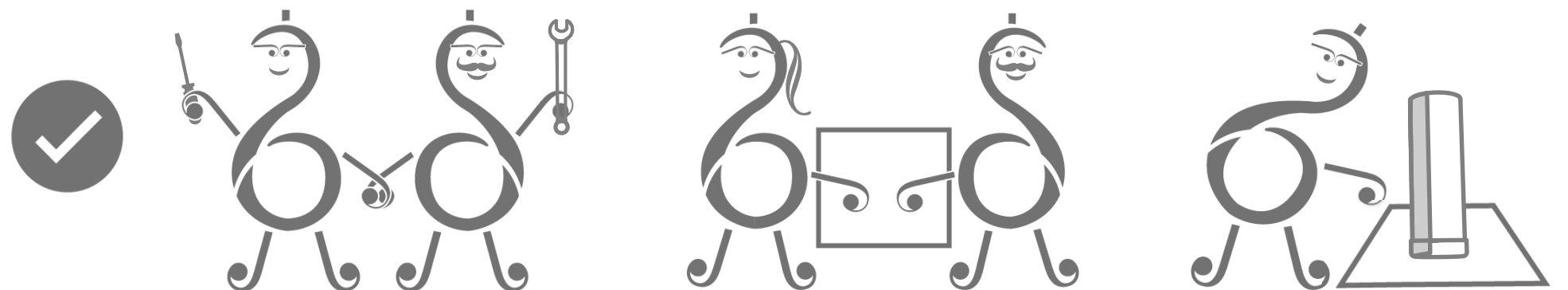
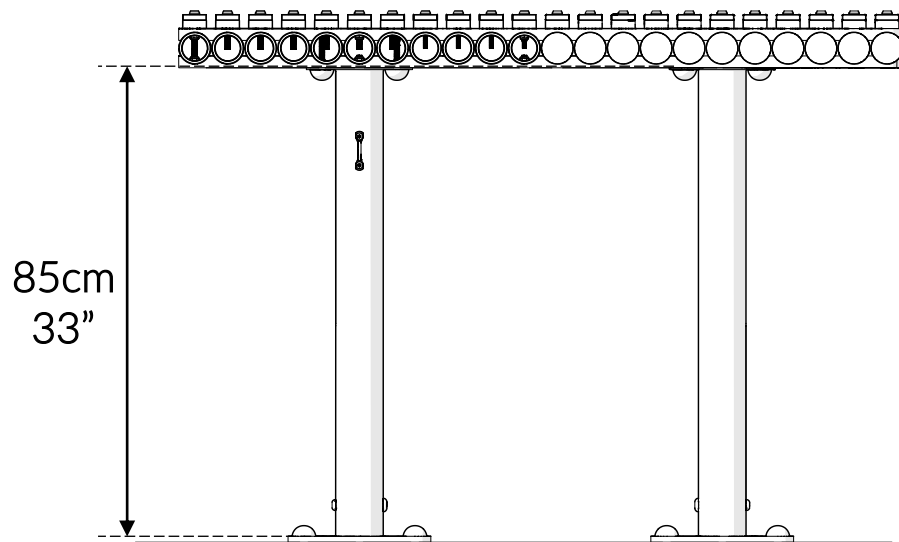
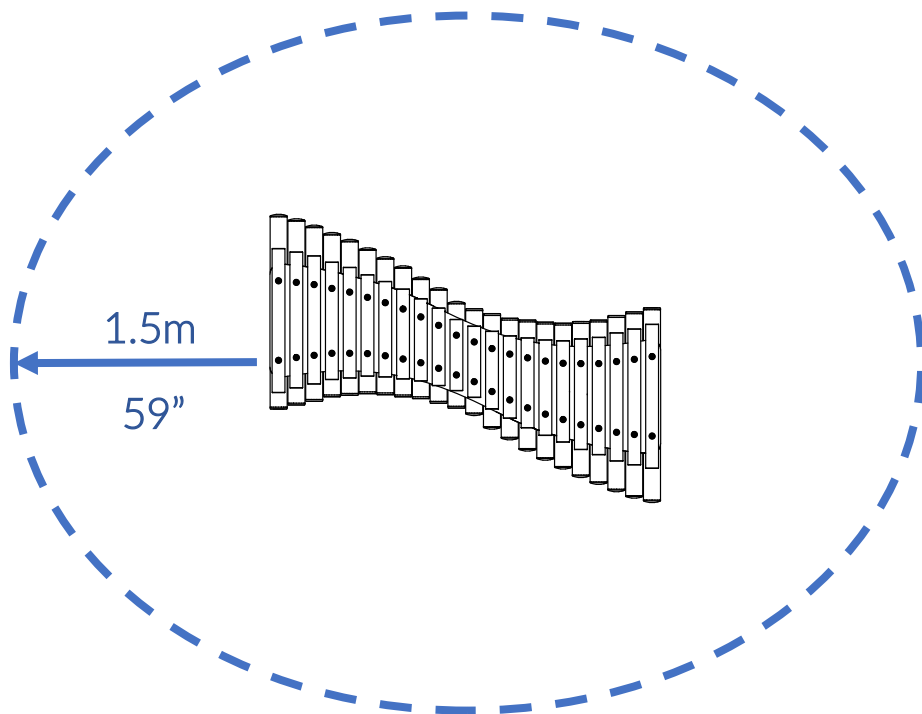


Part Reference	Description
PP-DUO-CU-SD-SU	Duo - Cupla (Surface Fix)
PP-DUO-JU-SD-SU	Duo - Jumeau (Surface Fix)
PP-DUO-GE-SD-SU	Duo - Gemina (Surface Fix)
PP-DUO-BE-SD-SU	Duo - Besso (Surface Fix)
PP-DUO-KA-SD-SU	Duo - Kasinda (Surface Fix)
PP-DUO-KE-SD-SU	Duo - Kembar (Surface Fix)
PP-DUO-CU-HD-SU	Heavy Duty Duo - Cupla (Surface Fix)
PP-DUO-JU-HD-SU	Heavy Duty Duo - Jumeau (Surface Fix)
PP-DUO-GE-HD-SU	Heavy Duty Duo - Gemina (Surface Fix)
PP-DUO-BE-HD-SU	Heavy Duty Duo - Besso (Surface Fix)
PP-DUO-KA-HD-SU	Heavy Duty Duo - Kasinda (Surface Fix)
PP-DUO-KE-HD-SU	Heavy Duty Duo - Kembar (Surface Fix)

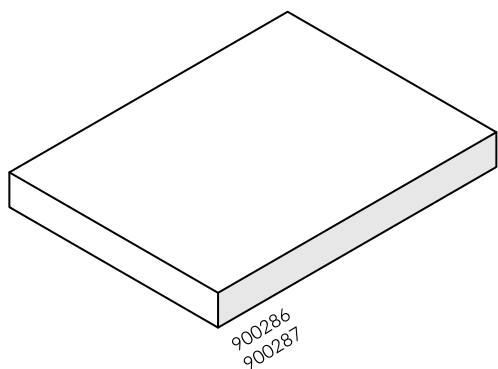




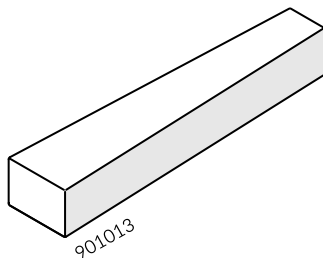
Check Risk Assessment



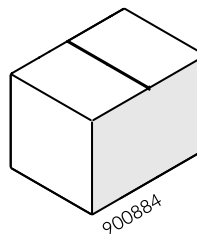
Packages



x1



x2

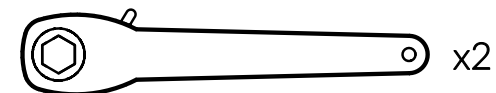


x2

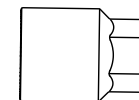
		L	W	H	Weight	Net
x1	900286 900287	120cm / 47"	90cm / 35"	13cm / 5"	20kg / 44lbs	
x2	901013	85cm / 33"	18cm / 7"	13cm / 5"	3kg / 7lbs	
x2	900884	23cm / 9"	23cm / 9"	31cm / 12"	6kg / 13lbs	

Tools required (not supplied)

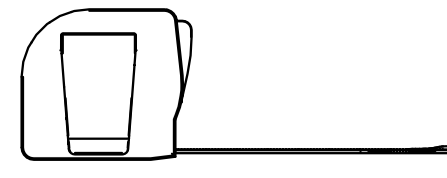
¼" Bit Driver Ratchet



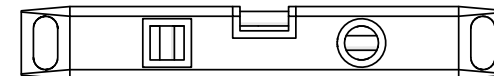
½" Socket spanner

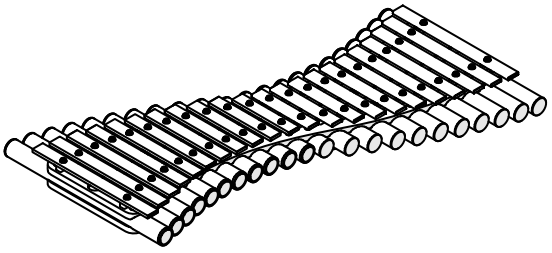
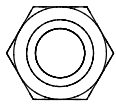
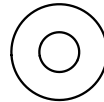
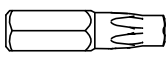
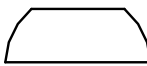
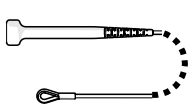



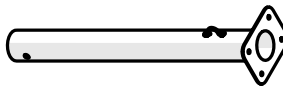
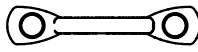
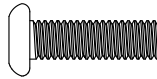
Tape Measure

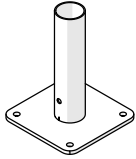

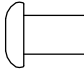
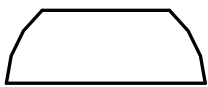

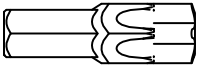


Spirit level



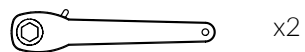
900286 900287	
<p>① x1</p> 	
<p>Ⓐ x4</p> <p>500676</p> 	<p>Ⓑ x4</p> <p>500673</p> 
<p>x1</p> <p>TX30 500473</p> 	<p>Ⓒ x4</p> <p>600707</p> 
<p>② x2</p> <p>900837</p> 	<p>Ⓓ x4</p> <p>600708</p> 

901013	x2
<p>③ x1</p> <p>802518</p> 	
<p>Ⓘ x1</p> <p>603150</p> 	
<p>Ⓙ x2</p> <p>500746</p> 	

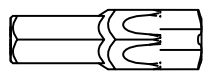
900884	x2
<p>④ x1</p> <p>800878</p> 	
<p>ⓔ x1</p> <p>500667</p> 	
<p>ⓕ x1</p> <p>500613</p> 	
<p>ⓖ x4</p> <p>601543</p> 	
<p>ⓗ x4</p> <p>601542</p> 	
<p>TX45 x2</p> <p>500720</p> 	

Not to scale


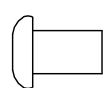
1. x2



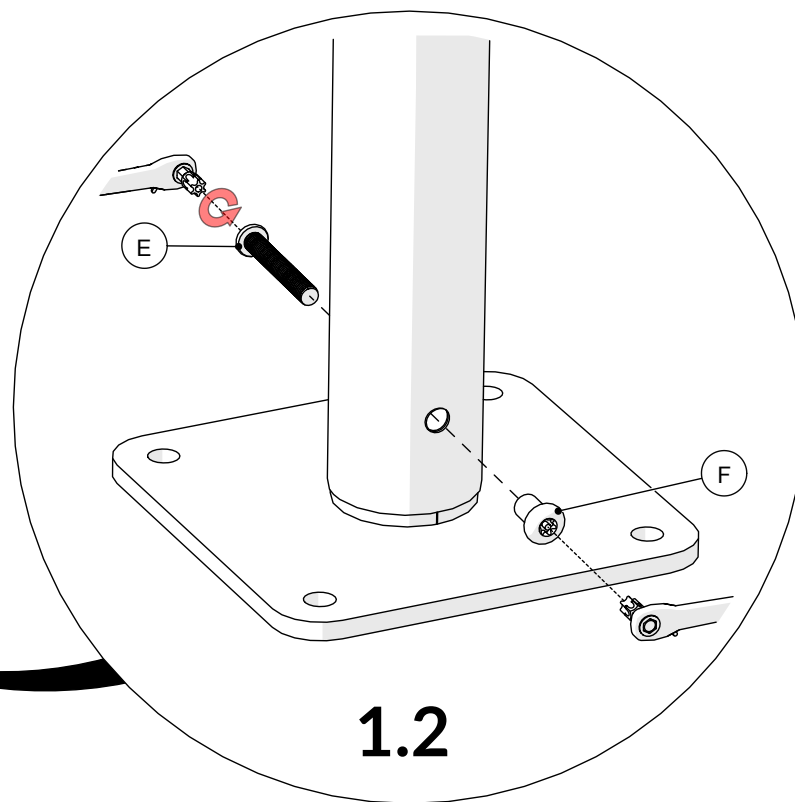
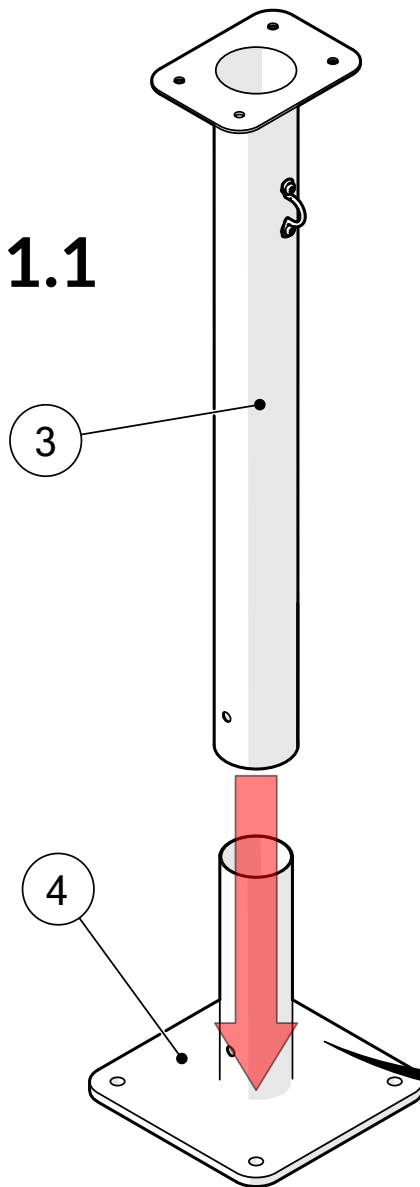
x2



x2 TX45

E		x2
F		x2

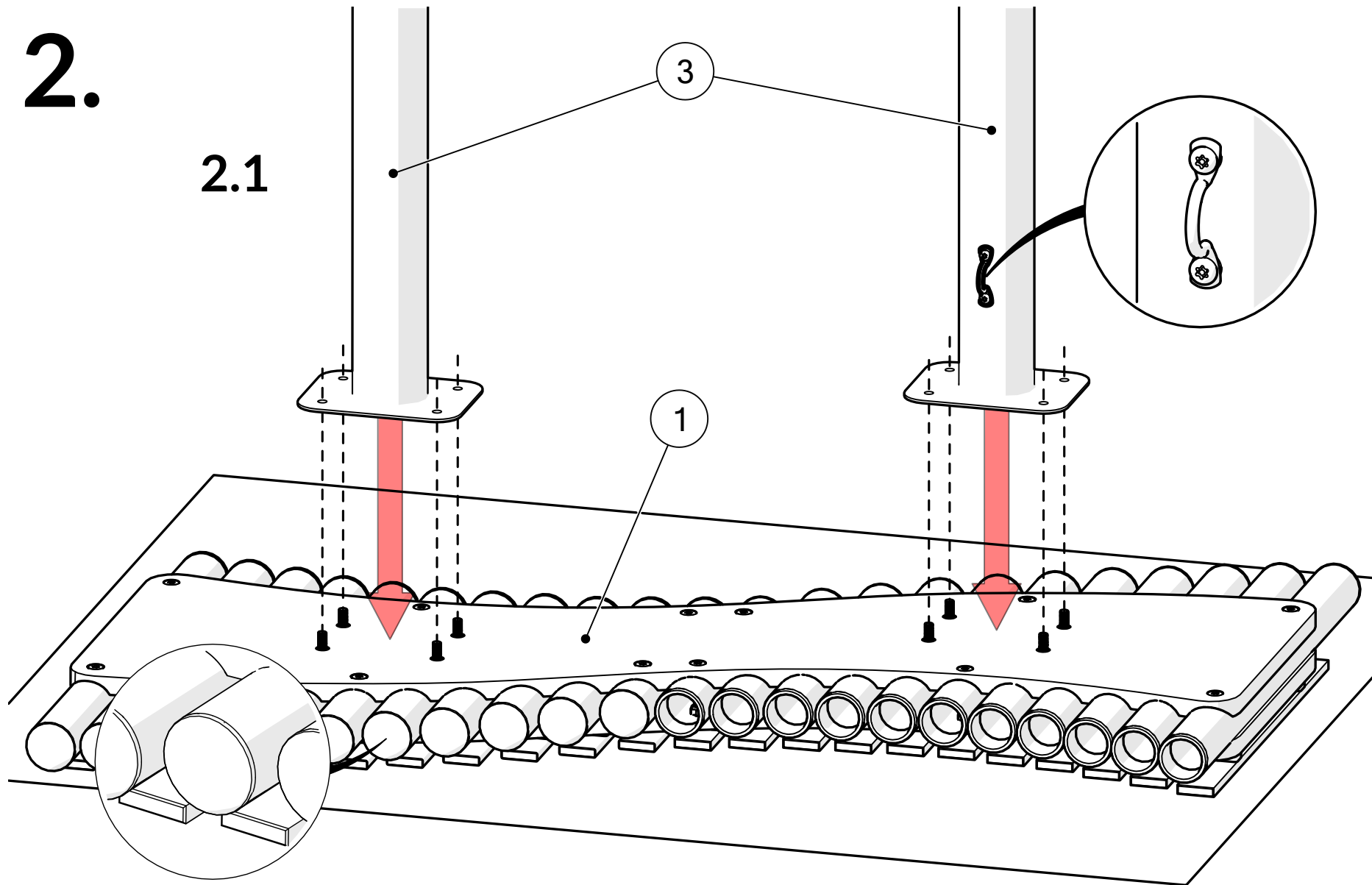
1.1

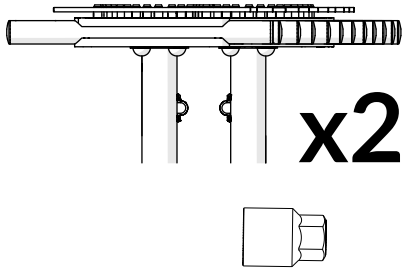


1.2

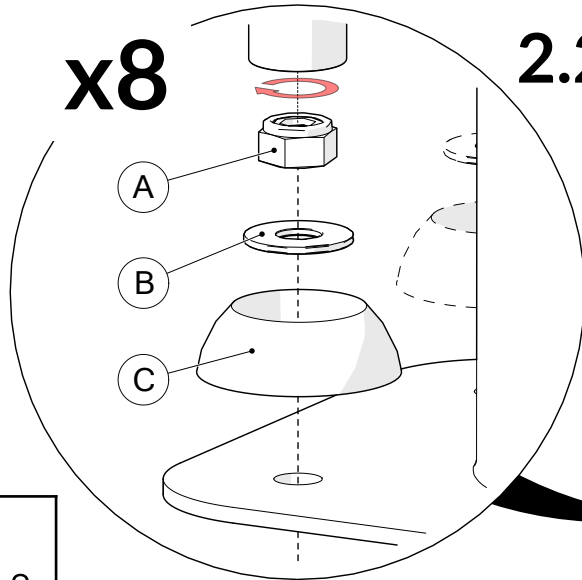
2.

2.1



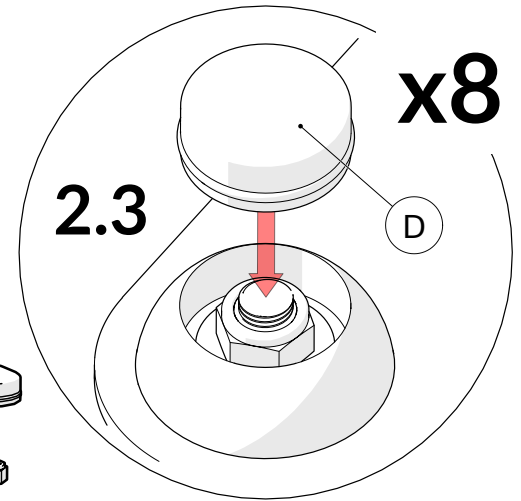


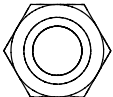
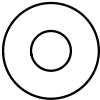
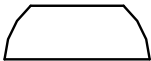

x8

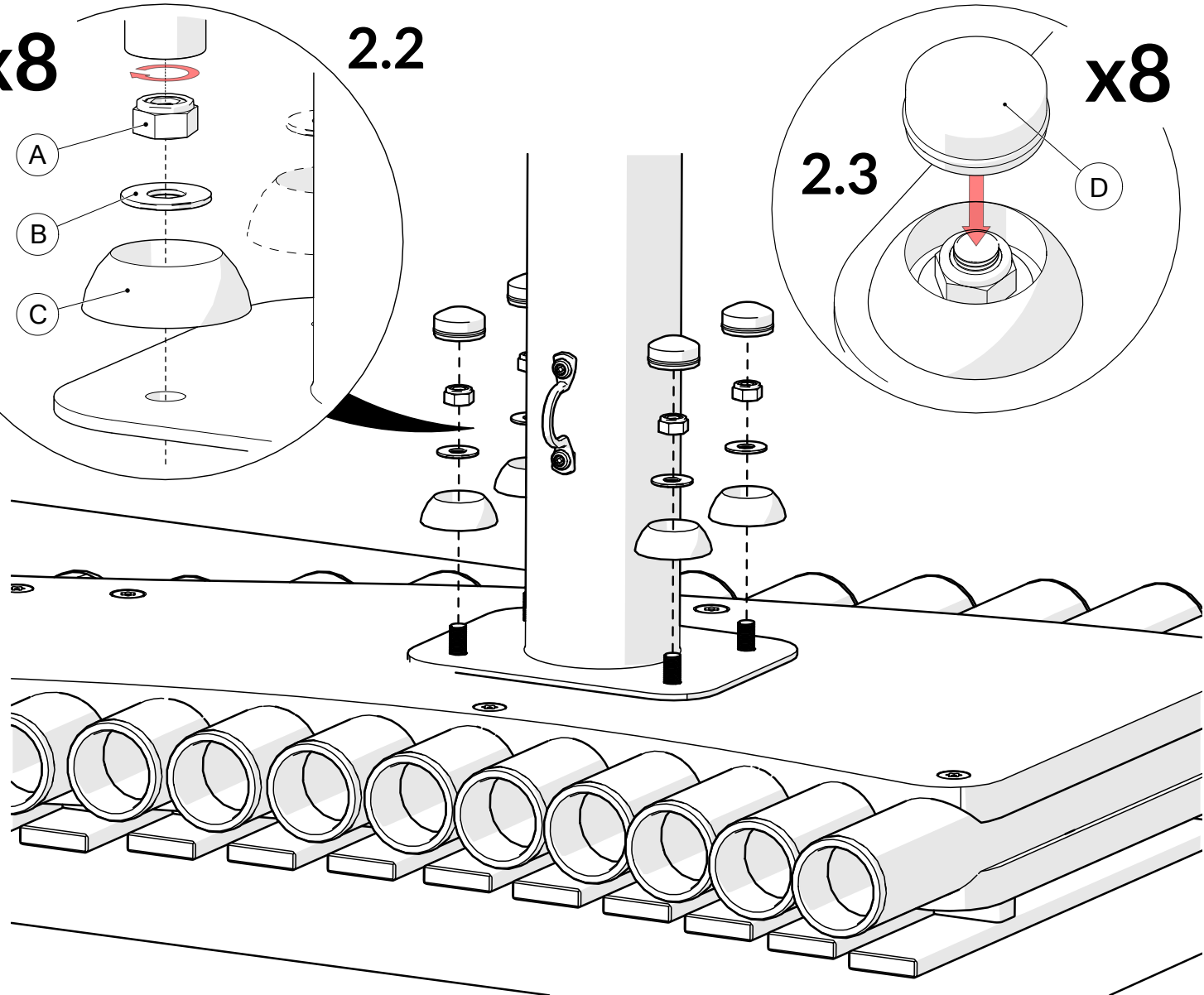


x8

2.3



A		x8
B		x8
C		x8
D		x8

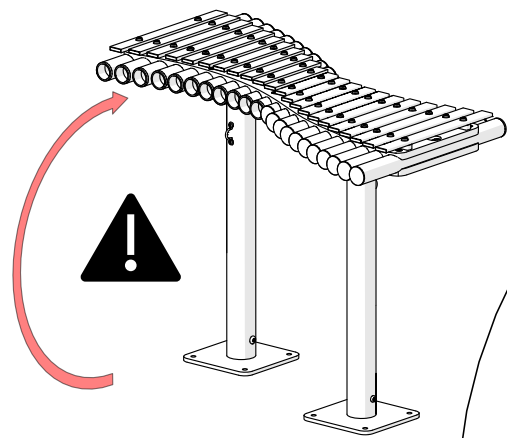


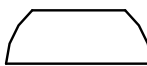

3. x2



Surface fixing should not present a hazard


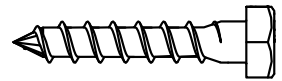

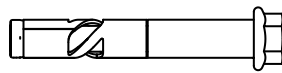

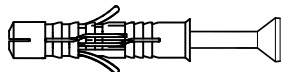
Refer to your local Health & Safety standards



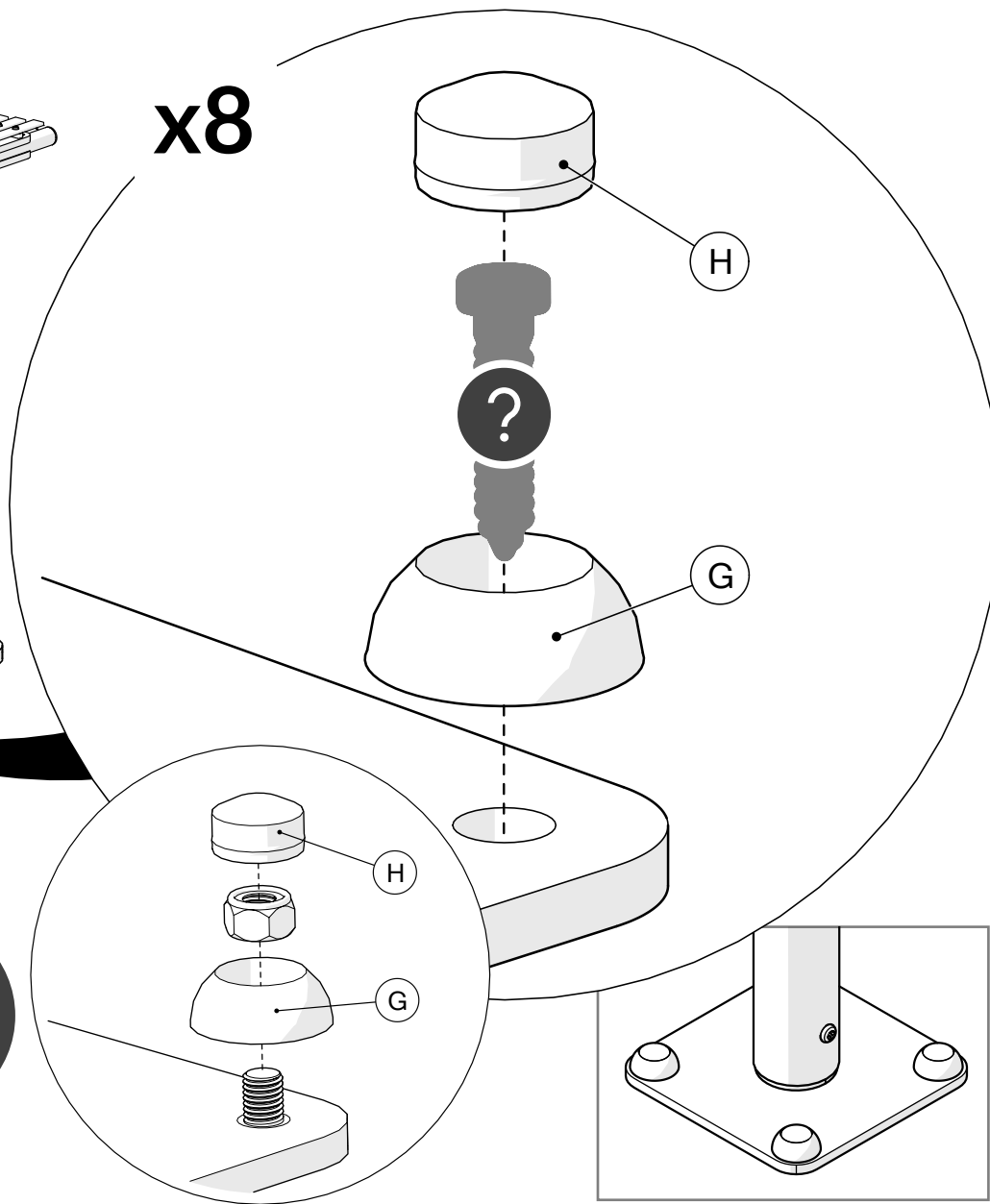
G		x8
H		x8

Surface

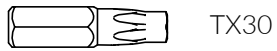
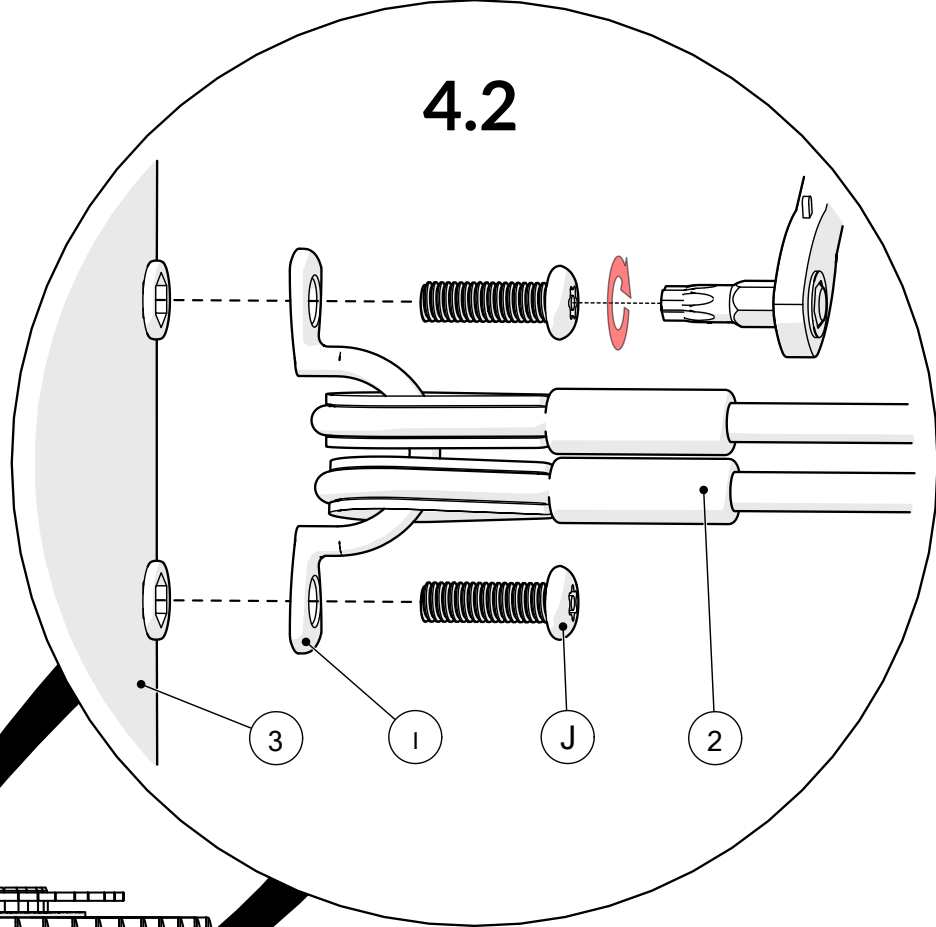
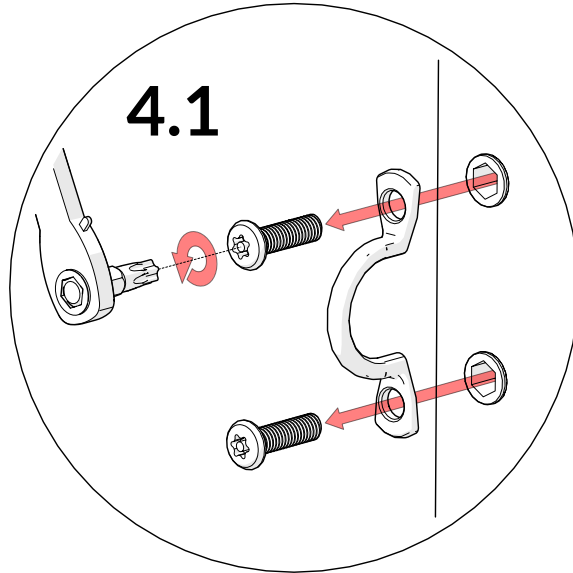
Example fixing

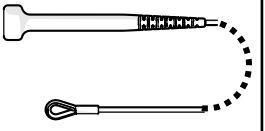
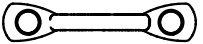
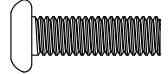
	Wood		x8
	Concrete		x8
	Brick		x8

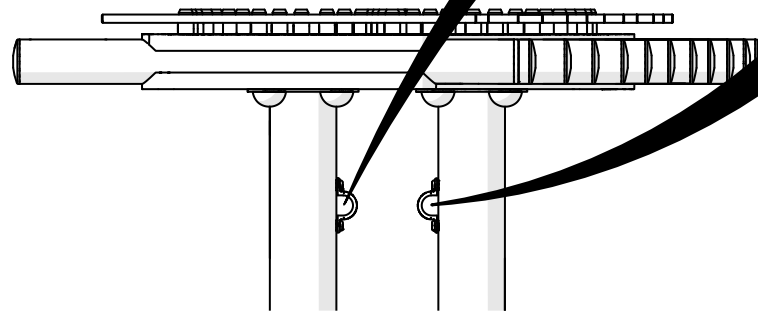
x8

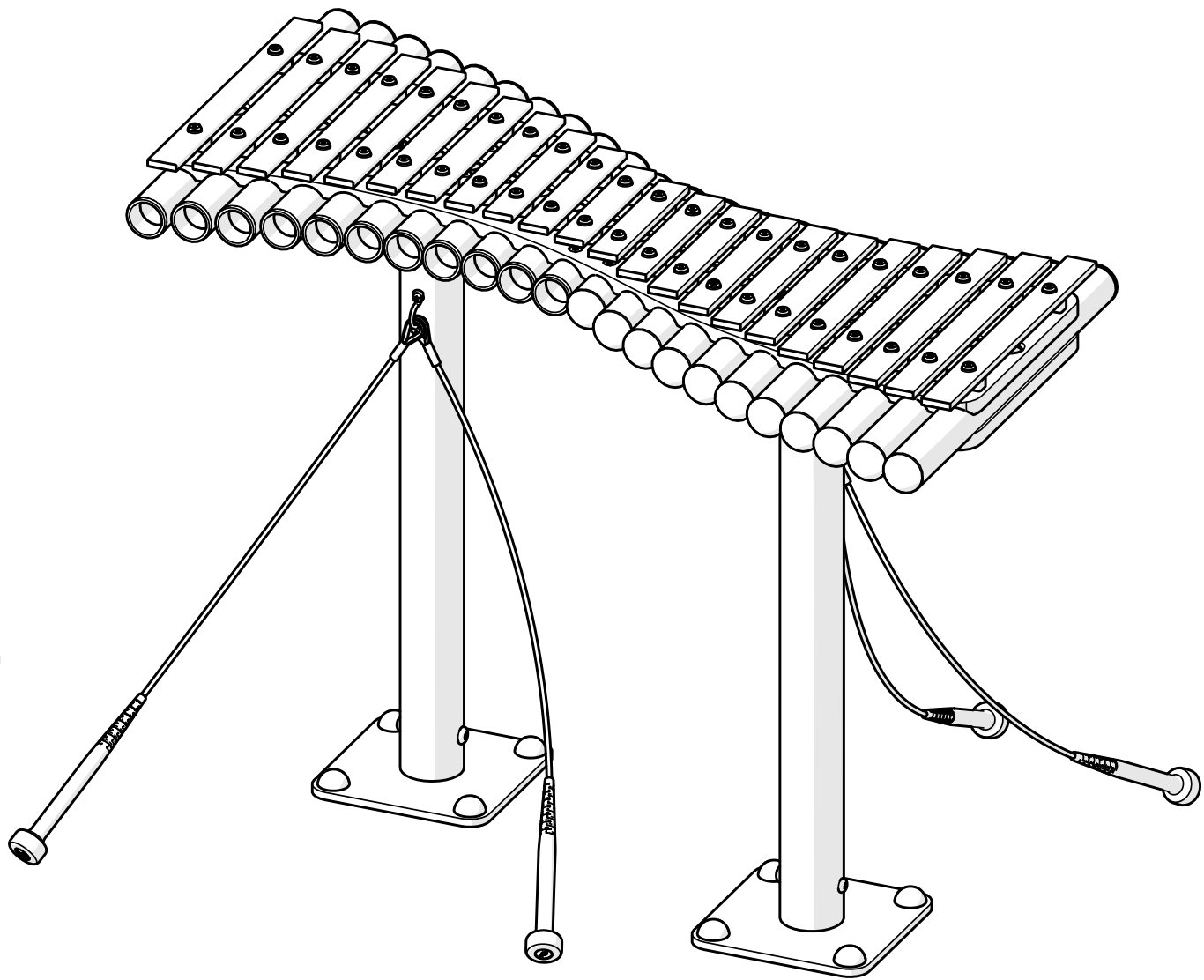


4. x2



2		x4
I		x2
J		x4





percussionplay.com



info@percussionplay.com



UK
[01730 235 180](tel:01730235180)

USA & CAN
[+1 \(866\) 882 9170](tel:+18668829170)

EUR & ROW
[+44 1730 235 180](tel:+441730235180)