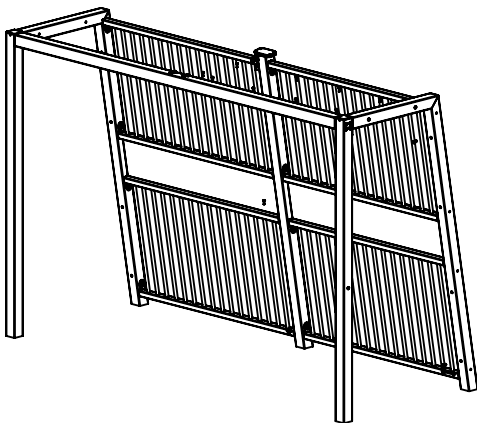
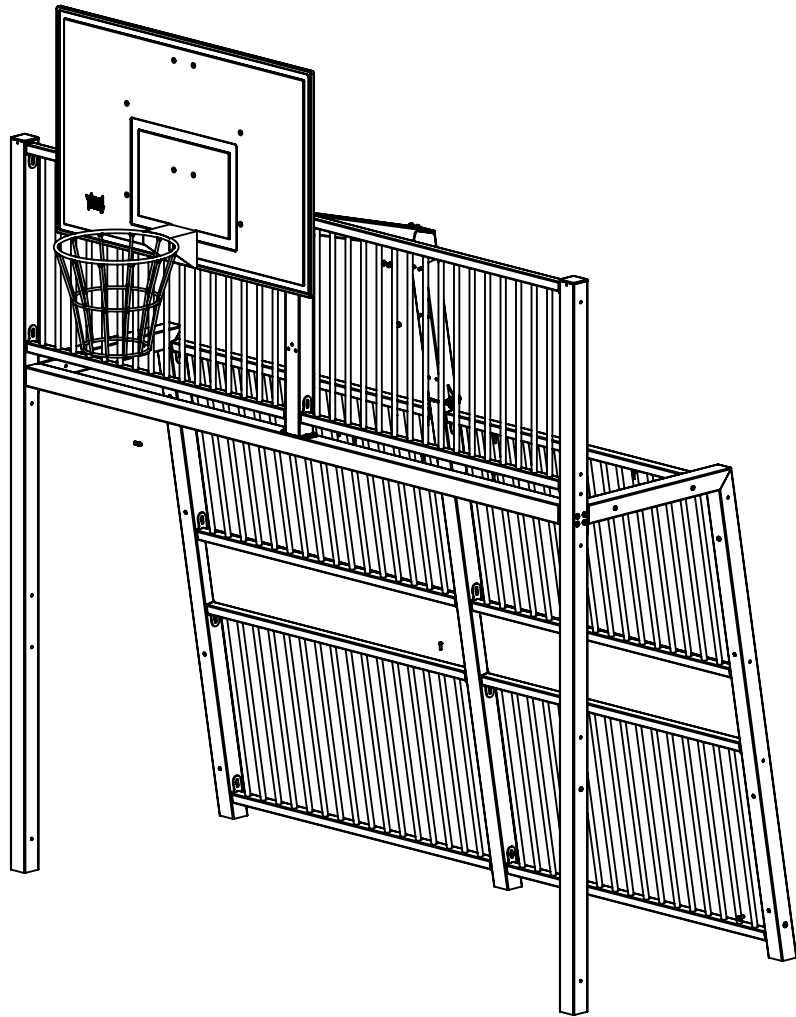
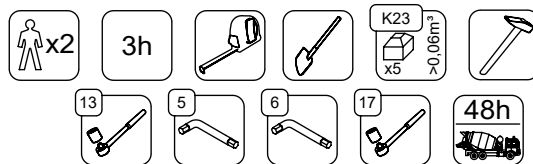


# 2421

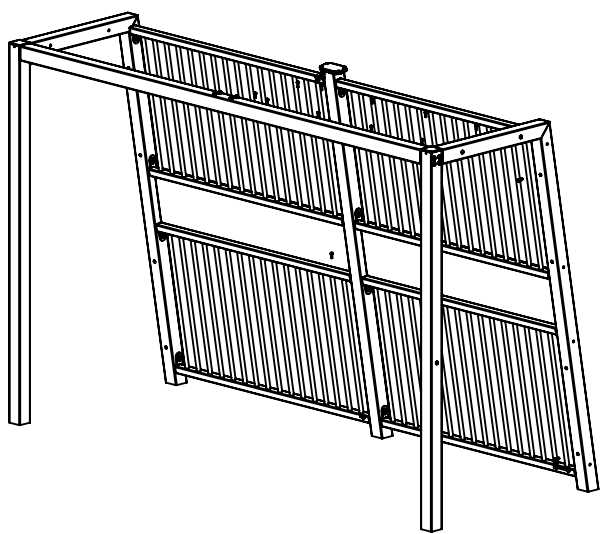


**2452**

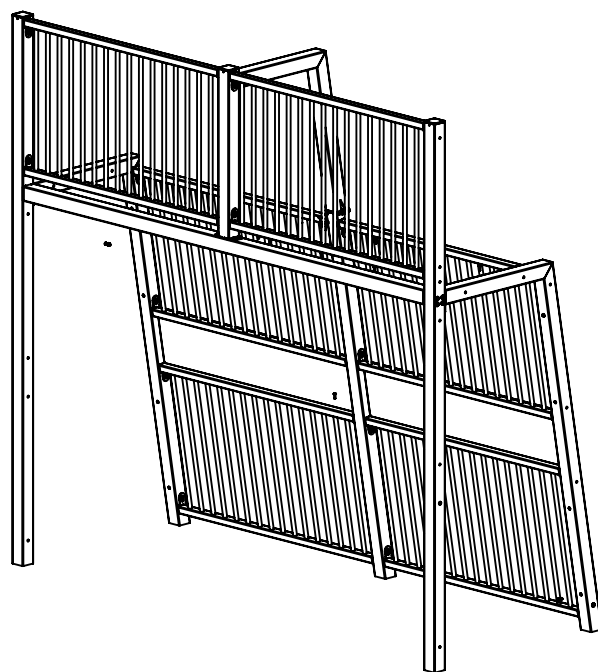
v013  
30.01.2025  
I.A.  
[cm]



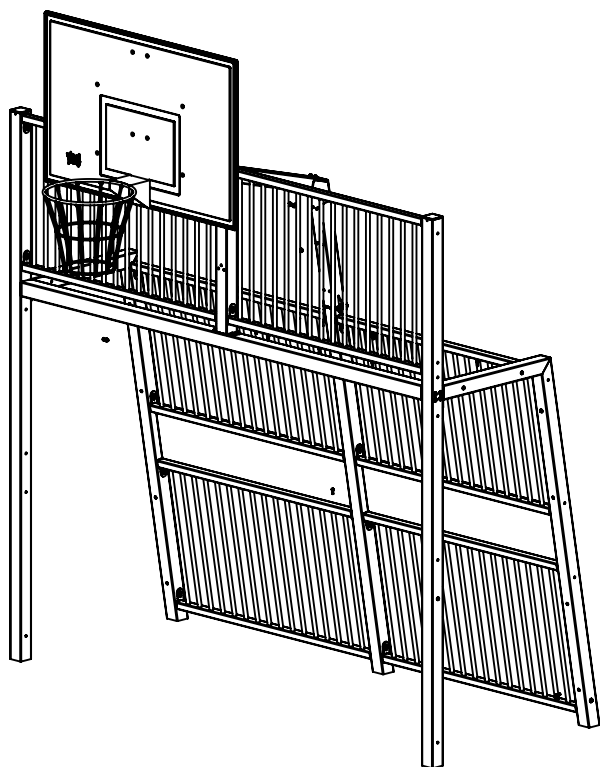
vinci  
play



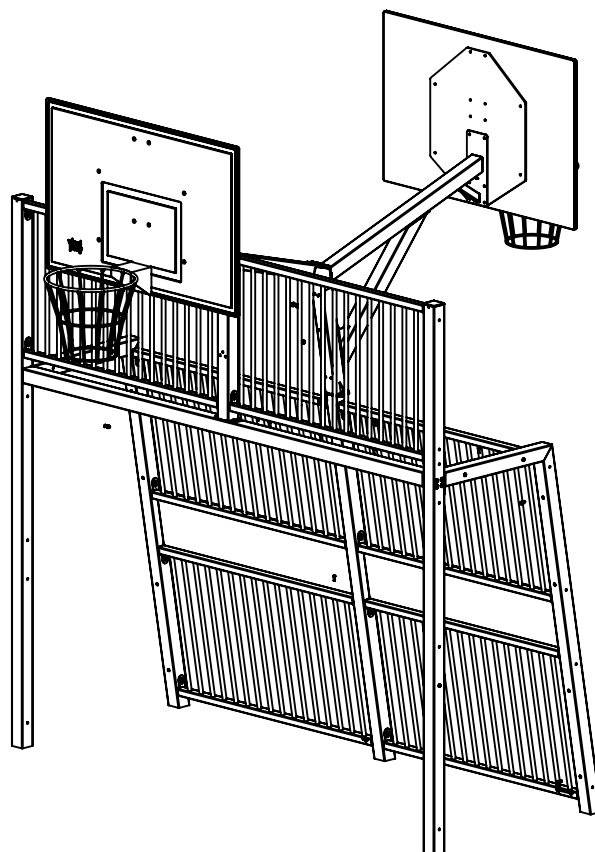
**2452**



**2421 C**



**2421 D**

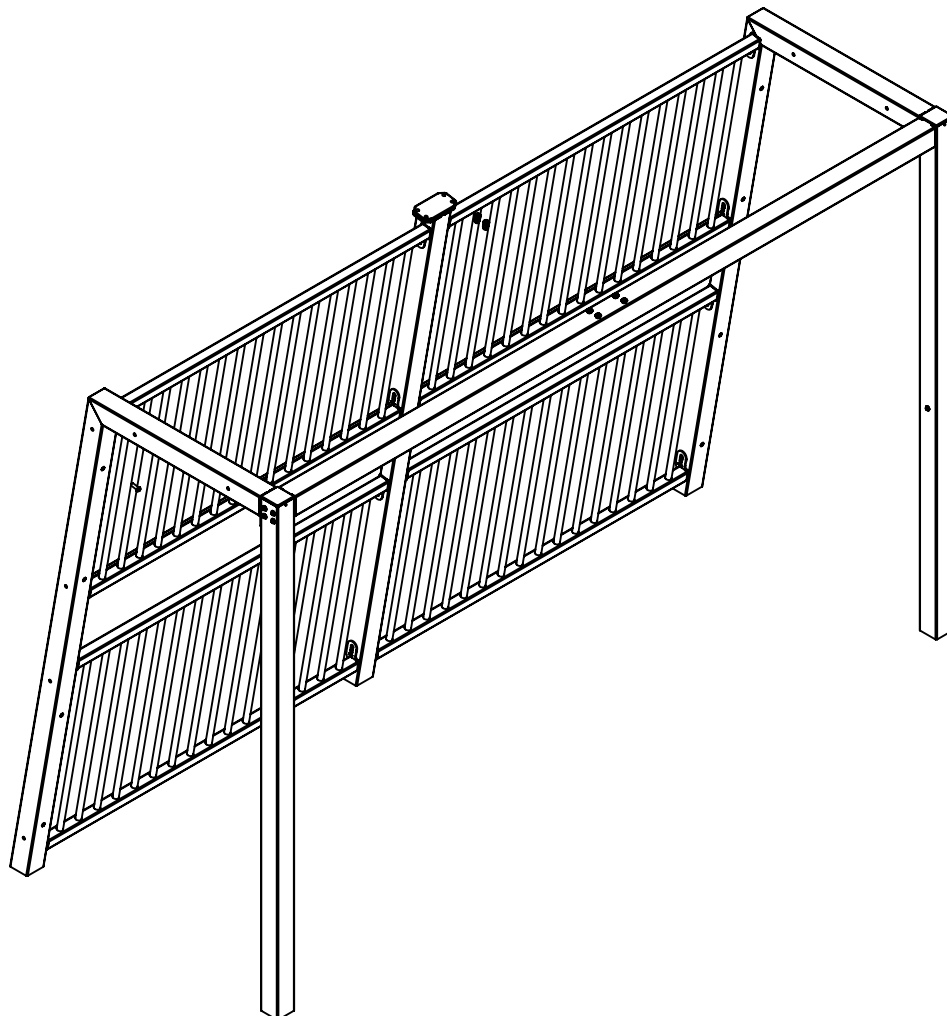
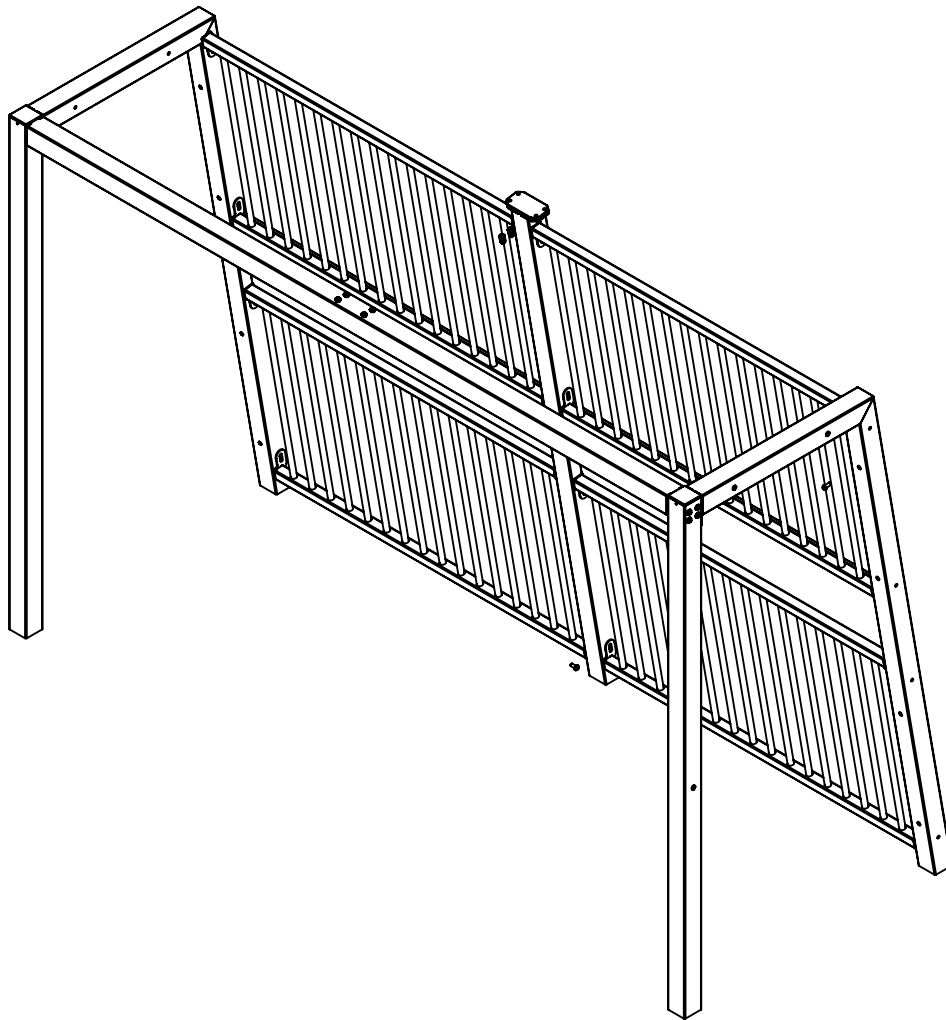


**2421 E**

[cm]

vinci  
play

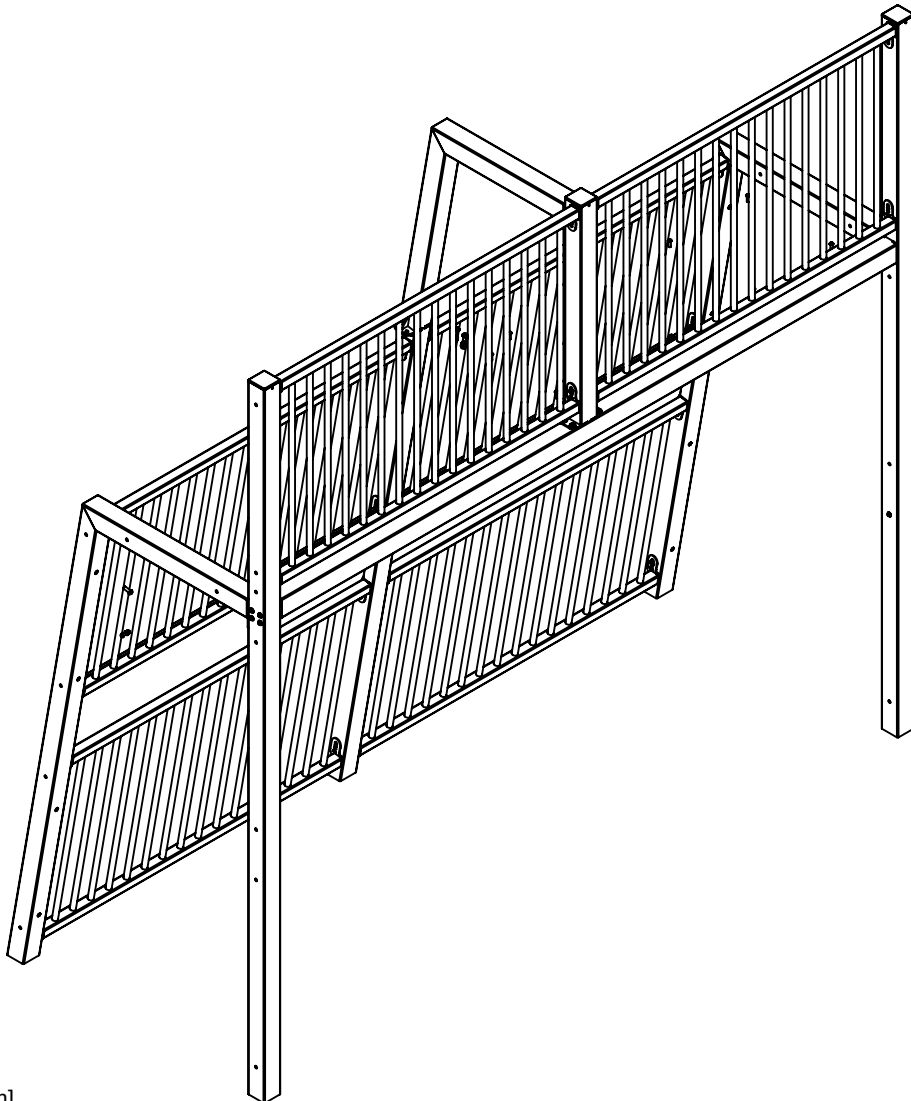
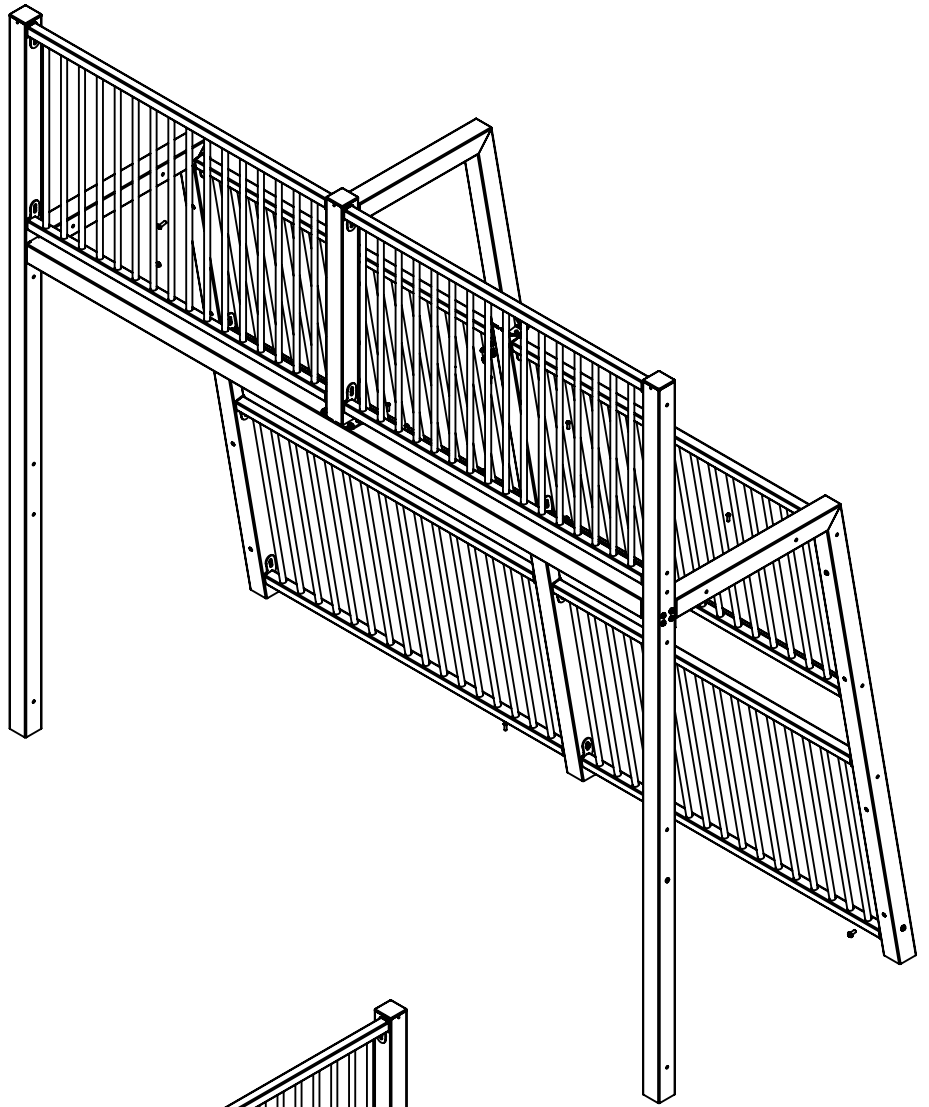
2452



[cm]

vinci  
play

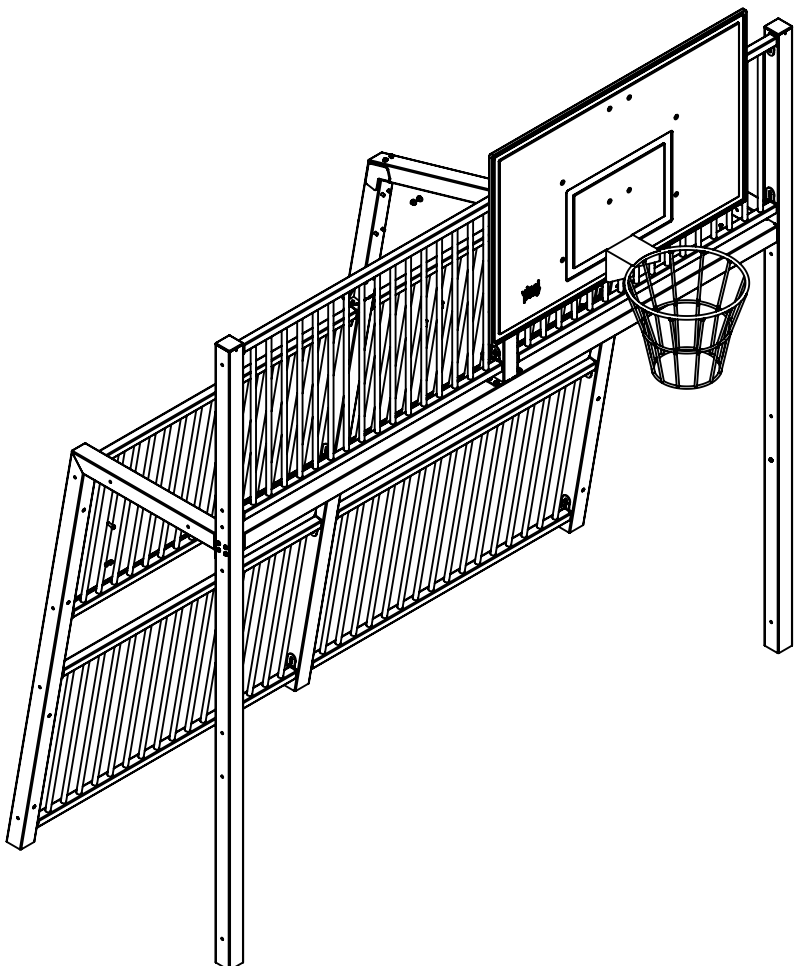
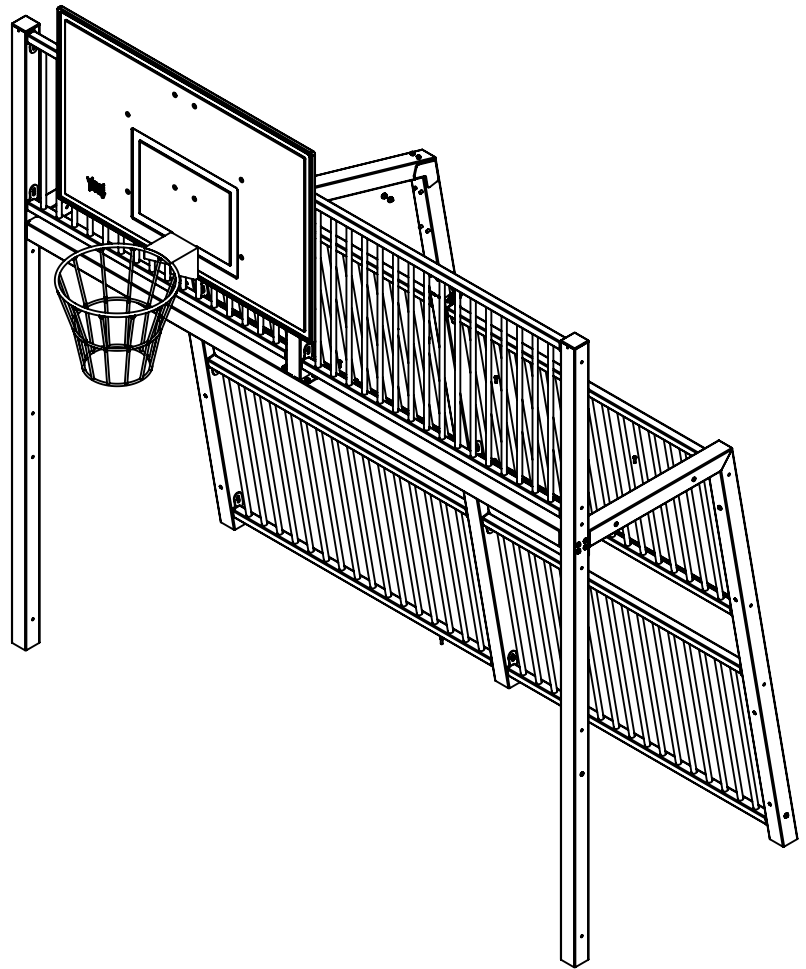
2421 C



[cm]

vinci  
play

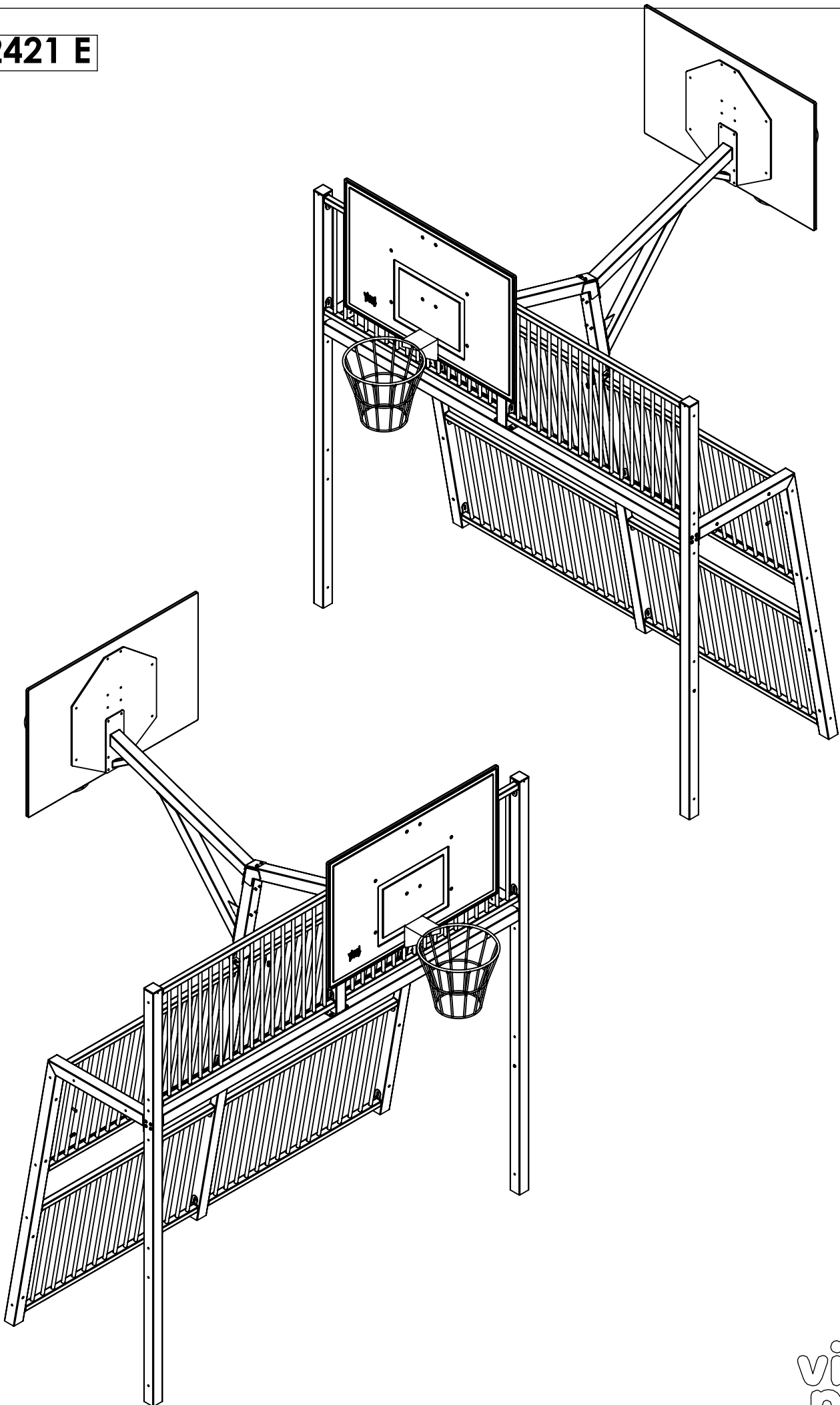
2421 D



[cm]

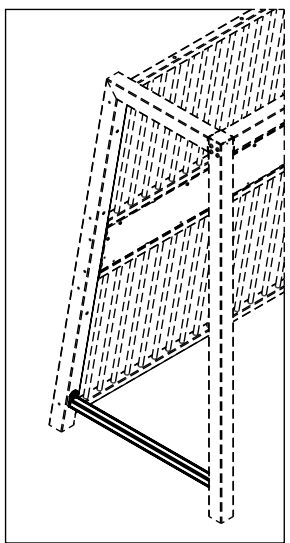
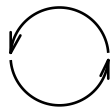
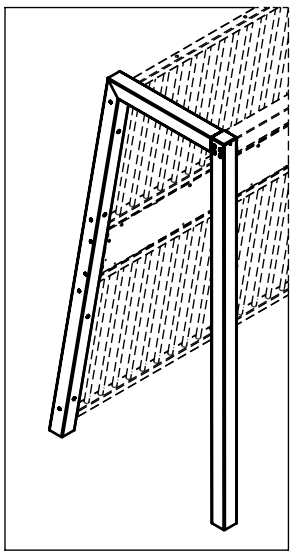
vinci  
play

2421 E

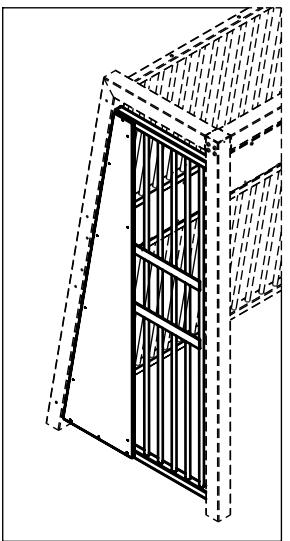
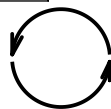


[cm]

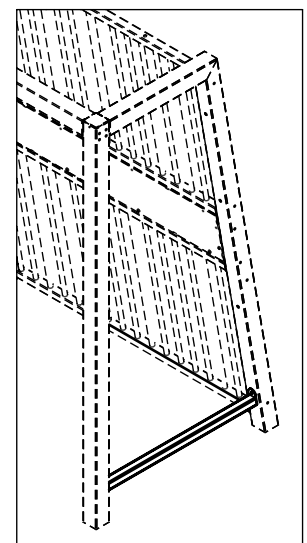
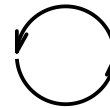
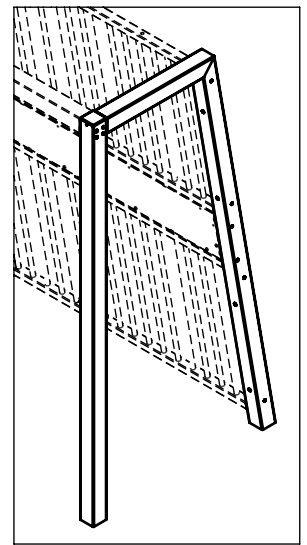
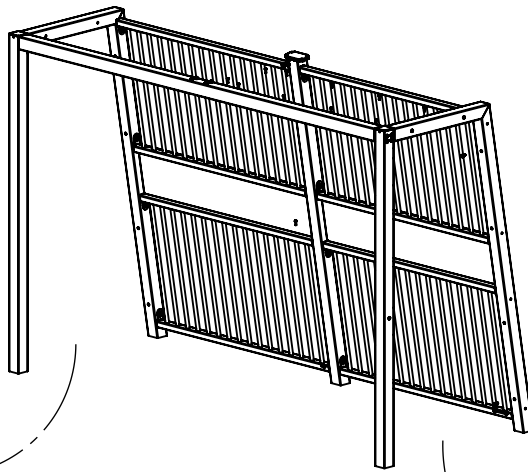
vinci  
play



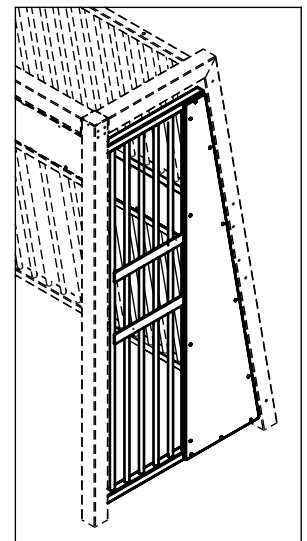
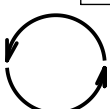
242123



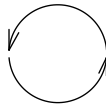
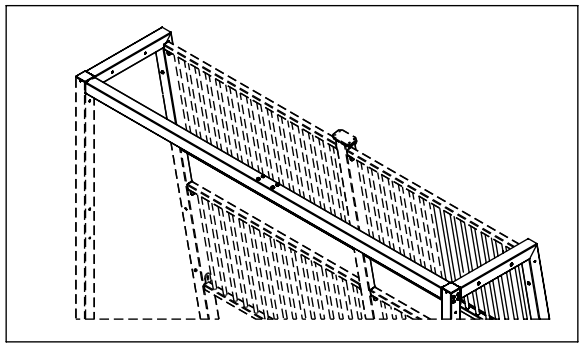
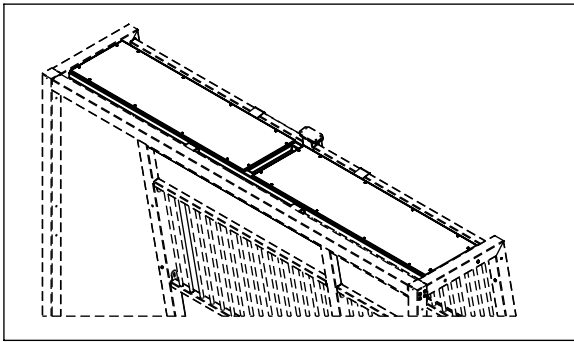
244126



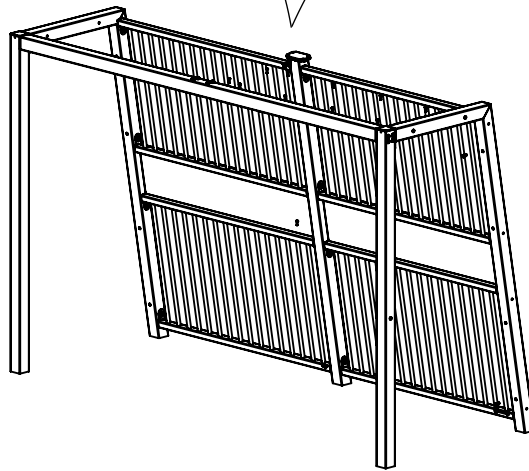
242123



244125



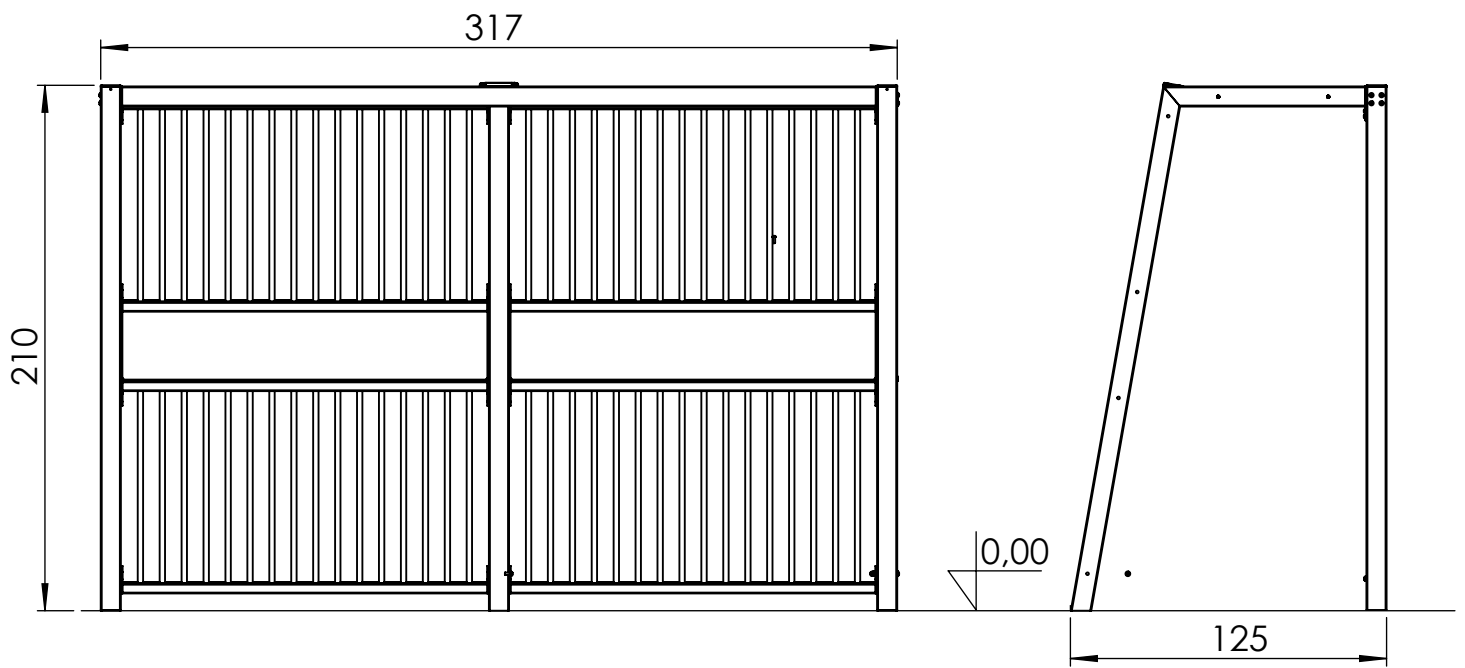
244129



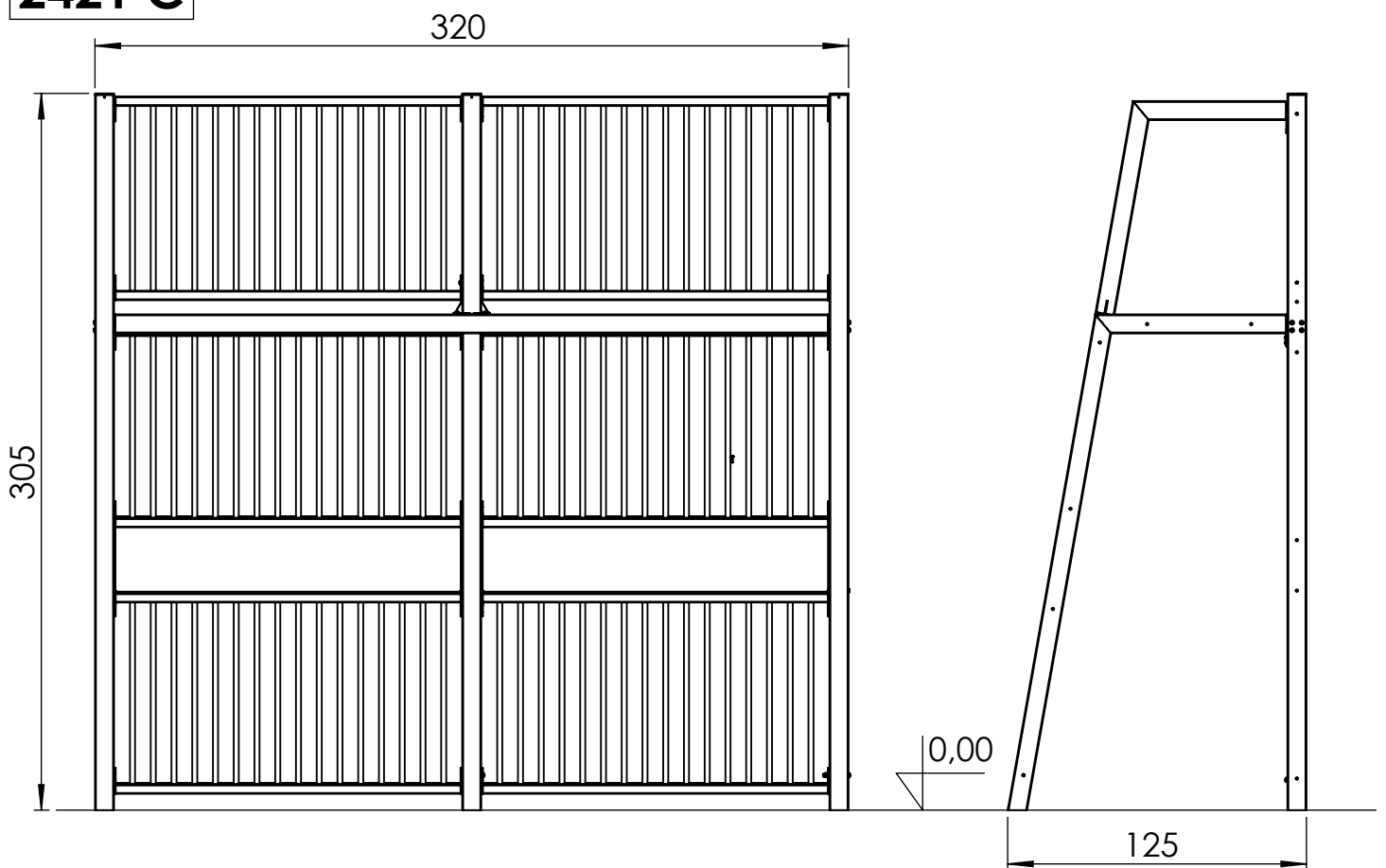
[cm]

vinci  
play

**2452**



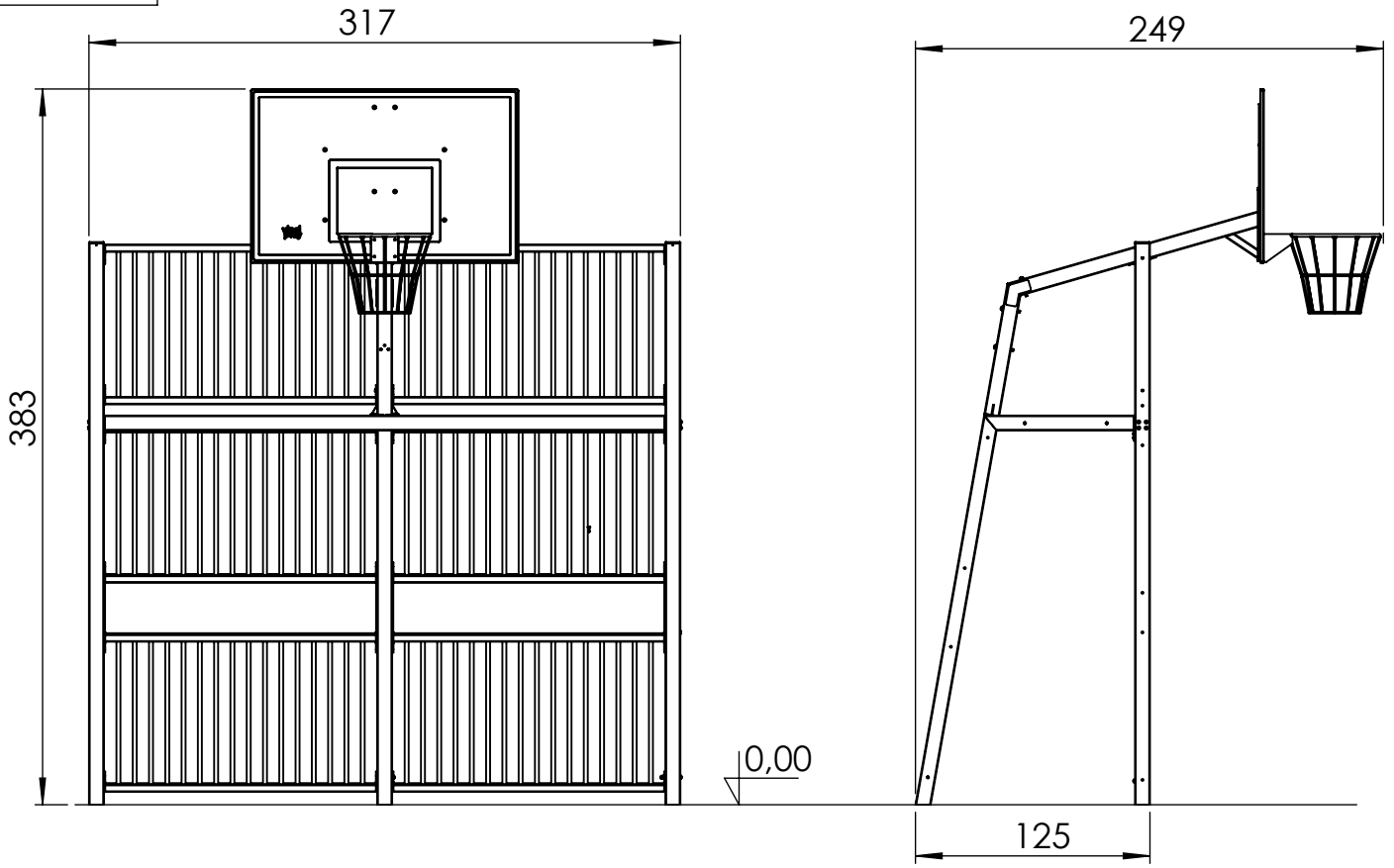
**2421 C**



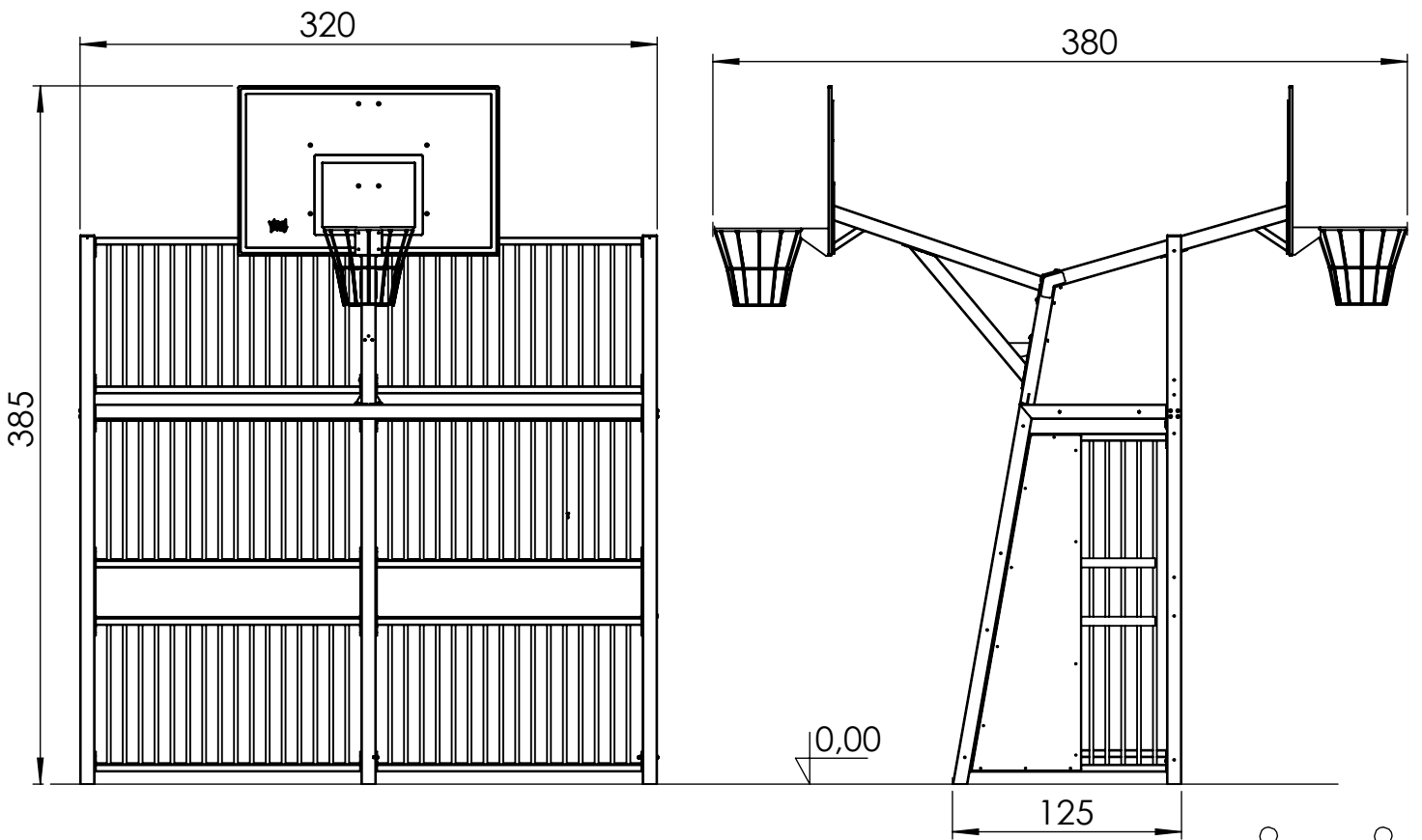
[cm]

vinci  
play

# 2421 D

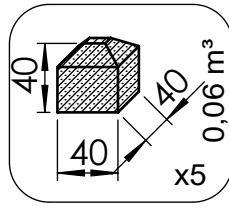
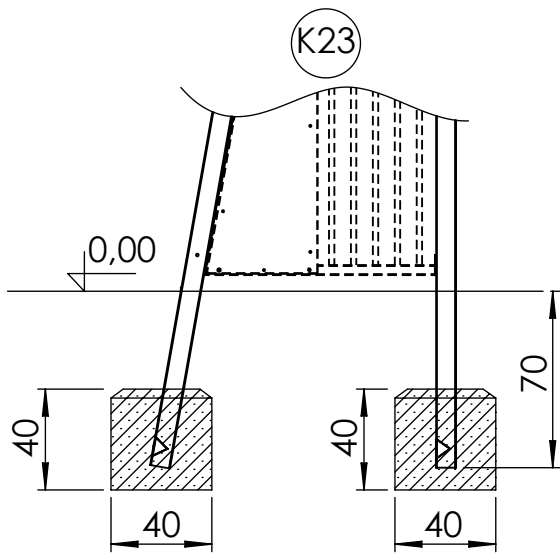


# 2421 E



[cm]

vinci  
play

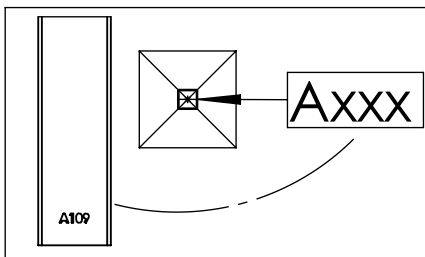
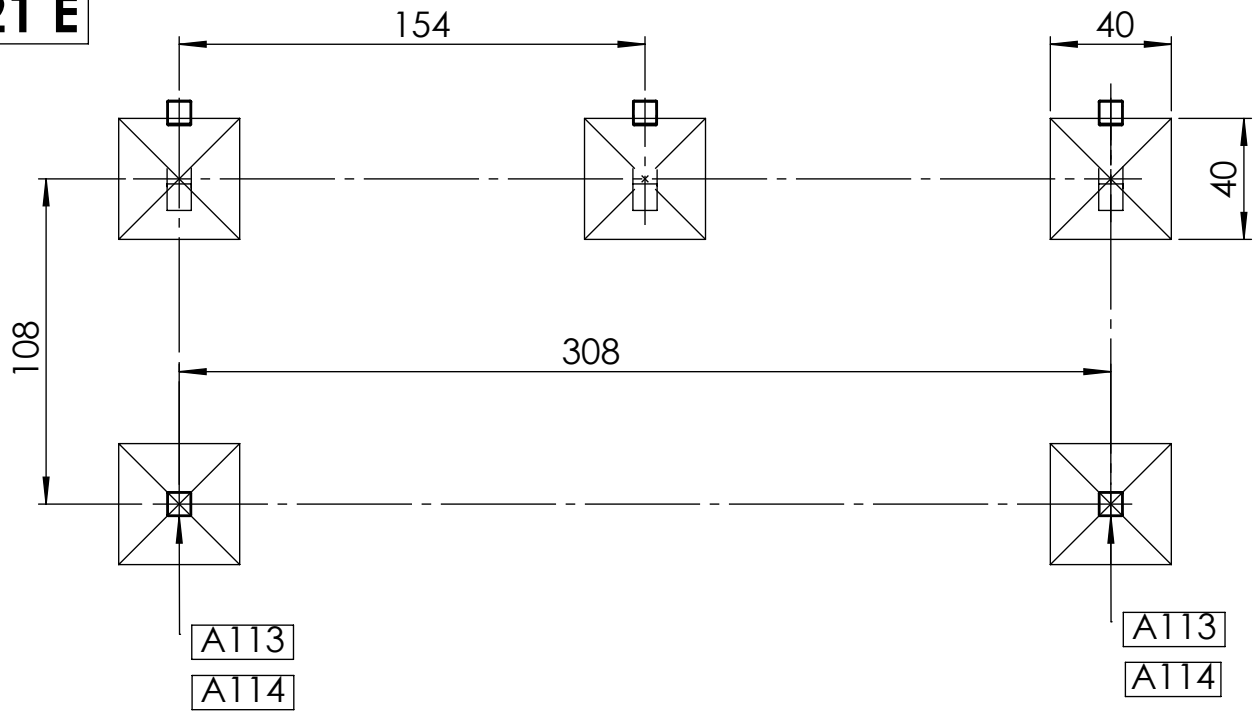


**2452**

**2421 C**

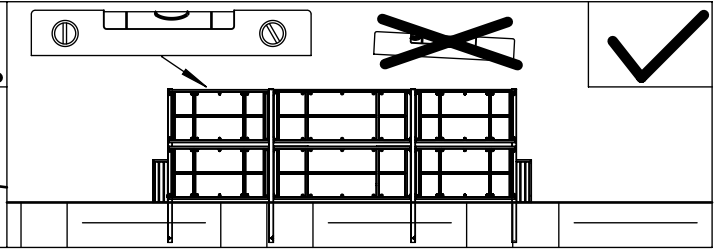
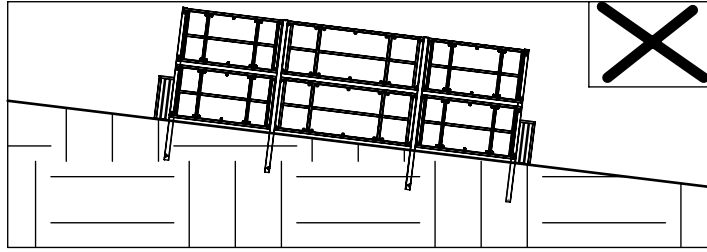
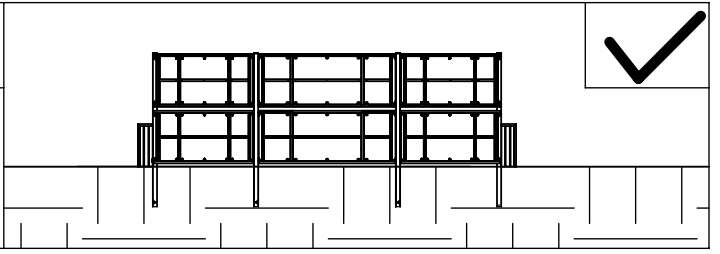
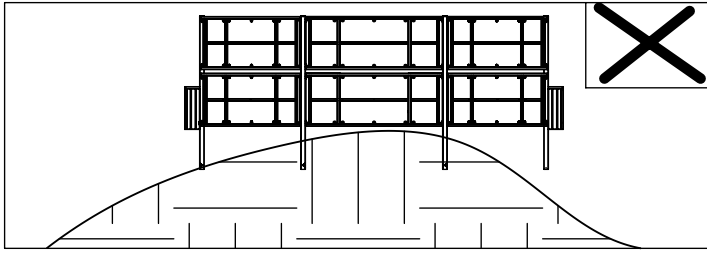
**2421 D**

**2421 E**

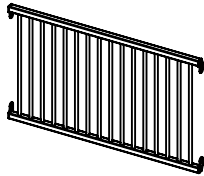
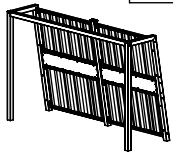


[cm]

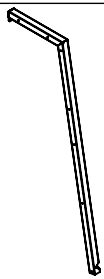
vinci  
play



# 2452



242139  
x4



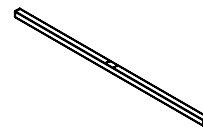
242115  
x2



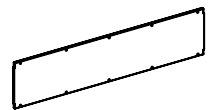
242113  
x1



247114  
x2

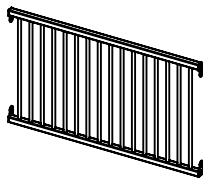


242112  
x1

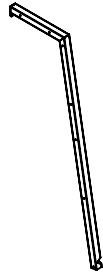


241109  
x2

# 2421 C



242139  
x6



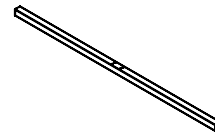
242115  
x2



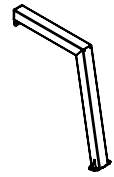
242113  
x1



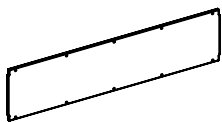
247113  
x2



242112  
x1



242151  
x1

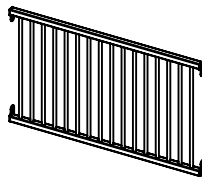
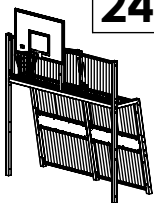


241109  
x2

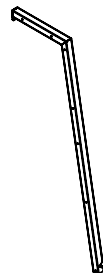


242149  
x1

# 2421 D



242139  
x6



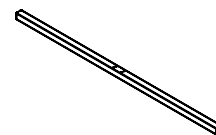
242115  
x2



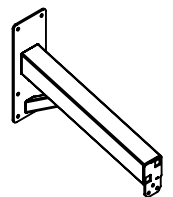
242113  
x1



247113  
x2



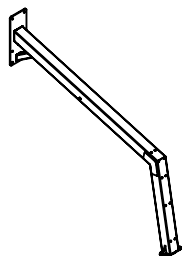
242112  
x1



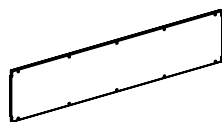
242147  
x1



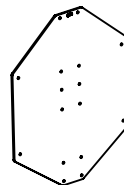
242114  
x1



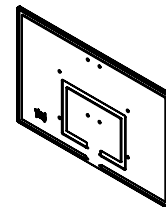
242111  
x1



241109  
x2



b799  
x1

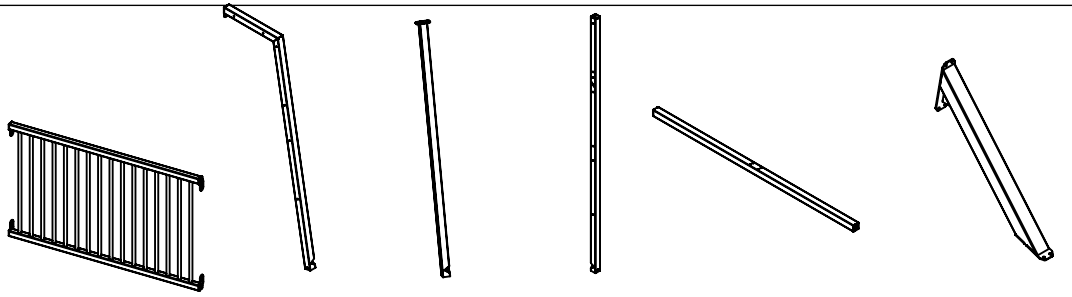
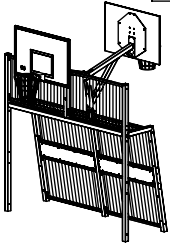


241104  
x1

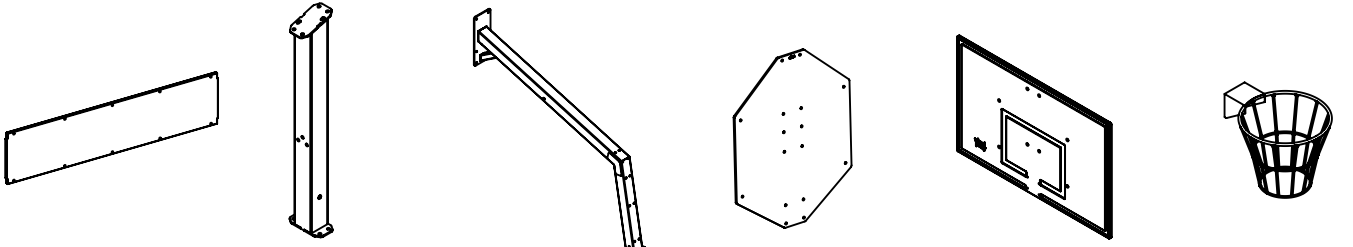


206100  
x1

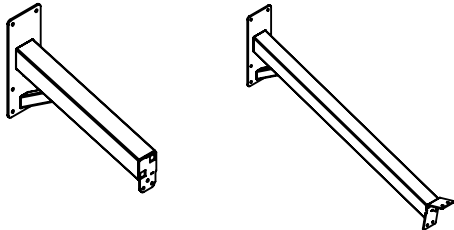
**2421 E**



242139 x6    242115 x2    242113 x1    247113 x2    242112 x1    242125 x1



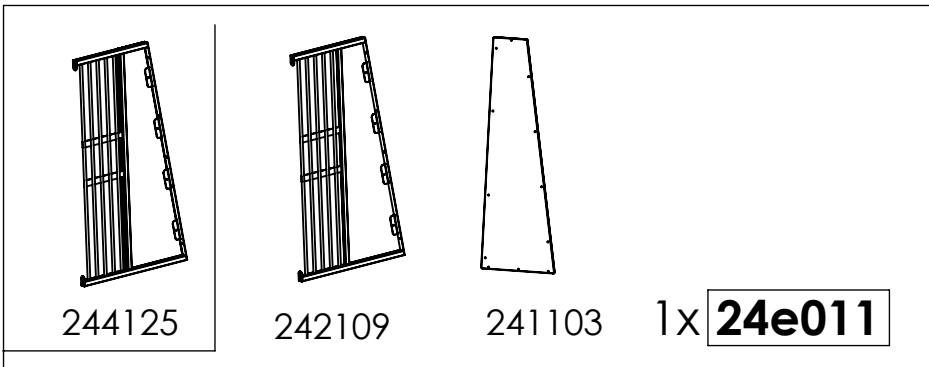
241109 x2    242114 x1    242111 x1    b799 x2    241104 x2    206100 x2



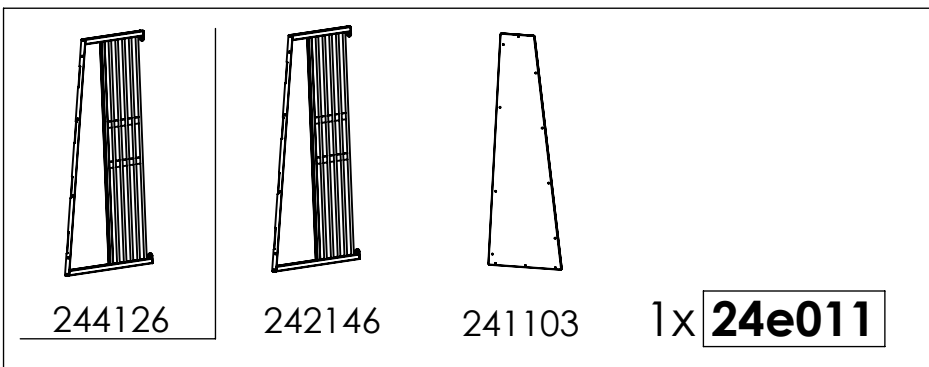
242147 x1    242124 x1



242123

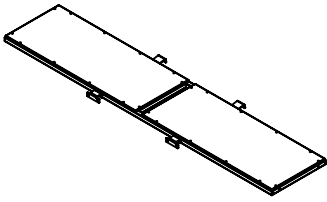


244125    242109    241103    1x **24e011**

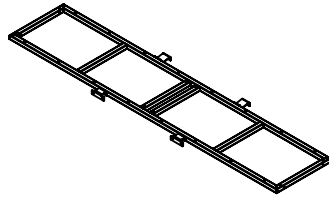


244126    242146    241103    1x **24e011**

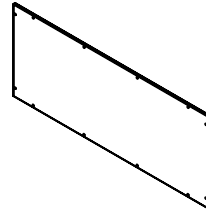
[cm]



244129



242152



241115

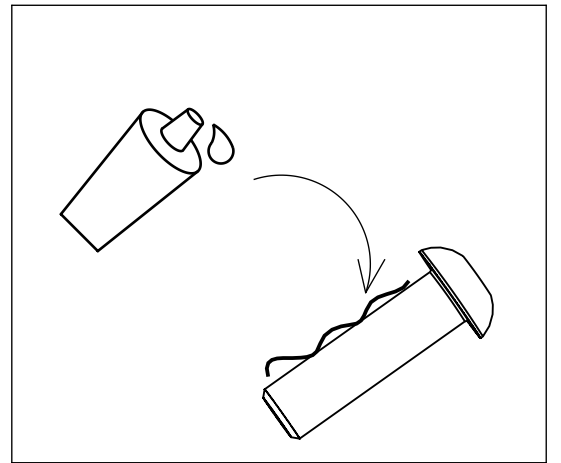
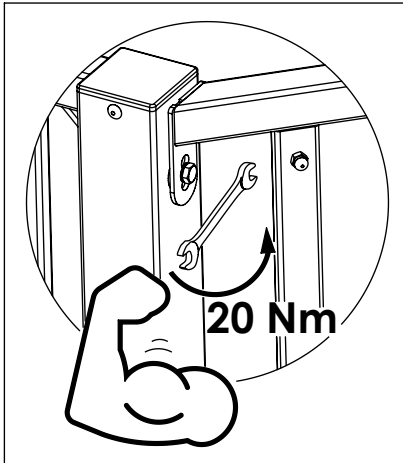
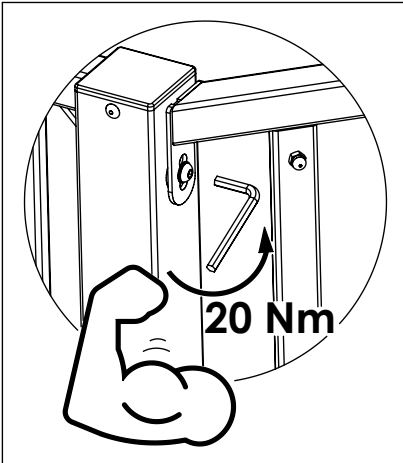
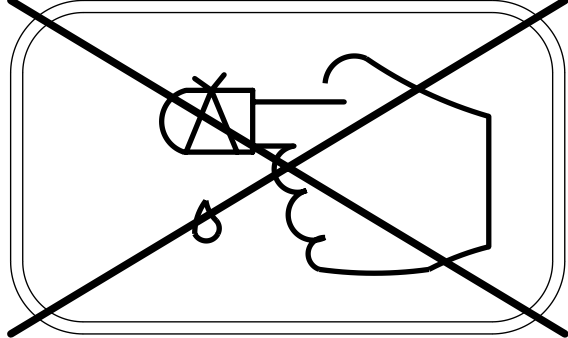
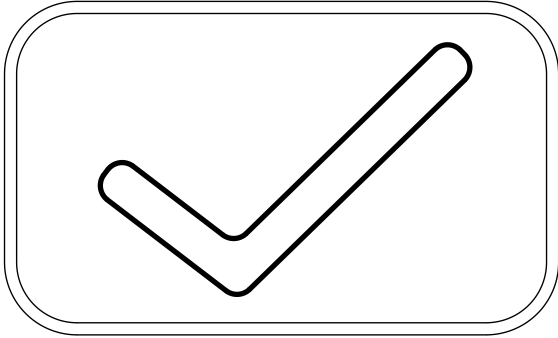
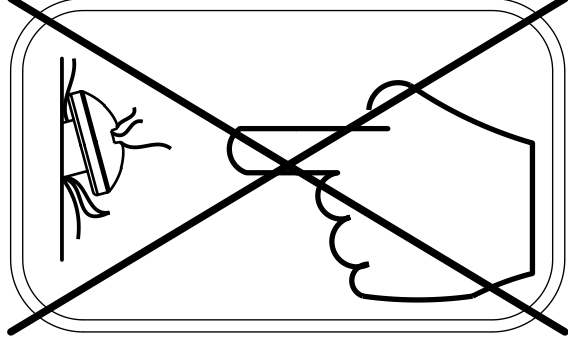
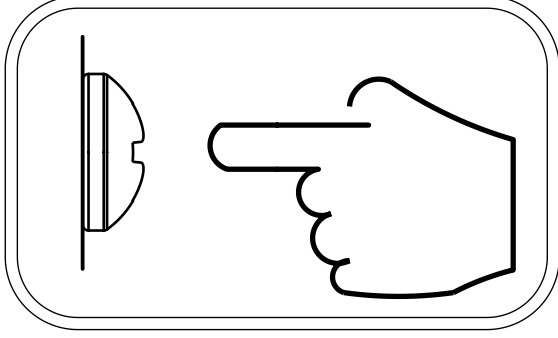
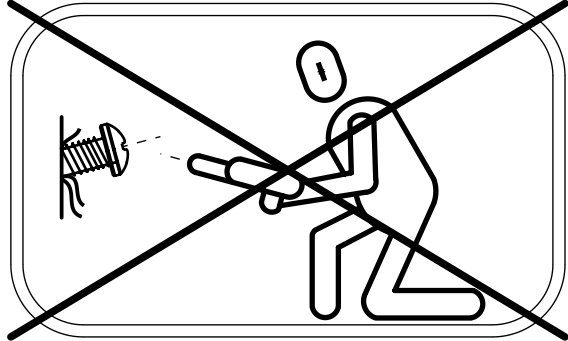
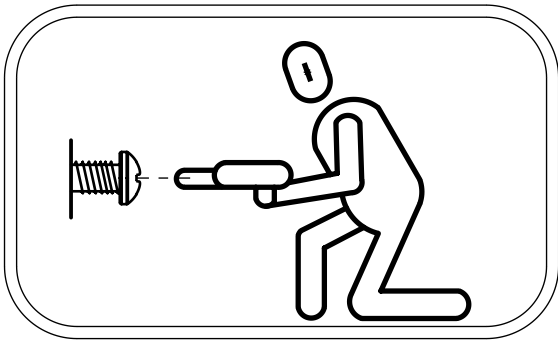
1x **24e029**

2452		2421 C		2421 D		2421 E	
4x	24e007	6x	24e007	6x	24e007	6x	24e007
1x	24e022	1x	24e027	1x	24e027	1x	24e027
1x	24e017	1x	24e017	1x	V003	1x	V003
3x	24e027	1x	24e018	1x	24e018	1x	24e018
1x	V003	1x	V003	1x	27e019	1x	24e019
26x	10x25ikl	1x	24e019	1x	24e012	2x	24e012
26x	10pp	29x	10x25ikl	1x	24e013	1x	24e013
20x	8x25ikl	29x	10pp	1x	24e014	1x	24e021
20x	8pp	40x	8x25ikl	30x	10x25ikl	30x	10x25ikl
20x	8x30ikl	40x	8pp	30x	10pp	30x	10pp
		20x	8x30ikl	1x	24e017	1x	24e017
				40x	8x25ikl	40x	8x25ikl
				40x	8pp	40x	8pp
				20x	8x30ikl	20x	8x30ikl

244129	
1x	24e029

244125	
1x	24e011

244126	
1x	24e011



**2452**

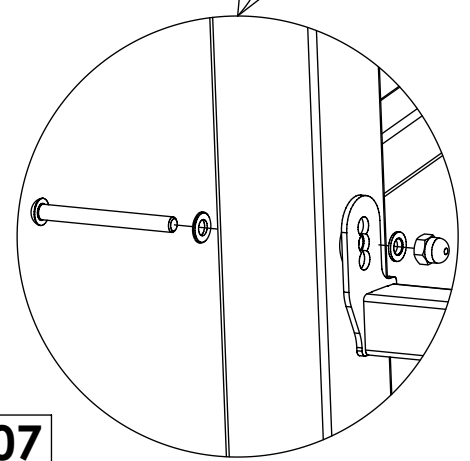
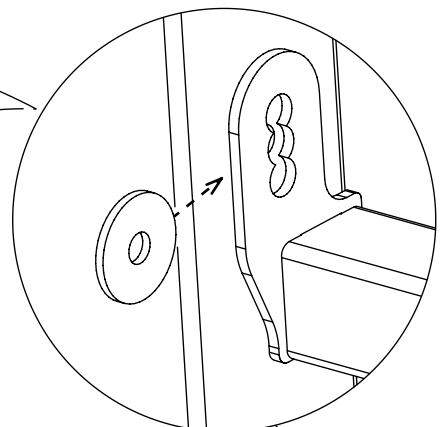
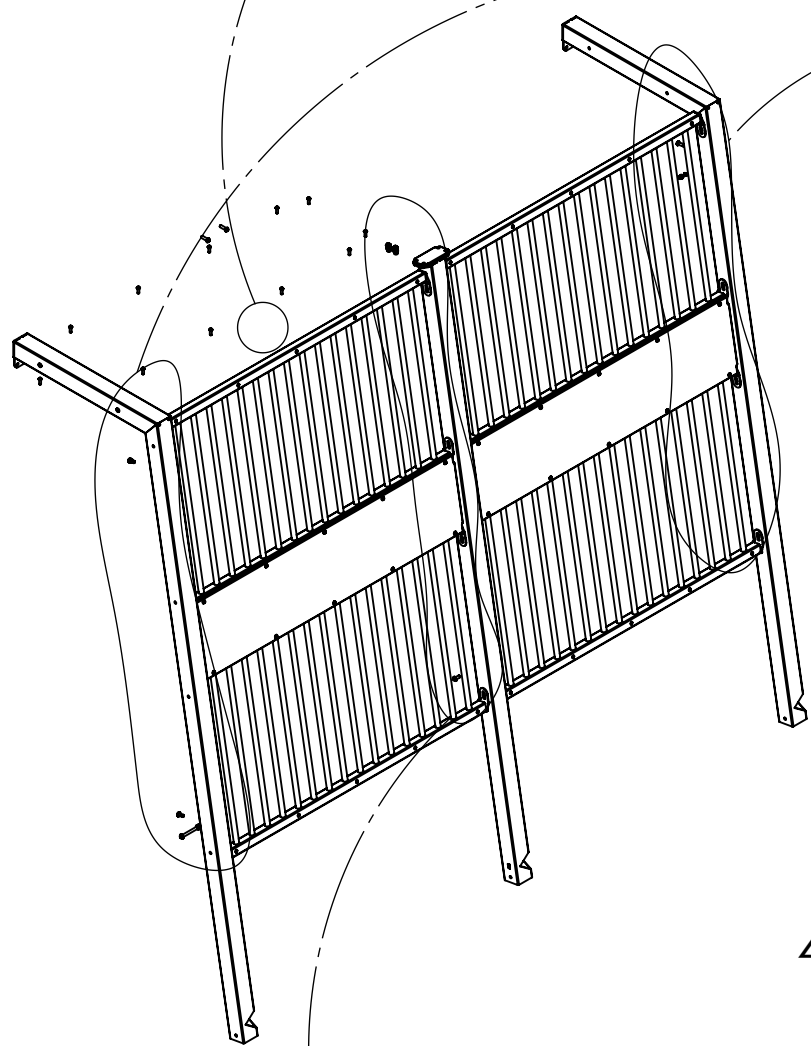
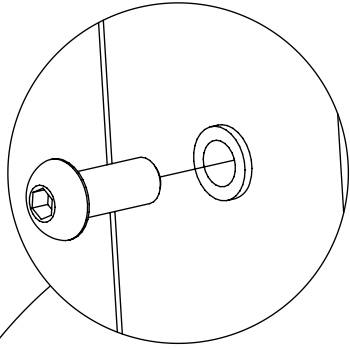
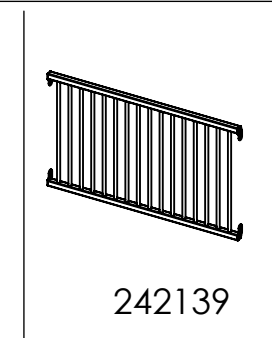
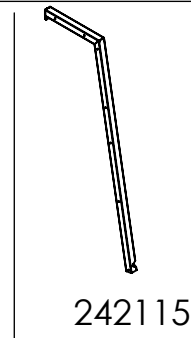
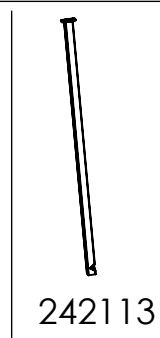
20x **8x25ikl**

**2421 C**

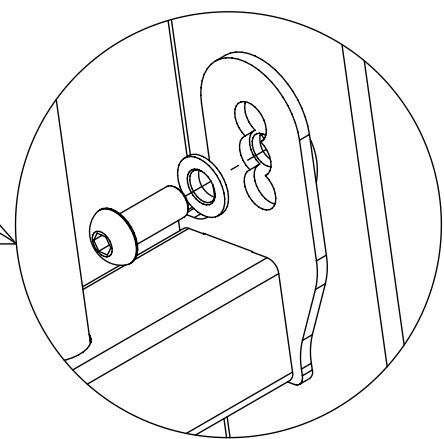
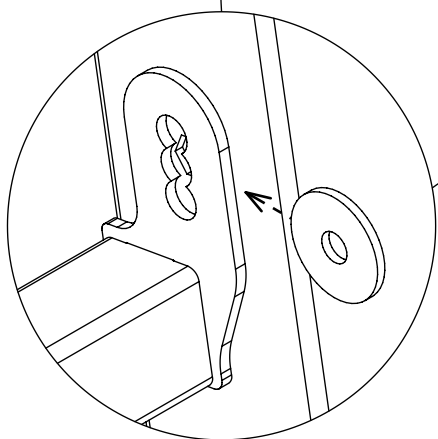
20x **8pp**

**2421 D**

**2421 E**



4x **24e007**

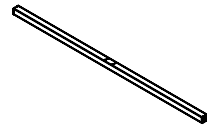


[cm]

vinci  
play

**2452**

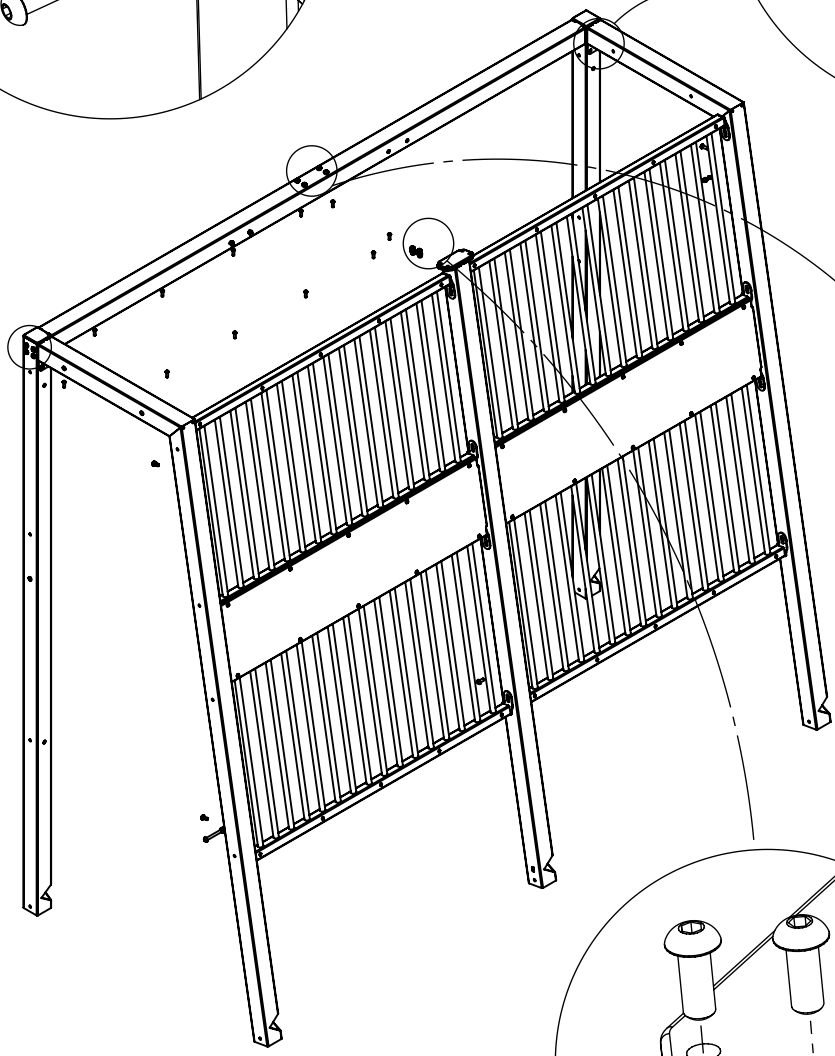
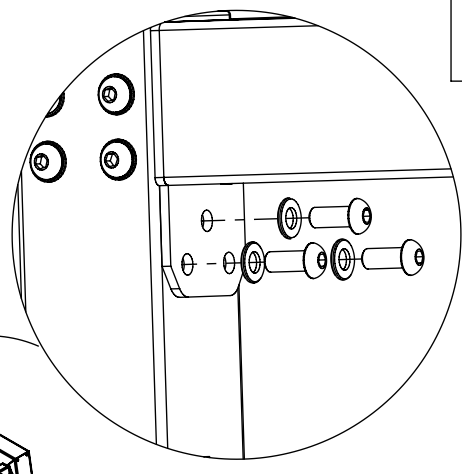
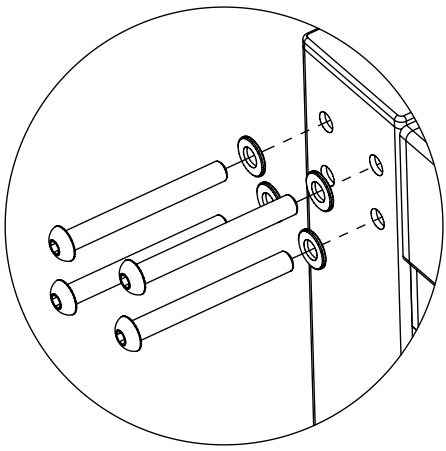
1x **24e017**



242112

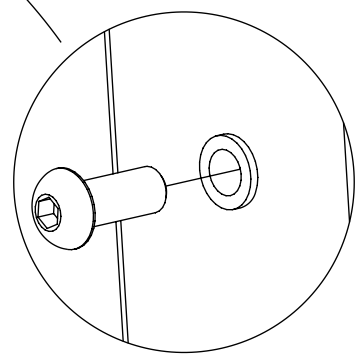


247114



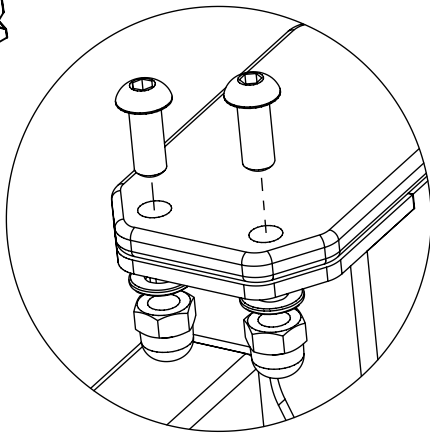
6x **10x25ikl**

6x **10pp**



4x **10x25ikl**

4x **10pp**



1x **24e022**

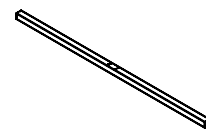
[cm]

vinci  
play

**2421 C**

**2421 D**

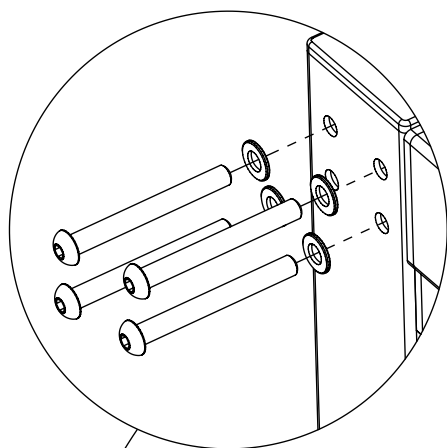
**2421 E**



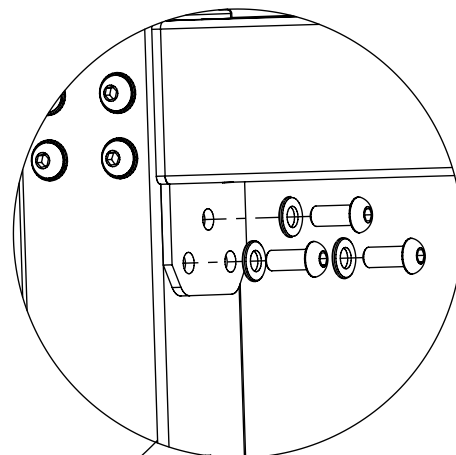
242112



247113

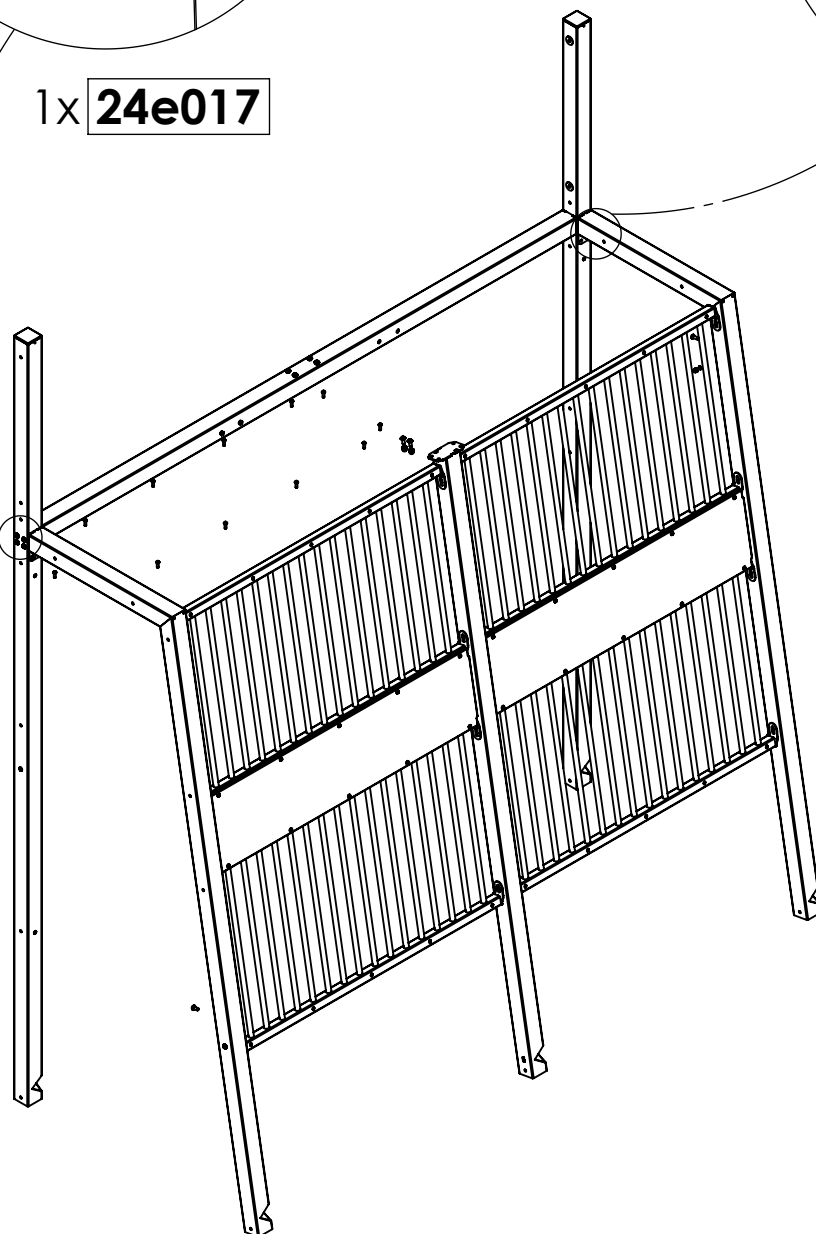


1x **24e017**



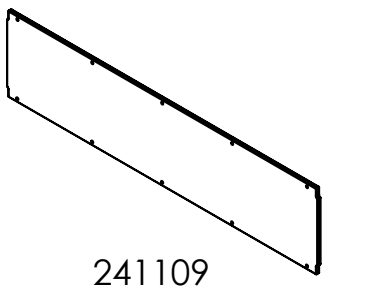
6x **10x25ikl**

6x **10pp**



[cm]

vinci  
play



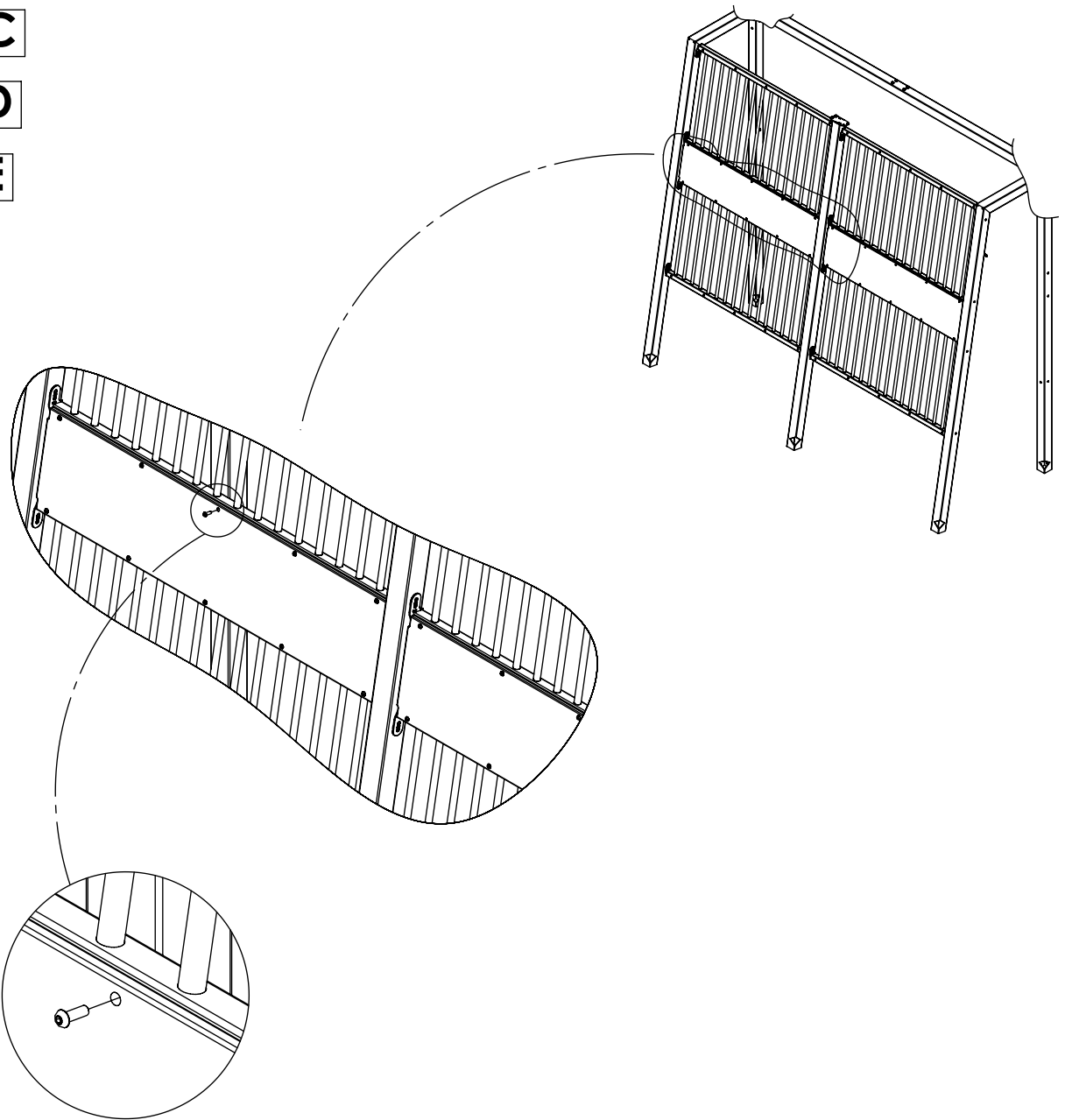
241109

**2452**

**2421 C**

**2421 D**

**2421 E**

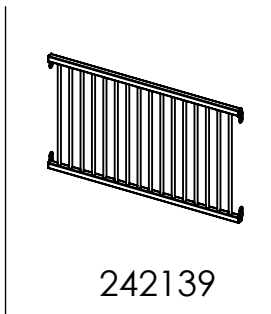
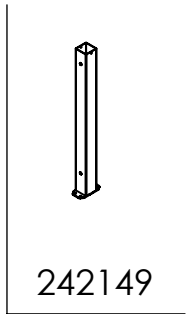
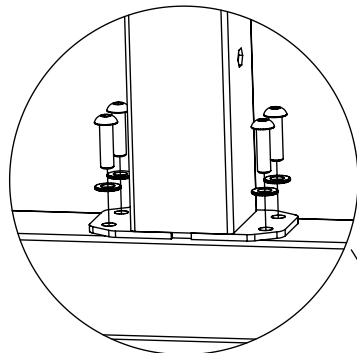


20x **8x30iki**

[cm]

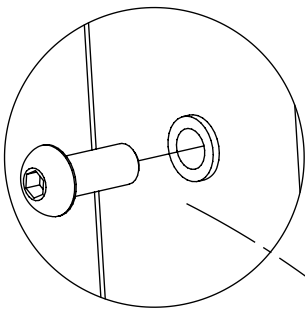
vinci  
play

# 2421 C



242149

242139

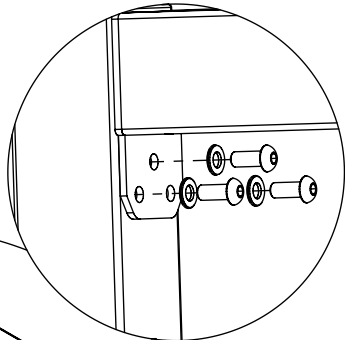


4x **10x25ikl**

4x **10pp**

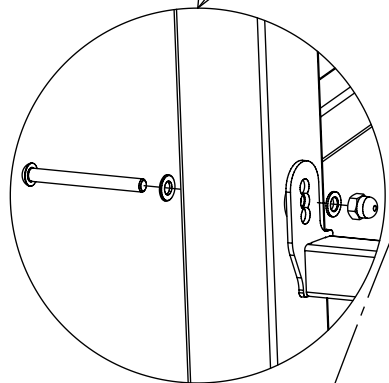
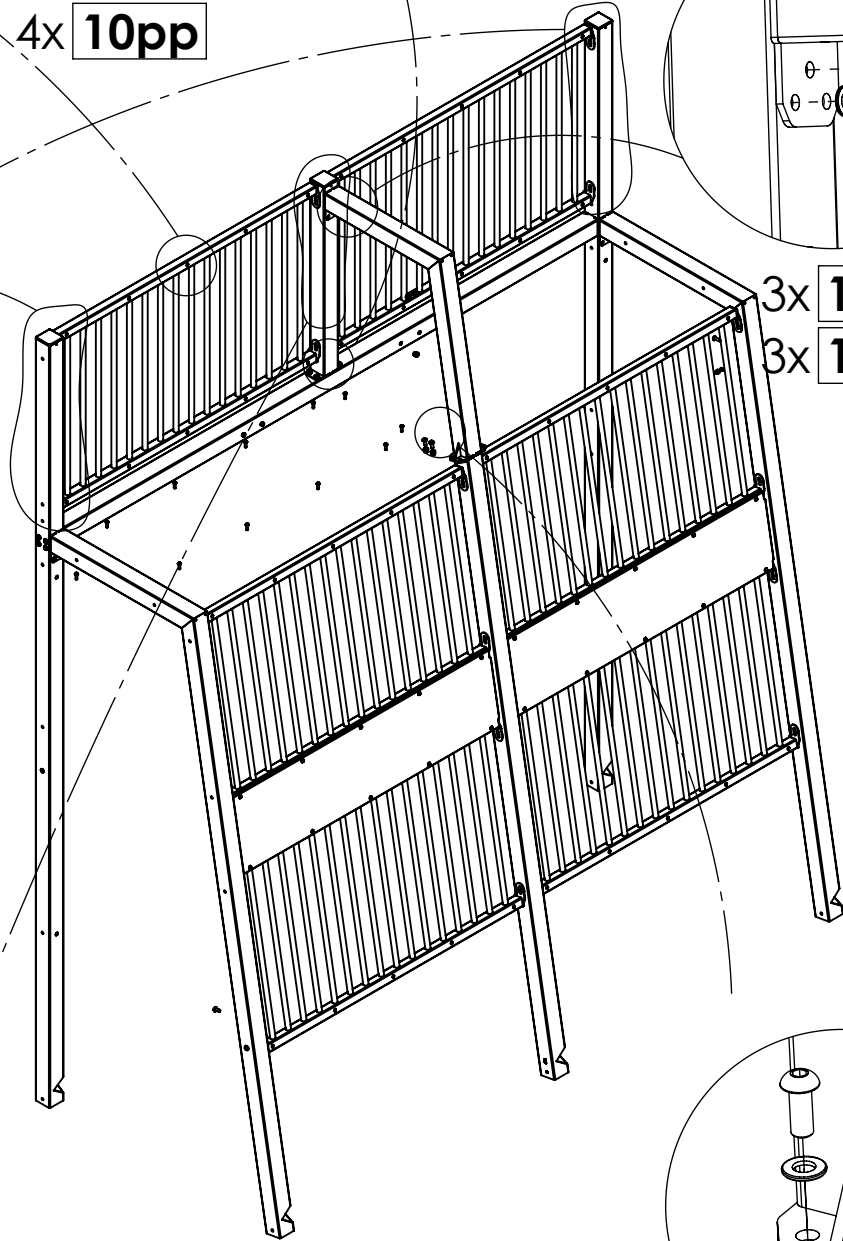
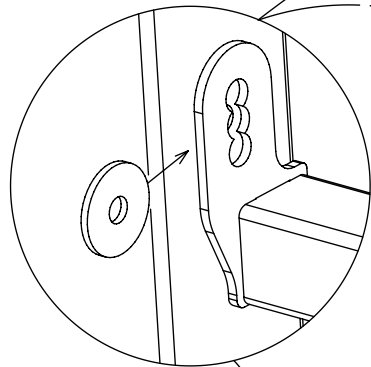
40x **8x25ikl**

40x **8pp**

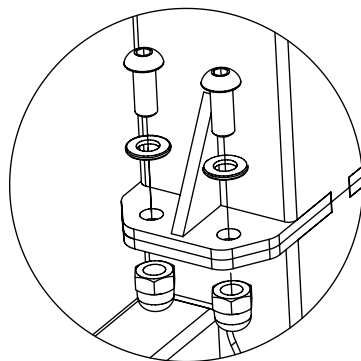


3x **10x25ikl**

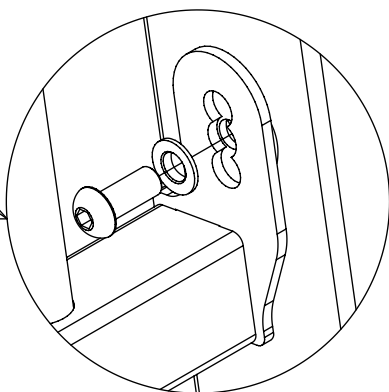
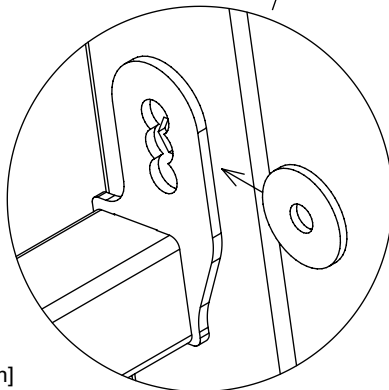
3x **10pp**



2x **24e007**



1x **24e018**

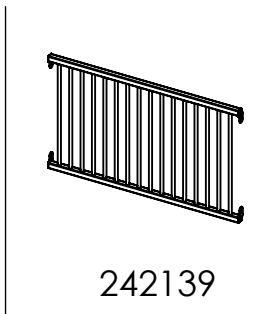
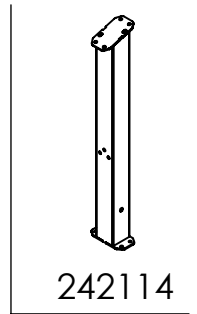
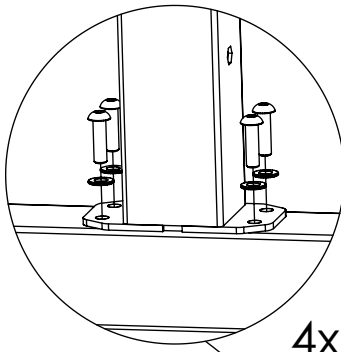
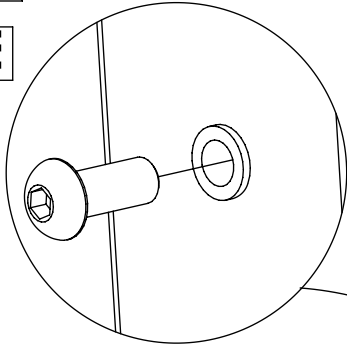


[cm]

vinci  
play

**2421 D**

**2421 E**



242114

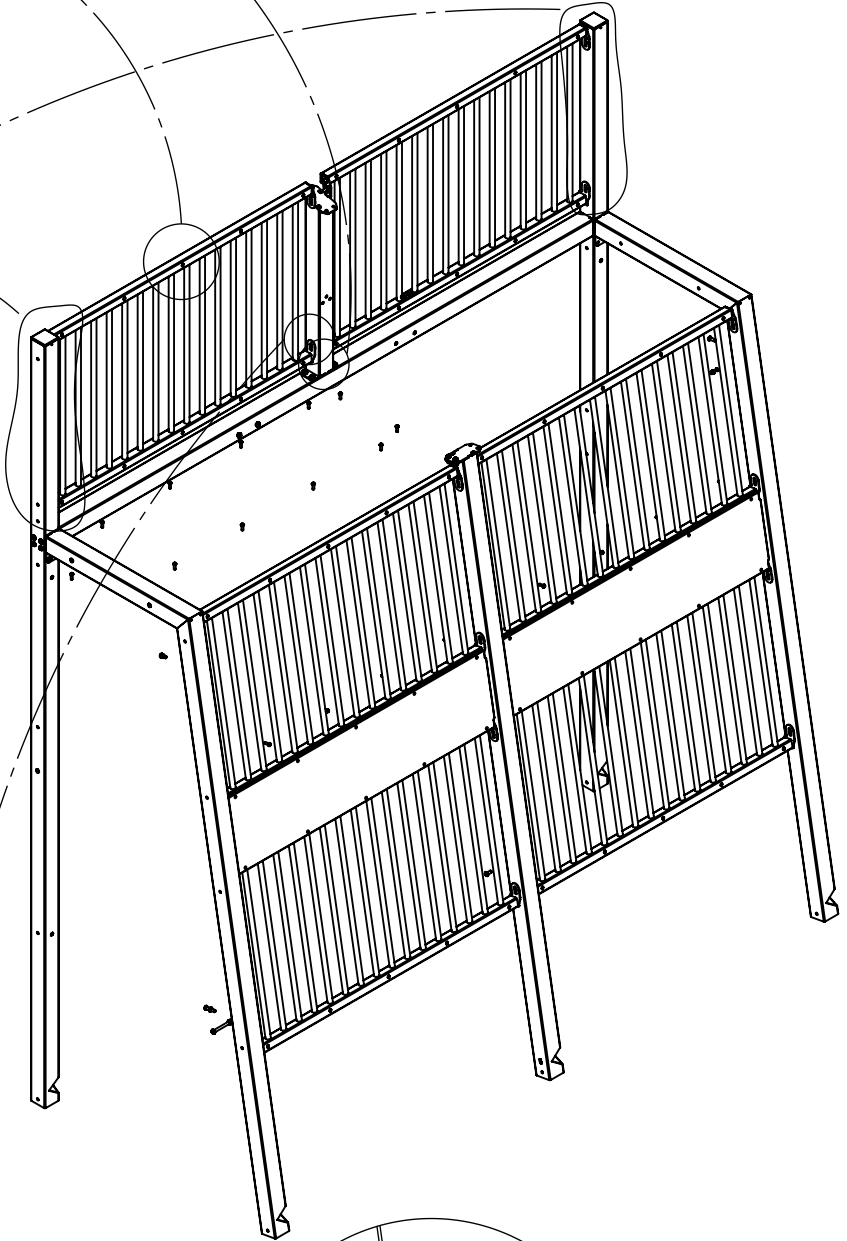
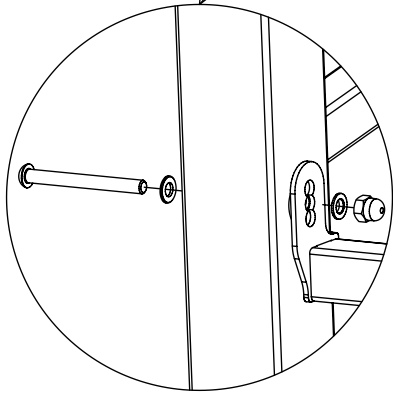
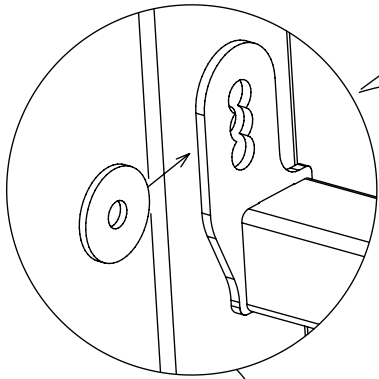
242139

4x **10x25ikl**

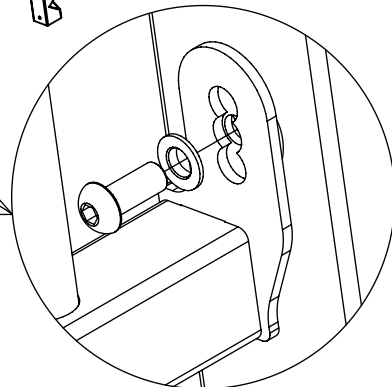
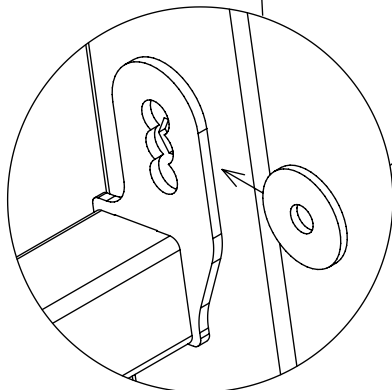
4x **10pp**

40x **8x25ikl**

40x **8pp**



2x **24e007**



[cm]

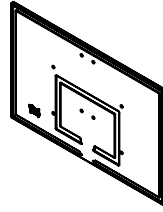
vinci  
play

**2421 D**

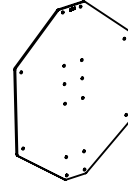
**2421 E**



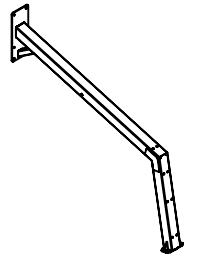
206100



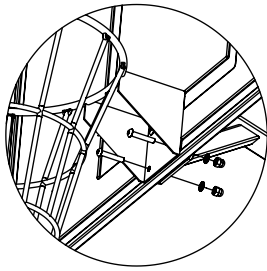
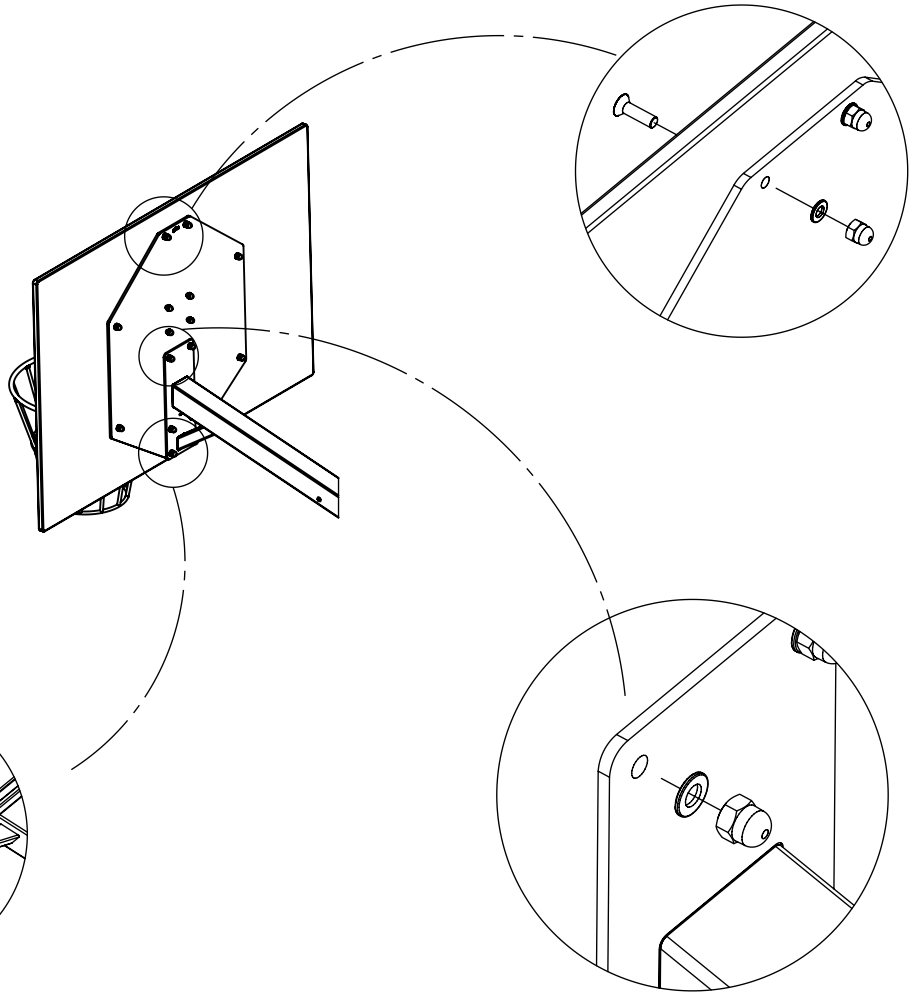
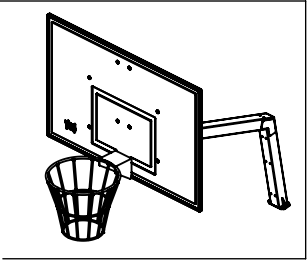
241104



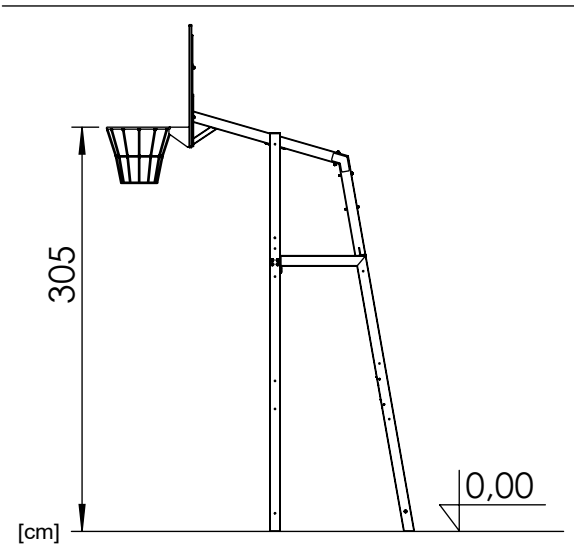
b799



242111



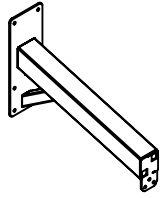
1x **24e012**



vinci  
play

**2421 D**

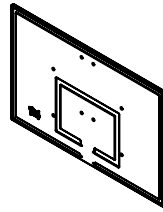
**2421 E**



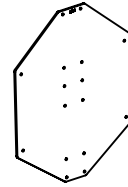
242114



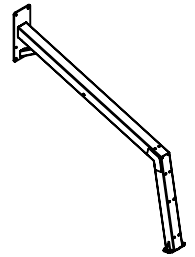
206100



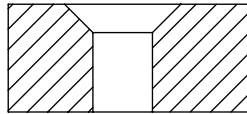
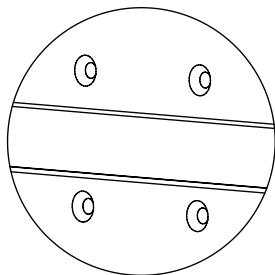
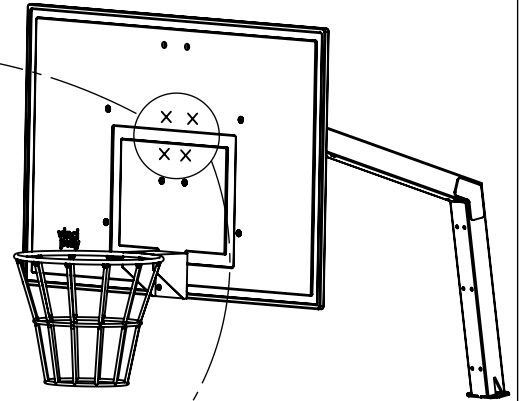
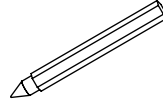
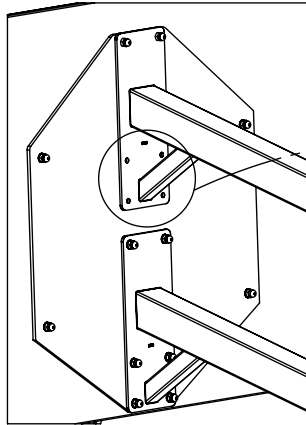
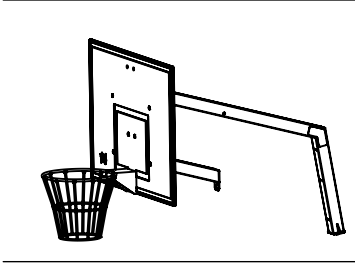
241104



b799



242111

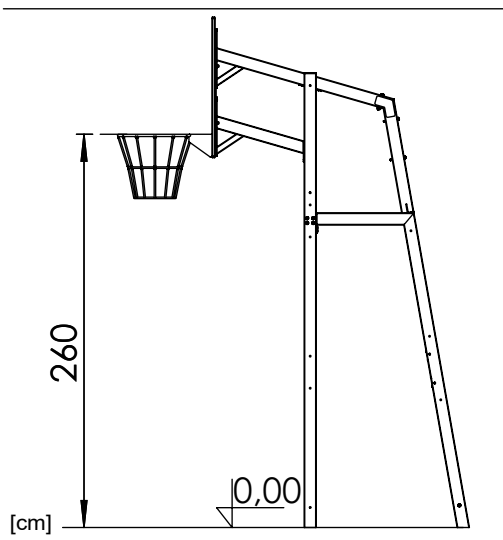


1x **24e013**

Ø 11 mm



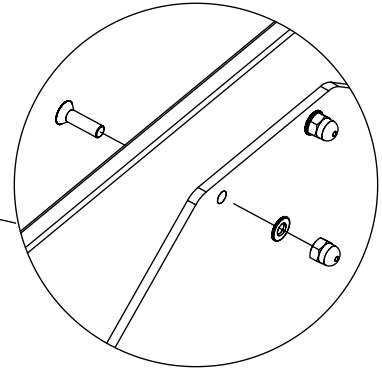
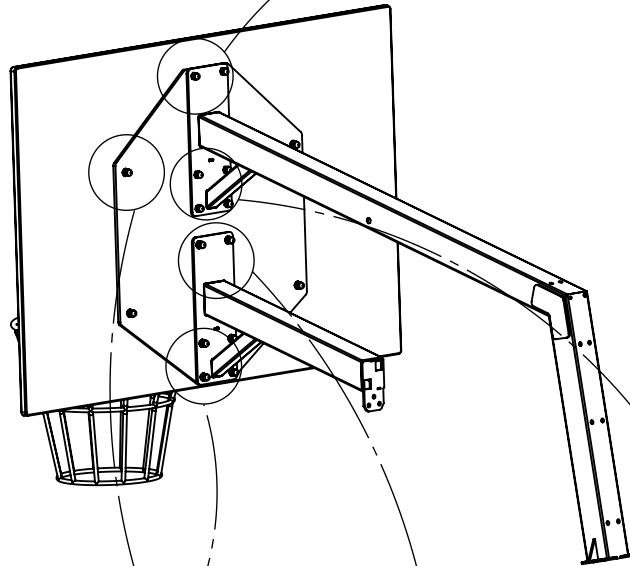
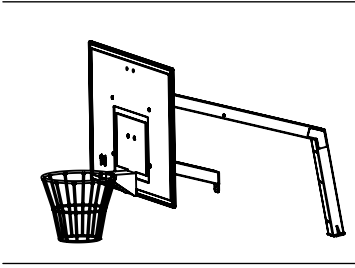
**NOT INCLUDED**



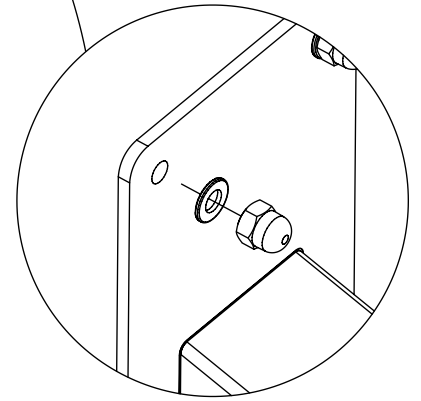
vinci  
play

**2421 D**

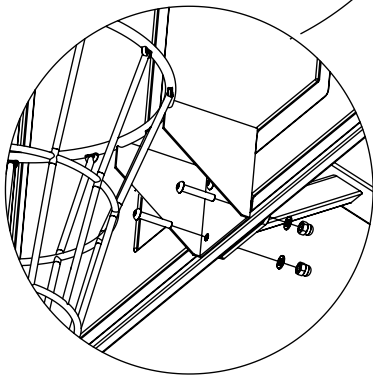
**2421 E**



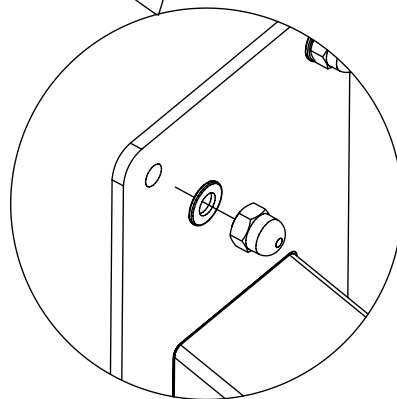
**24e013**



**24e013**



**24e012**



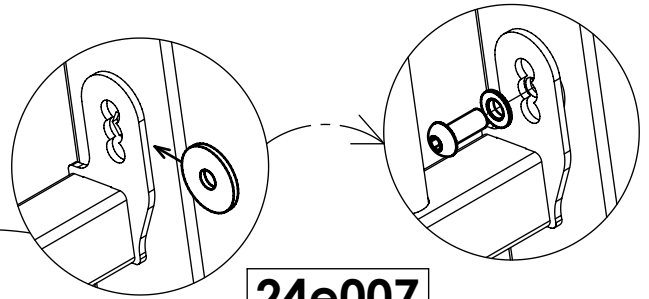
**24e012**

[cm]

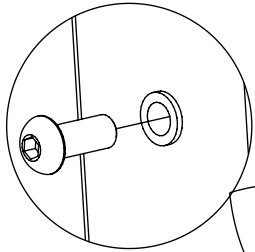
vinci  
play

**2421 D**

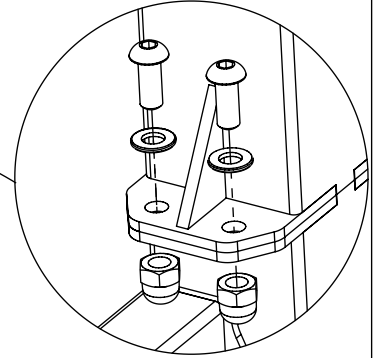
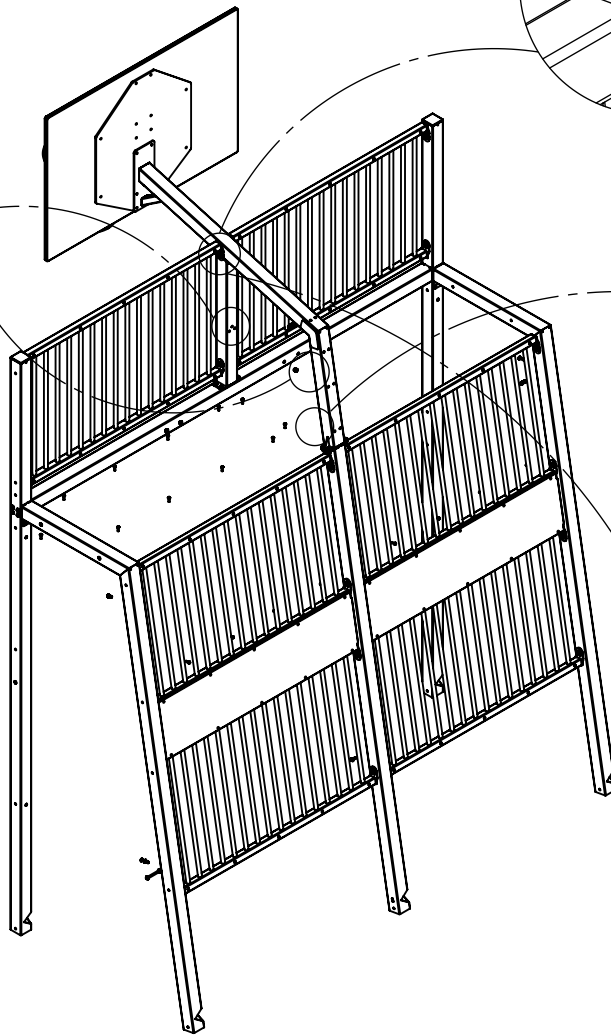
**2421 E**



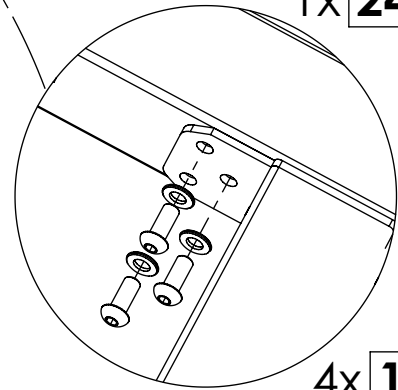
**24e007**



**24e014**

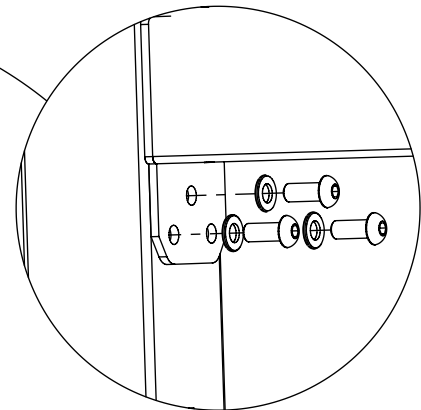
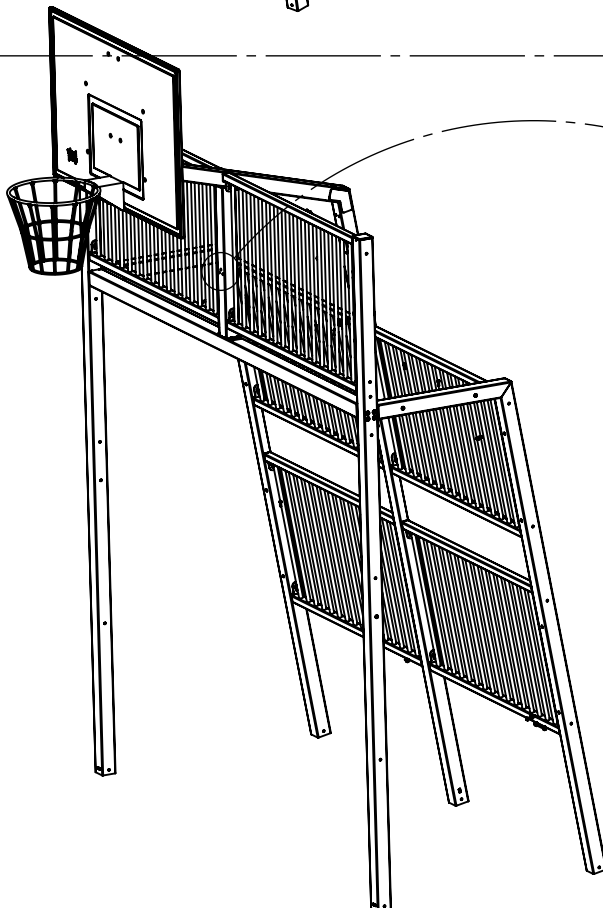


1x **24e018**



4x **10pp**

4x **10x25ikl**

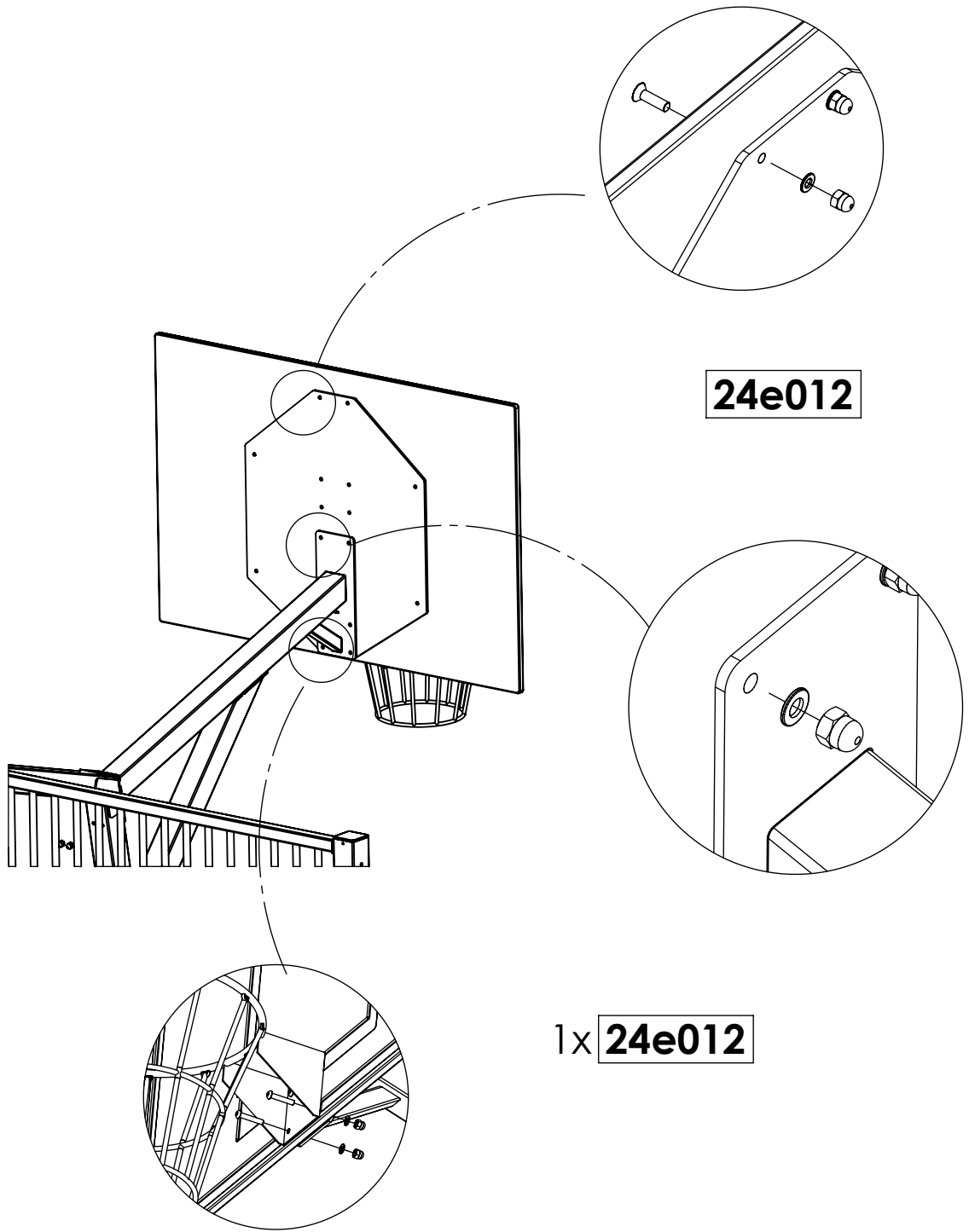


**24e013**

[cm]

vinci  
play

**2421 E**



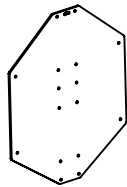
**24e012**

1x **24e012**

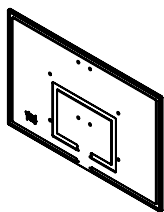
[cm]

vinci  
play

**2421 E**



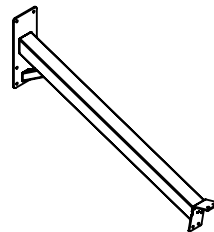
b799



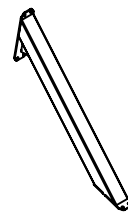
241104



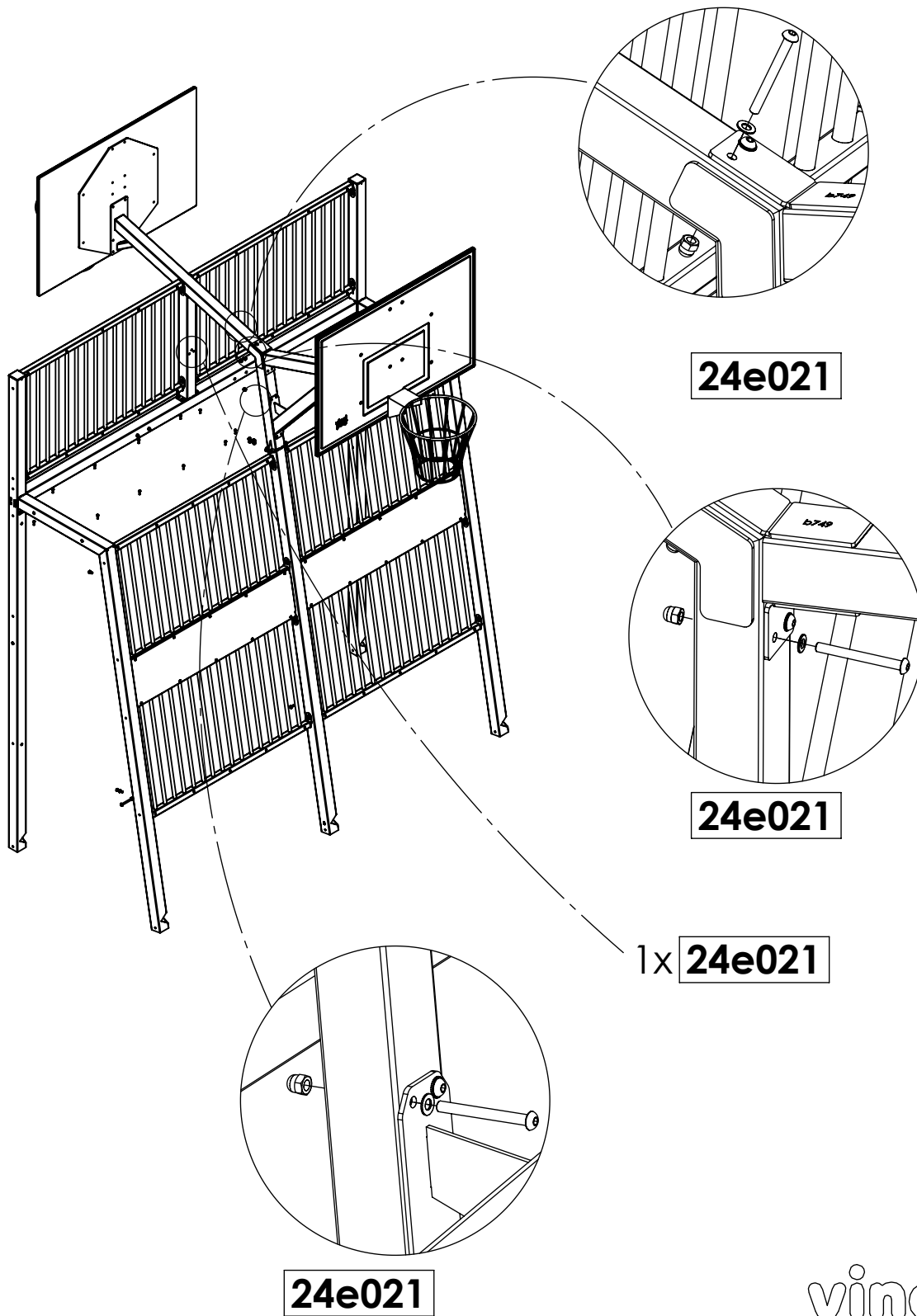
206100



242124



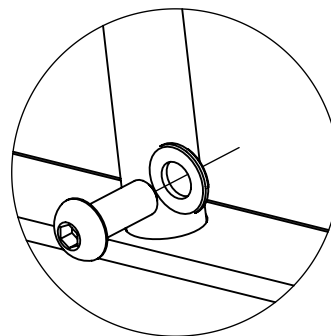
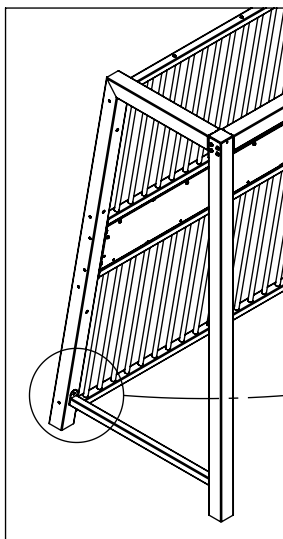
242125



[cm]

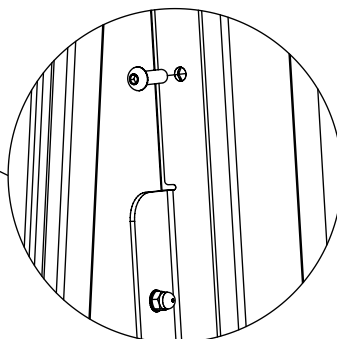
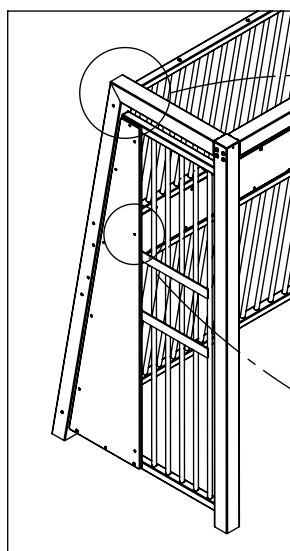
vinci  
play

**2x**

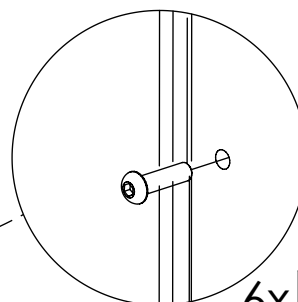


6x **10x25ikl**

6x **10pp**

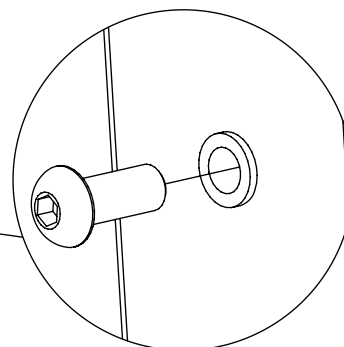
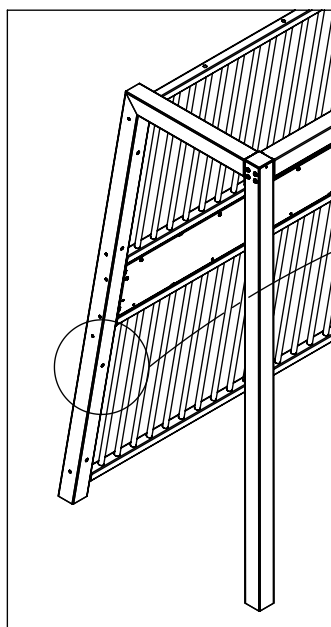


1x **24e011**



6x **10x25ikl**

6x **10pp**



6x **10x25ikl**

6x **10pp**

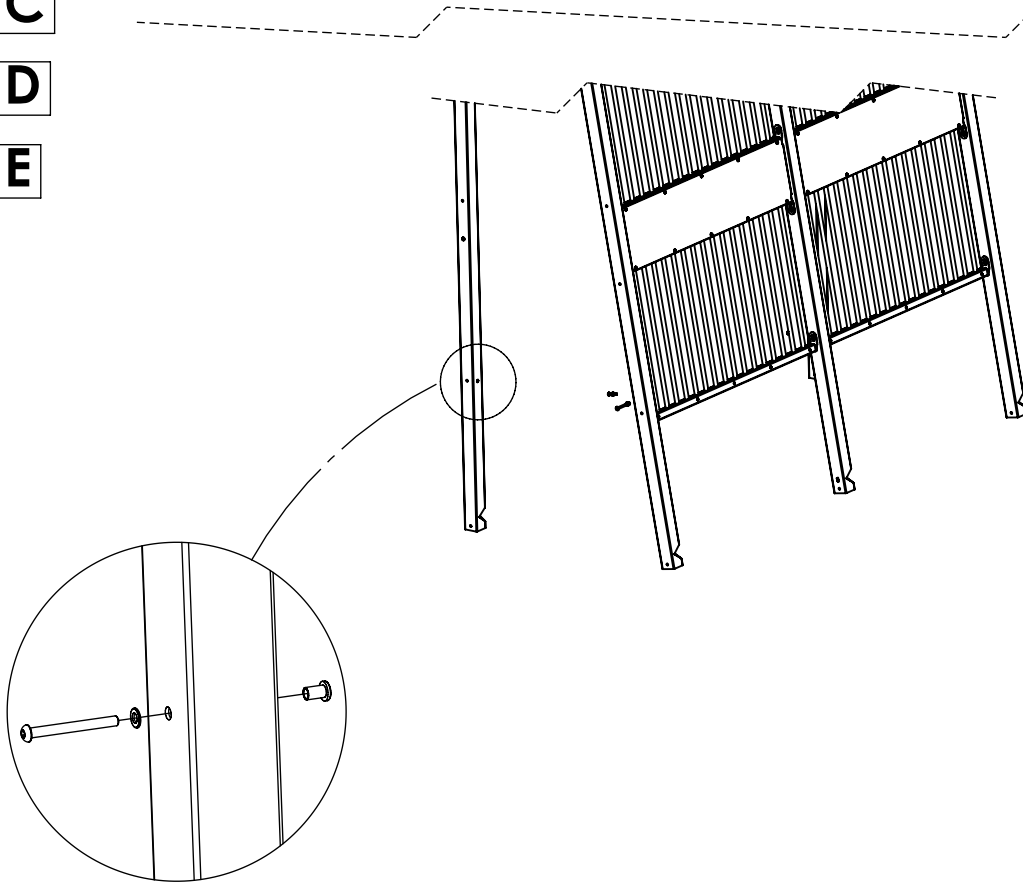
[cm]

vinci  
play

**2421 C**

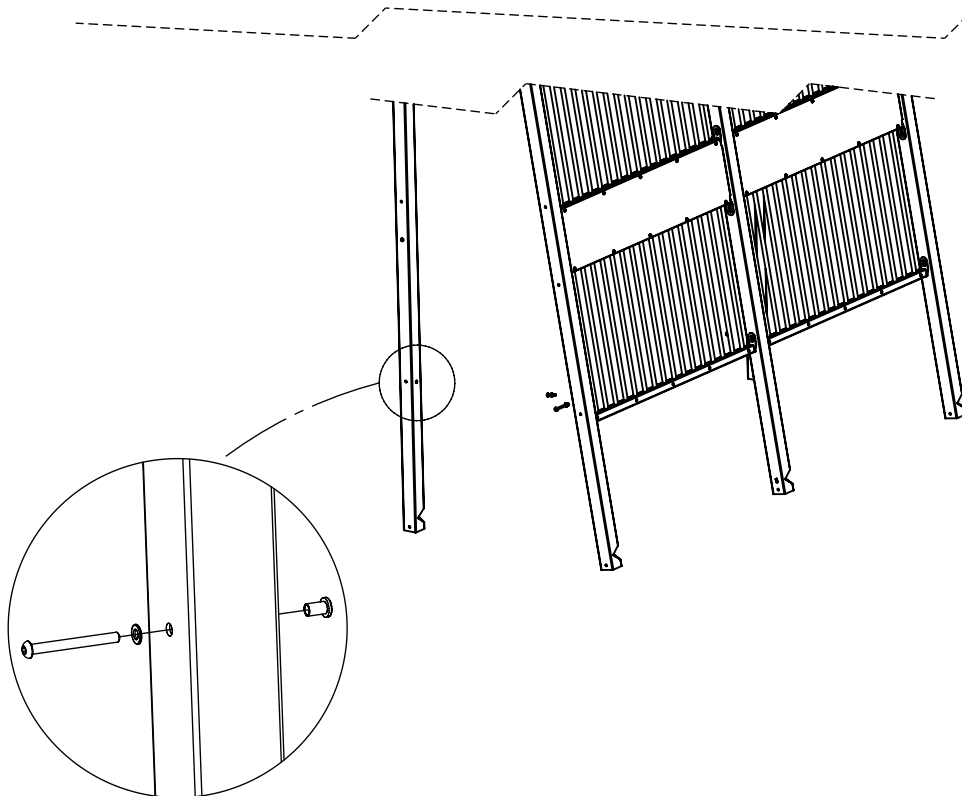
**2421 D**

**2421 E**



1x **24e019**

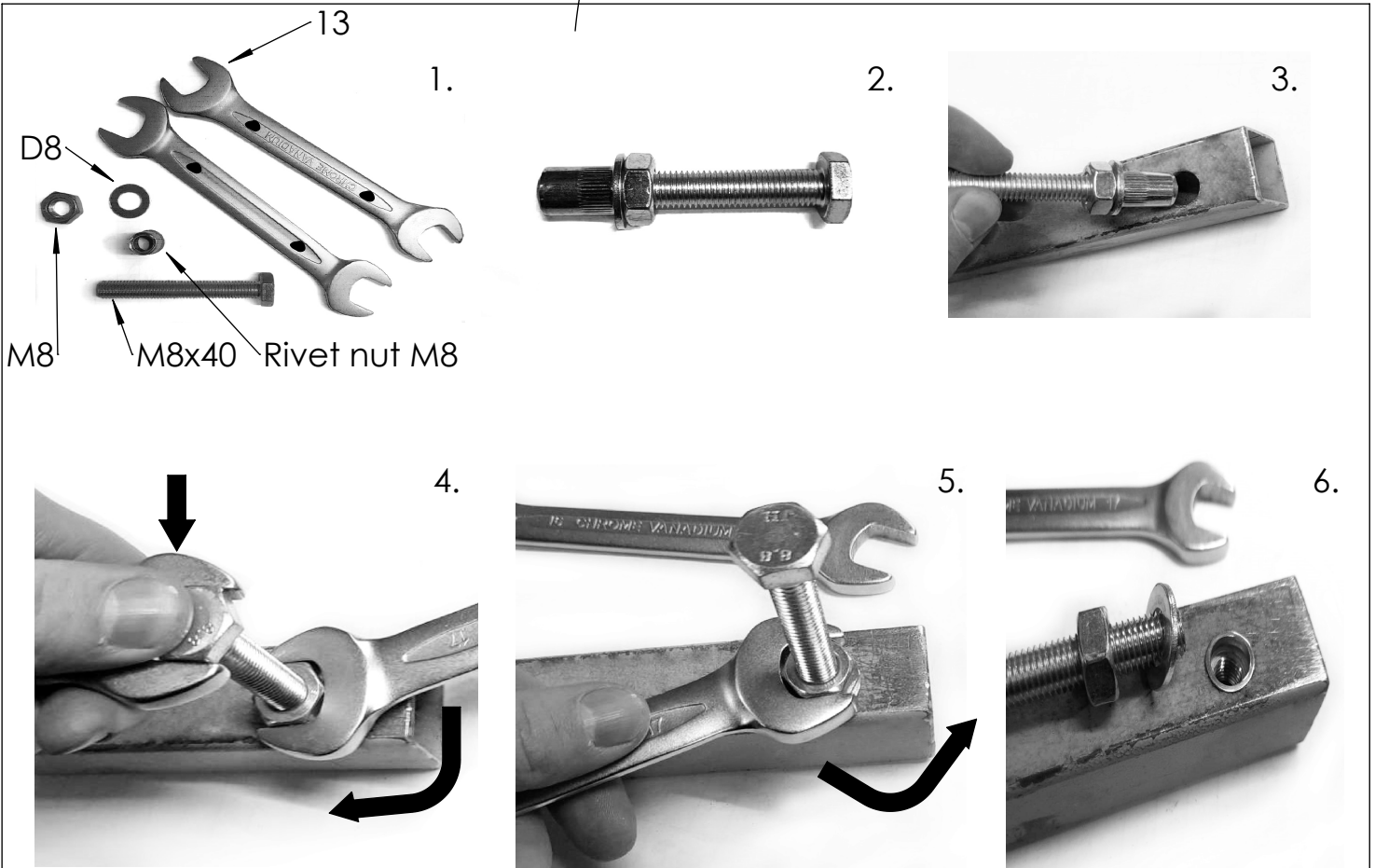
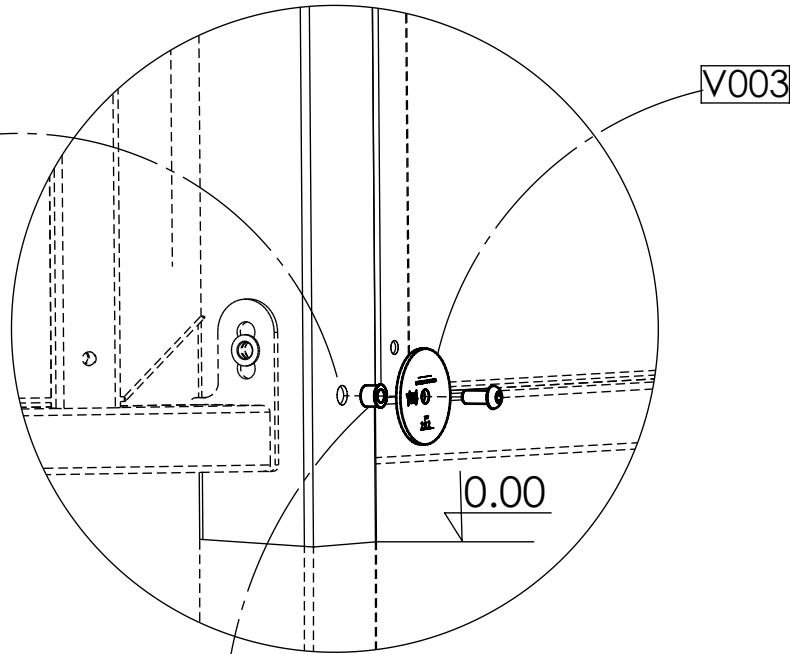
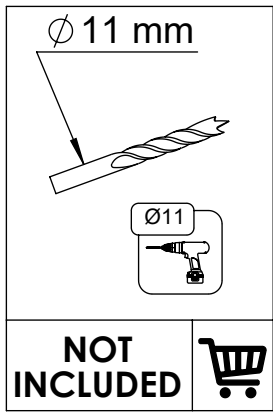
**2452**



2x **24e027**

[cm]

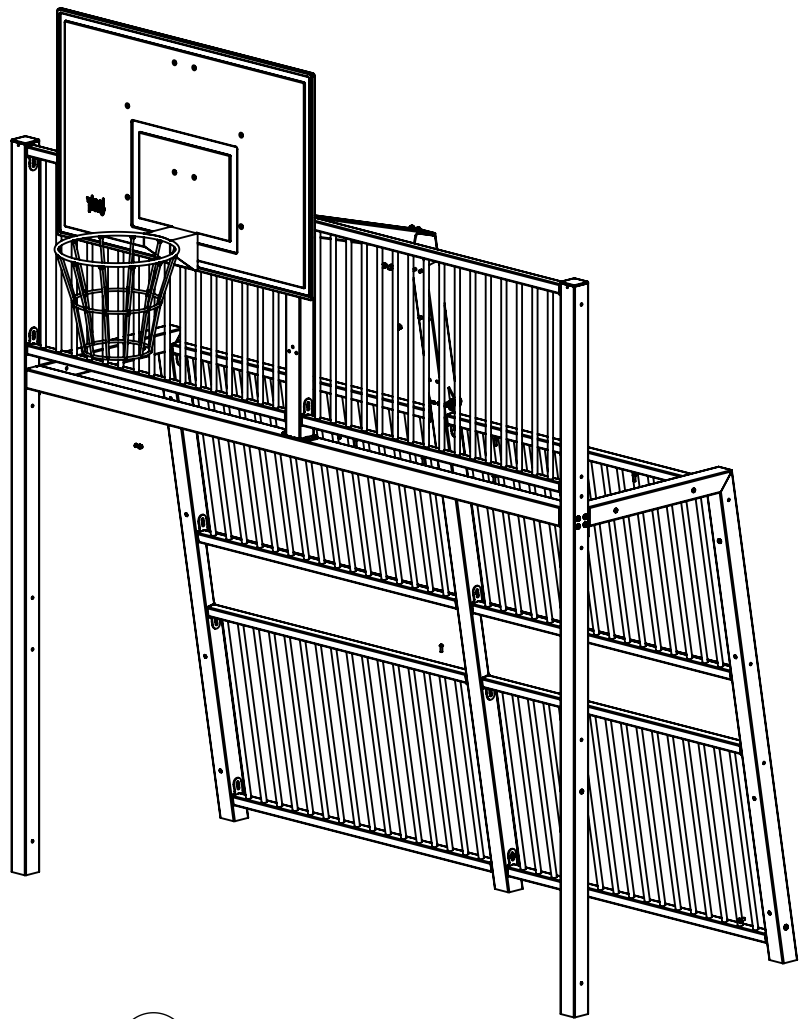
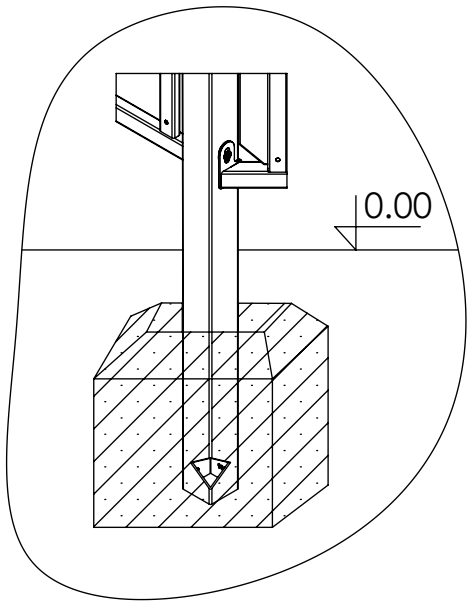
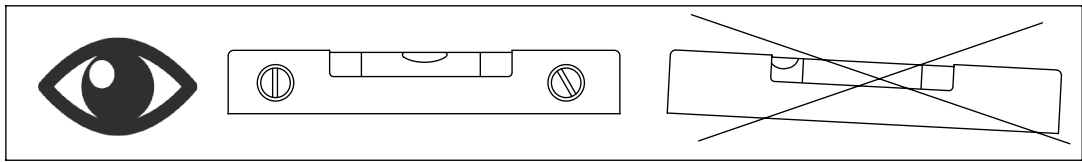
vinci  
play



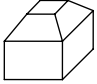
Keep the head of the screw still (it can not rotate!)  
 - then by using short wrench - rotate/screw only  
 the bottom part of solution - the nur. Attention!  
 - do not put much power for this operation  
 (otherwise the rivet nut will be damaged!).  
 The difference between screw head and the  
 nut should change from 3mm to 8mm

After that unscrew screws

Final effect



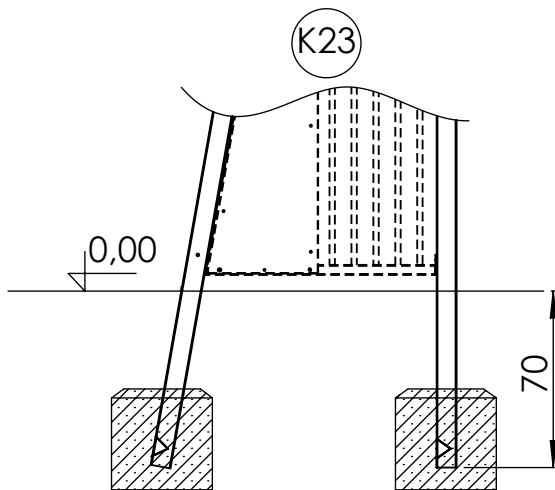
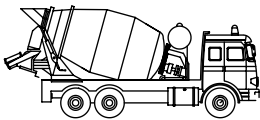
K23




x5

>0,06m<sup>3</sup>


48h



Part No:  
000000-  
00000



000000-00000



[cm]

vinci  
play