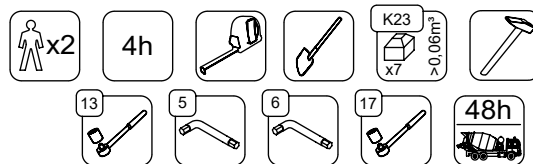
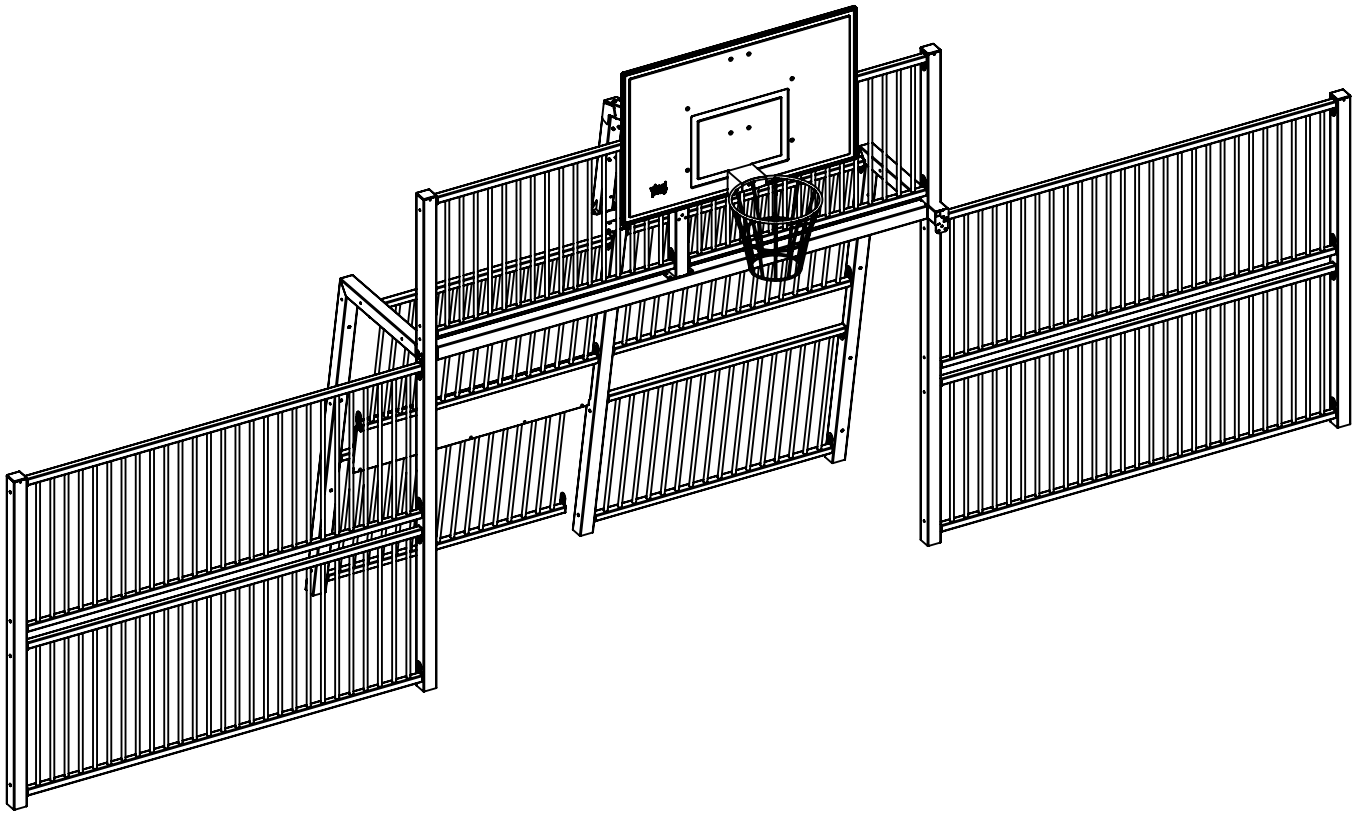
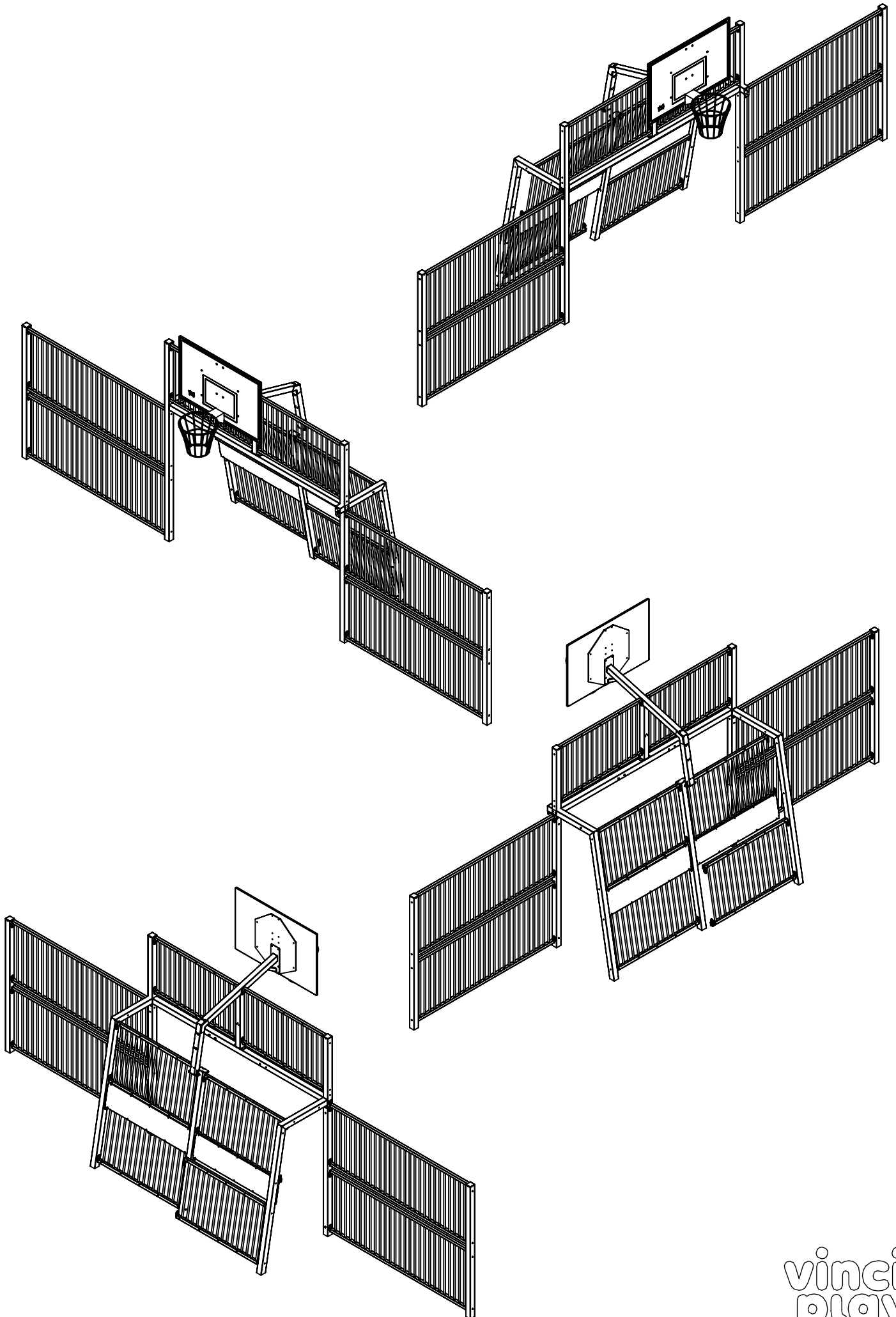


# 2422



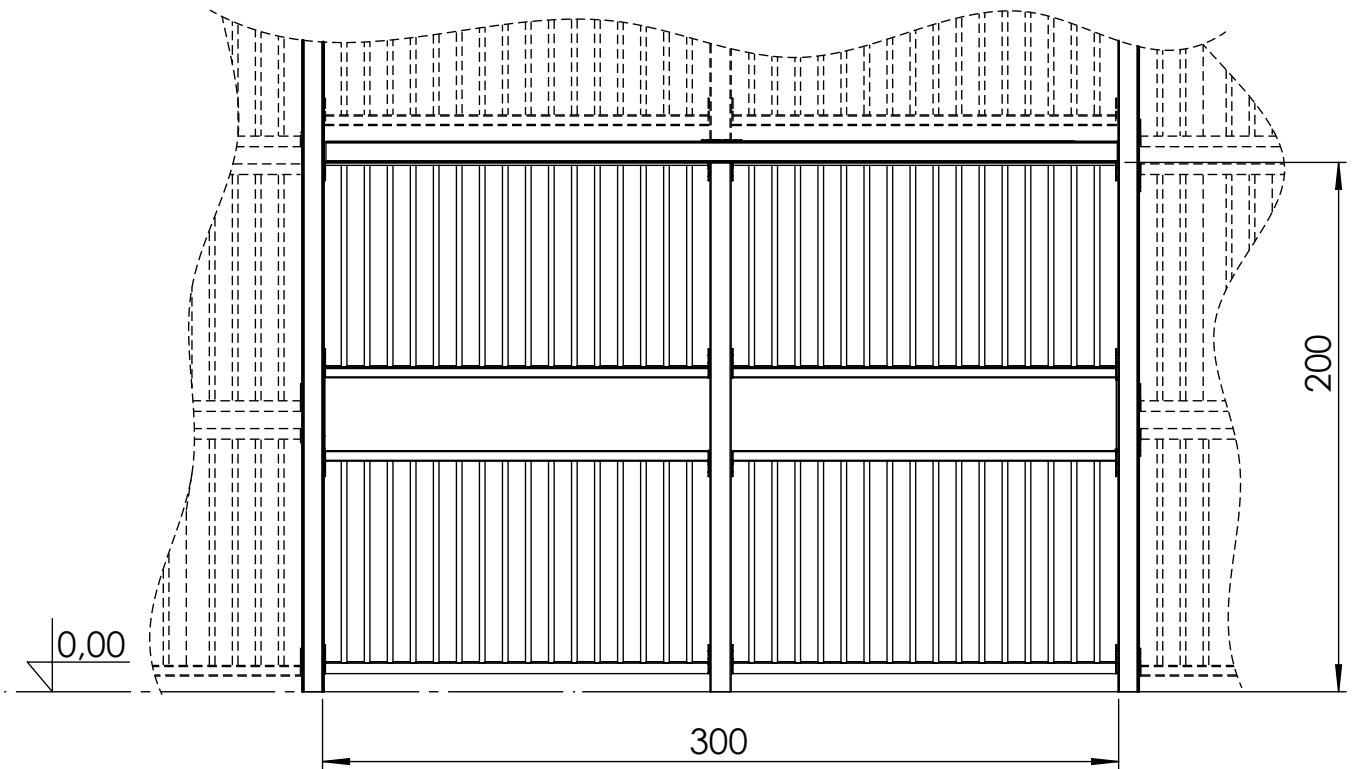
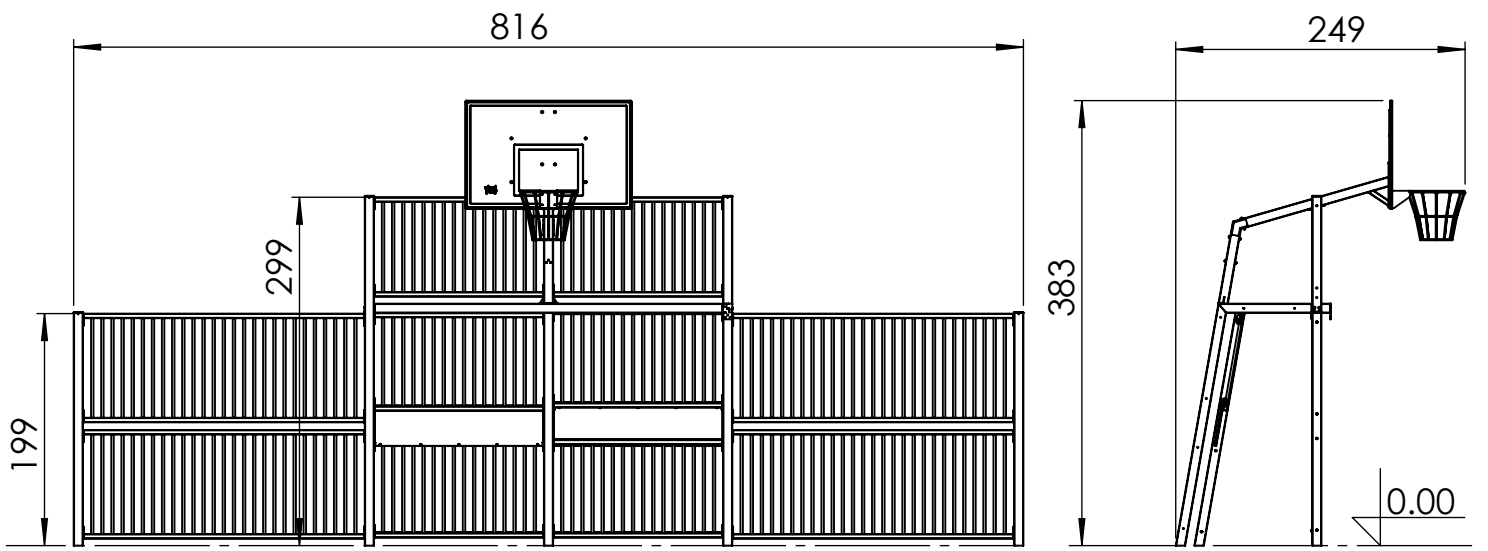
v011  
30.01.2025  
I.A.  
[cm]

vinci  
play



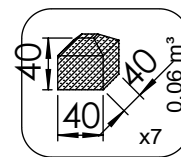
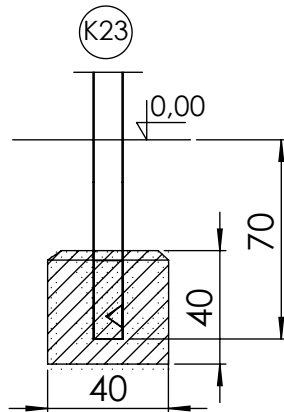
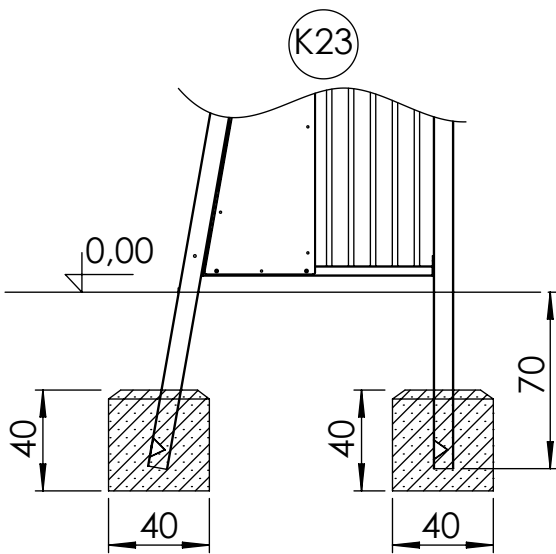
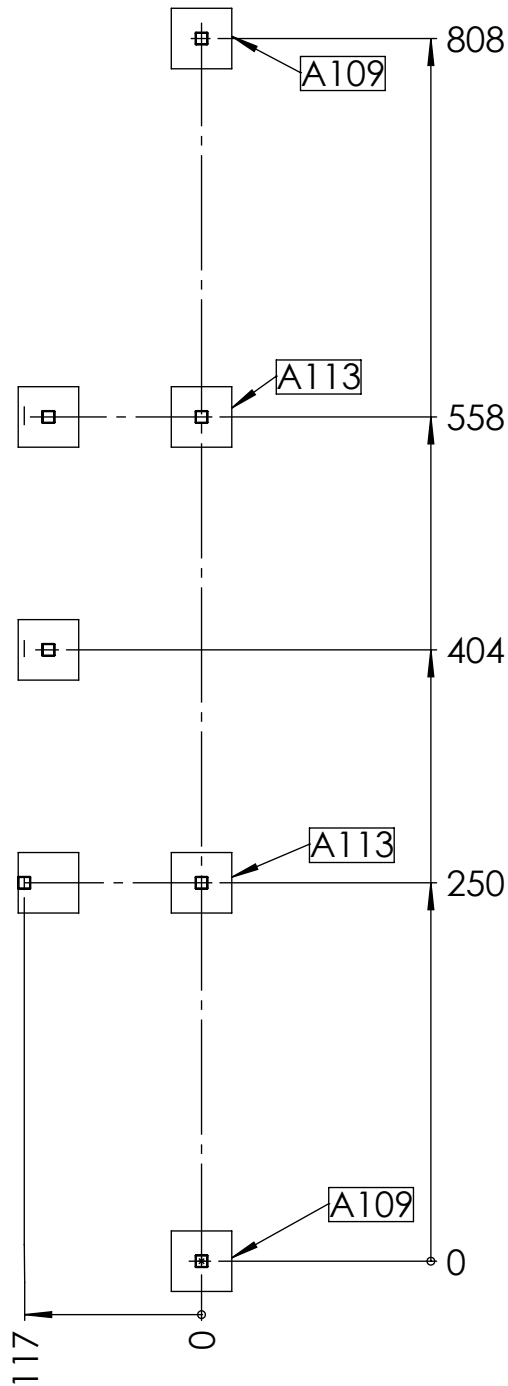
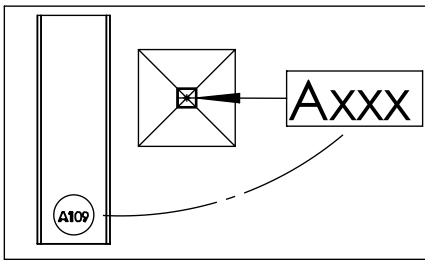
[cm]

vinci  
play



[cm]

vinci  
play

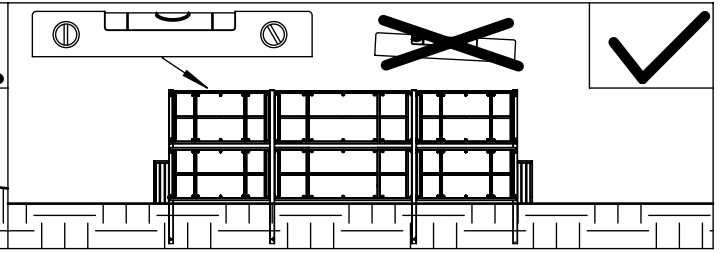
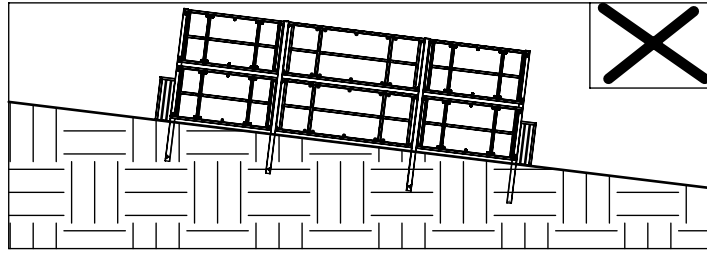
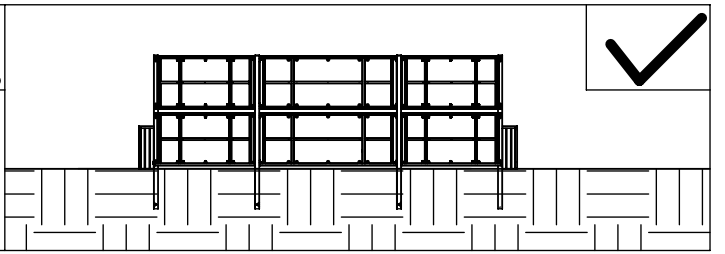
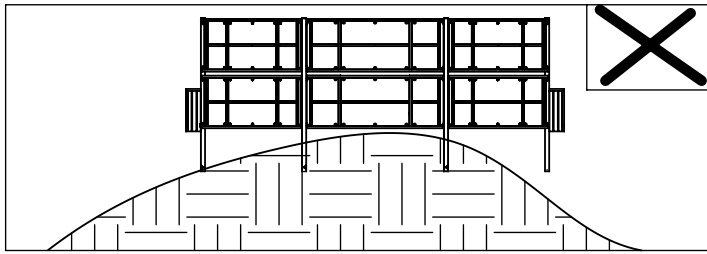


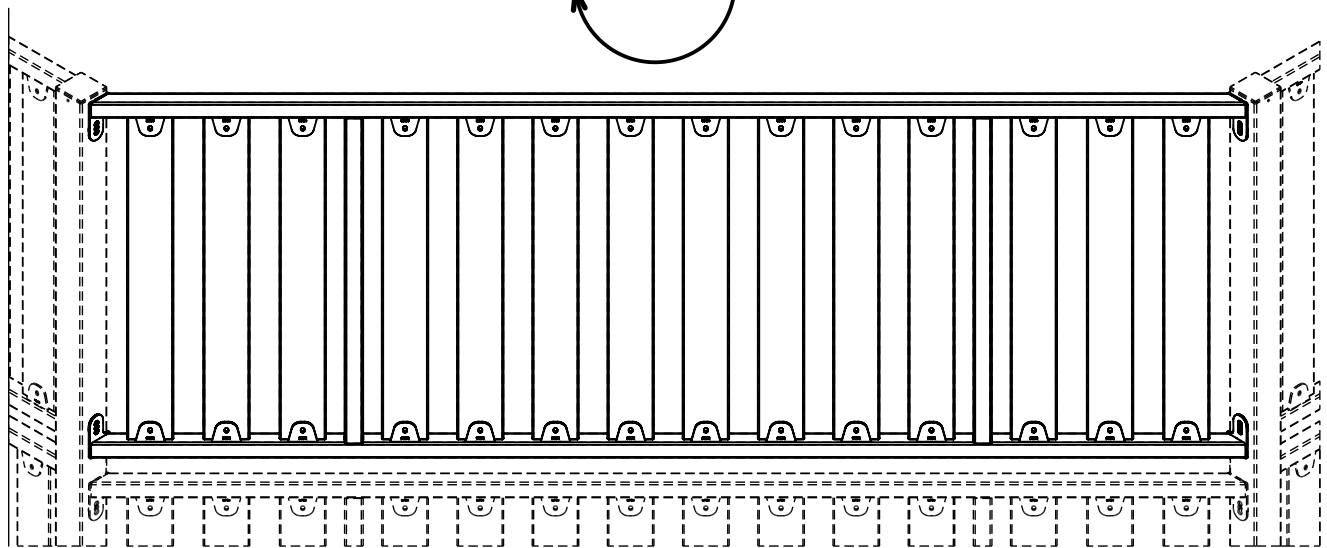
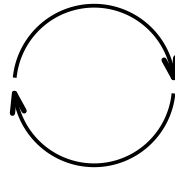
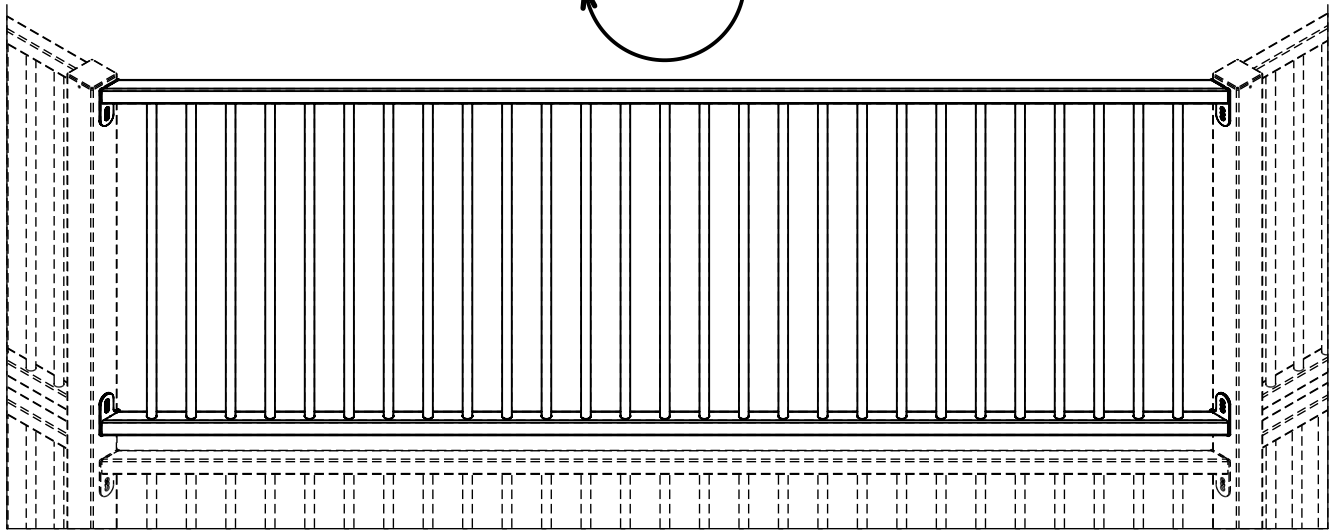
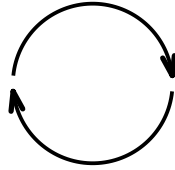
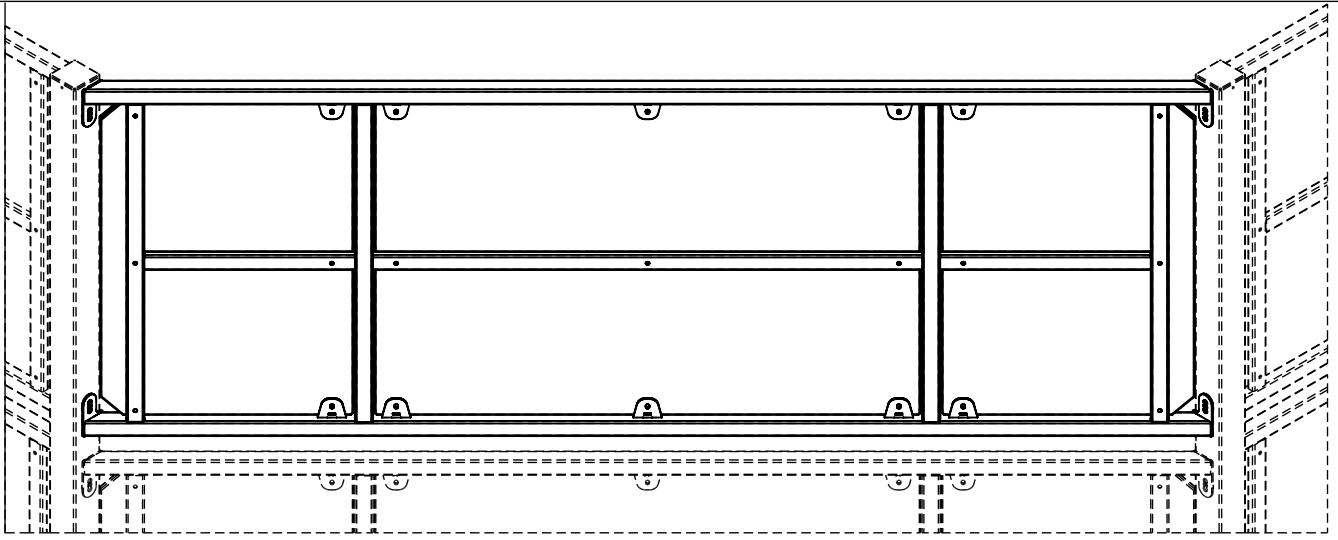
4h

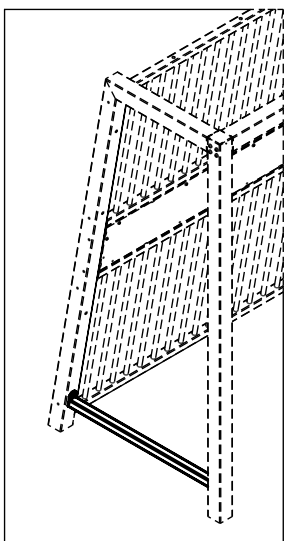
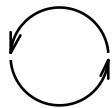
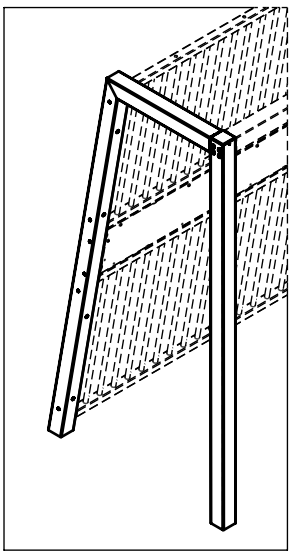


[cm]

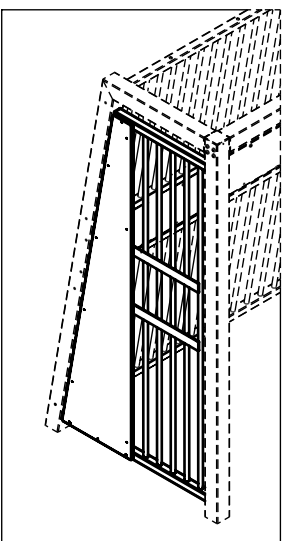
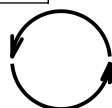
vinci  
play



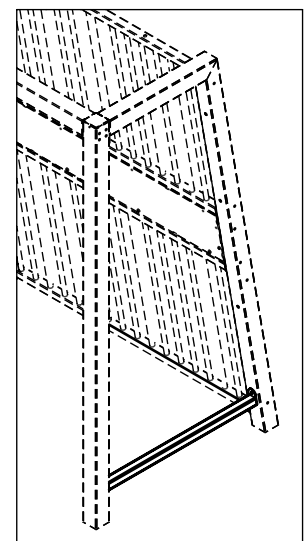
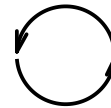
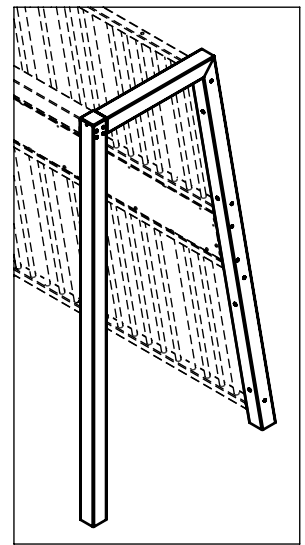
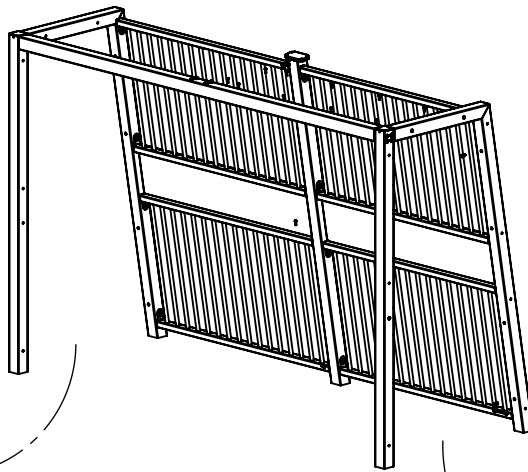




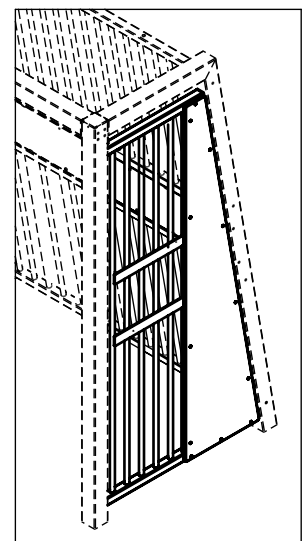
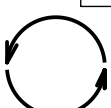
242123



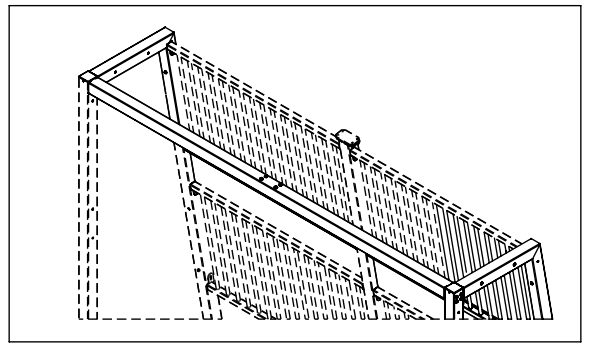
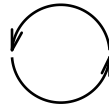
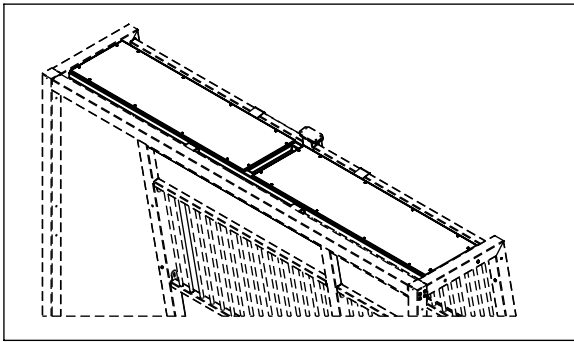
244126



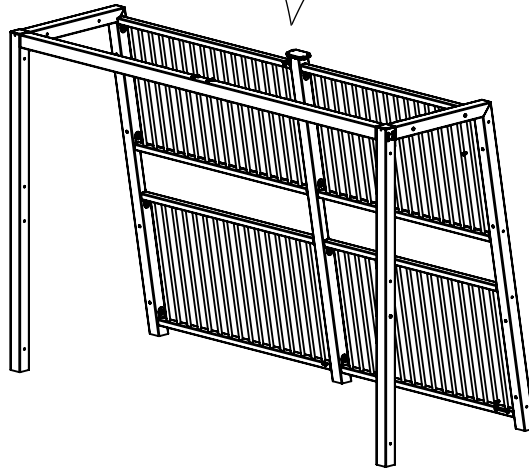
242123



244125

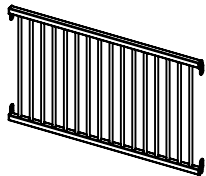


244129

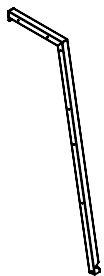


[cm]

vinci  
play



242139  
x6



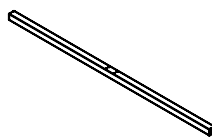
242115  
x2



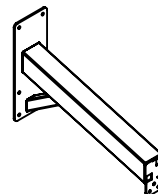
242113  
x1



A113  
x2



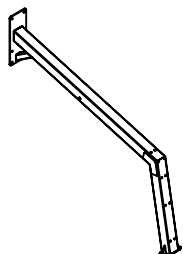
242112  
x1



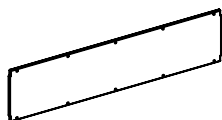
242147  
x1



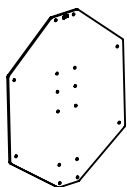
242114  
x1



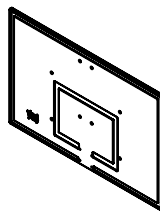
242111  
x1



241109  
x2



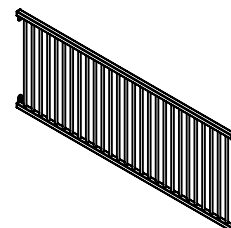
b799  
x1



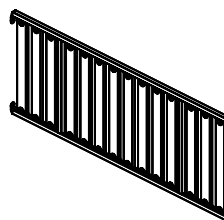
241104  
x1



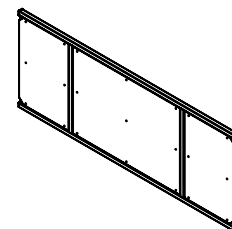
206100  
x1



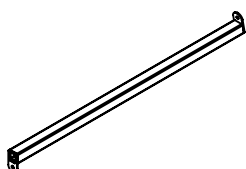
242100  
x4



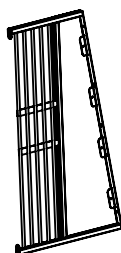
244105  
x4



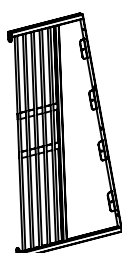
244102  
x4



242123



244125

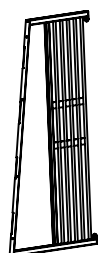


242109



241103

1x **24e011**



244126



242146

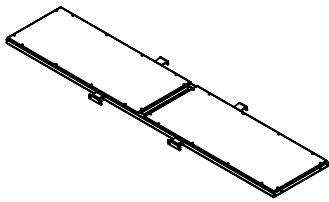


241103

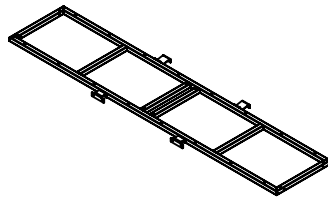
1x **24e011**

[cm]

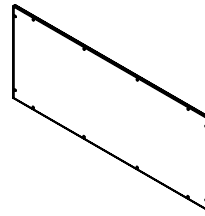
vinci  
play



244129



242152



241115

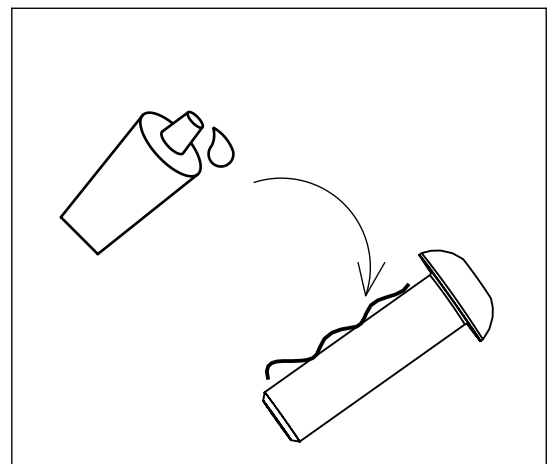
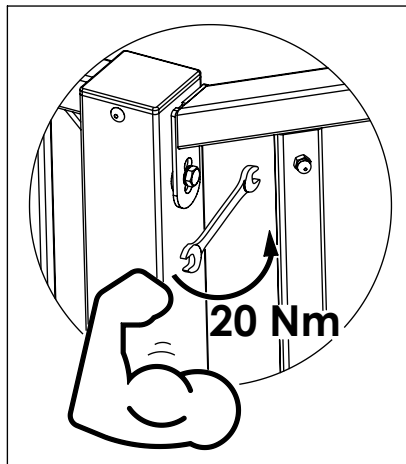
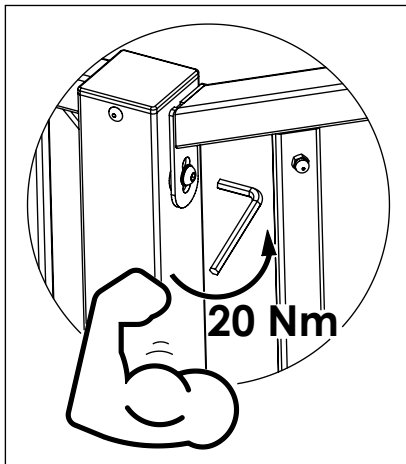
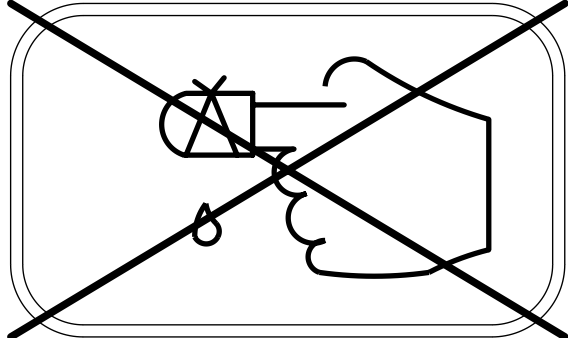
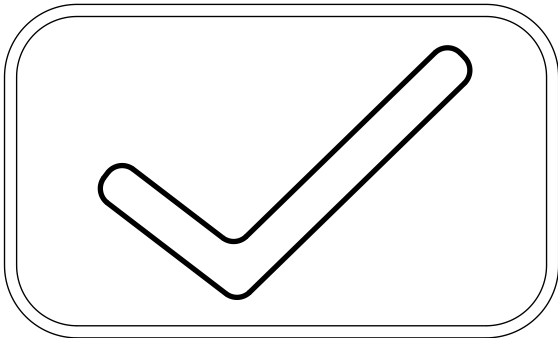
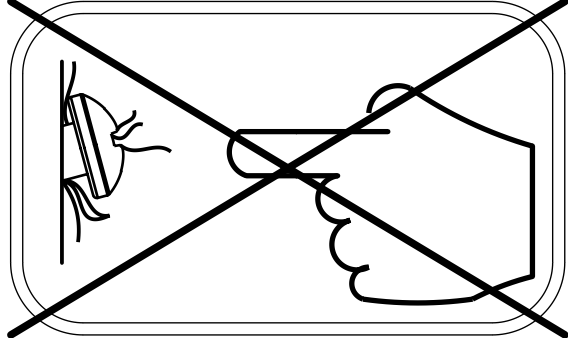
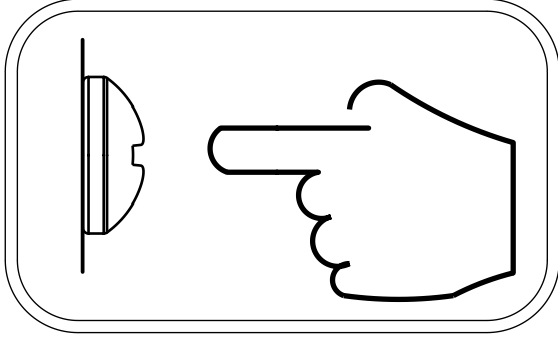
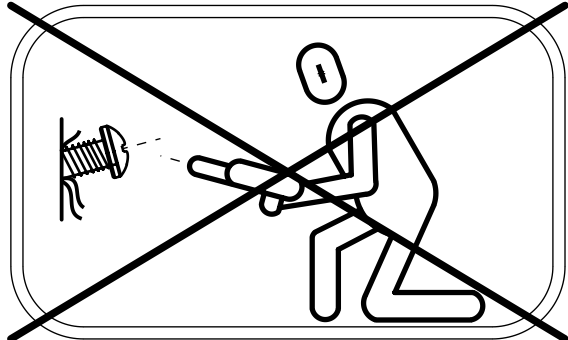
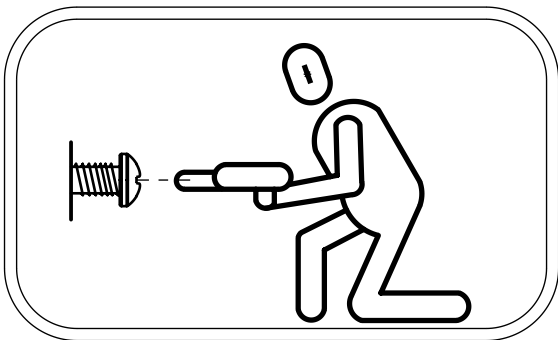
1x **24e029**

10x	24e007
1x	24e027
1x	V003
1x	24e018
1x	24e017
1x	24e012
1x	24e013
1x	24e014
38x	10x25ikl
38x	10pp
20x	8x30ikl
40x	8x25ikl
40x	8pp
1x	24e033

244129	
1x	24e029

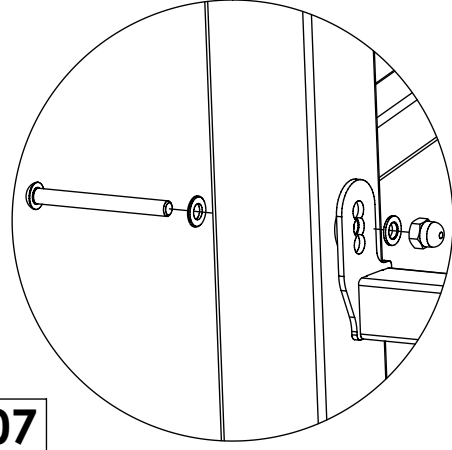
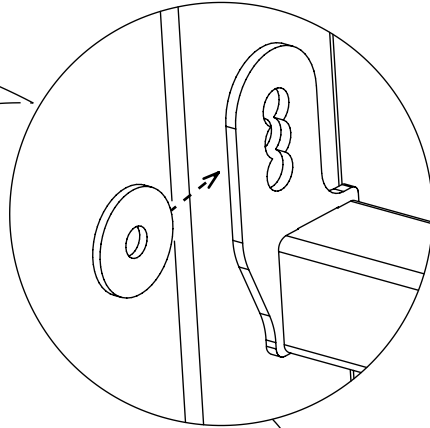
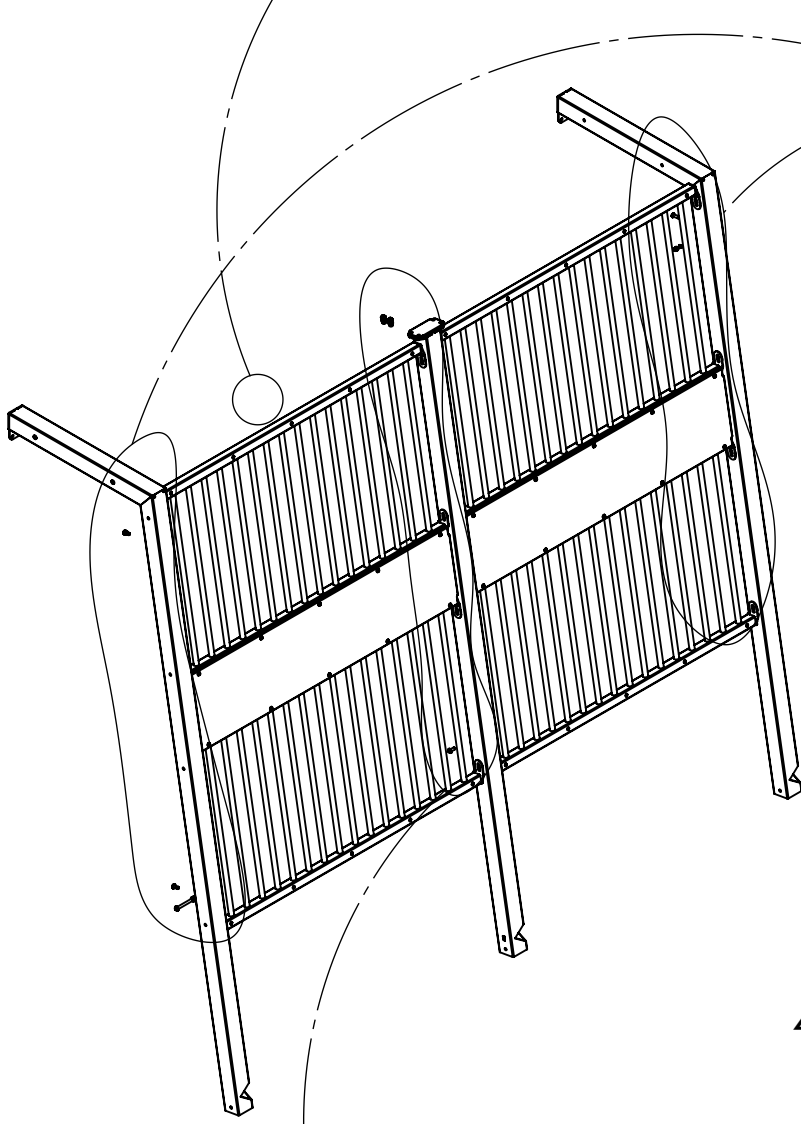
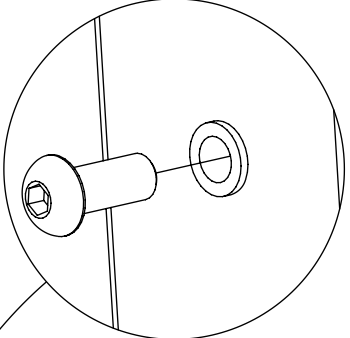
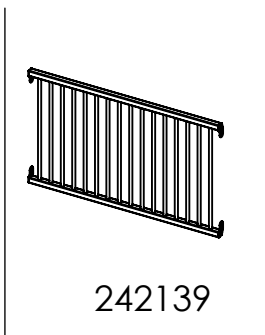
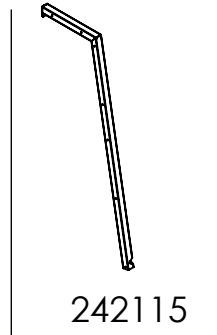
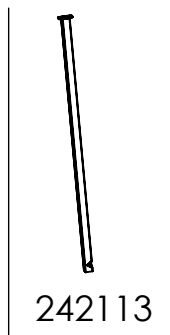
244125	
1x	24e011

244126	
1x	24e011

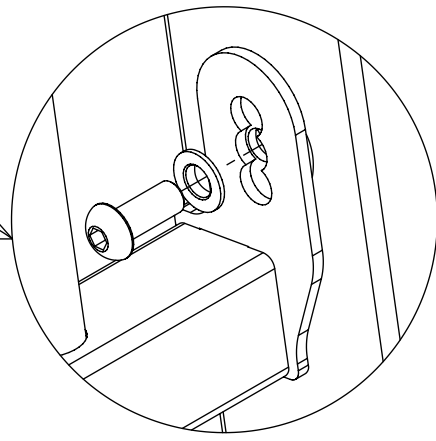
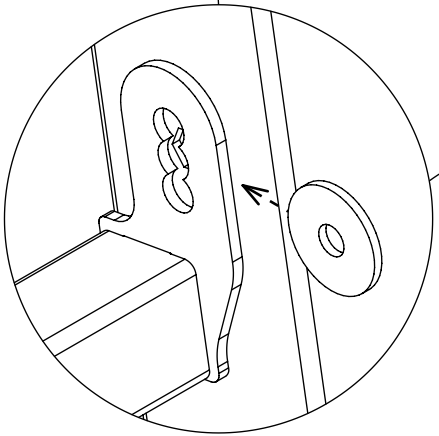


20x **8x25ikl**

20x **8pp**



4x **24e007**

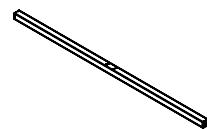


[cm]

vinci  
play

4x **10x25ikl**

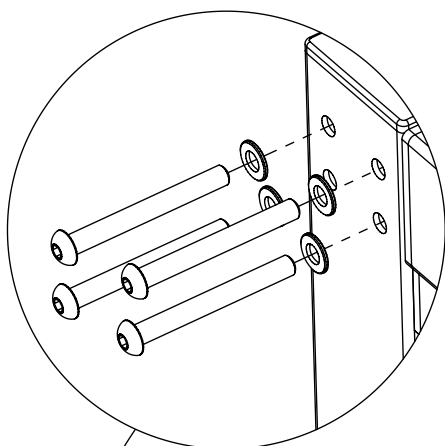
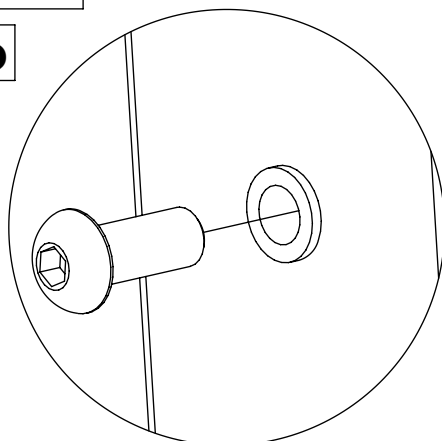
4x **10pp**



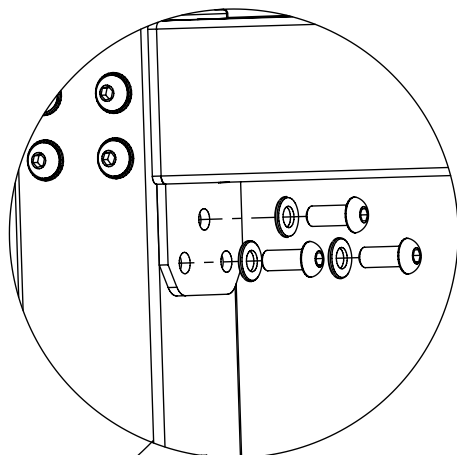
242112



247113

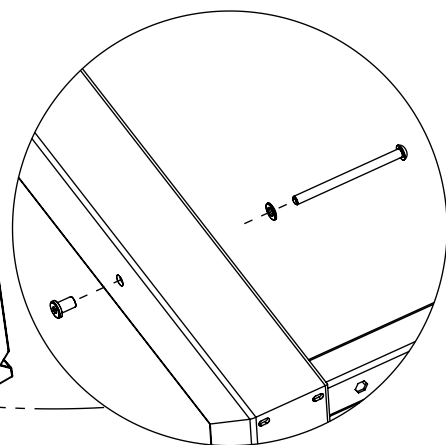
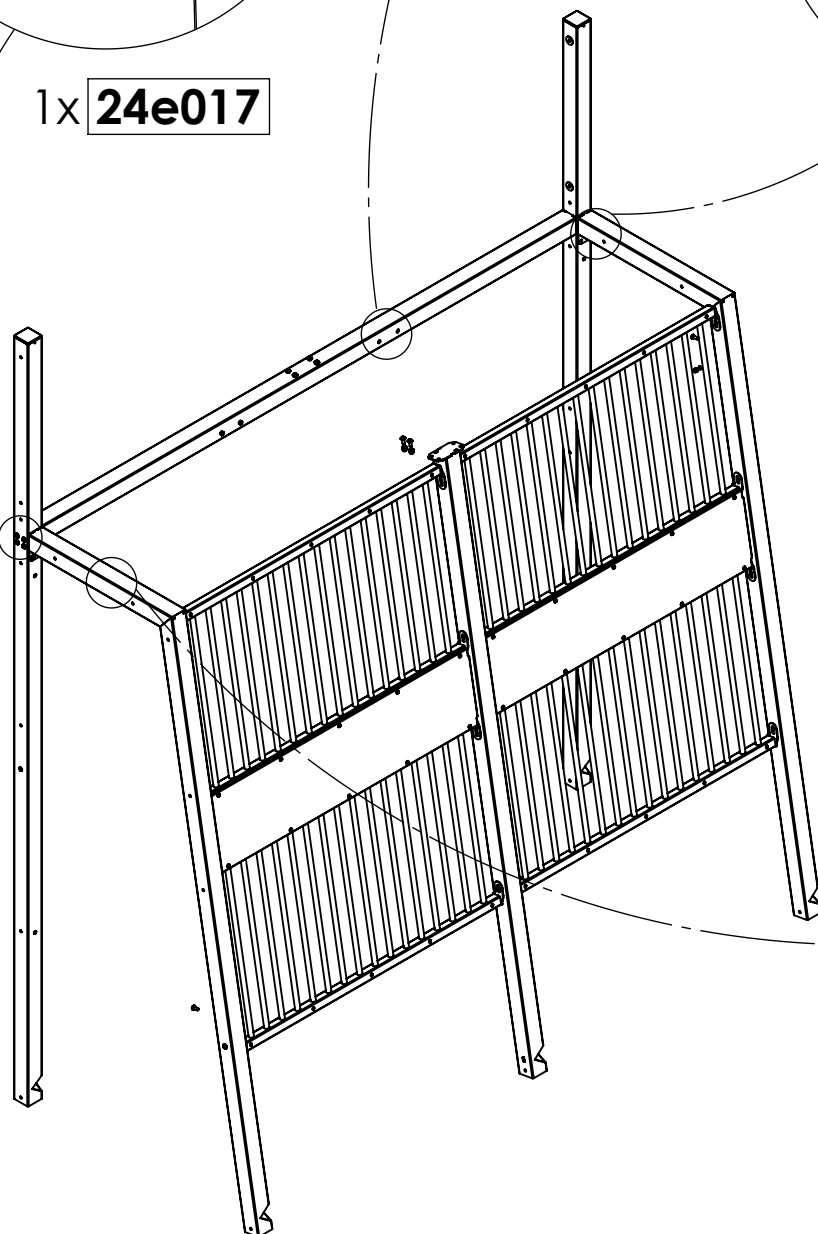


1x **24e017**



6x **10x25ikl**

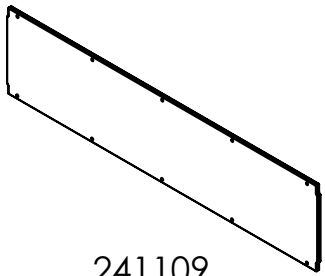
6x **10pp**



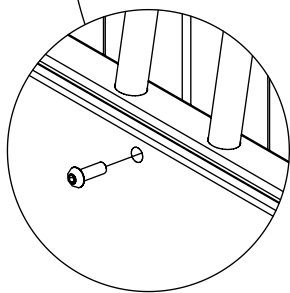
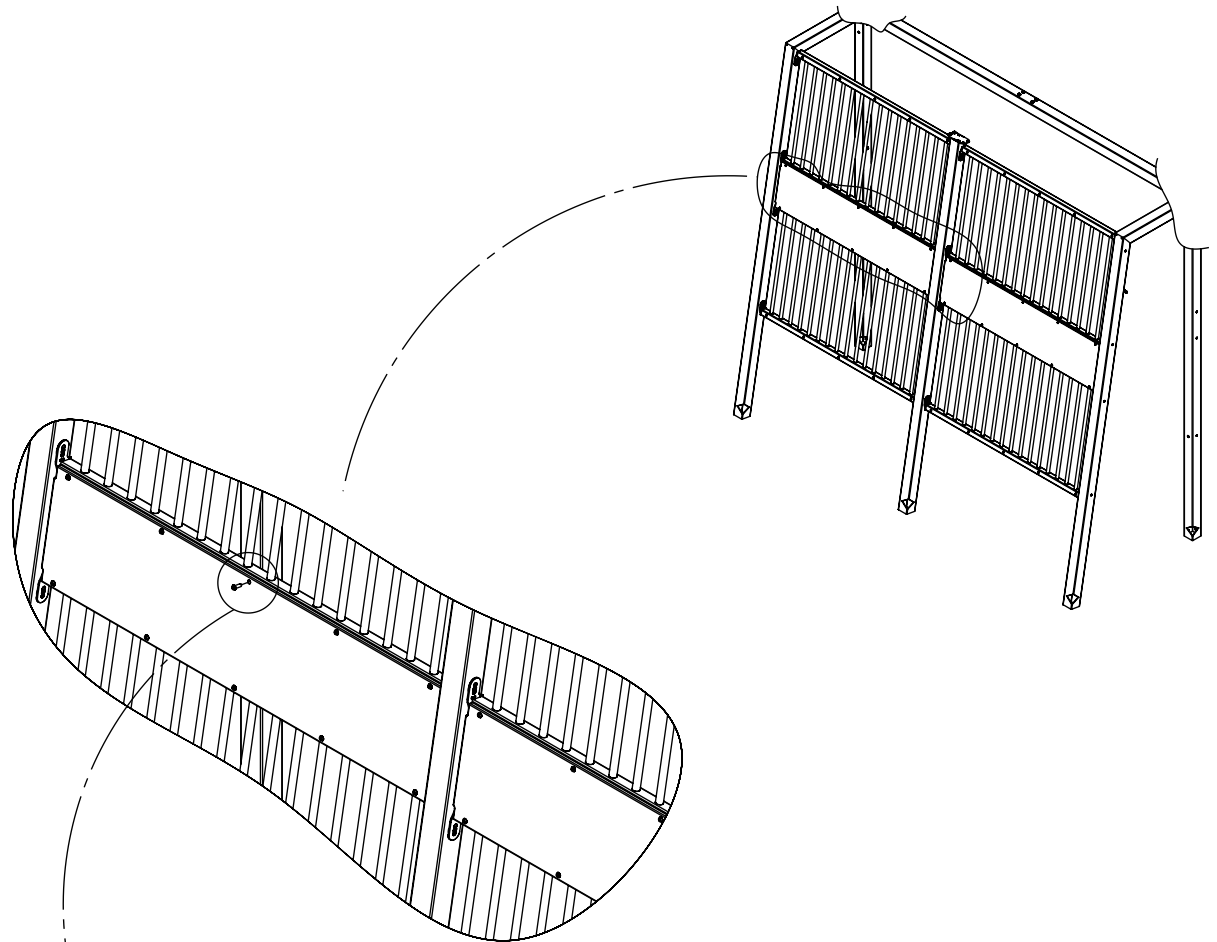
1x **24e027**

[cm]

vinci  
play



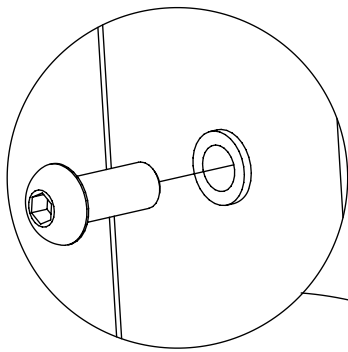
241109



20x **8x30iki**

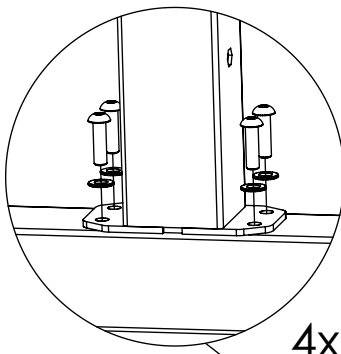
[cm]

vinci  
play



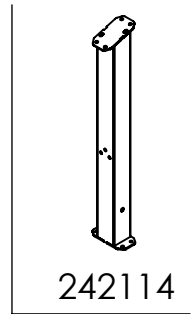
20x **8x25ikl**

20x **8pp**

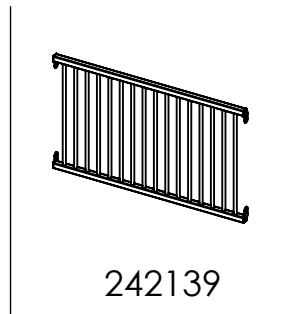


4x **10x25ikl**

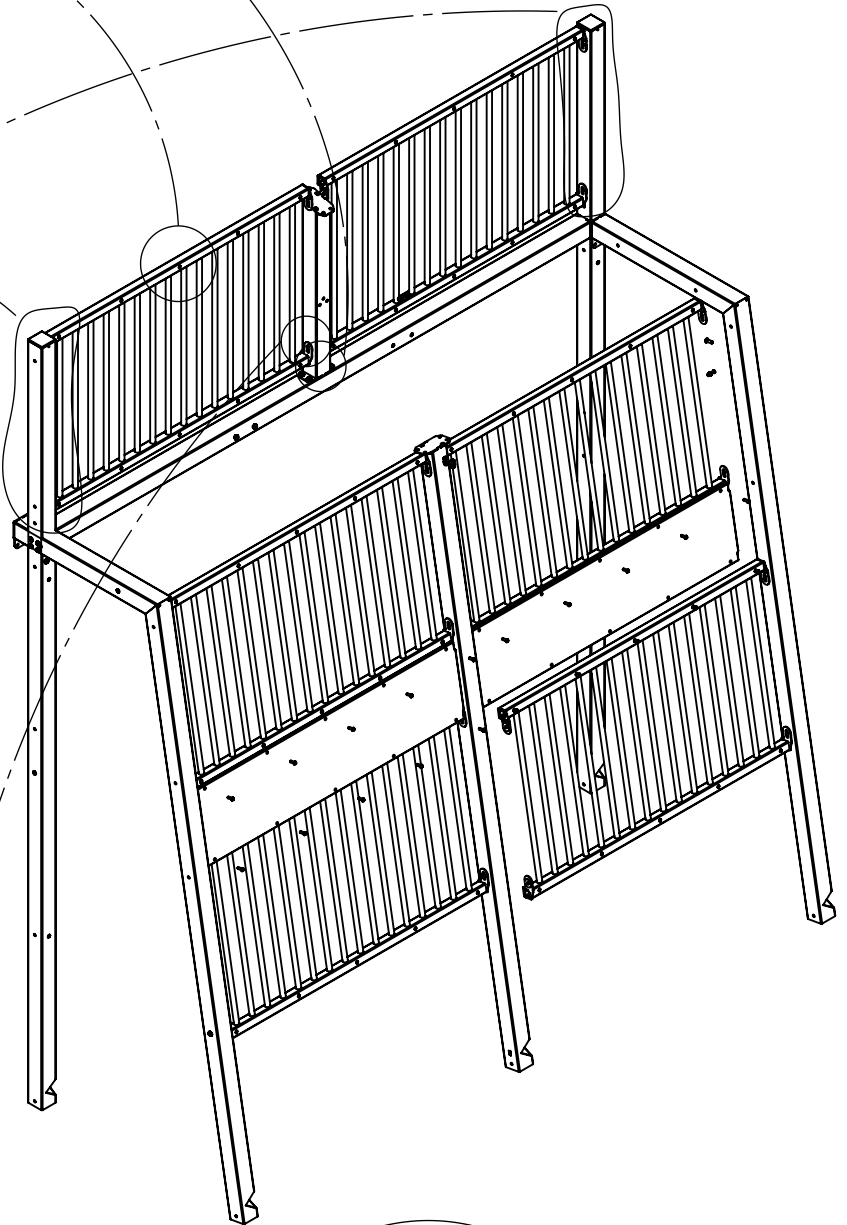
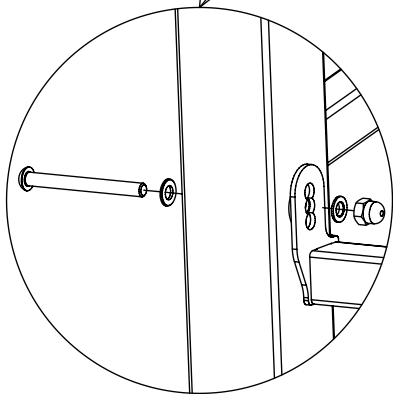
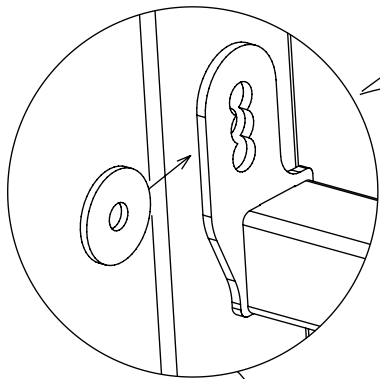
4x **10pp**



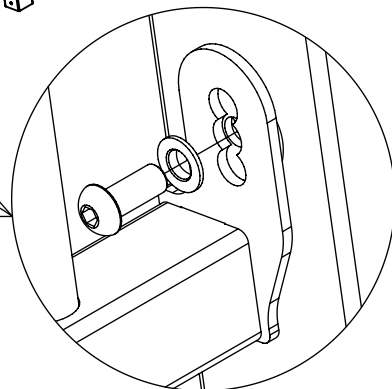
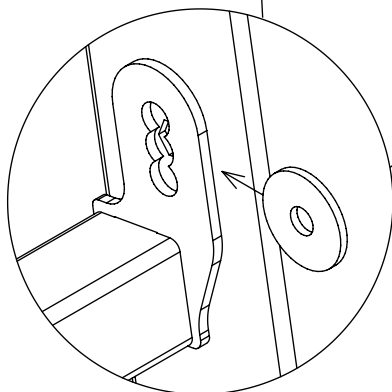
242114



242139

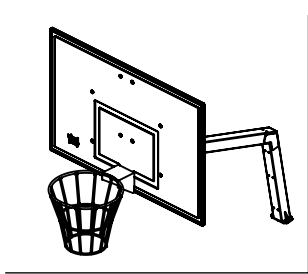


2x **24e007**

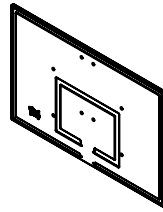


[cm]

vinci  
play



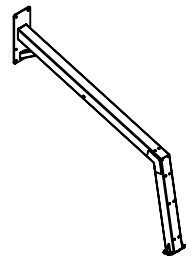
206100



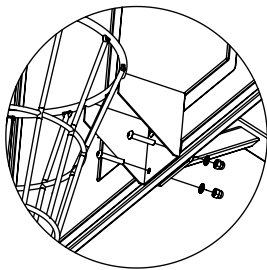
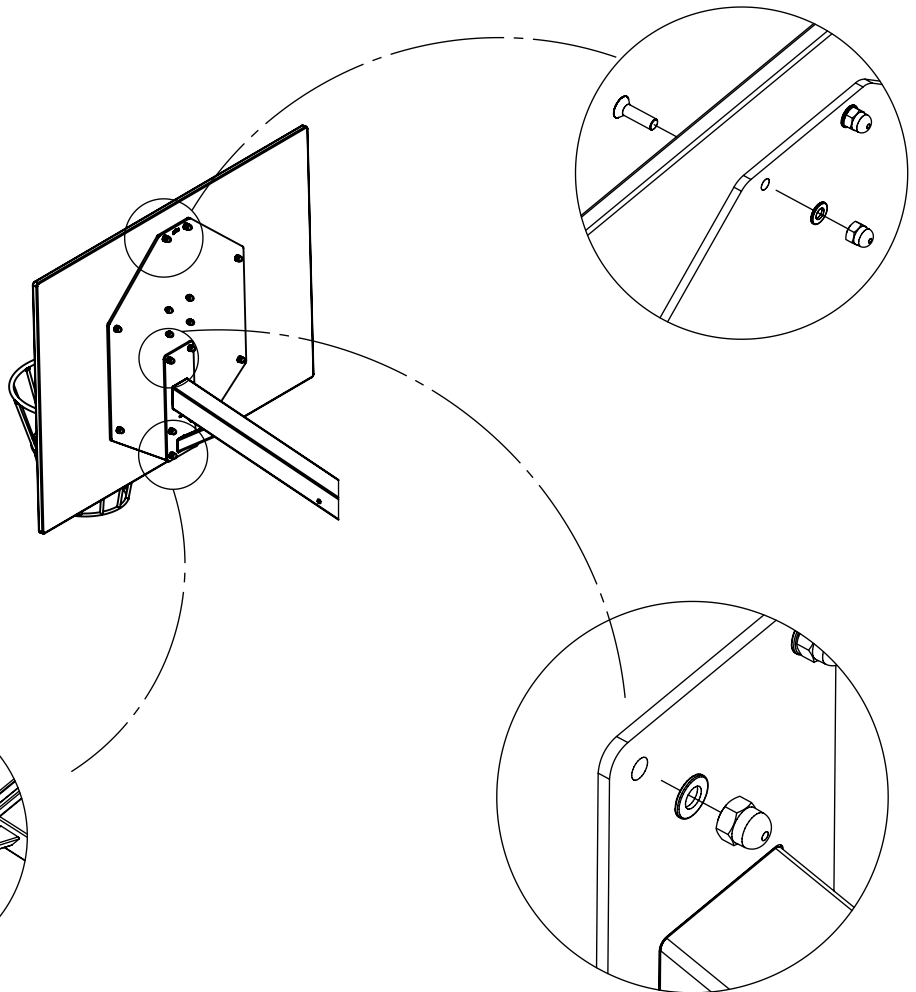
241104



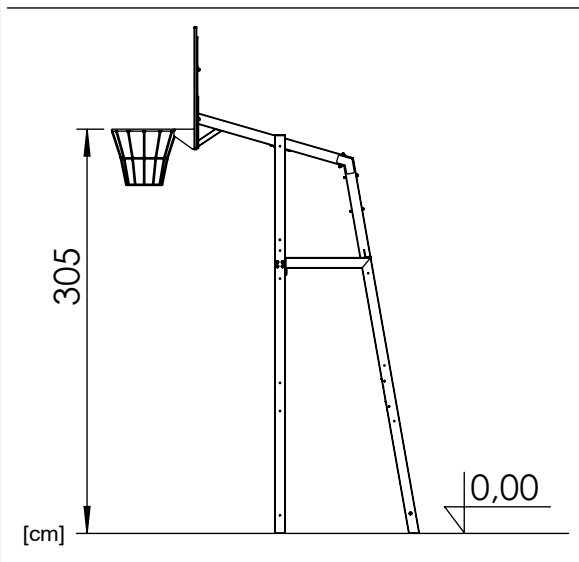
b799



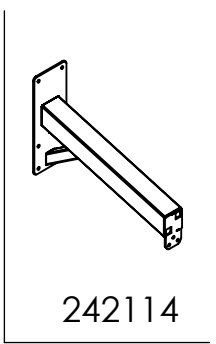
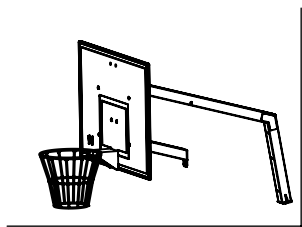
242111



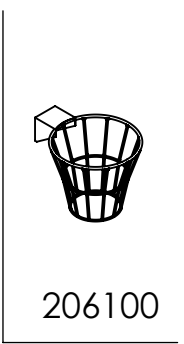
1x **24e012**



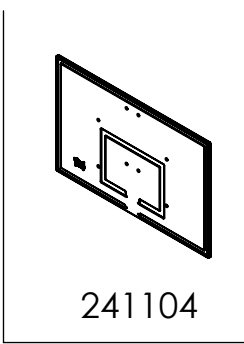
vinci  
play



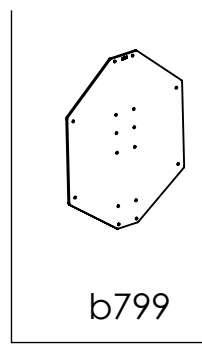
242114



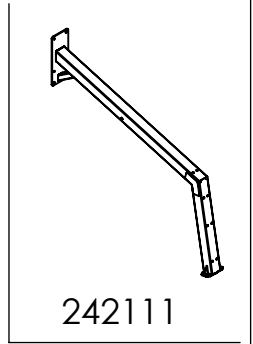
206100



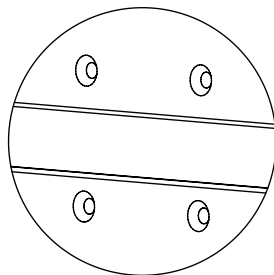
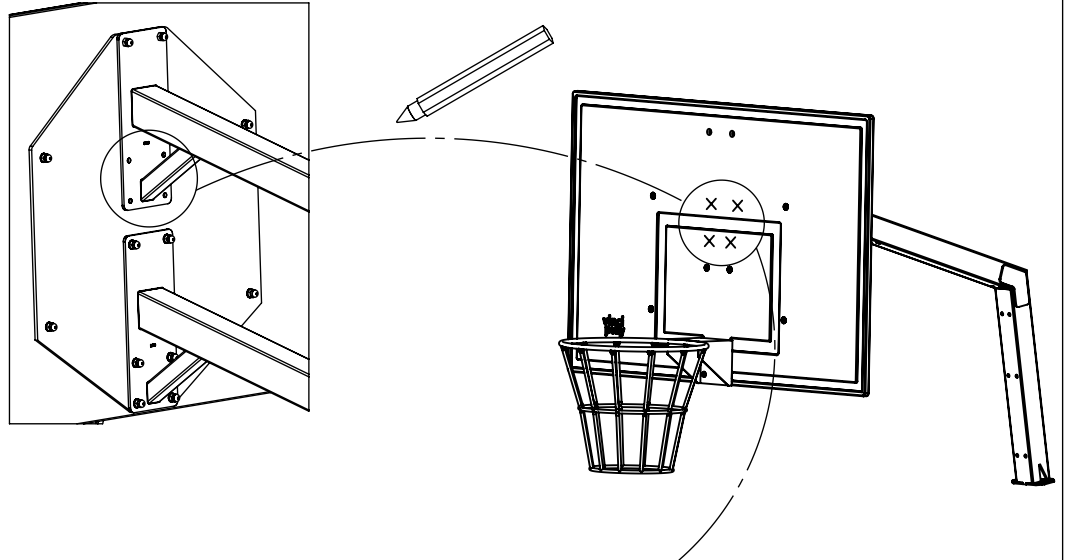
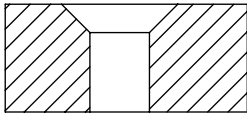
241104



b799





242111

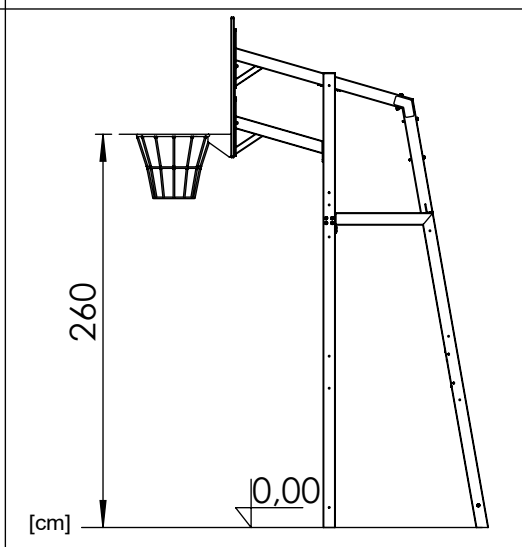



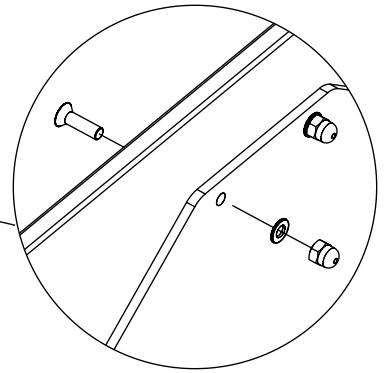
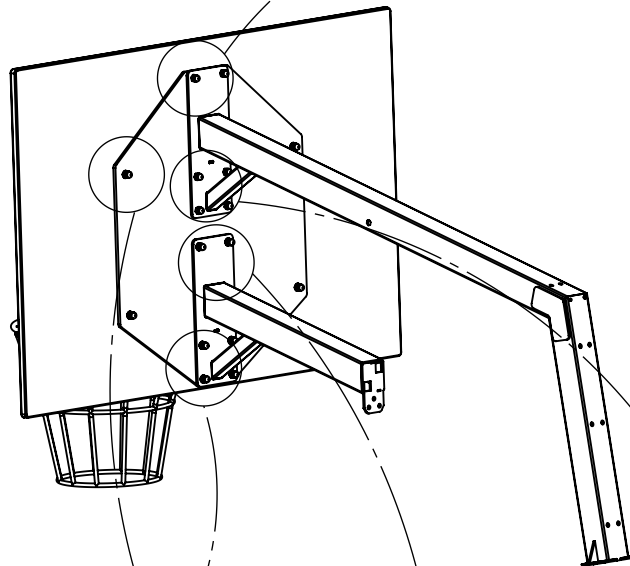
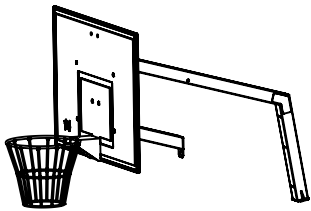
1x **24e013**

Ø 11 mm

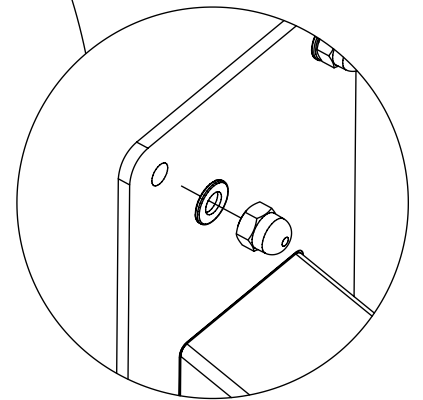


**NOT INCLUDED** 

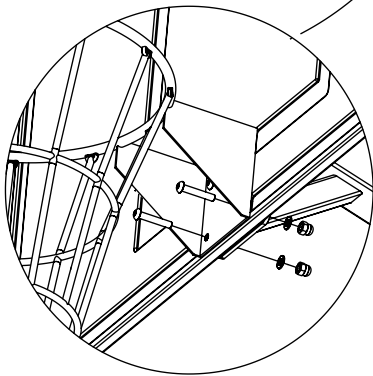




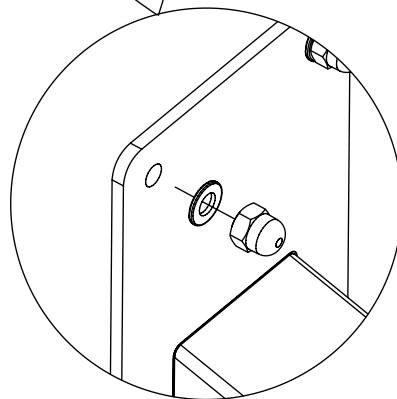
**24e013**



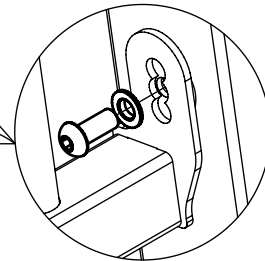
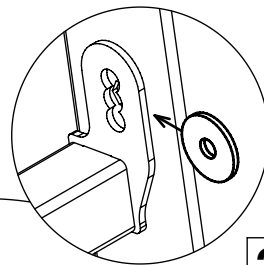
**24e013**



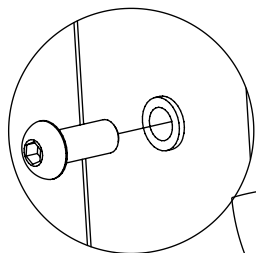
**24e012**



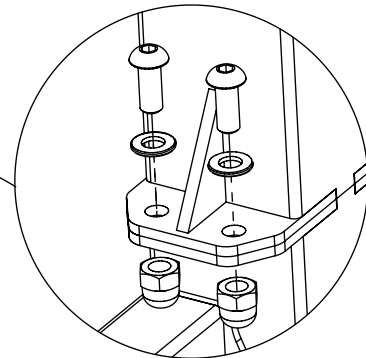
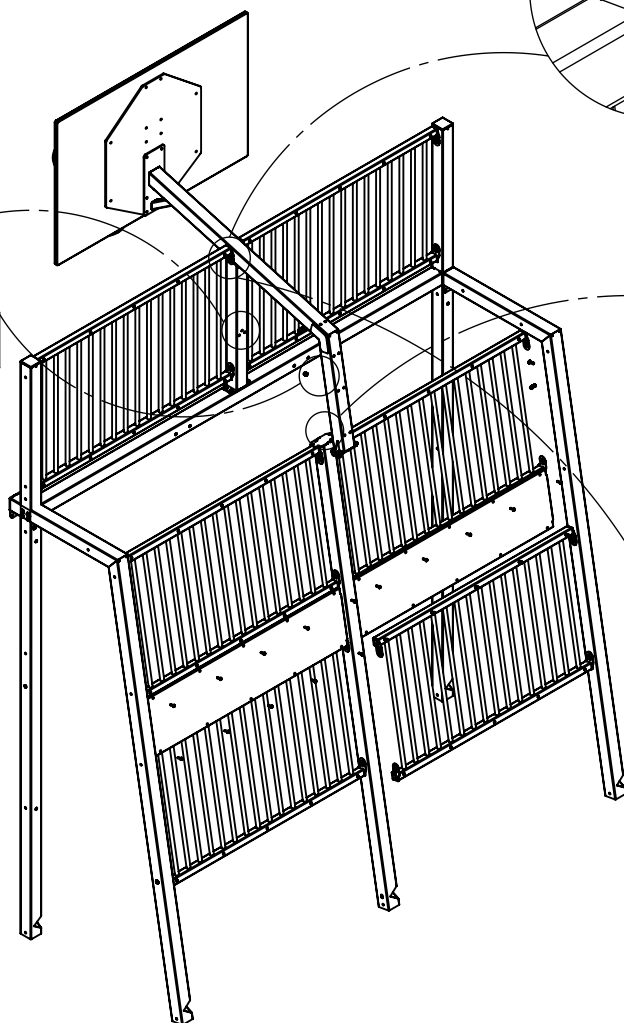
**24e012**



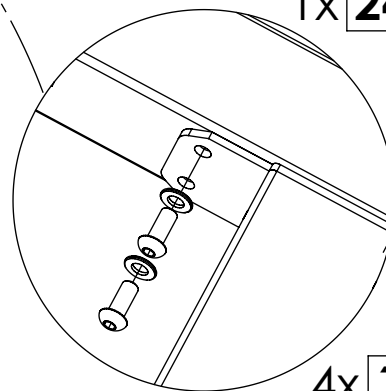
**24e007**



**1x 24e014**

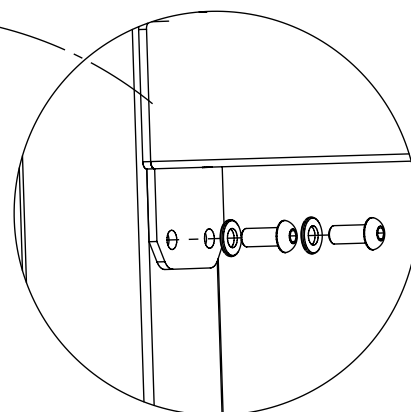
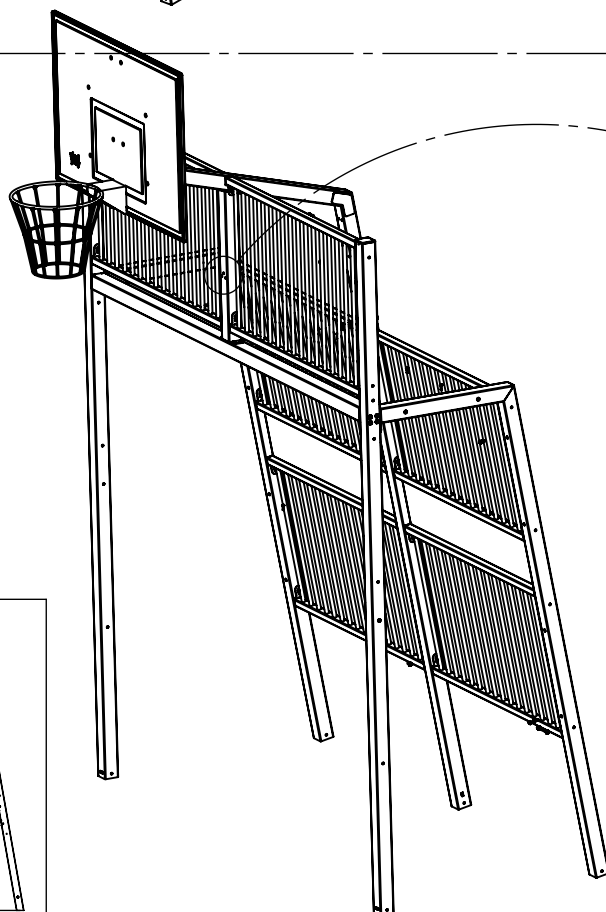


**1x 24e018**

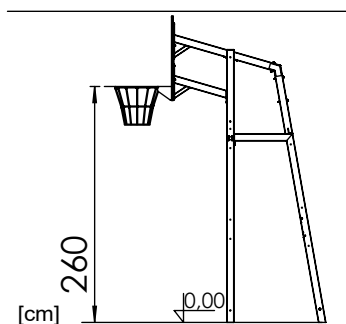


**4x 10pp**

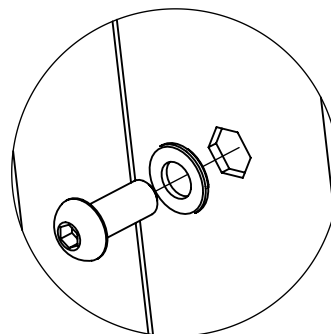
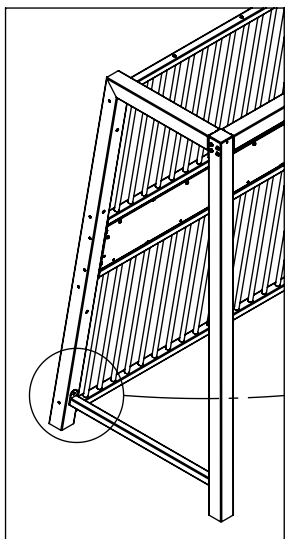
**4x 10x25ikl**



**24e013**

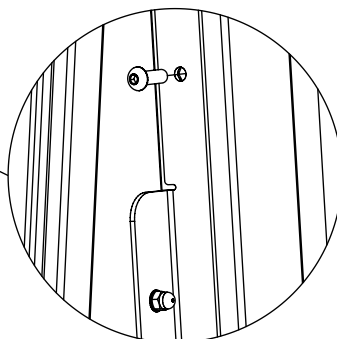
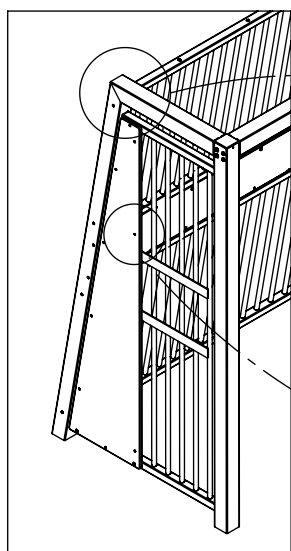


vinci  
play

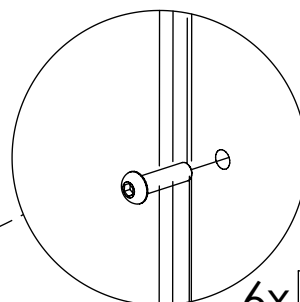


6x **10x25ikl**

6x **10pp**

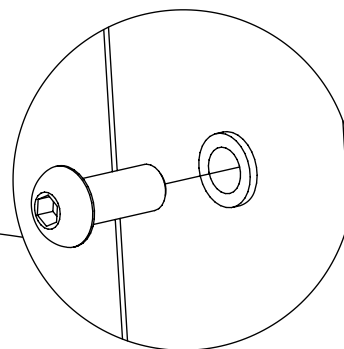
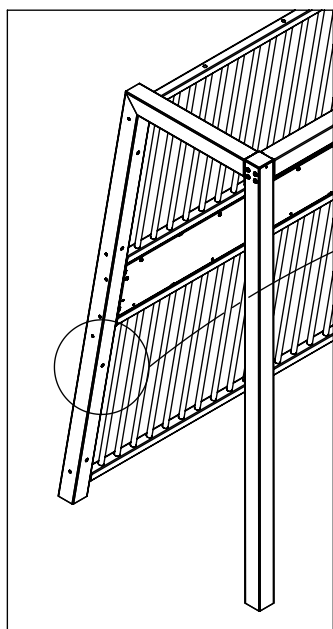


1x **24e011**



6x **10x25ikl**

6x **10pp**

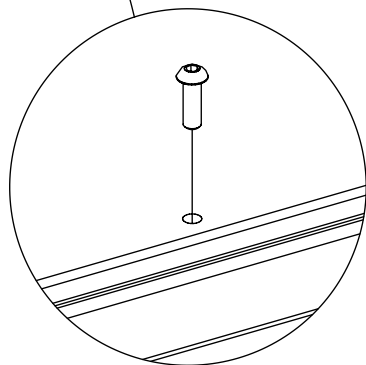
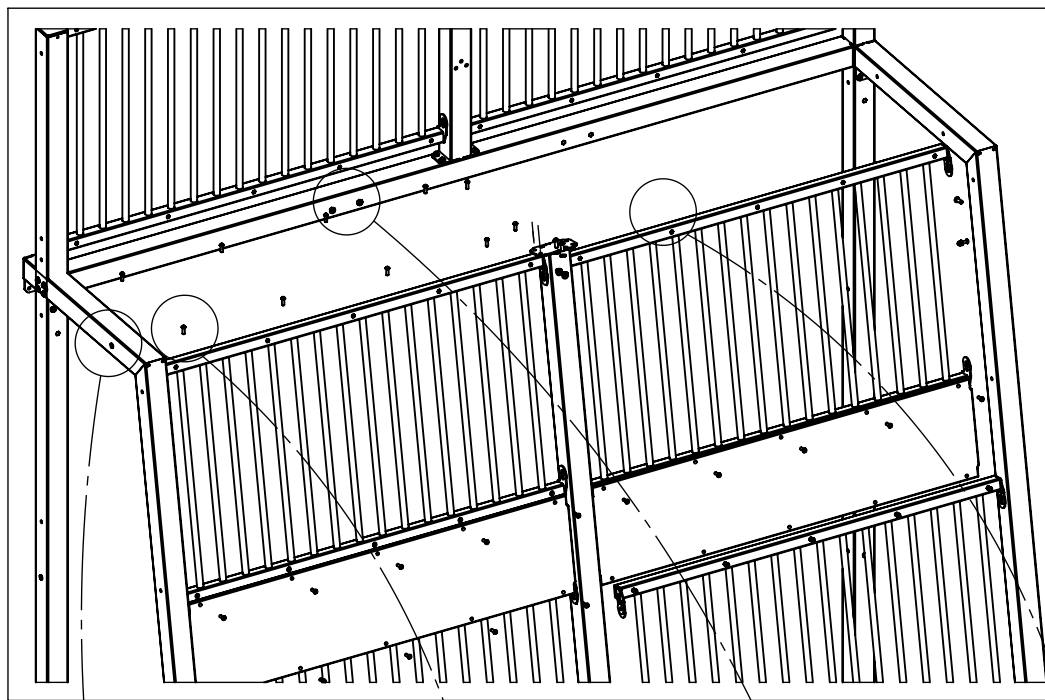


6x **10x25ikl**

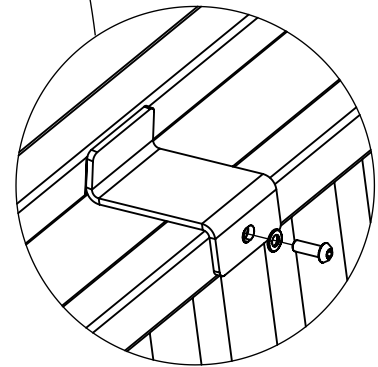
6x **10pp**

[cm]

vinci  
play

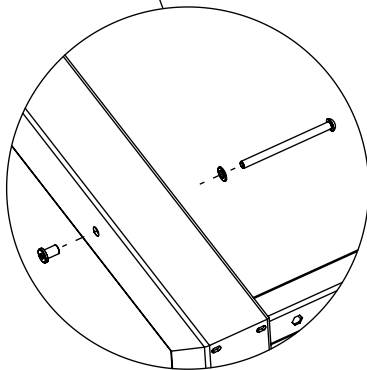


1x **24e029**

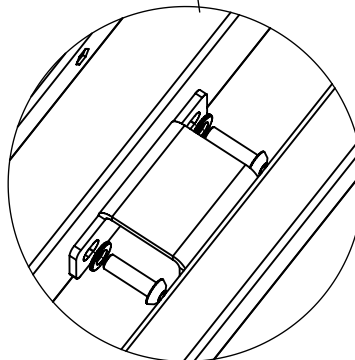


**8x25ikl**

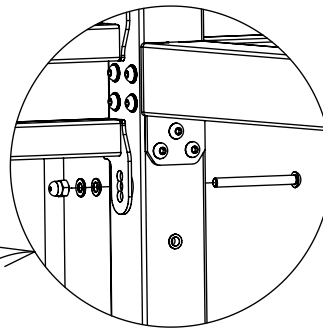
**8pp**



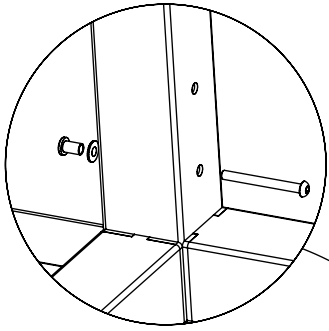
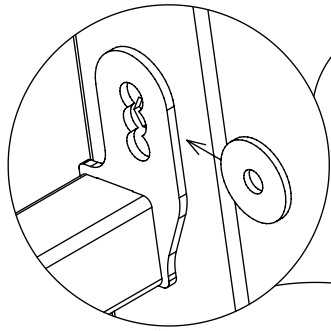
**24e029**



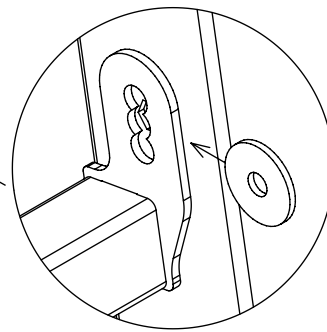
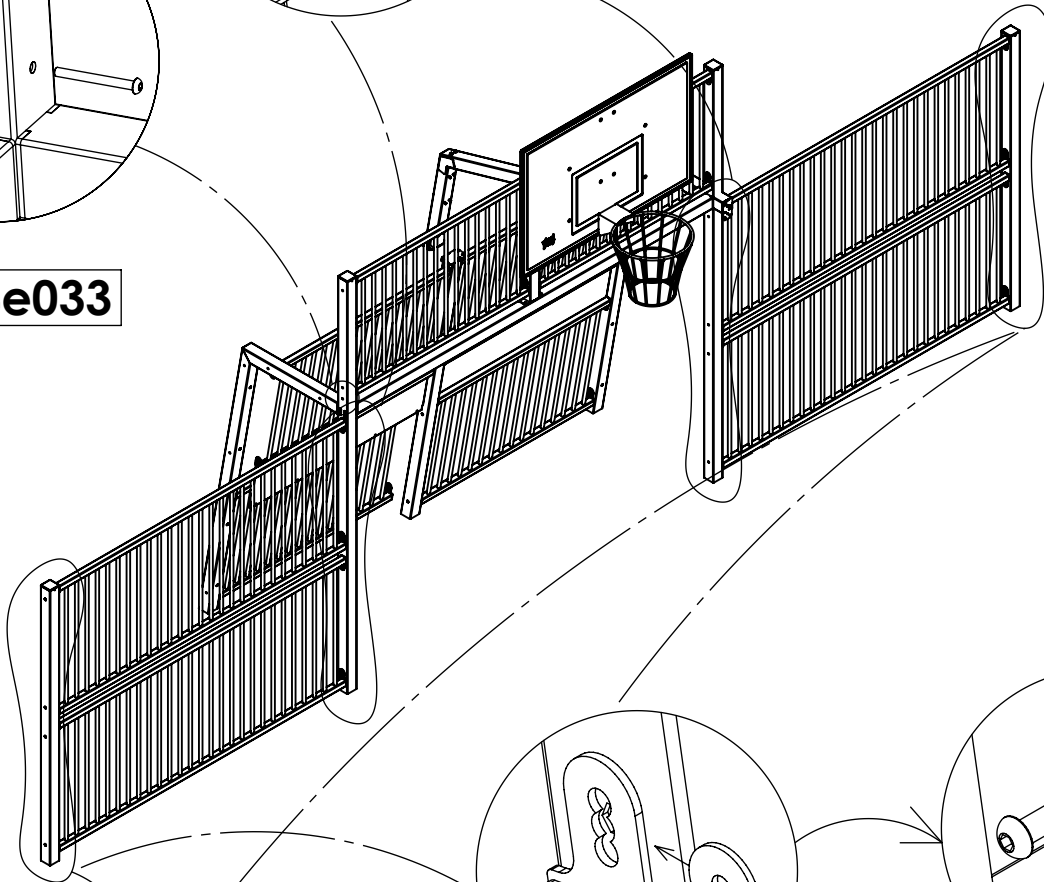
**24e029**



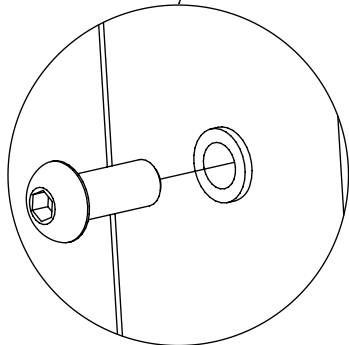
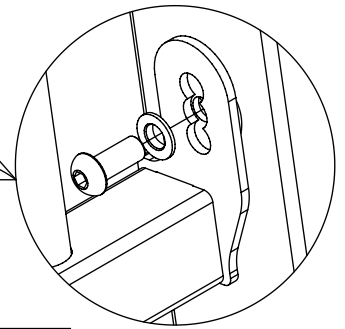
4x **24e007**



1x **24e033**



**24e007**

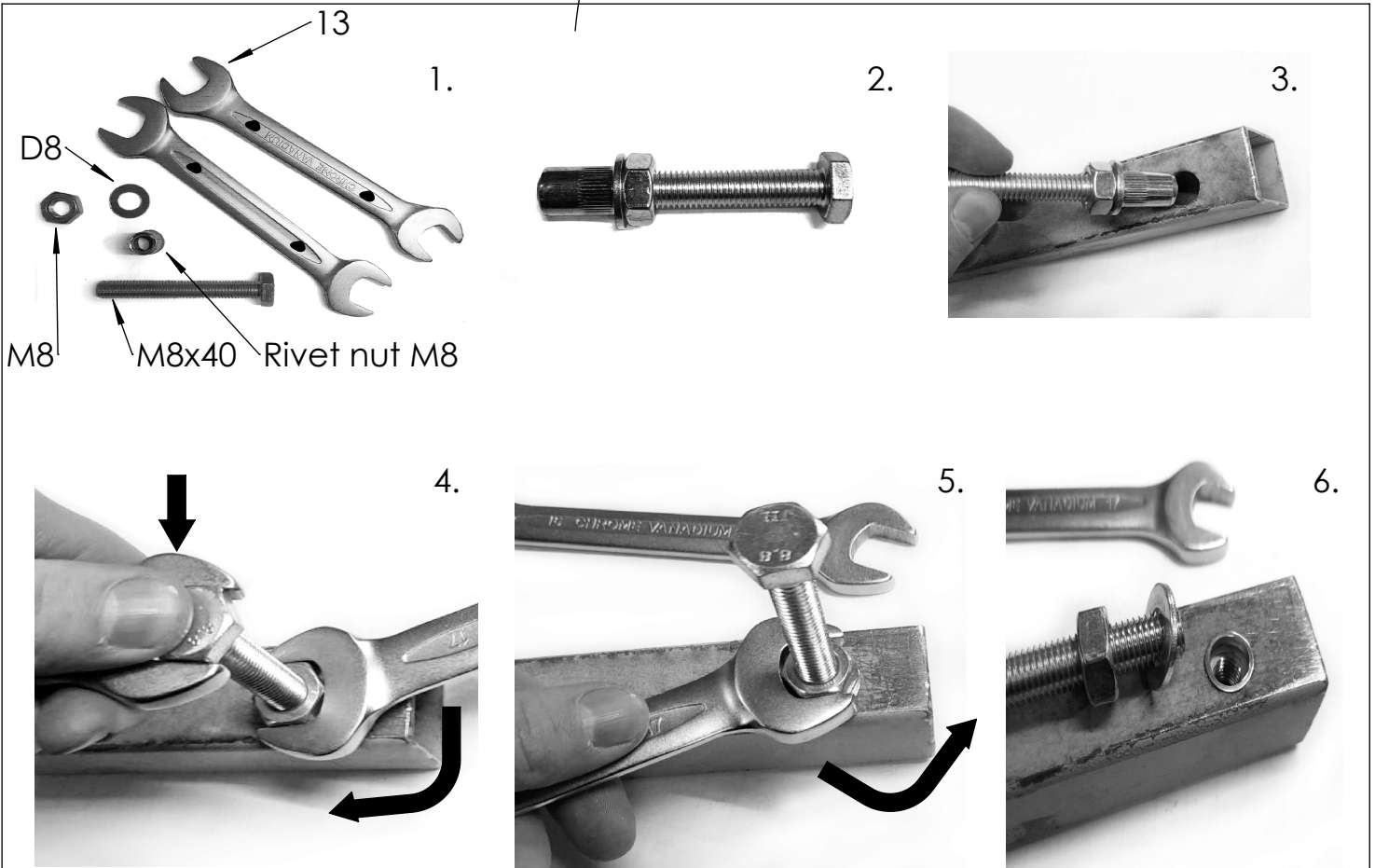
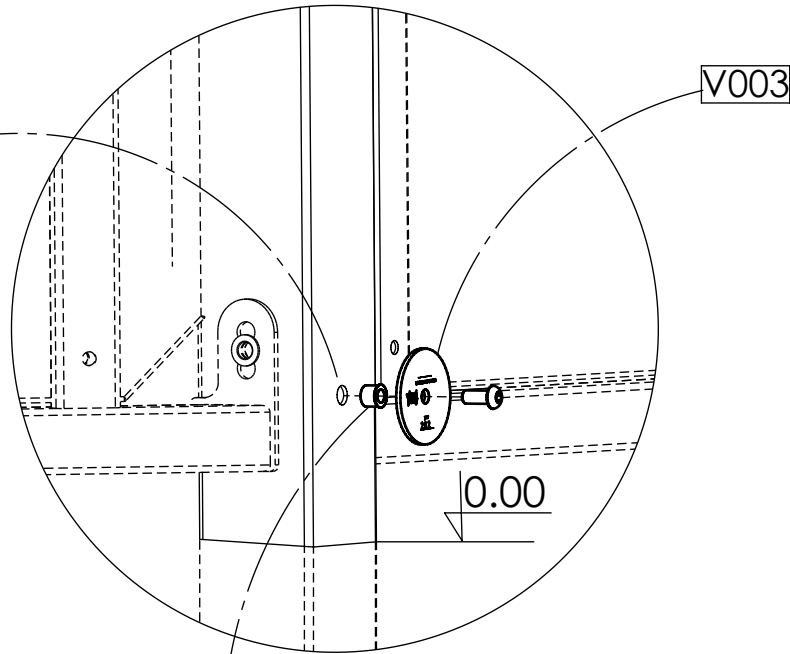
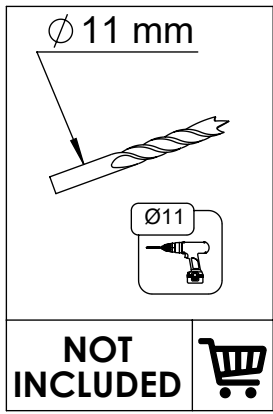


8x **10x25ikl**

8x **10pp**

[cm]

vinci  
play

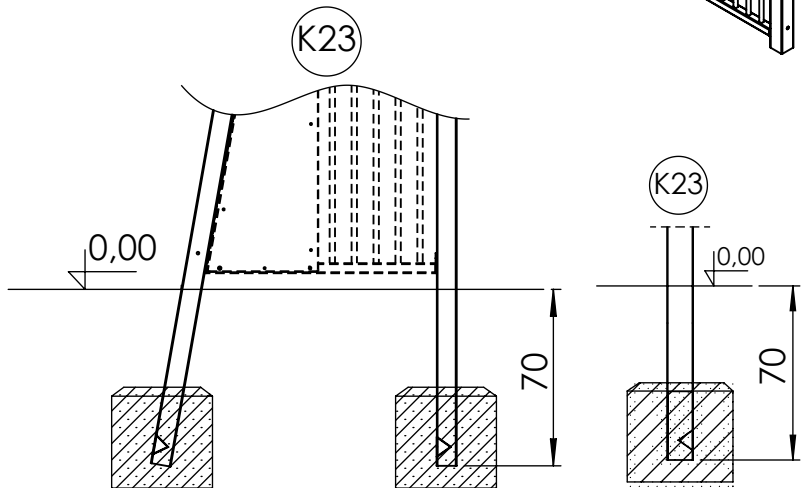
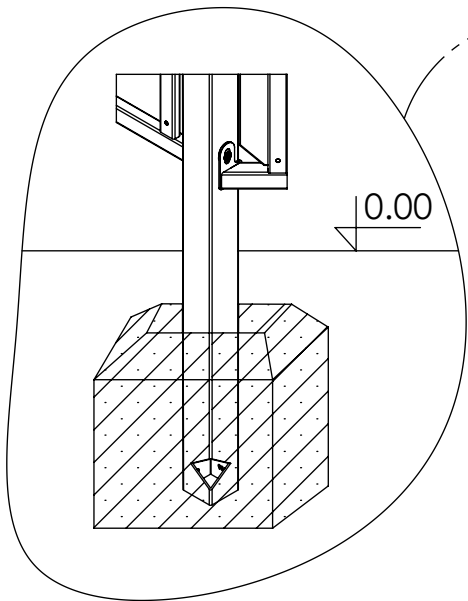
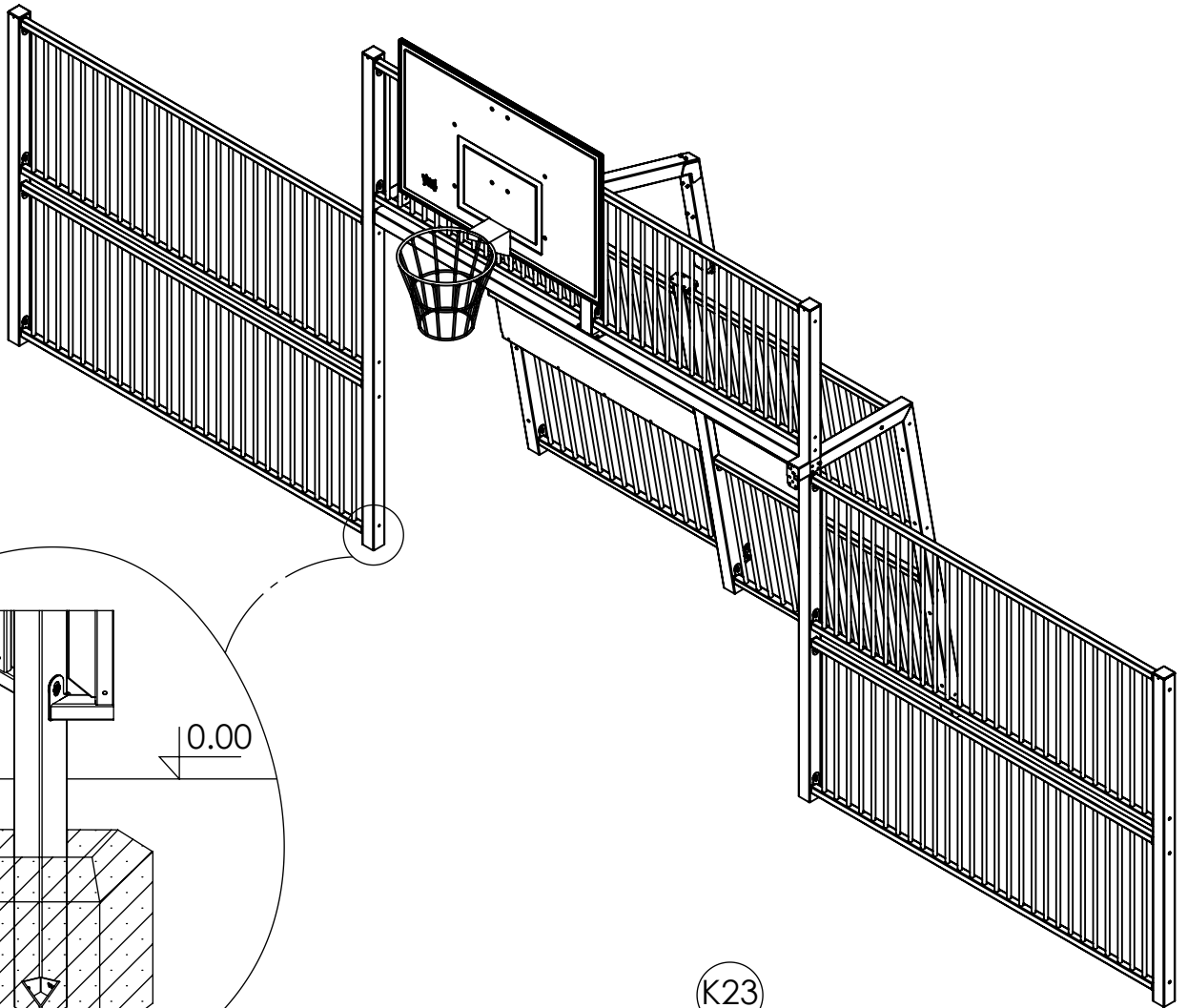
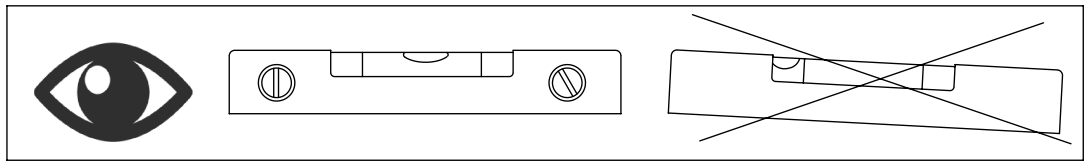
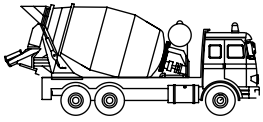


Keep the head of the screw still (it can not rotate!)  
 - then by using short wrench - rotate/screw only  
 the bottom part of solution - the nur. Attention!  
 - do not put much power for this operation  
 (otherwise the rivet nut will be damaged!).  
 The difference between screw head and the  
 nut should change from 3mm to 8mm

After that unscrew screws

Final effect

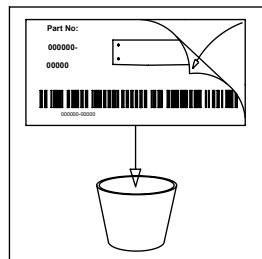
48h



K23

x7

>0,06m<sup>3</sup>



[cm]

vinci play