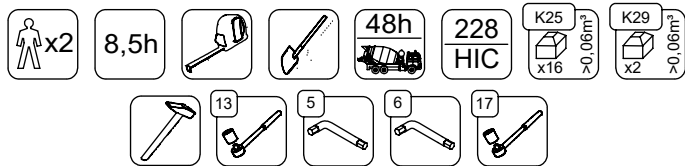
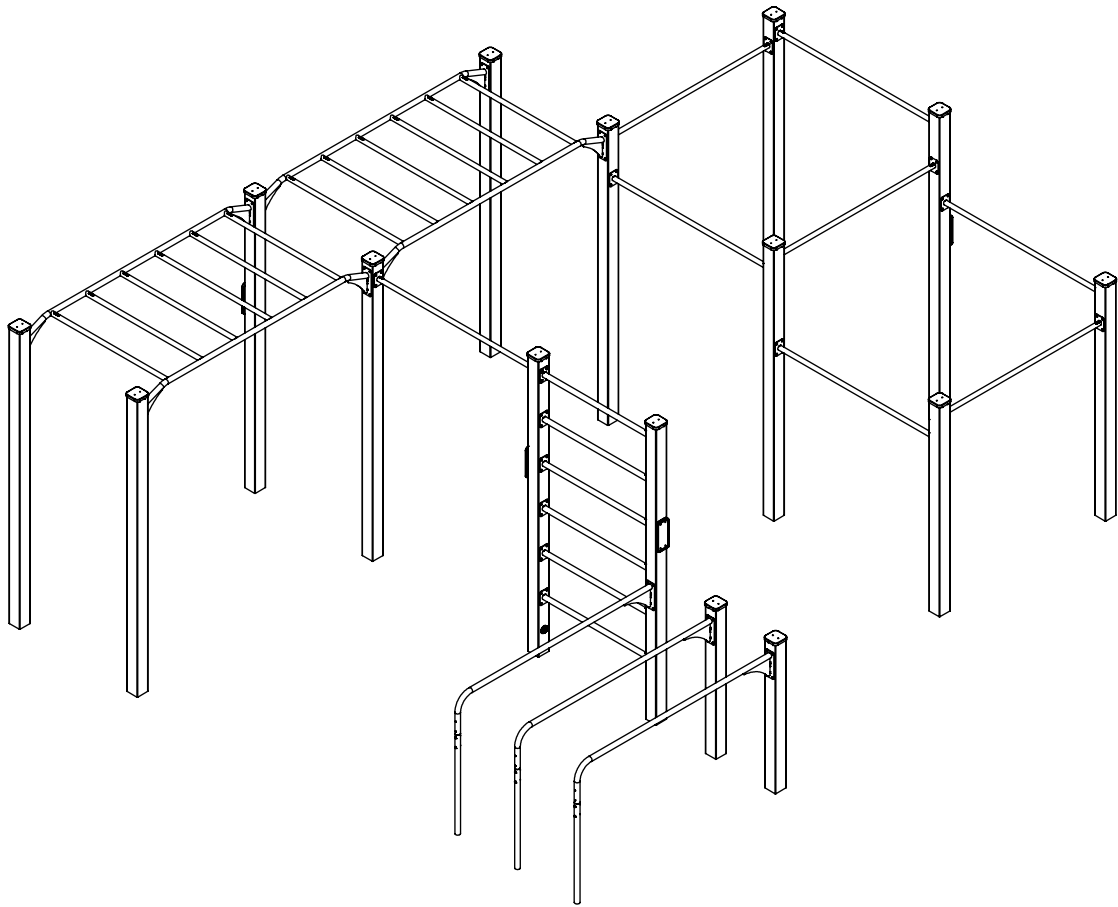
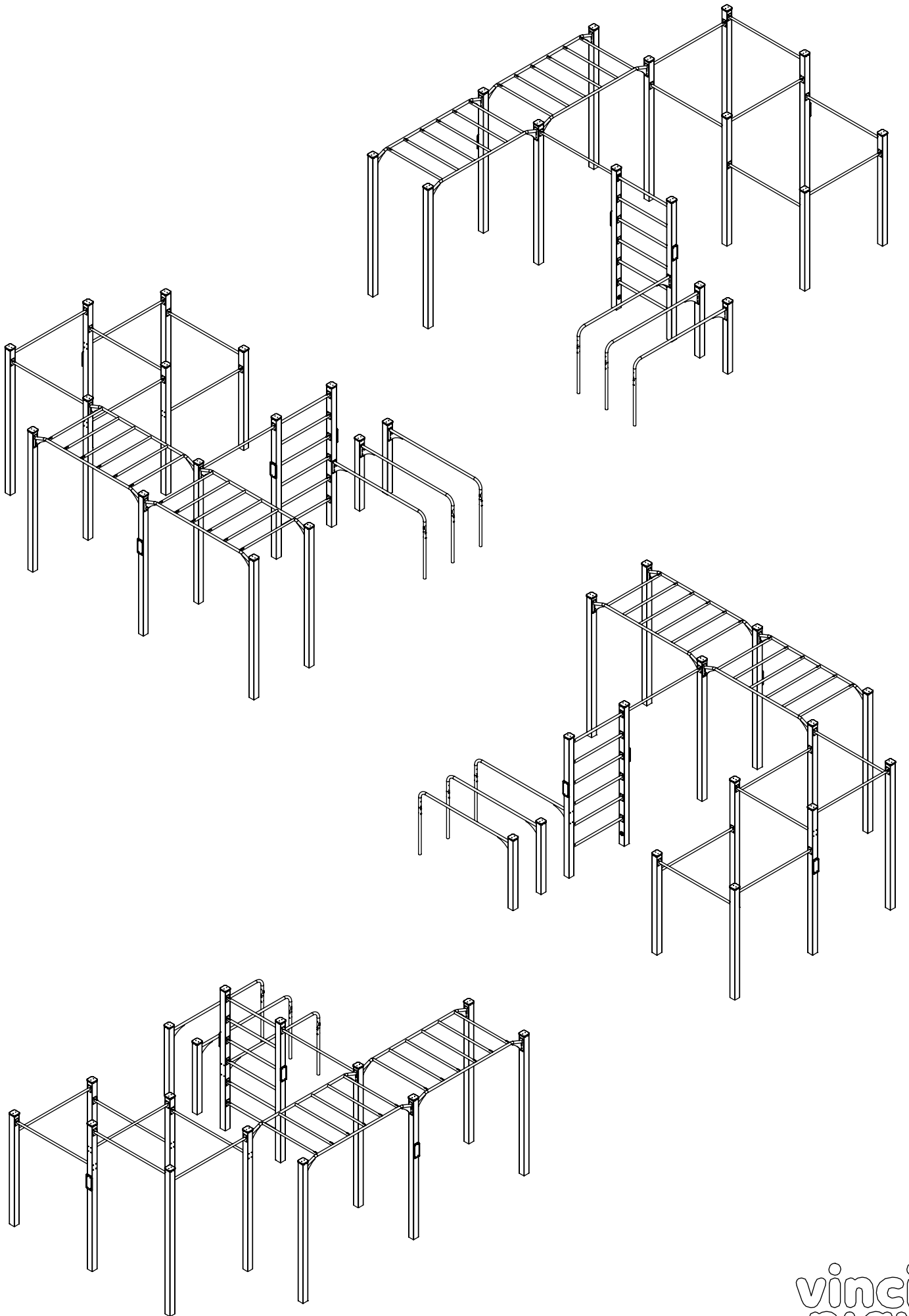


2327



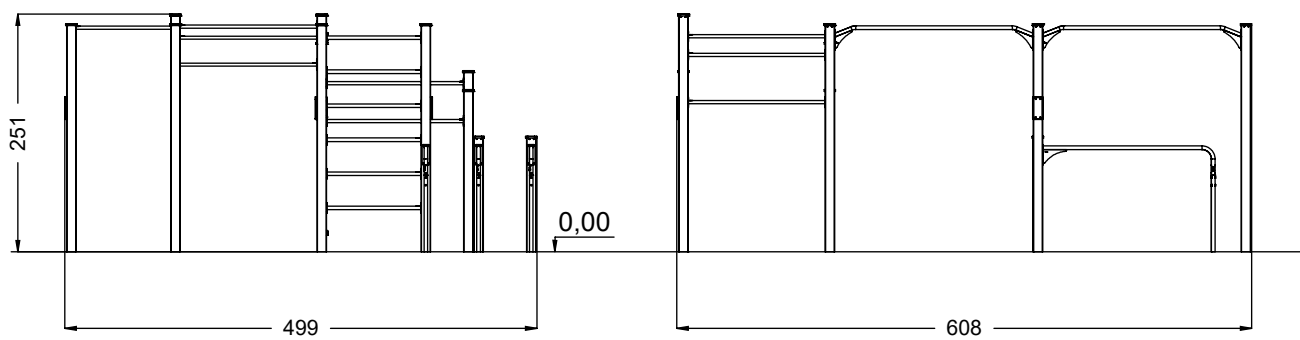
v011
15.02.2022
A. H.
[cm]

vinci
play



[cm]

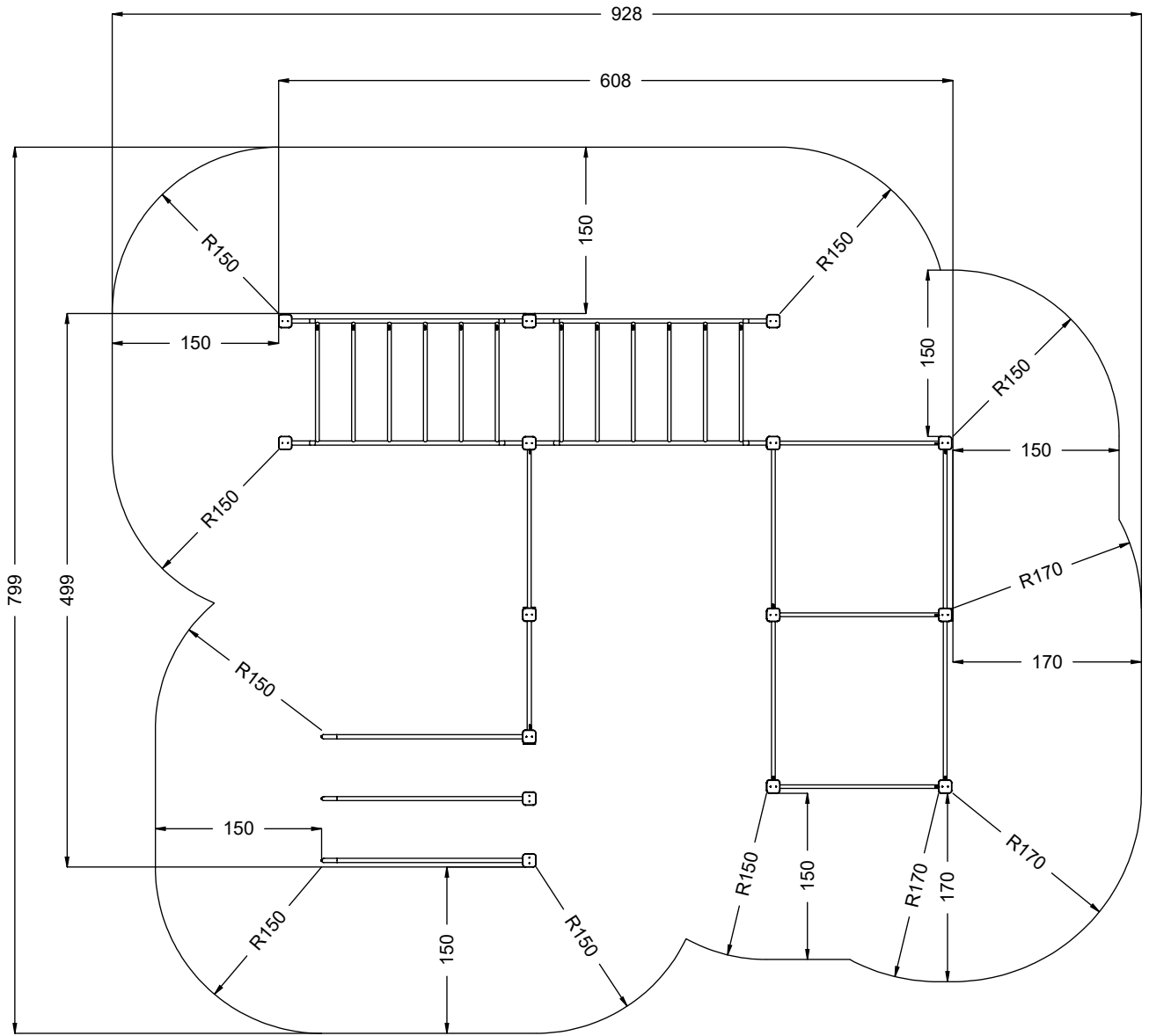
vinci
play



[cm]



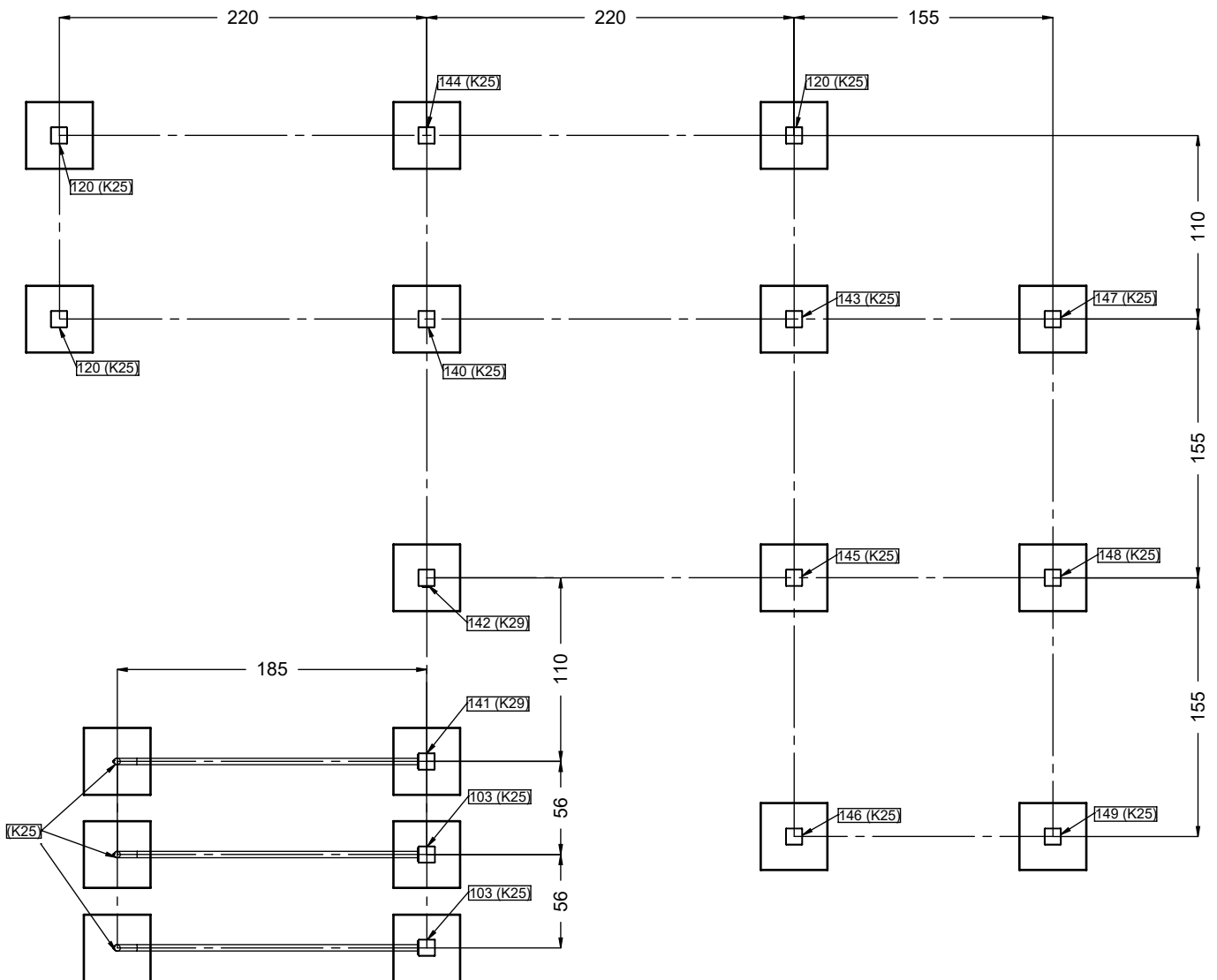
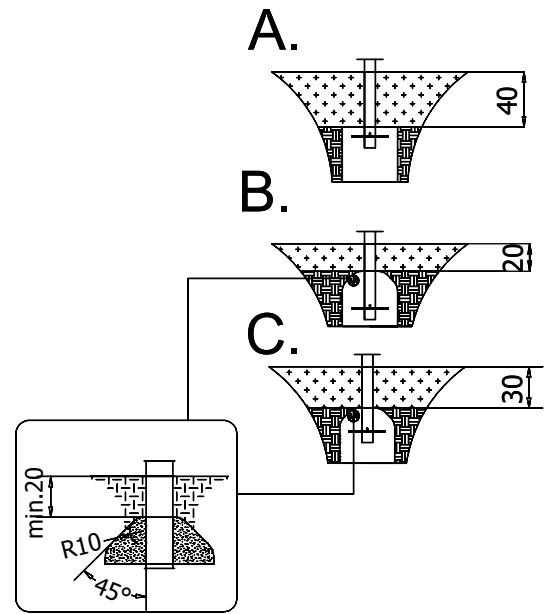
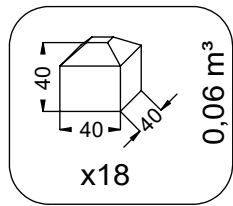
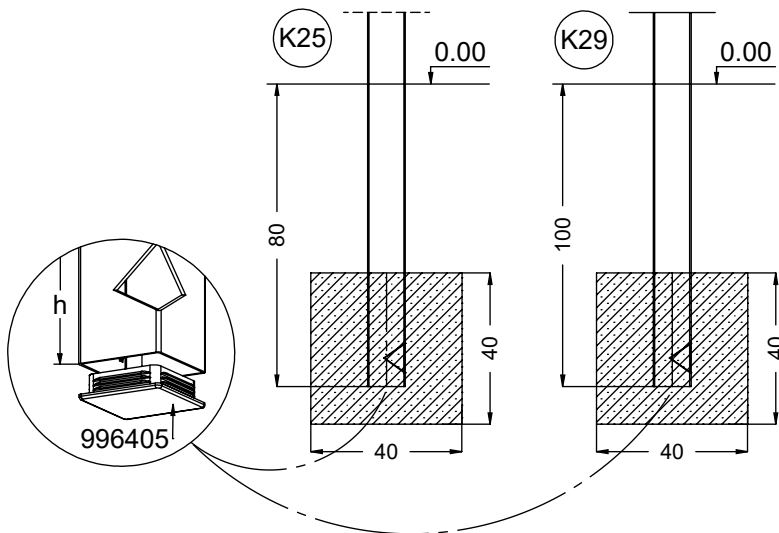
vinci
play



[cm]



vinci
play



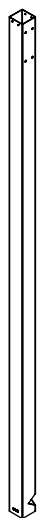
[cm]



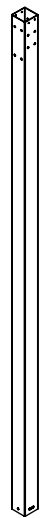
8,5h



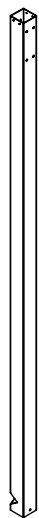
vinci
play



237120
x3



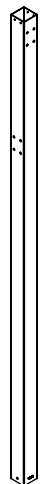
237140
x1



237144
x1



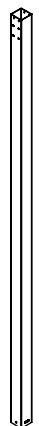
237143
x1



237145
x1



237146
x1



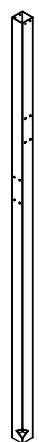
237147
x1



237148
x1



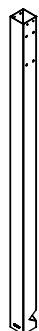
237149
x1



237141
x1



237142
x1



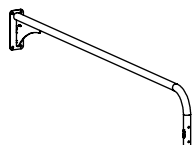
237103
x2



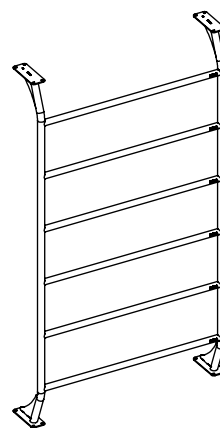
232106
x8



232100
x6



232102
x3



232111
x2



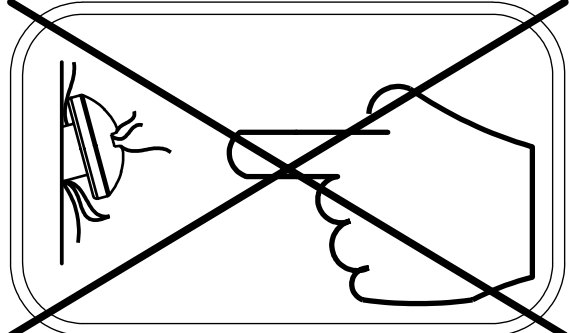
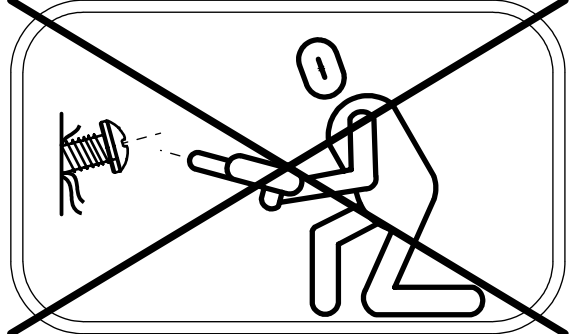
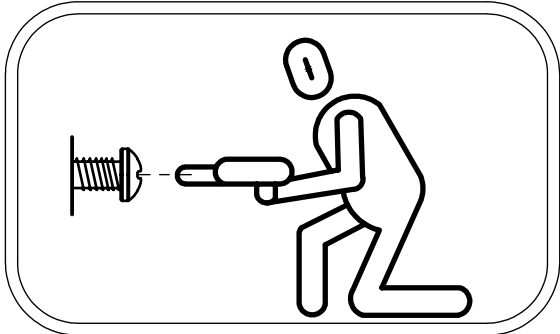
233120
x3

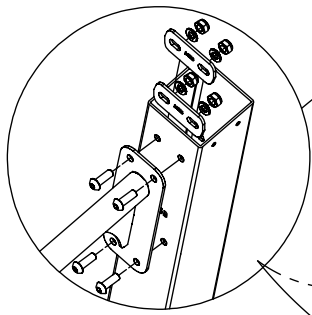


233118
x3

ST/INOX

15x	23e001
4x	23e003
25x	23e004
10x	23e008
4x	23e005
1x	236103
1x	236107
1x	236109
1x	236114
15x	996405
24x	M8x16

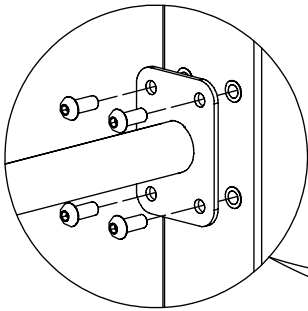




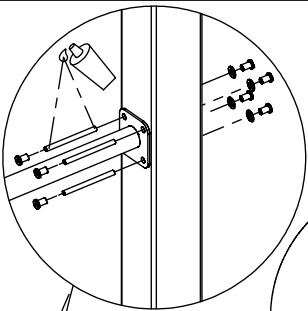
10x 23e004

232111
2x

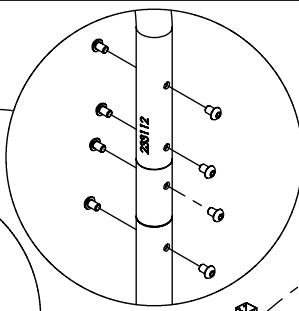
232100
6x



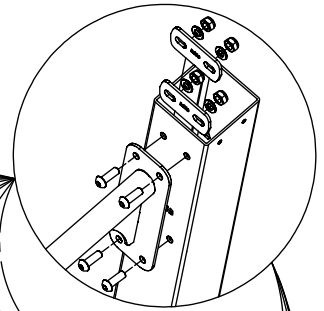
10x 23e008



4x 23e005



24x M8x16

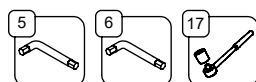


15x 23e004

232106
8x

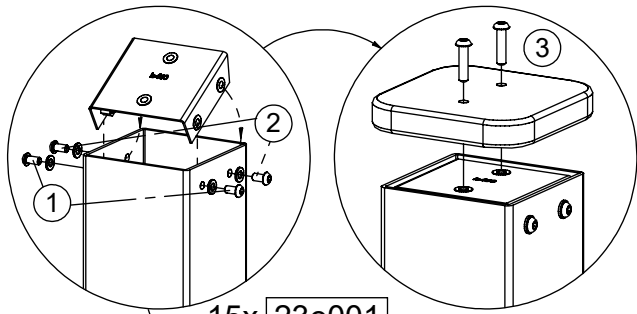
233120
3x

233102
3x

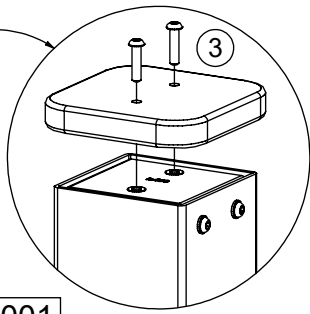


[cm]

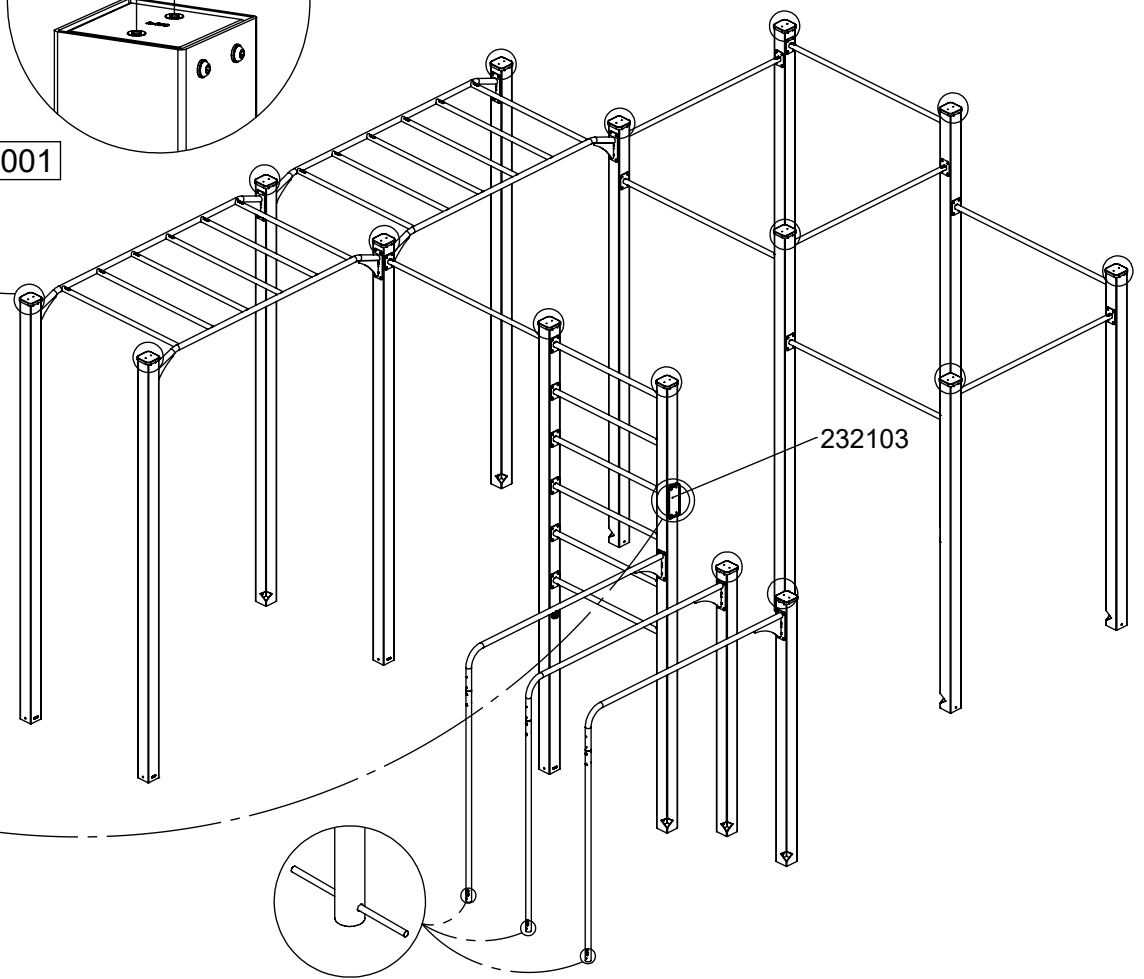
vinci
play



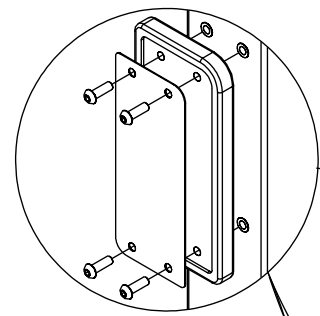
15x 23e001



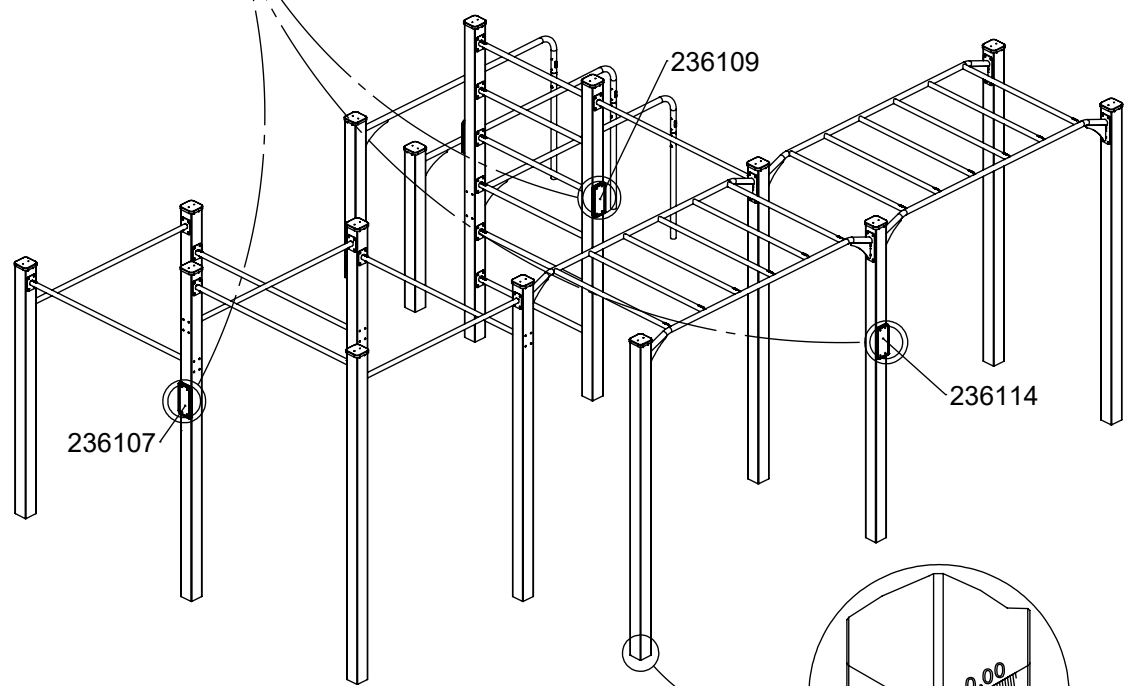
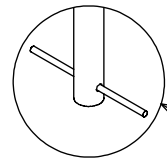
3



232103



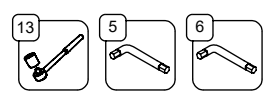
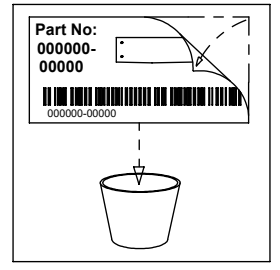
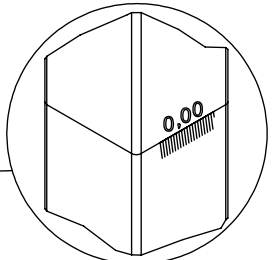
4x 23e003



236109

236114

236107



[cm]

vinci play