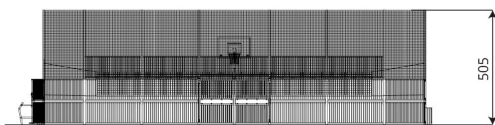
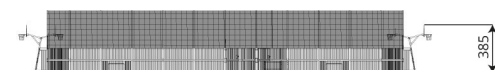
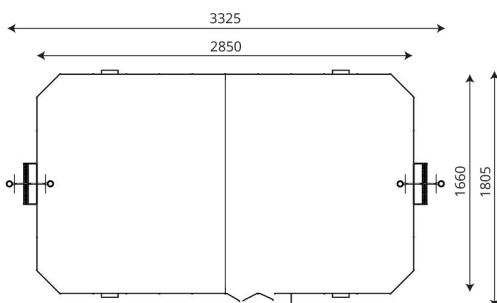


Product technical sheet

ARENA 2408A-17x31



Product data

Length	3325 cm
Width	1805 cm
Total height	505 cm
Age group	3+ years
In accordance with norm EN	15312:2007+A1:2010
Weight of the heaviest part	17,5 kg
Dimensions of the largest part	564 cm
Availability of spare parts	YES

Data is subject to change without prior notice.

Material specification

- Hot-dip galvanized steel structure with a 80 x 80 mm profile,
- Panels, wickets/entrances and technical gates made of hot-dip galvanized steel and / or made of HDPE board, resistant to weather conditions and / or made of a durable recycled composite, resistant to moisture and low temperatures,
- The goal made of hot-dip galvanized steel and HDPE board, resistant to weather conditions,
- Mini goal made of hot-dip galvanized steel,
- Baskets made of hot-dip galvanized steel, boards made of HDPE,
- Nets made of polypropylene (PP),
- Stainless steel screws and/or screws covered with plastic caps,
- Safe end caps on top of the structure made of rubber or polypropylene,

Additional information

- Generally available equipment for practicing many sports; equipment adapted for the disabled;
- equipment has a certificate issued by an accredited entity or a declaration of conformity;
- no sharp edges or chinks that would pose a danger of jimmie the head, fingers or any other body parts;
- anchoring on flat surface, 80/70/60 cm deep;
- render is for reference only, the actual appearance of the equipment and its color may vary;

Guarantee

30

30 year guarantee - Structural strength of steel and stainless steel components

15

15 year guarantee - Structural failure of steel and stainless steel, for dynamic equipment

10

10 year guarantee - Structural failure of high density polyethylene and high pressure laminates components

5

5 year guarantee - Corrosion of stainless steel and hot dip galvanized and powder coated components; against bark beetles and rot in case of wooden structural elements

Detailed information in the guarantee card

Vinci Group Sp. z o.o.
Seminaryjna 9 Street
99-400 Łowicz

VAT: 534-250-14-46
PHONE: +48 42 203 24 99 ext. 26
M: +48 793 404 991

biuro@vinci-play.com
info@vinci-play.com
www.vinci-play.com