



Product technical sheet

CASTILLO 3004-1



3 - 14 years



17 kids



33,4 m²



Material specification

- Powder galvanized and powder coated or stainless steel construction of 80 x 80 cm profile,
- Platforms and climbing walls made of durable anti-slip and waterproof HPL plate,
- Roofs and side panels made of durable HDPE plate, resistant to weather conditions,
- Slides made of stainless steel with durable HDPE side panels,
- Fireman's pole made of stainless steel,
- Educational panels and moving elements made of HDPE plate, resistant to weather conditions,
- Maze windows made of polycarbonate, balls made of synthetic material,
- Music panels made of durable HDPE and HPL plate, resistant to weather conditions,
- Durable climbing stones made of polyester resin composite with mineral fillers,
- Steel ropes in polypropylene braid, connected with durable plastic elements, stainless steel or aluminum,
- Stainless steel bars, ladders and handrails,
- Stainless steel screws and/or screws covered with plastic caps,
- Safe end caps on top of the structure made of rubber or polypropylene,



Facilitating disability



easy access



integration



Intellectual development



manipulation



music



thinking



Physical development



sliding



passage



climbing





1
number of slides



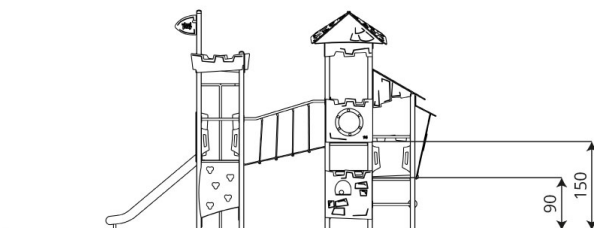
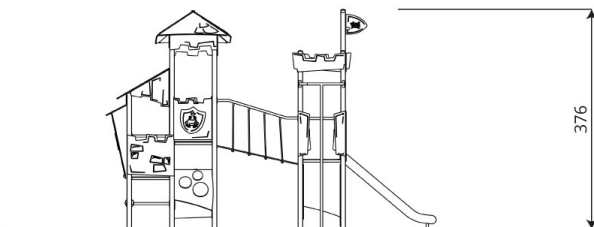
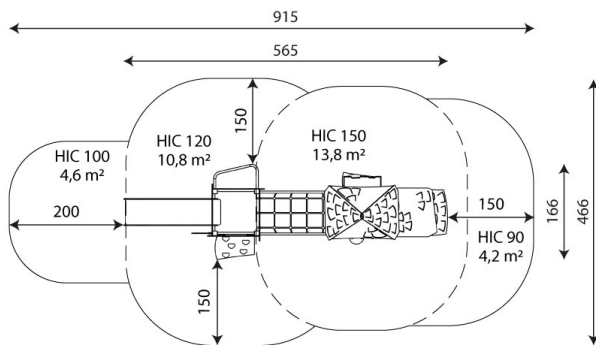
2
number of roofs



5
number of interactive elements



4
number of activity elements



Product technical sheet

CASTILLO 3004-1

Product data

Length	565 cm
Width	166 cm
Total height	376 cm
Age group	3 - 14 years
Number of users	17 kids
Safety zone	33,4 m2
Free fall height	150 cm
The height of the platforms	90, 120, 150 cm
In accordance with norm EN	1176-1:2017
Weight of the heaviest part	26 kg
Dimensions of the largest part	8x8x432 cm
Span length	5 cm
Availability of spare parts	YES
Color options	

Data is subject to change without prior notice.

Additional information

- equipment adapted for the disabled; intended for public playgrounds;
- equipment has a certificate issued by an accredited entity or a declaration of conformity;
- no sharp edges or chinks that would pose a danger of jimmieing the head, fingers or any other body parts;
- anchoring on flat surface, 80/70/60 cm deep;
- slide should not be installed southwards;
- render is for reference only, the actual appearance of the equipment and its color may vary;

Guarantee

30

30 year guarantee - Structural strength of steel and stainless steel components

15

15 year guarantee - Structural failure of steel and stainless steel, for dynamic equipment

10

10 year guarantee - Structural failure of high density polyethylene and high pressure laminates components

5

5 year guarantee - Corrosion of stainless steel and hot dip galvanized and powder coated components; against bark beetles and rot in case of wooden structural elements

Detailed information in the guarantee card

Vinci Group Sp. z o.o.
Seminarnyja 9 Street
99-400 Łowicz

VAT: 534-250-14-46
PHONE: +48 42 203 24 99 ext. 26
M: +48 793 404 991



biuro@vinci-play.com
info@vinci-play.com
www.vinci-play.com

Surfaces according to EN 1176-1:2017

	Description (mm)	Layer thickness (cm)	Maximum fall heights (cm)
Turf/ top layer of soil (A,B,C)	-	-	≤100
bark (A,C)	Particle size from 20 to 80	30	≤200
		40	≤300
woodchips (A,C)	Particle size from 5 to 30	30	≤200
		40	≤300
sand or gravel (A,C)	Particle size from 0,25 to 8	30	≤200
		40	≤300
synthetic attested (A,B,C)	Tested according to EN 1177		150

Product technical sheet

CASTILLO 3004-1

Amount of safe surface corresponding with free fall height:

HIC 90	4,2 m ²
HIC 100	4,6 m ²
HIC 120	10,8 m ²
HIC 150	13,8 m ²

Data is subject to change without prior notice.

