

# Assembling Instruction For 46825

## Components



A\*4



B\*2 (5\*60mm)



C\*6 (5\*50mm)



D\*4 (5\*40mm)

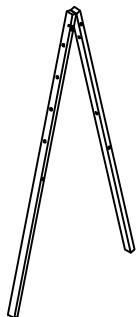


E\*4

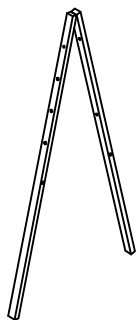


F\*10

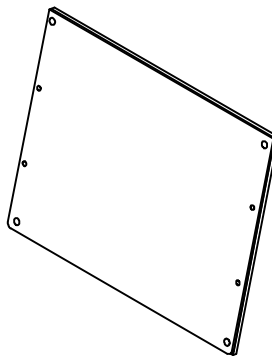
## Hardware



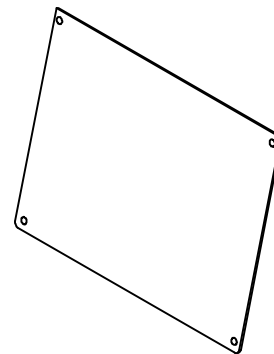
① 1pc



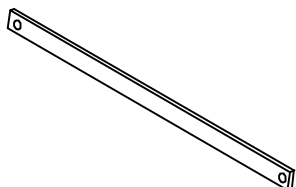
② 1pc



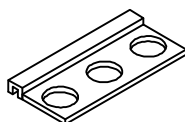
③ 1pc



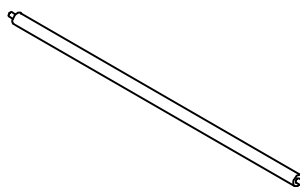
④ 1pc



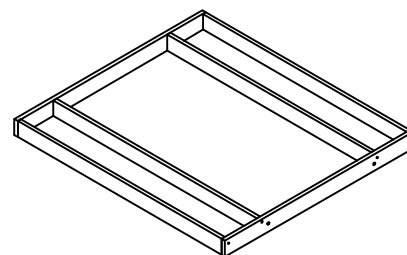
⑤ 2pcs



⑥ 1pc



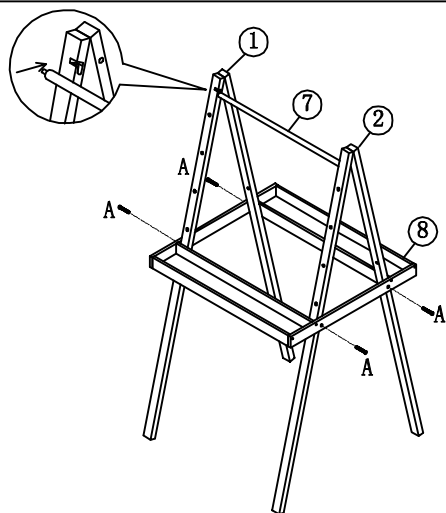
⑦ 1pc



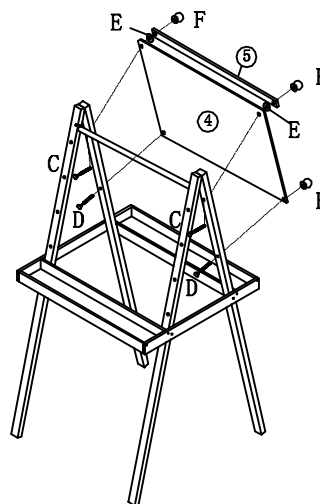
⑧ 1pc

# Assembling Instruction For 46825

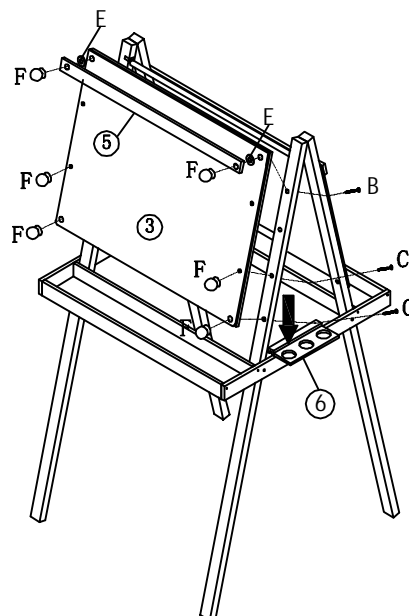
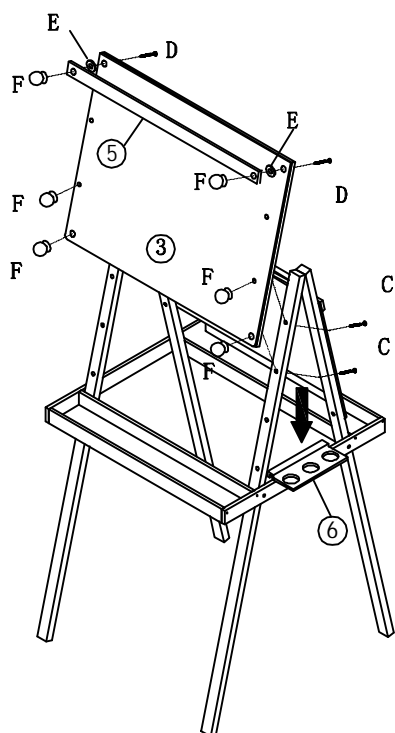
1



2



3



4

