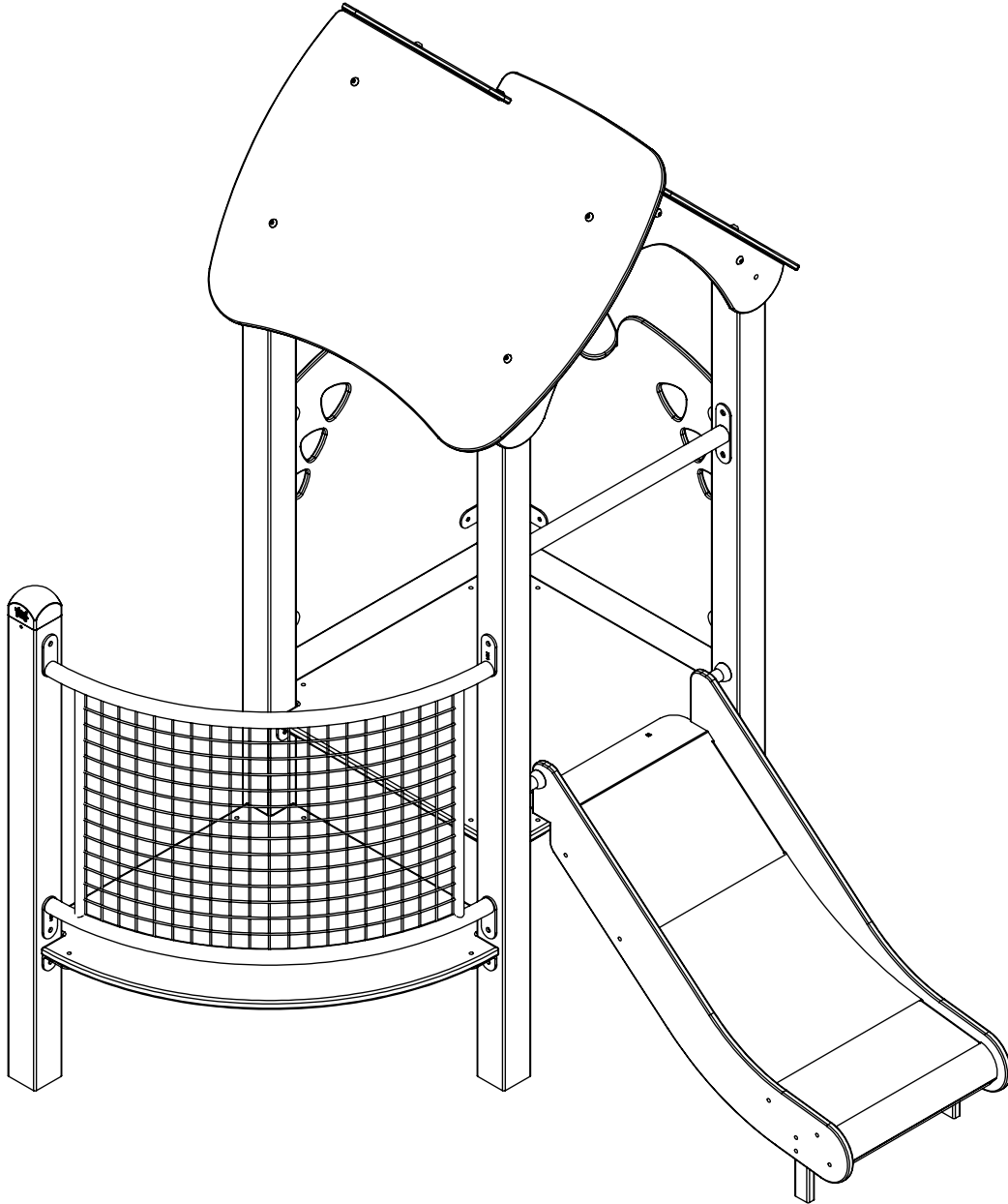
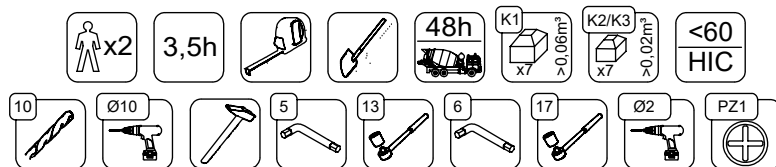


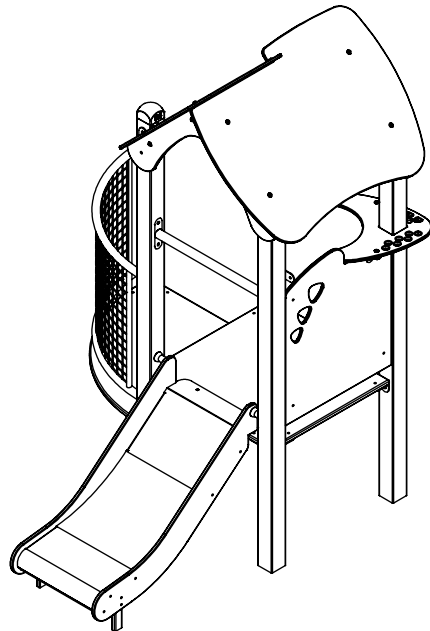
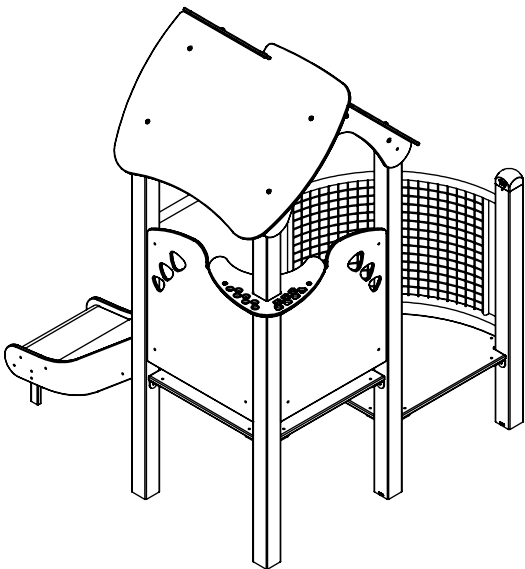
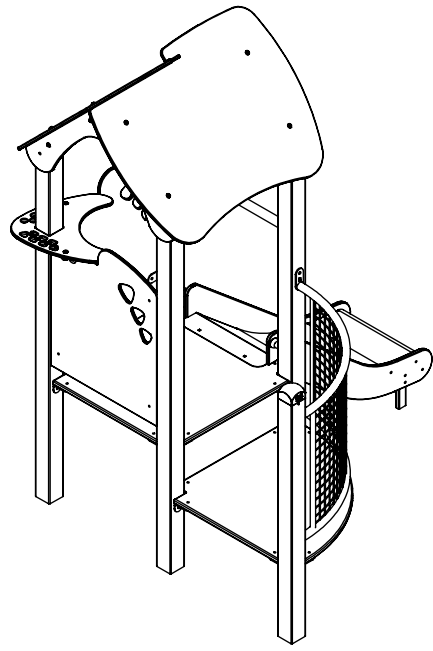
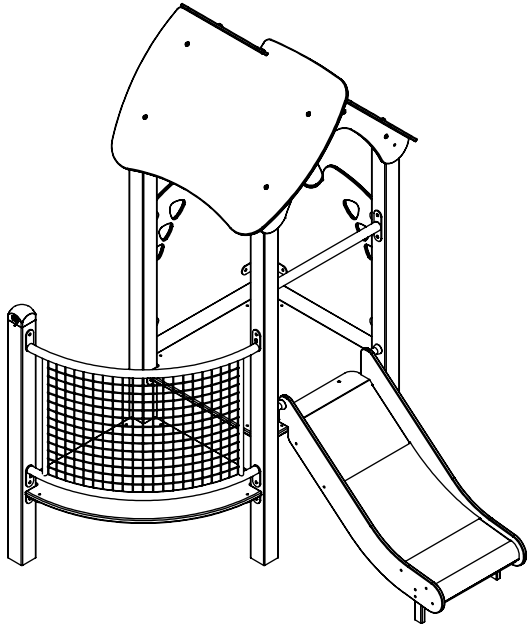
0105



v012
04.04.2021
A. P.
[cm]

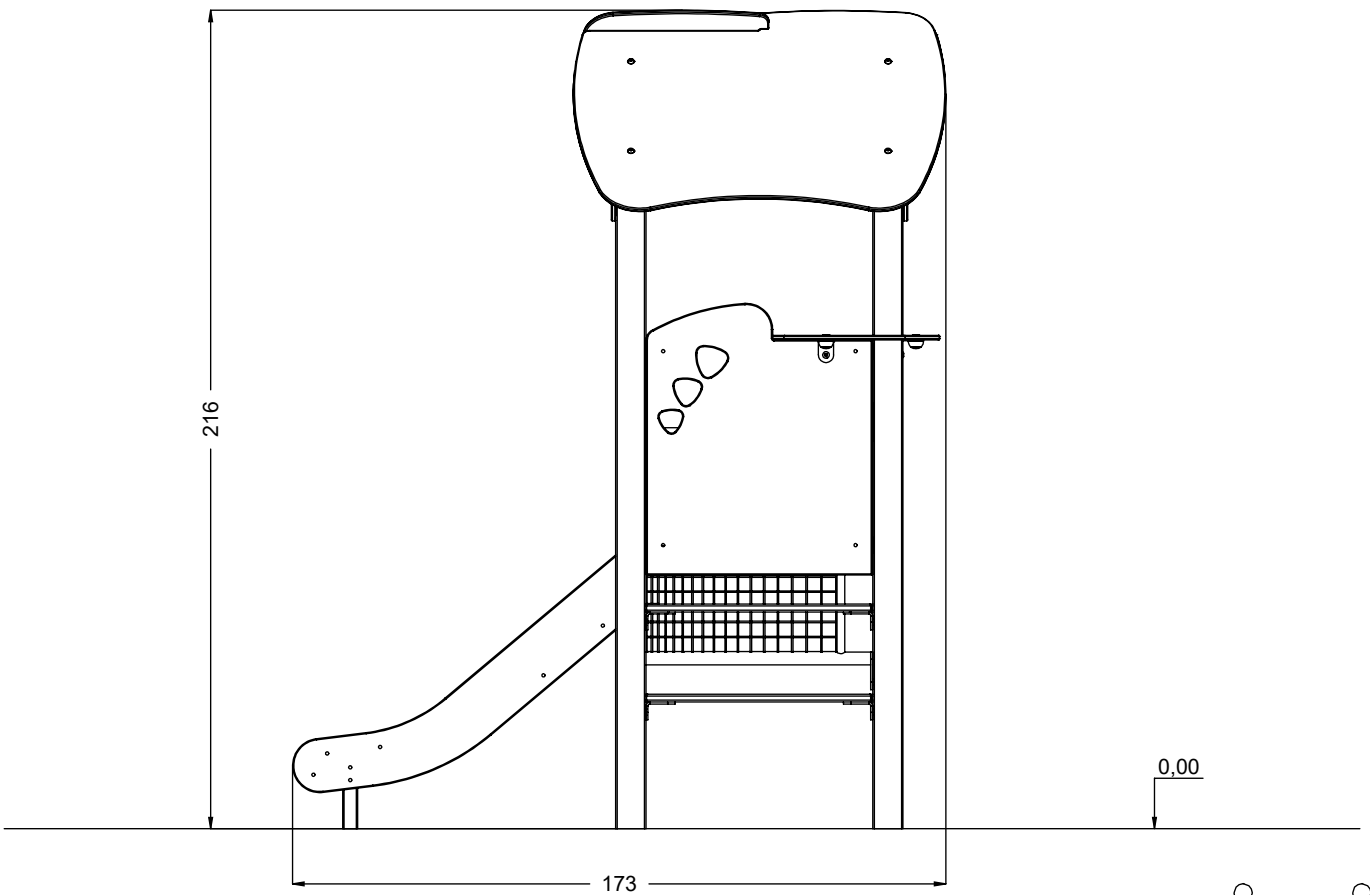
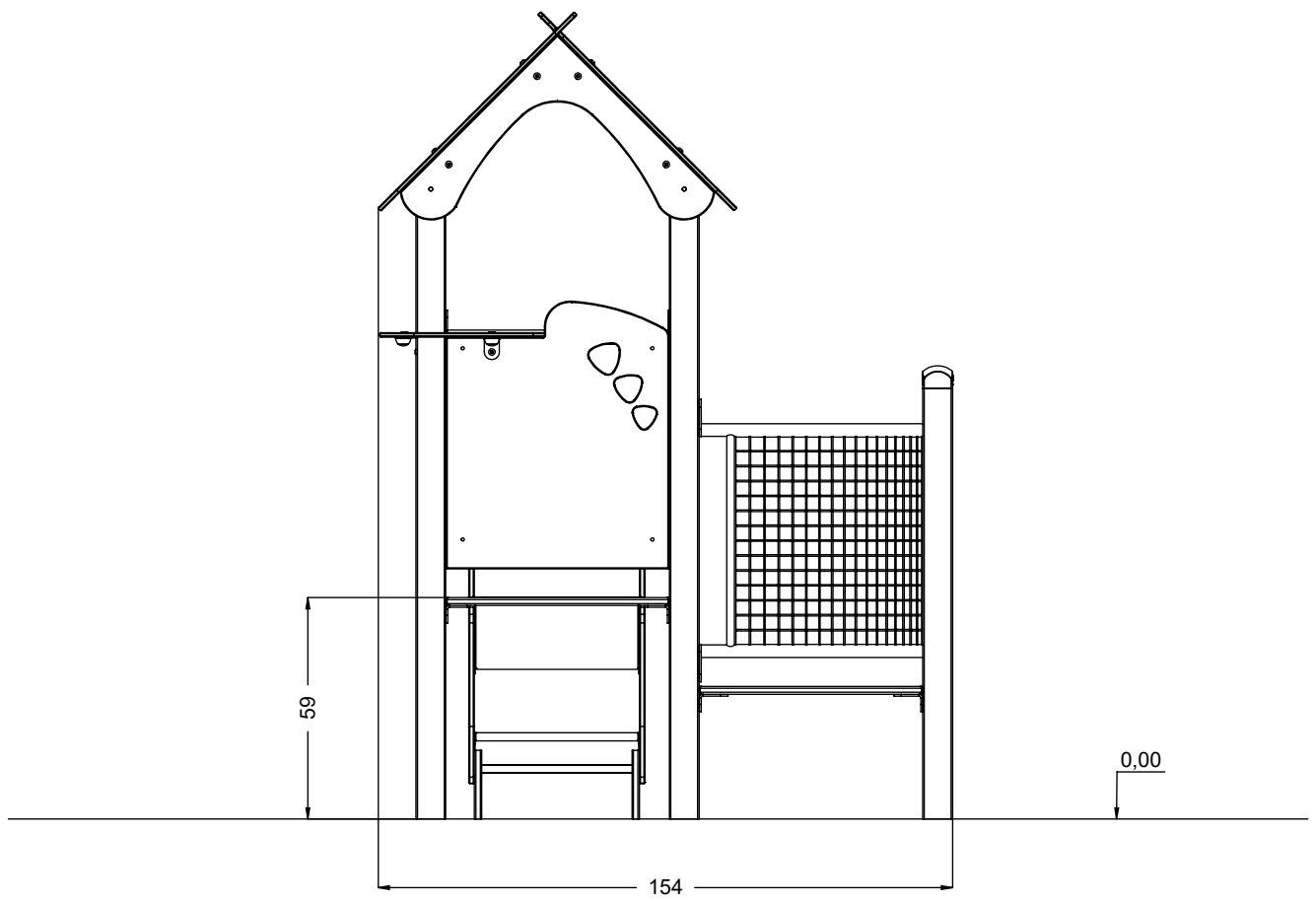


vinci
play



[cm]

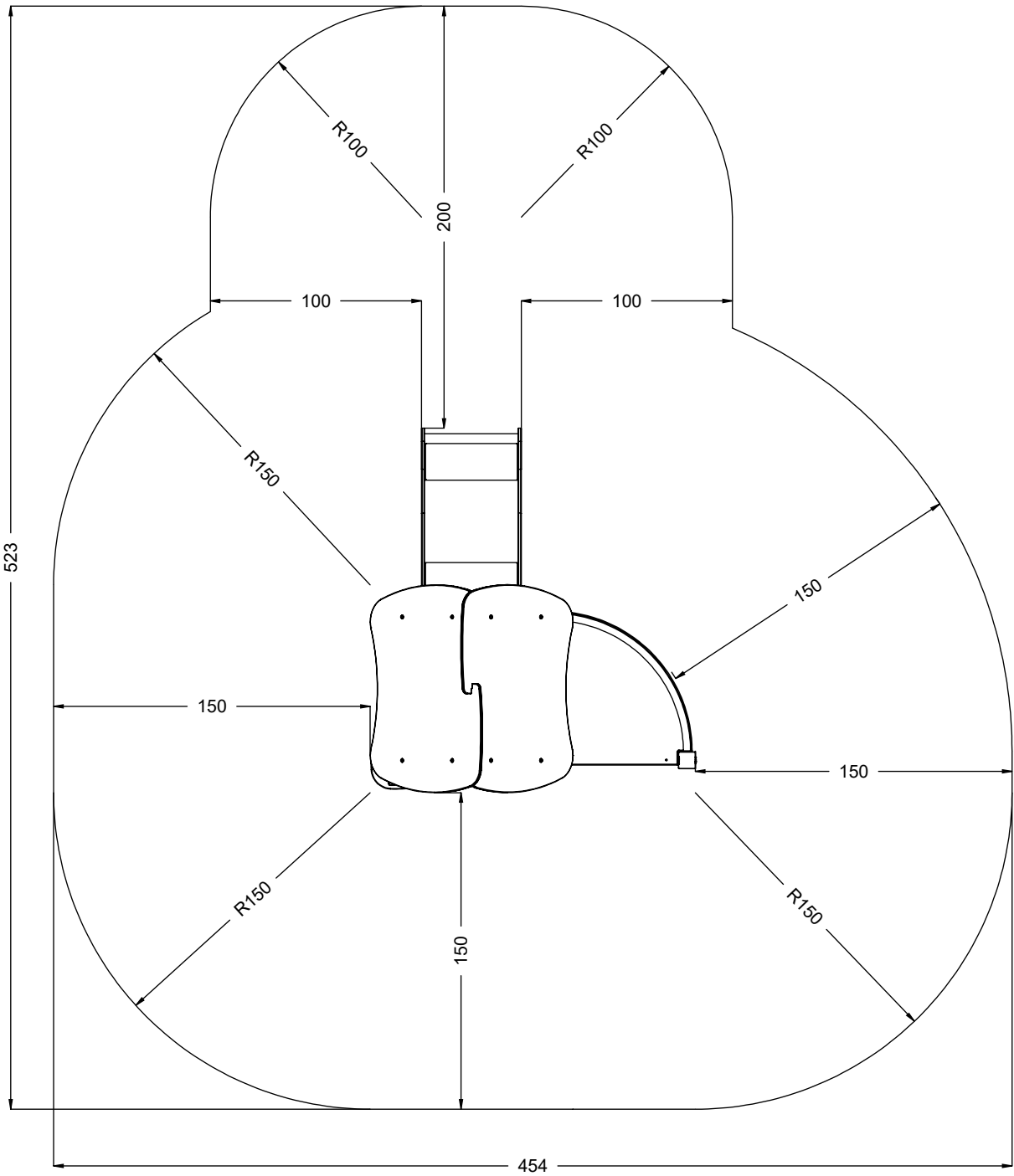
vinci
play



[cm]



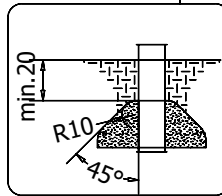
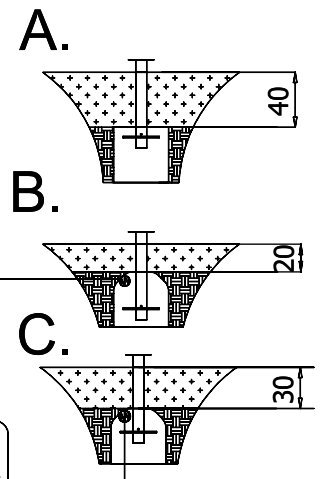
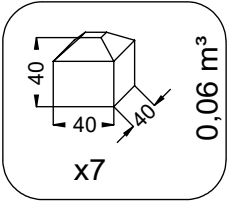
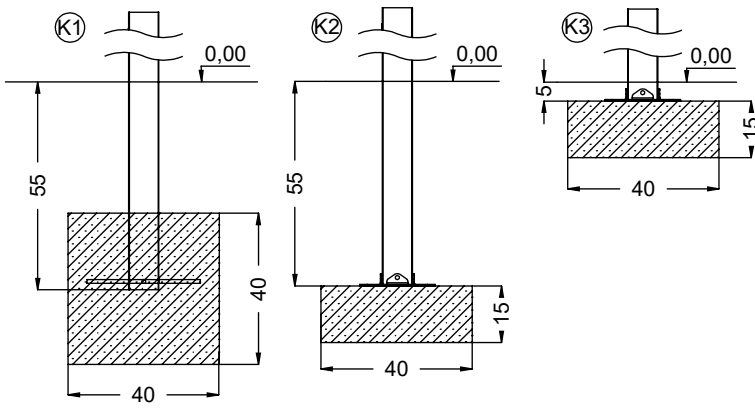
vinci
play



[cm]



vinci
play



20x M10x120 (K2)
22x M10x120 (K3)

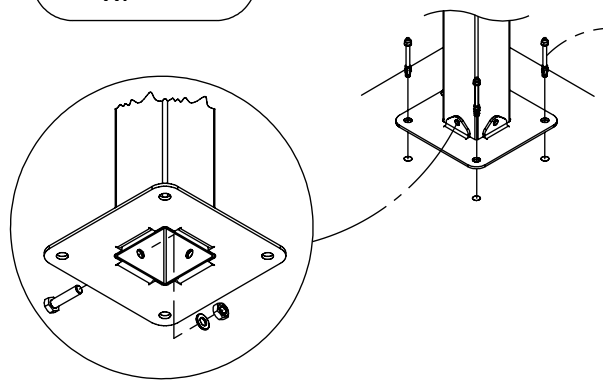
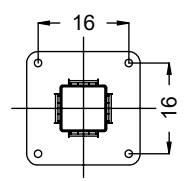
Ø10

NOT INCLUDED

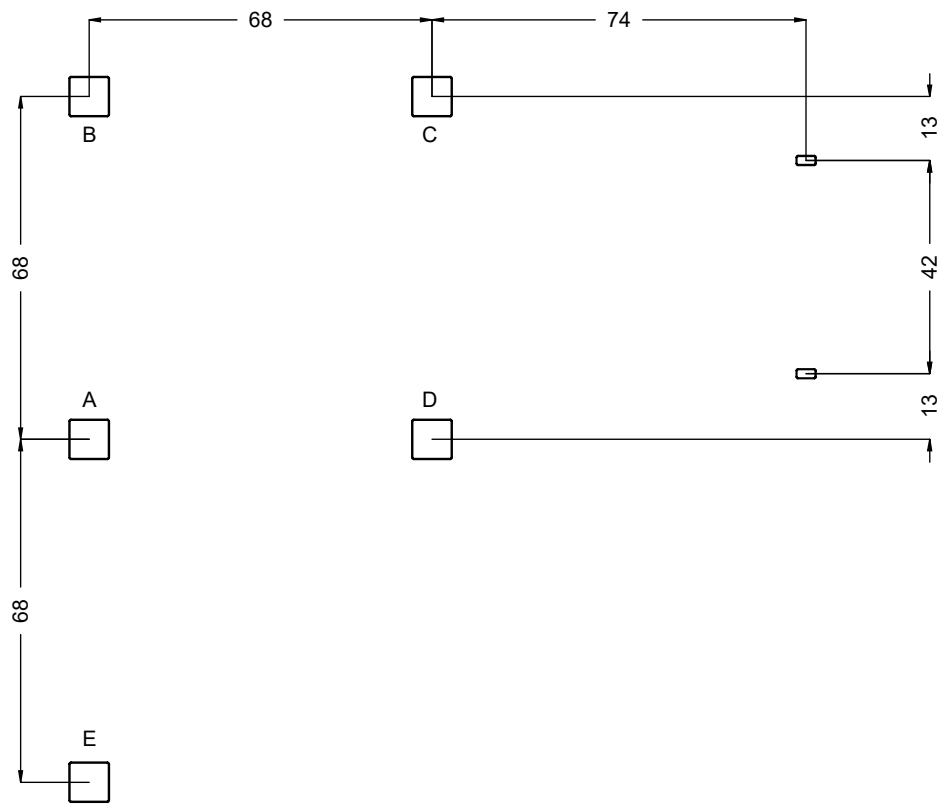
2x M8x120 (K2)

Ø8

NOT INCLUDED



E37



[cm]

x2
 3,5h

 48h
 K1 x7 >0,06m³
 K2/K3 x7 >0,02m³

vinci play



0105 A
x1



0105 B
x1



0105 C
x1



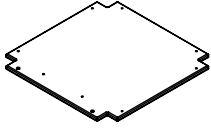
0105 D
x1



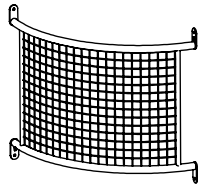
0105 E
x1



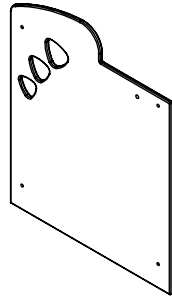
011231
x1



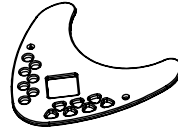
011226
x1



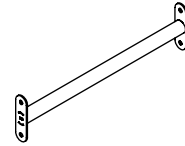
012100
x1



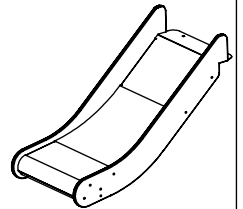
011113
x2



011115
x1



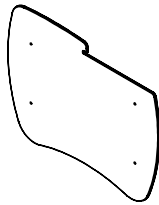
012101
x1



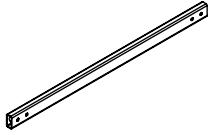
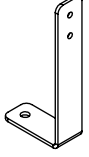
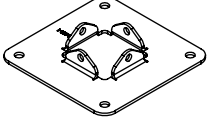
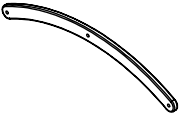
994146
x1



011119
2x

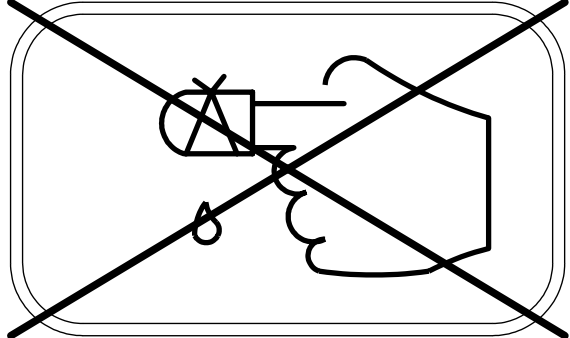
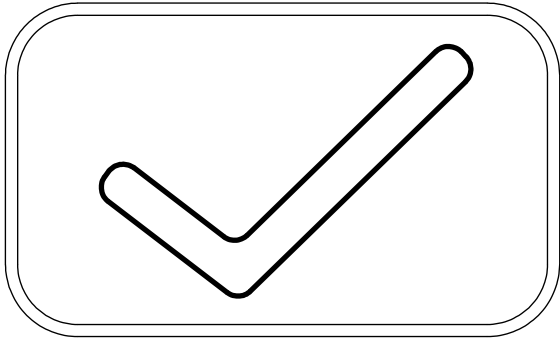
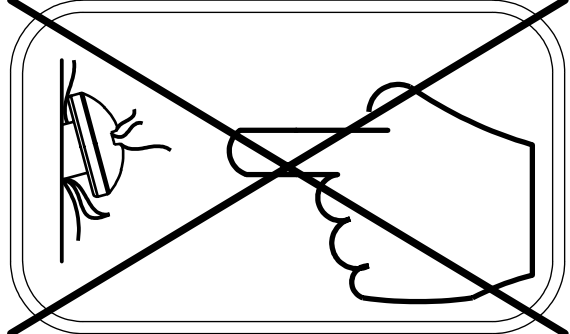
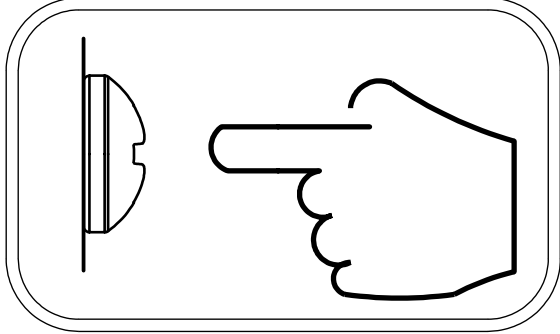
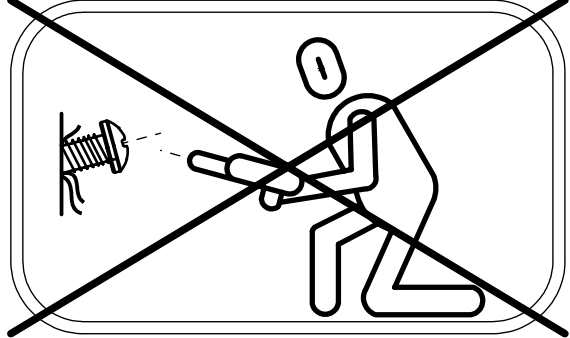
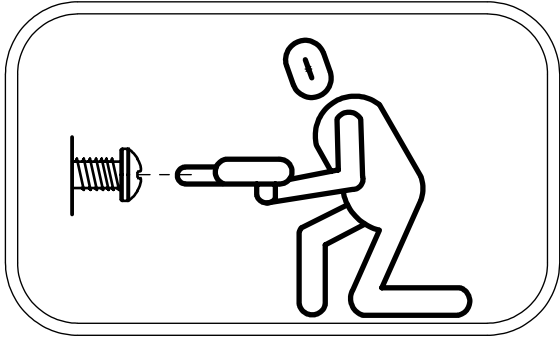


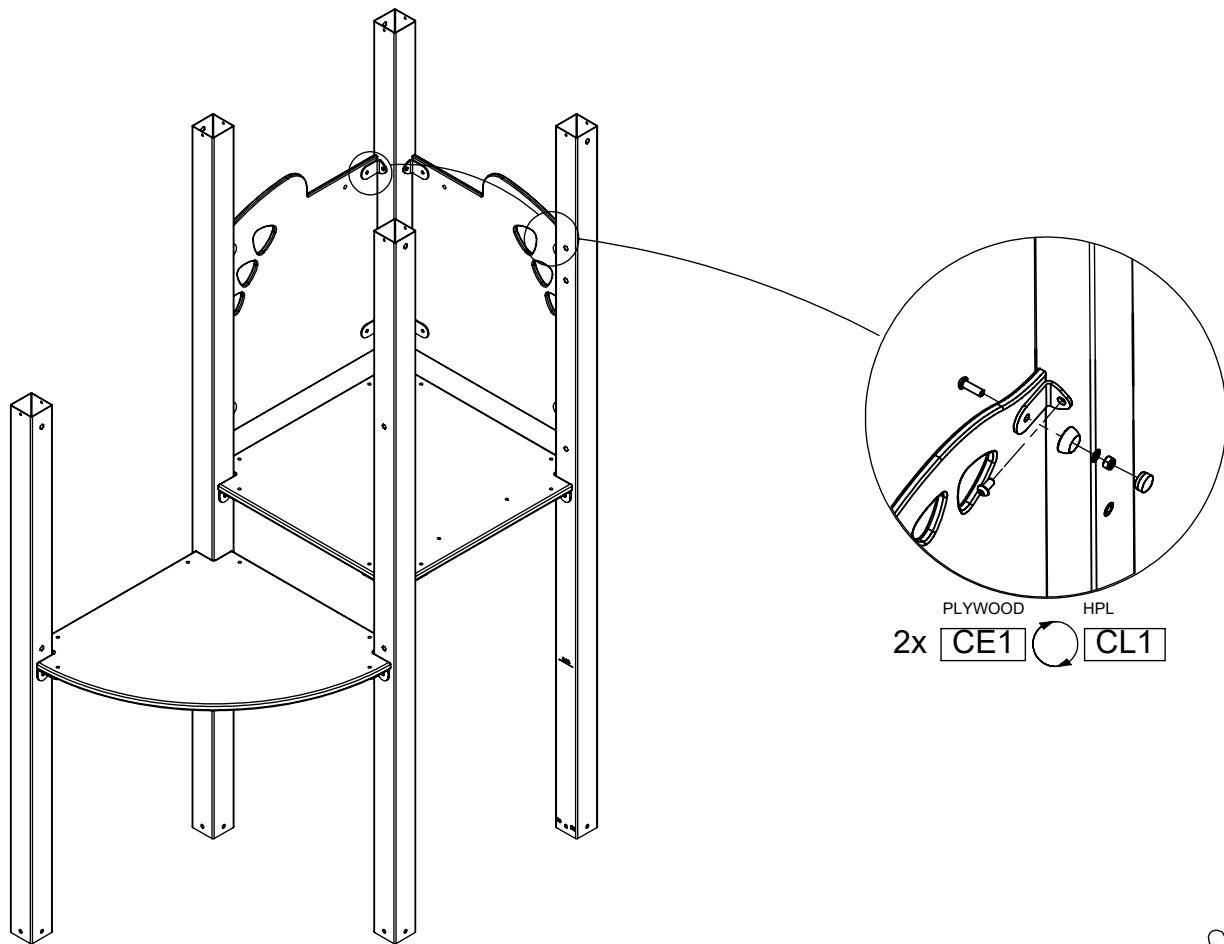
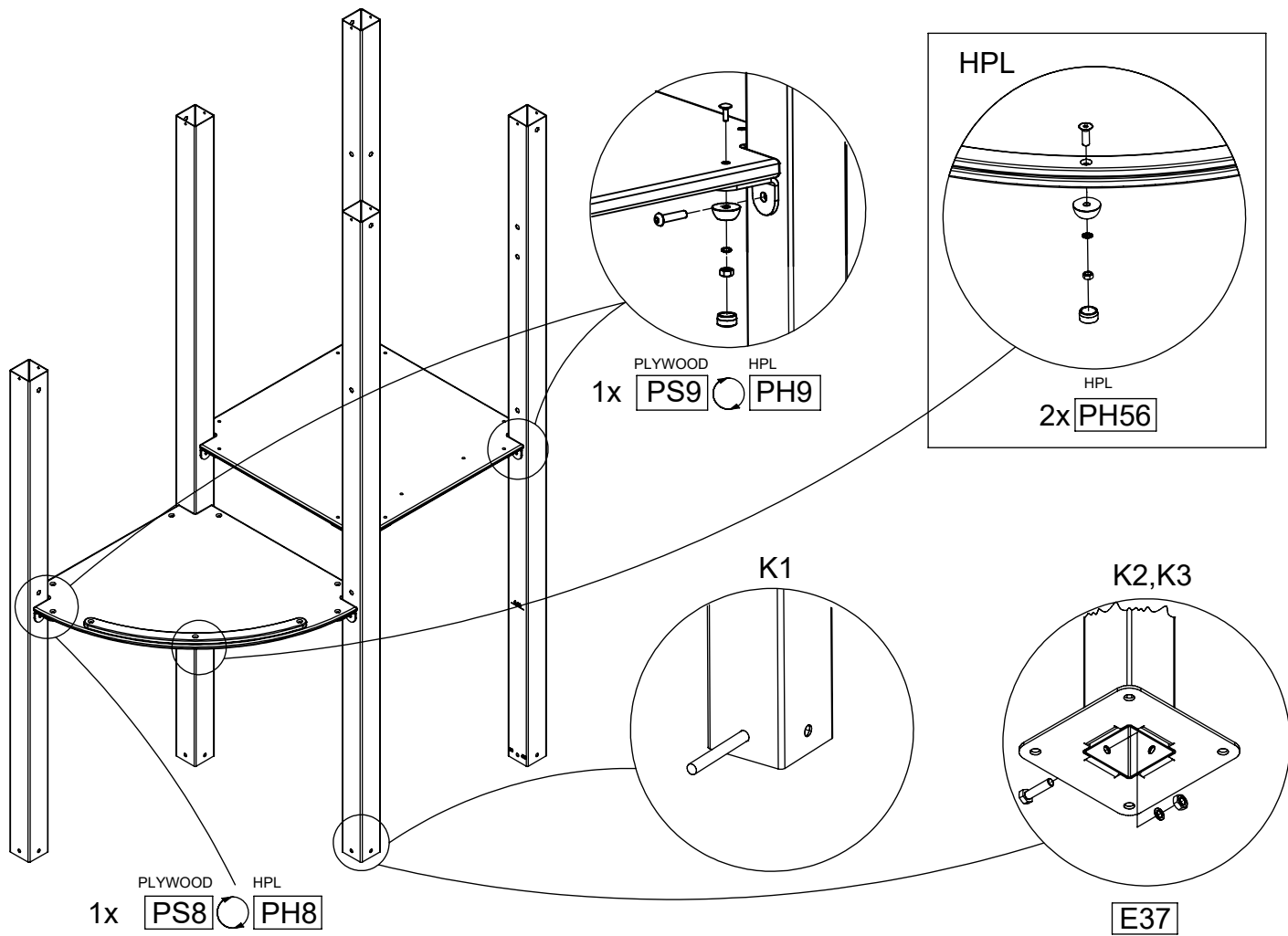
011143
2x

<p>K1,K2</p>  <p>p78 x2</p>	<p>K3</p>  <p>b219-2 x2</p>	<p>K2,K3</p>  <p>b231 x5</p>	<p>HPL</p>  <p>011230 x1</p>
---	---	--	--

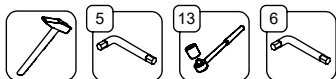
	HDPE	HPL	ST/INOX
2x	CE1	CL1	
1x	CE3	CL3	
1x	CE26	CL26	
1x	CE111	CL111	
1x	CE112	CL112	
2x			E1
1x			E34 ^{K1,K3}
1x			E35 ^{K2}
			E37 ^{K2,K3}
1x			V001

	PLYWOOD	HPL
1x	PS8	PH8
1x	PS9	PH9
1x	PS19 ^{S1}	PH19 ^{S1}
1x	PS41 ^{S6}	PH41 ^{S6}
1x		PH56

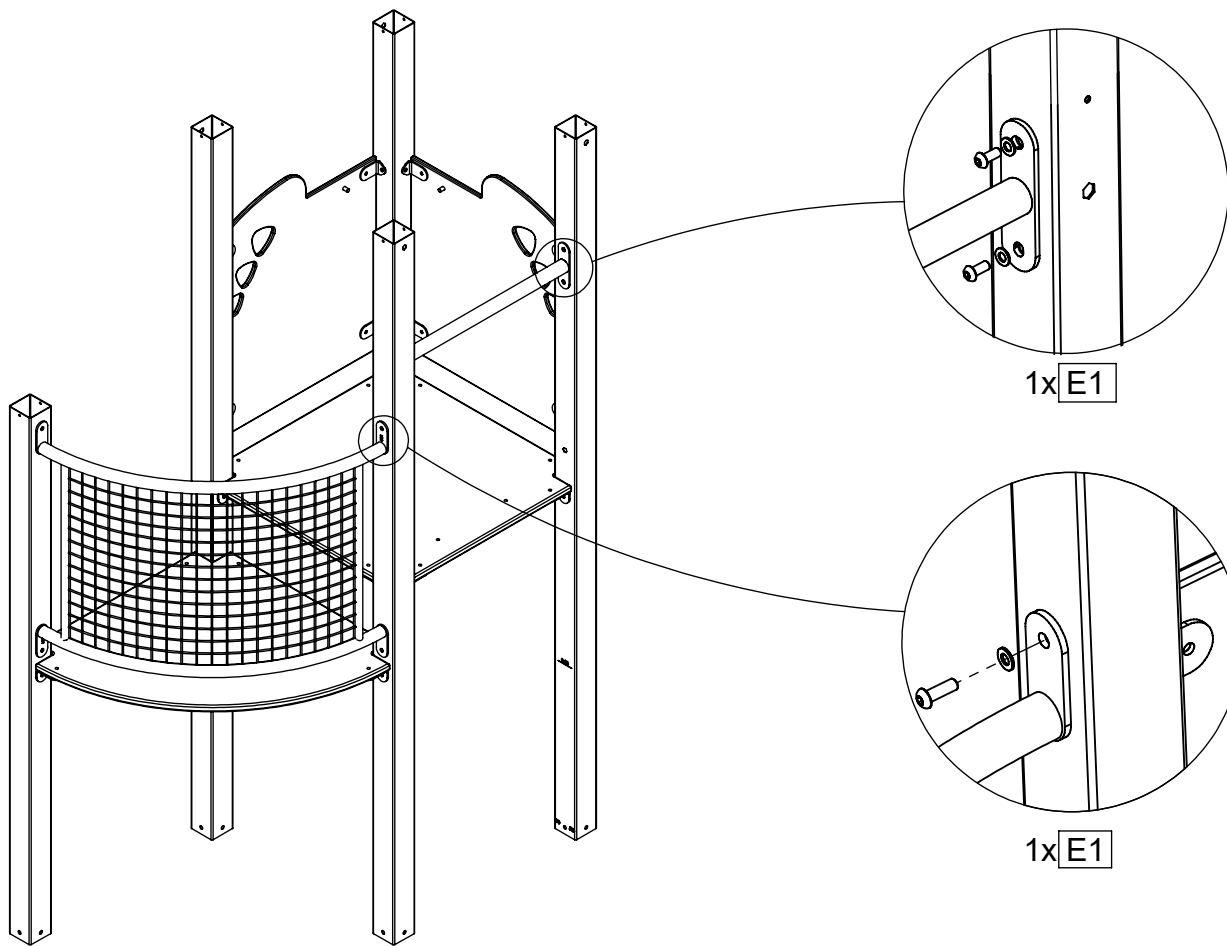




[cm]

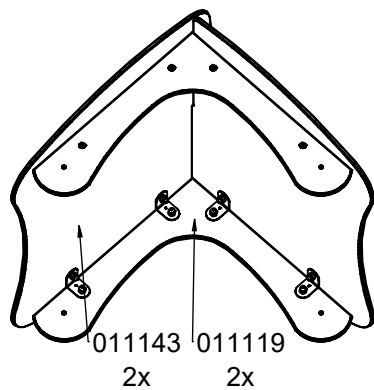


vinci
play

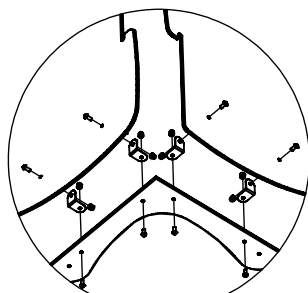


1x E1

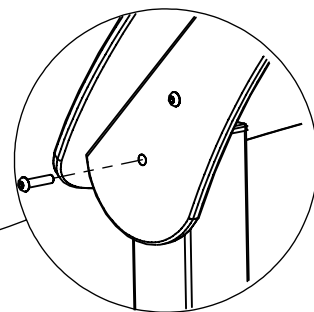
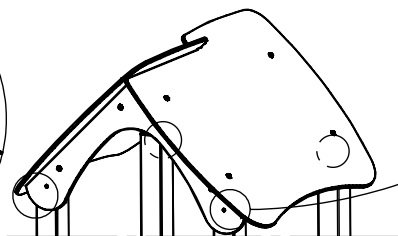
1x E1



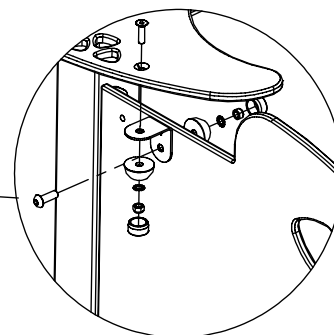
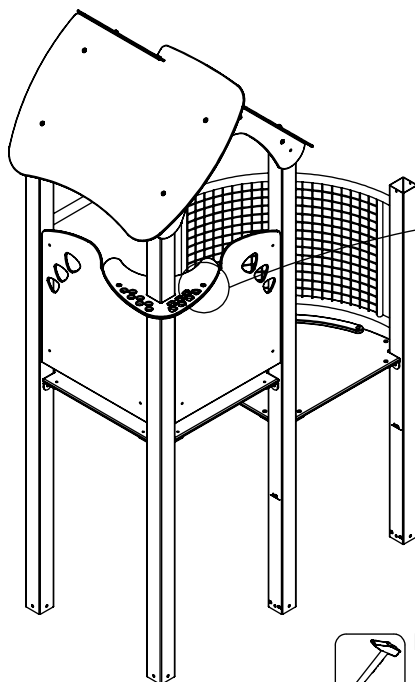
011143 011119
2x 2x



HDPE HPL
1x CE3 CL3



HDPE HPL
1x CE111 CL111

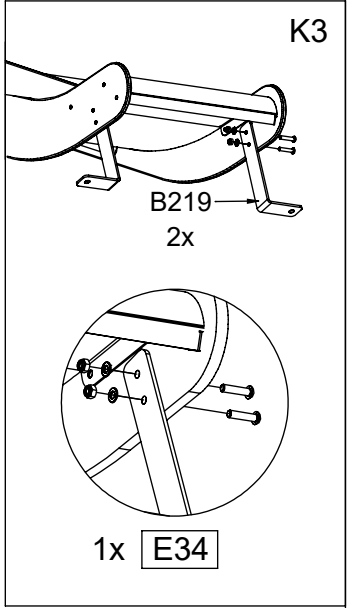
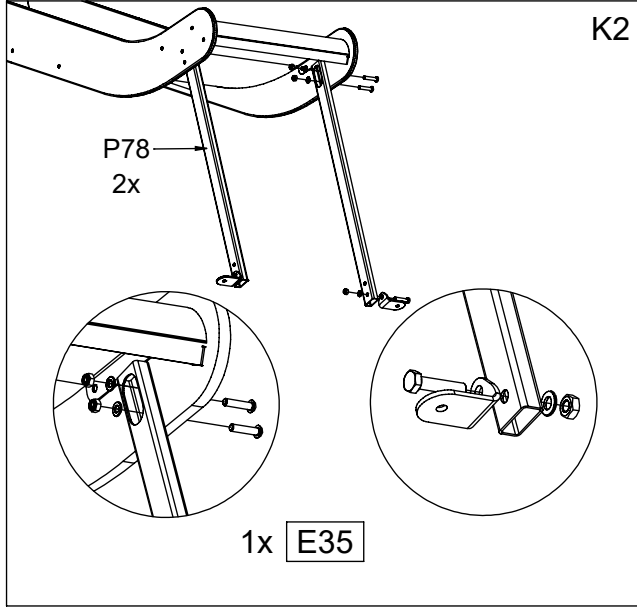
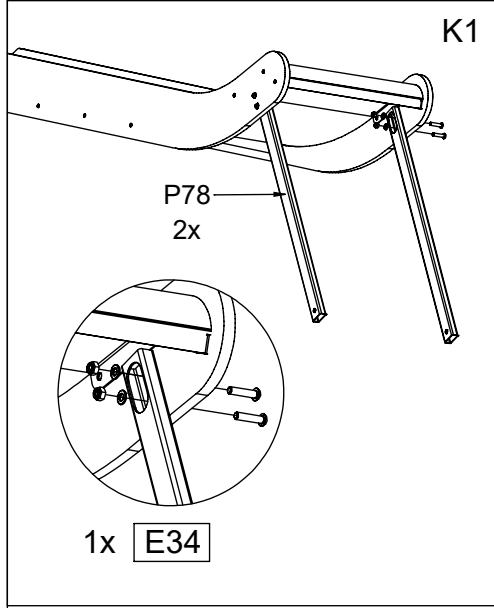
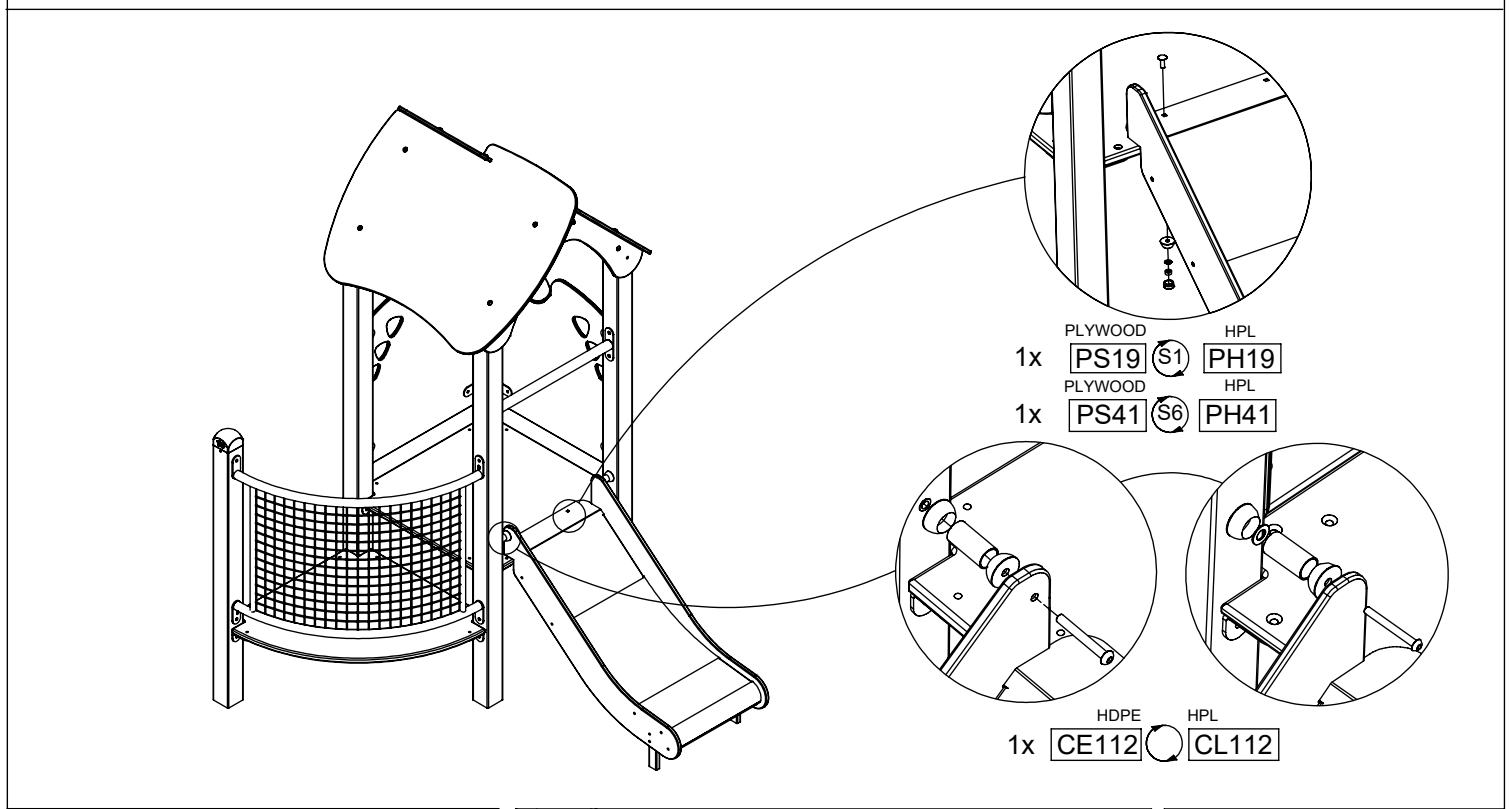
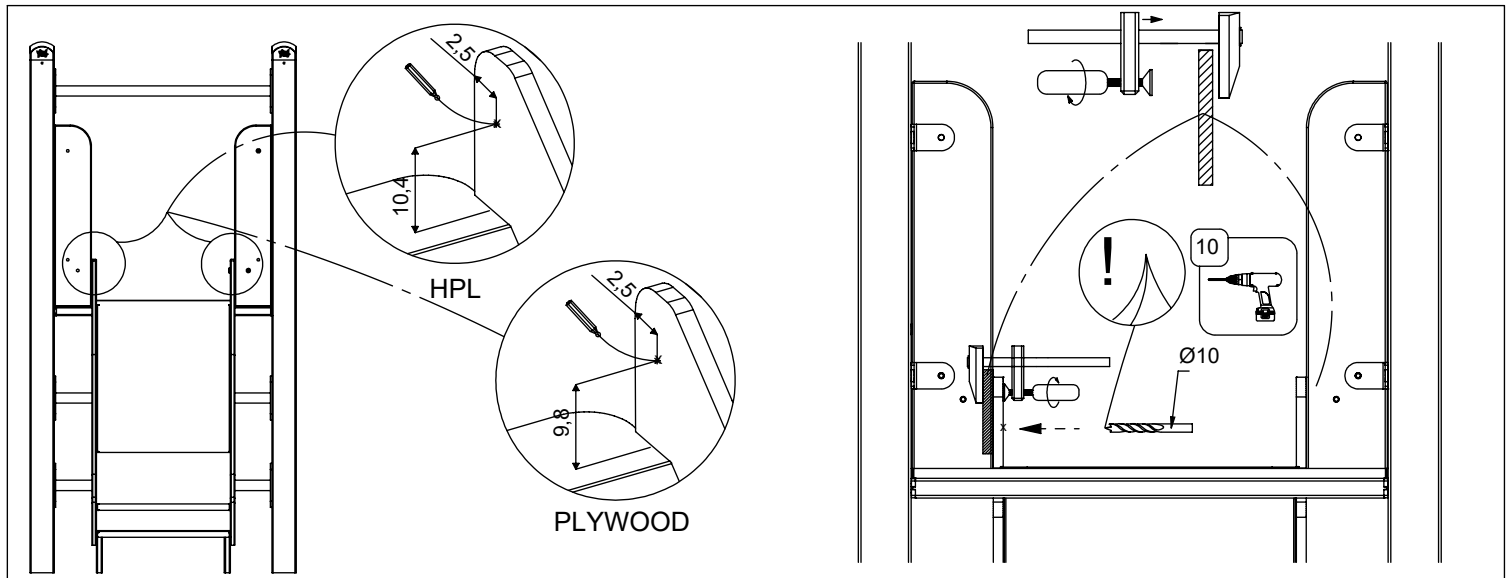


HDPE HPL
1x CE26 CL26

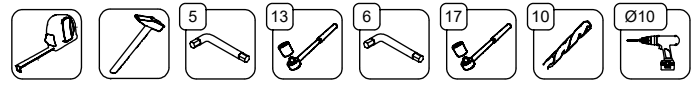
[cm]



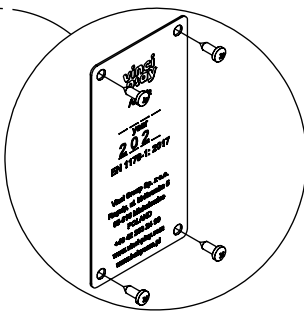
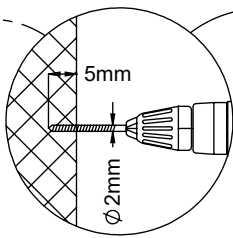
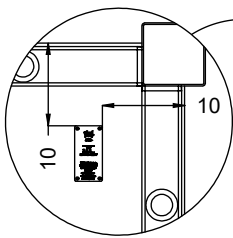
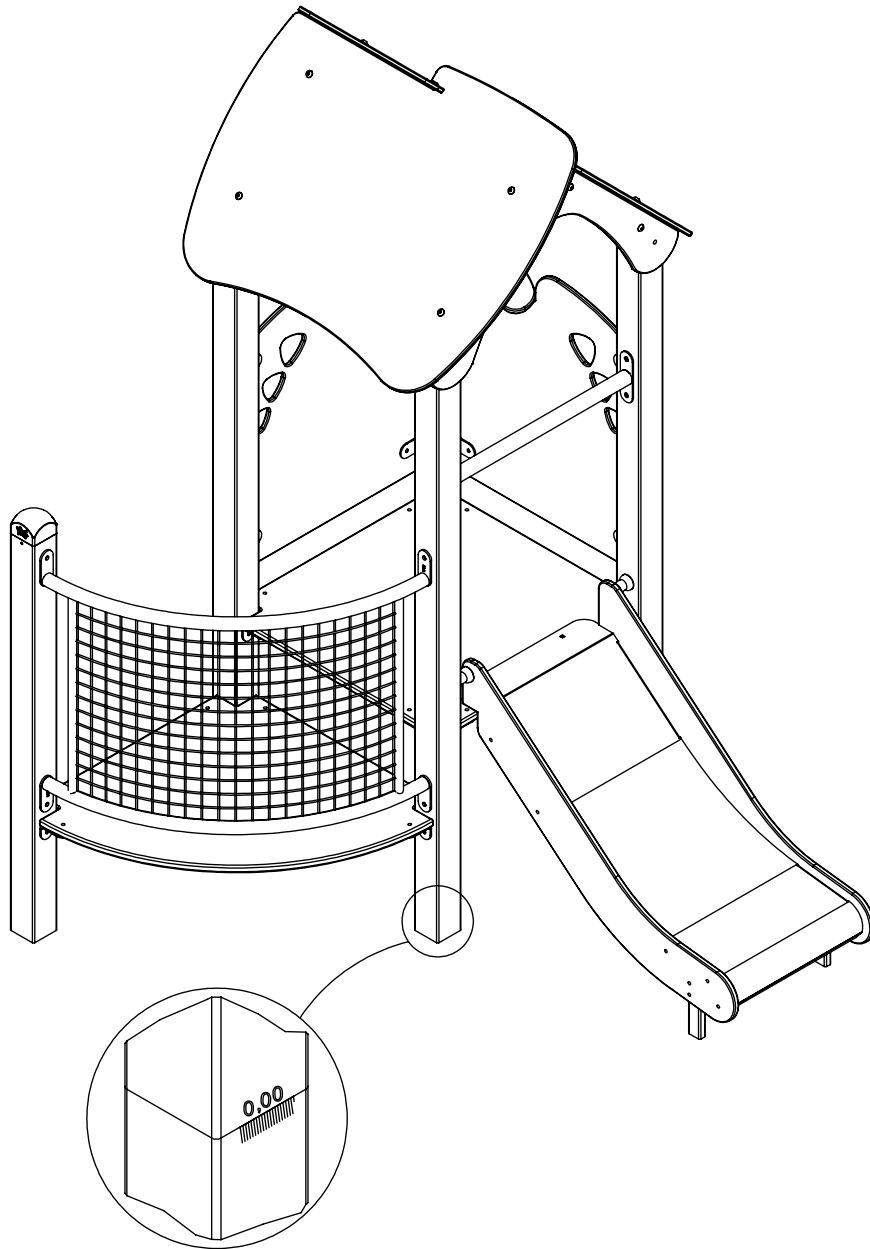
vinci
play



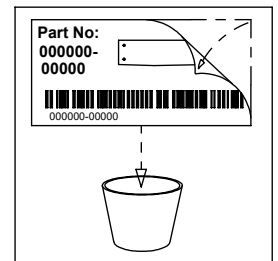
[cm]



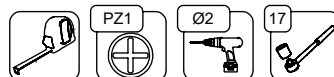
vinci
play



V001



[cm]



vinci
play