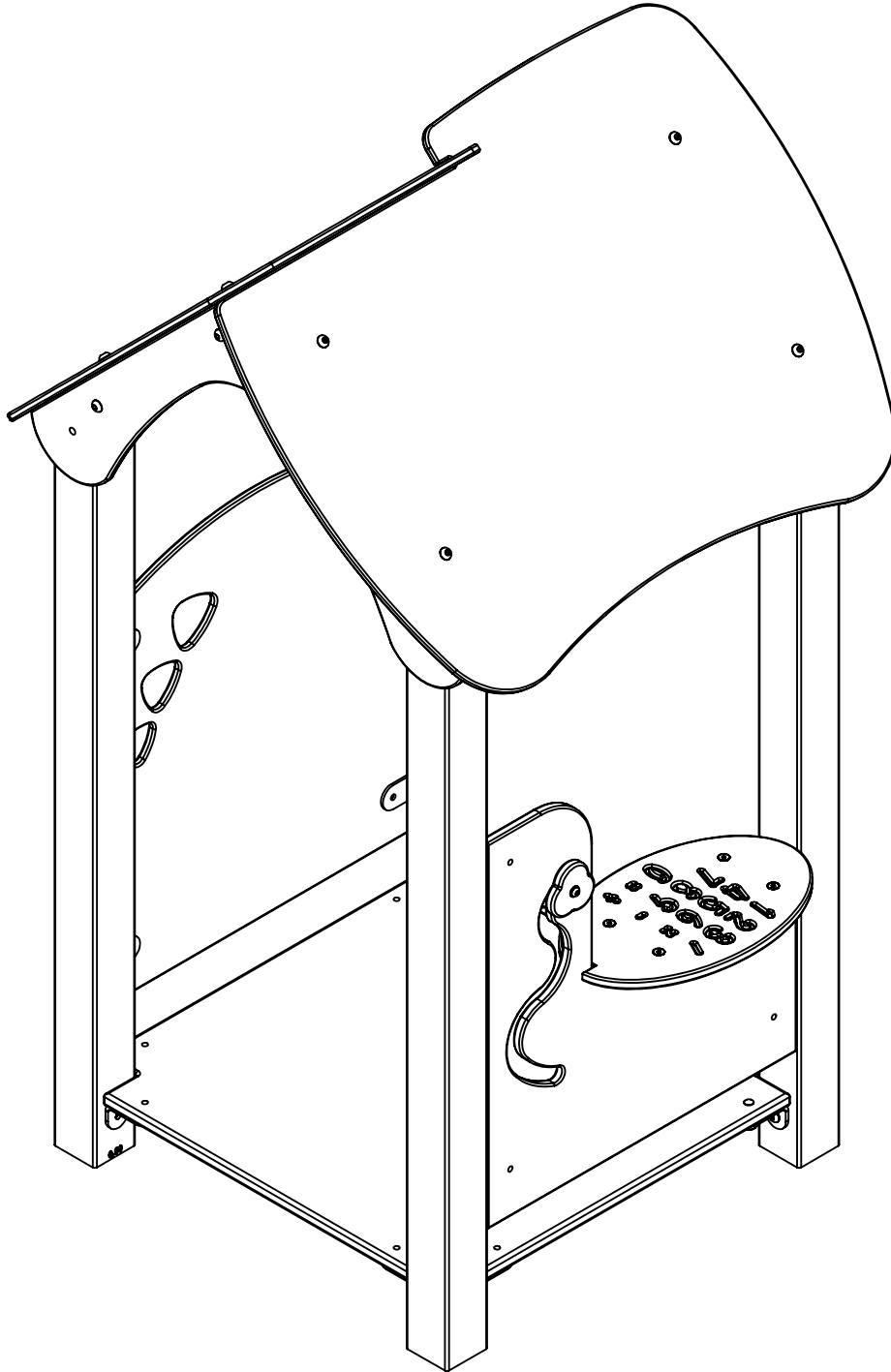


0100



[cm]

v012
27.07.2020
A.P.



2h

<60
HIC

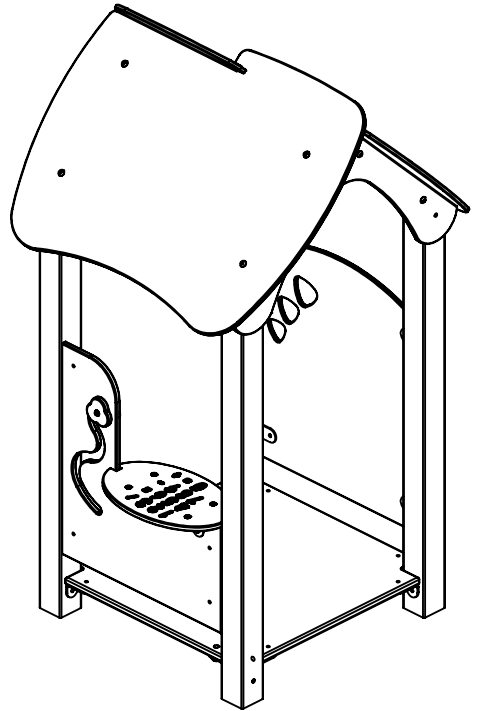
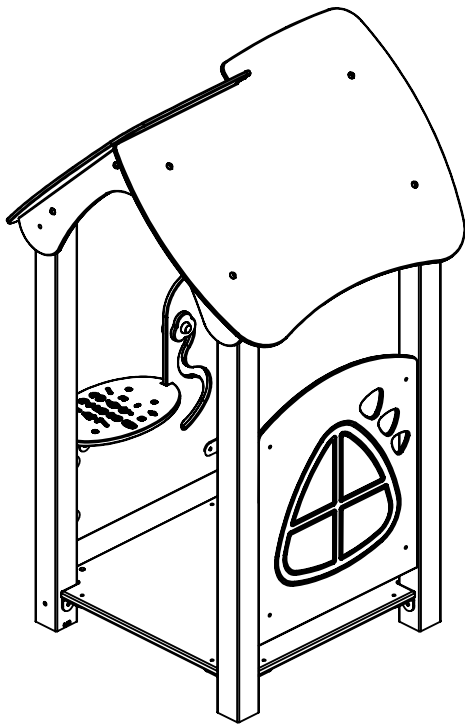
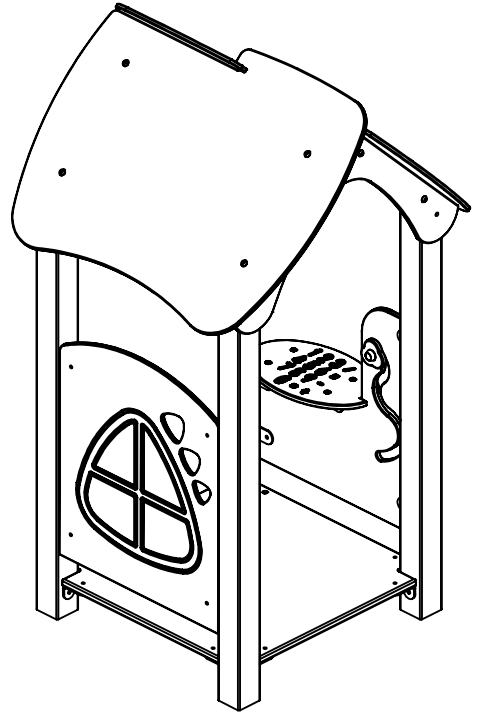
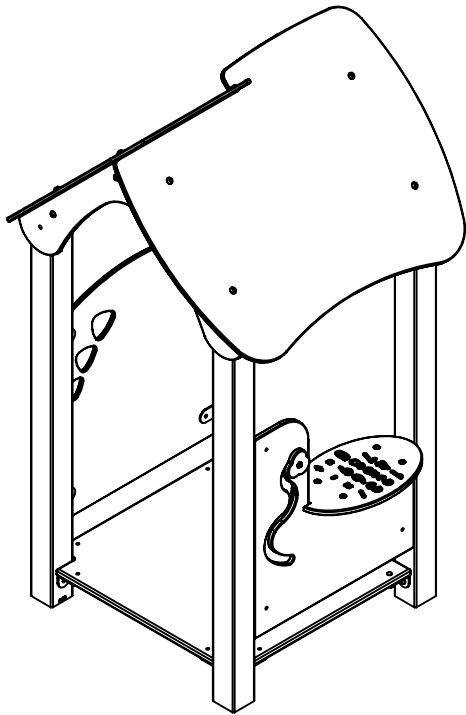
48h

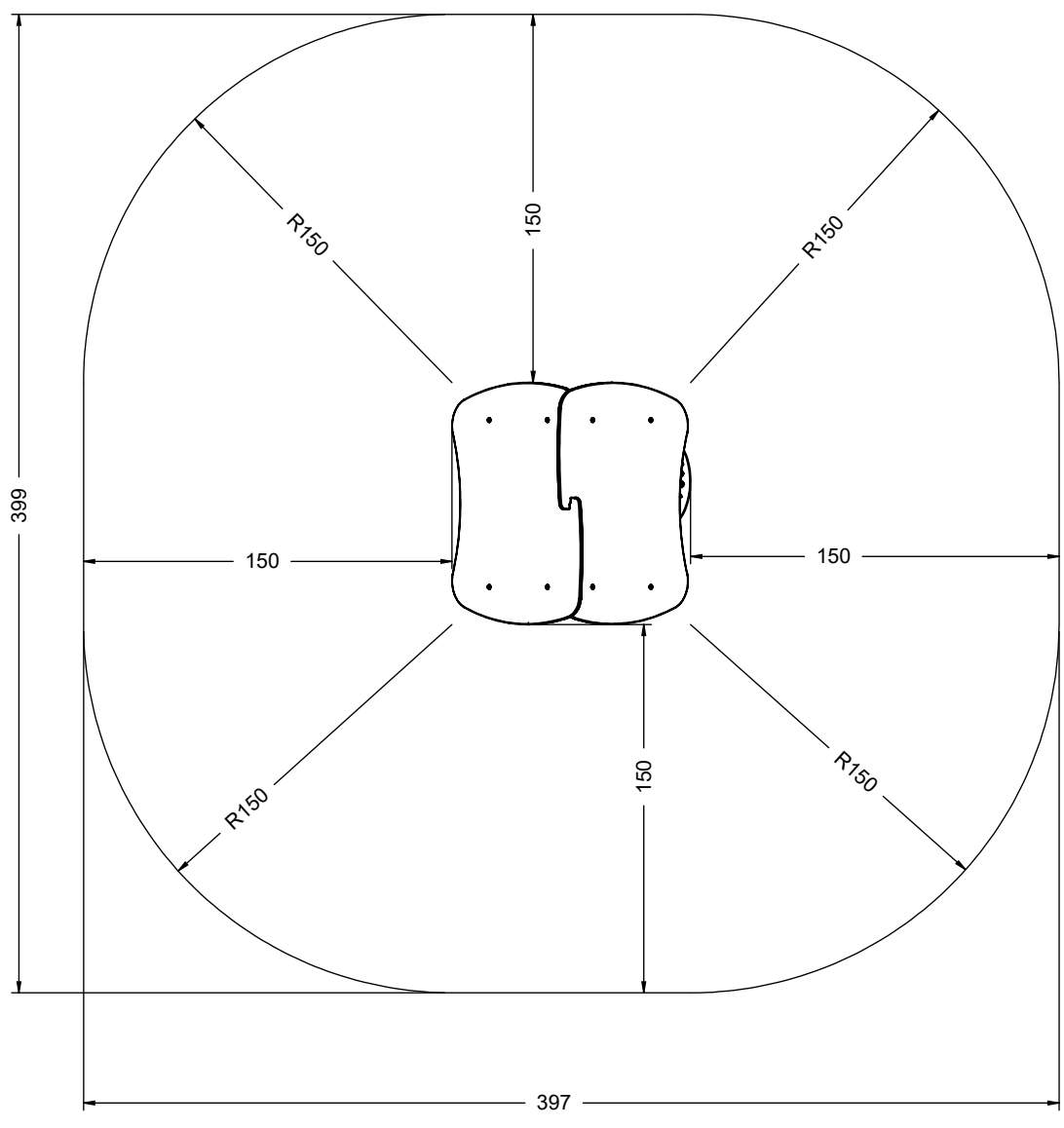
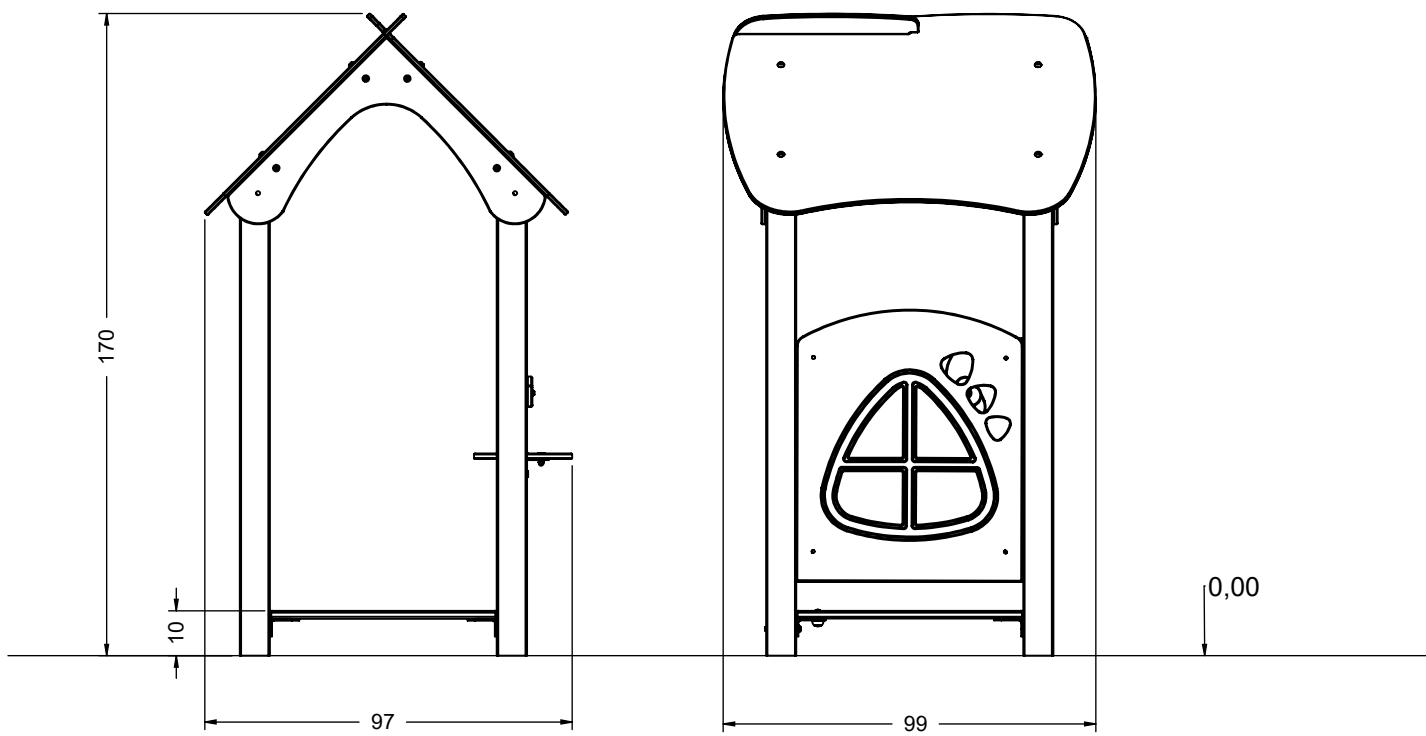
x4
0.06 FT

K2/K3
x4
~0.02 TIT



vinci
play

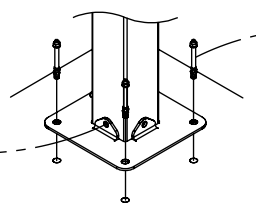
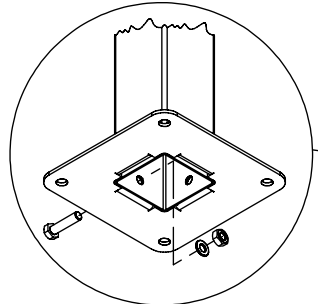
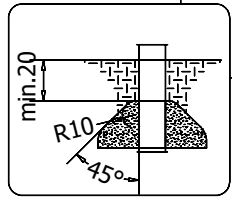
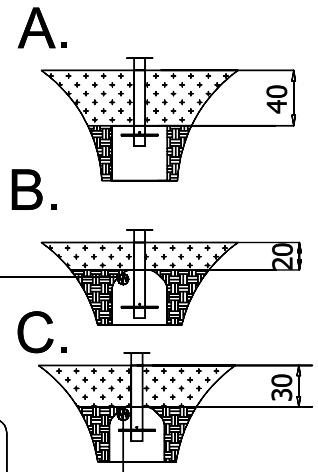
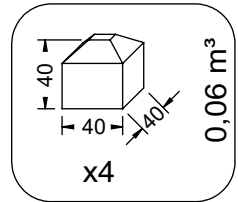
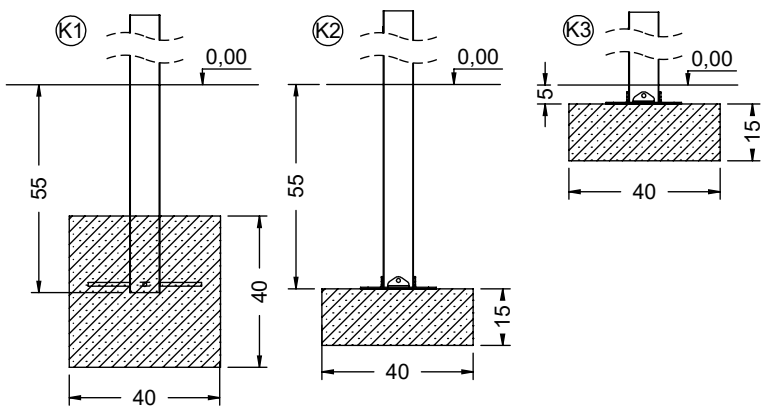




[cm]



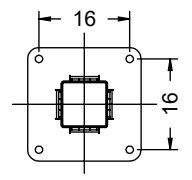
vinci play



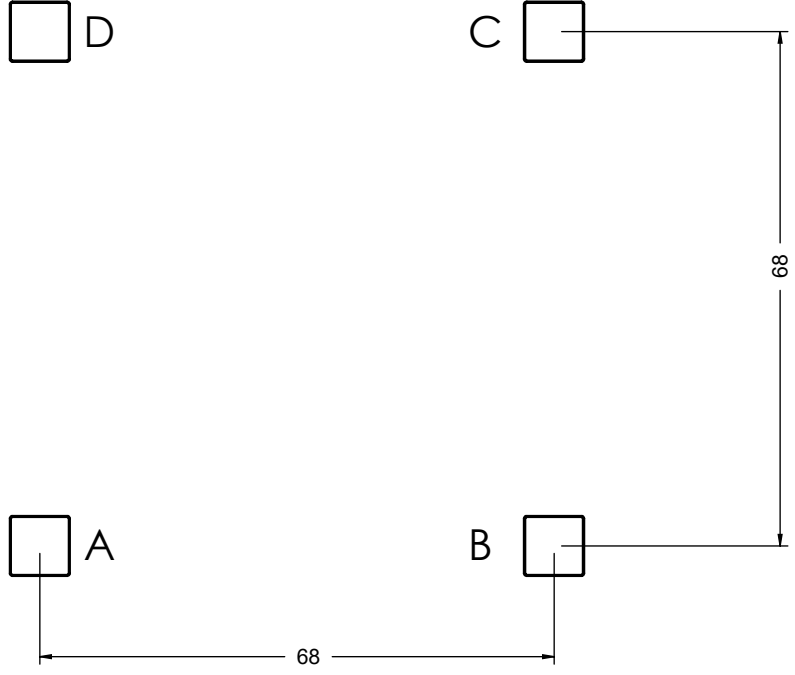
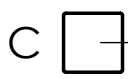
16x M10x120 (K2)
16x M10x120 (K3)

Ø10

NOT INCLUDED



E37



[cm]

x2
 2h

 48h
 K1 x4 >0.06m³
 K2/K3 x4 >0.02m³

vinci play



100 A
1x



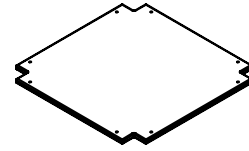
100 B
1x



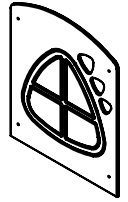
100 C
1x



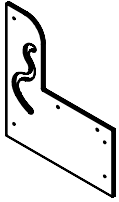
100 D
1x



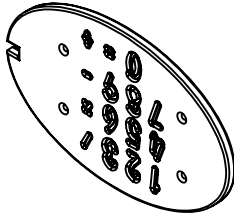
011225
1x



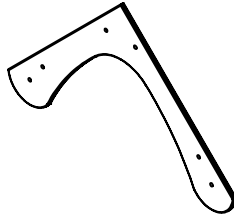
011105
1x



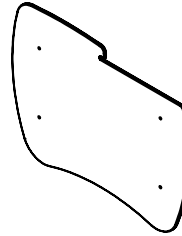
011122
1x



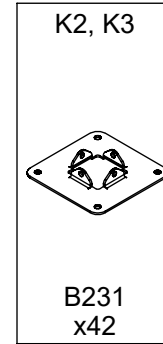
011154
1x



011119
2x

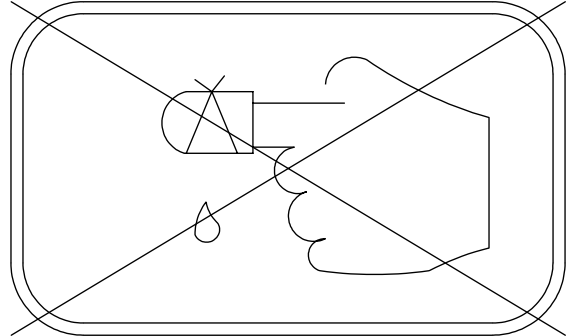
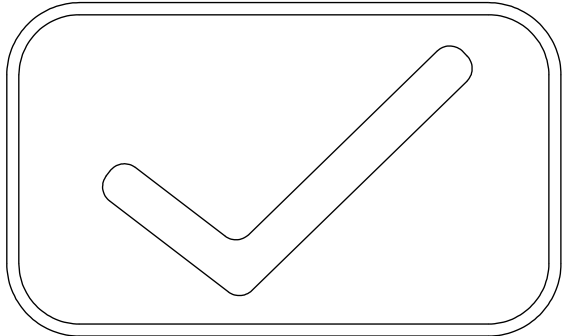
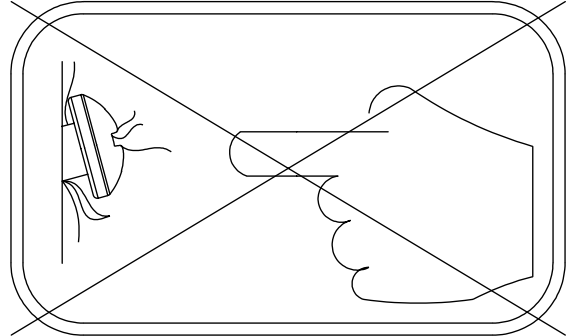
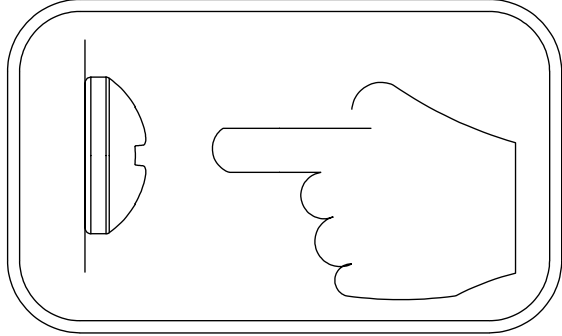
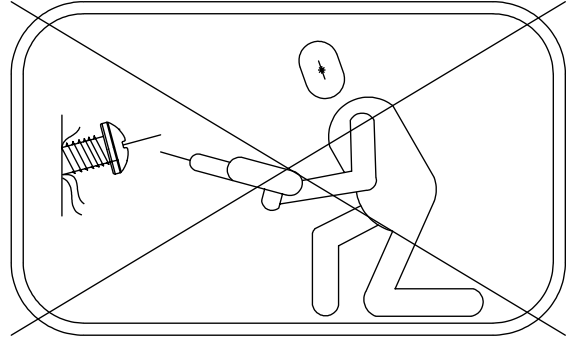
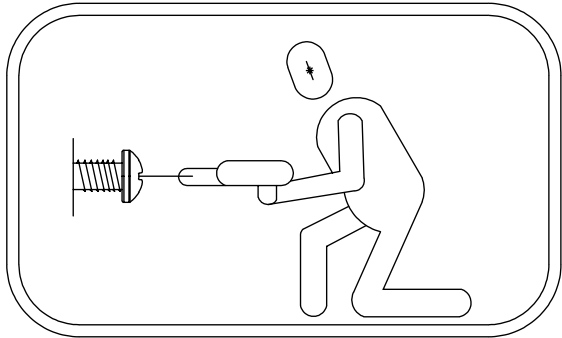


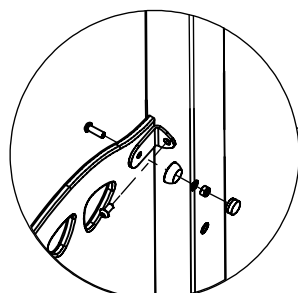
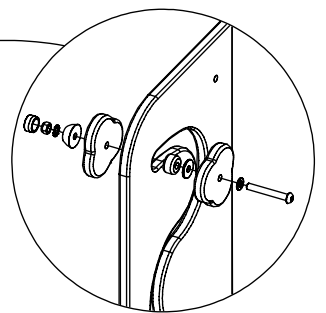
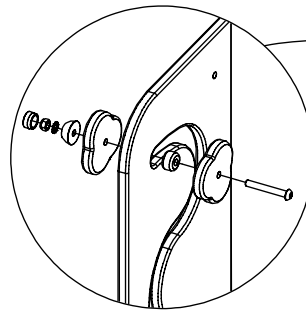
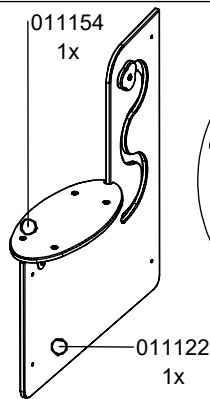
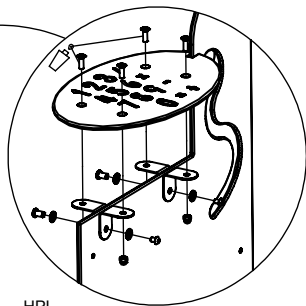
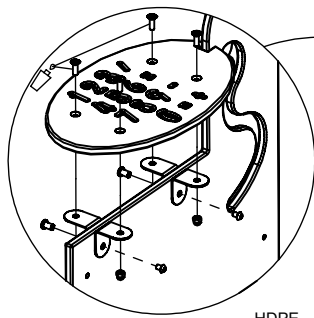
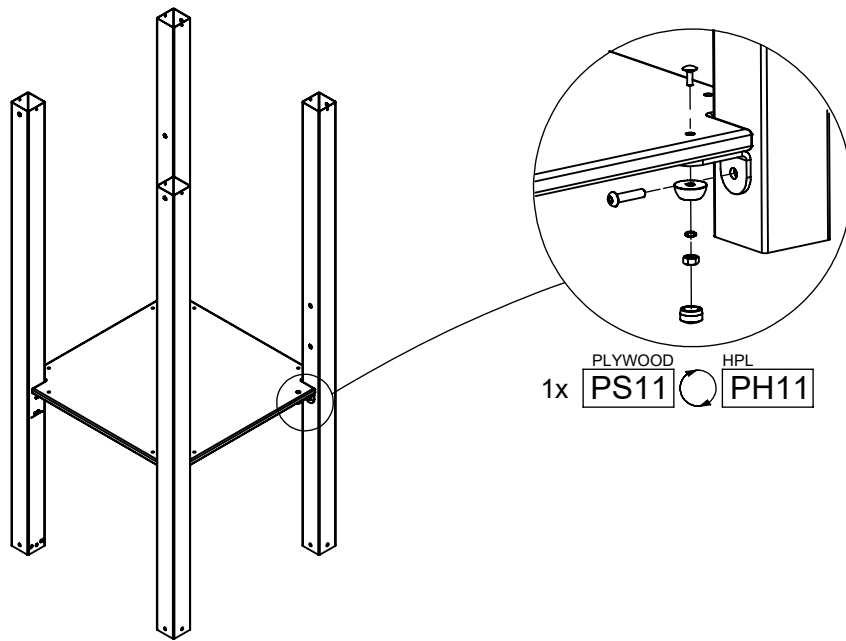
011143
2x



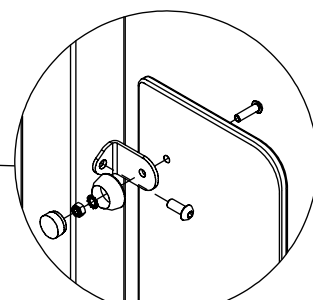
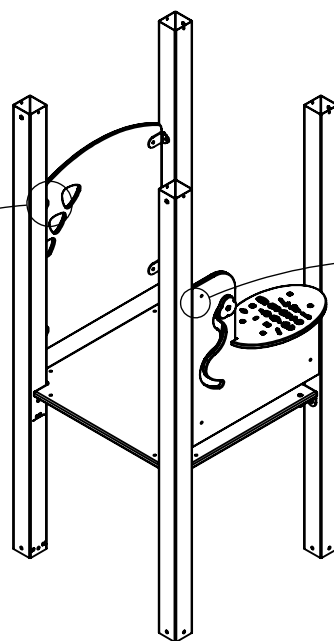
	HPDE	HPL	ST/INOX
1x	CE1	CL1	
1x	CE3	CL3	
1x	CE4	CL4	
1x	CE6	CL6	
1x	CE17	CL17	
1x	CE111	CL111	
			E37 (K2,K3)
1x			V001

	PLYWOOD	HPL
1x	PS11	PH11





PLYWOOD HPL
1x CE1 CL1

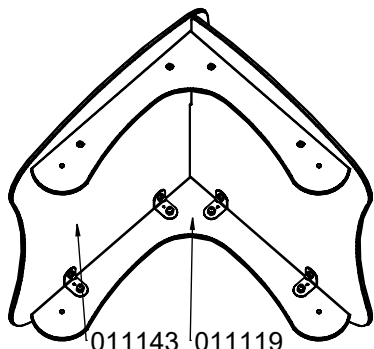


HDPE HPL
1x CE4 CL4

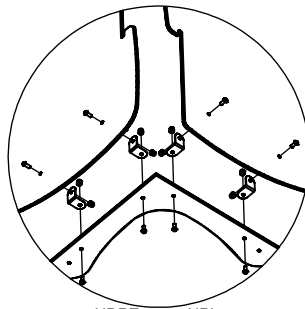
[cm]



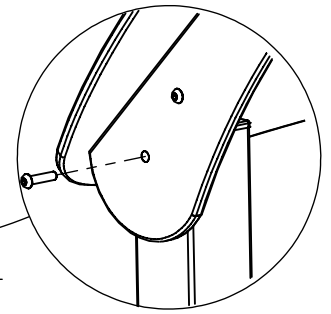
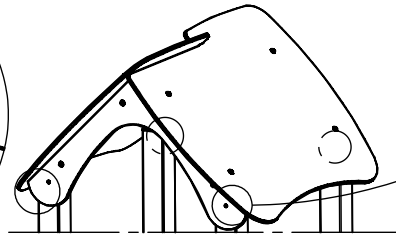
vinci
play



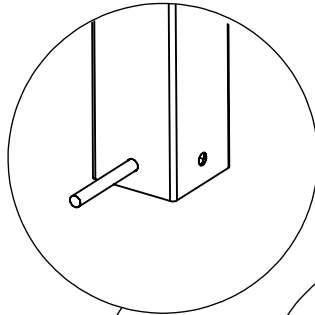
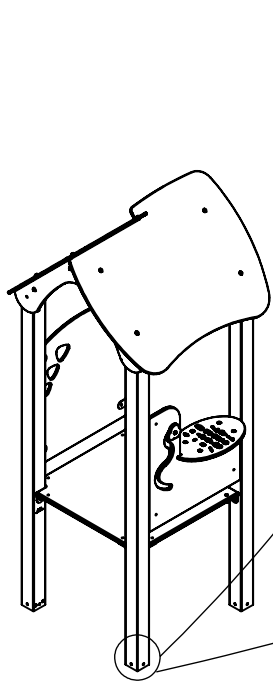
011143 011119
2x 2x



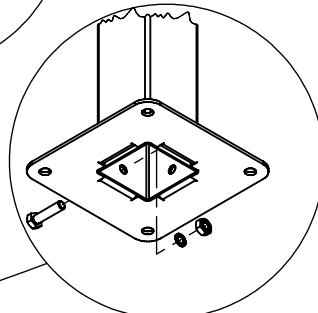
1x HDPE
CE3 HPL
CL3



1x HDPE
CE111 HPL
CL111

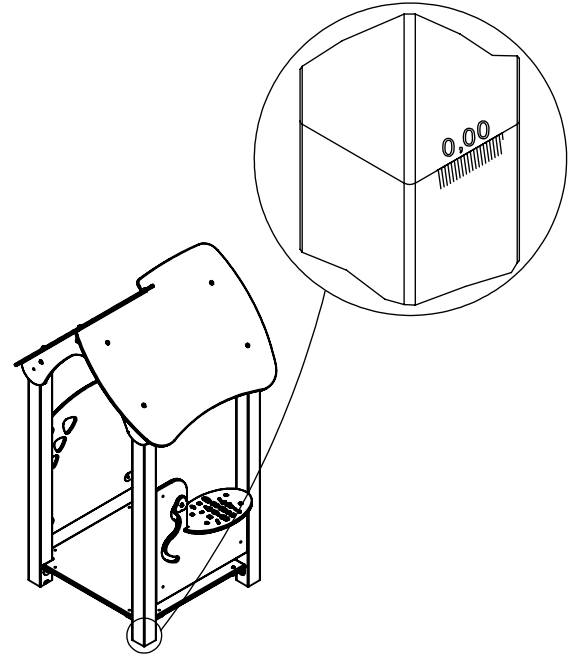


K1

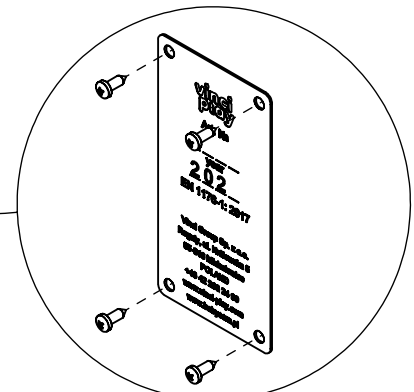
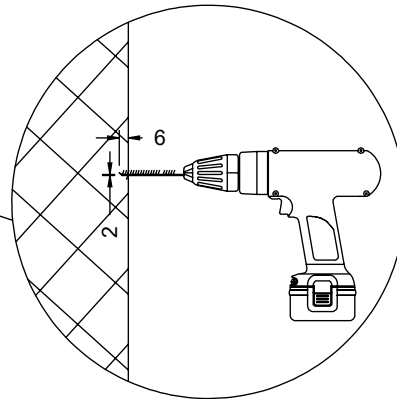
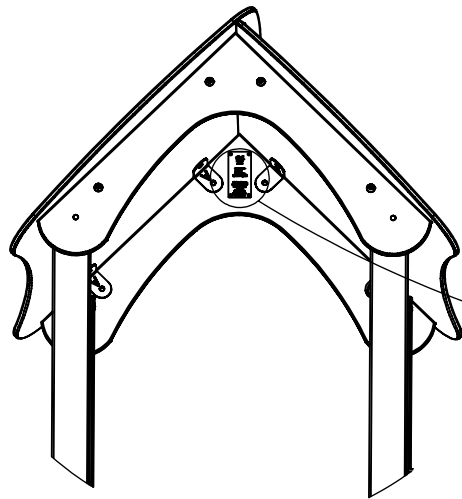


K2, K3

E37



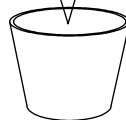
0.00



V001

Part No:
000000-
00000

000000-00000



[cm]

vinci
play