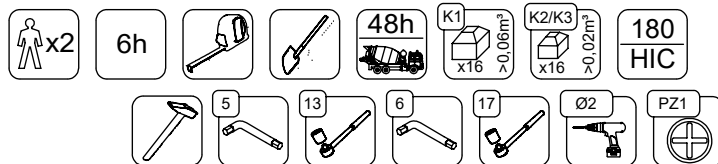
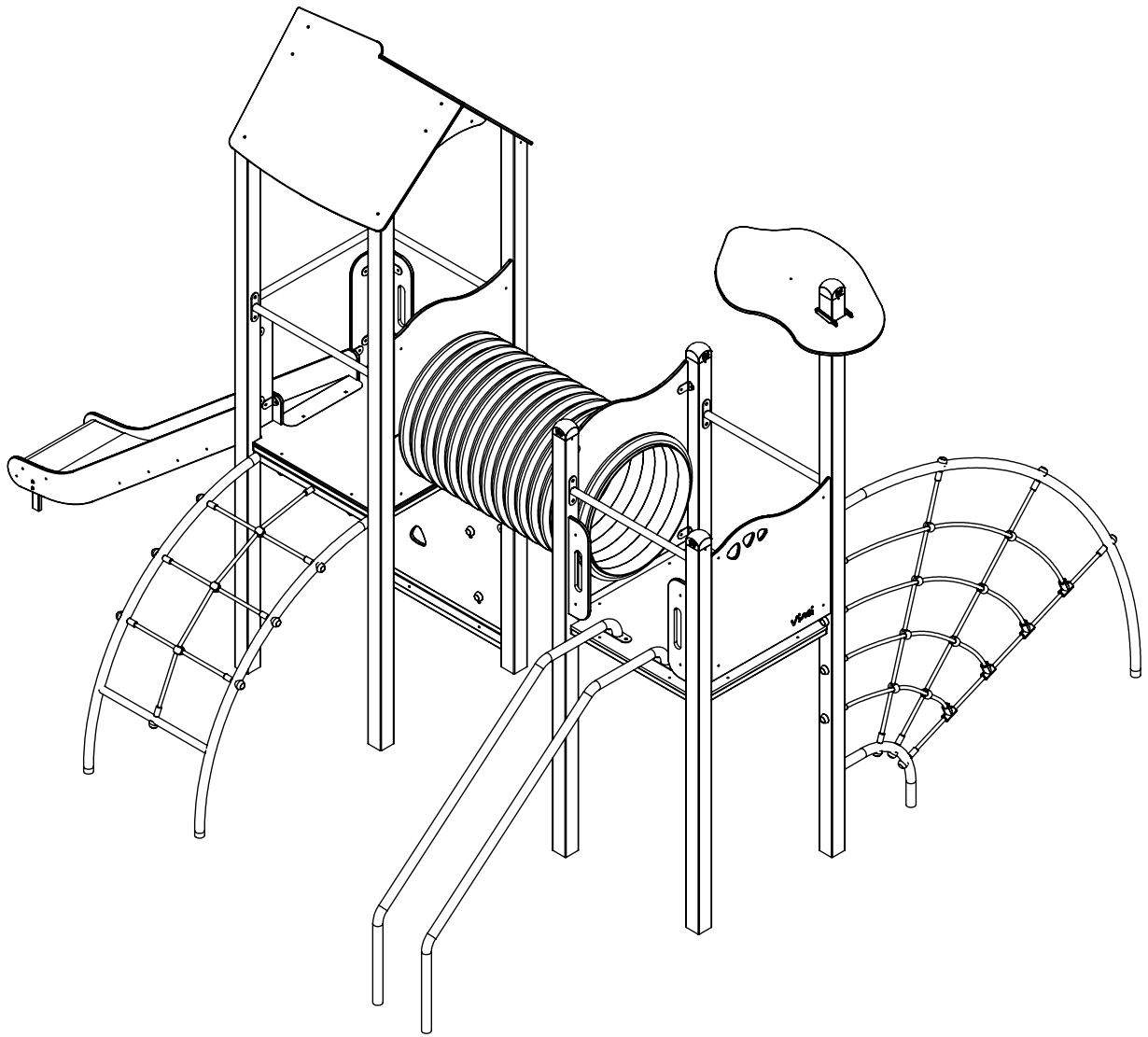
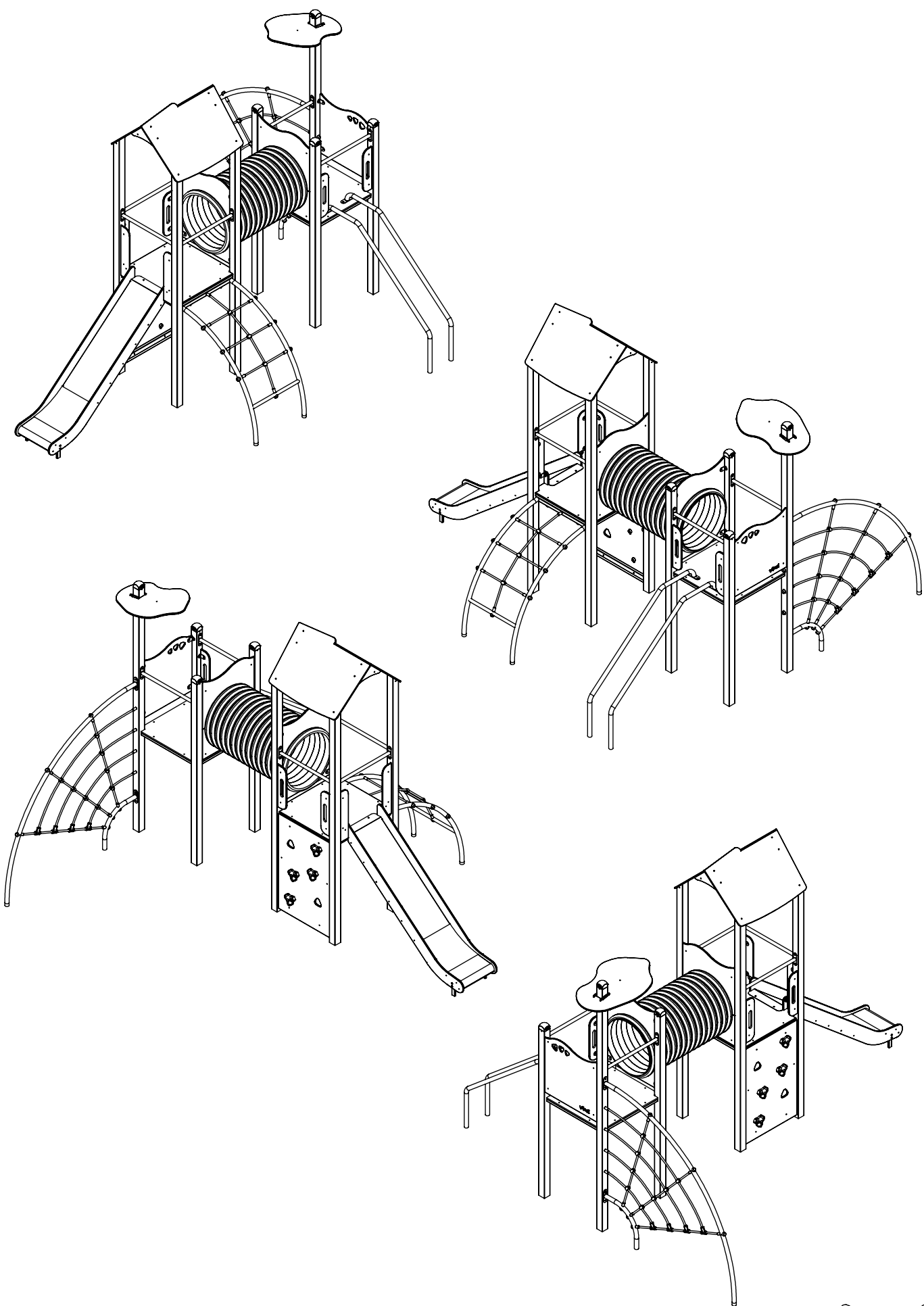


0204



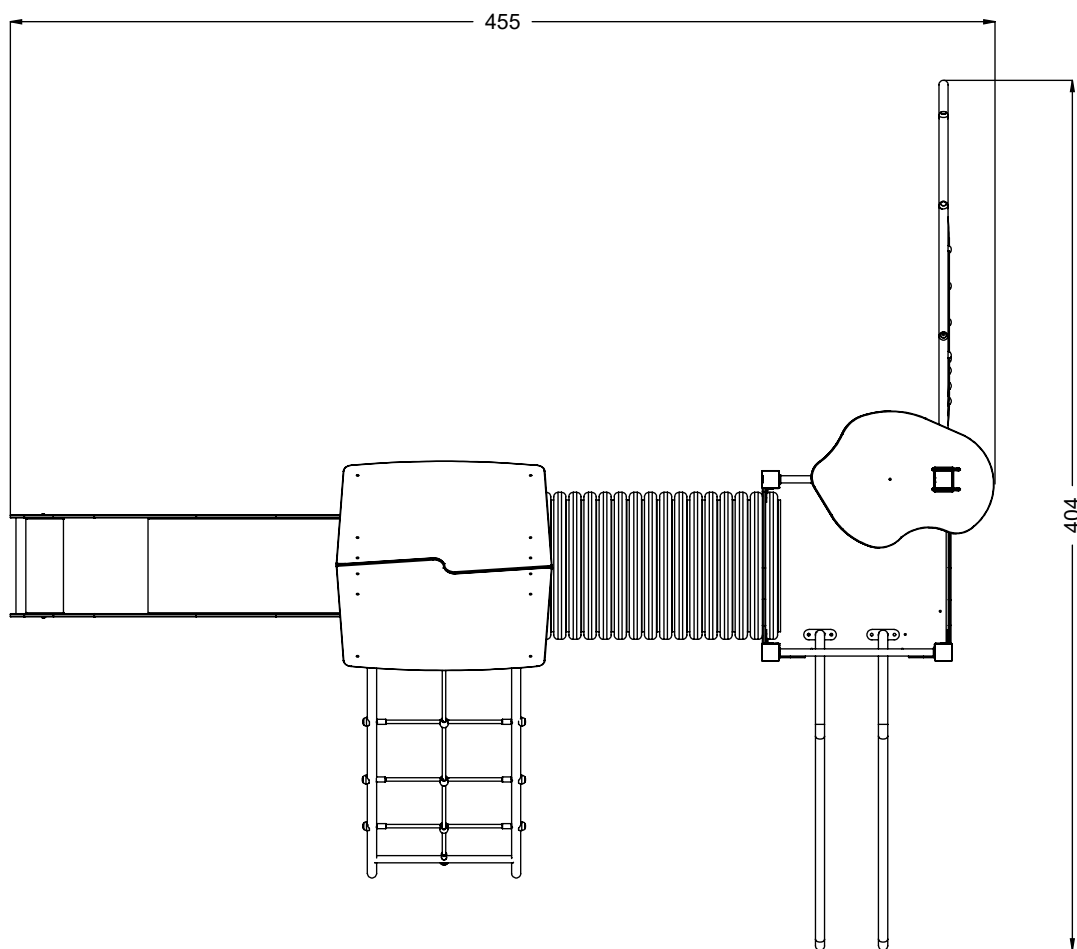
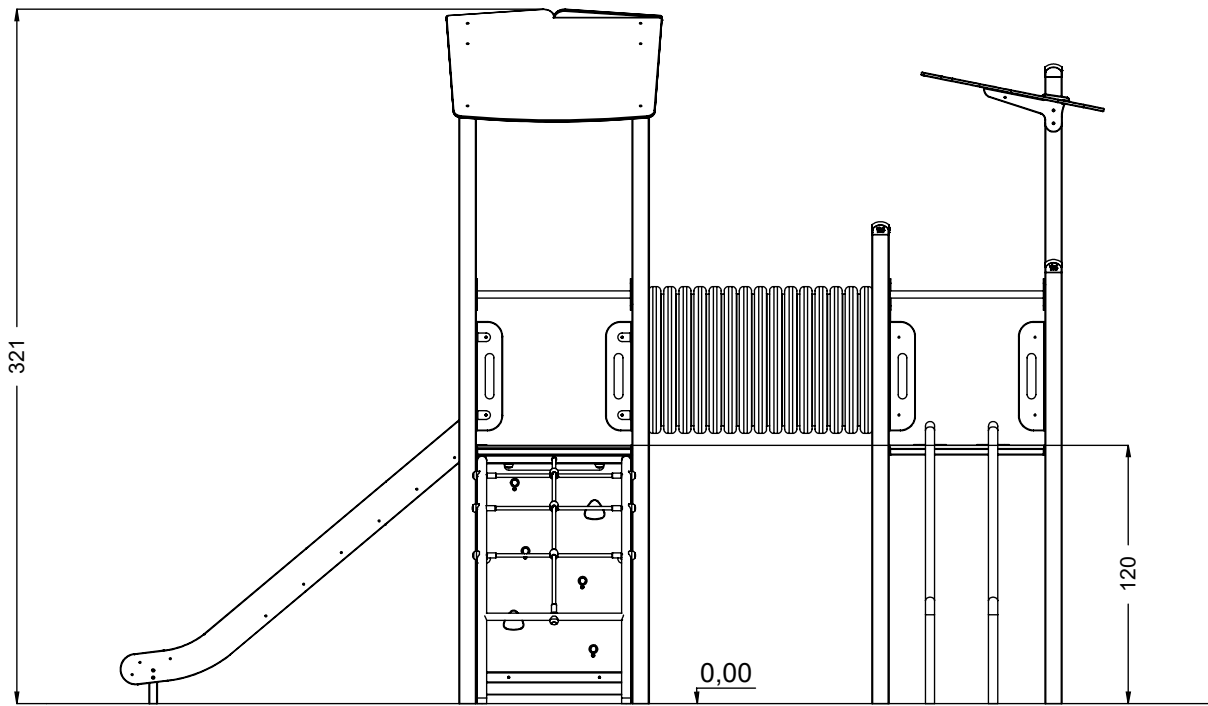
v013
15.05.2021
A. P.
[cm]

vinci
play



[cm]

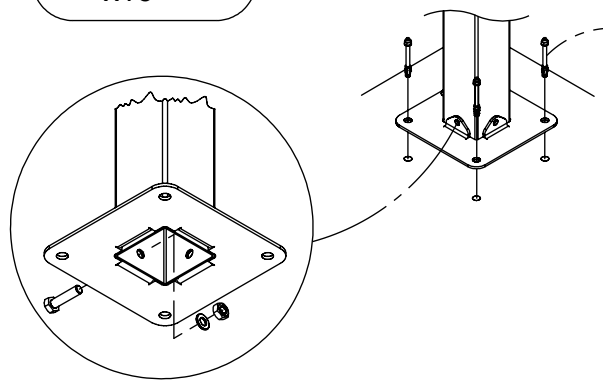
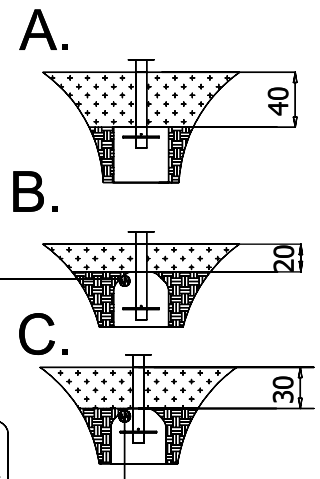
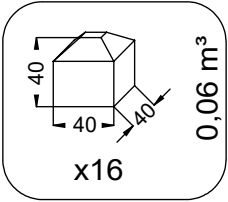
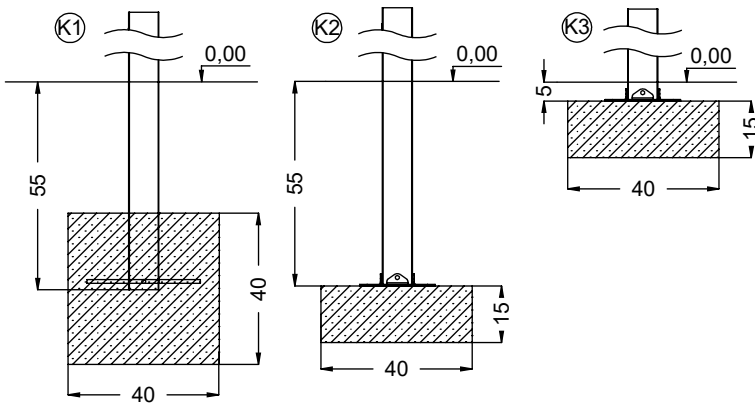
vinci
play



[cm]



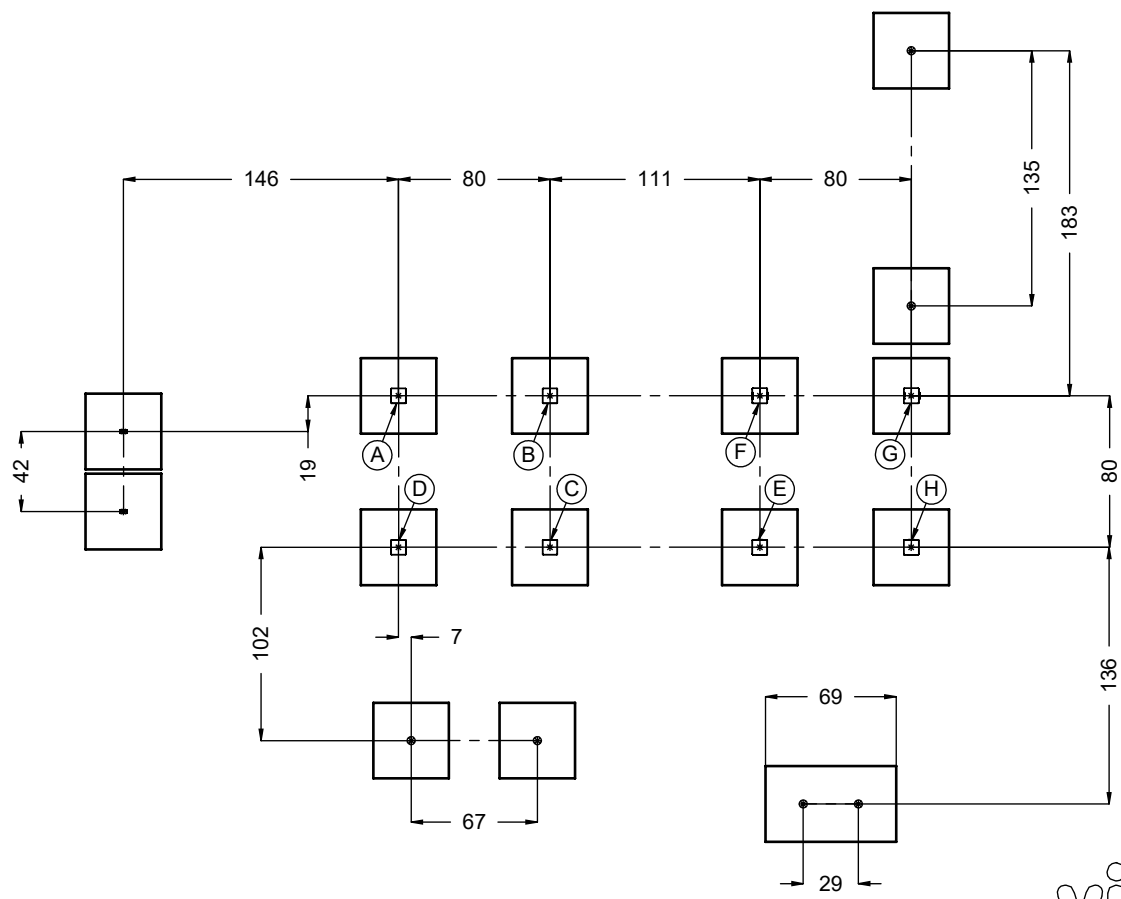
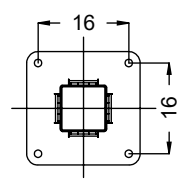
vinci
play



E37

16x M10x120 (K2)	8x M8x120 (K2)
22x M10x120 (K3)	8x M8x120 (K3)
NOT INCLUDED	NOT INCLUDED

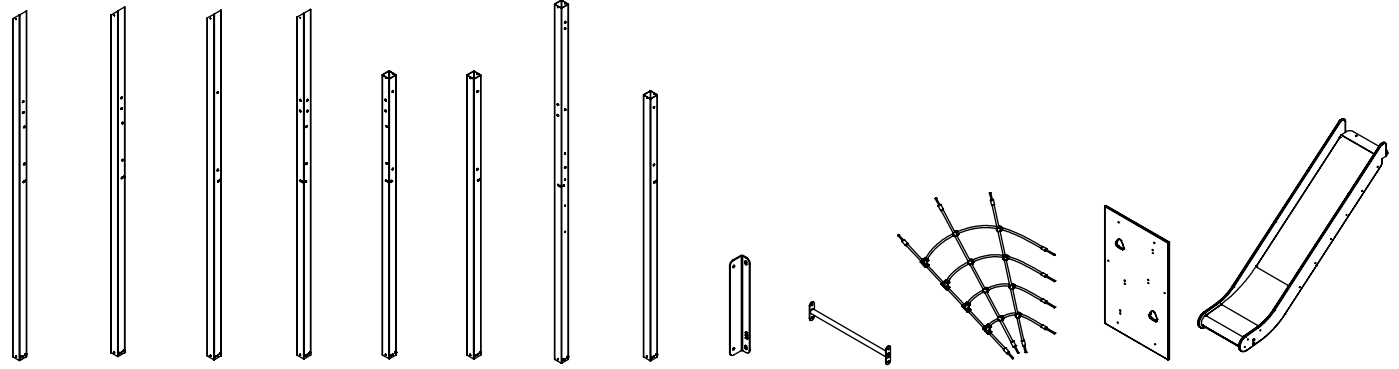
8x M8x120 (K2)	8x M8x120 (K3)
NOT INCLUDED	NOT INCLUDED



[cm]

	6h			48h		
--	----	--	--	-----	--	--

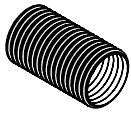
vinci play



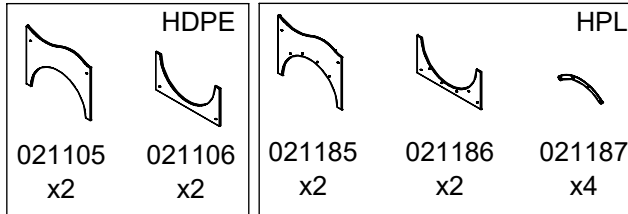
204A x1 204B x1 204C x1 204D x1 204E x1 204F x1 204G x1 204H x1 B203 x1 022102 x5 995104 x1 021137 x1 994104 x1



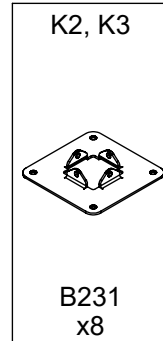
021102 x1 021103 x1 021100 x1 021152 x2 021133 x2 021134 x2 021110 x4 021138 x1 021145 x2 022100 x9 021149 x1 021146 x2



996104 x1

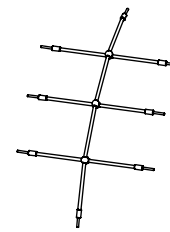


HDPE
021105 x2 021106 x2 021185 x2 021186 x2 021187 x4
HPL

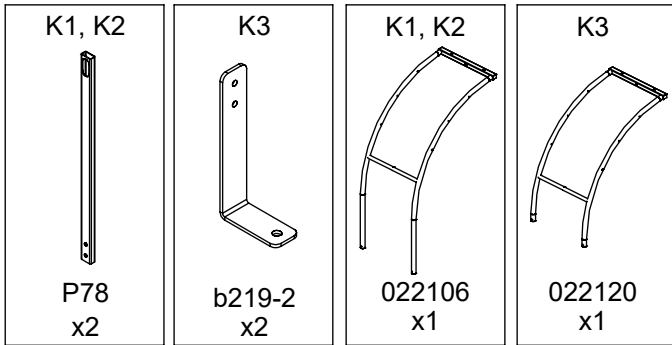


K2, K3

B231 x8



025144 x1



K1, K2

K3

K1, K2

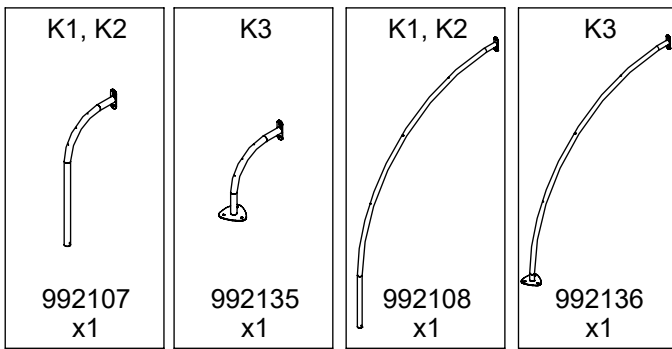
K3

P78 x2

b219-2 x2

022106 x1

022120 x1



K1, K2

K3

K1, K2

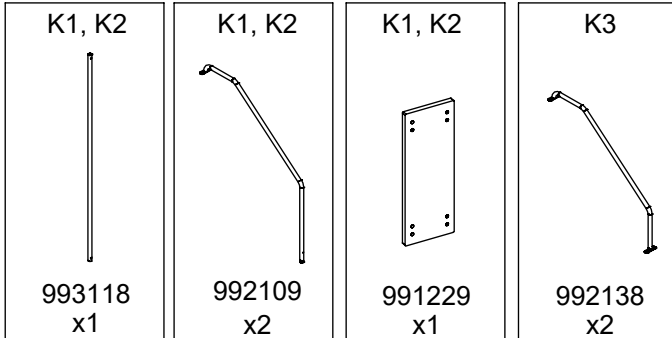
K3

992107 x1

992135 x1

992108 x1

992136 x1



K1, K2

K1, K2

K1, K2

K3

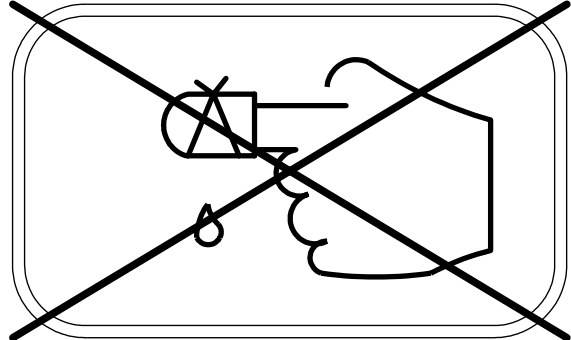
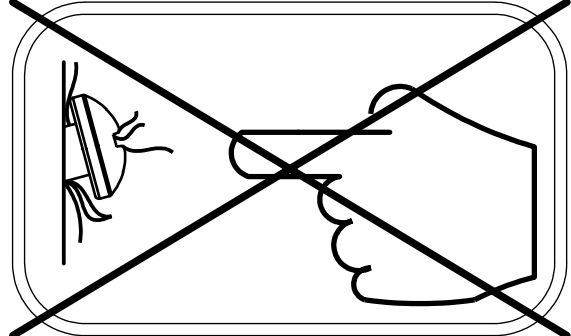
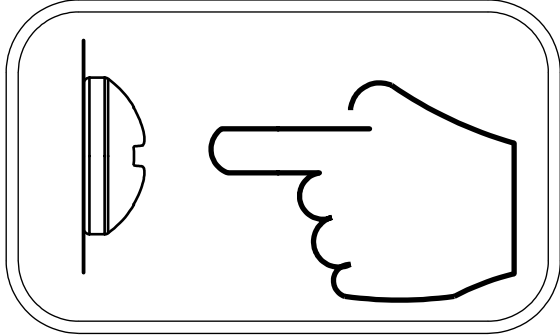
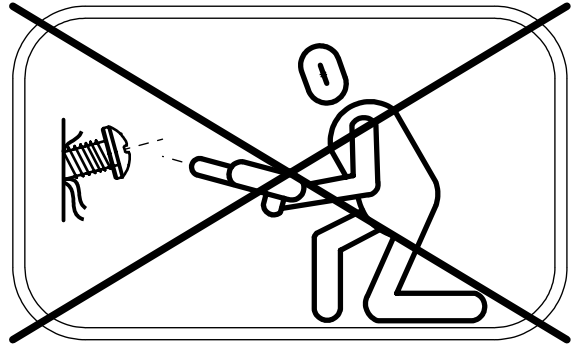
993118 x1

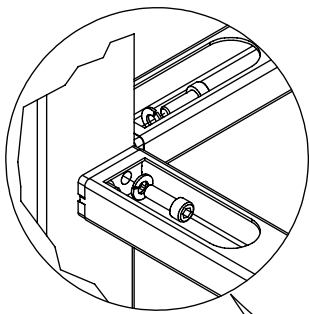
992109 x2

991229 x1

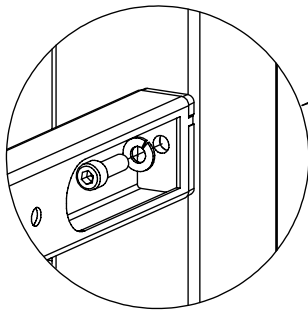
992138 x2

ST/INOX		PLYWOOD / HDPE		HPL	
1x	E44 (K1)	1 x	E8 (S1)	1 x	E9 (S1)
	E37 (K2, K3)	1 x	E152 (S6)	1 x	E153 (S6)
1x	E34 (K1, K3)	1 x	CE2	1 x	CL2
1x	E35 (K2)	1 x	E4	1 x	E5
1x	E88 (K2, K3)	2 x	CE1	2 x	CL1
1x	E80 (K2)	4x	CE4	4x	CL4
1x	E40 (K1)	1 x	PS1	1 x	PH1
1x	E175 (K2)	1 x	PS4	1 x	PH4
6x	E1	1 x	CE31	1 x	CL31
2x	E3	1 x	CE111	1 x	CL111
1x	E41	1 x	E6	1 x	E7
1x	E48	1x	PS25	1x	PH25
1x	E85	1x	CE24	1x	CL24
1x	E239			1 x	E130
1x	V001				

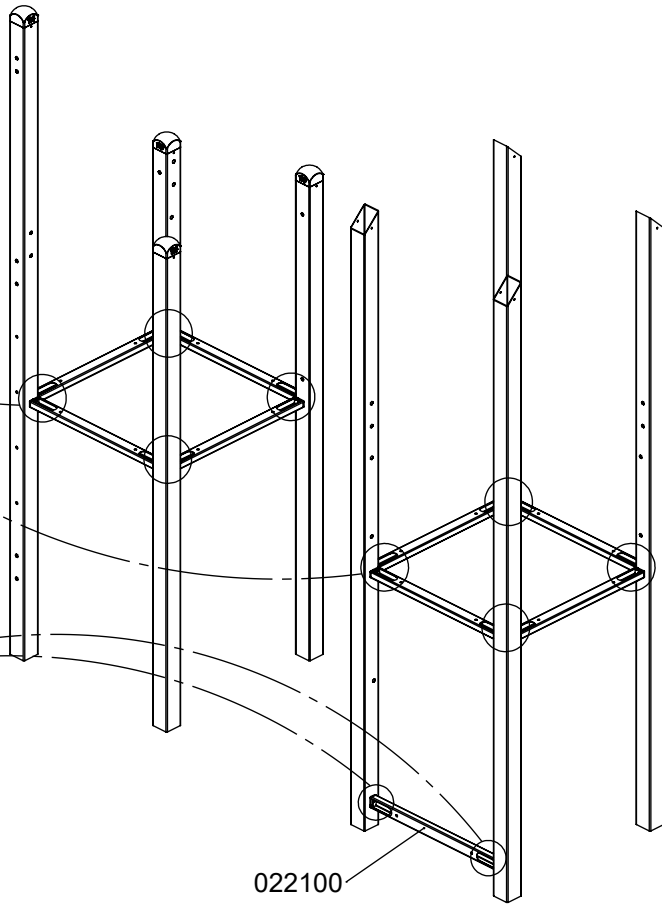




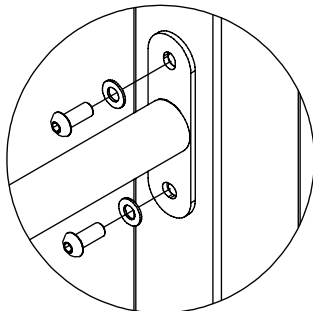
2x E3



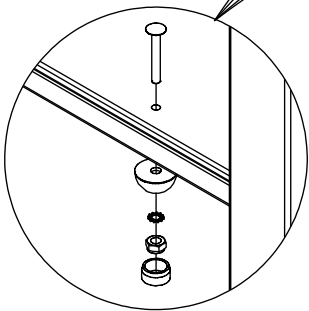
1x E41



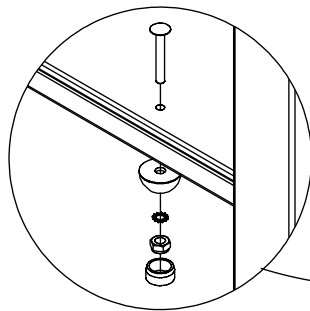
022100
9x



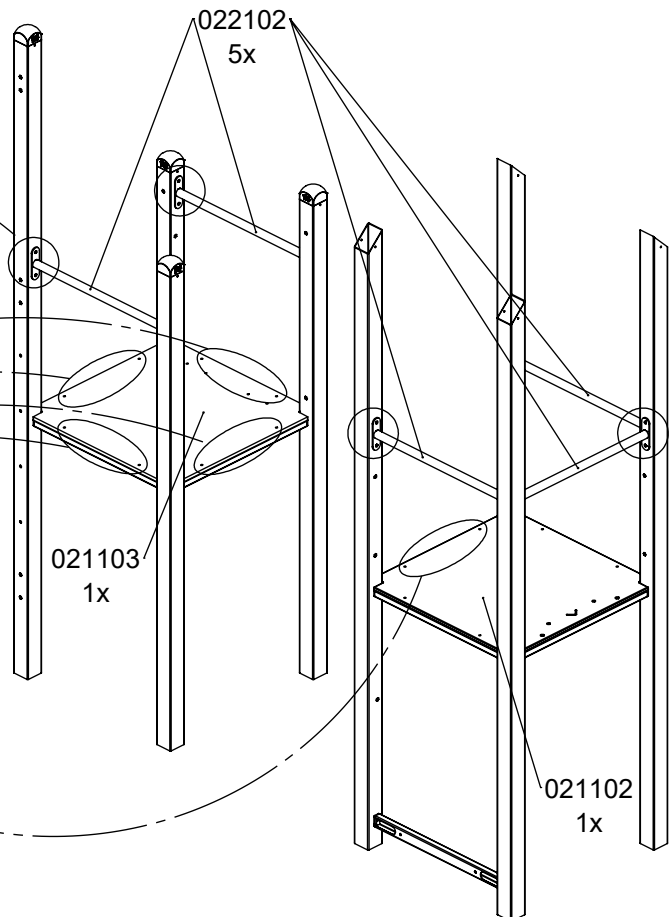
5x E1



PLYWOOD HPL
1x PS4 PH4



PLYWOOD HPL
1x PS1 PH1

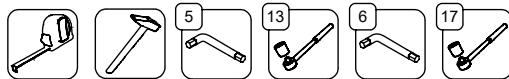


022102
5x

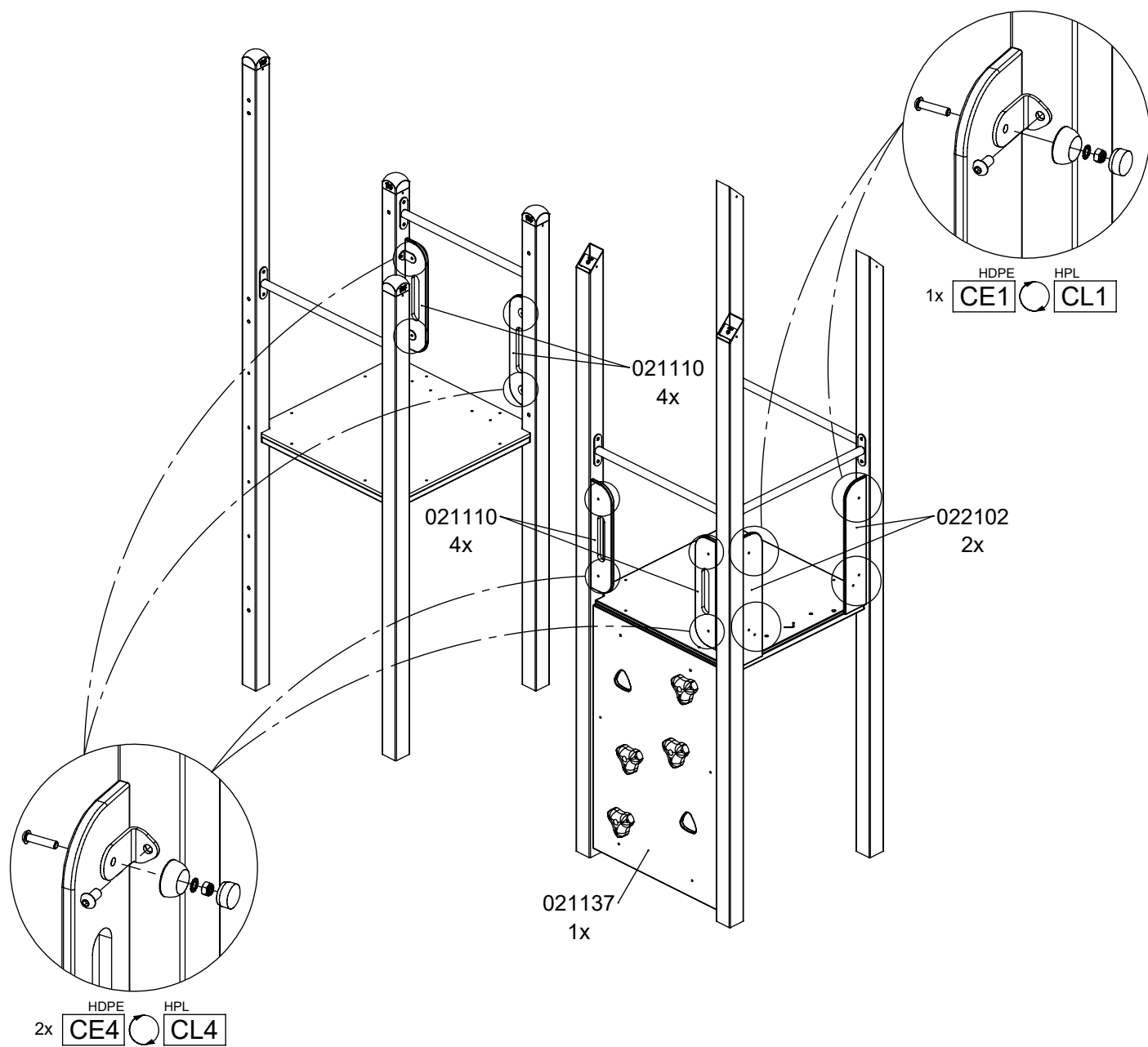
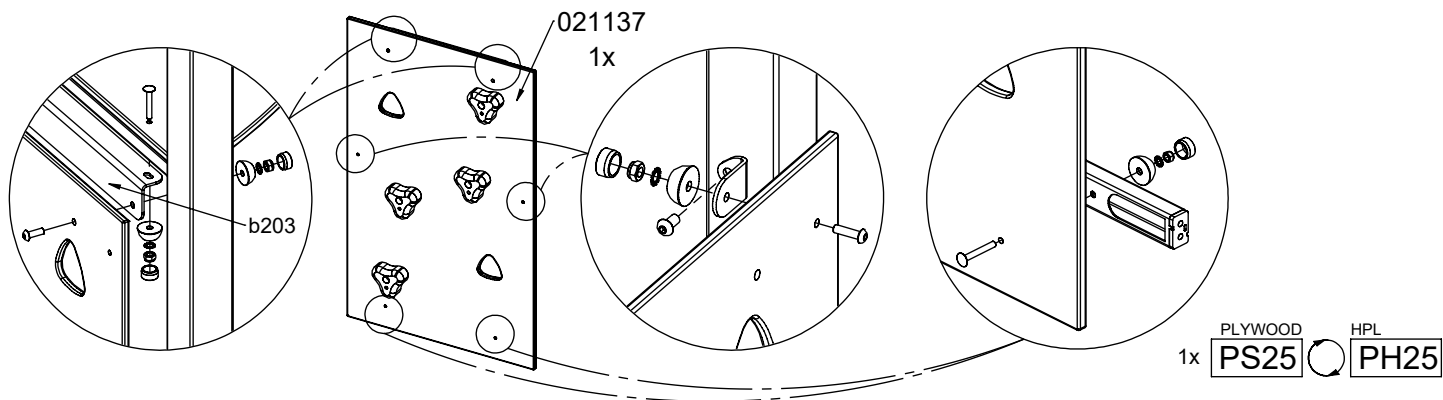
021103
1x

021102
1x

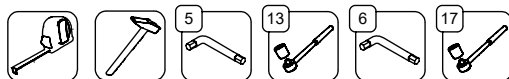
[cm]



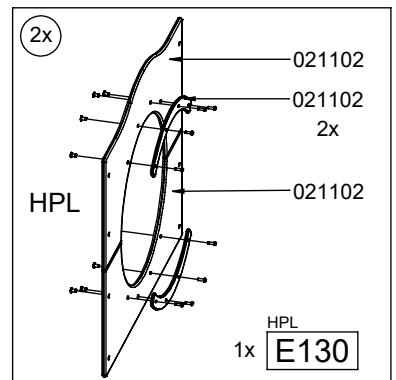
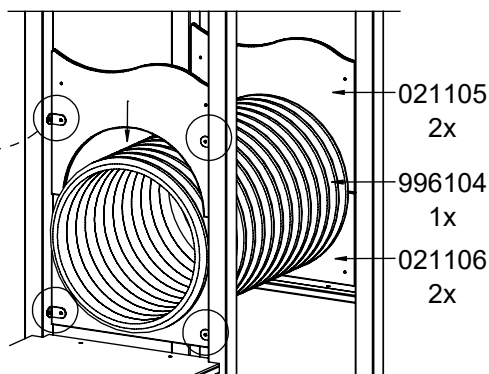
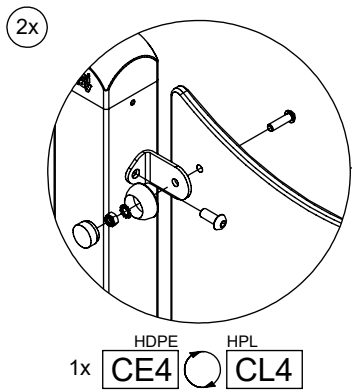
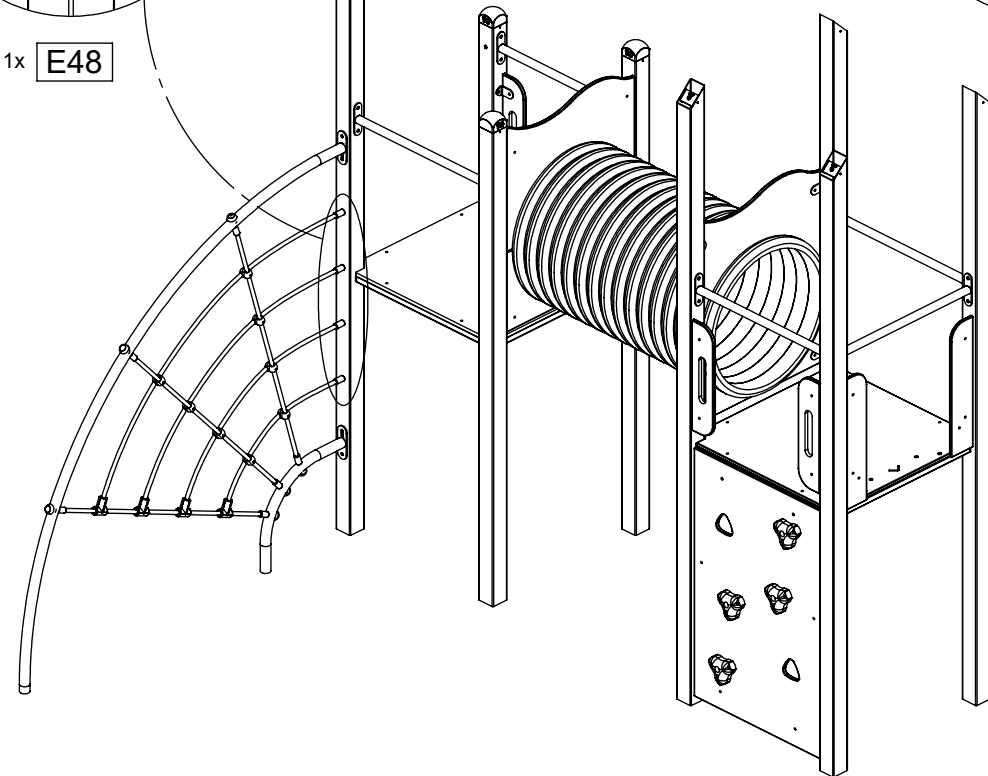
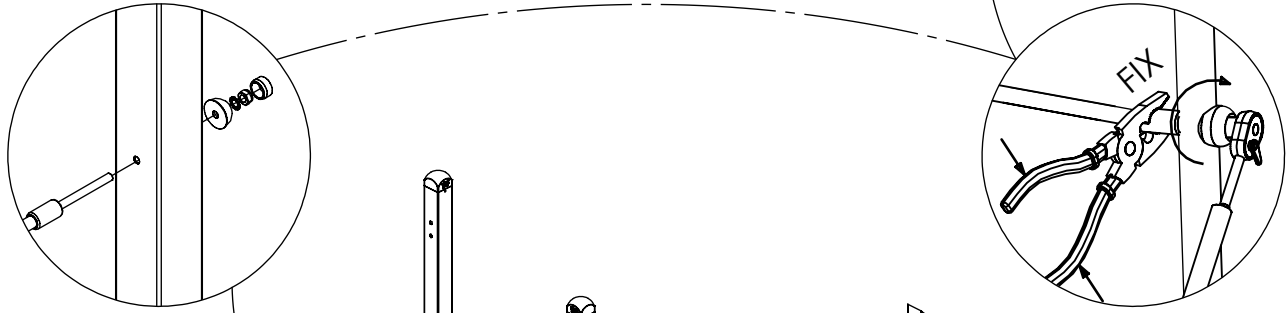
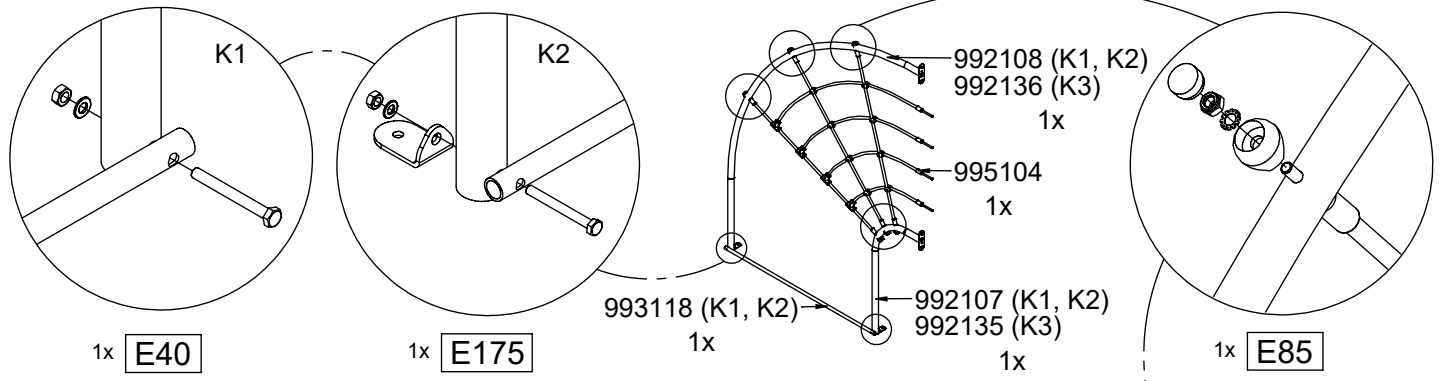
vinci
play



[cm]



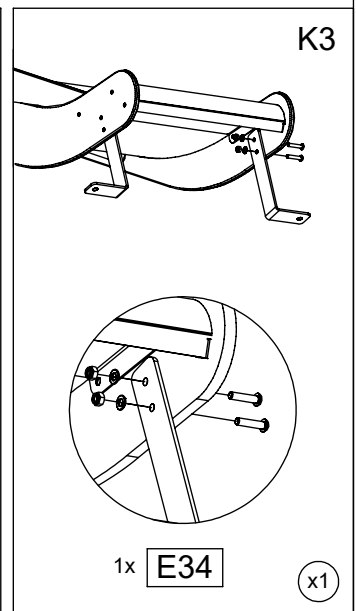
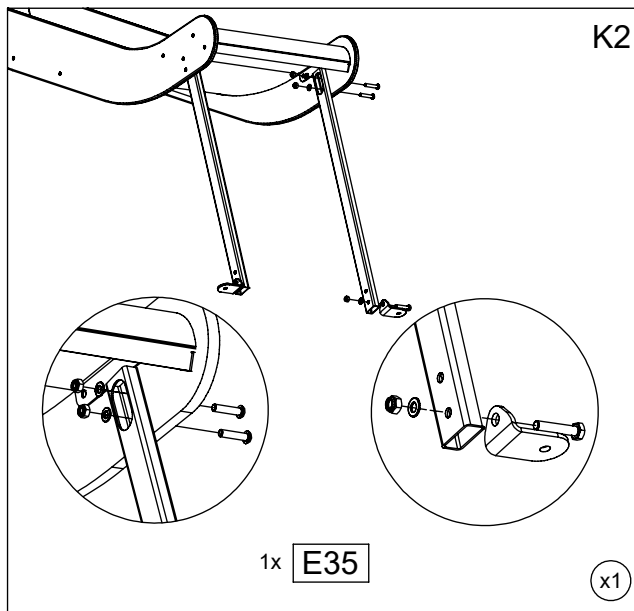
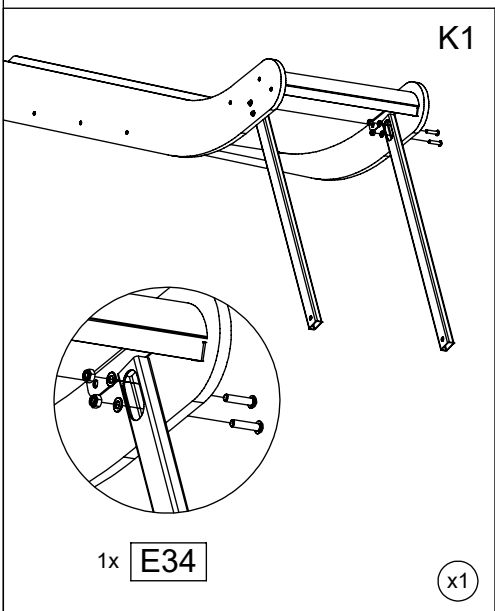
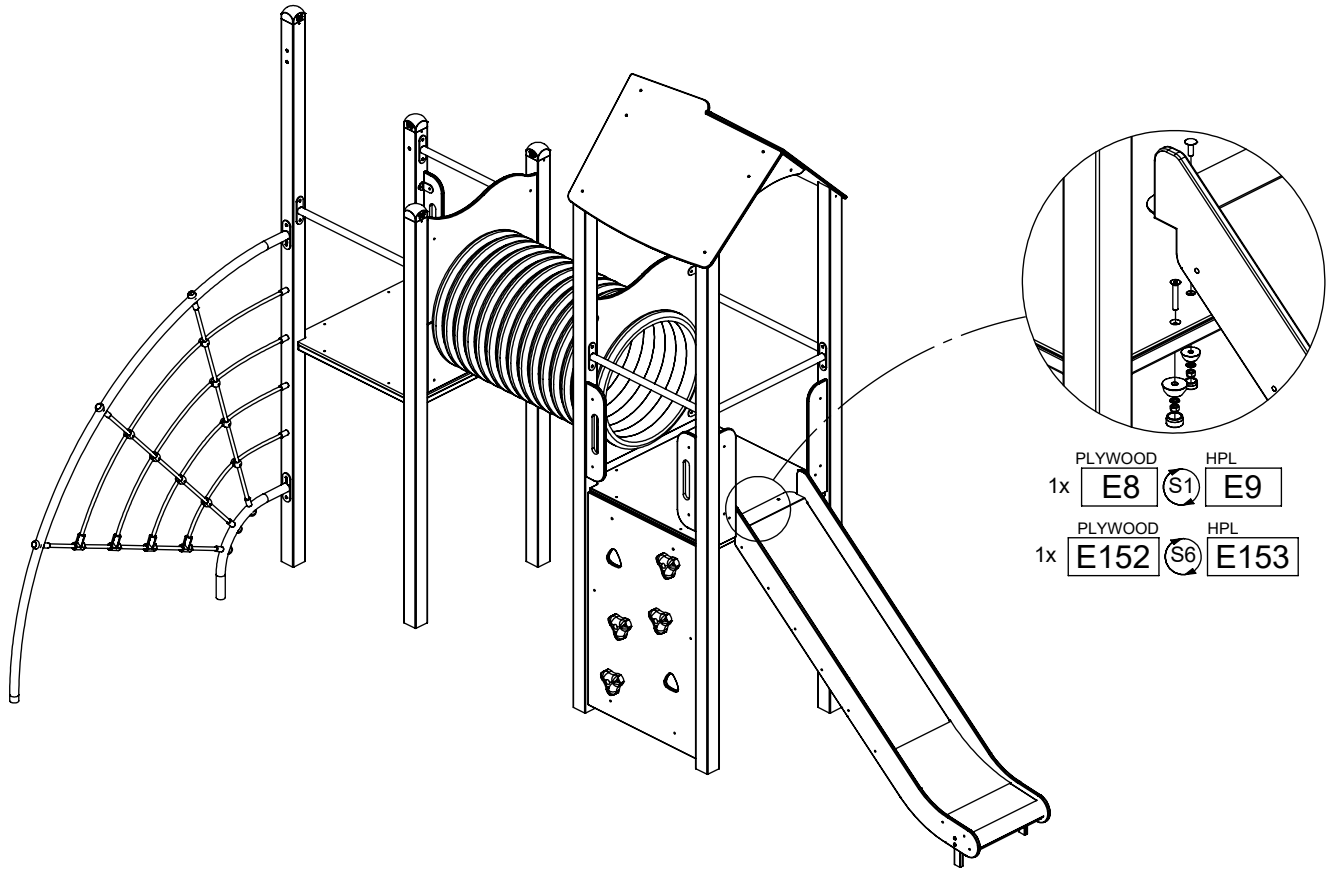
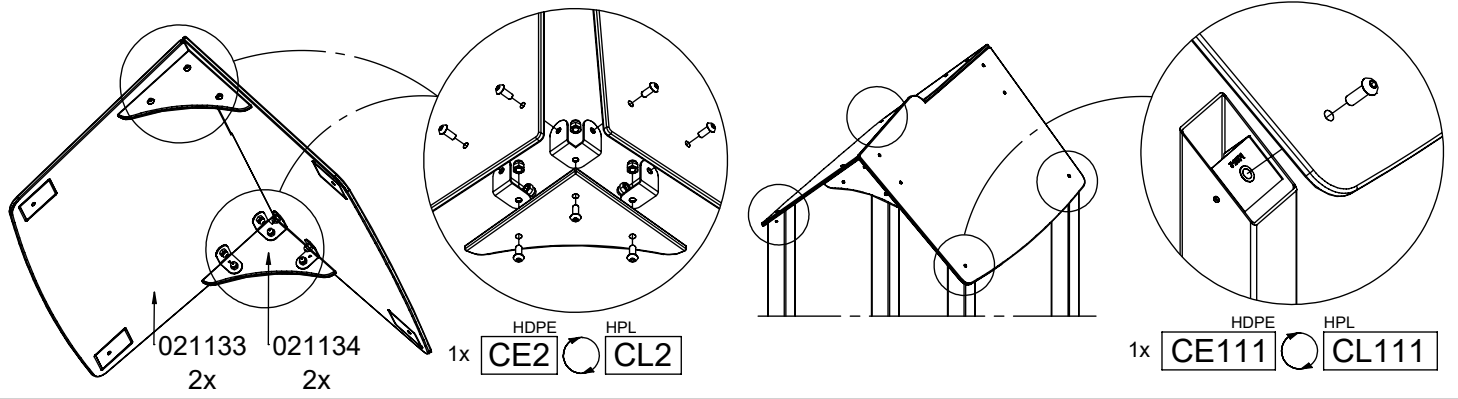
vinci
play



[cm]



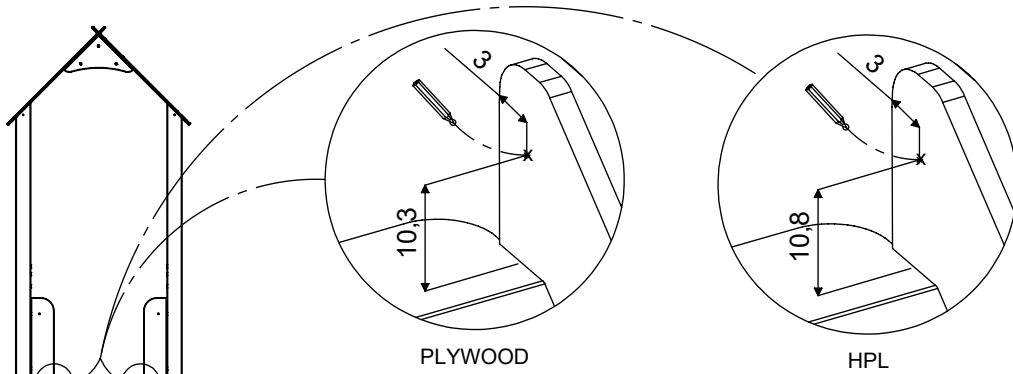
vinci
play



[cm]

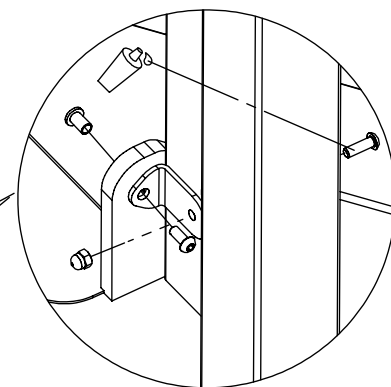
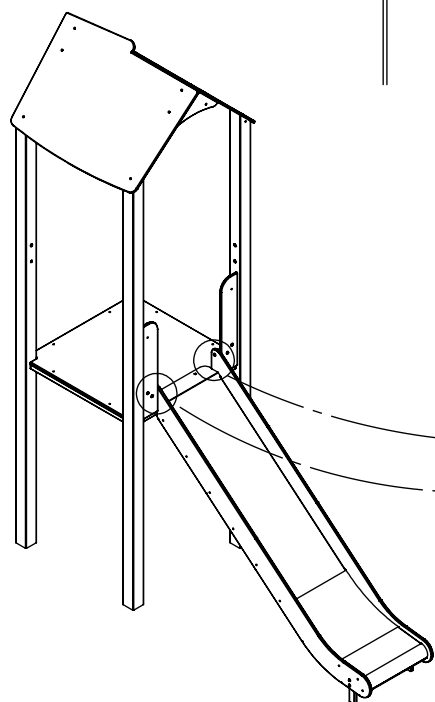
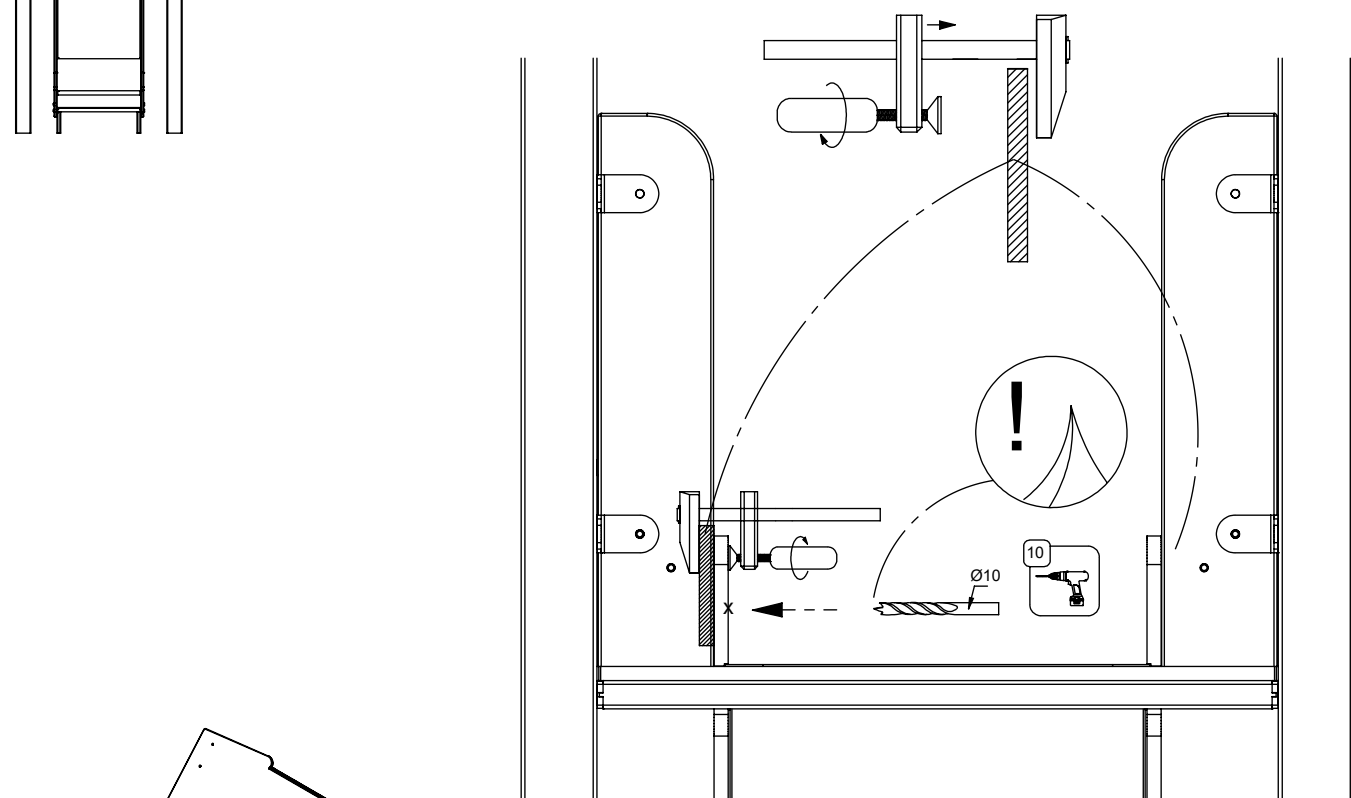


vinci
play



PLYWOOD

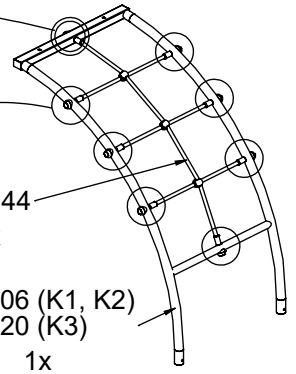
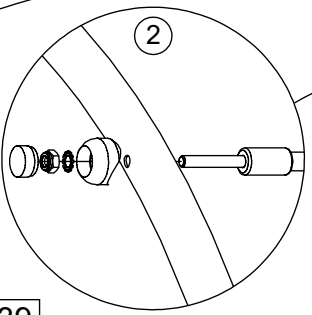
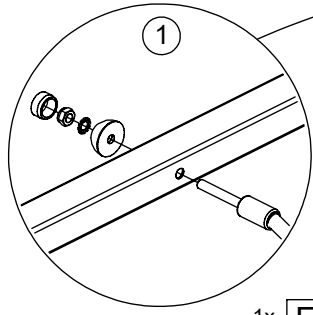
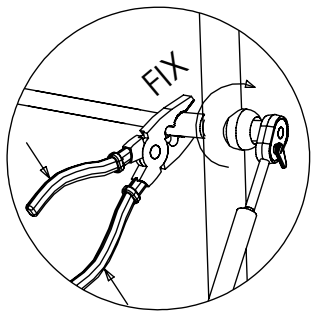
HPL



1x

HDPE	HPL
CE31	CL31



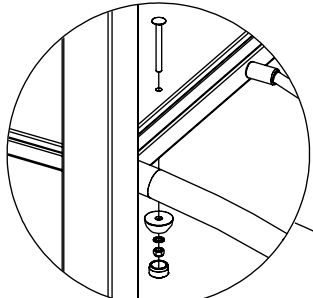


025144
1x

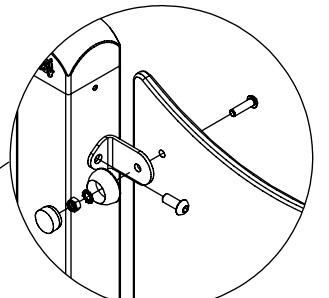
022106 (K1, K2)
022120 (K3)

1x

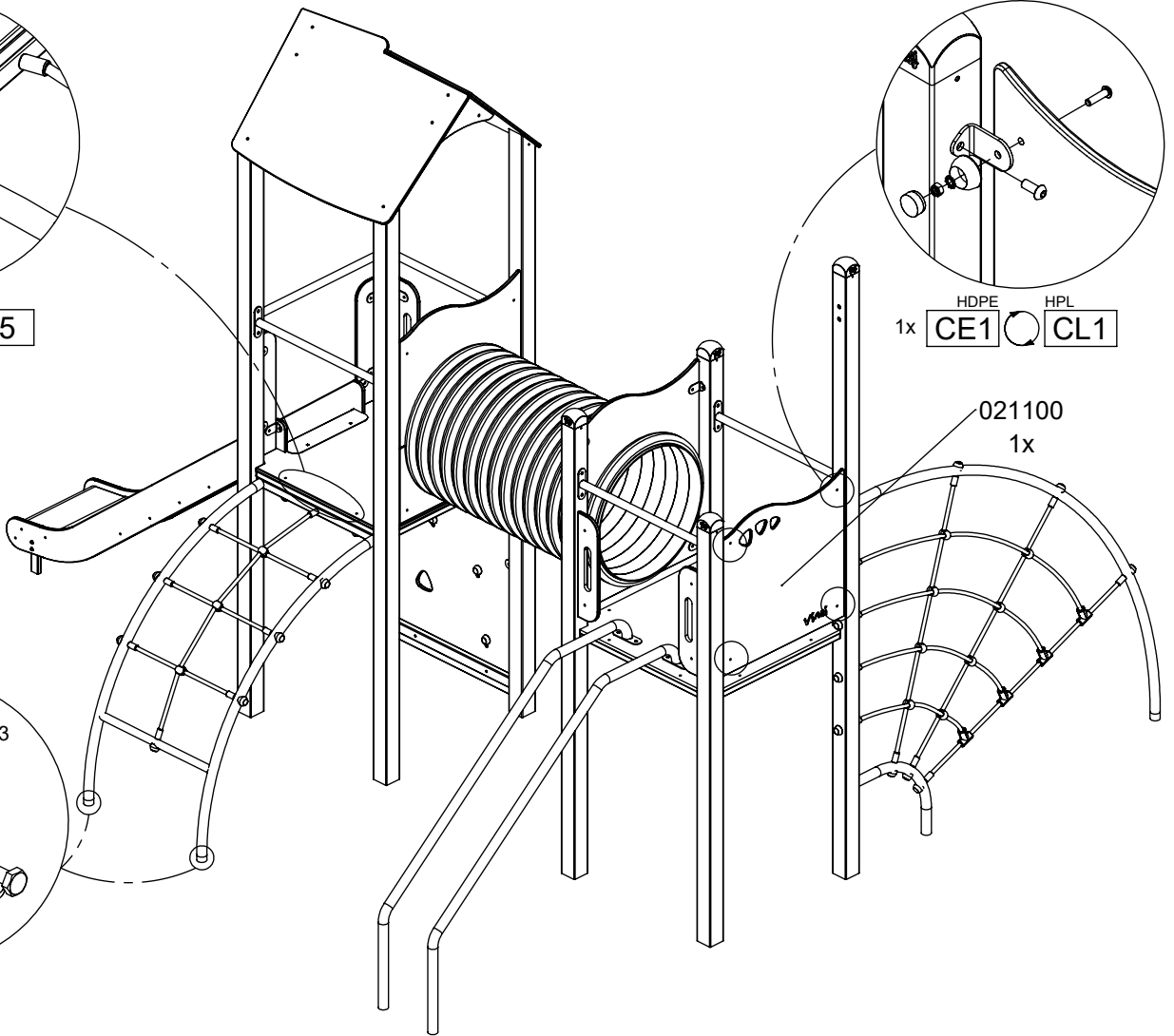
1x **E239**



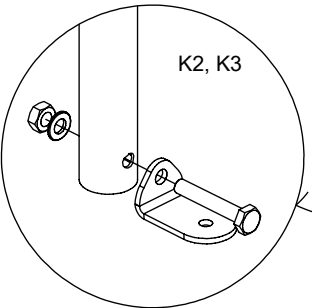
PLYWOOD HPL
1x **E4** **E5**



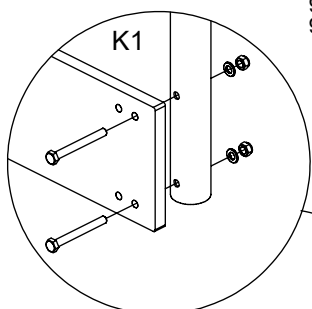
HDPE HPL
1x **CE1** **CL1**



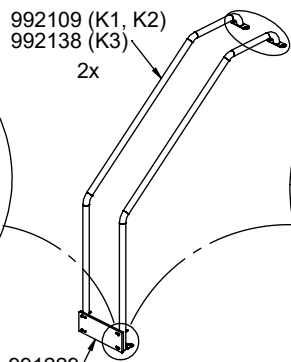
021100
1x



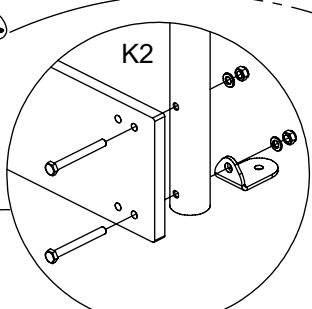
1x **E88**



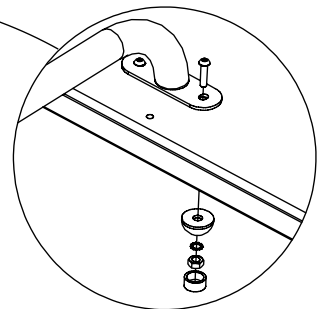
1x **E44**



991229
1x



1x **E80**

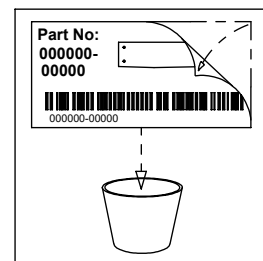
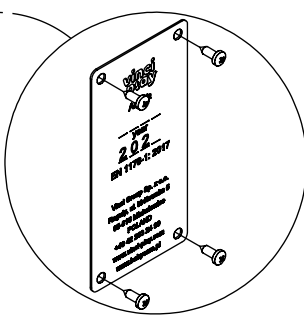
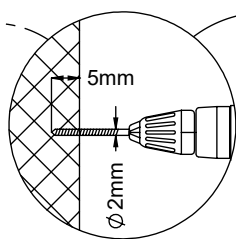
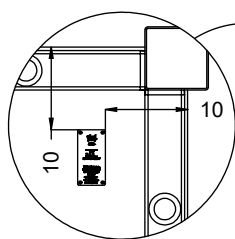
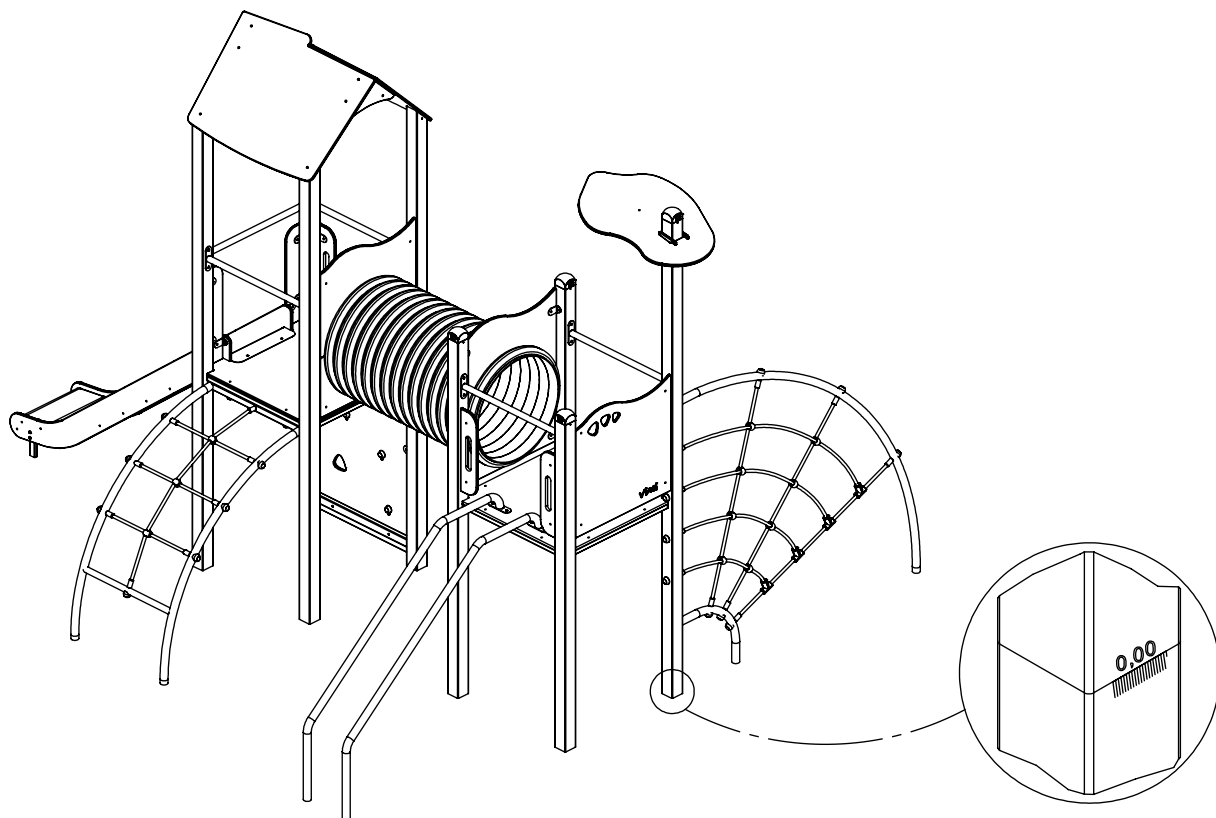
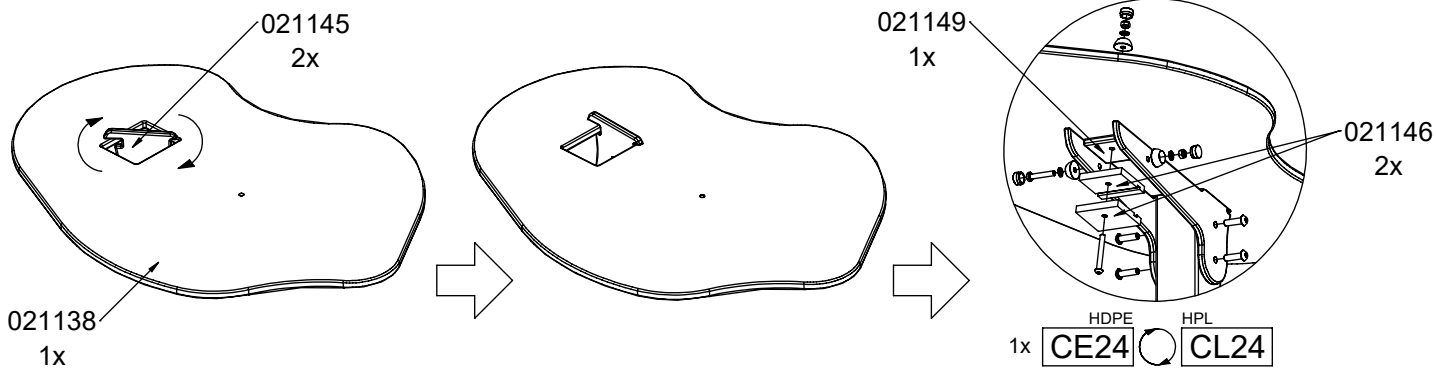


PLYWOOD HPL
1x **E6** **E7**

[cm]



vinci
play



[cm]



vinci
play