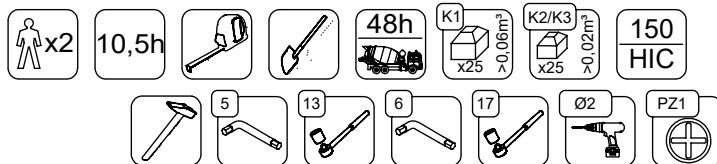
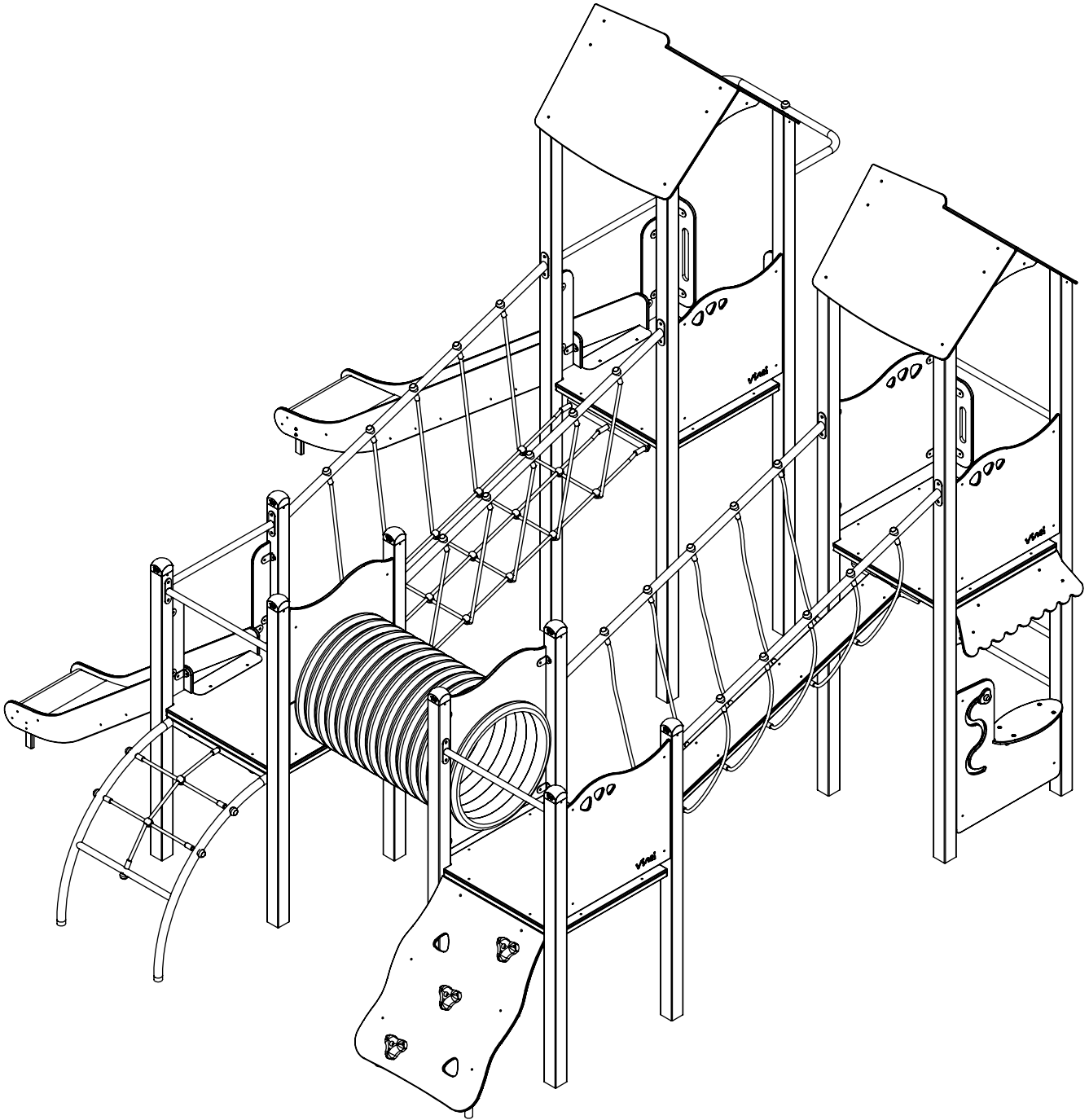
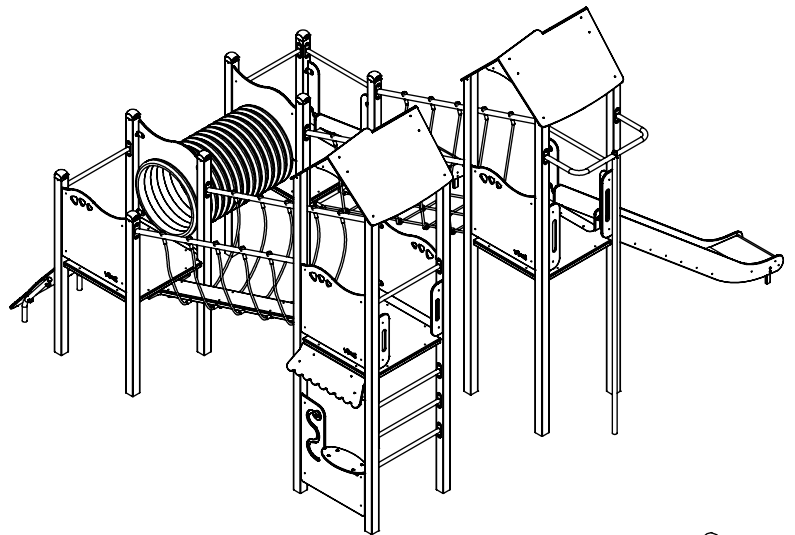
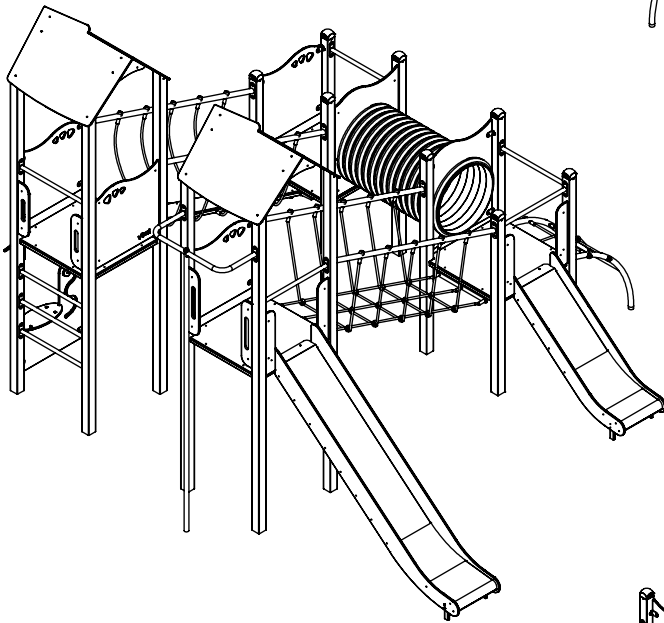
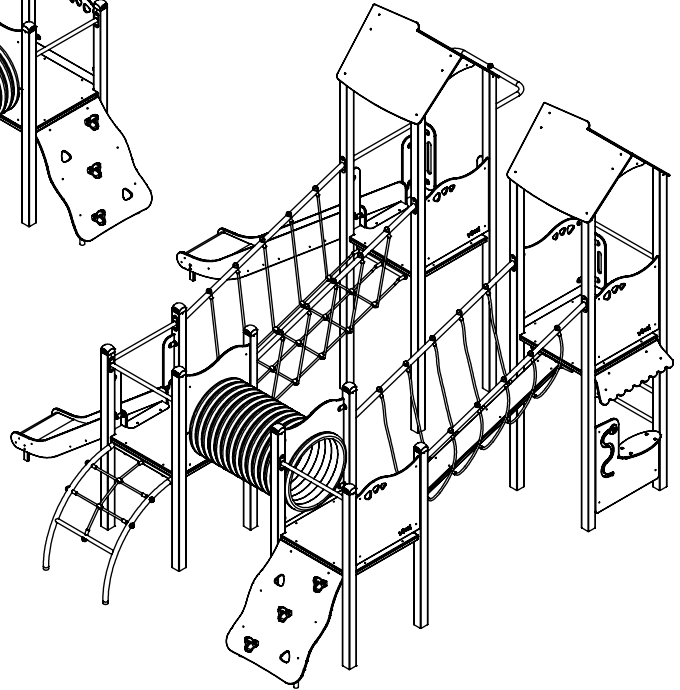
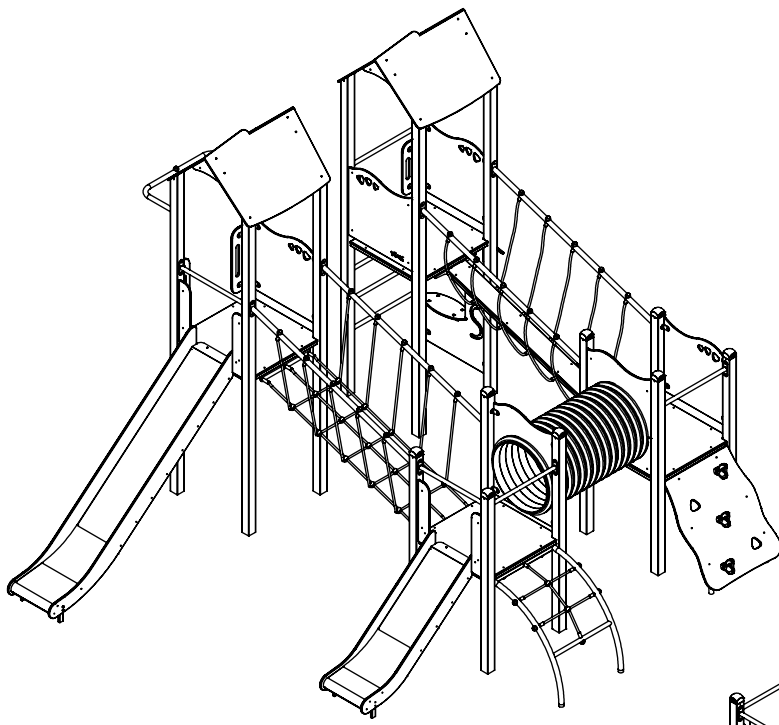


0208



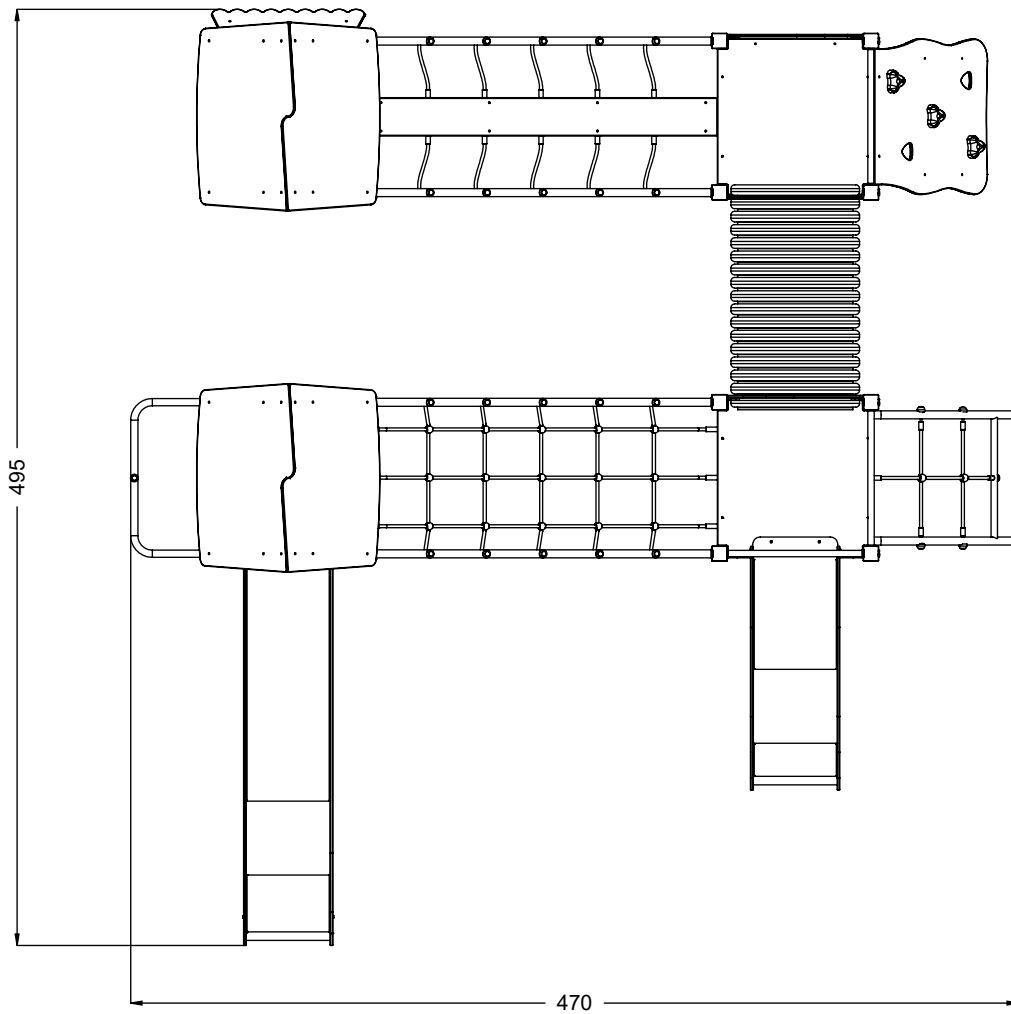
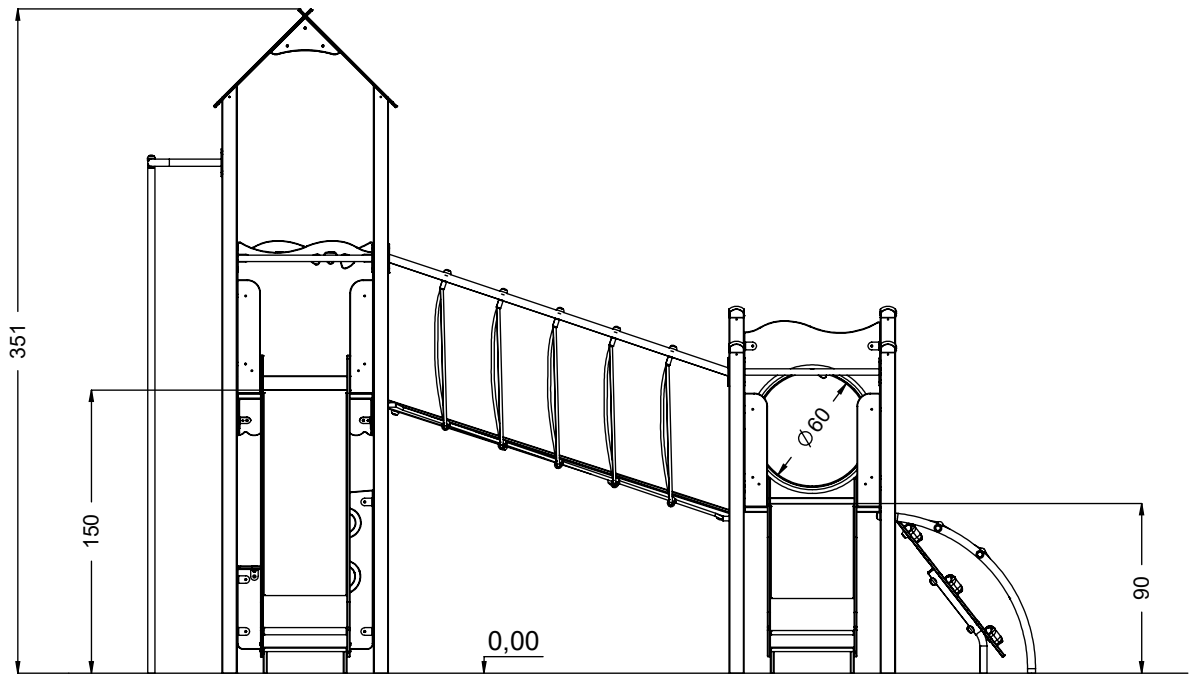
v013
17.05.2021
A. P.
[cm]

vinci
play



[cm]

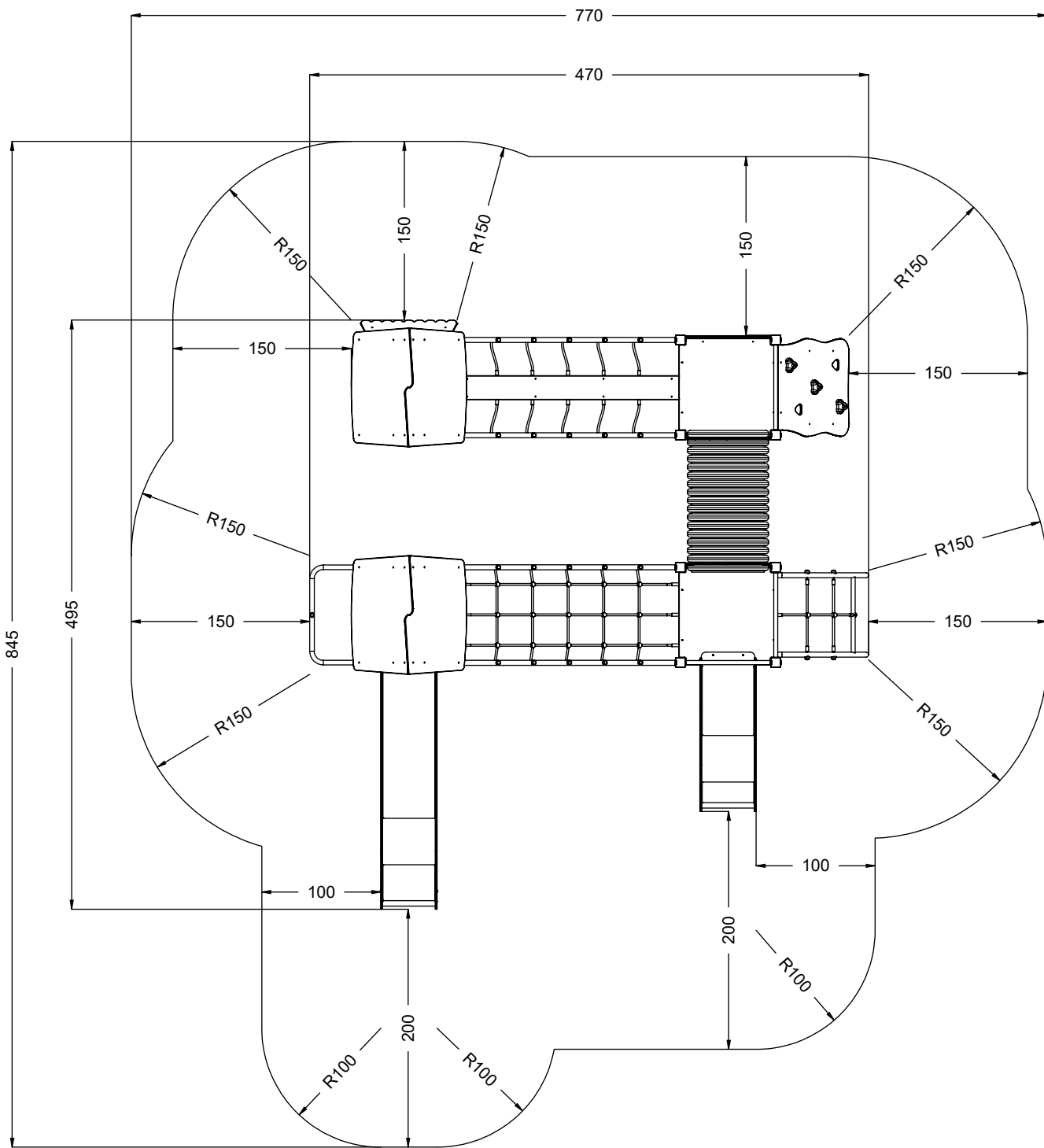
vinci
play



[cm]



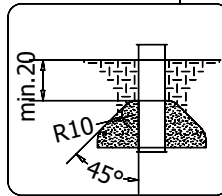
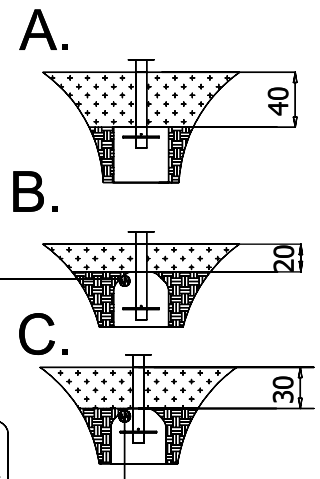
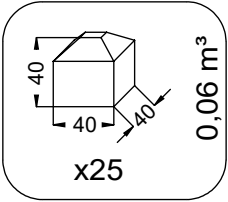
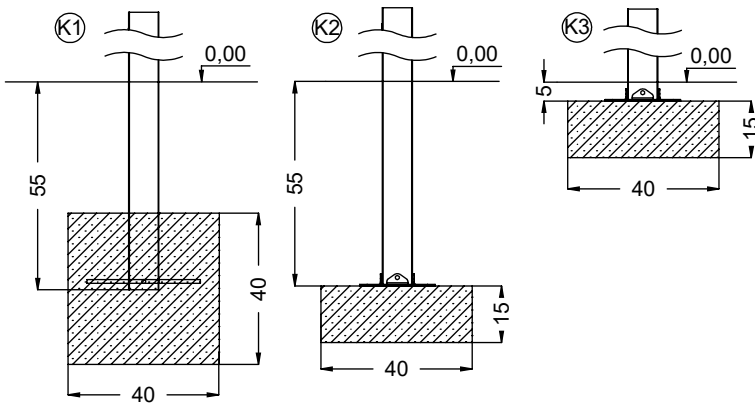
vinci
play



[cm]



vinci
play

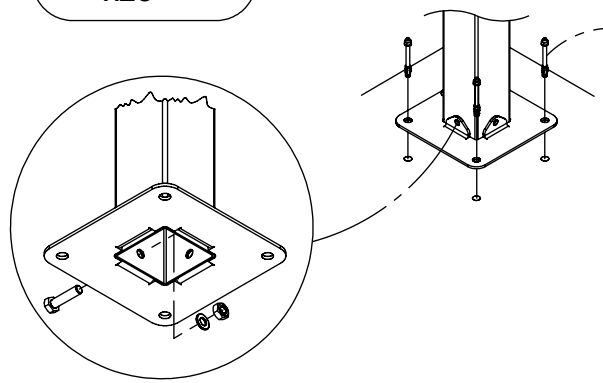
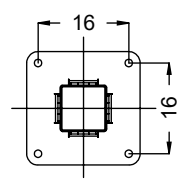


64x M10x120 (K2)
68x M10x120 (K3)

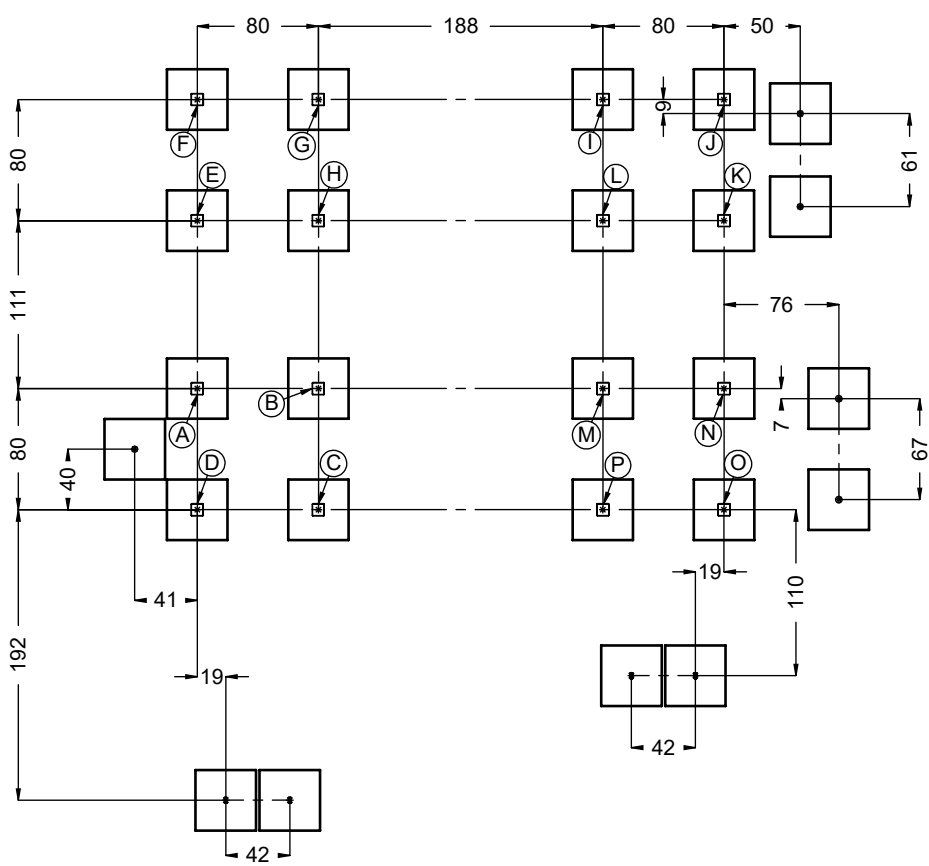
NOT INCLUDED

10x M8x120 (K2)
6x M8x120 (K3)

NOT INCLUDED



E37

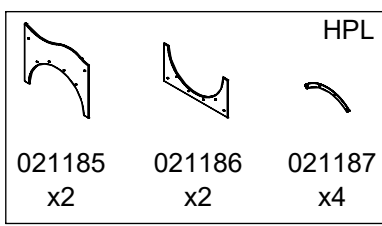
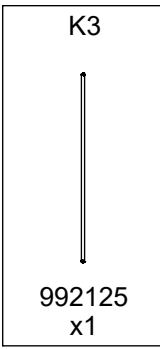
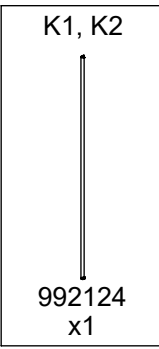
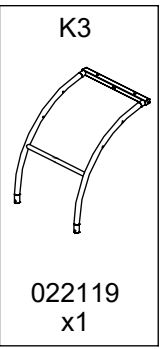
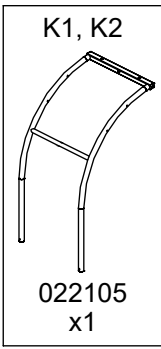
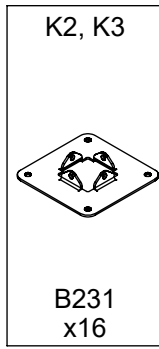
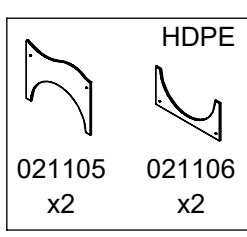
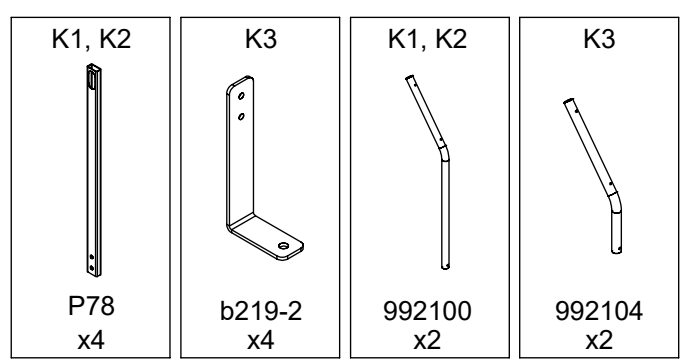
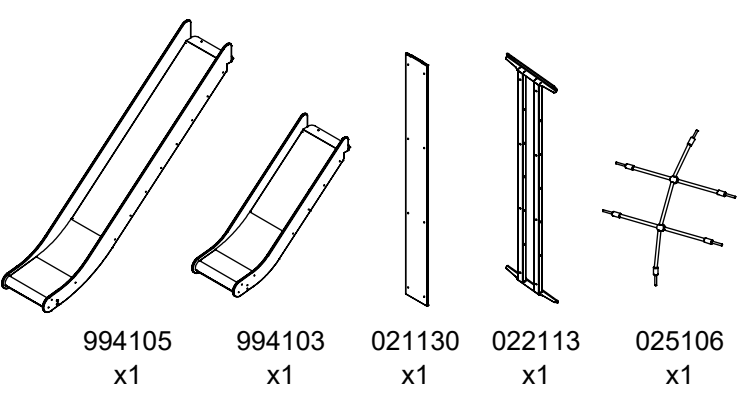
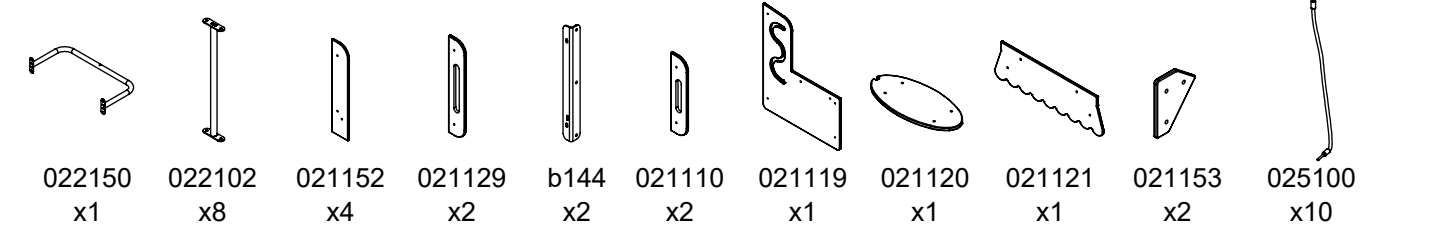
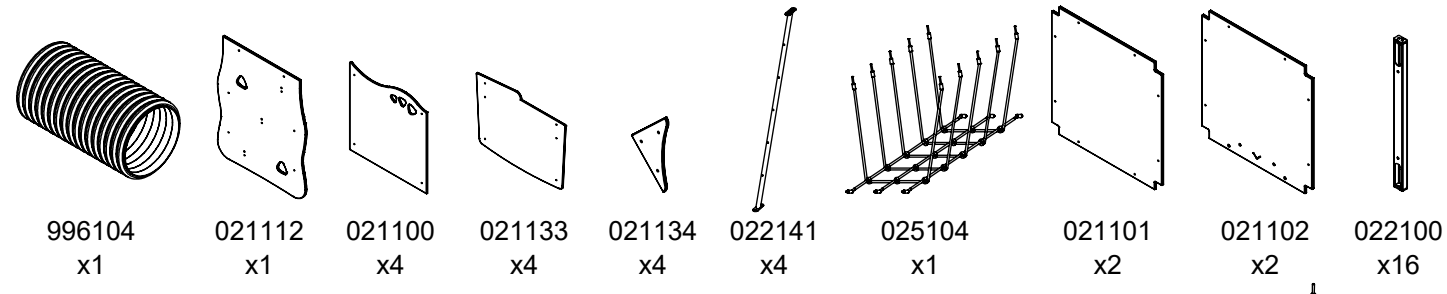
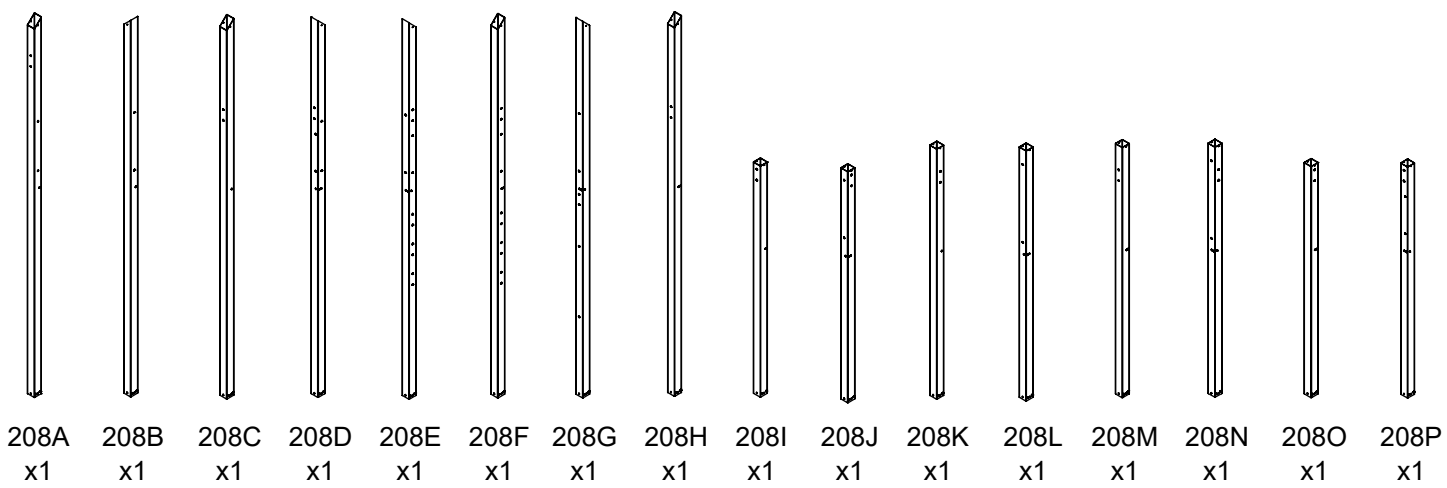


[cm]

x2
 10,5h

 48h
 K1 x25 >0.06m³
 K2/K3 x25 >0.02m³

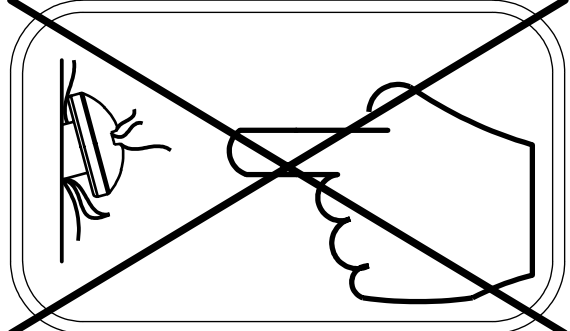
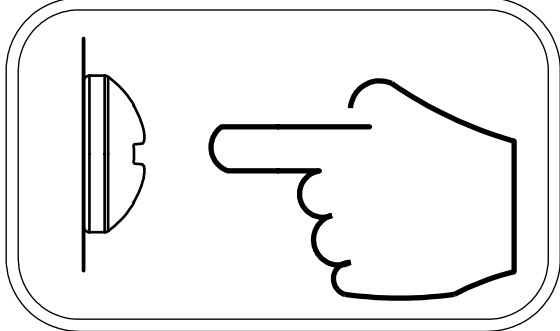
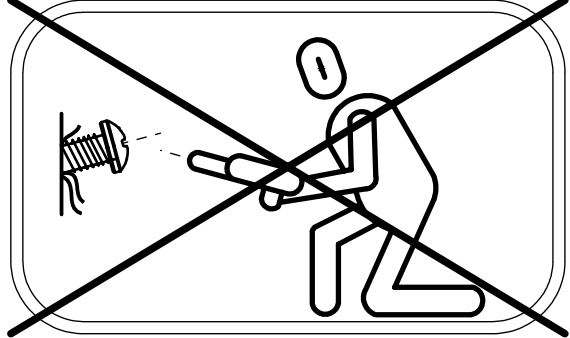
vinci play

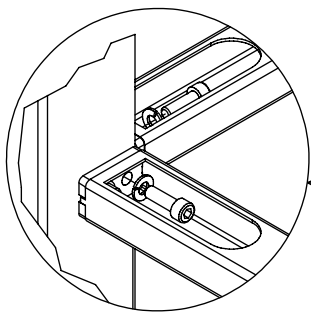


[cm]

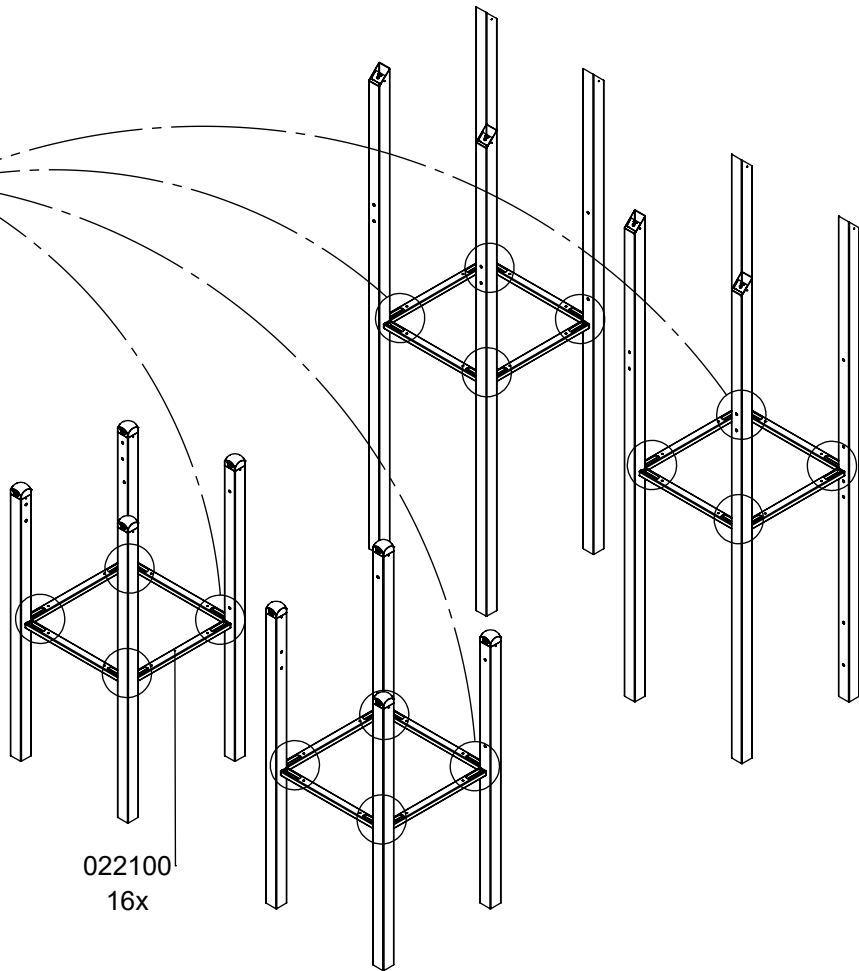
vinci play

ST/INOX		PLYWOOD / HDPE		HPL	
		2 x	E8 (S1)	2 x	E9 (S1)
2x	E34 (K1, K3)	2 x	E152 (S6)	2 x	E153 (S6)
2x	E35 (K2)	2x	PS31	2x	PH31
2x	E88 (K2, K3)	2x	CE2	2x	CL2
1x	E38 (K2, K3)	1x	E4	1x	E5
	E37 (K2, K3)	6x	CE1	6x	CL1
2x	E28	5x	CE4	5x	CL4
13x	E1	1x	PS22	1x	PH22
1x	E51	1x	CE6	1x	CL6
4x	E3	1x	PS1	1x	PH1
1x	E39	3x	PS2	3x	PH2
1x	E238	2 x	CE31	2 x	CL31
1x	V001	1x	PS21	1x	PH21
		2x	CE111	2x	CL111
		1x	CE5	1x	CL5
		1x	PS93	1x	PH93
		1x	CE40	1x	CL40
				2x	E130

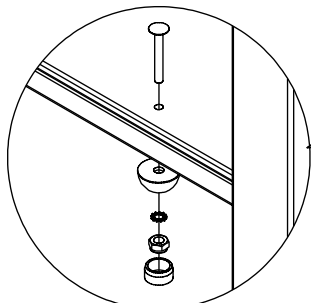




4x **E3**

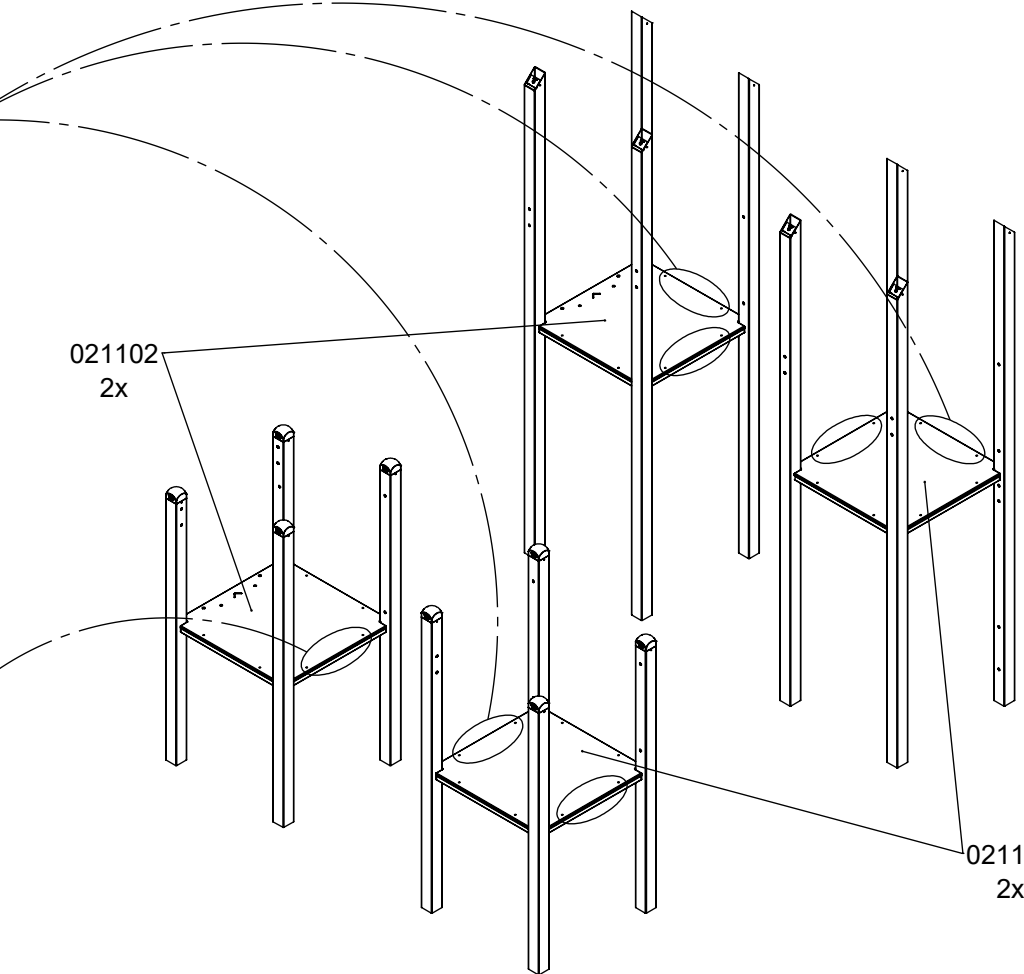


022100
16x

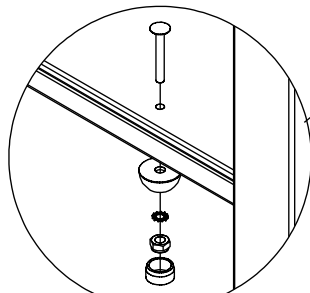


PLYWOOD HPL
3x **PS2** **PH2**

021102
2x



021101
2x

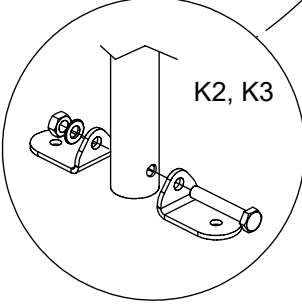
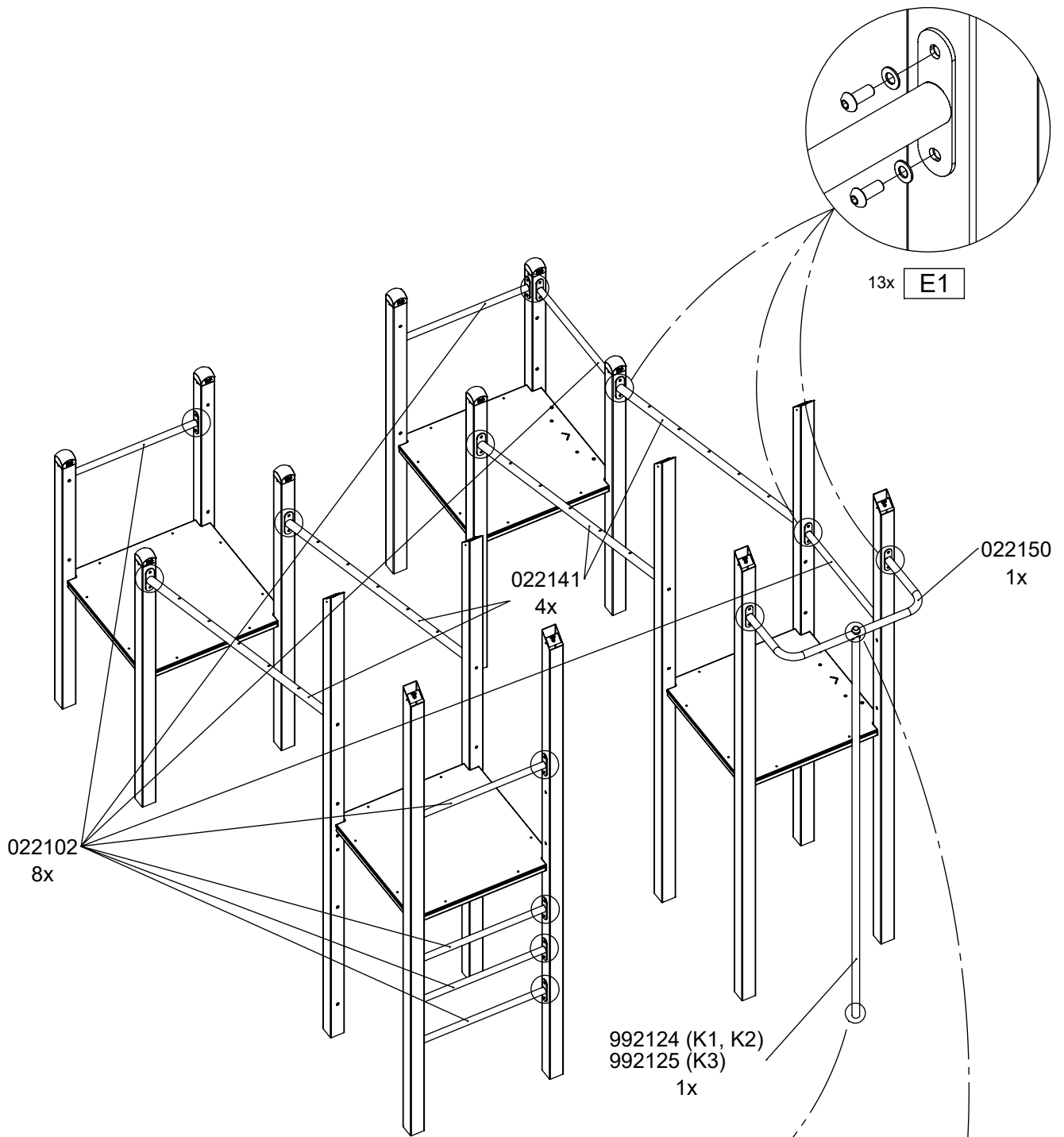


PLYWOOD HPL
1x **PS1** **PH1**

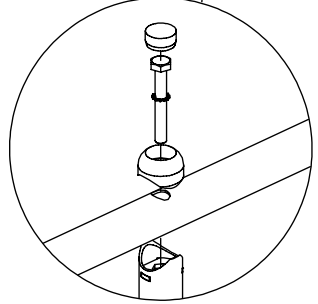


[cm]

vinci
play

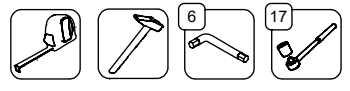


1x **E38**

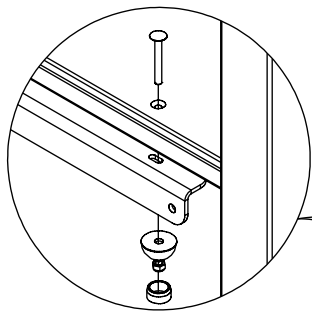


1x **E39**

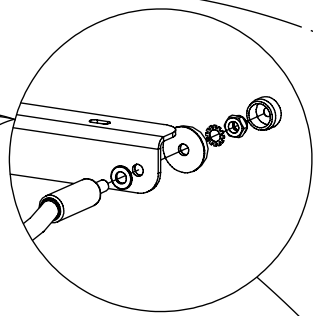
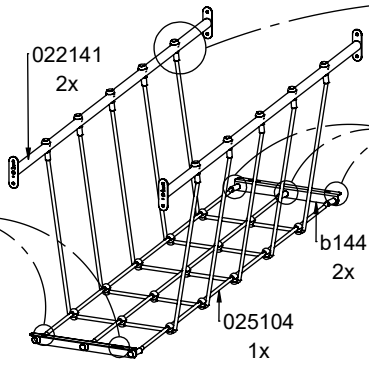
[cm]



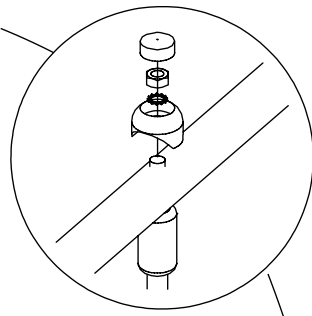
vinci
play



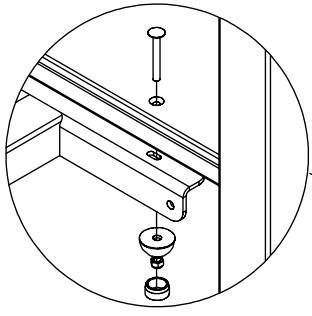
PLYWOOD PS31 HPL PH31
1x



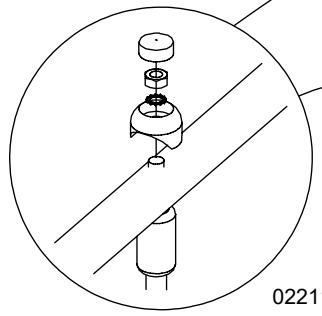
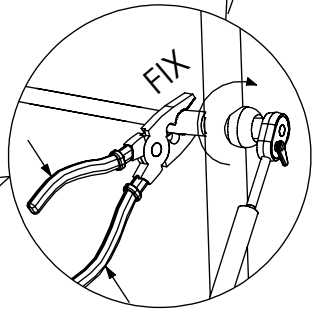
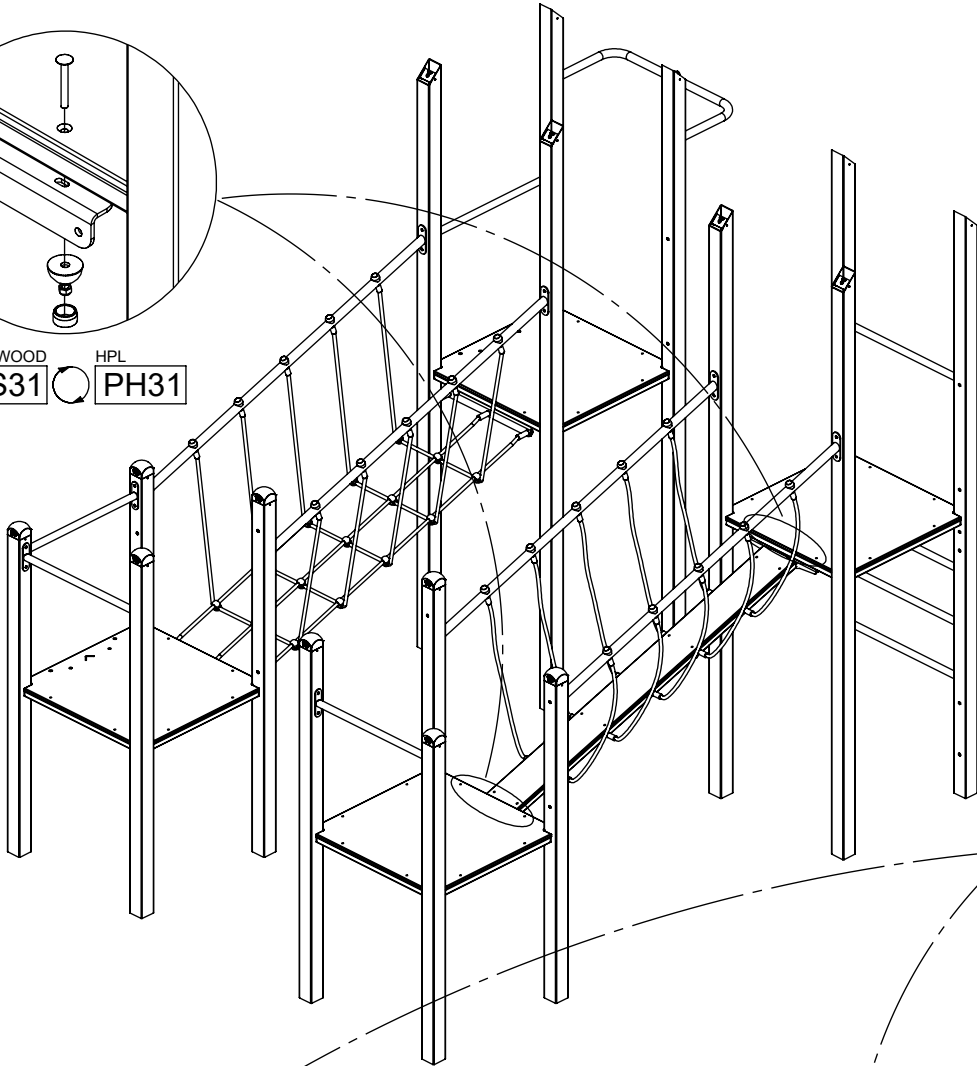
1x E51



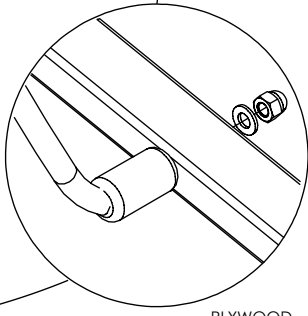
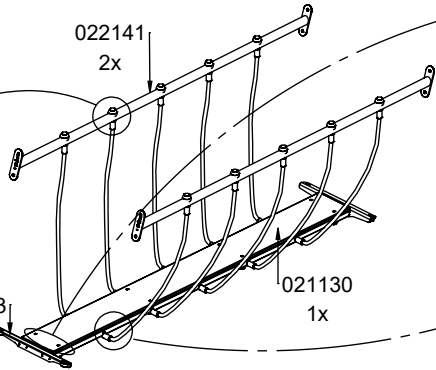
1x E28



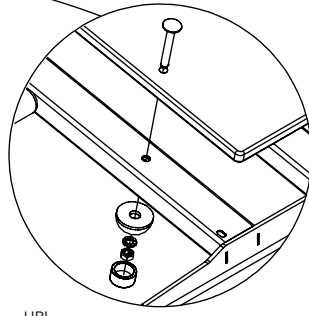
PLYWOOD PS31 HPL PH31
1x



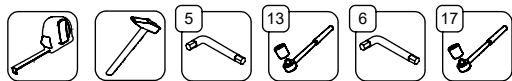
1x E28



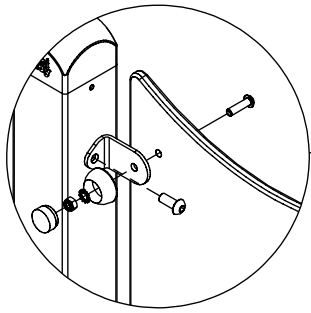
PLYWOOD PS22 HPL PH22
1x



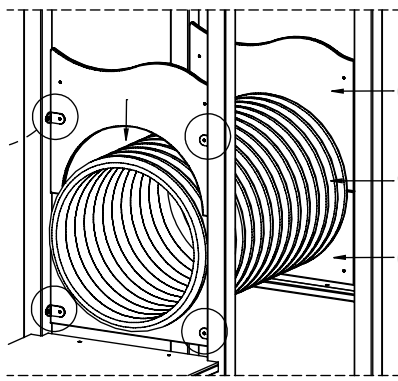
[cm]



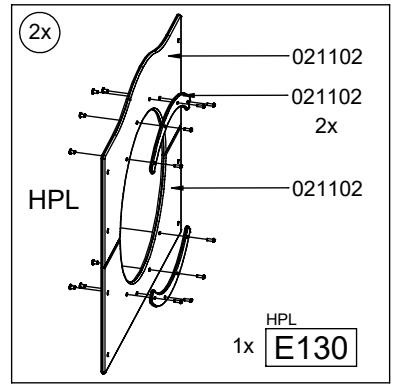
vinci play



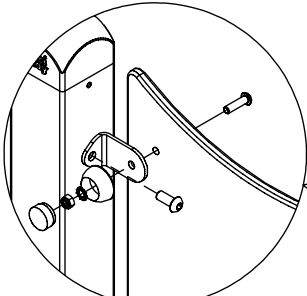
2x HDPE CE4 HPL CL4



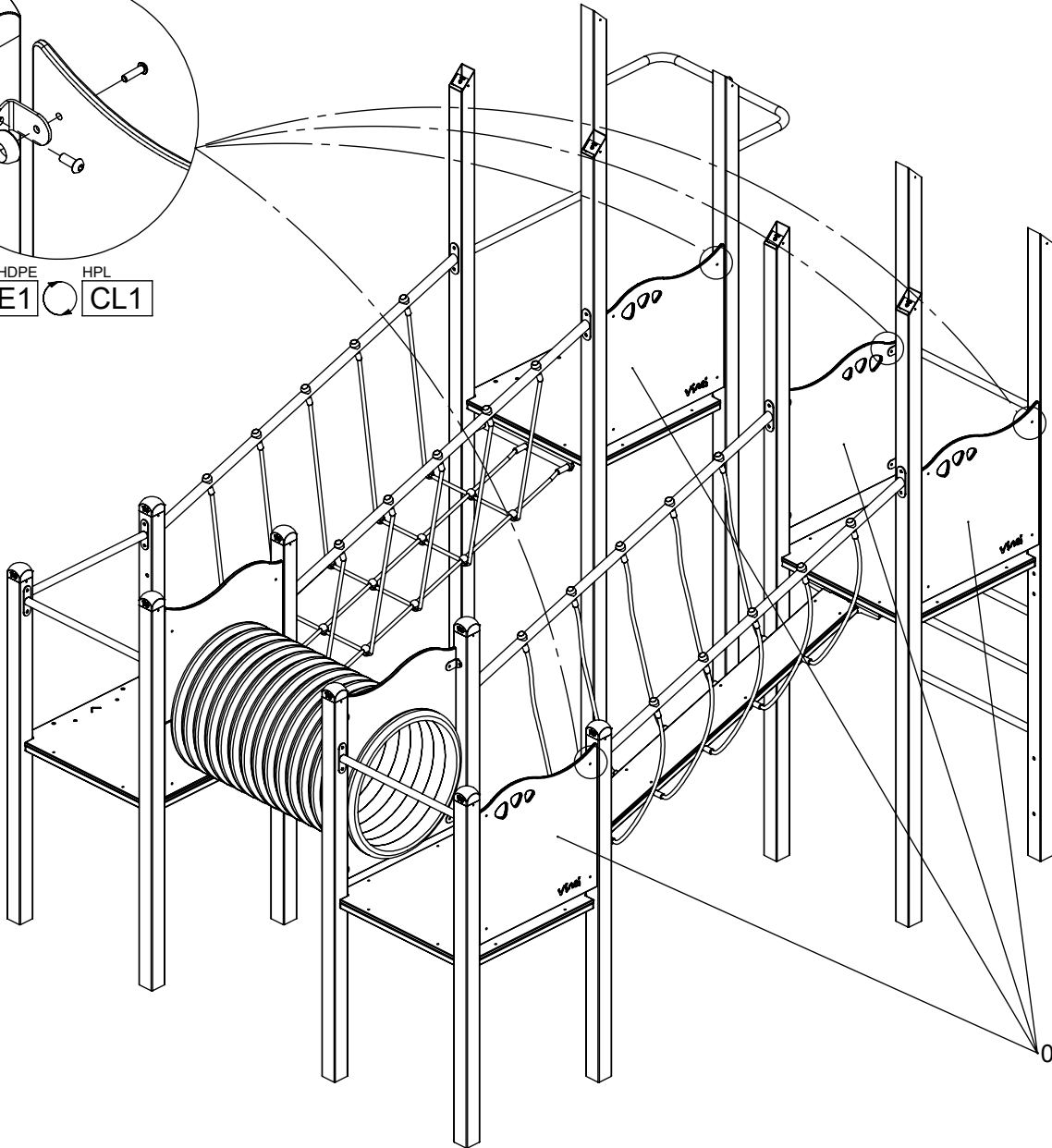
021105 2x
996104 1x
021106 2x



2x 021102
021102 2x
021102
HPL
1x E130



4x HDPE CE1 HPL CL1

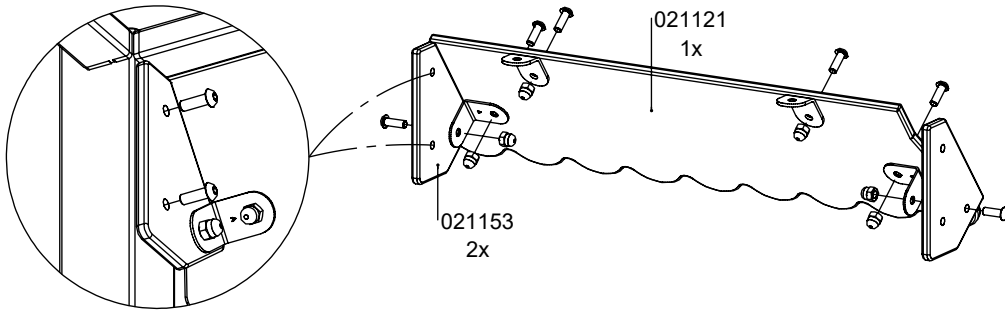


021100 4x

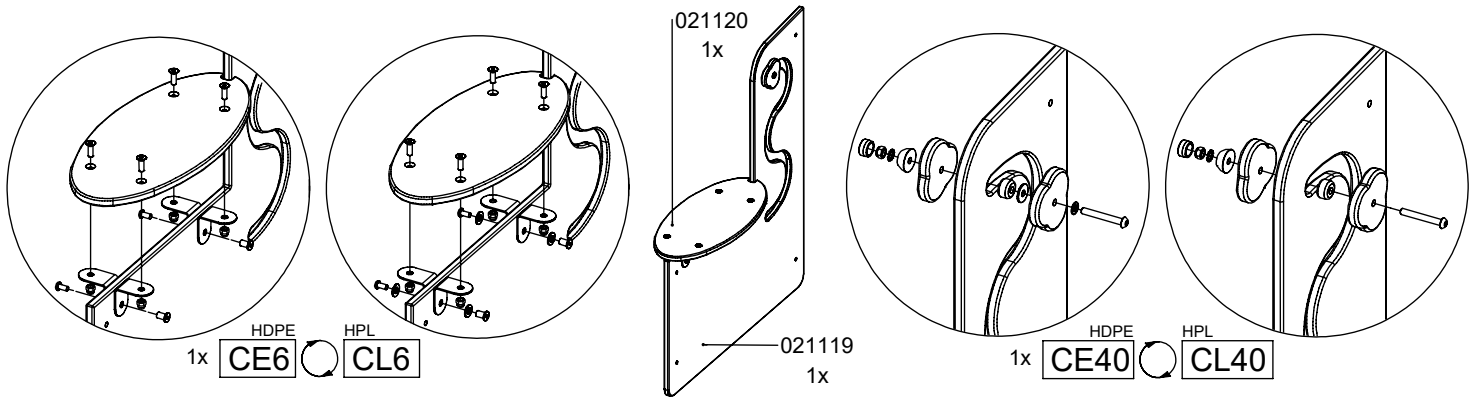
[cm]



vinci play

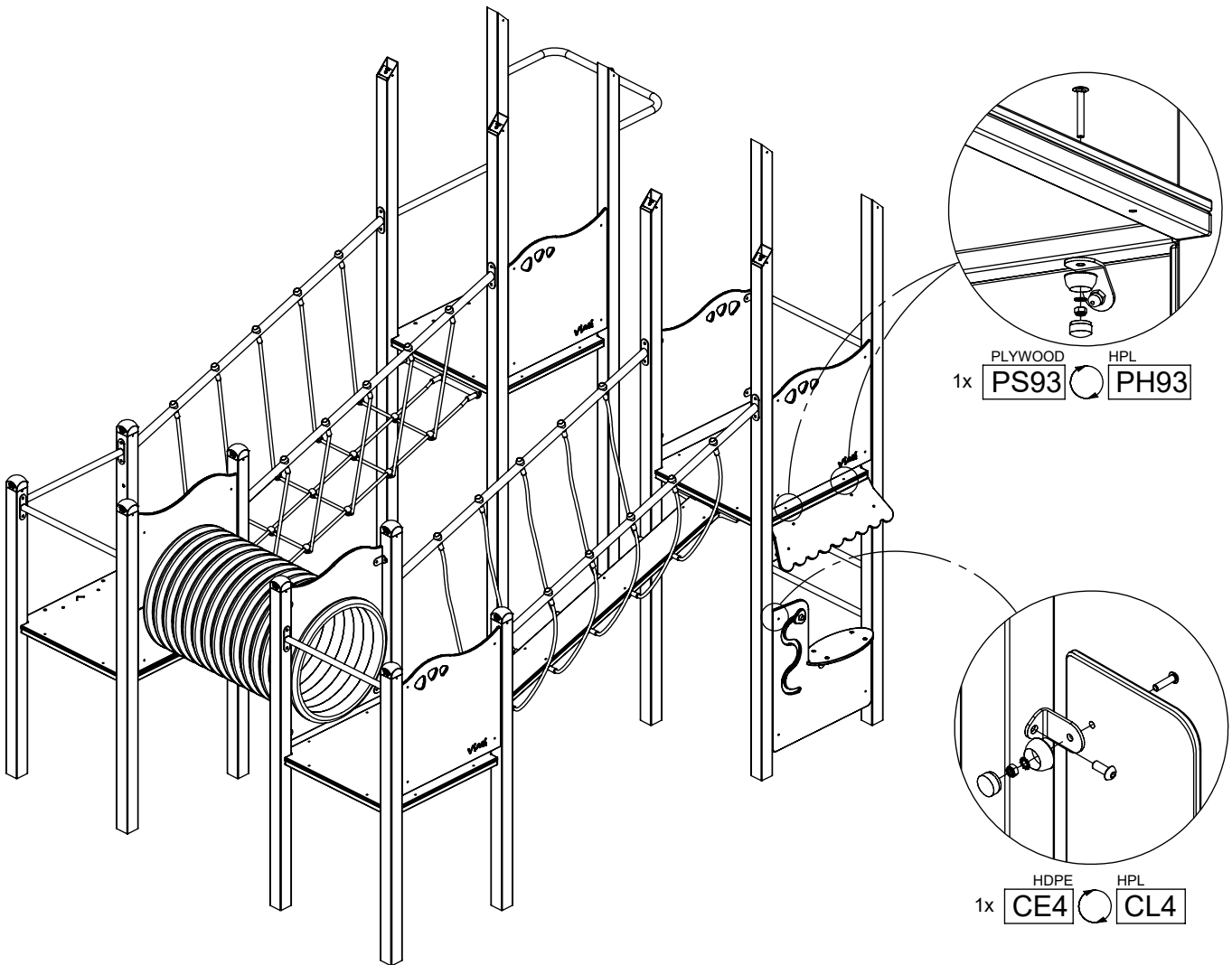


1x HDPE
CE5 HPL
CL5



1x HDPE
CE6 HPL
CL6

1x HDPE
CE40 HPL
CL40



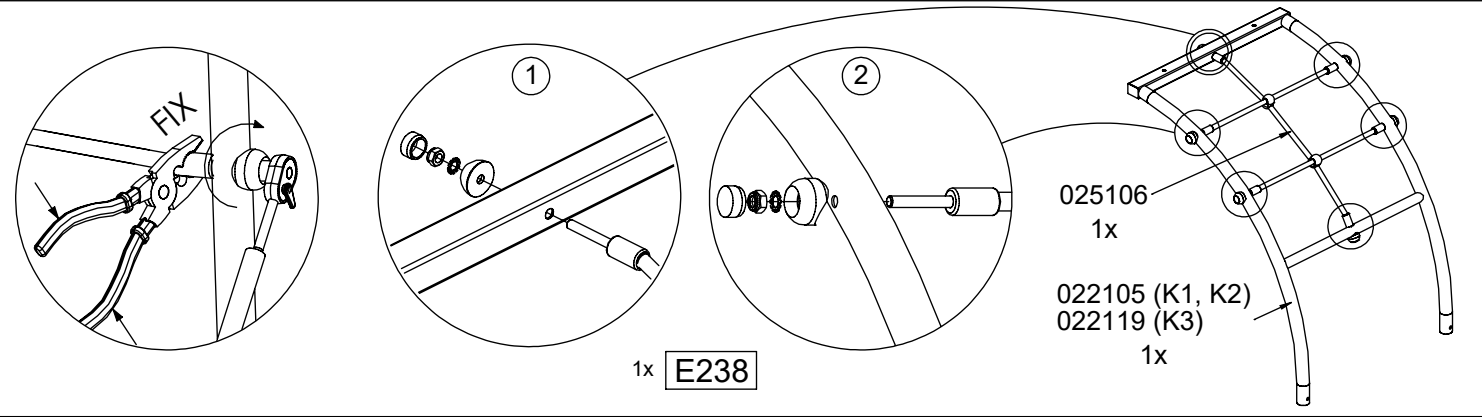
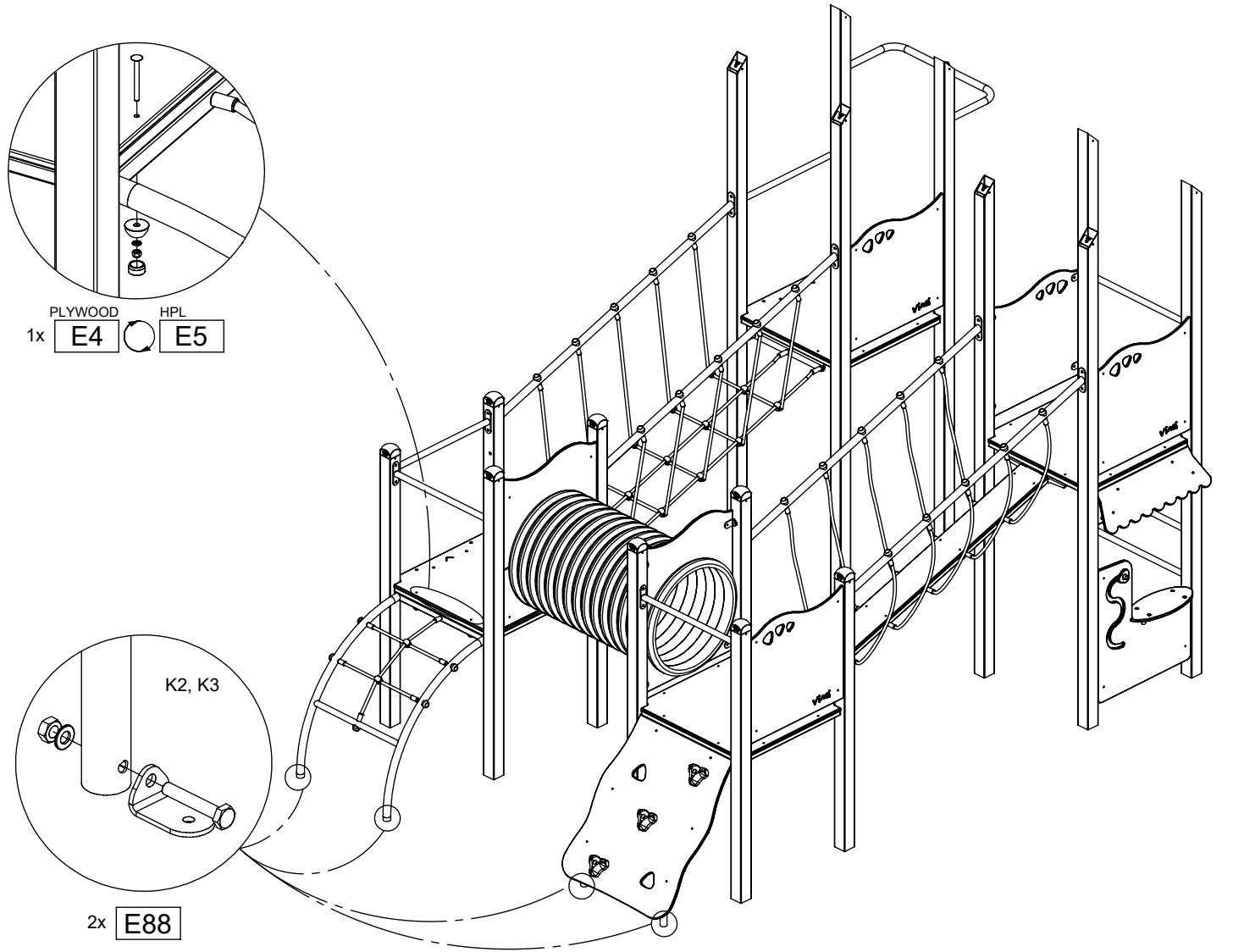
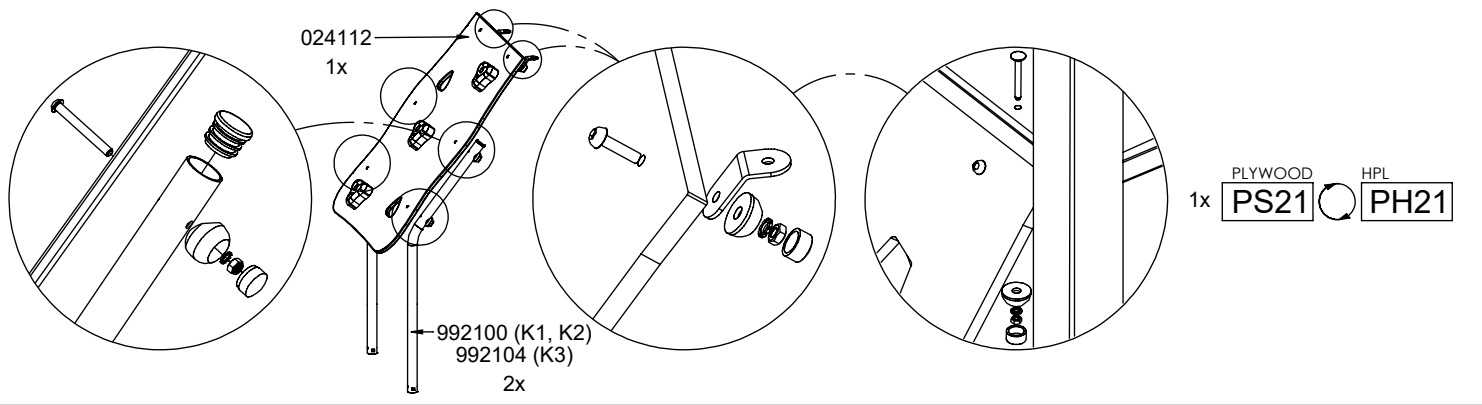
1x PLYWOOD
PS93 HPL
PH93

1x HDPE
CE4 HPL
CL4

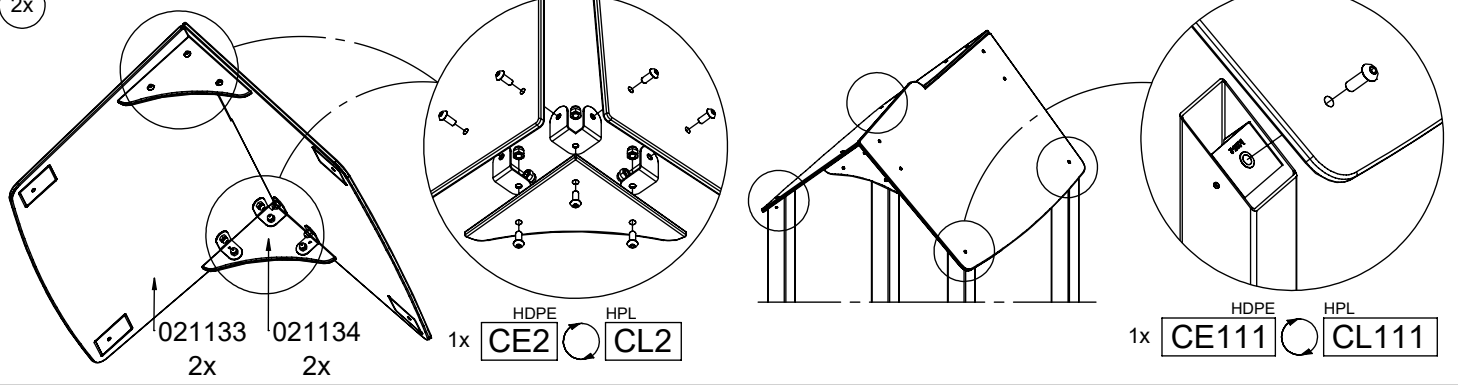
[cm]



vinci
play



2x

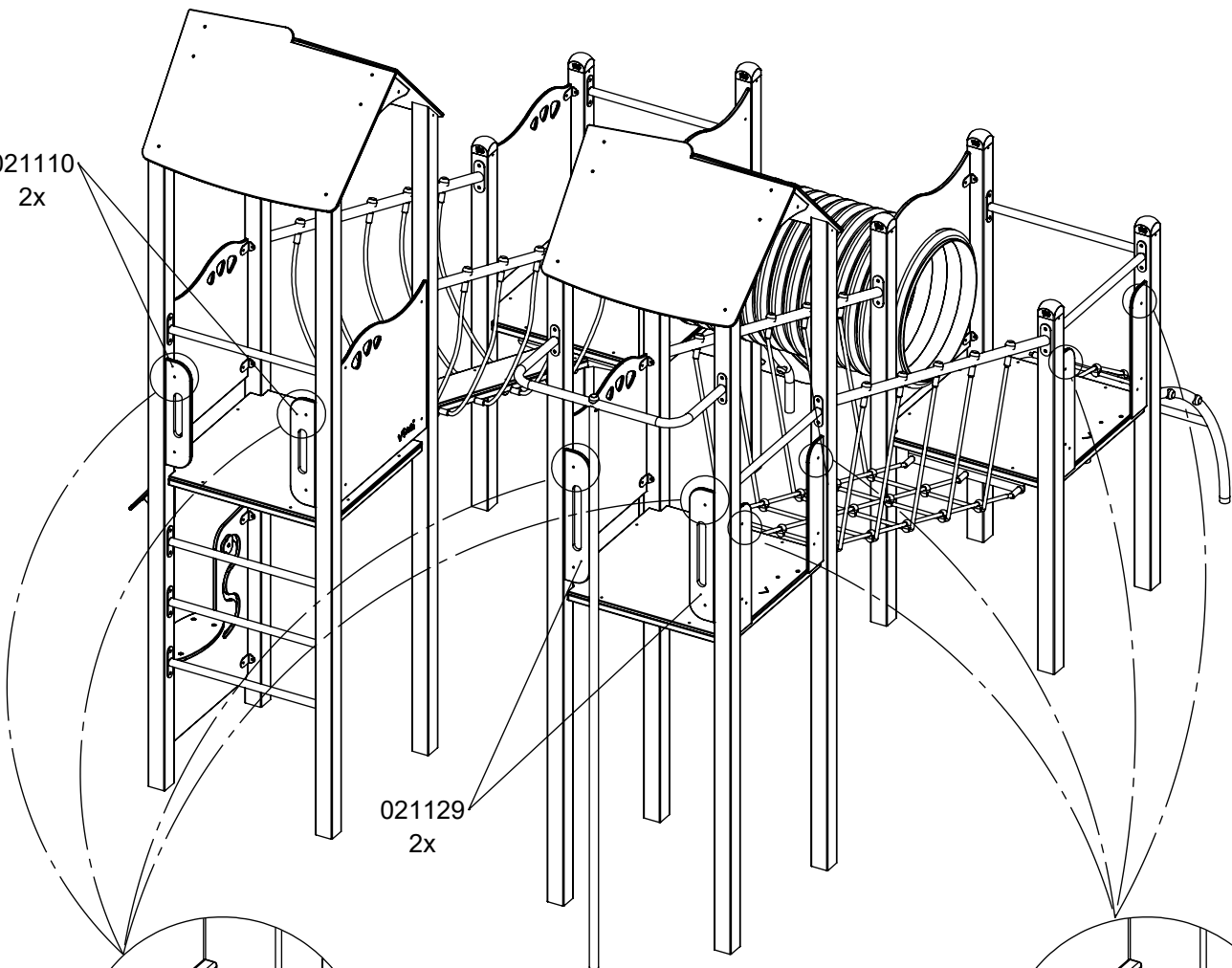


021133 2x
021134 2x

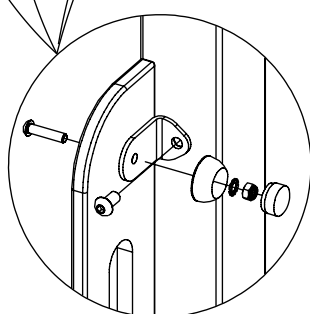
1x HDPE HPL
CE2 CL2

1x HDPE HPL
CE111 CL111

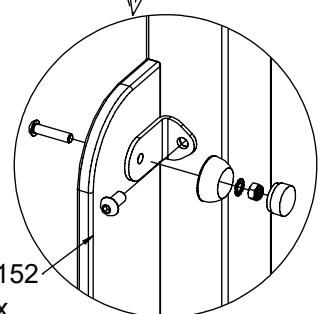
021110
2x



021129
2x

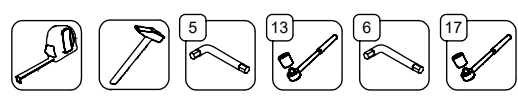


2x HDPE HPL
CE4 CL4

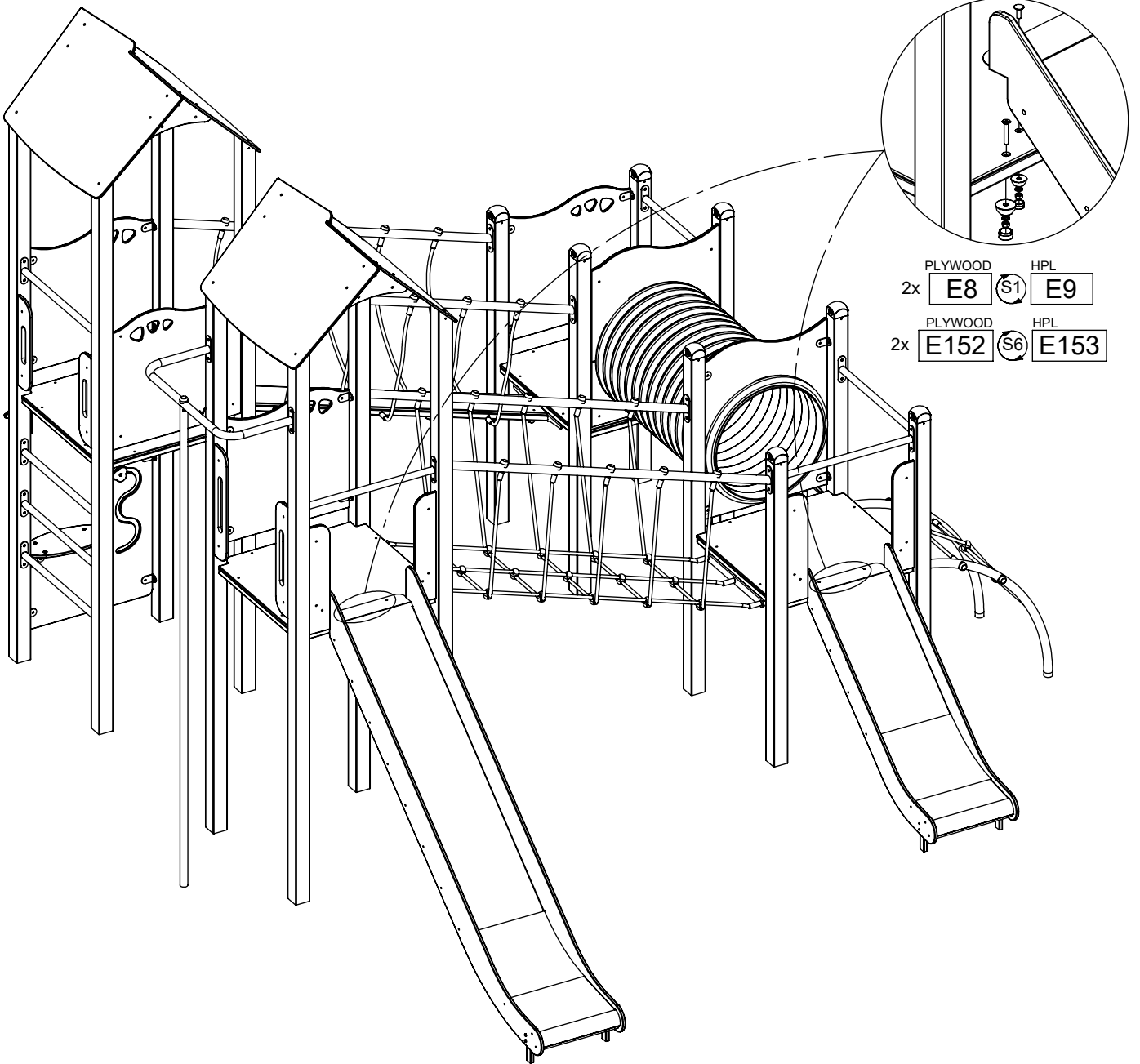


021152
4x HDPE HPL
CE1 CL1

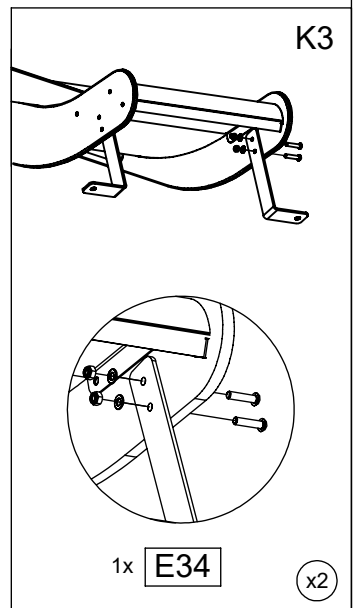
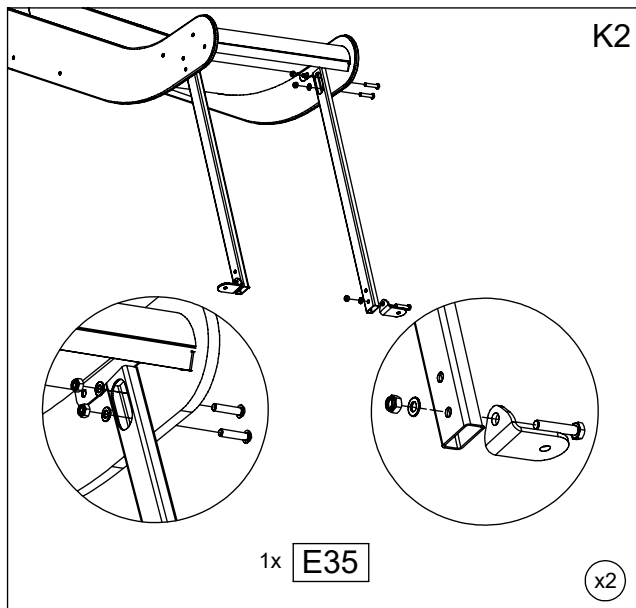
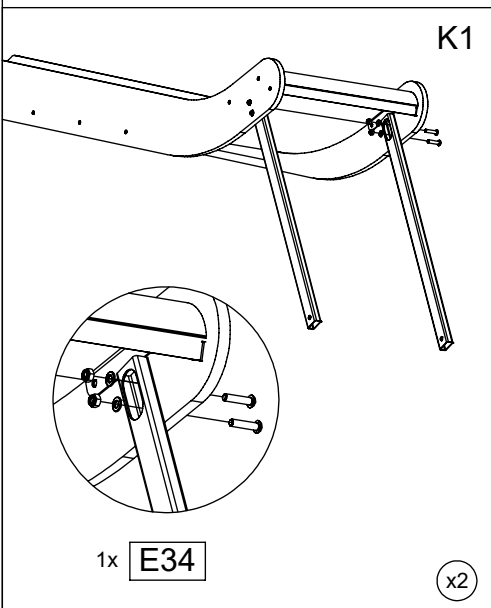
[cm]



vinci
play



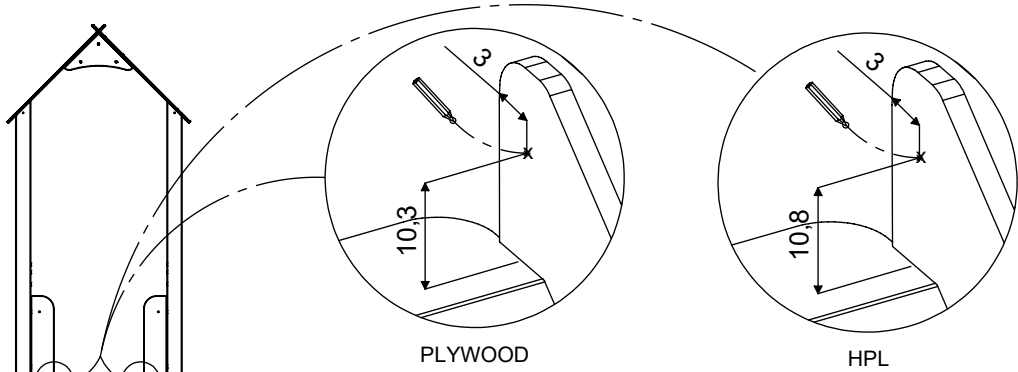
- | | | |
|----|------------------|-------------|
| | PLYWOOD | HPL |
| 2x | E8 (S1) | E9 |
| 2x | PLYWOOD | HPL |
| | E152 (S6) | E153 |



[cm]

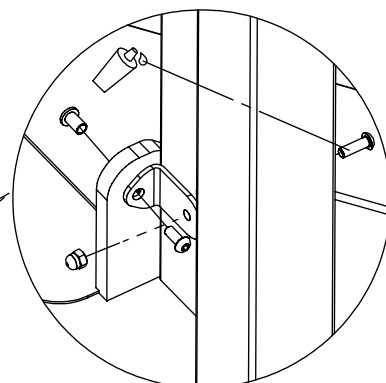
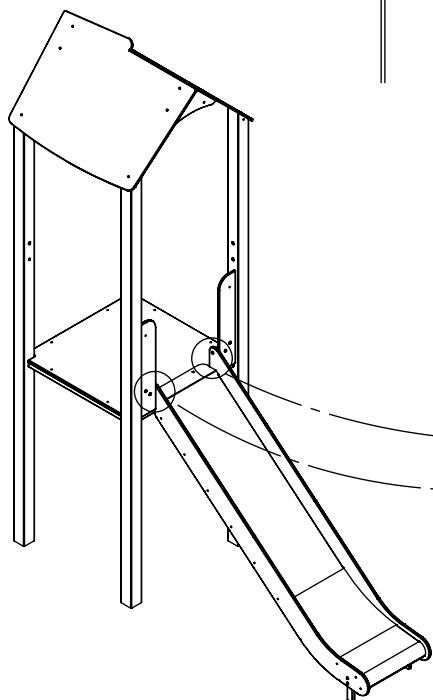
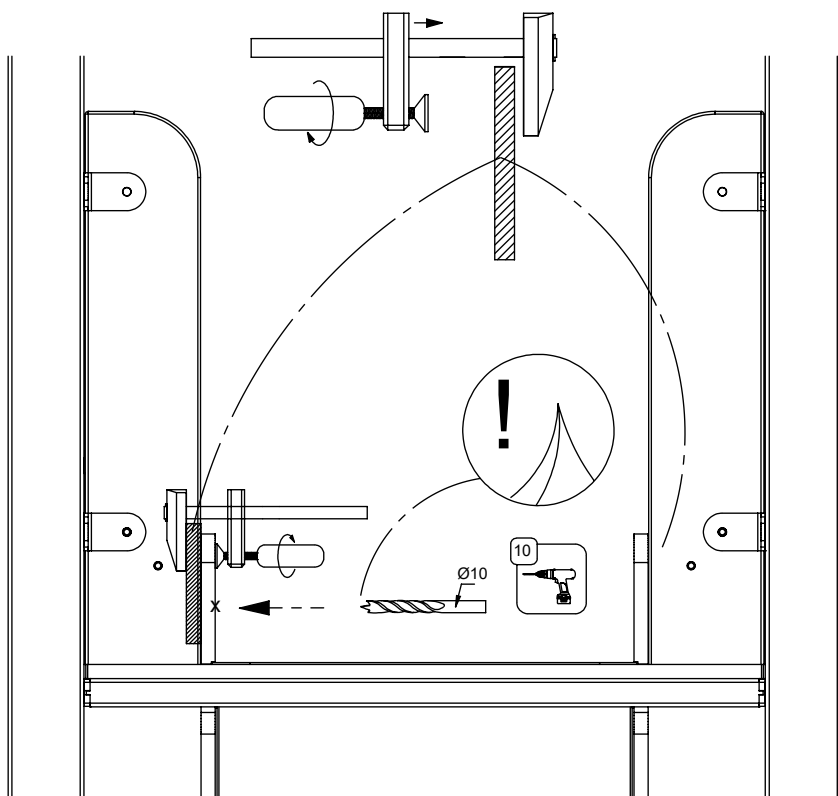


vinci
play



PLYWOOD

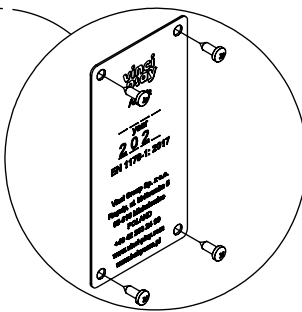
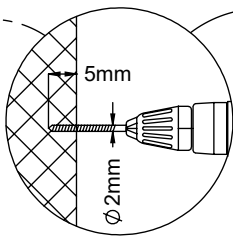
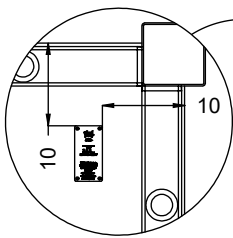
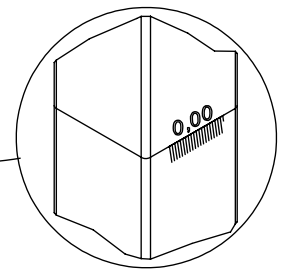
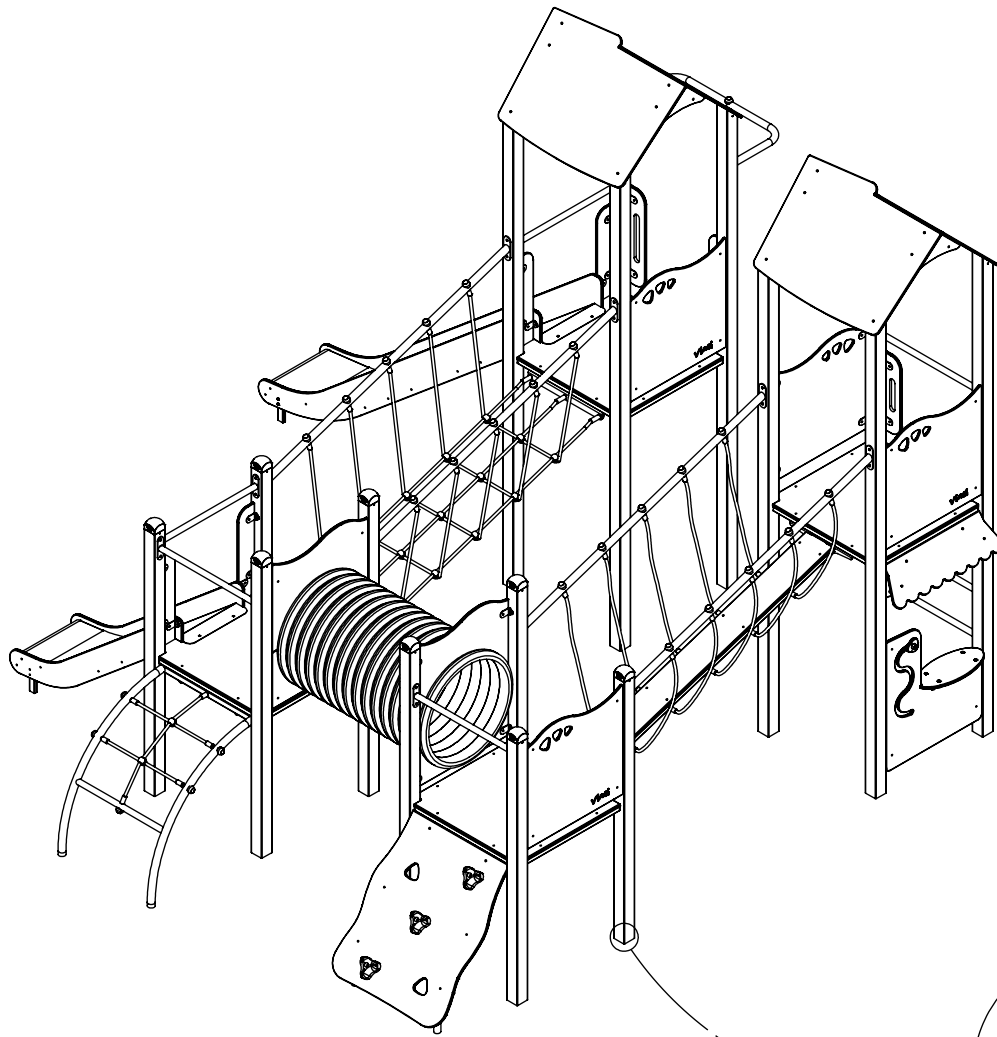
HPL



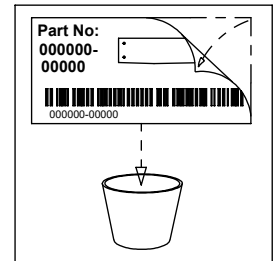
1x

HDPE	HPL
CE31	CL31





V001



[cm]



vinci
play