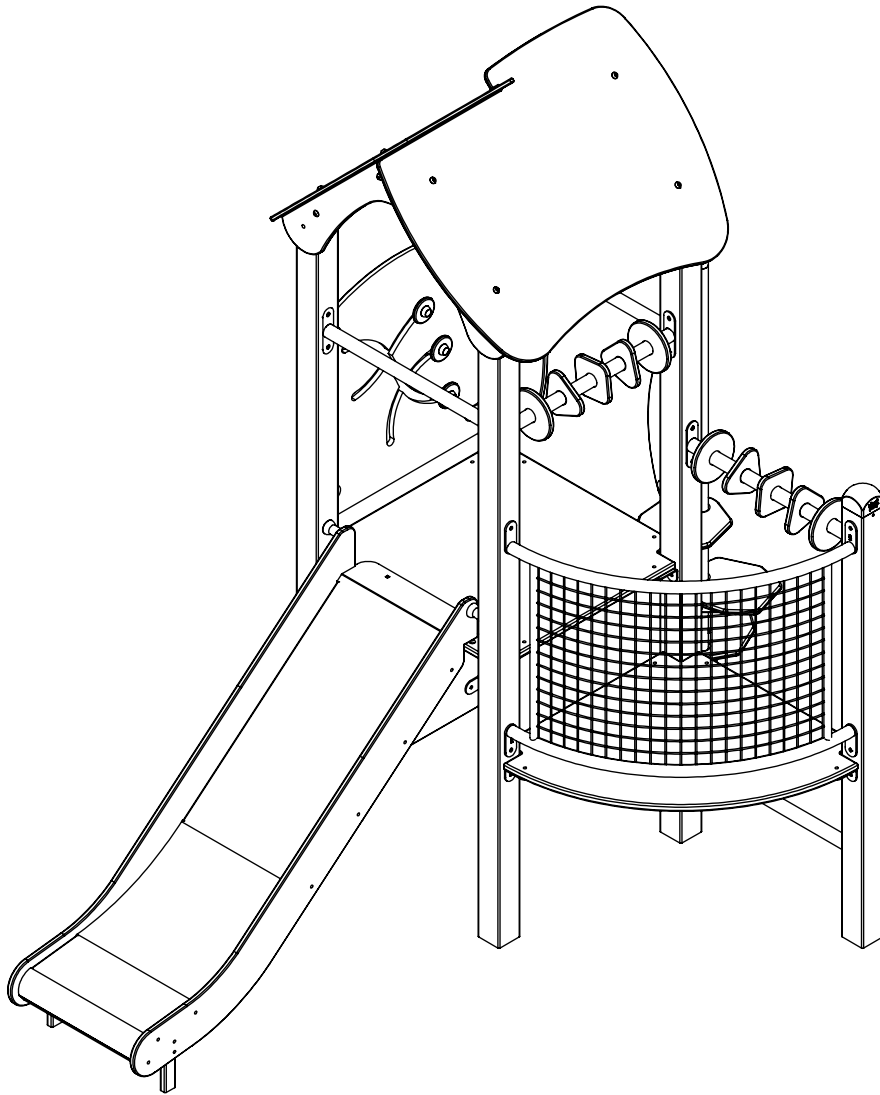
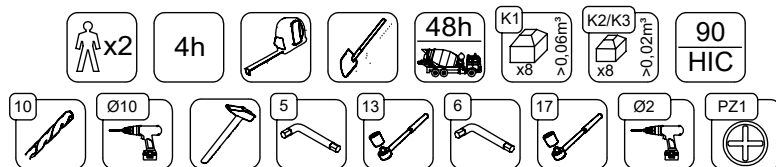


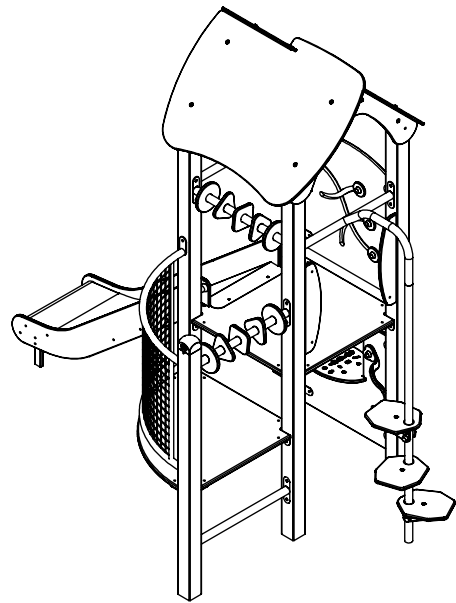
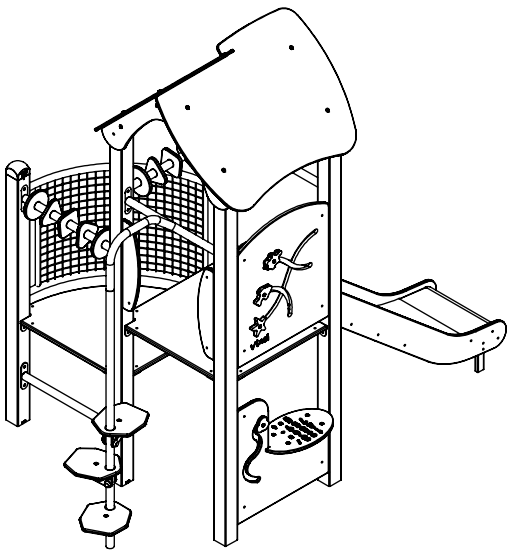
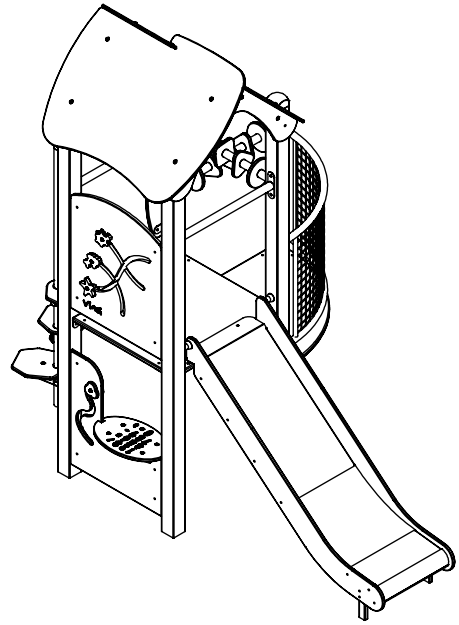
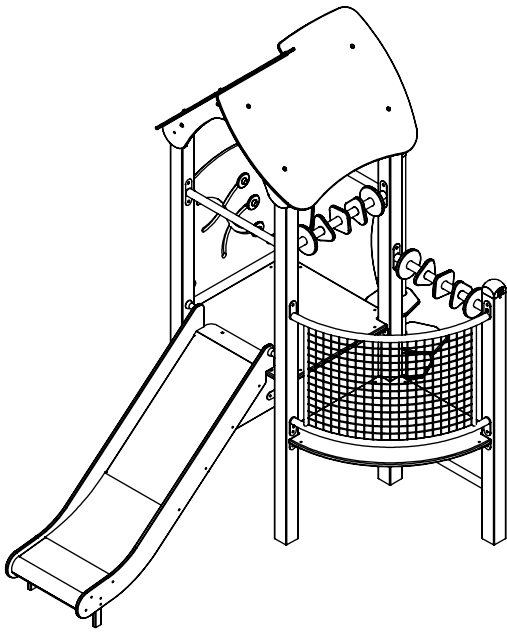
0112



v013
19.08.2020
A. P.
[cm]

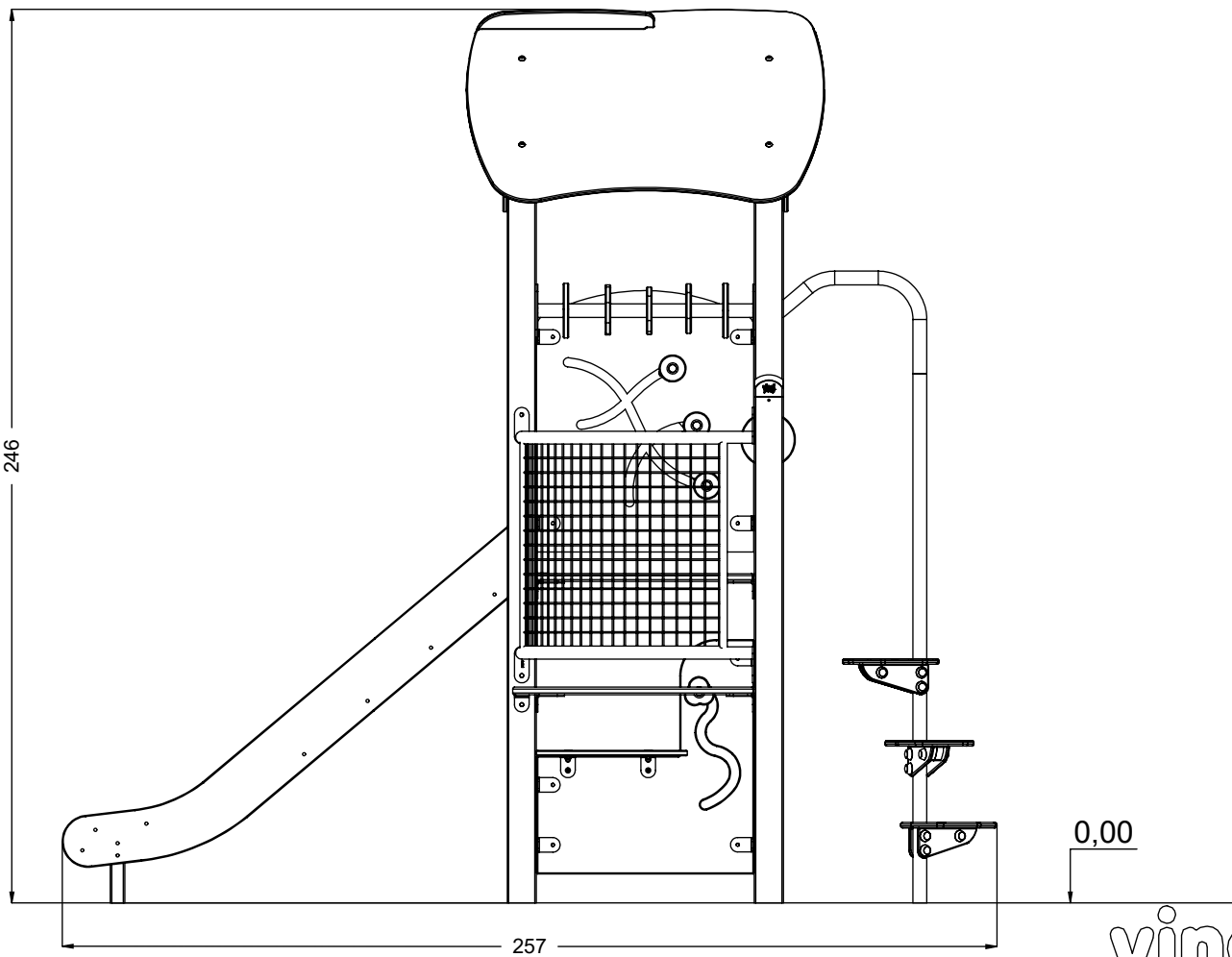
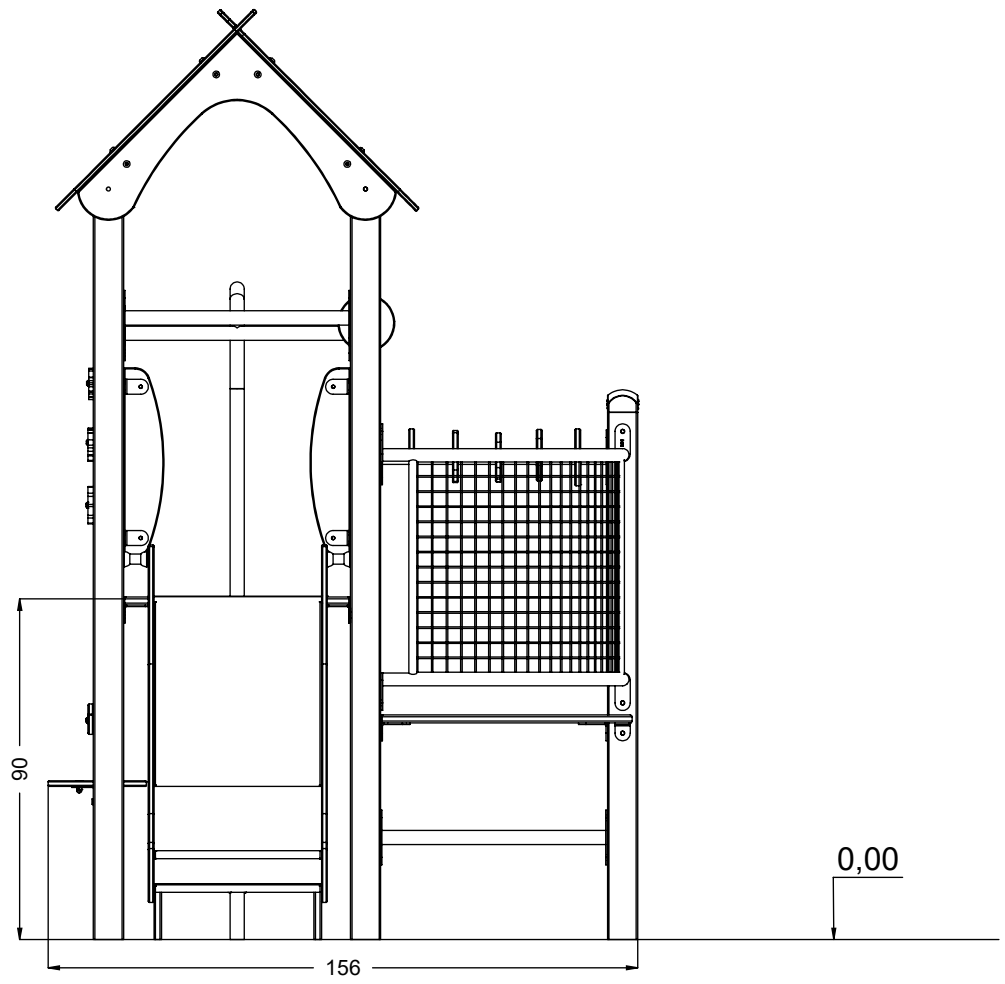


vinci
play



[cm]

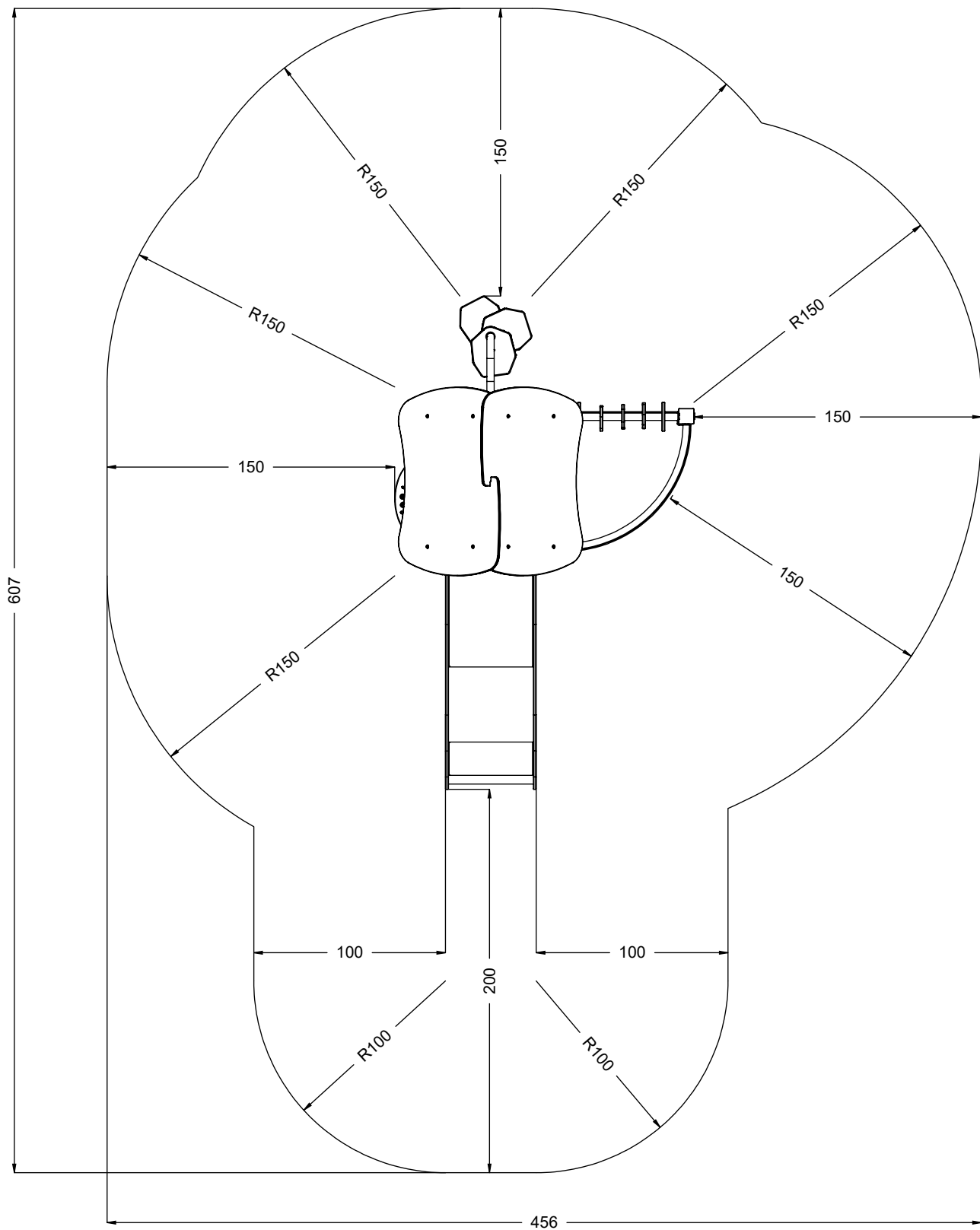
vinci
play



[cm]



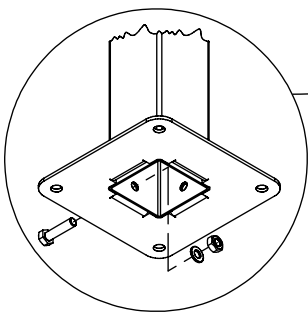
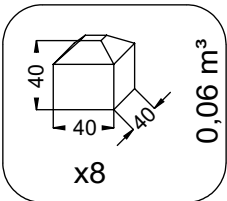
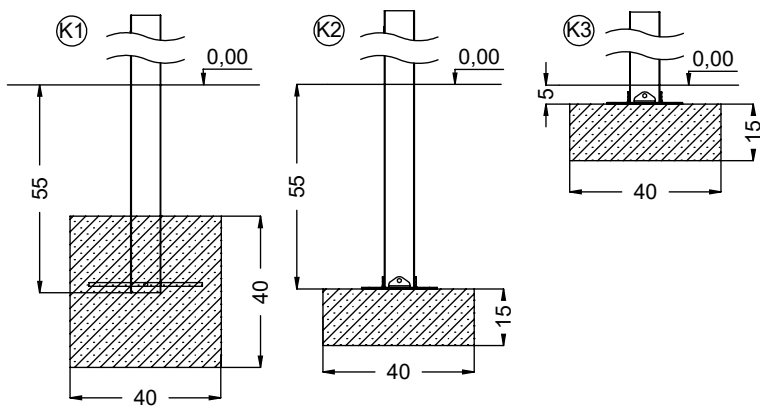
vinci
play



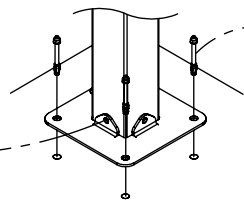
[cm]



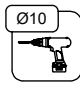
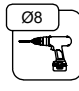




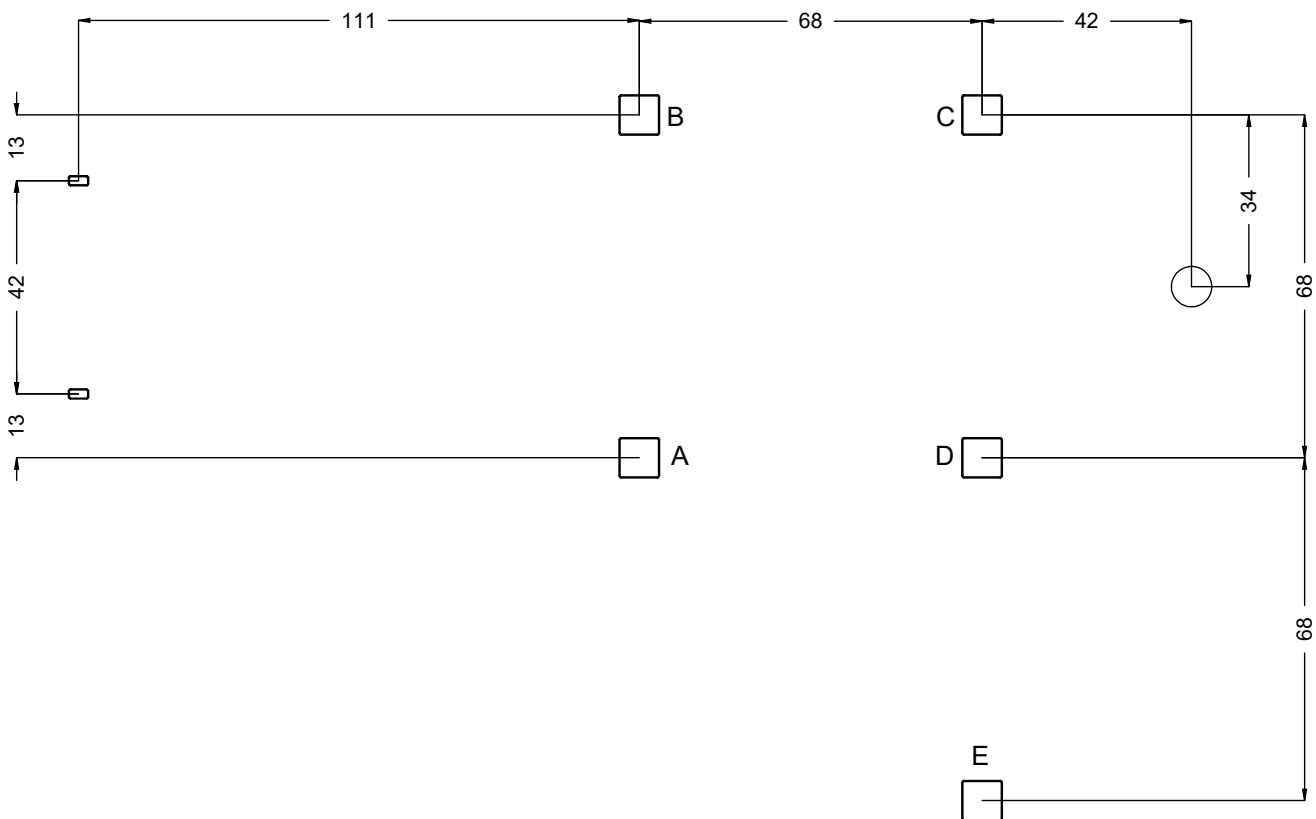
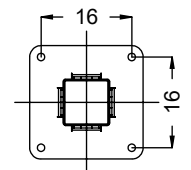
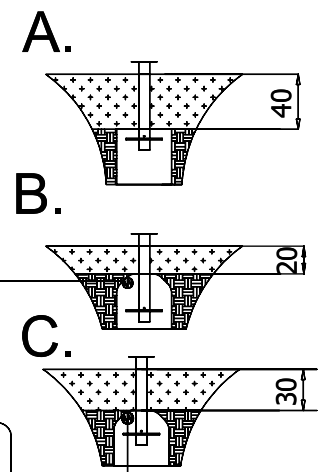
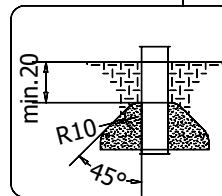
vinci
play



E37



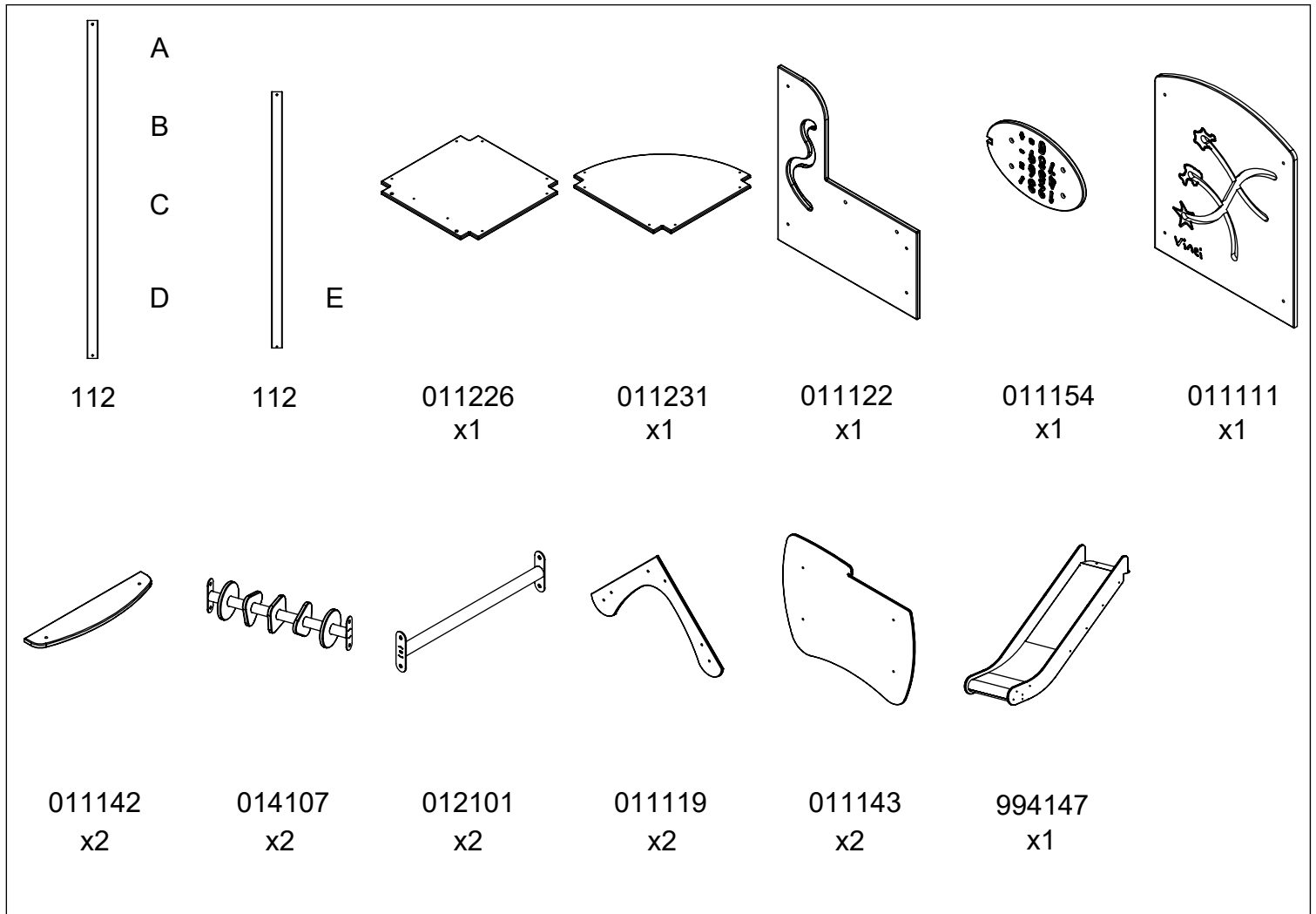
20x M10x120 (K2)	4x M8x120 (K2)
22x M10x120 (K3)	2x M8x120 (K3)
	
	
NOT INCLUDED	NOT INCLUDED
	



[cm]

						
---	---	---	---	---	---	--

vinci play

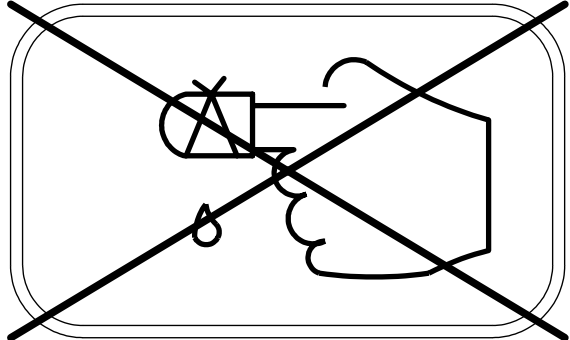
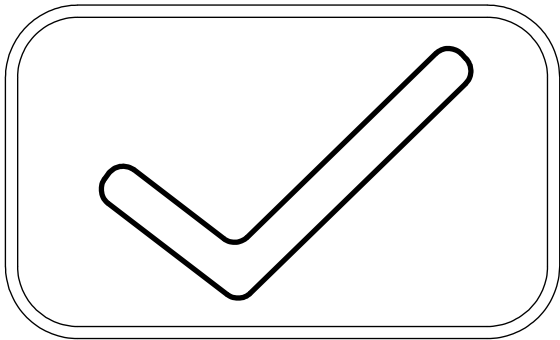
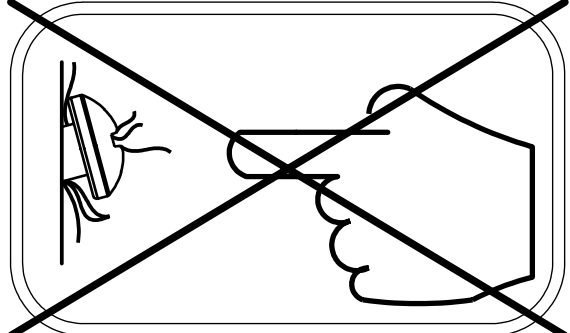
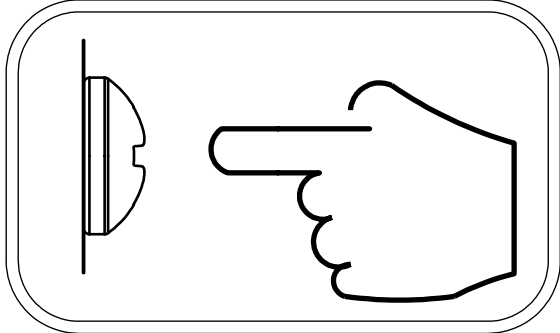
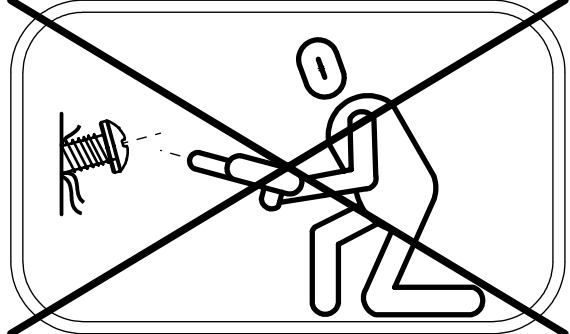
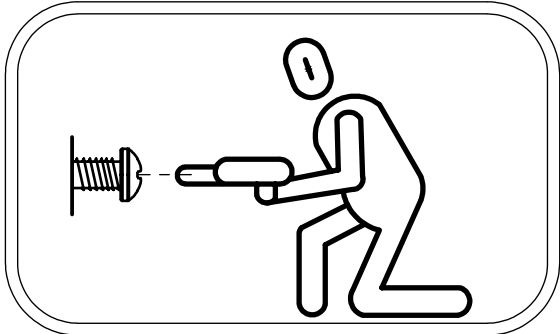


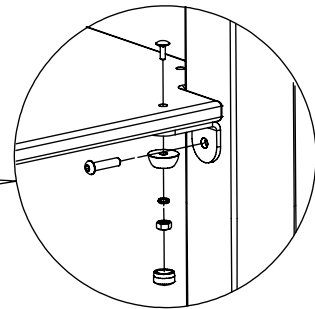
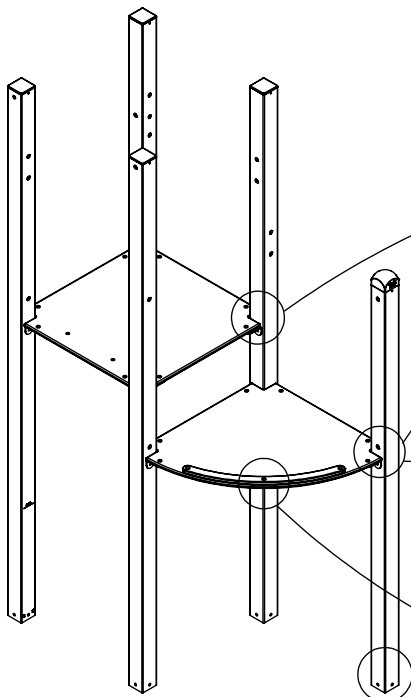
K1, K2	K3	K2, K3	K1, K2	K3	HPL
p78 x2	b-219-2 x2	B231 x5	014112 x1	012105 x1	011230 x1

ST/INOX		PLYWOOD / HDPE		HPL	
6x	E1	1x	CE3	1x	CL3
1x	E34 (K1, K3)	3x	CE4	3x	CL4
1x	E35 (K2)	1x	CE6	1x	CL6
	E37 (K2, K3)	1x	CE8	1x	CL8
1x	E38 (K2, K3)	1x	CE17	1x	CL17
3x	WD67	1x	CE111	1x	CL111
3x	WD68	1x	CE112	1x	CL112
1x	V001	1x	PS8	1x	PH8
		1x	PS9	1x	PH9
		1x	PS19 ^{S1}	1x	PH19 ^{S1}
		1x	PS41 ^{S6}	1x	PH41 ^{S6}
				1x	PH56

[cm]

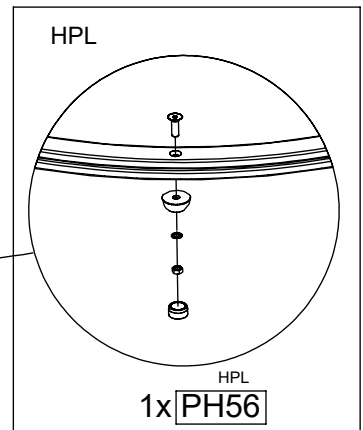






PLYWOOD HPL
1x **PS9** **PH9**

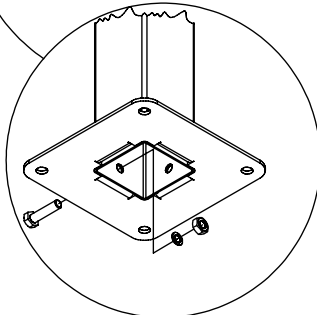
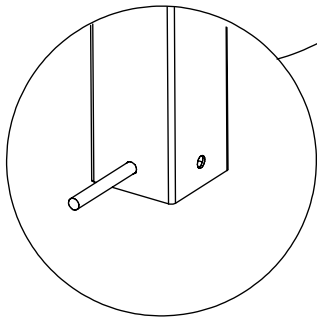
PLYWOOD HPL
1x **PS8** **PH8**



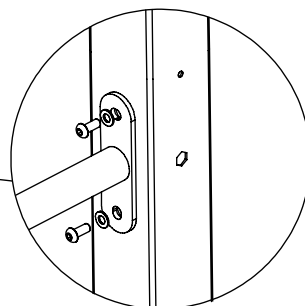
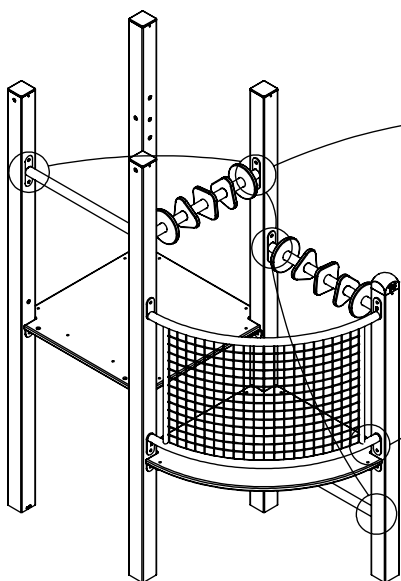
HPL
1x **PH56**

K1

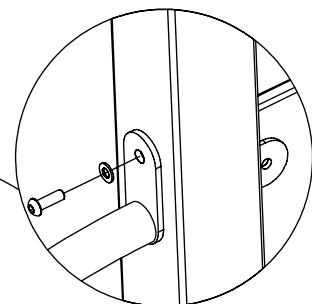
K2,K3



E37



4x **E1**

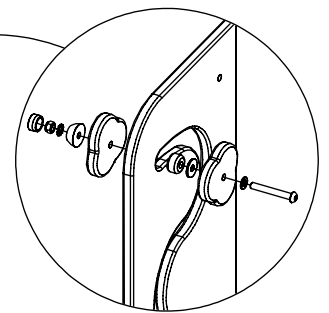
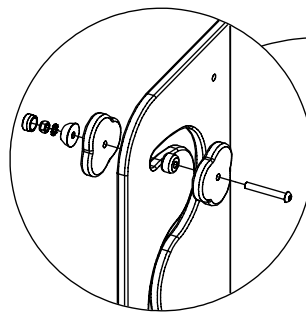
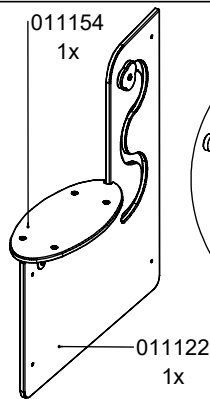
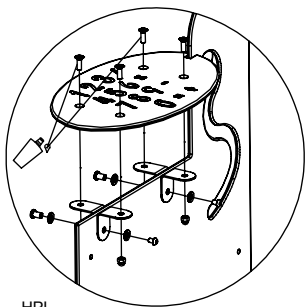
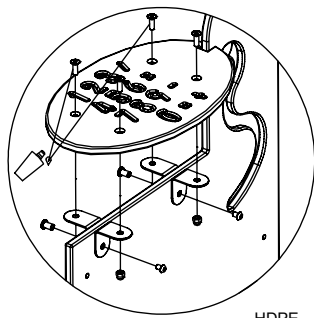


1x **E1**

[cm]



vinci
play



1x

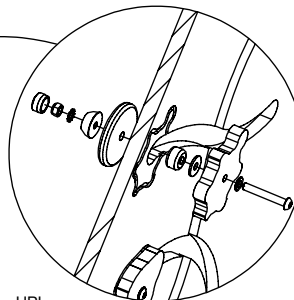
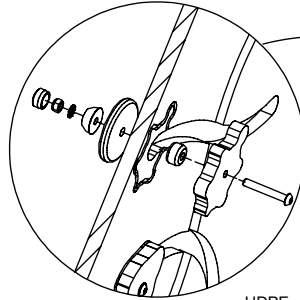
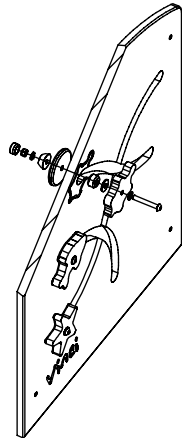
HDPE	CE6
------	-----

HPL	CL6
-----	-----

1x

HDPE	CE17
------	------

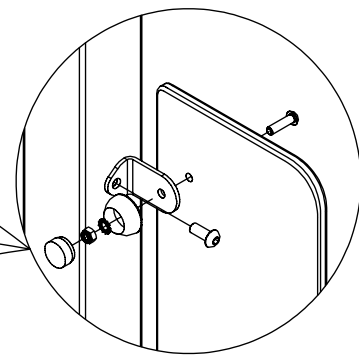
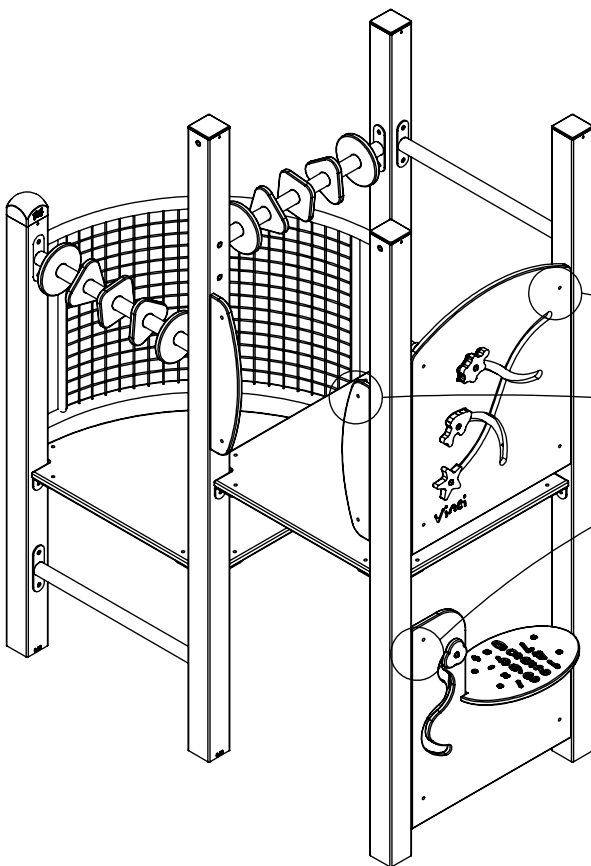
HPL	CL17
-----	------



1x

HDPE	CE8
------	-----

HPL	CL8
-----	-----



3x

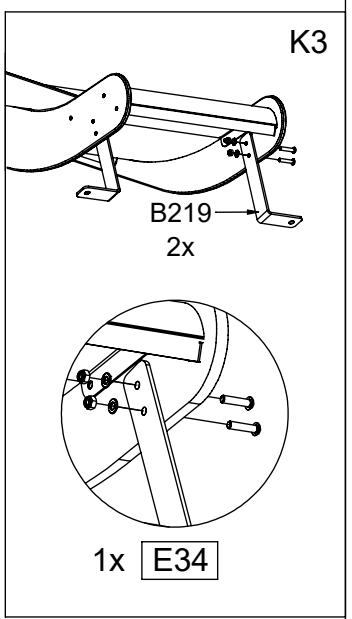
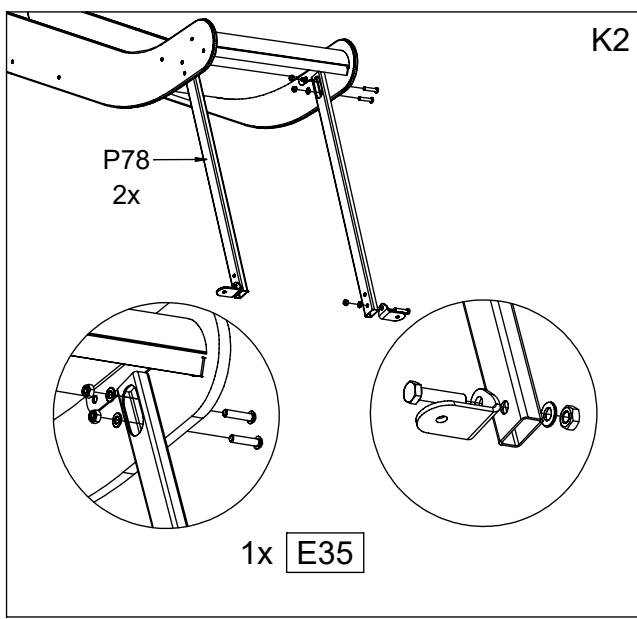
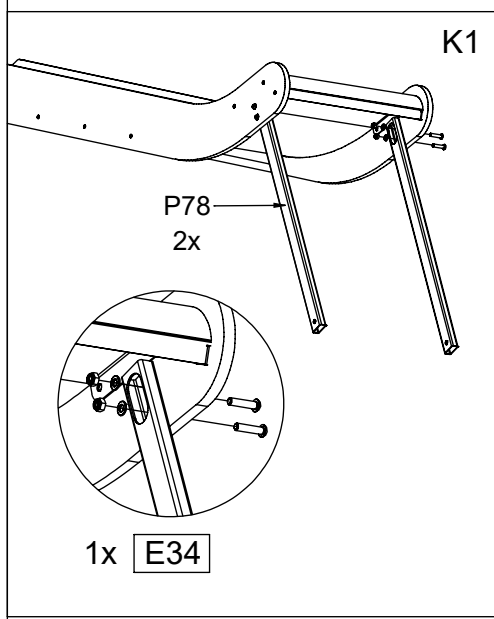
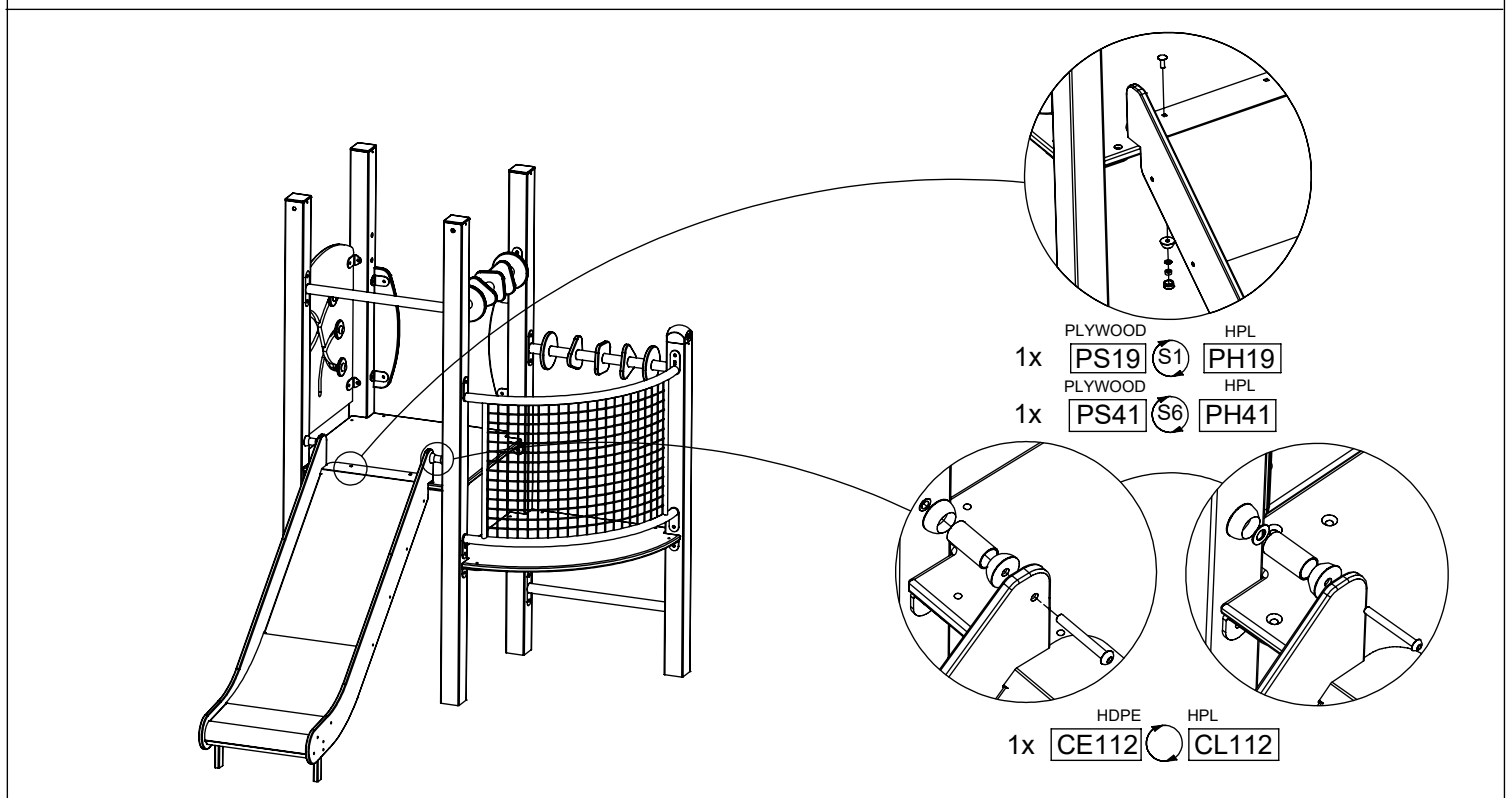
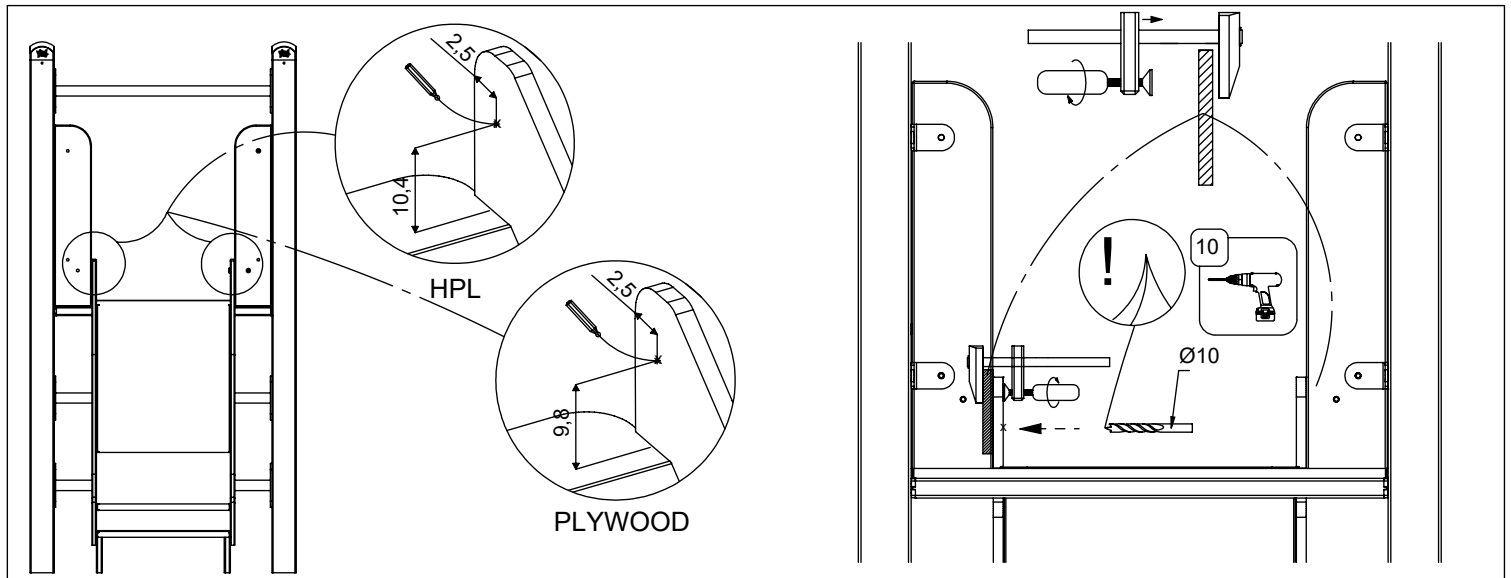
HDPE	CE4
------	-----

HPL	CL4
-----	-----

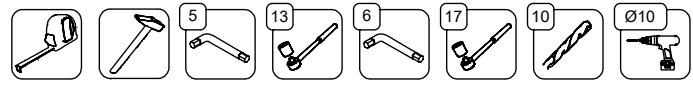
[cm]



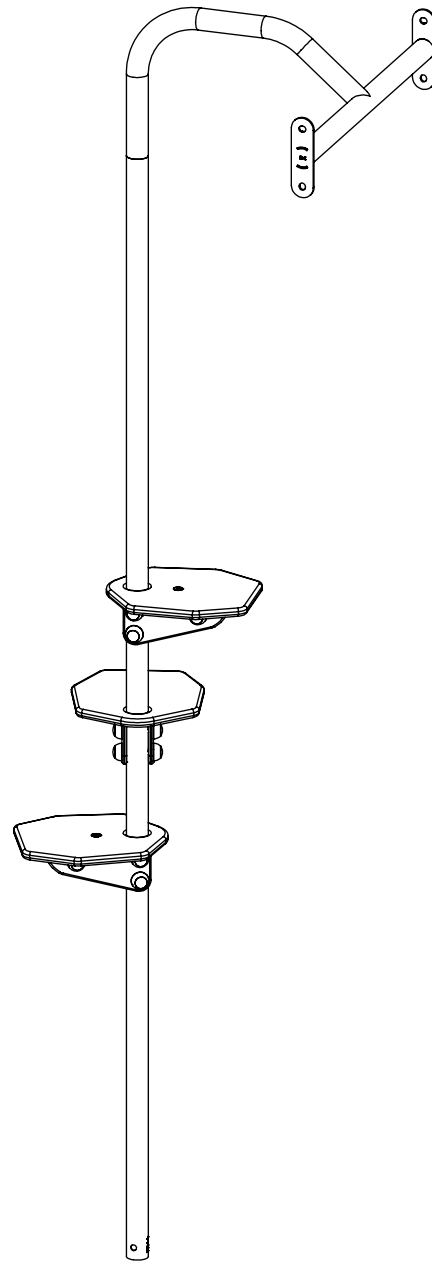
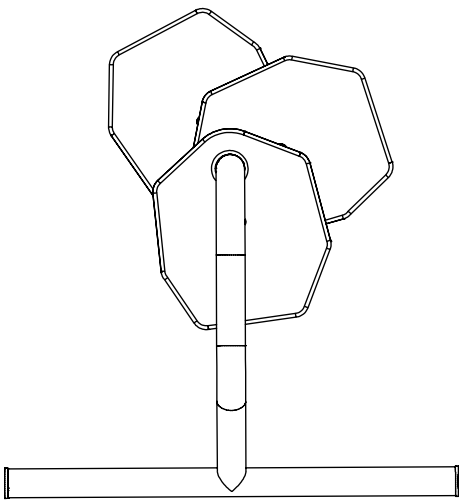
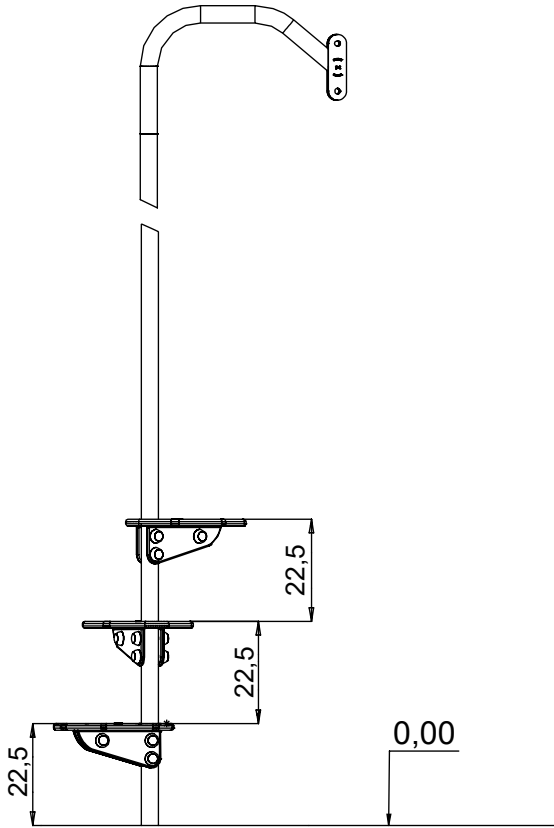
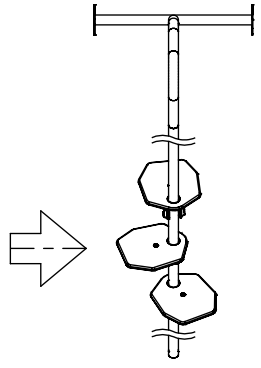
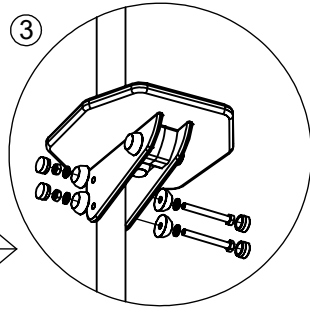
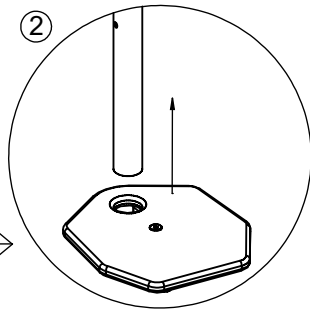
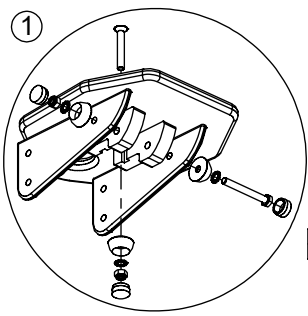
vinci play



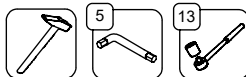
[cm]



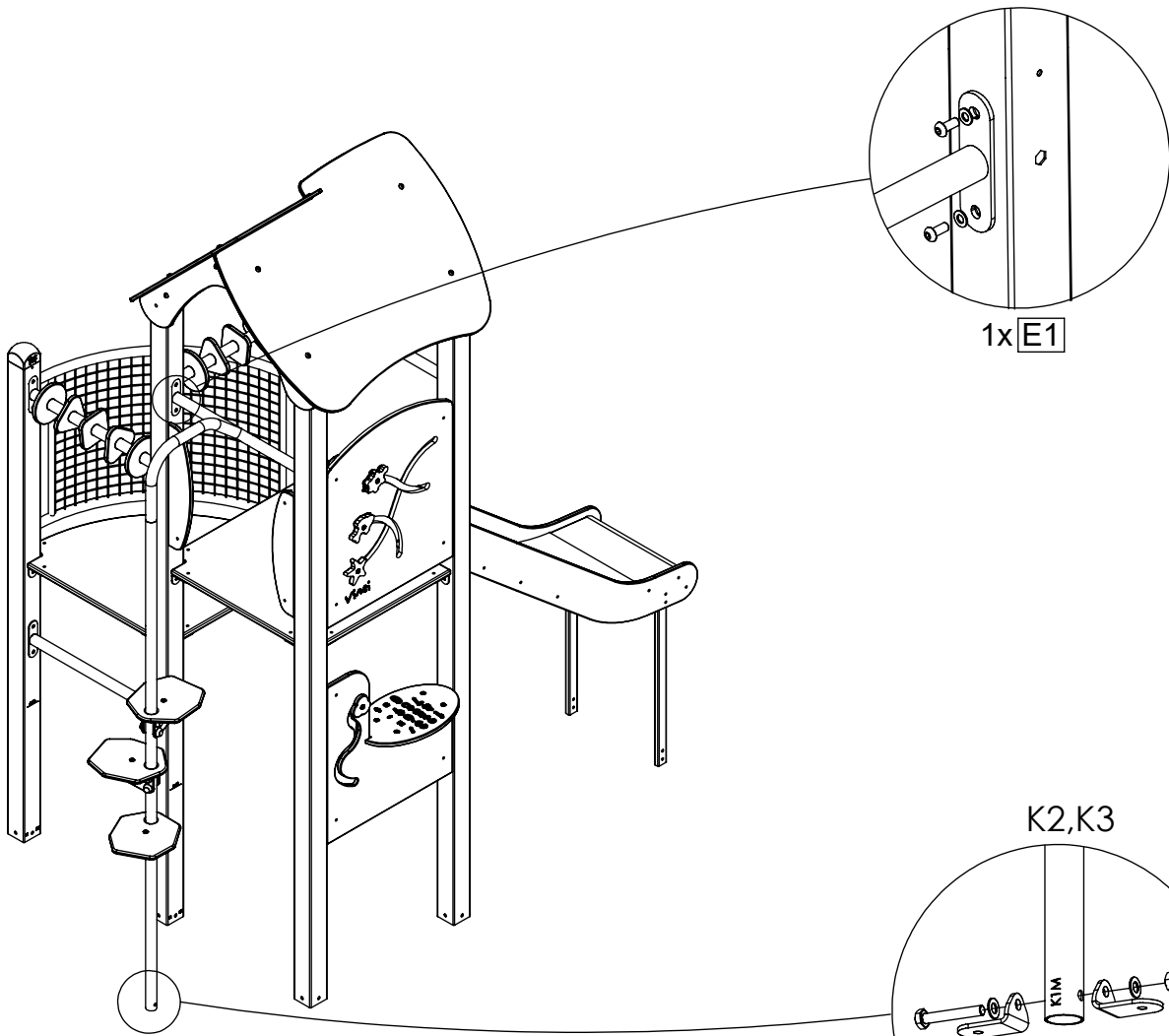
vinci
play



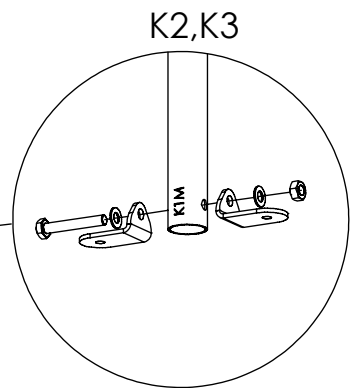
[cm]



vinci
play

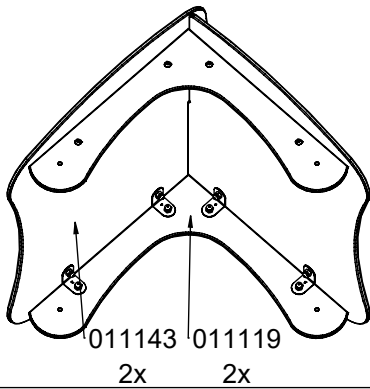


1x E1

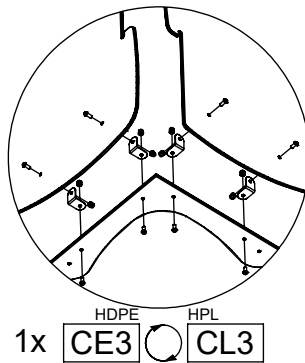


K2, K3

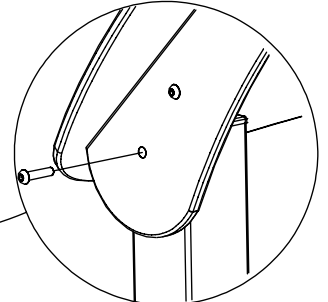
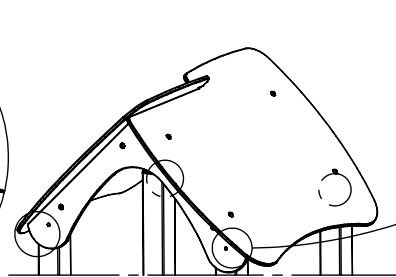
1 x E38



011143 011119
2x 2x



HDPE HPL
1x CE3 CL3

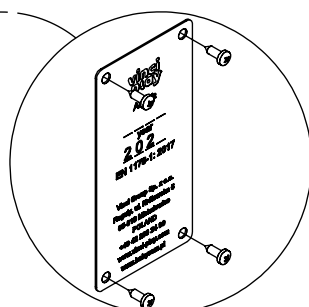
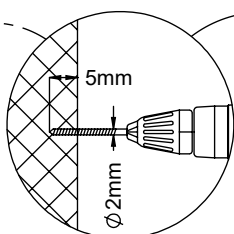
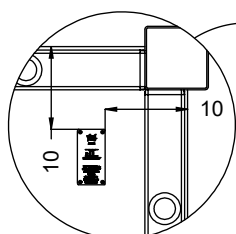
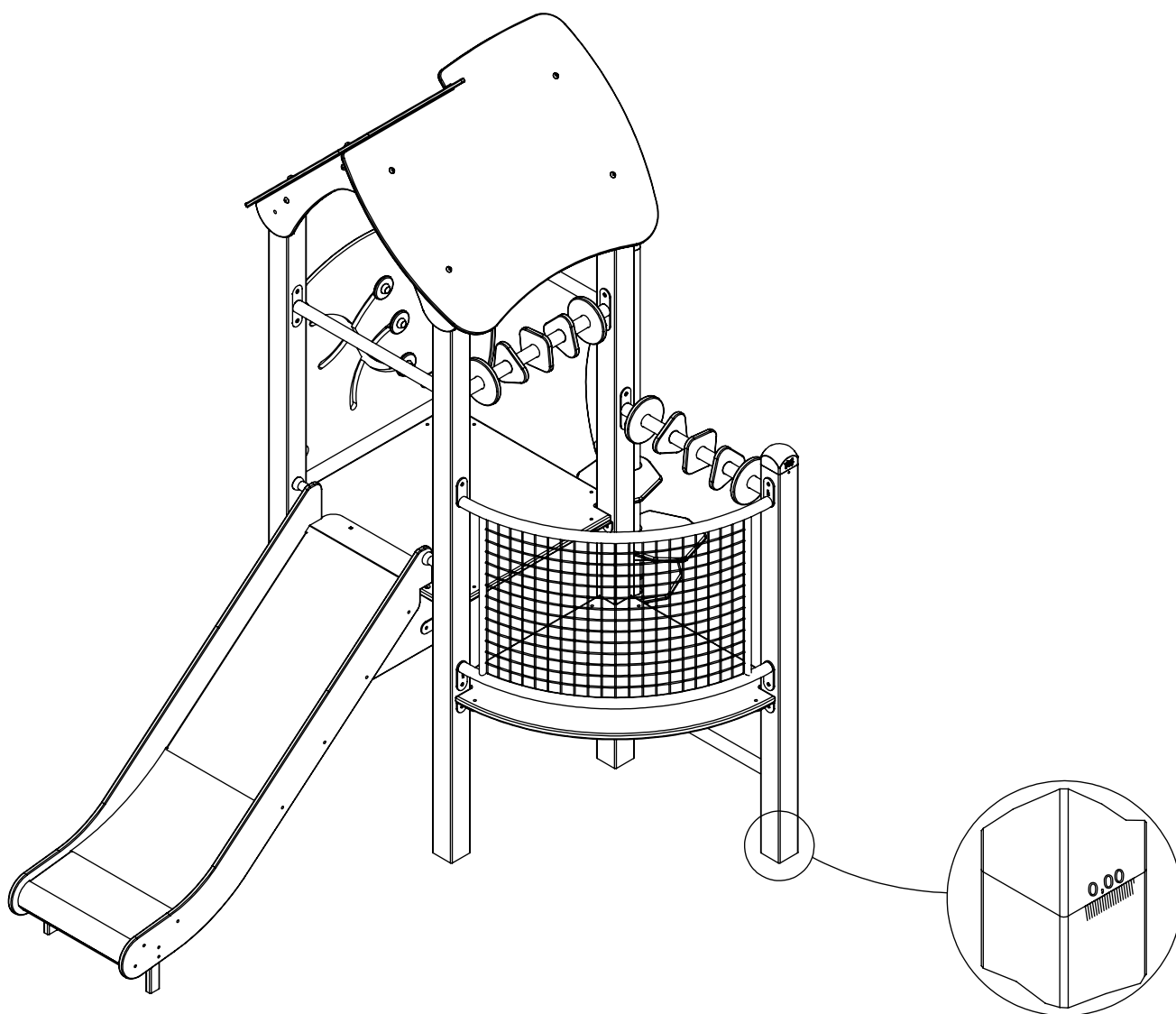


HDPE HPL
1x CE111 CL111

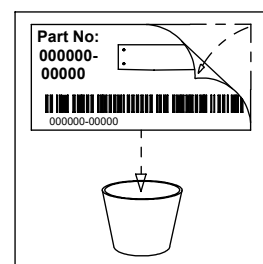
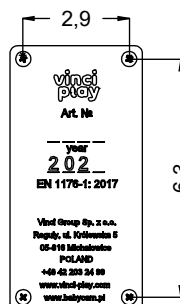
[cm]



vinci
play



V001



[cm]



vinci
play