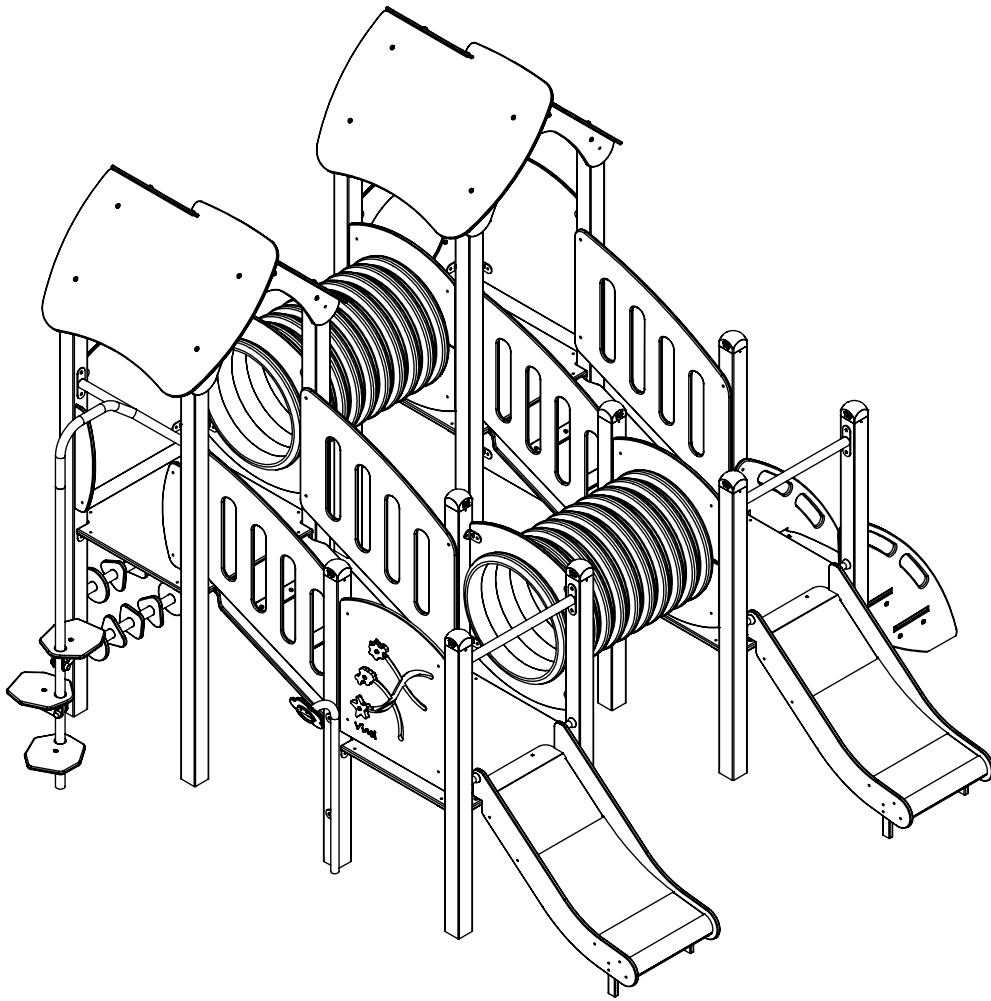
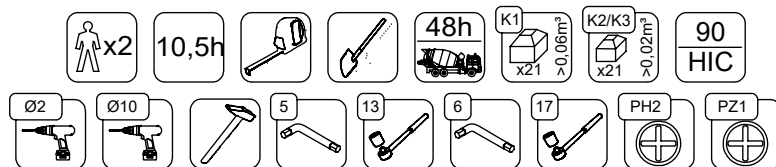


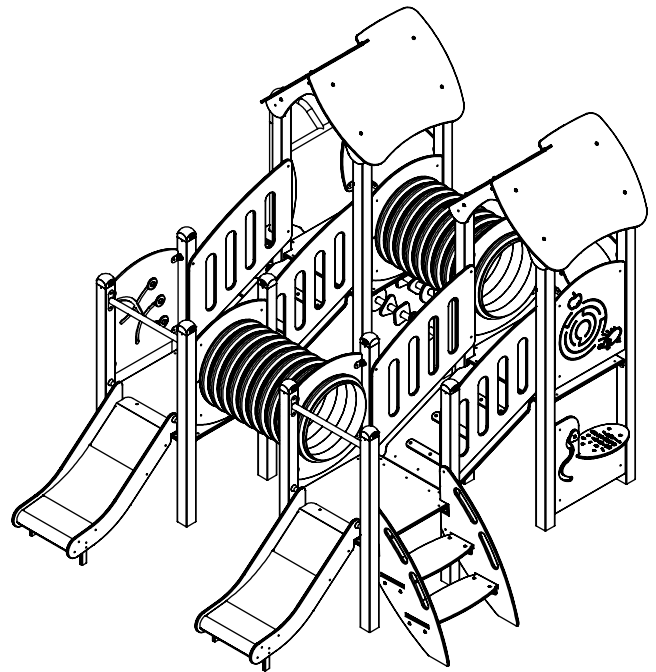
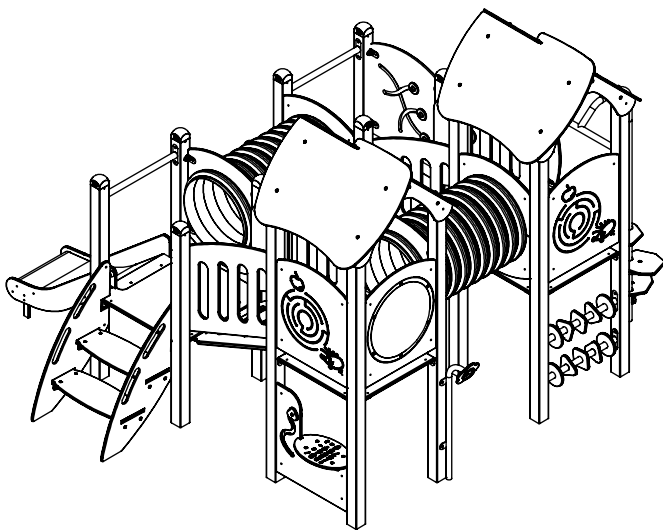
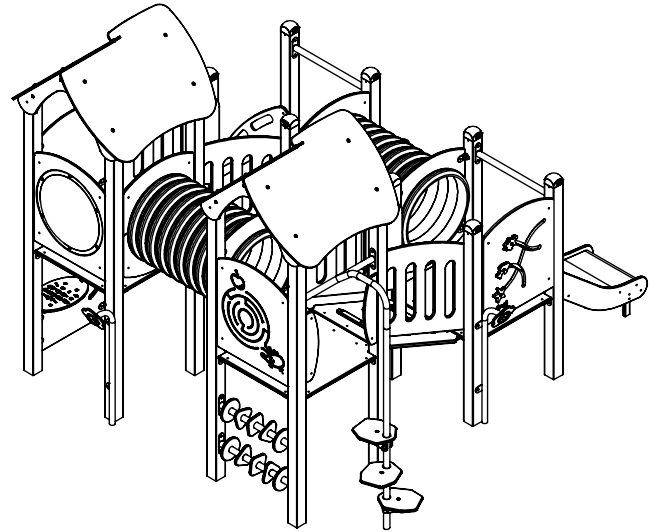
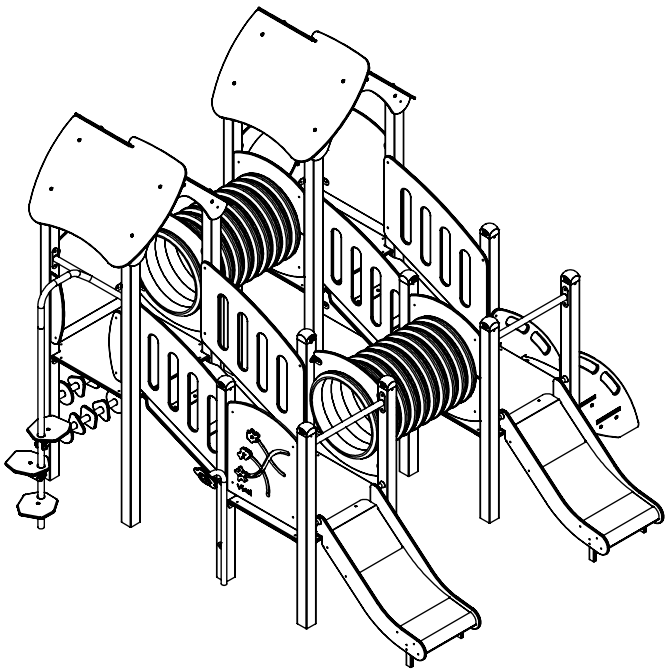
0114



v012
13.05.2021
A. P.
[cm]

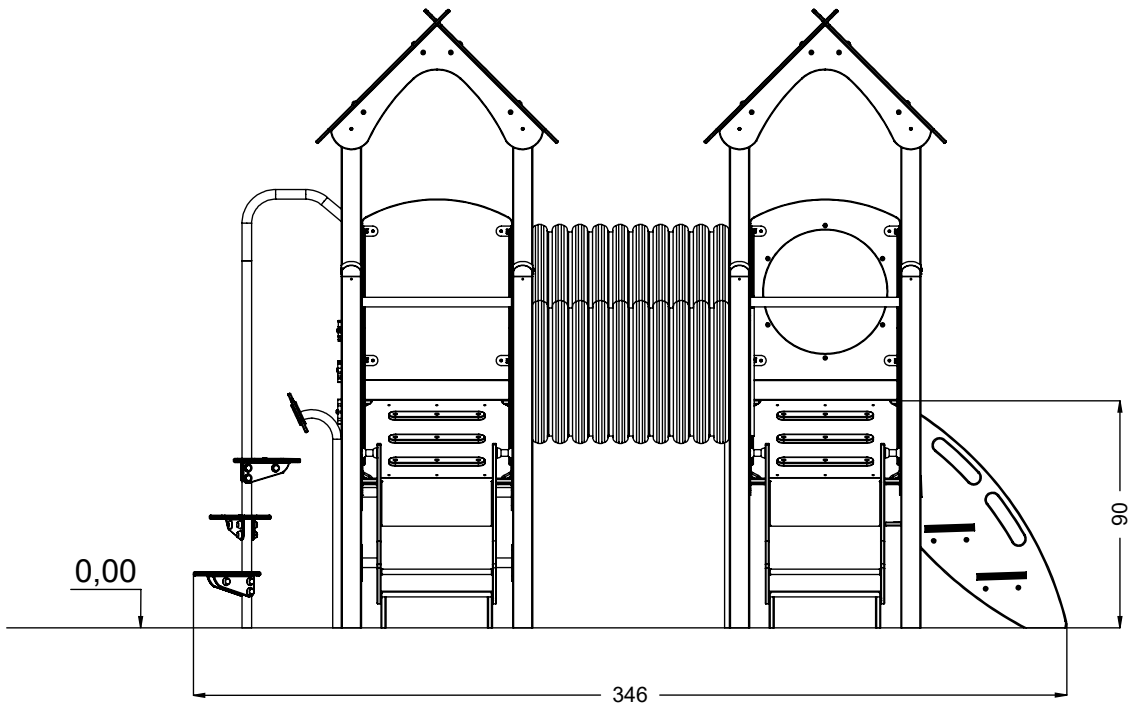
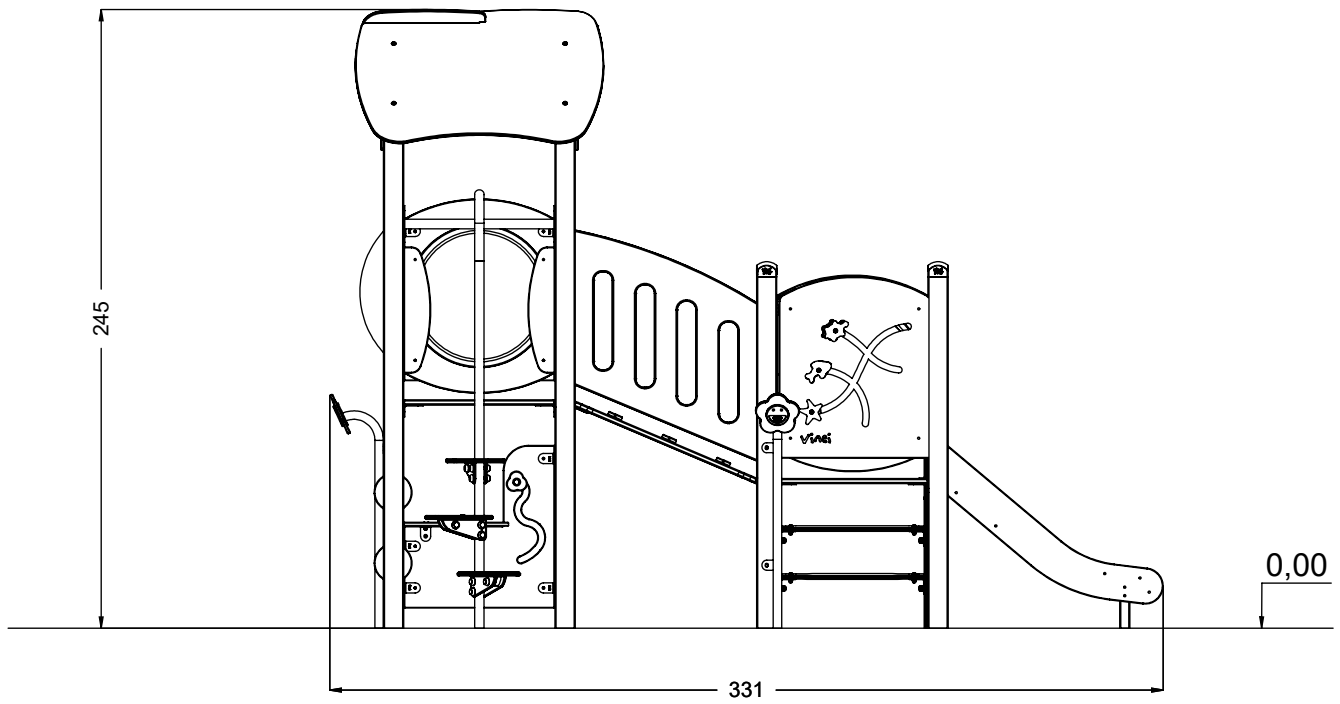


vinci
play



[cm]

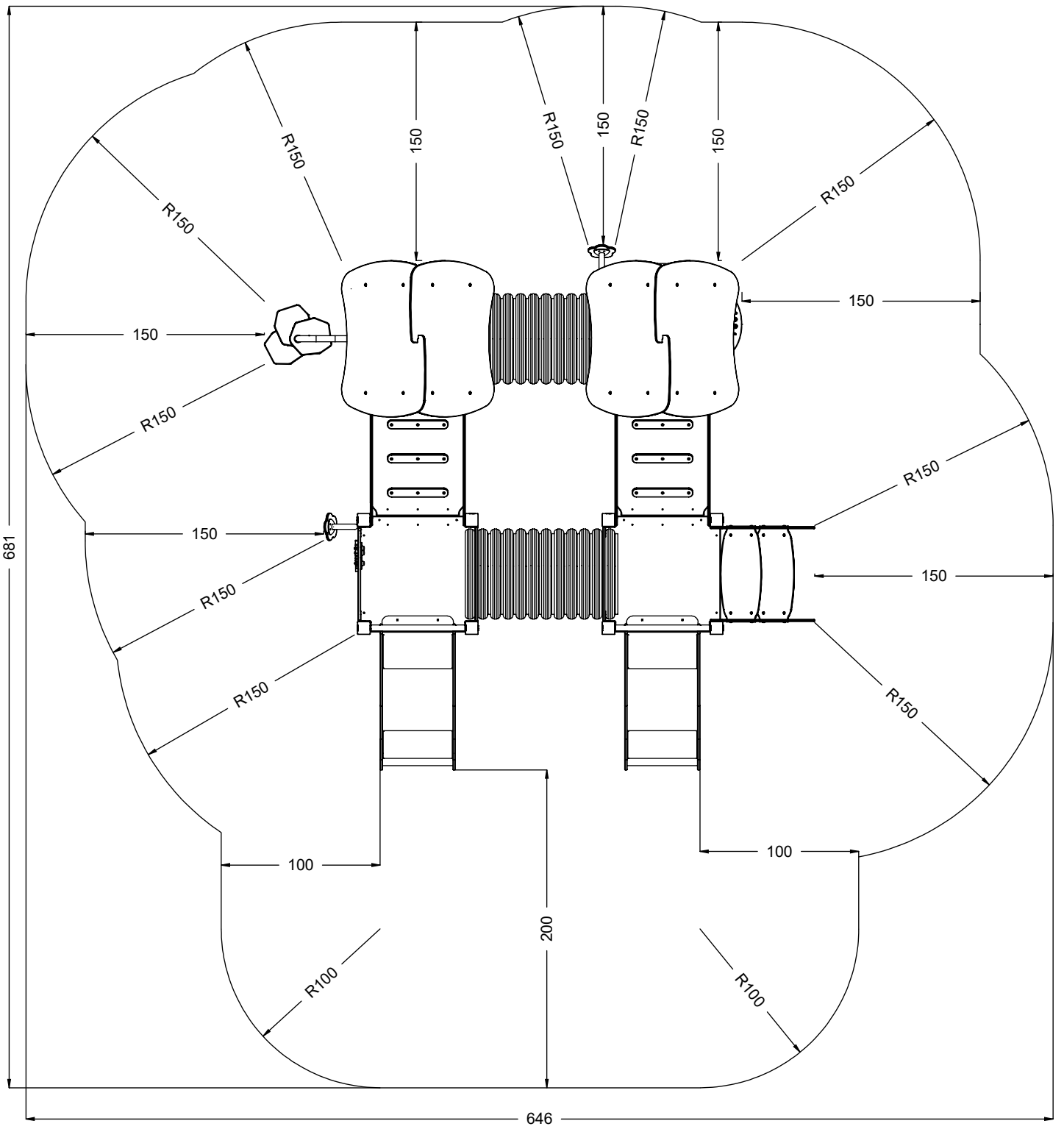
vinci
play



[cm]



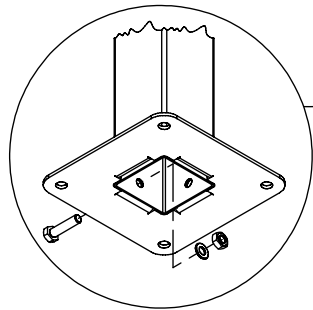
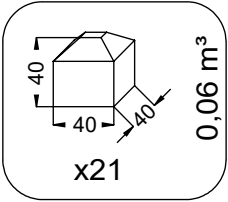
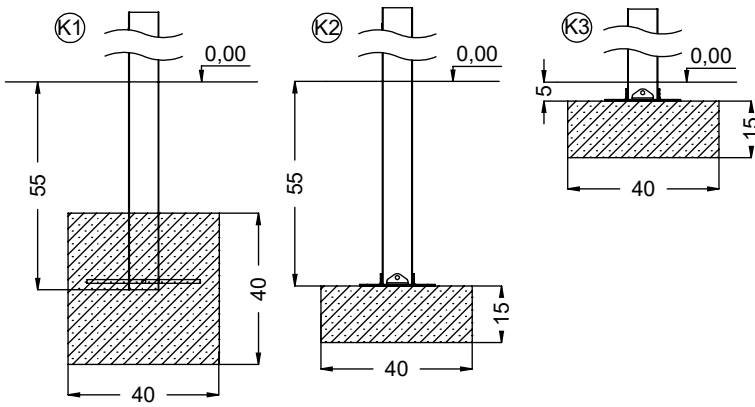
vinci
play



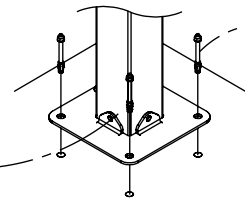
[cm]



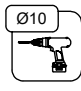





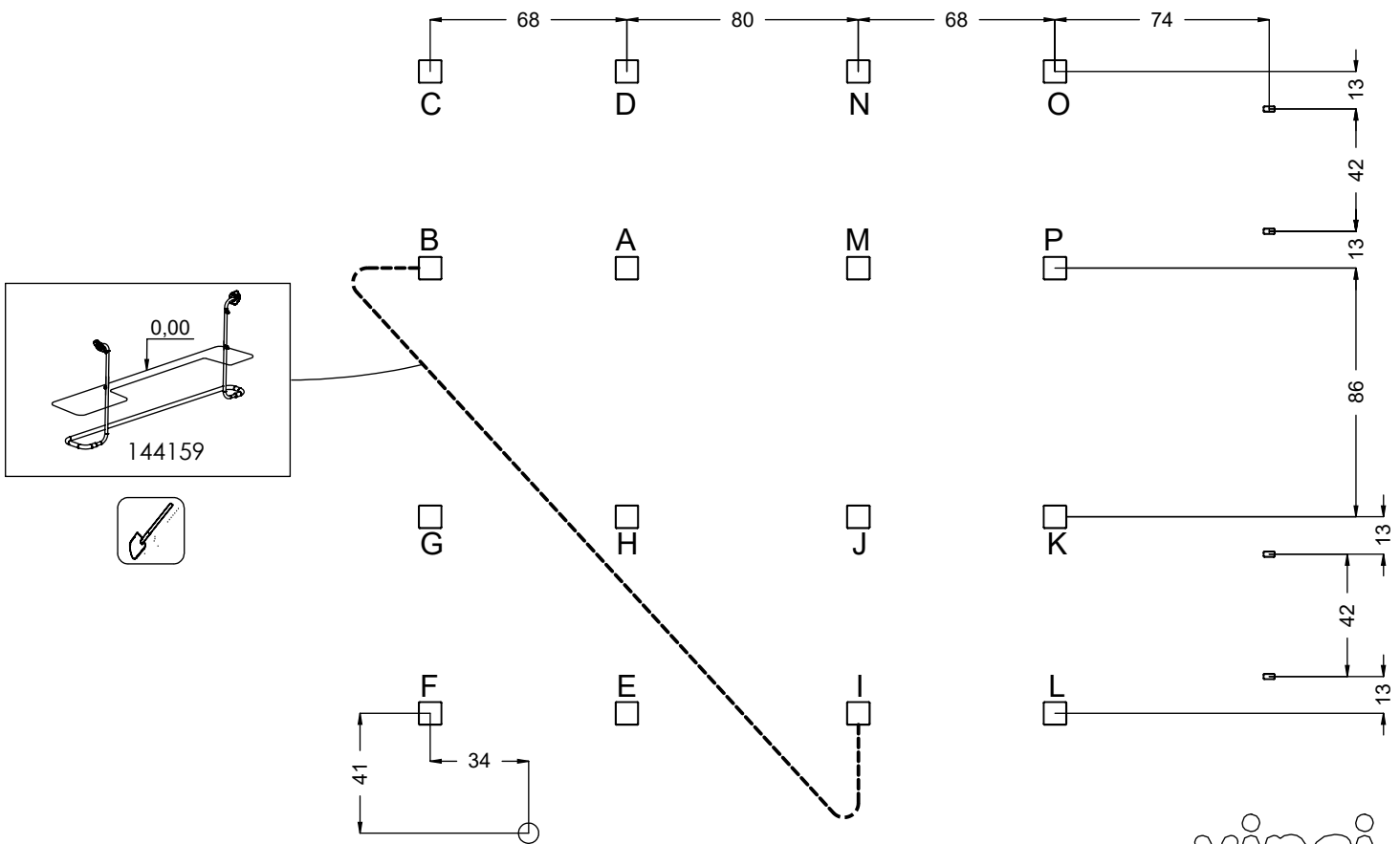
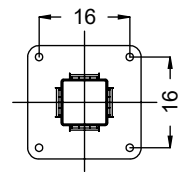
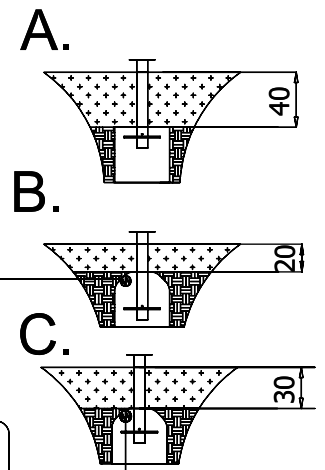
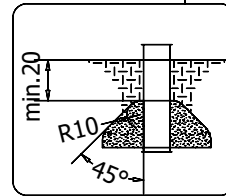
vinci
play



E37



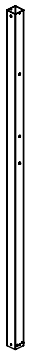
64x M10x120 (K2)	6x M8x120 (K2)
68x M10x120 (K3)	2x M8x120 (K3)
	
	
NOT INCLUDED 	NOT INCLUDED 



[cm]

 x2	10,5h			48h 	K1  x21 >0,06m³	K2/K3  x21 >0,02m³
--	-------	---	---	---	--	--

vinci play



114A
x1



114B
x1



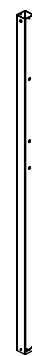
114C
x1



114D
x1



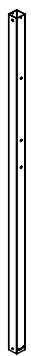
114E
x1



114F
x1



114G
x1



114H
x1



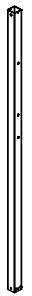
114I
x1



114J
x1



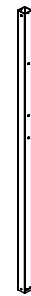
114K
x1



114L
x1



114M
x1



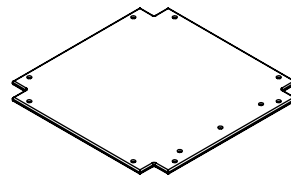
114N
x1



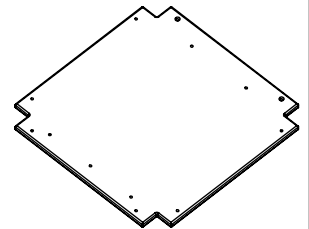
114O
x1



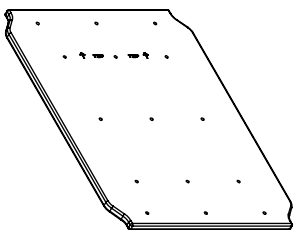
114P
x1



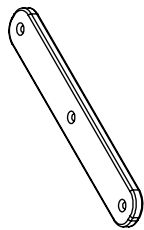
011229
x2



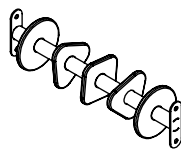
011238
x2



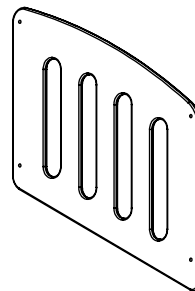
011251
x2



011114
x6



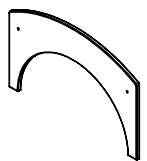
014107
x2



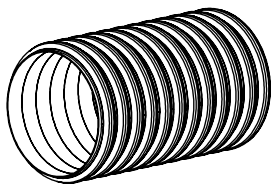
011133
x4



011101
x2



011150
x8



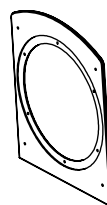
996132
x2



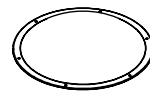
991127
x3



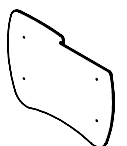
011111
x1



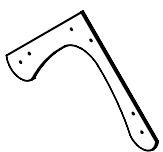
011109
x1



996184
x1



011143
x4



011119
x4



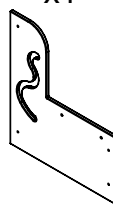
011142
x2



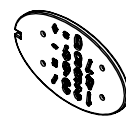
011129
x2



011126
x2



011122
x1



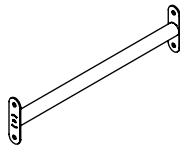
011154
x1



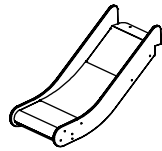
142121
x2



996115
x1

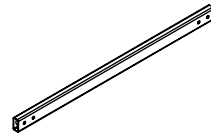


012101
x2



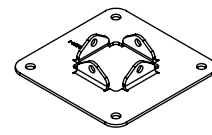
994146
x2

K1,K2



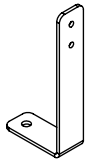
p78
x4

K2,K3



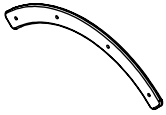
b231
x16

K3



b19-2
x4

HPL



991241
x8

K1,K2



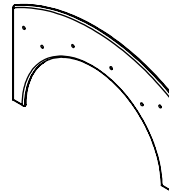
012104
x1

K3



012105
x1

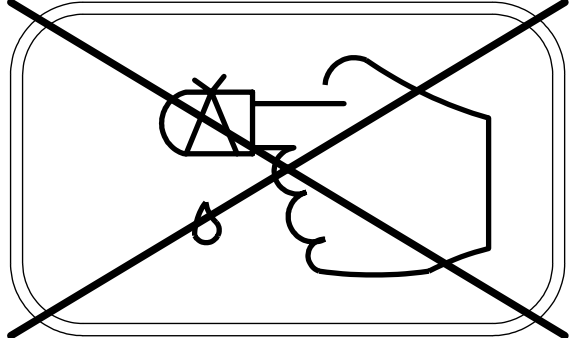
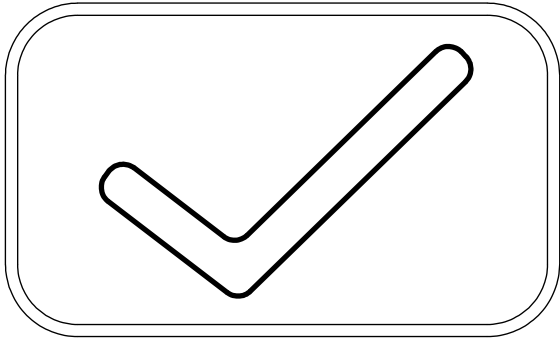
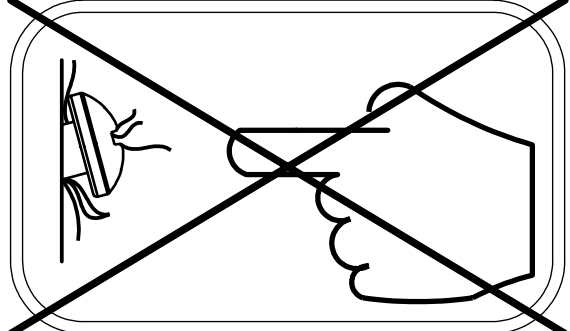
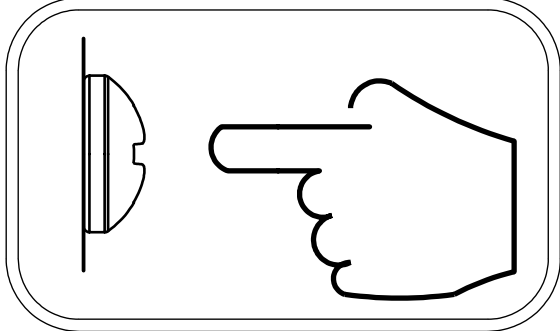
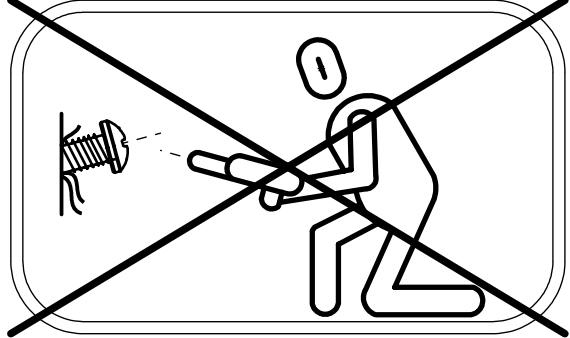
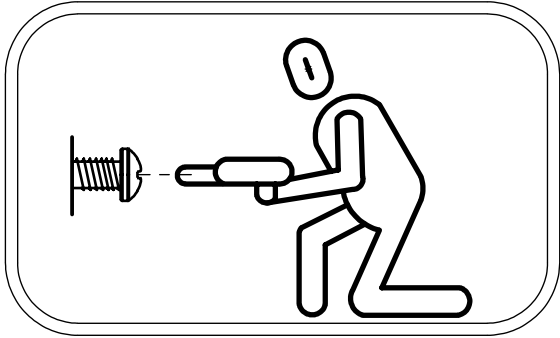
HPL

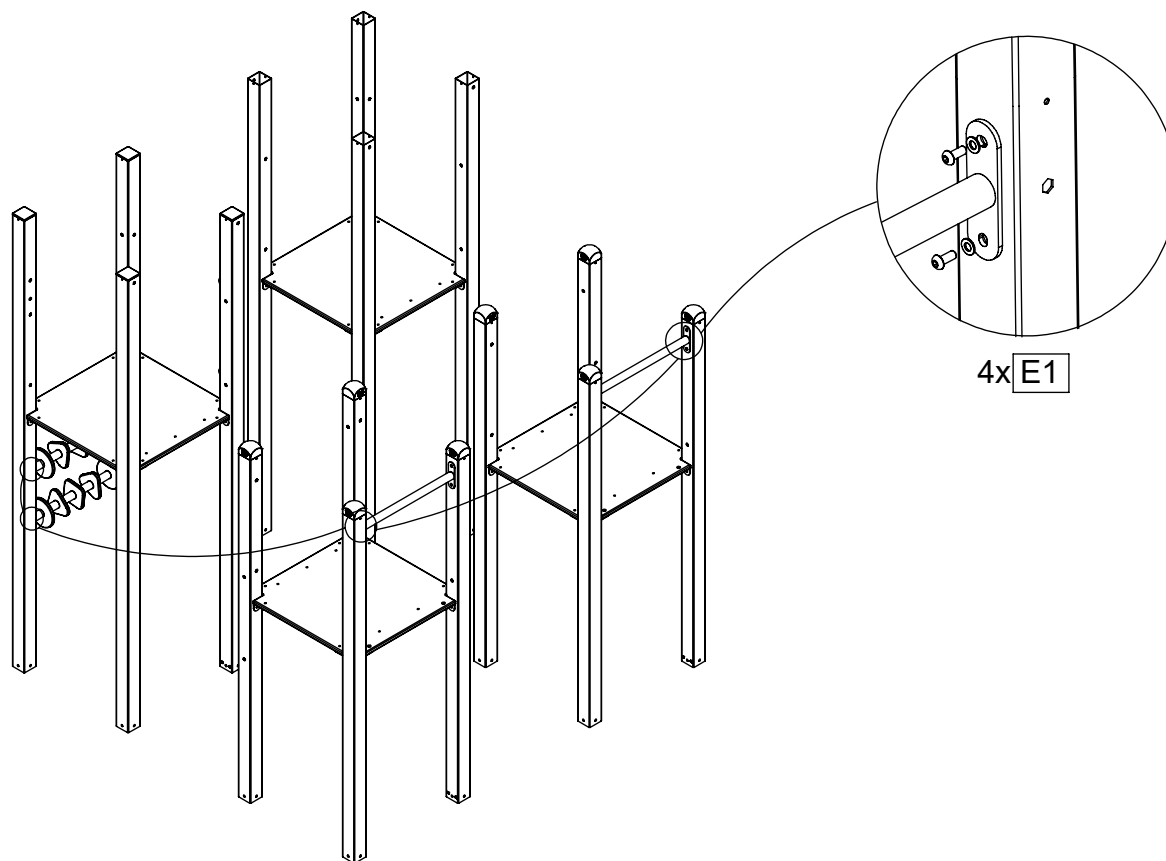
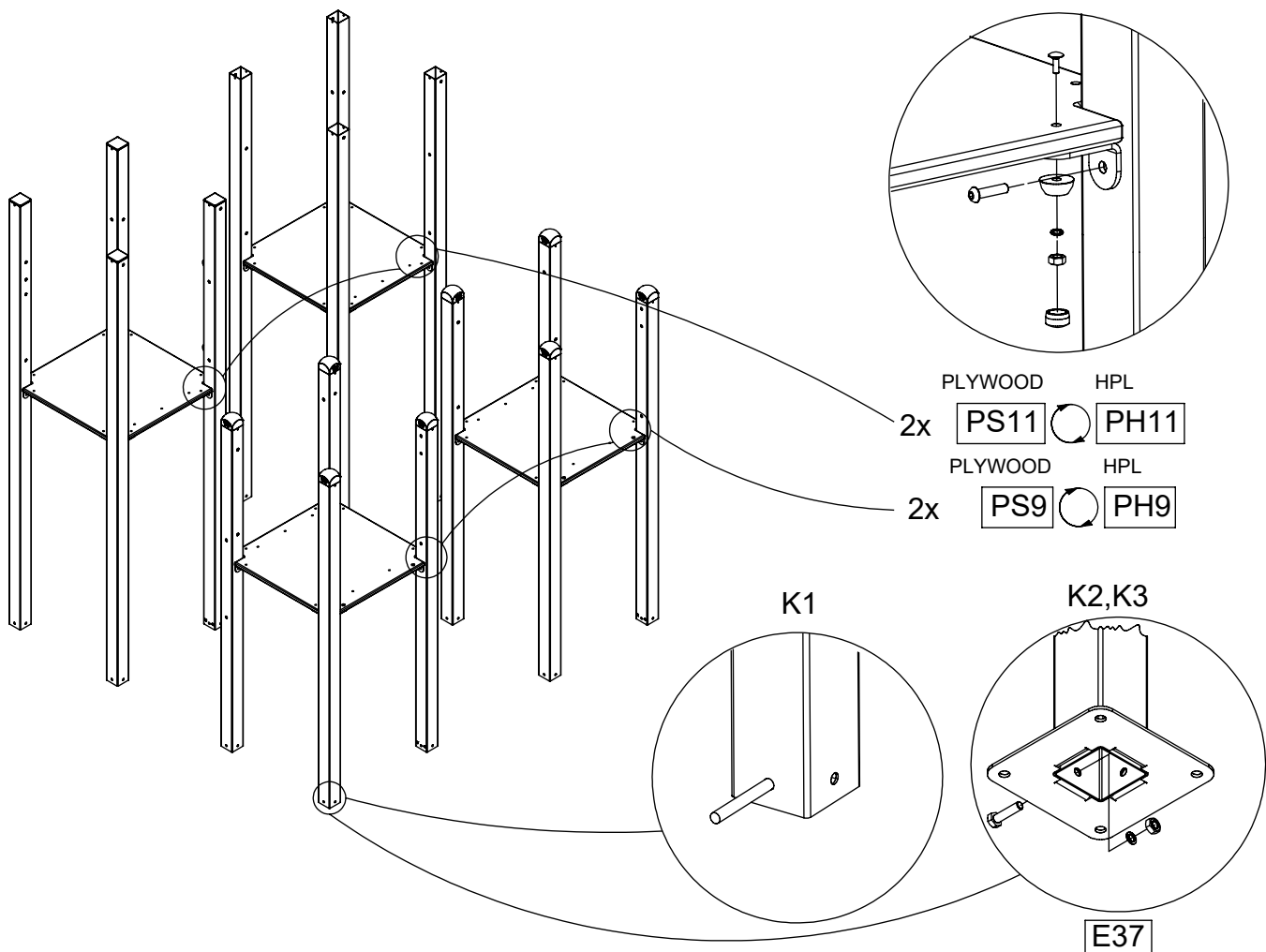


011280
x8

	HDPE	HPL	ST/INOX
3x	CE1	CL1	
2x	CE3	CL3	
7x	CE4	CL4	
1x	CE6	CL6	
1x	CE7	CL7	
1x	CE8	CL8	
1x	CE9	CL9	
1x	CE17	CL17	
2x	CE93	CL93	
2x	CE111	CL111	
2x	CE112	CL112	
5x			E1
2x			E14
2x			E34 ^{K1,K3}
2x			E35 ^{K2}
			E37 ^{K2,K3}
1x			E38 ^{K2,K3}
4x		E130	
3x			WD67
3x			WD68
1x			Z15
1x			V001

	PLYWOOD	HPL
2x	PS9	PH9
2x	PS11	PH11
2x	PS12	PH12
2x	PS19 ^{S1}	PH19 ^{S1}
2x	PS41 ^{S6}	PH41 ^{S6}

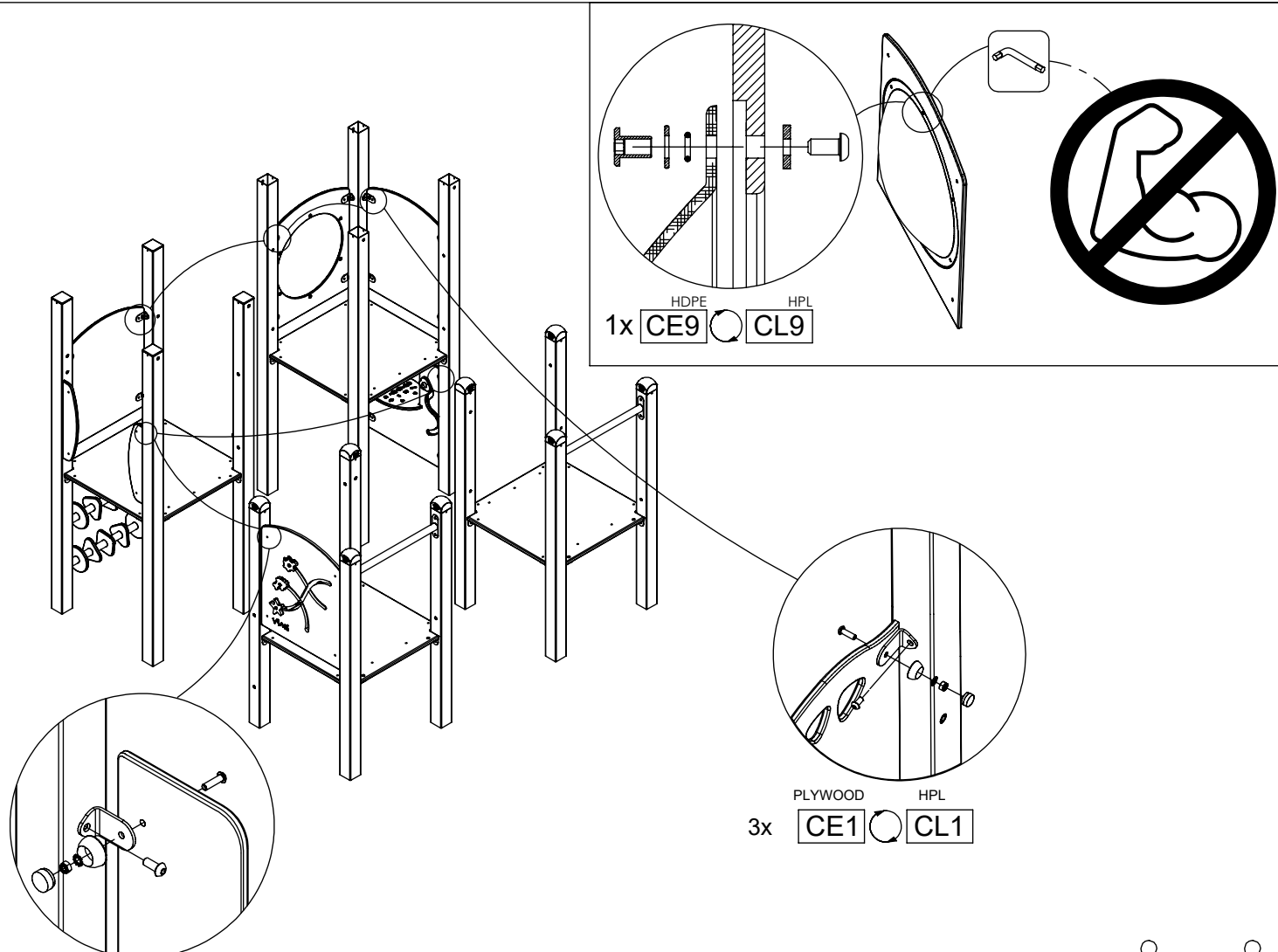
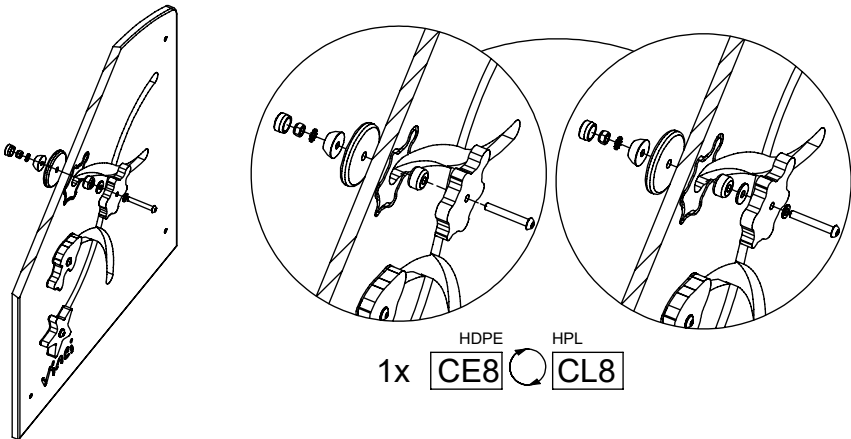
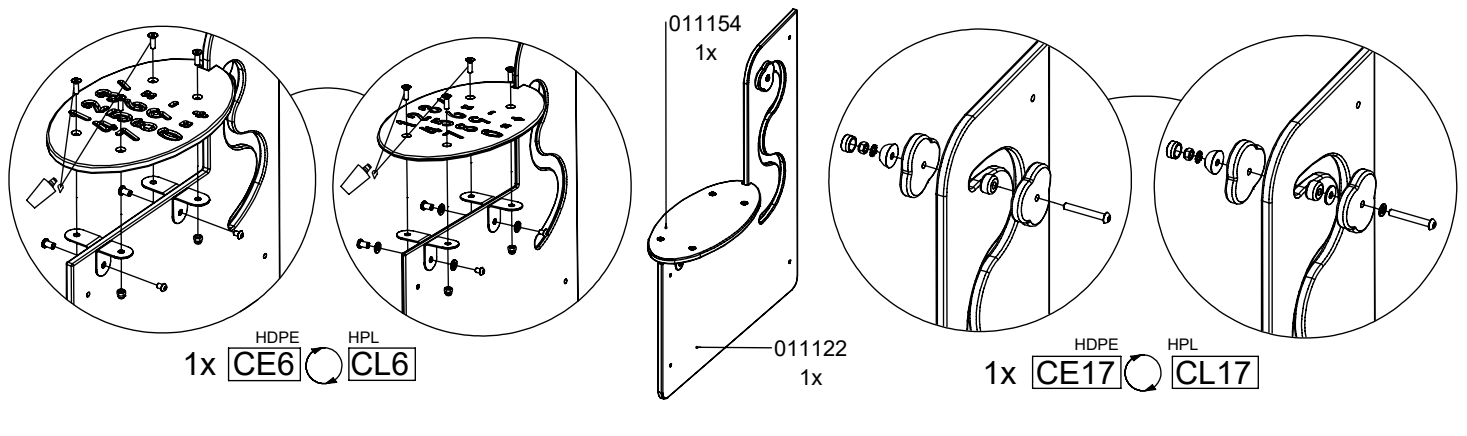




[cm]



vinci
play



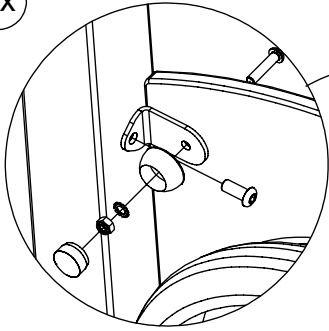
3x HDPE CE4 HPL CL4

[cm]



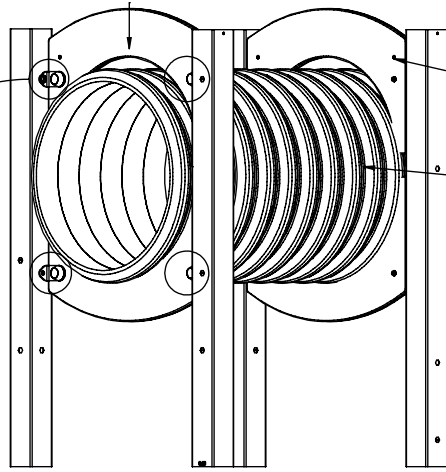
vinci
play

2x

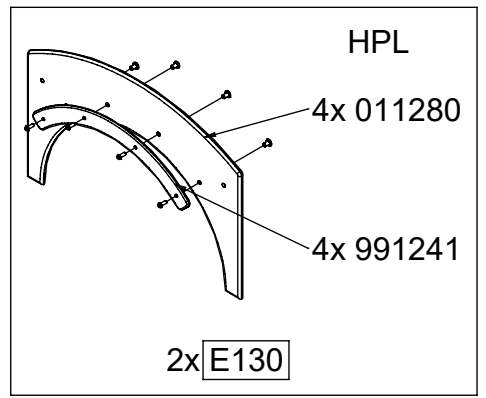


HDPE HPL

2x **CE4** **CL4**



011150
4x
996132

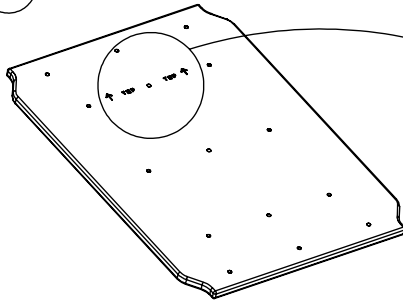


HPL

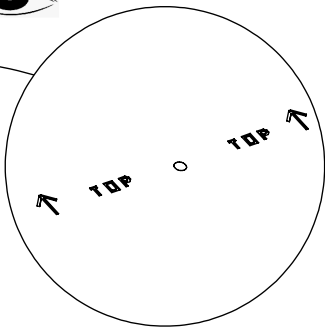
4x 011280
4x 991241

2x **E130**

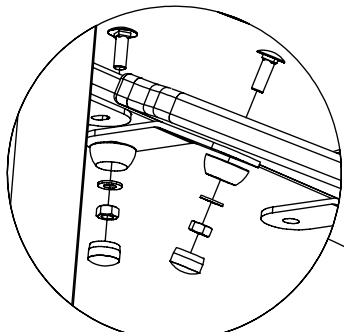
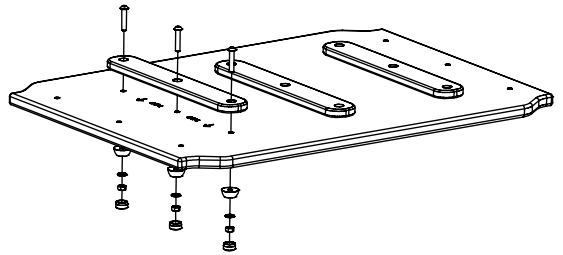
2x



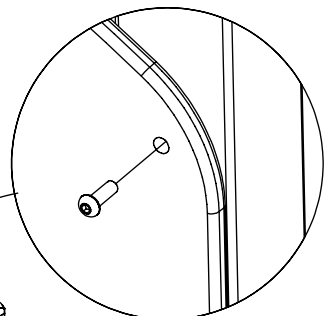
PLYWOOD
PS12



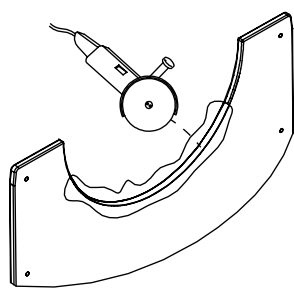
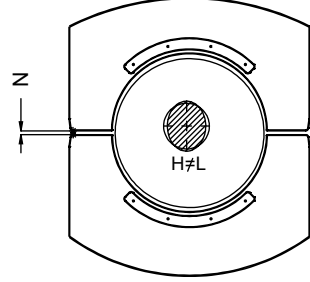
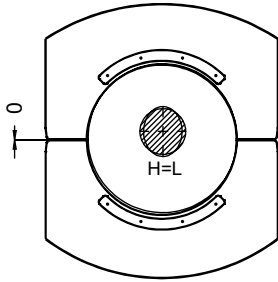
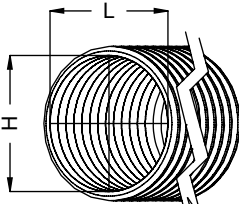
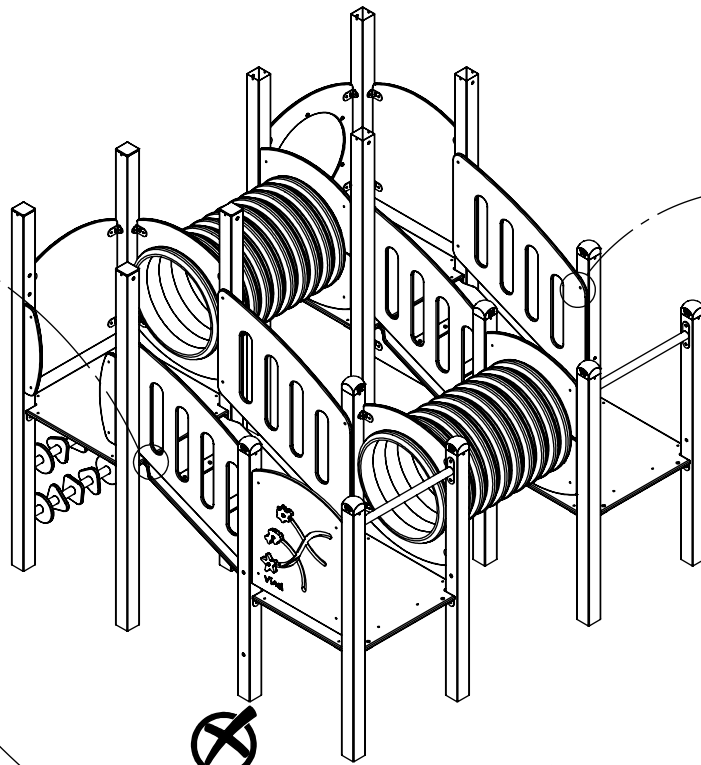
HPL
PH12



PLYWOOD HPL
2x **PS12** **PH12**



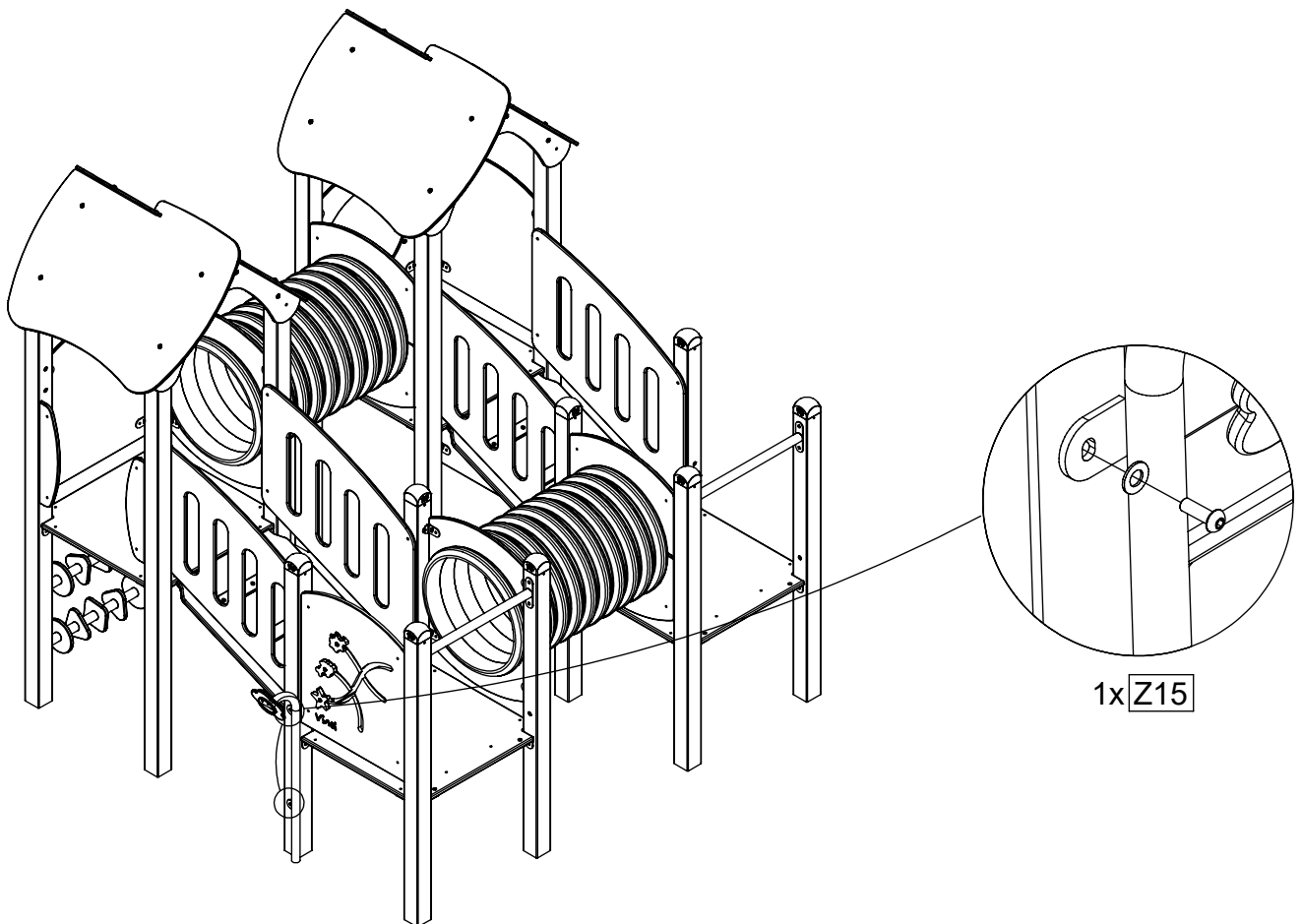
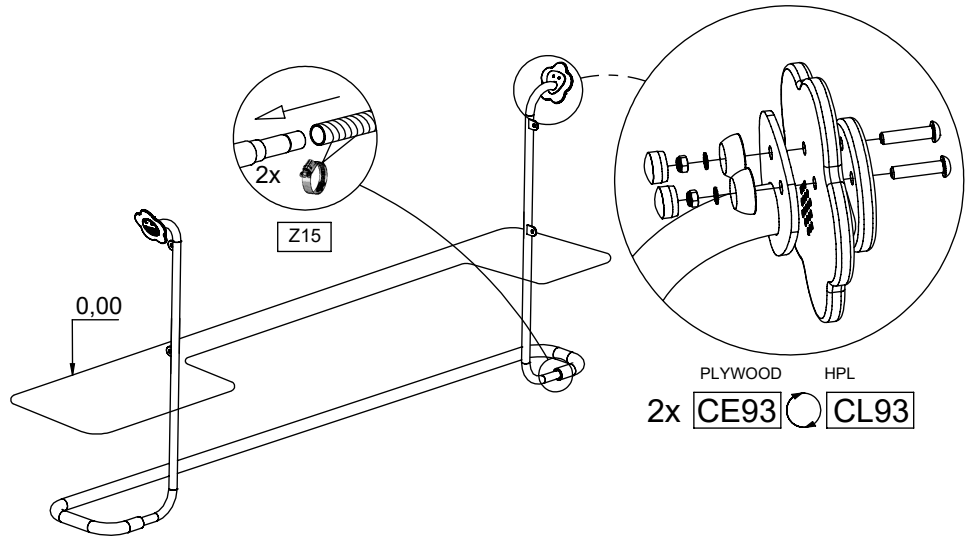
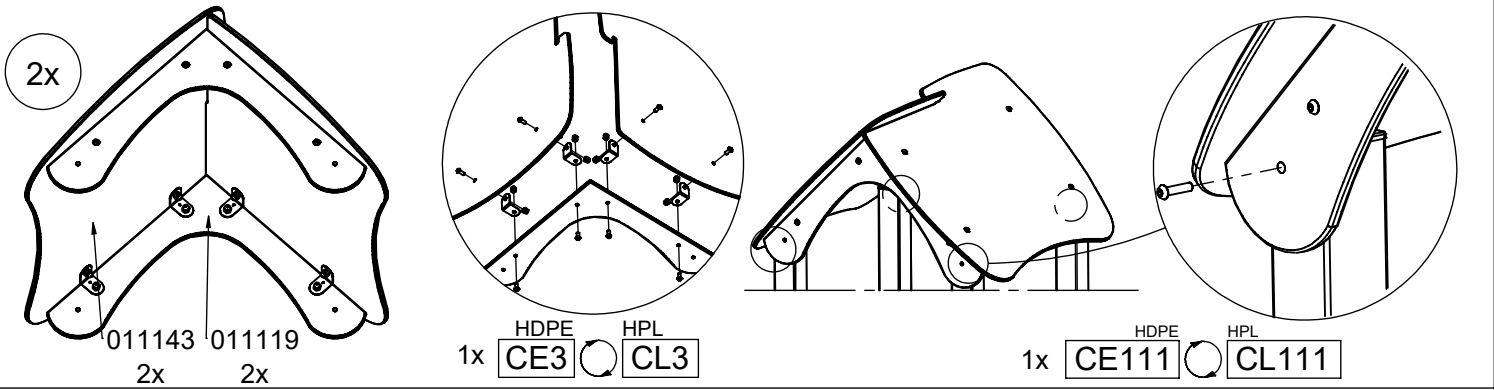
2x **E14**



[cm]



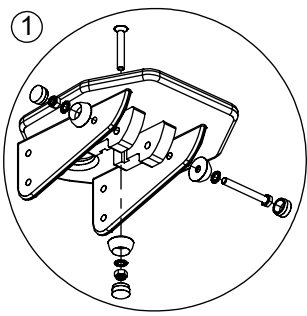
vinci
play



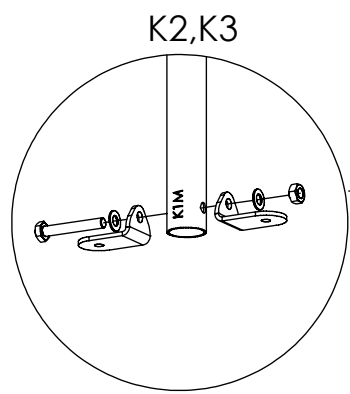
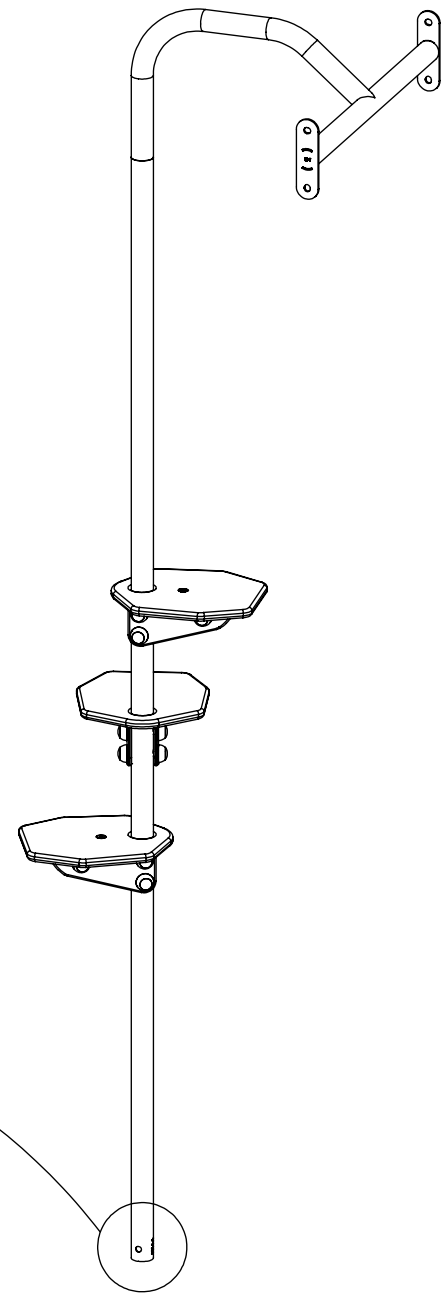
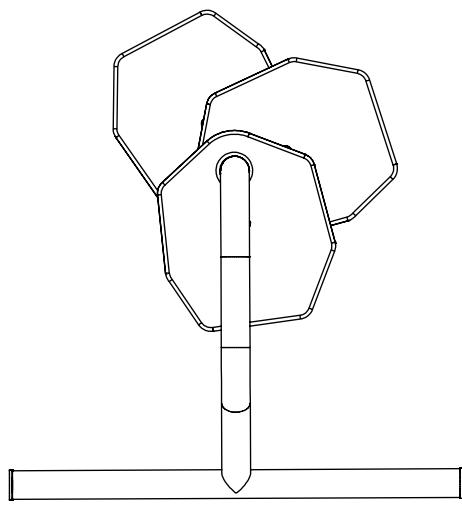
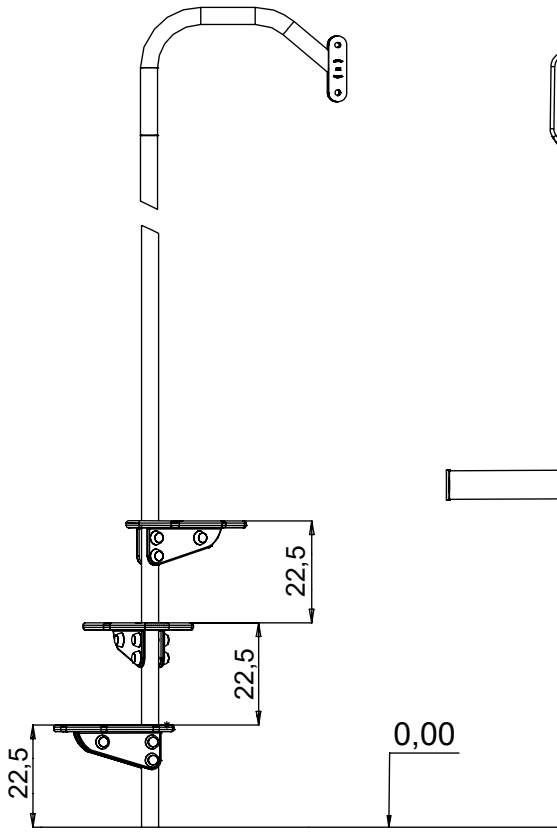
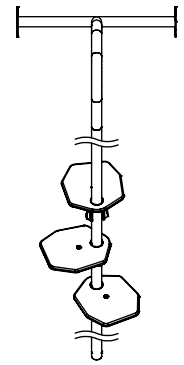
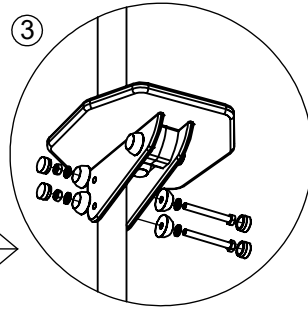
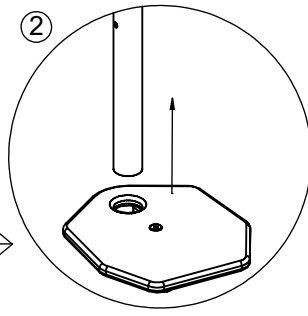
[cm]



vinci
play

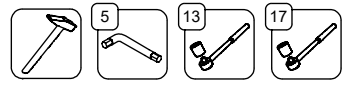


WD67 WD68

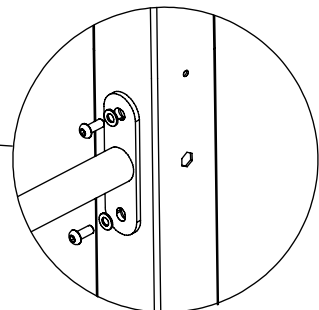
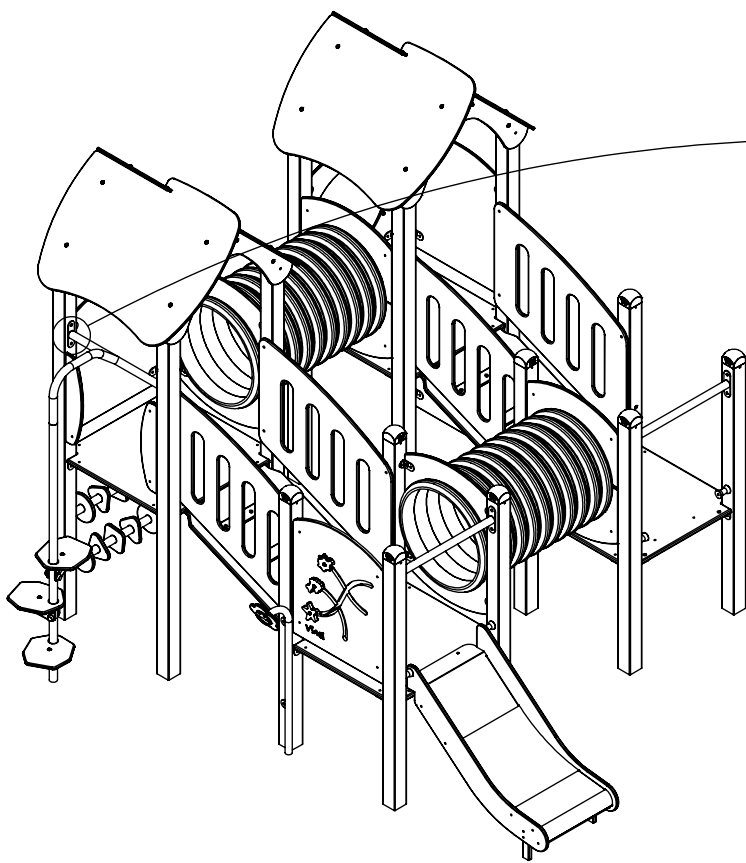


1 x E38

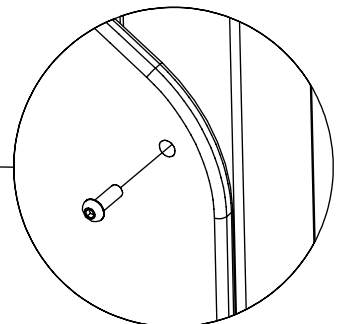
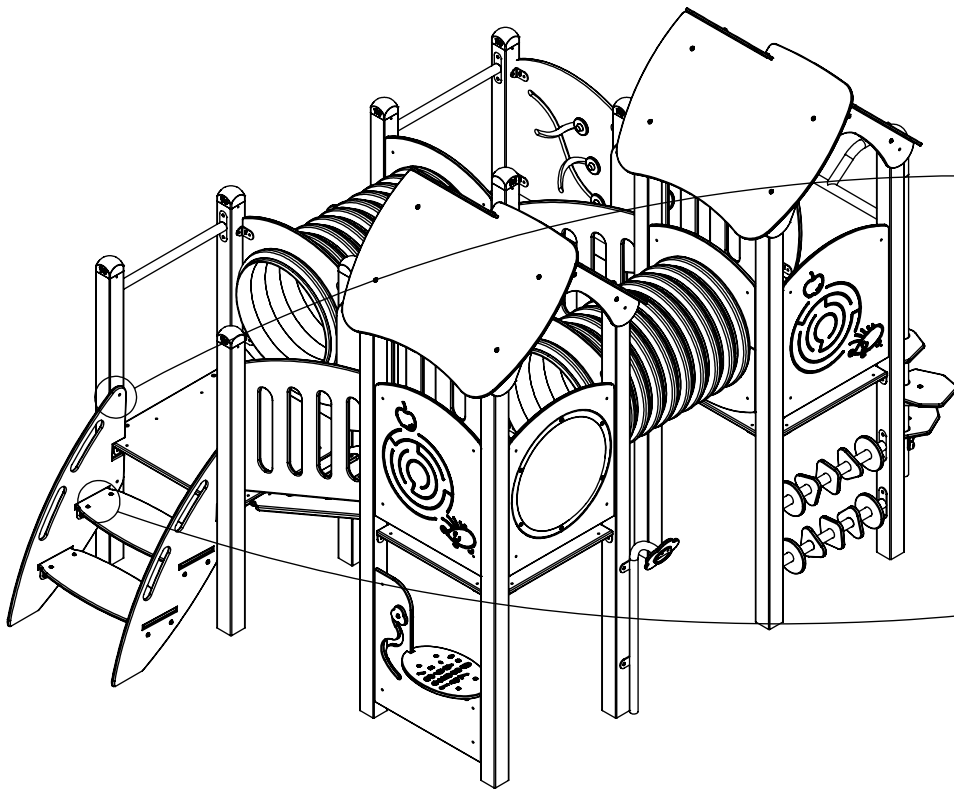
[cm]



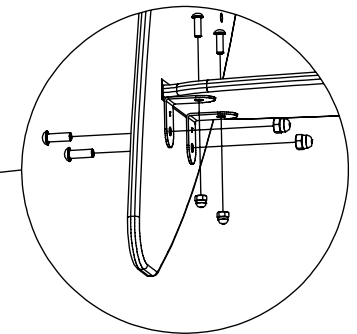
vinci play



1x E1



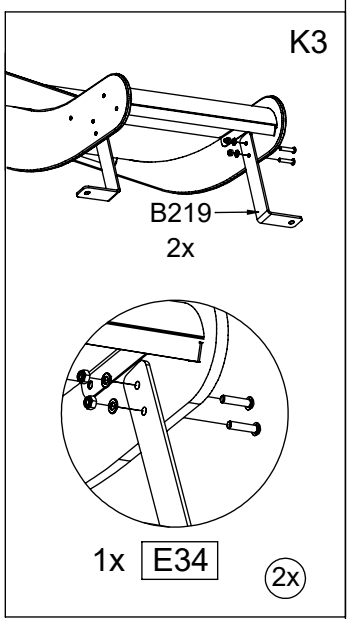
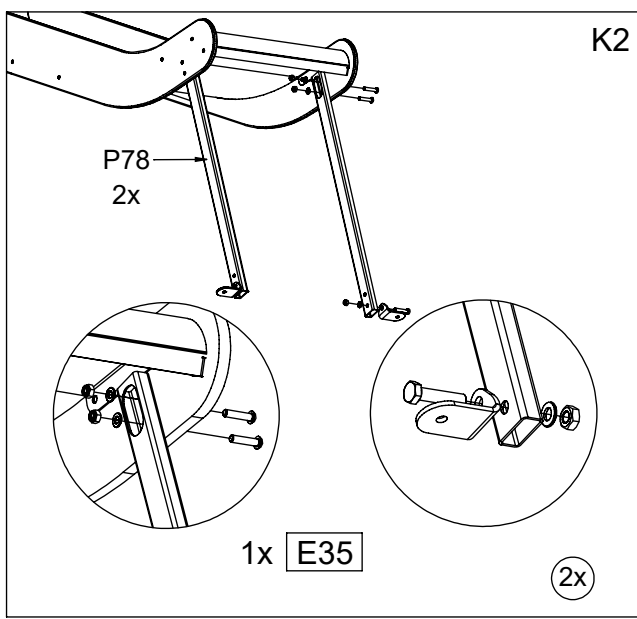
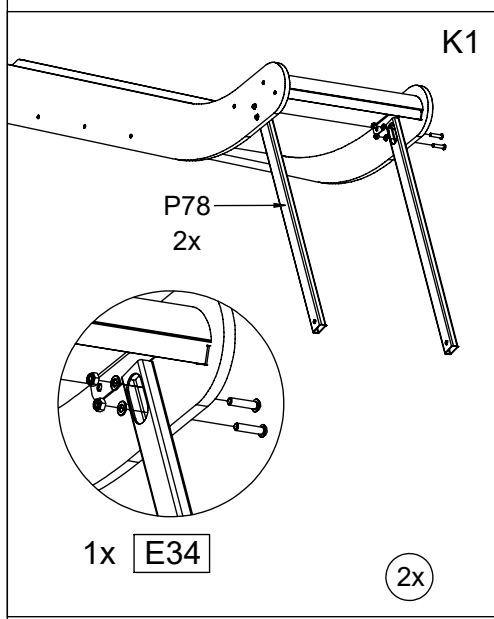
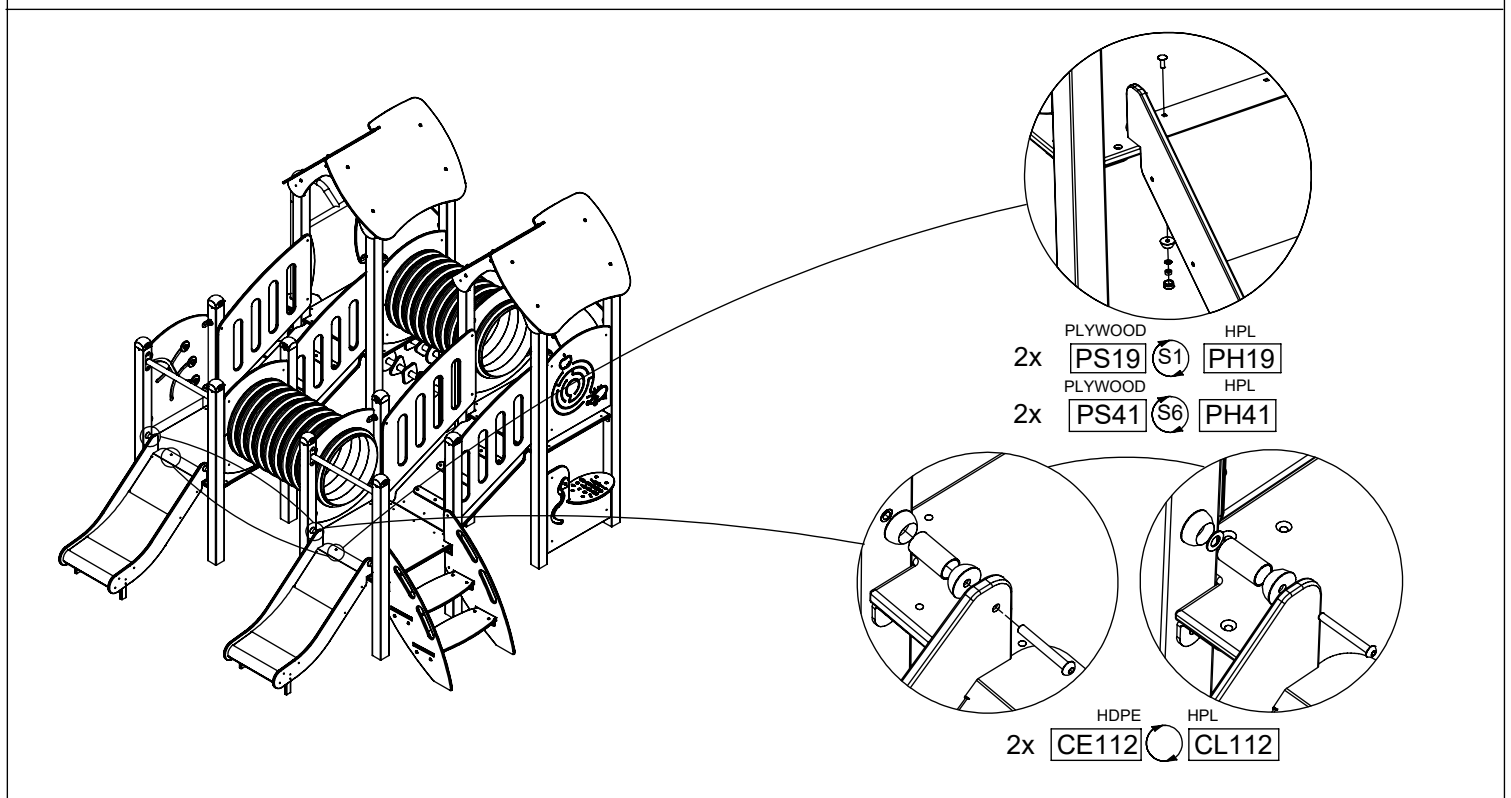
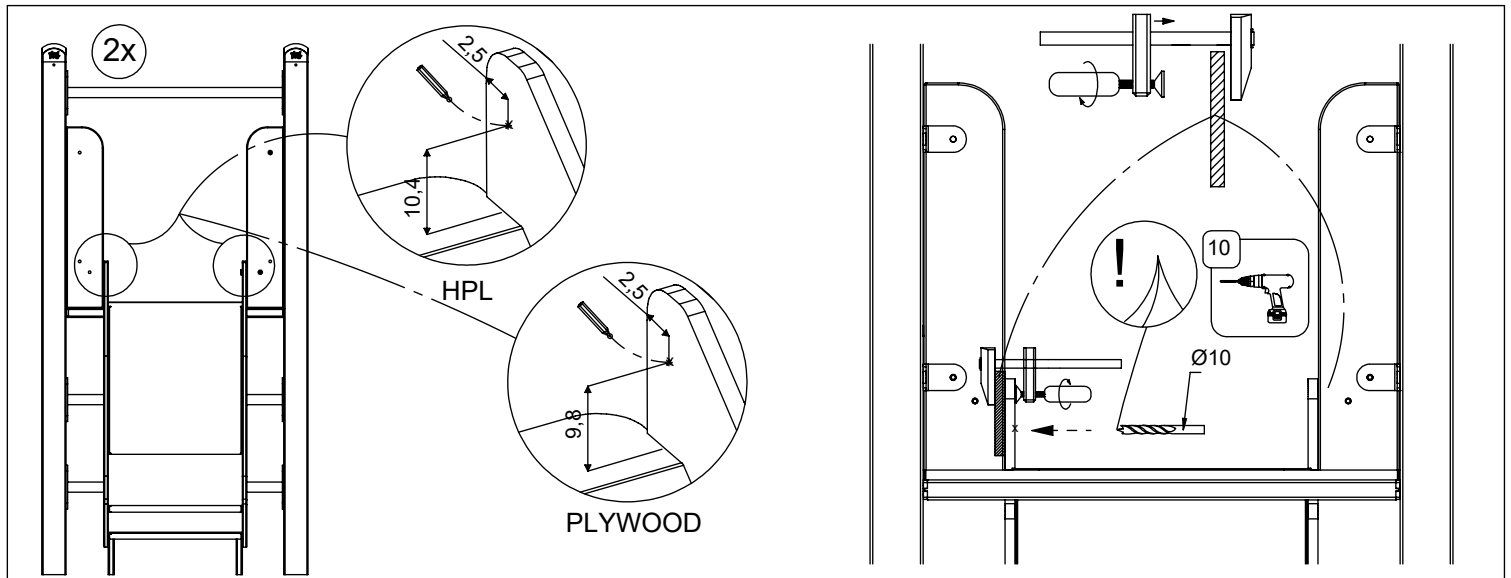
PLYWOOD 1x CE7 HPL CL7

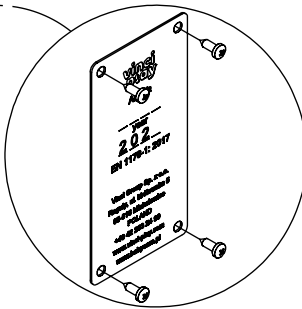
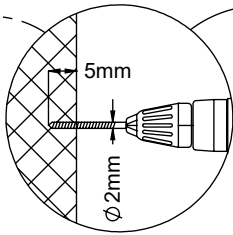
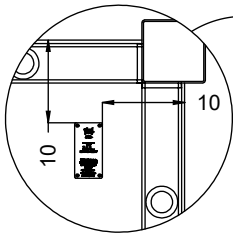
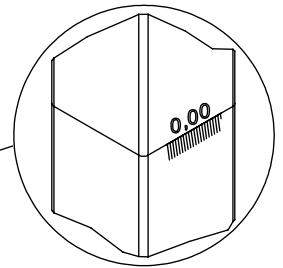
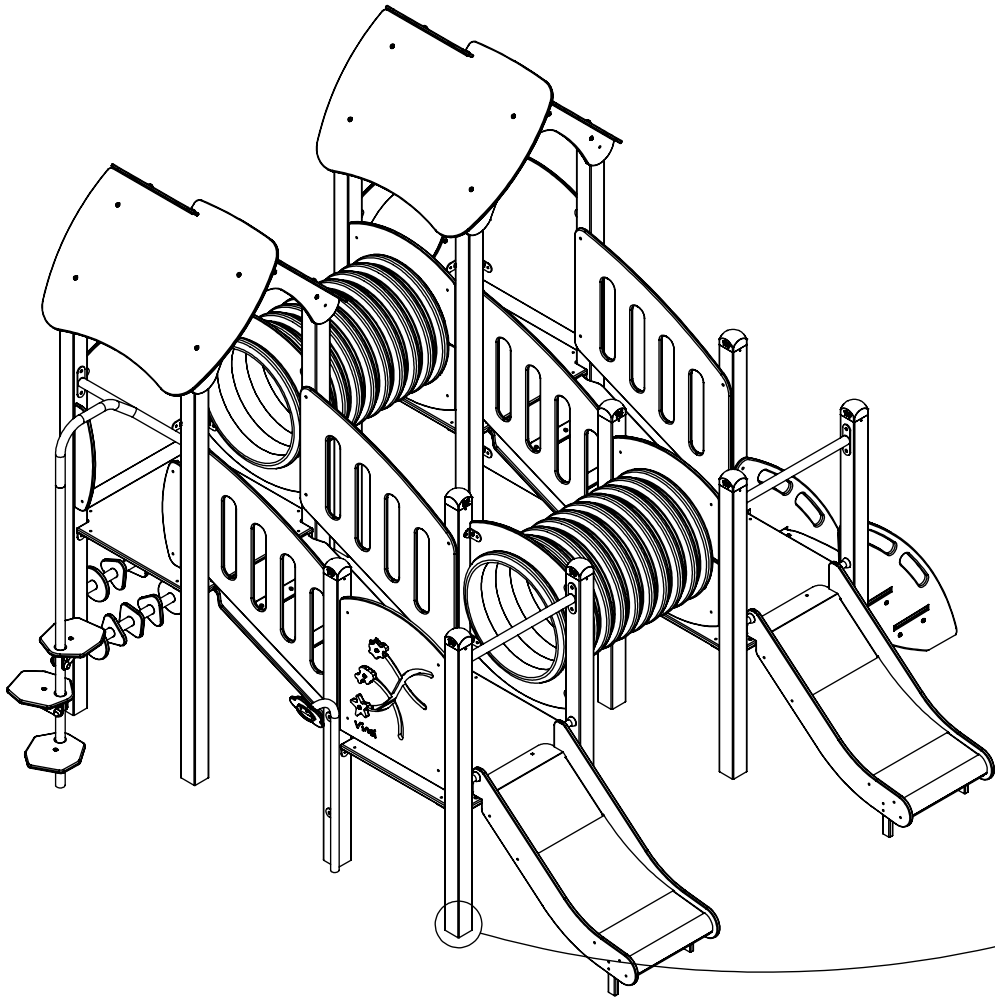


[cm]

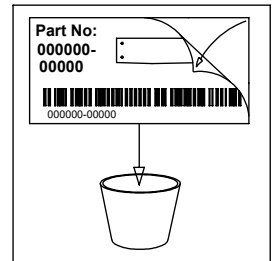
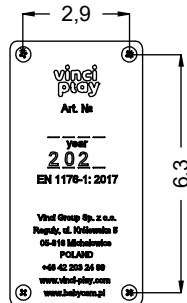


vinci
play





V001



[cm]



vinci
play