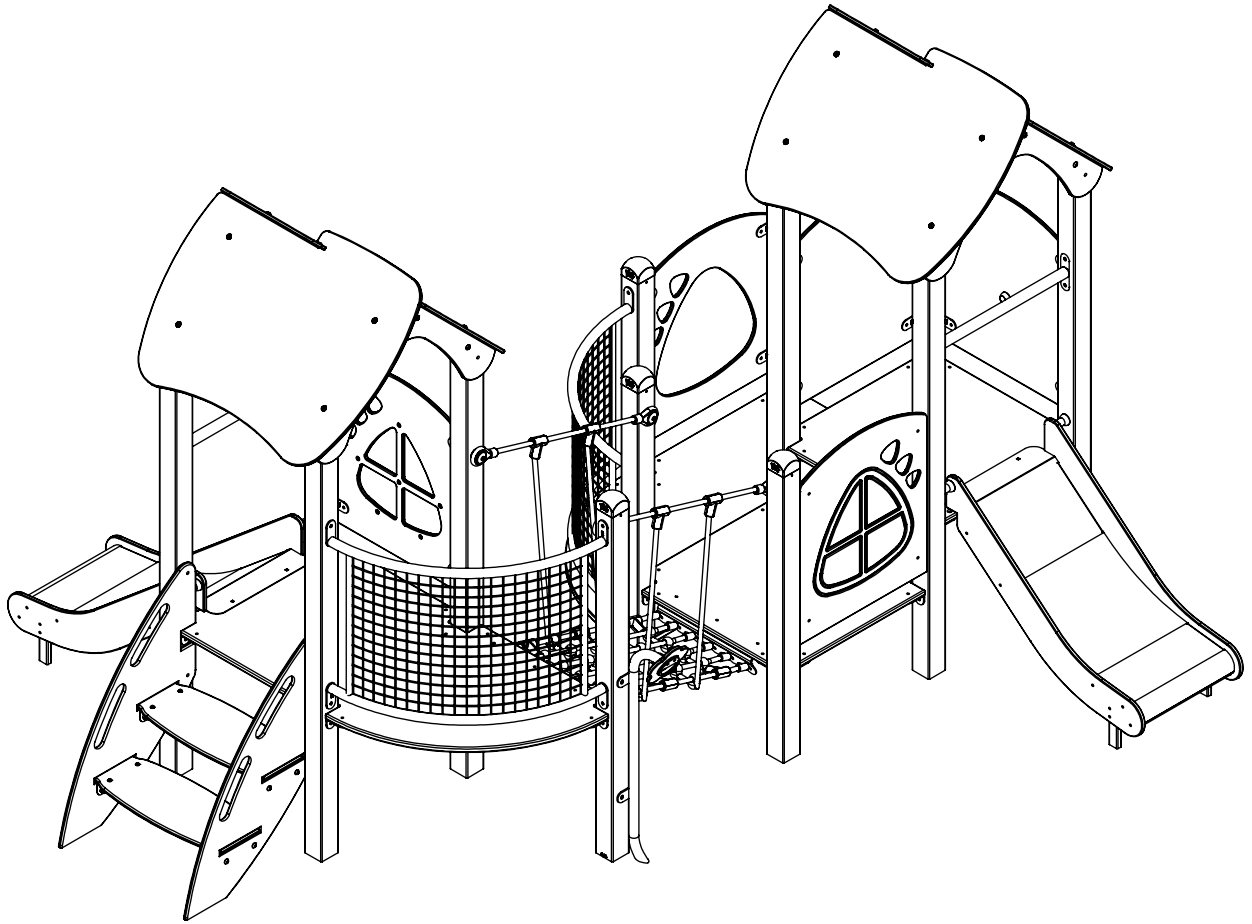
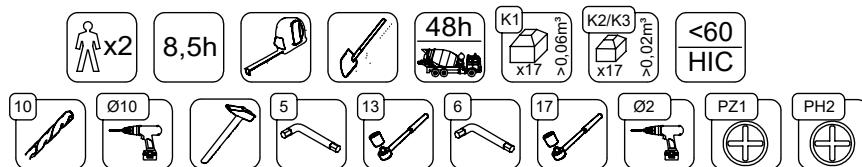


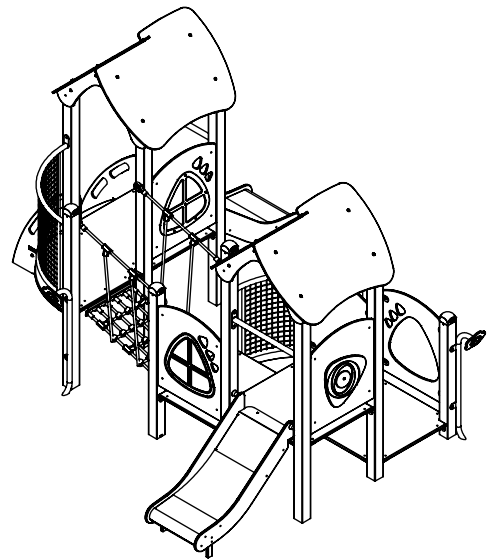
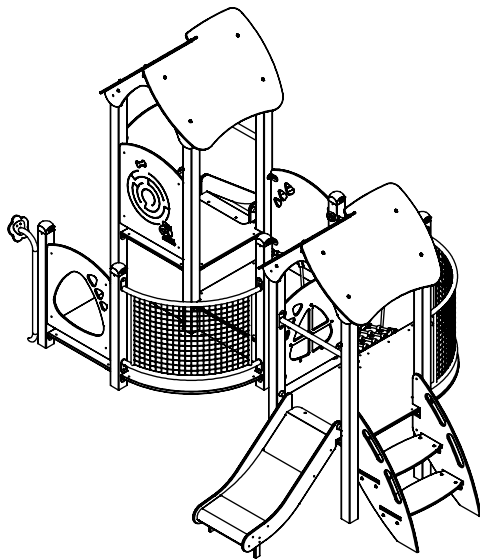
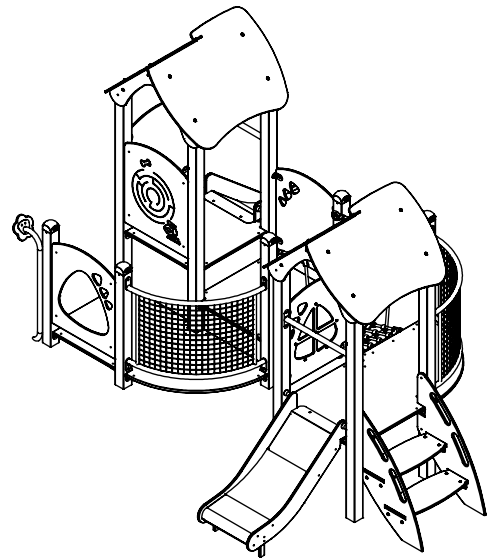
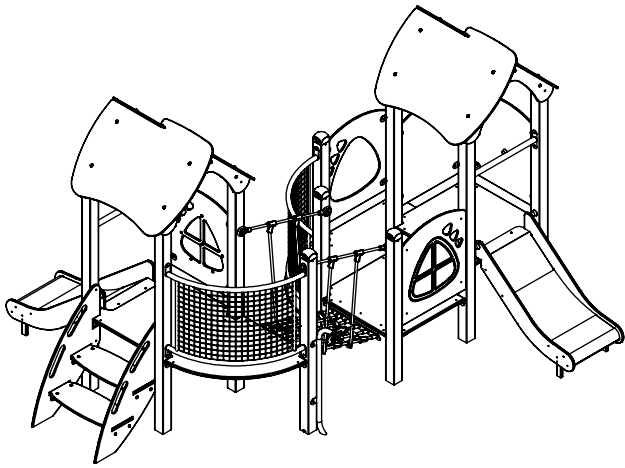
# 0109-1



v012  
13.05.2021  
A. P.  
[cm]

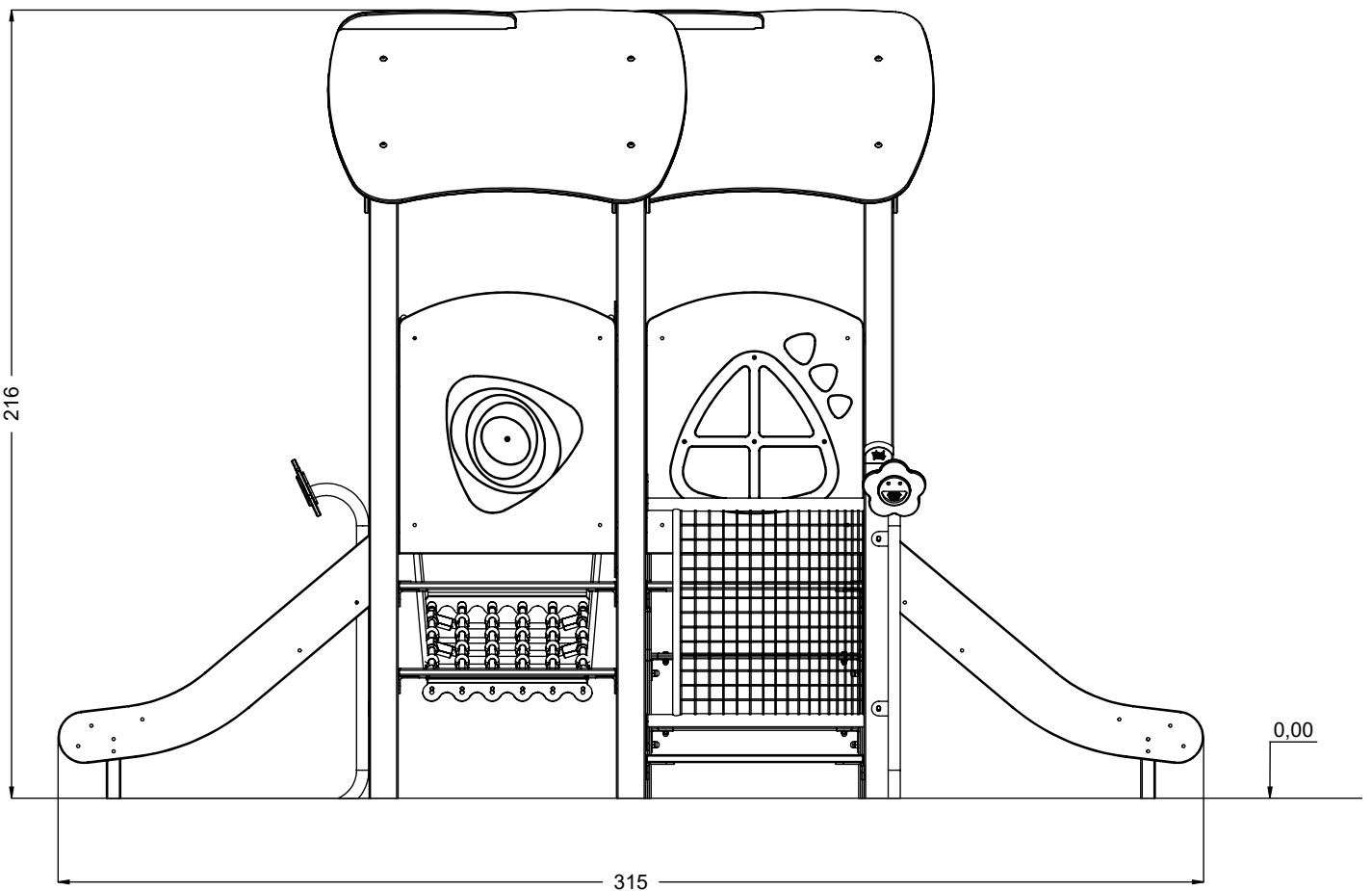
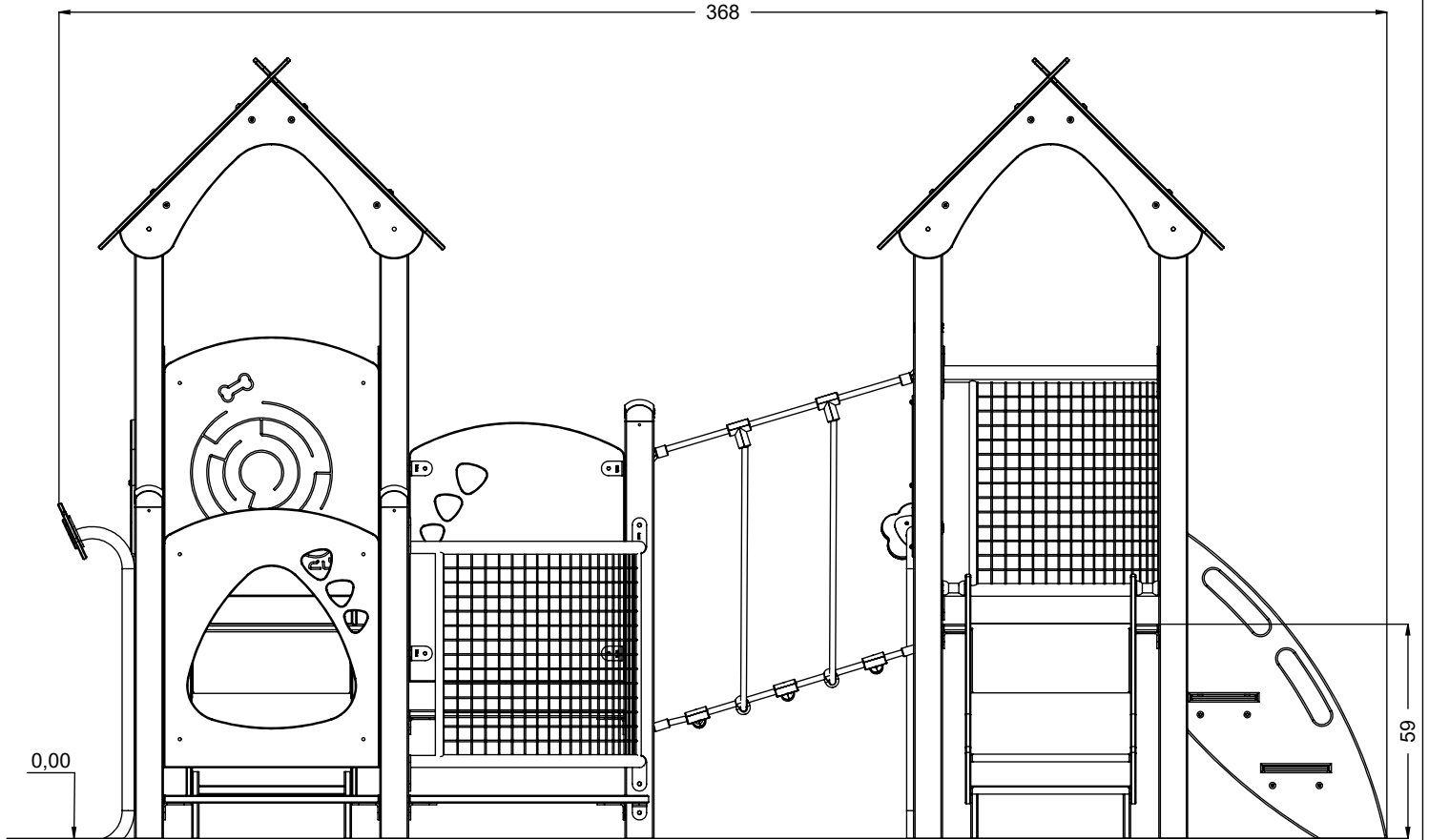


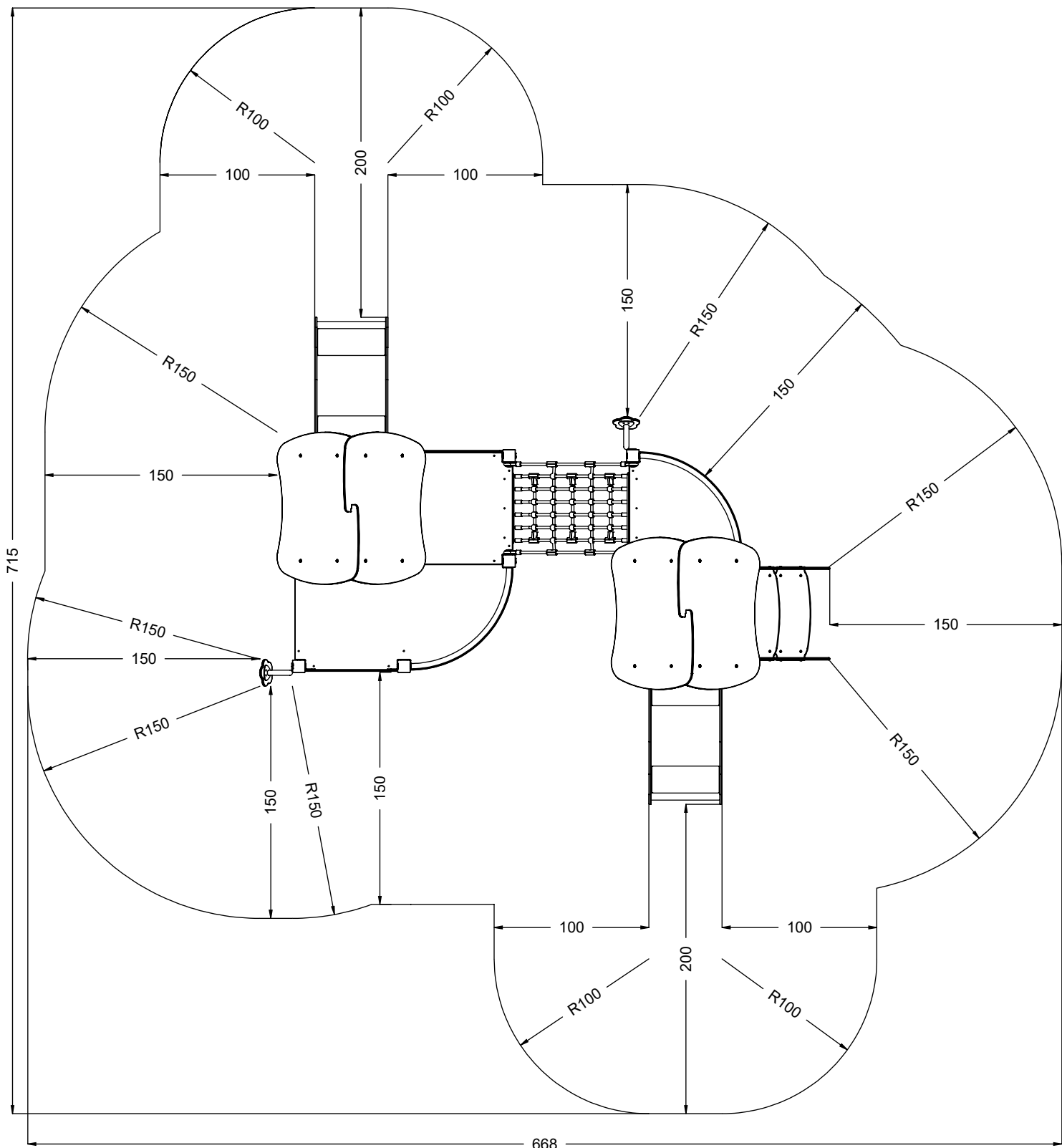
vinci  
play



[cm]

vinci  
play

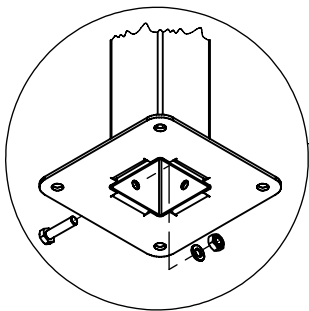
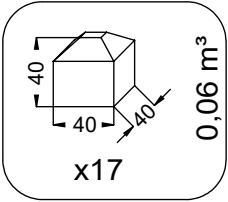
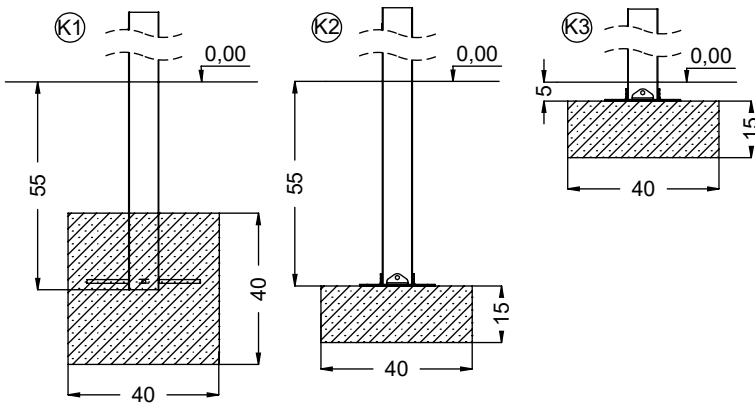




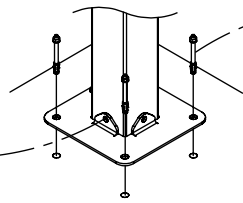
[cm]



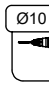
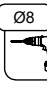




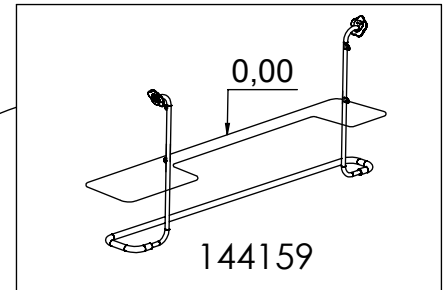
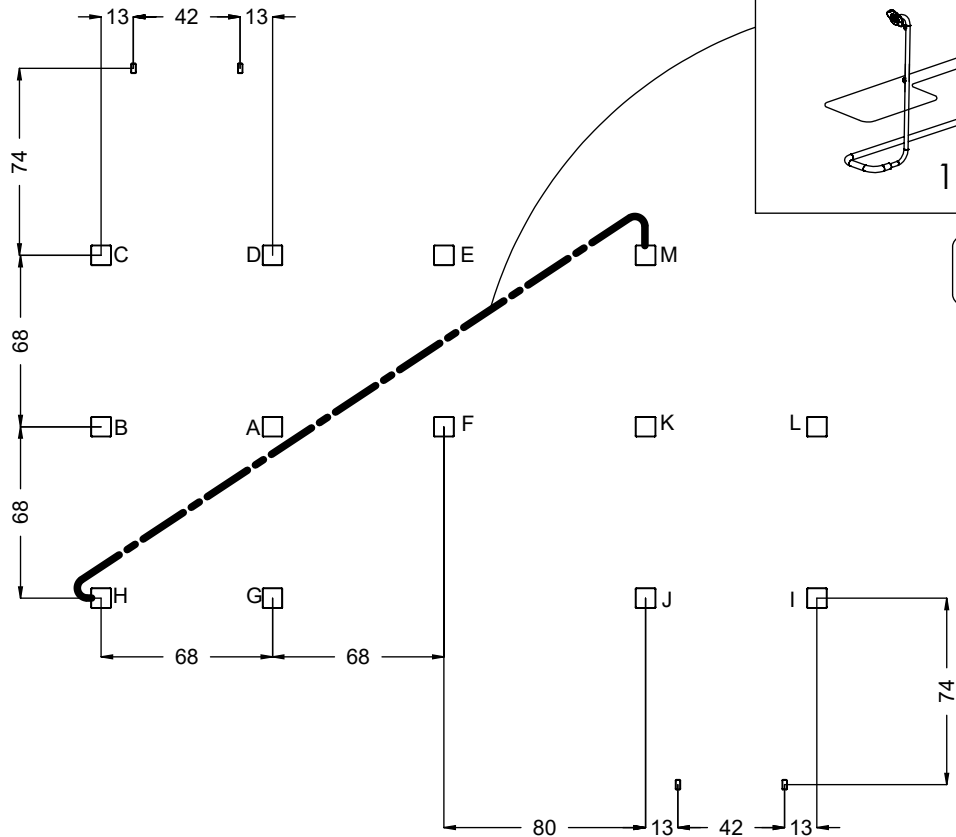
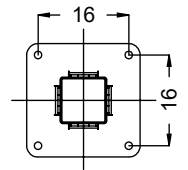
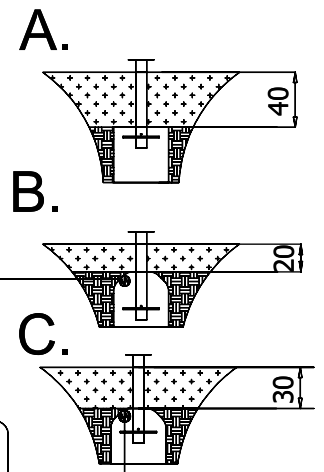
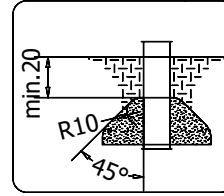
vinci  
play



E37



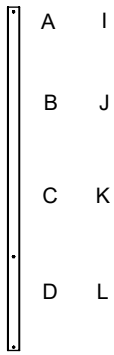
52x M10x120 (K2)	4x M8x120 (K2)
56x M10x120 (K3)	
	
	
<b>NOT INCLUDED</b> 	<b>NOT INCLUDED</b> 



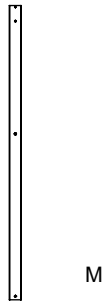
[cm]

 x2	8,5h			48h 	K1  x17 >0.06m³	K2/K3  x17 >0.02m³
--	------	---	---	---	--	--

vinci play



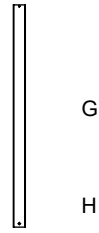
109



109



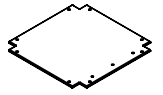
109



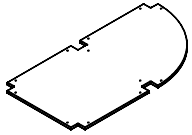
109



011226  
x1



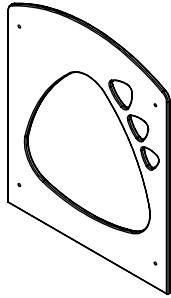
011229  
x1



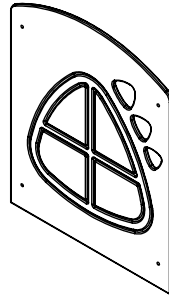
011227  
x1



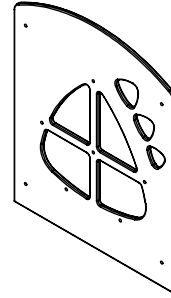
011181  
x1



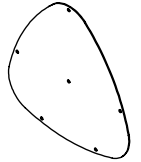
011106  
x1



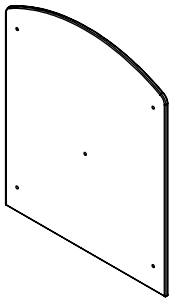
011105  
x1



011103  
x1



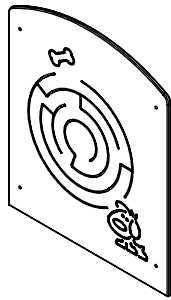
011118  
x1



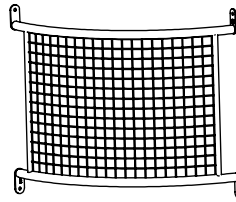
011124  
x1



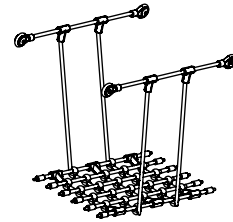
011157  
x1



011102  
x1



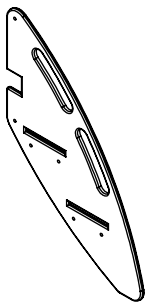
012100  
x2



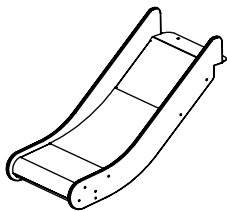
015116  
x1



011126  
x2



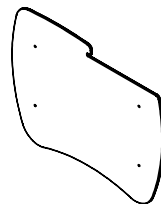
011129  
x2



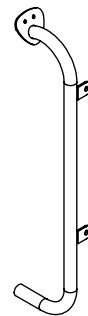
994146  
x2



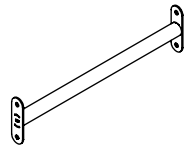
011119  
x4



011143  
x4



142121  
x2



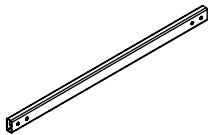
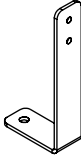


012101  
x2



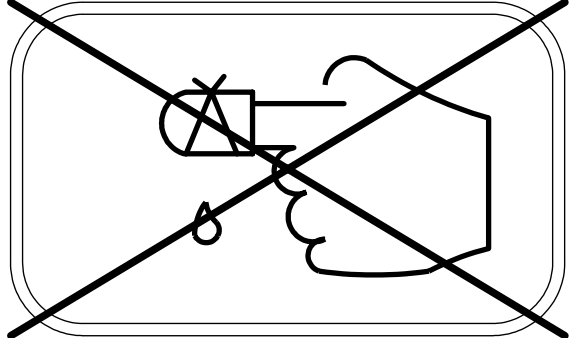
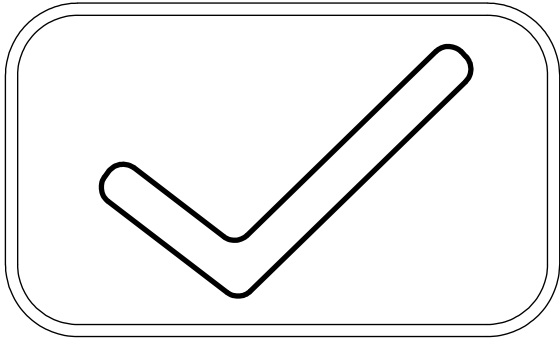
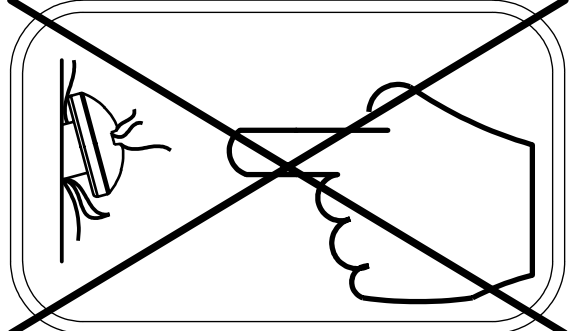
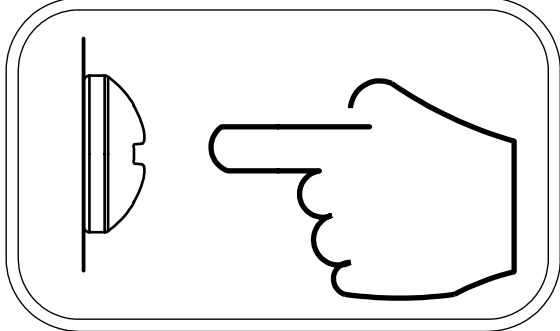
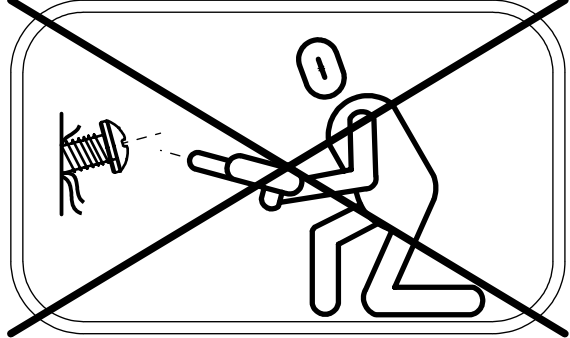
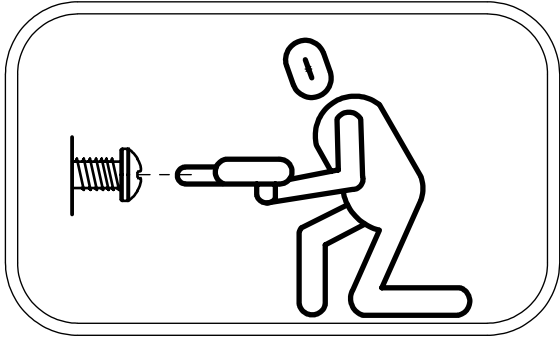
996115  
x1

[cm]

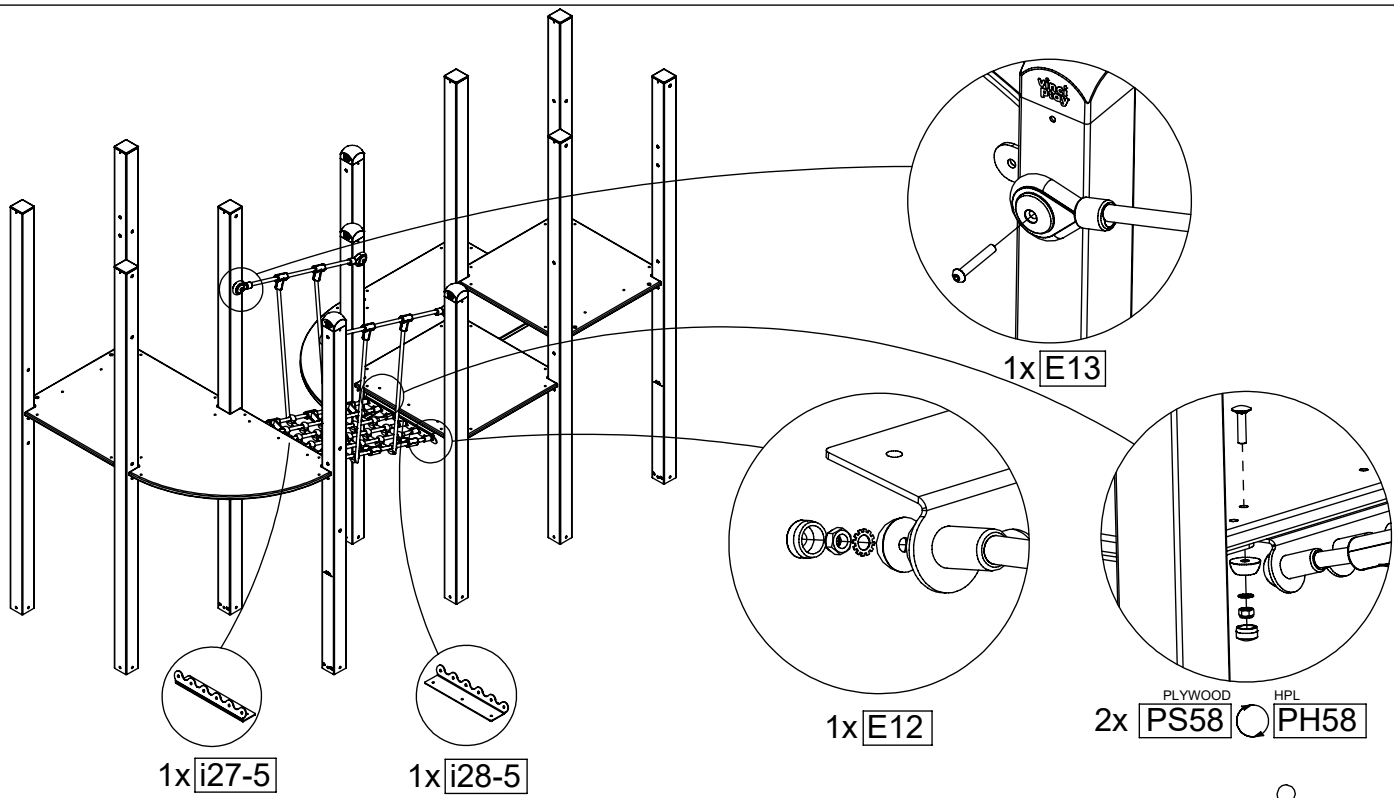
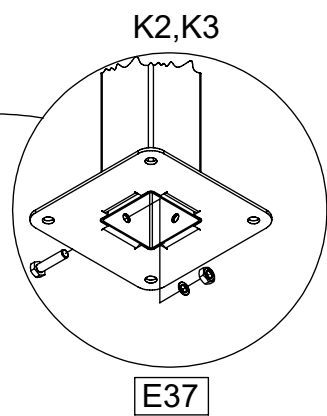
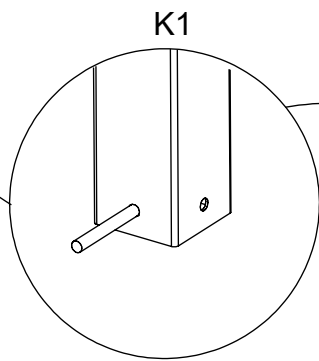
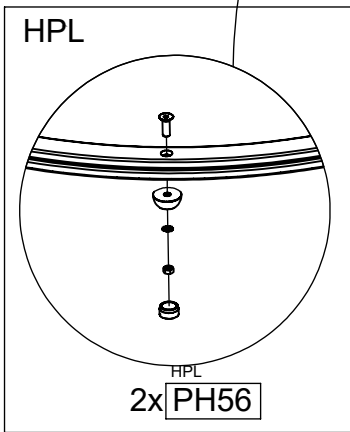
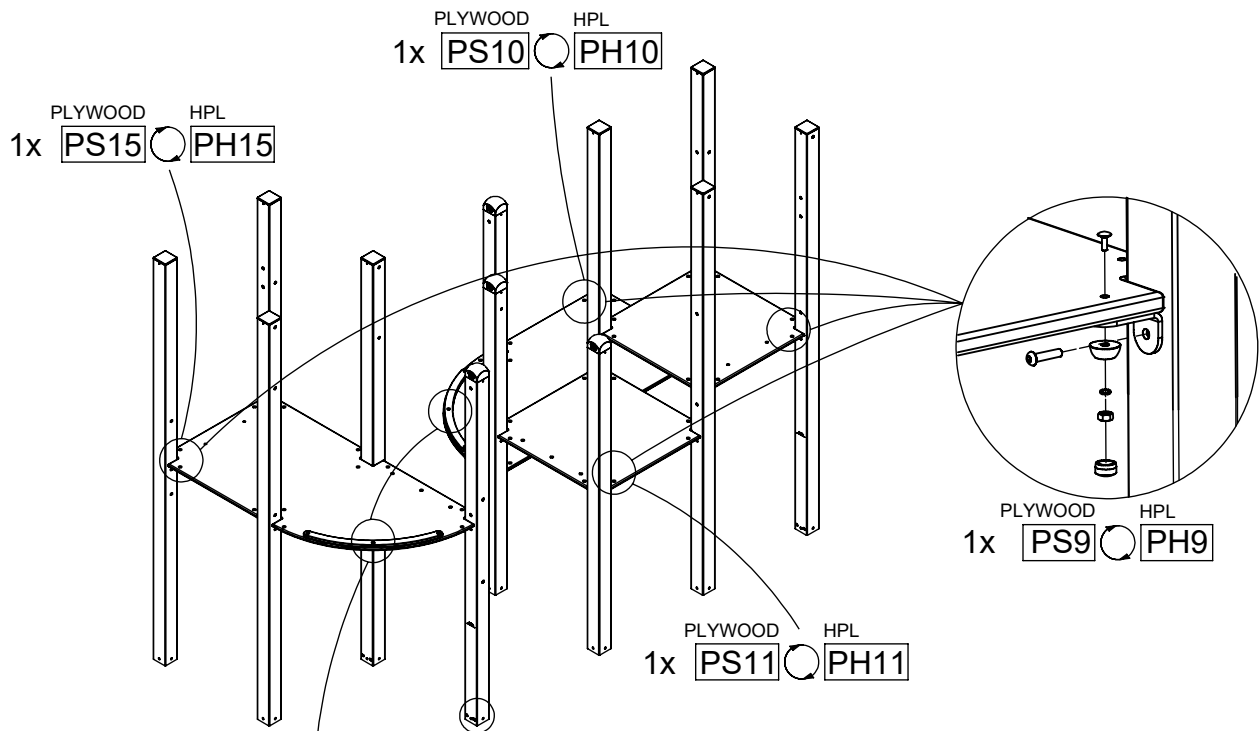
vinci  
play

<p>K1,K2</p>  <p>p78 x4</p>	<p>K3</p>  <p>b-219-2 x4</p>	<p>K2, K3</p>  <p>B231 x13</p>	<p>HPL</p>  <p>011230 x2</p>
--	---	---	--

ST/INOX		PLYWOOD / HDPE		HPL	
4x	E1	5x	CE1	5x	CL1
1x	E12	2x	CE3	2x	CL3
1x	E13	1x	CE7	1x	CL7
	E37 (K2, K3)	1x	CE11	1x	CL11
2x	E34 (K1, K3)	1x	CE33	1x	CL33
2x	E35 (K2)	2x	CE93	2x	CL93
1x	Z15	2x	CE111	2x	CL111
1x	V001	2x	CE112	2x	CL112
1x	i27-5	1x	PS9	1x	PH9
1x	i28-5	1x	PS10	1x	PH10
		1x	PS11	1x	PH11
		1x	PS15	1x	PH15
		2x	PS19 <sup>S1</sup>	2x	PH19 <sup>S1</sup>
		2x	PS41 <sup>S6</sup>	2x	PH41 <sup>S6</sup>
				2x	PH56
		2x	PS58	2x	PH58



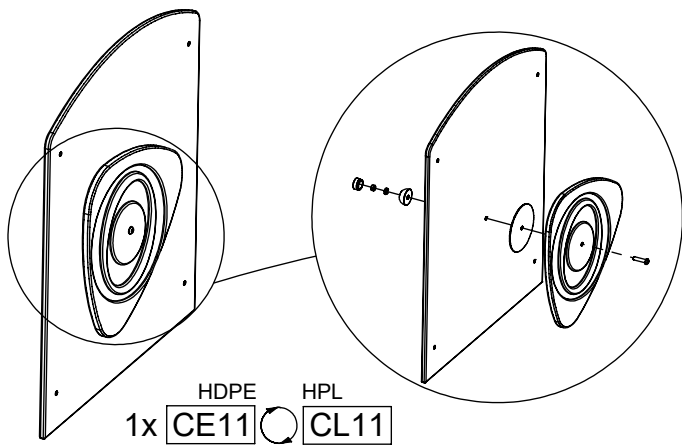




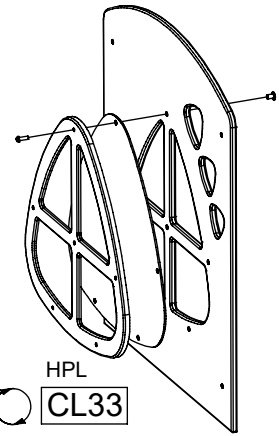
[cm]



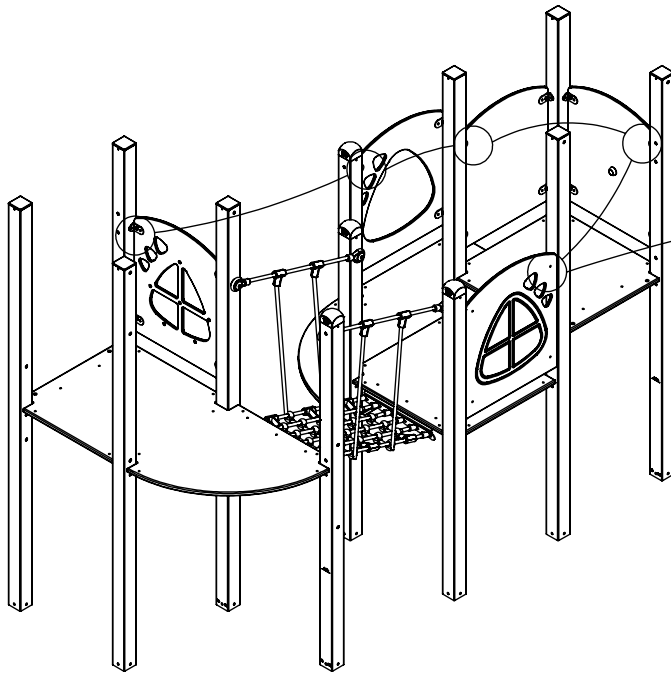
vinci  
play



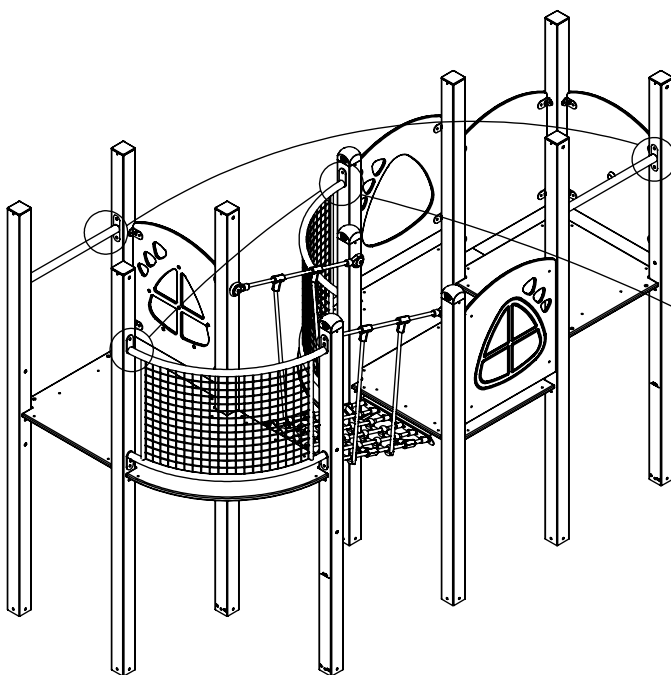
HDPE HPL  
1x **CE11** ○ **CL11**



HDPE HPL  
1x **CE33** ○ **CL33**

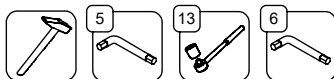


PLYWOOD HPL  
5x **CE1** ○ **CL1**



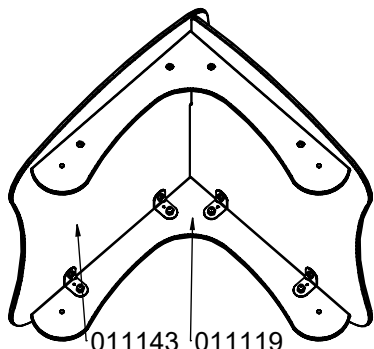
2x **E1**

2x **E1**

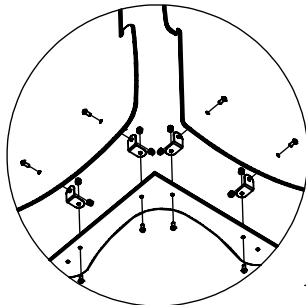


[cm]

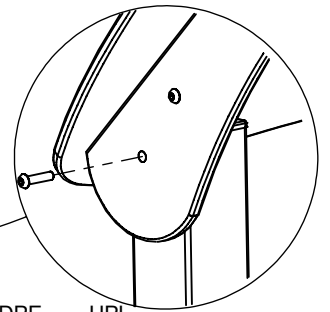
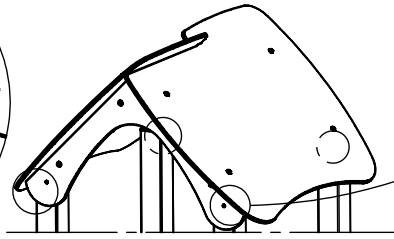
vinci  
play



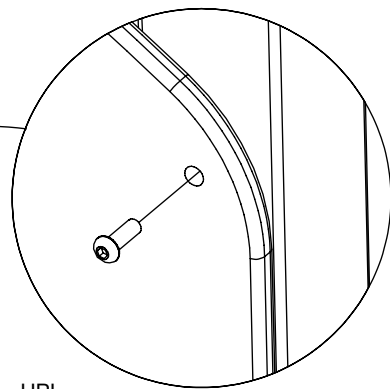
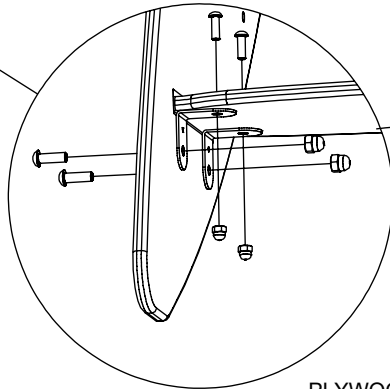
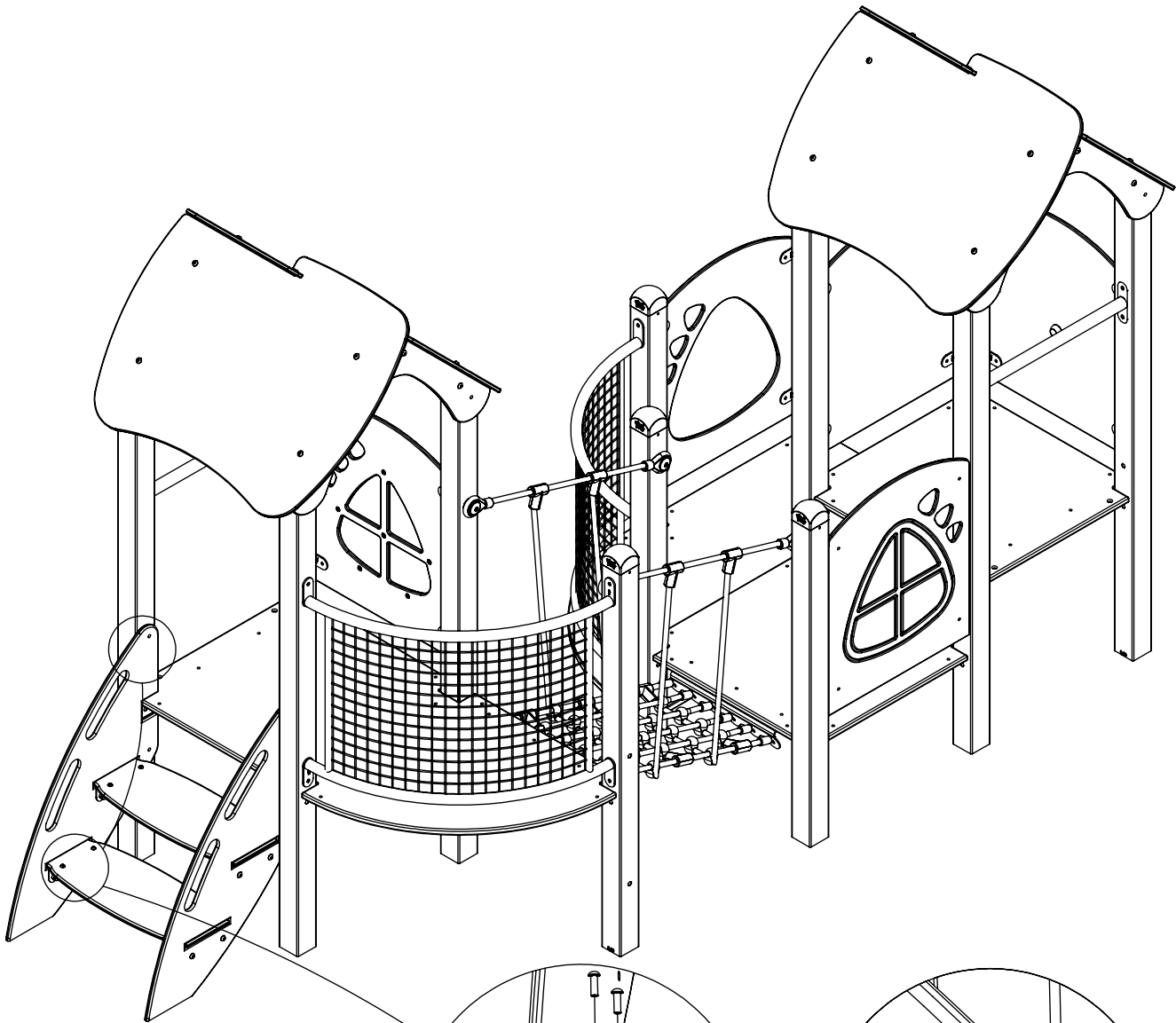
011143 011119  
2x 2x



HDPE HPL  
1x **CE3** **CL3**



HDPE HPL  
1x **CE11** **CL11**

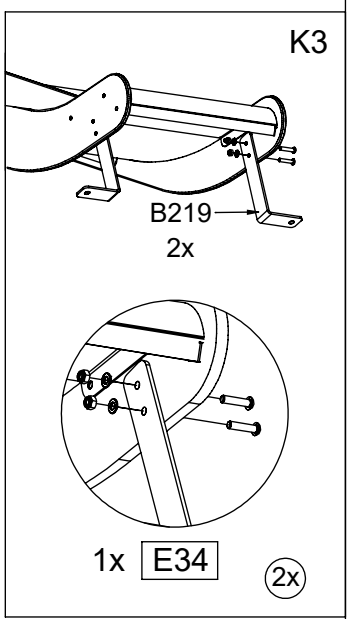
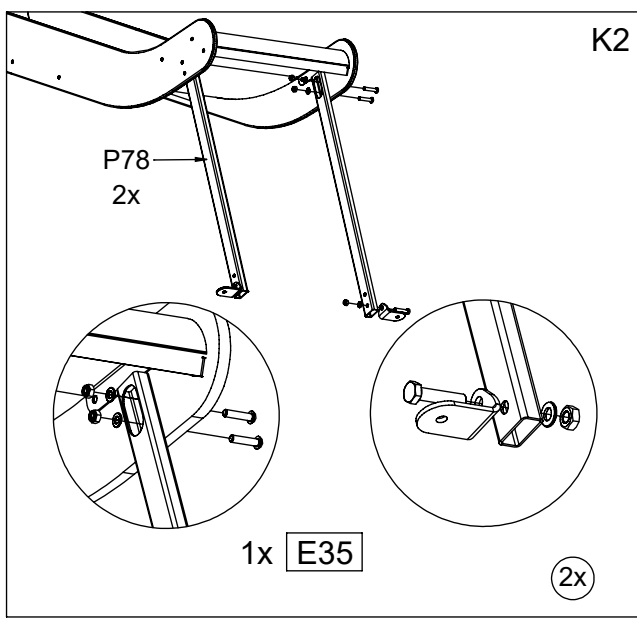
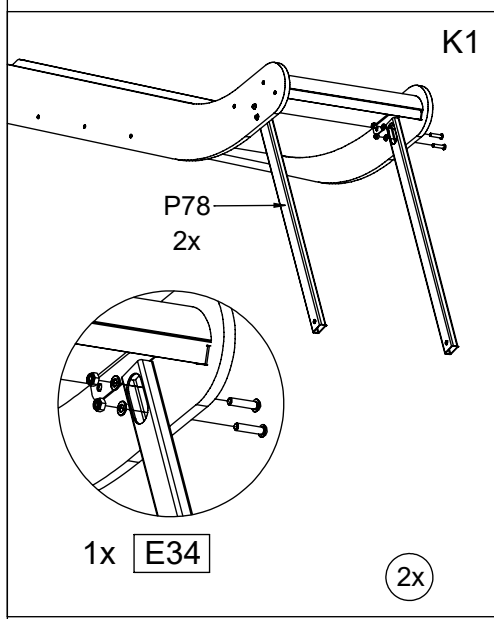
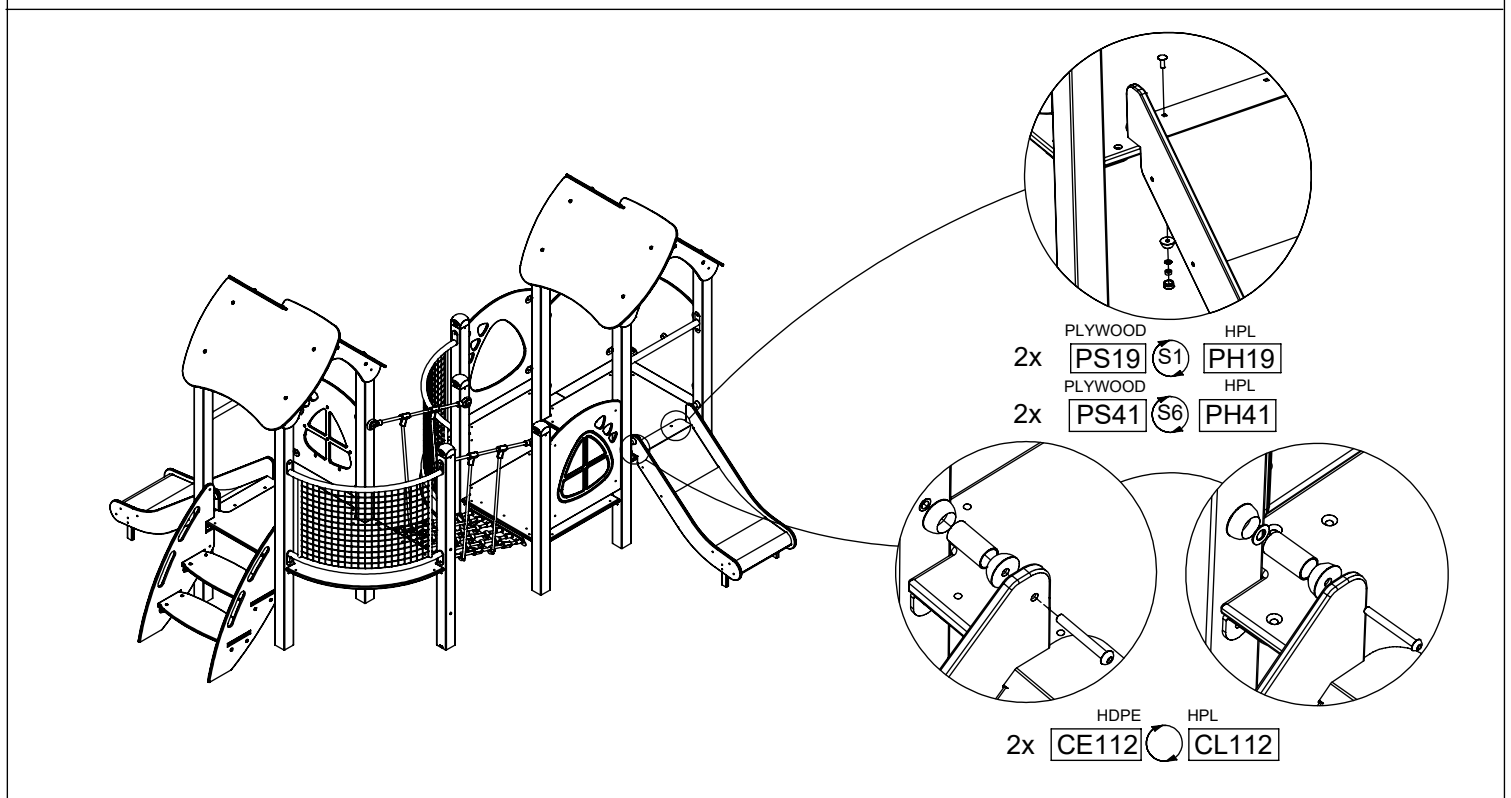
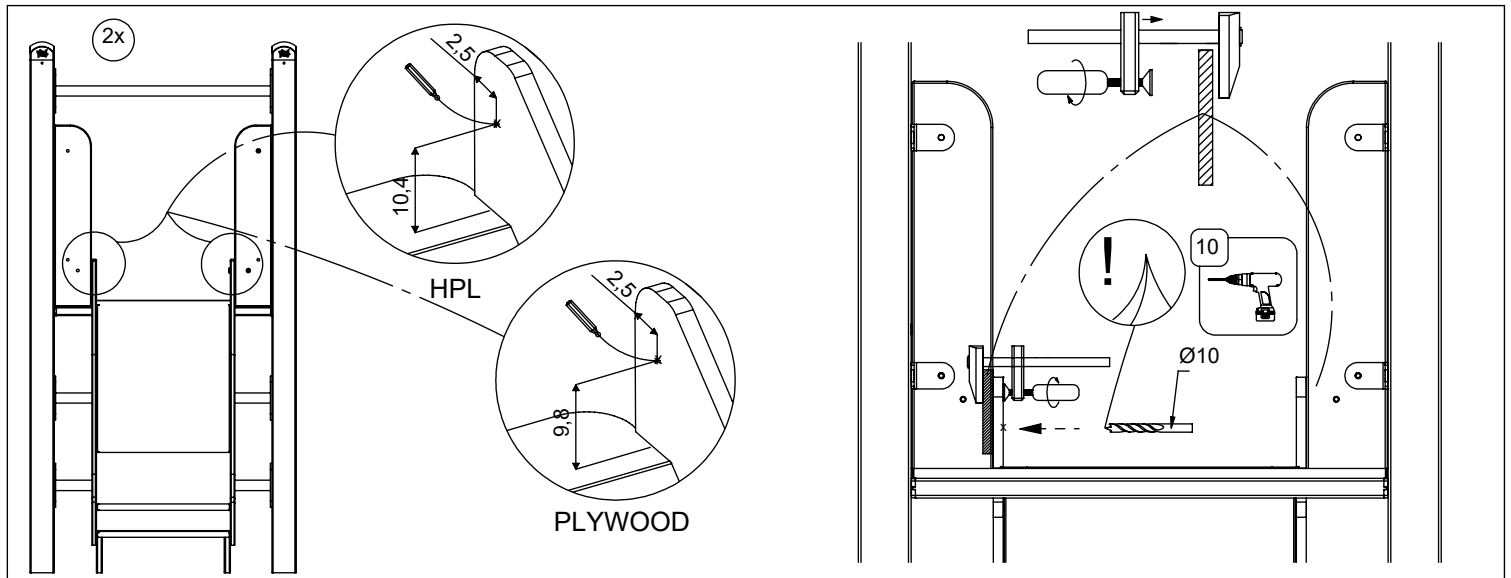


PLYWOOD HPL  
1x **CE7** **CL7**

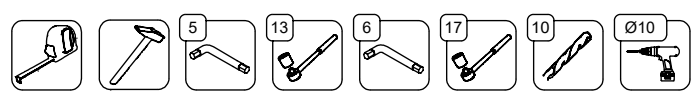


[cm]

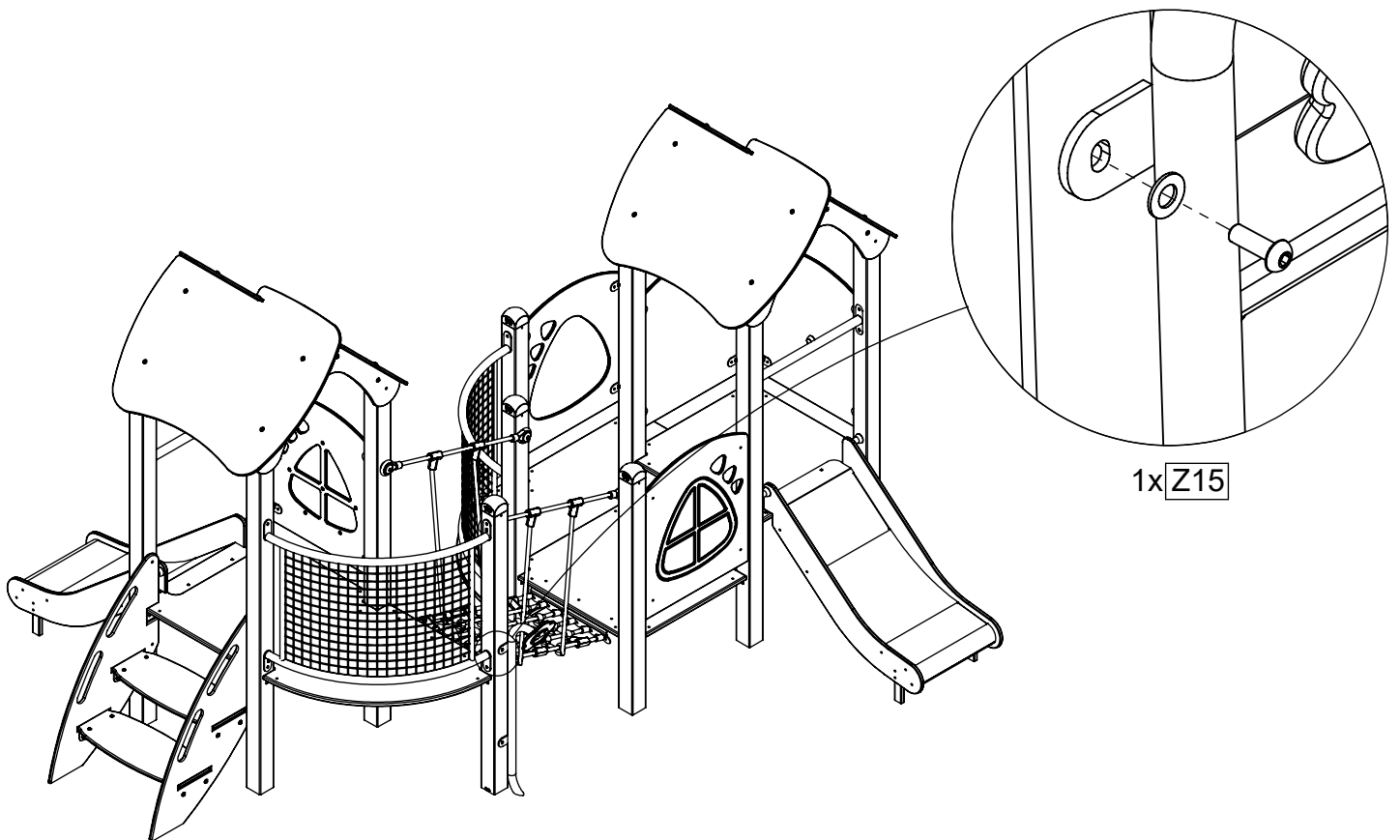
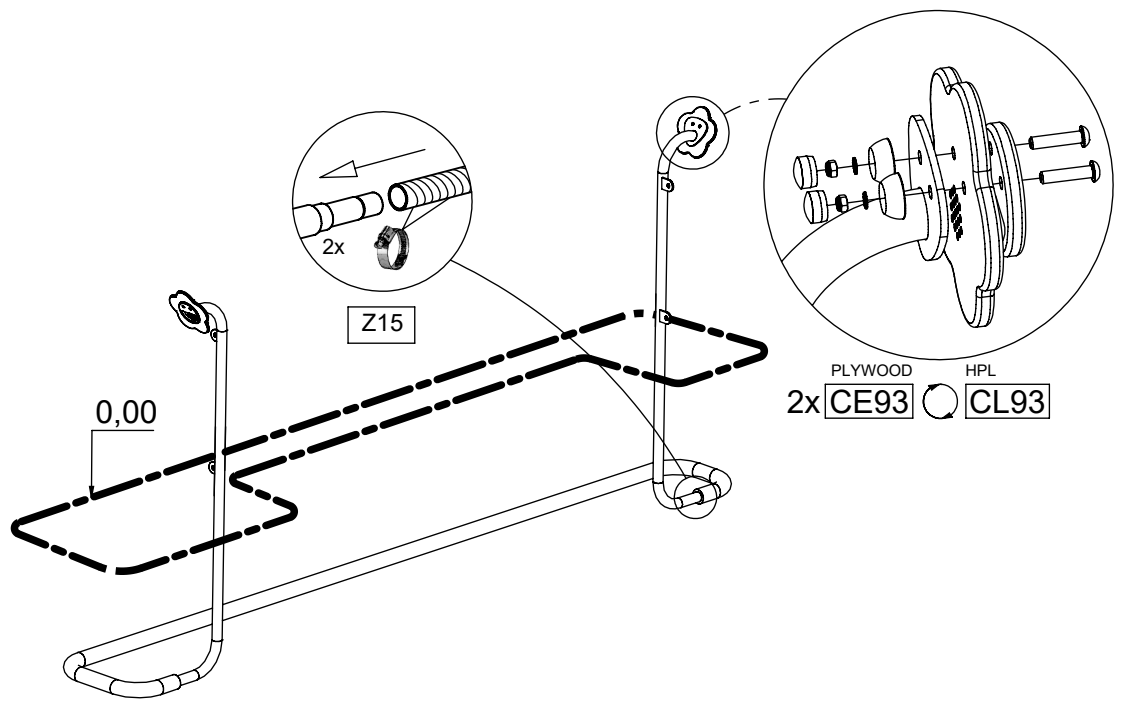
vinci  
play



[cm]



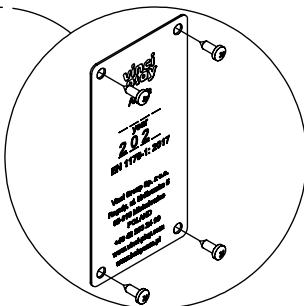
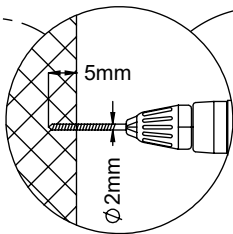
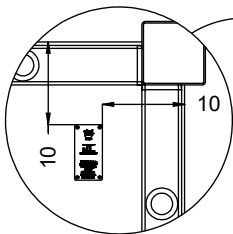
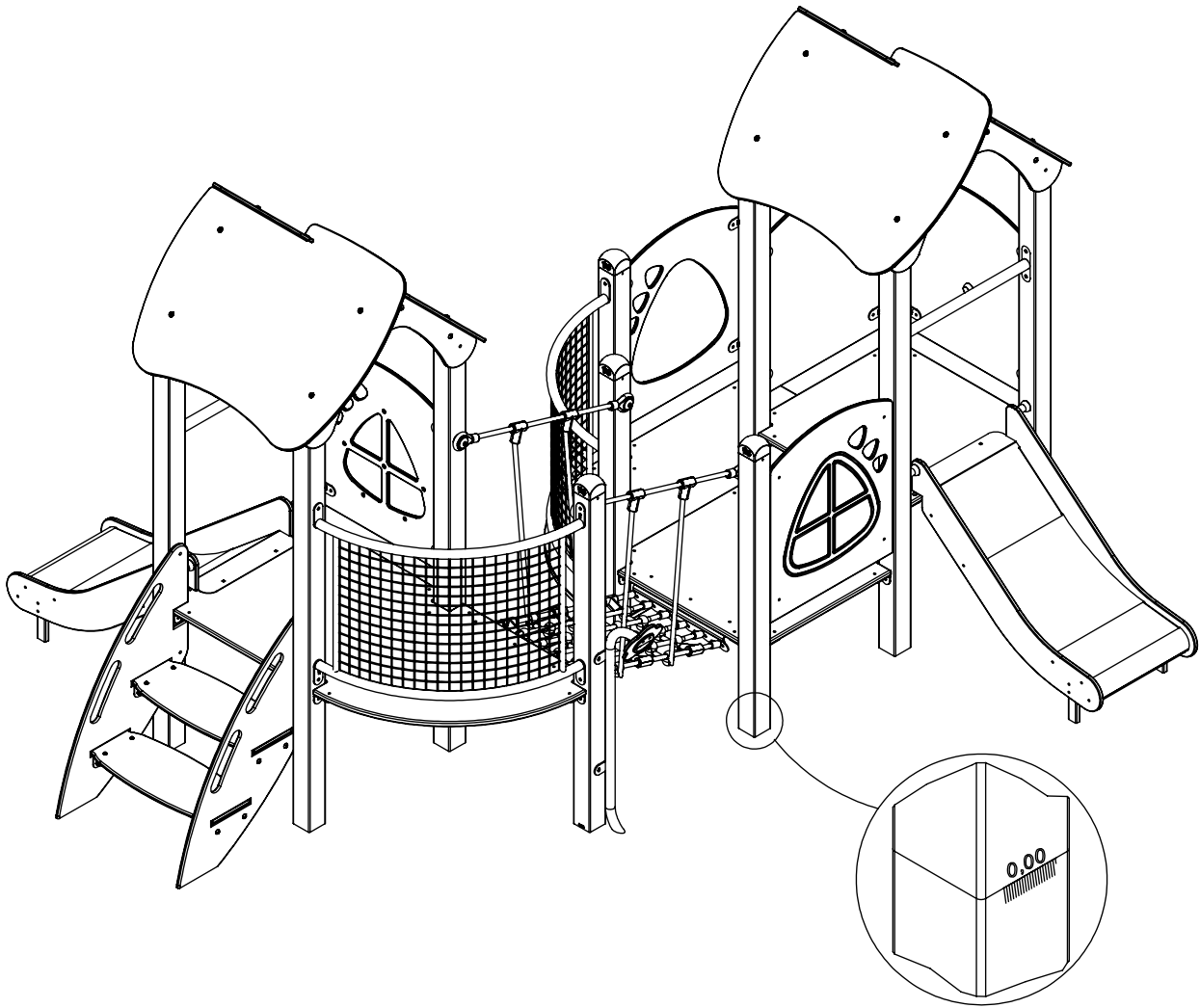
vinci play



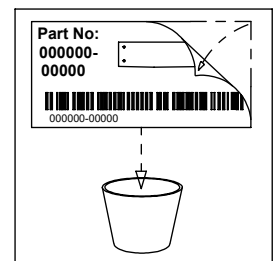
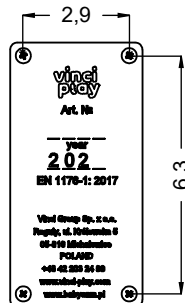
[cm]



vinci  
play



V001



[cm]



vinci  
play