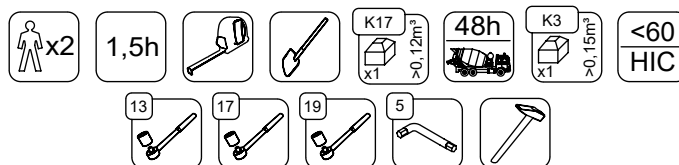
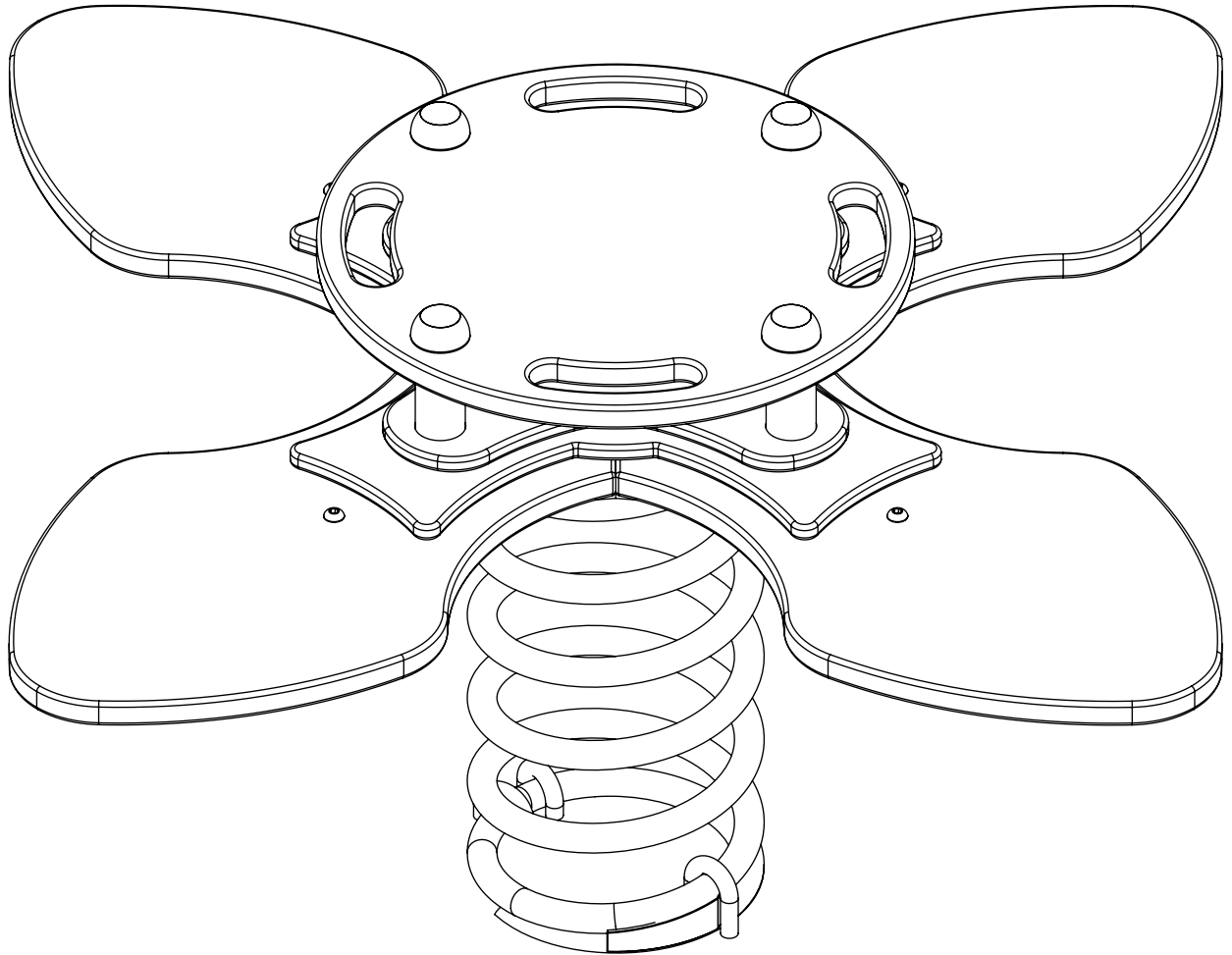
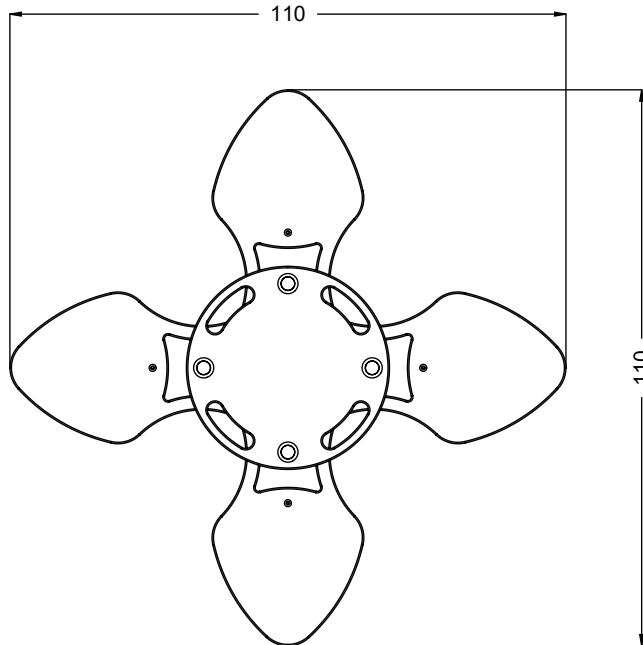
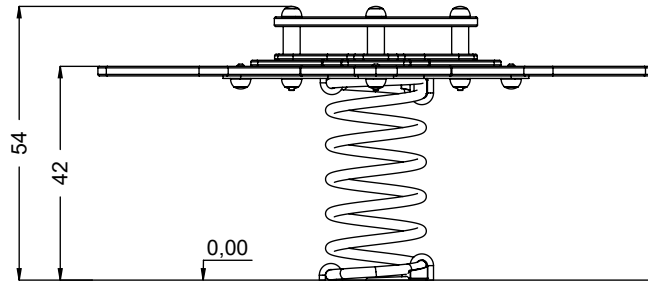
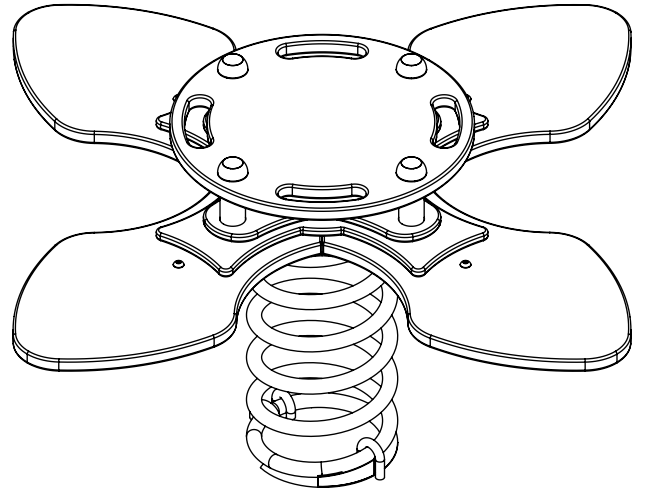
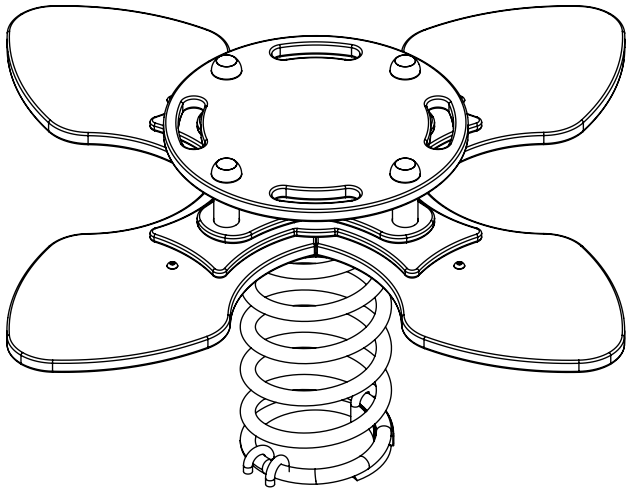


0611-1



v012
14.02.2020
A. H.
[cm]

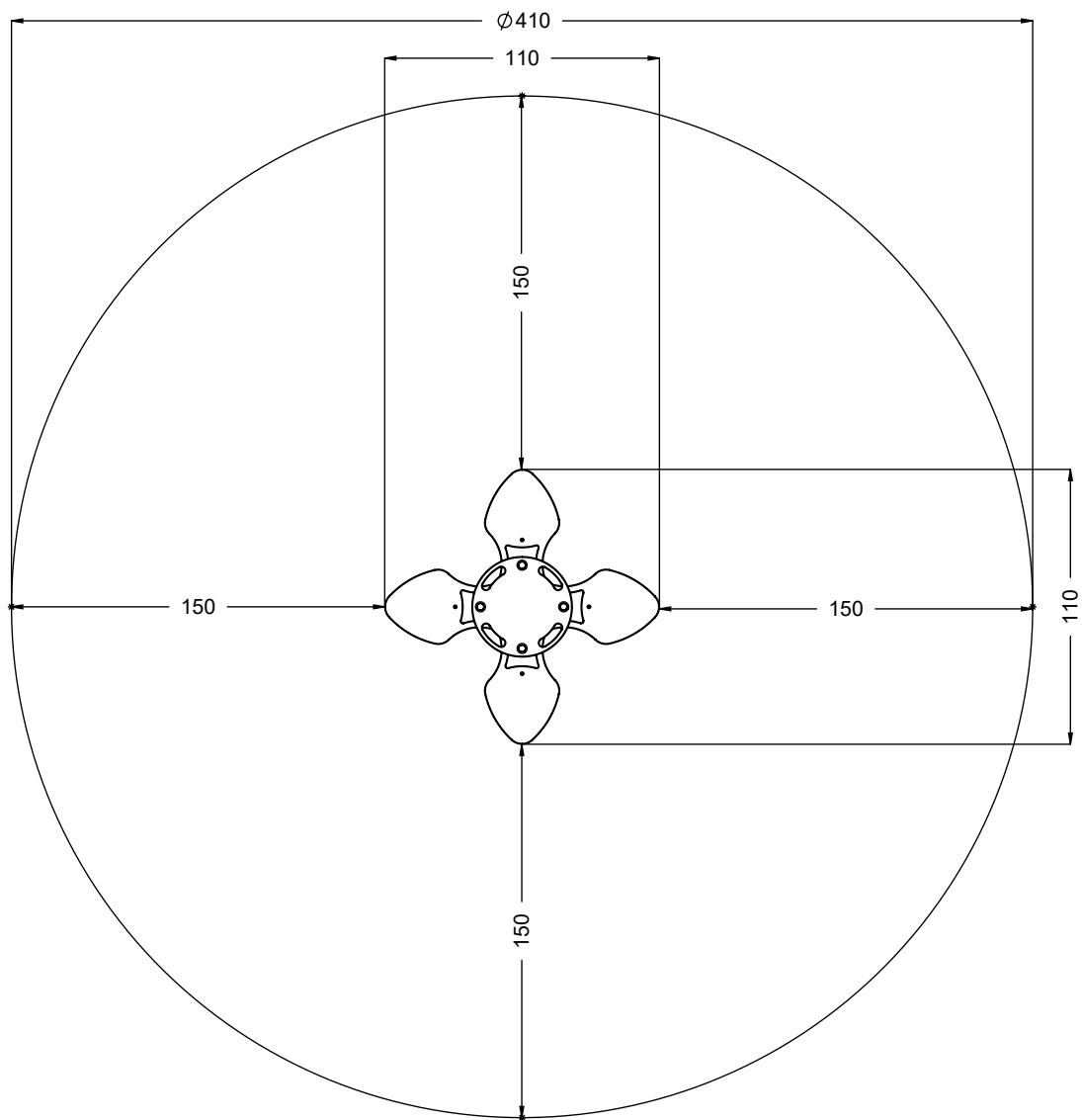
vinci
play



[cm]



vinci
play

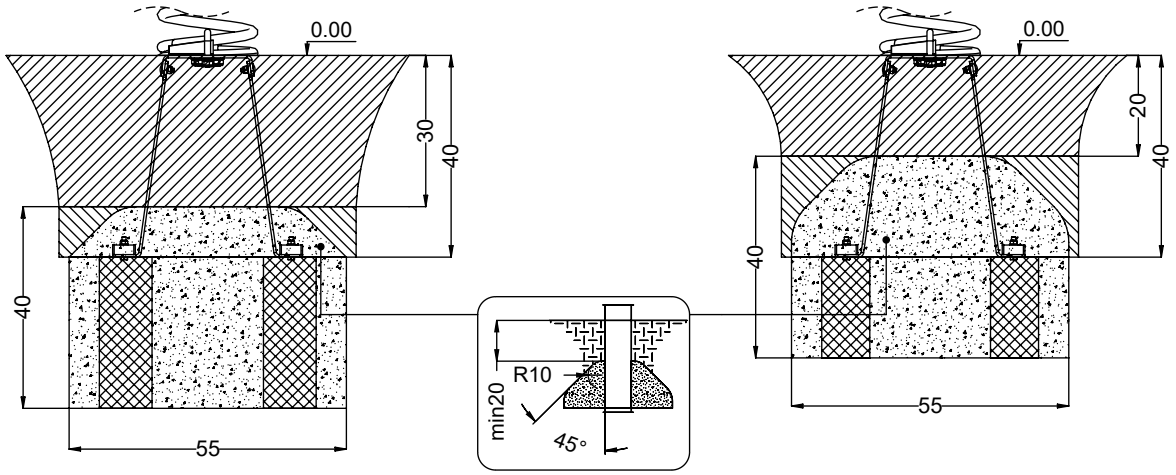


[cm]






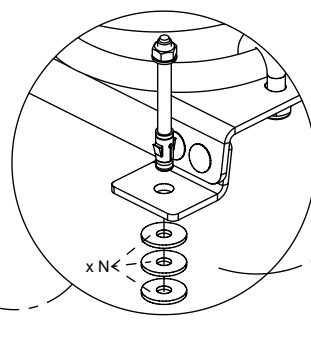
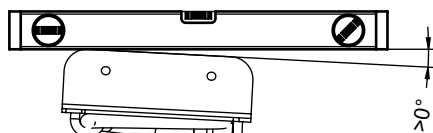
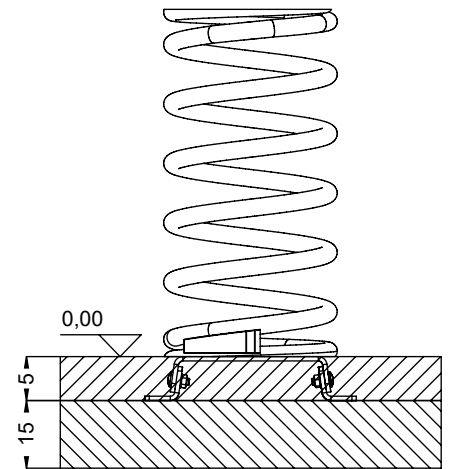
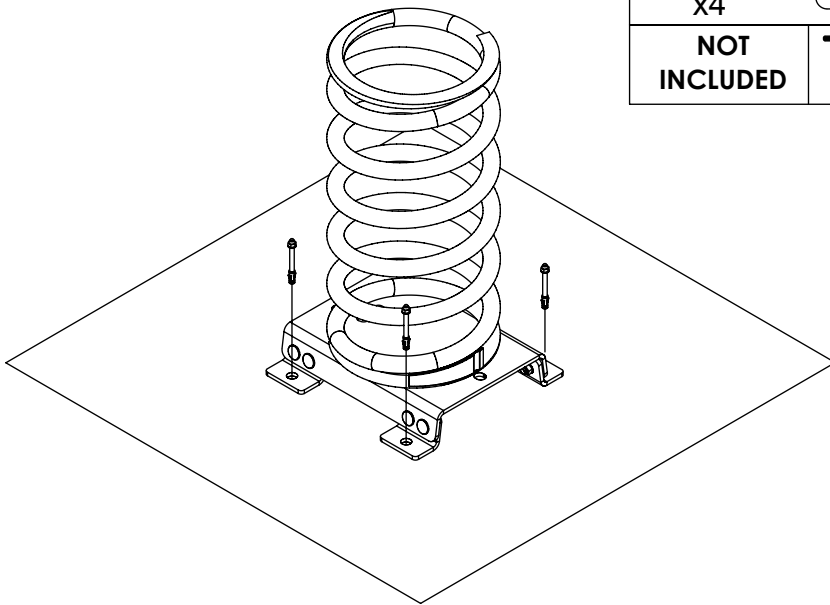
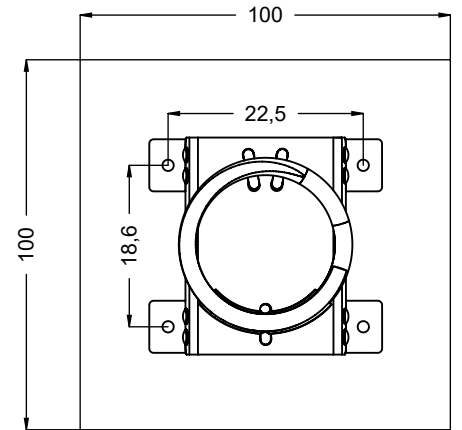
vinci
play

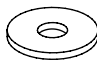

K17



K3

	K3
M10x120 x4	
NOT INCLUDED	




M10 DIN 9021
NOT INCLUDED 

[cm]



1,5h

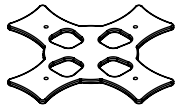


>0,12m³



>0,15m³

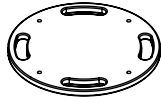
vinci
play



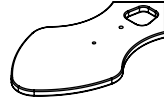
061168
x1



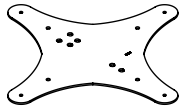
061198
x1



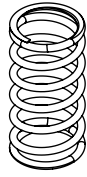
061167
x1



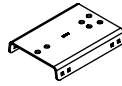
061165
x4



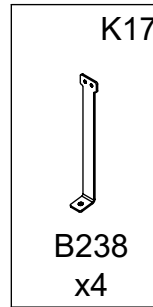
B17-1
x1



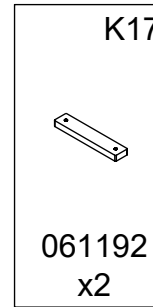
993119
x1



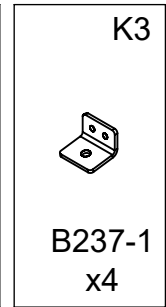
B239
x1



K17
B238
x4

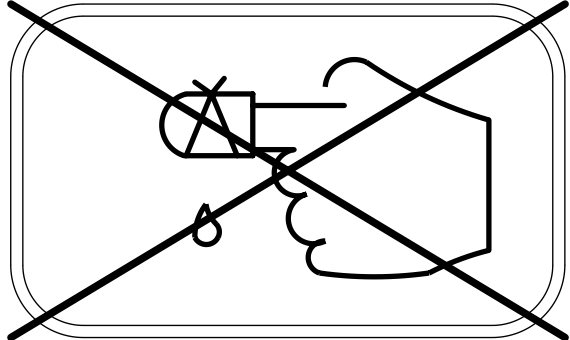
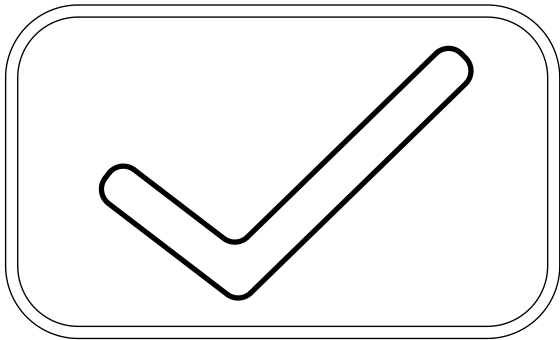
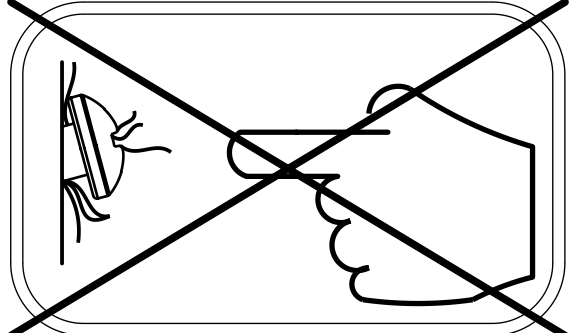
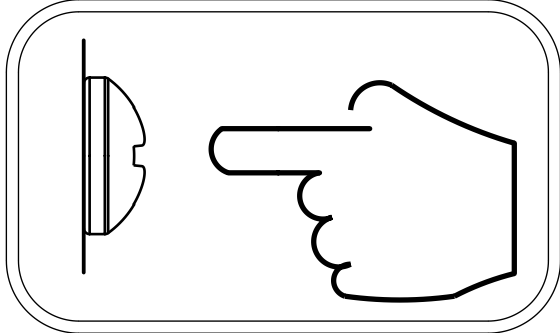
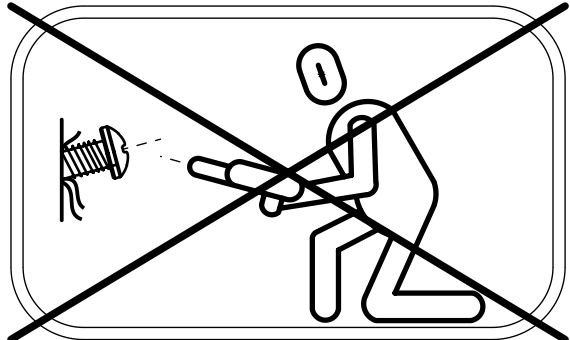
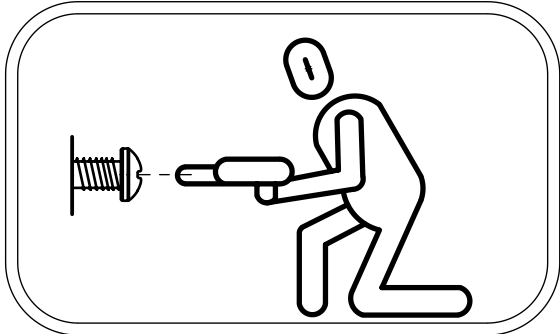


K17
061192
x2

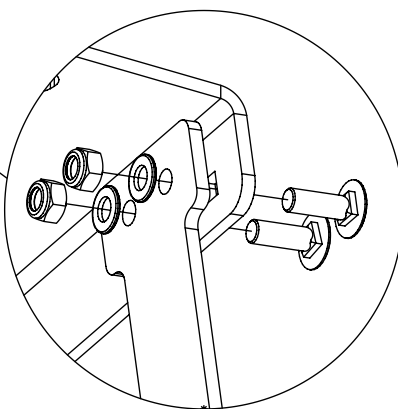
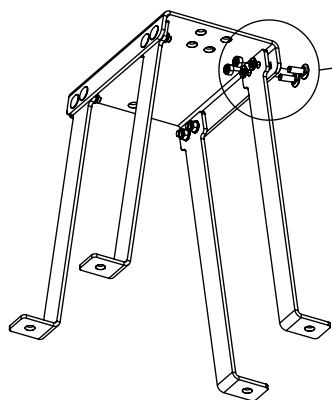


K3
B237-1
x4

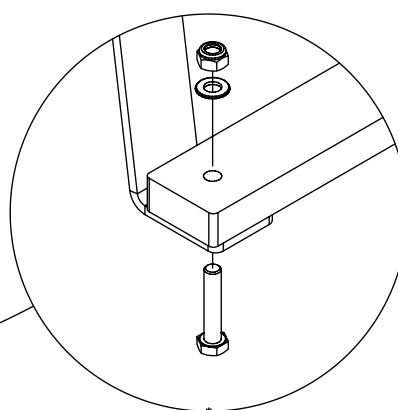
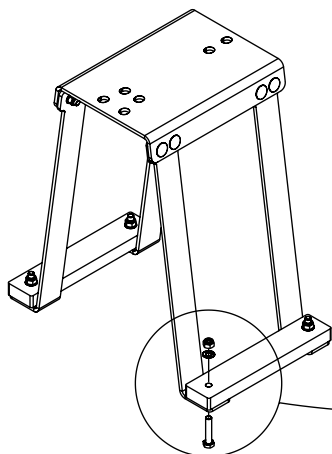
			HDPE
1x	SP3 _(K17)	1x	SP22
1x	SP1	1x	SP23-C1 _(C11)
2x	SP2	1x	SP23-C2 _(C12)
1x	V001		



K17

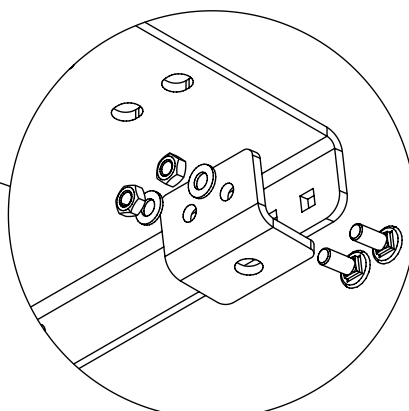
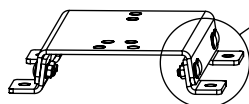


SP1 x1



SP3 x1

K3

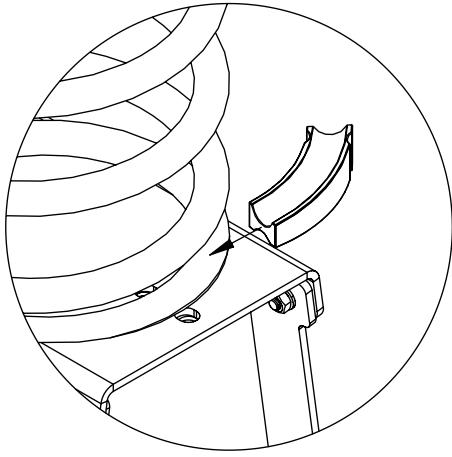


SP1 x1

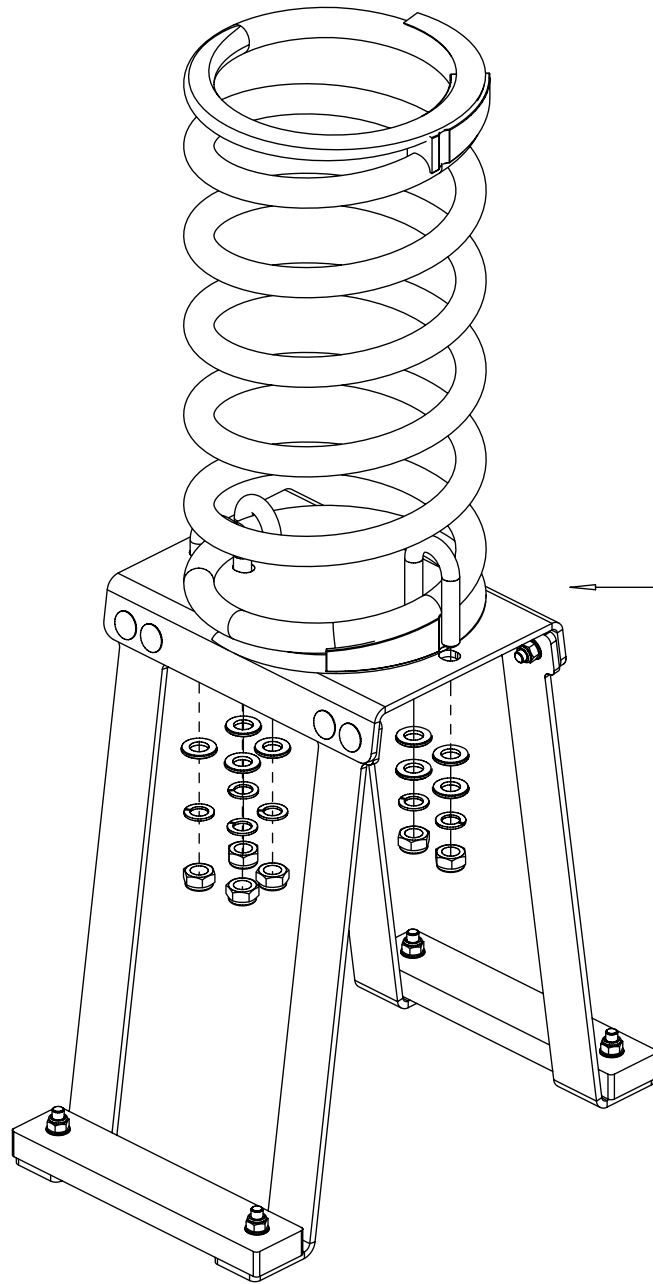
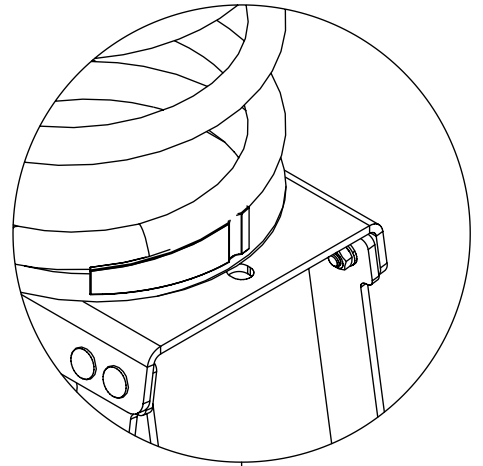
[cm]



vinci
play



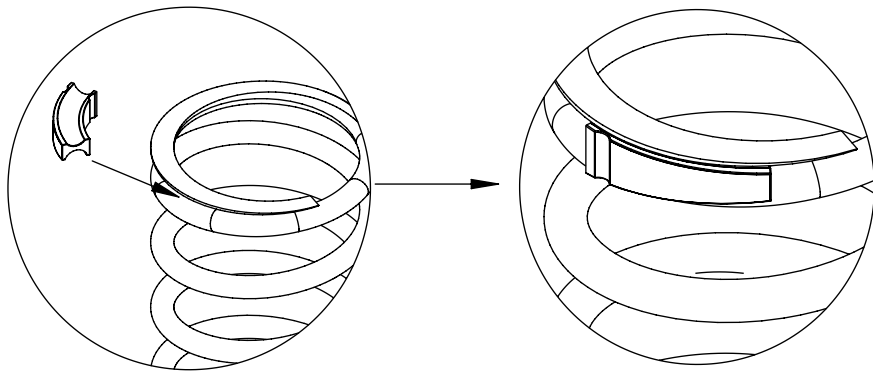
SP2 x1



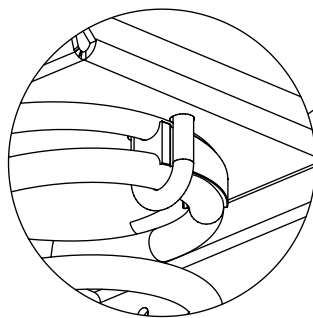
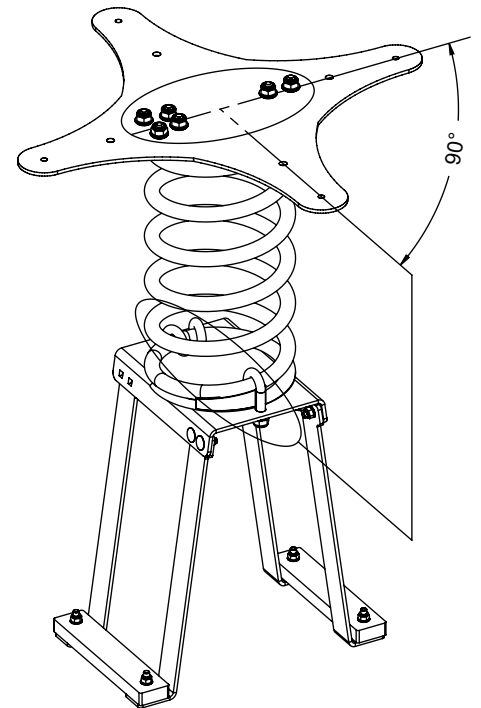
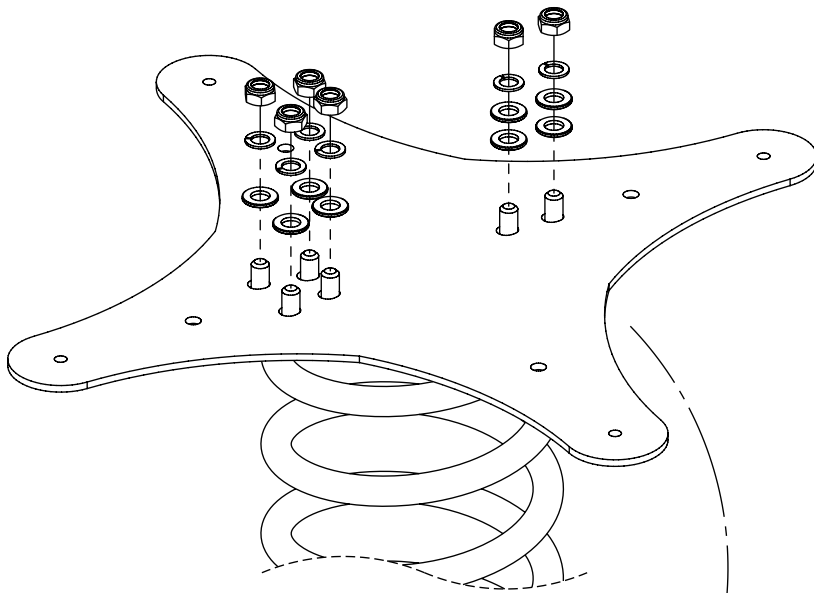
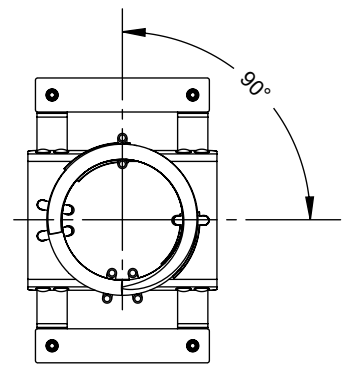
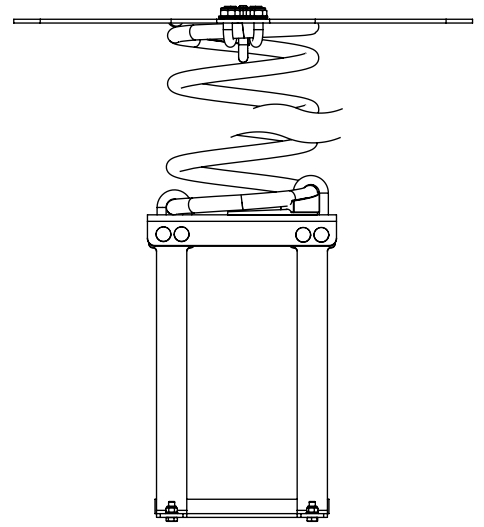
[cm]



vinci
play



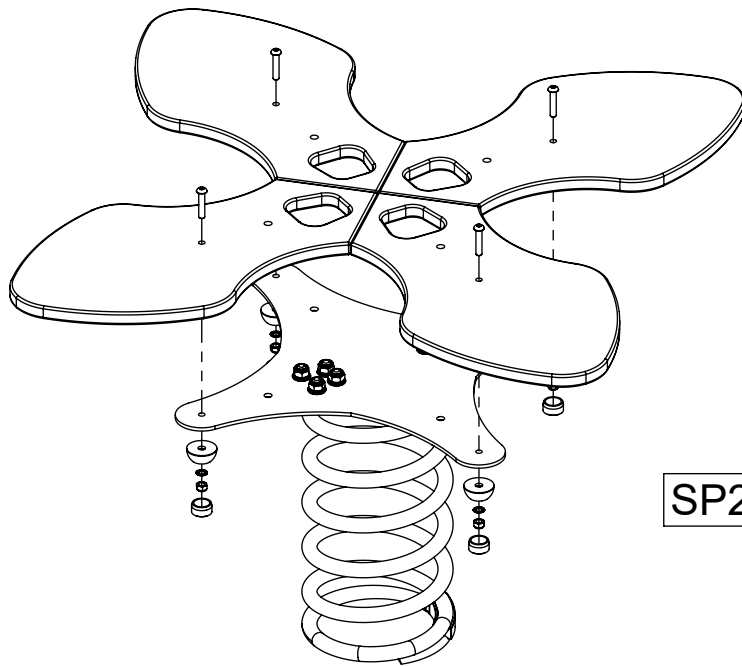
SP2 x1



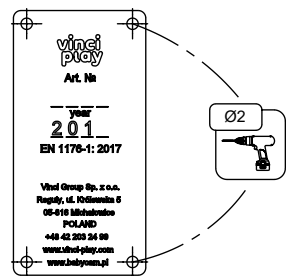
[cm]



vinci
play



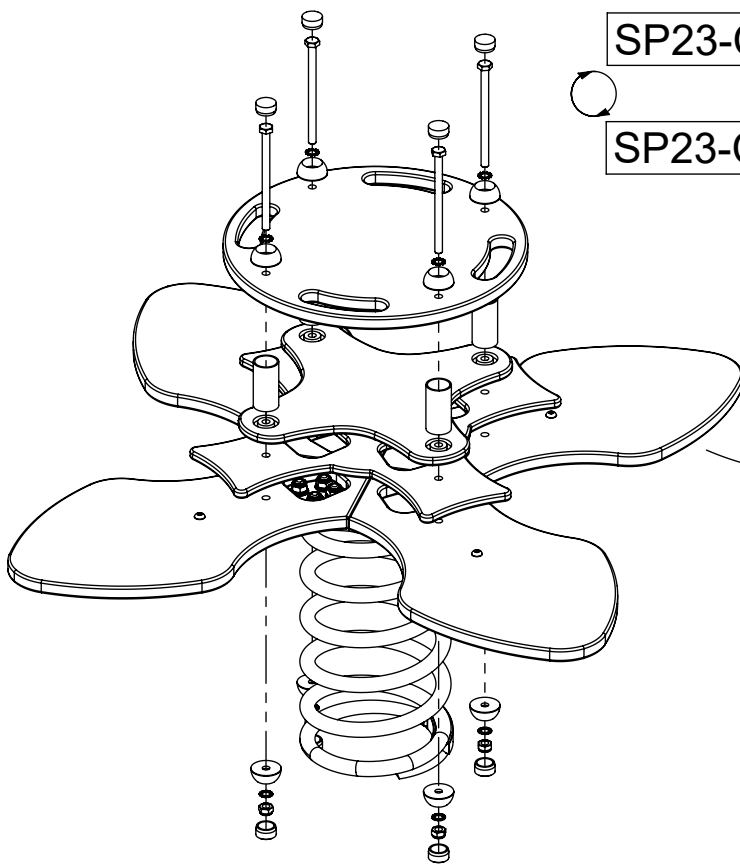
SP22 x1



V001

SP23-C1 x1
C11

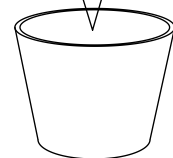
SP23-C2 x1
C12



Part No:
000000-
00000



000000-00000



[cm]

vinci
play