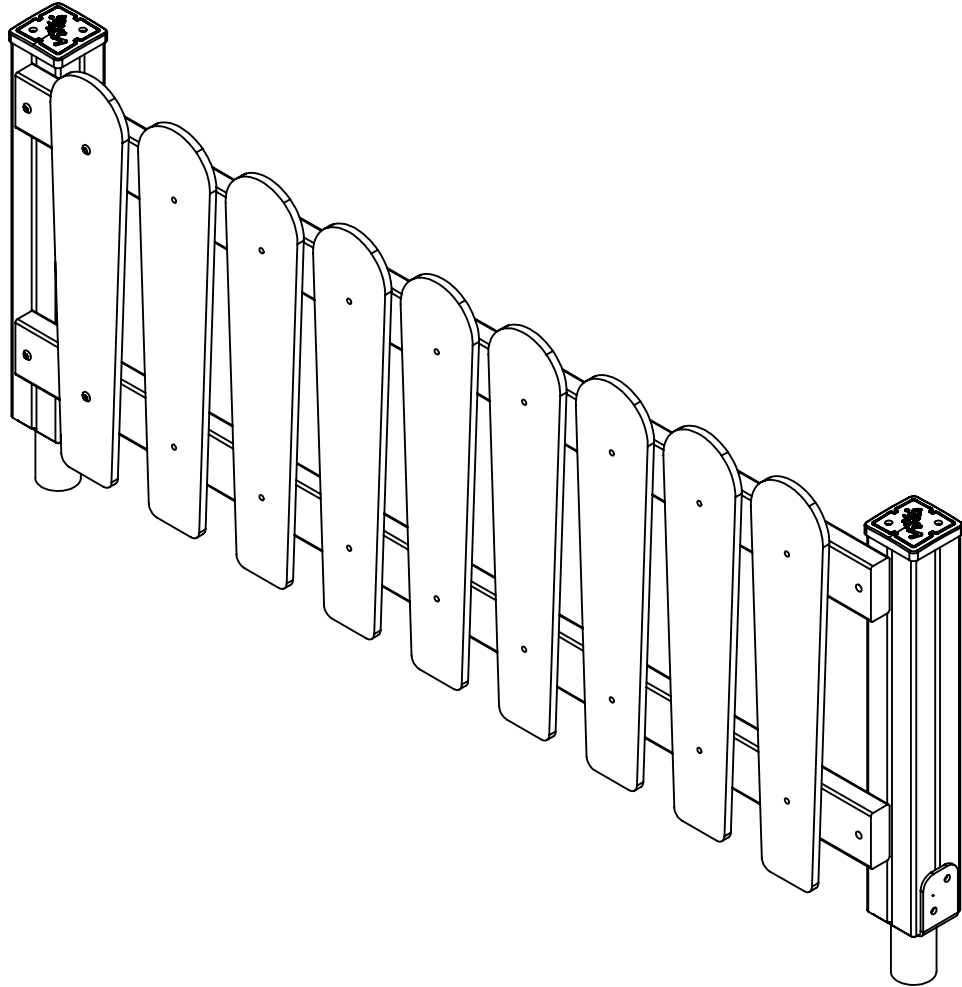


WD 1485

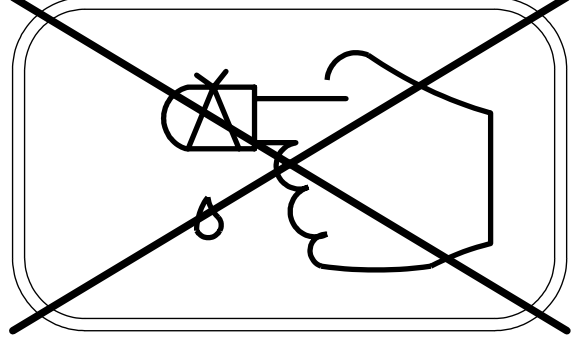
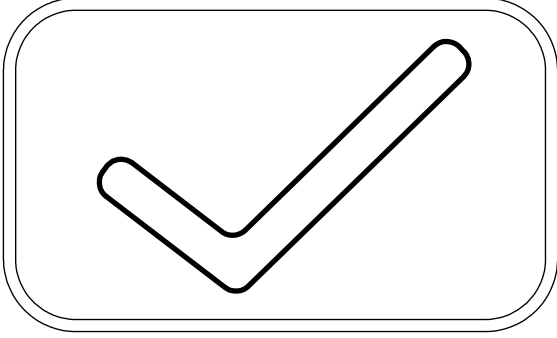
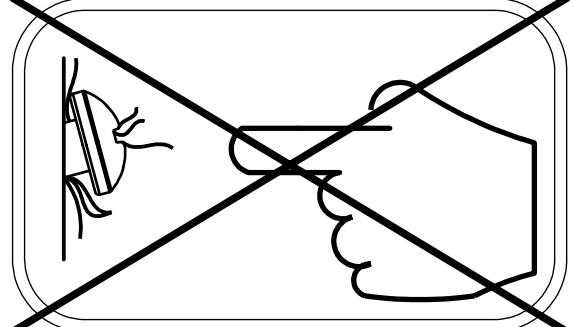
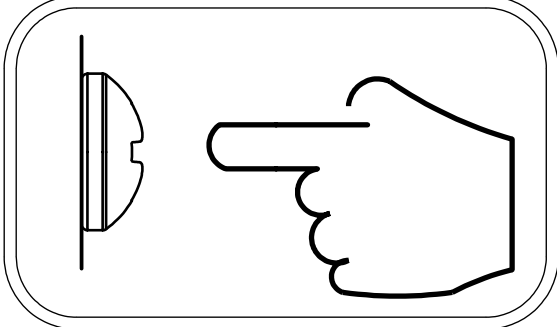
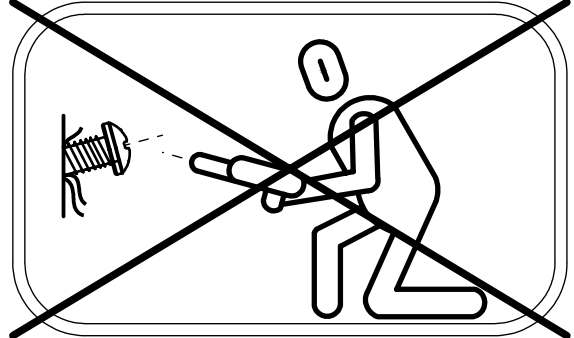
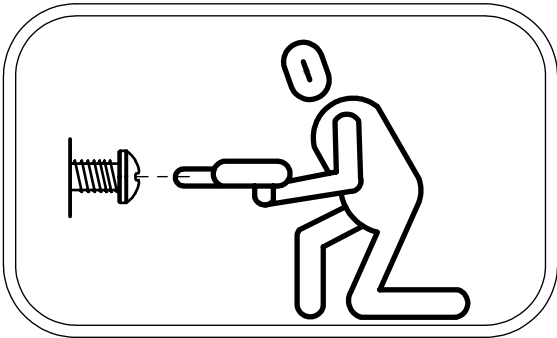


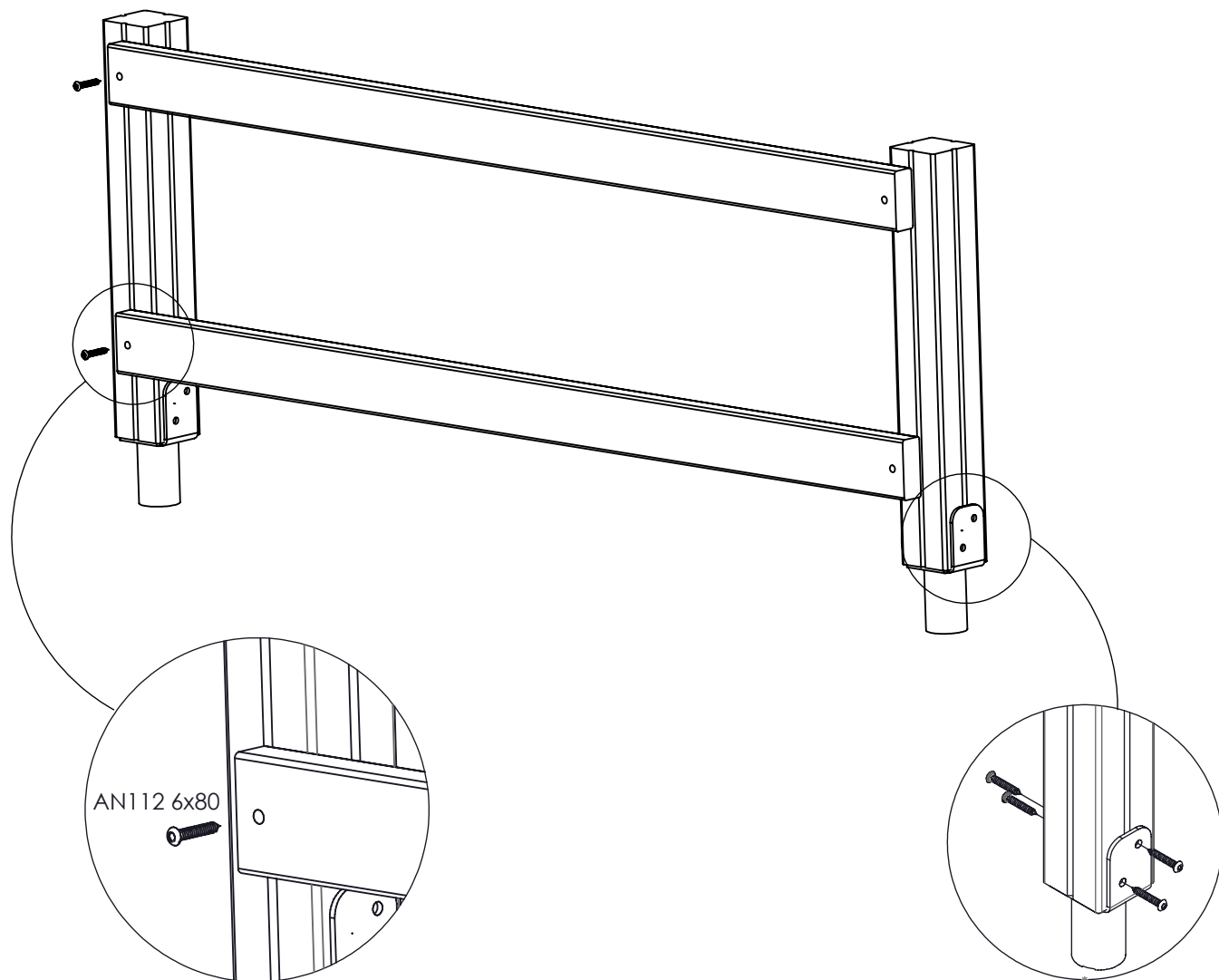
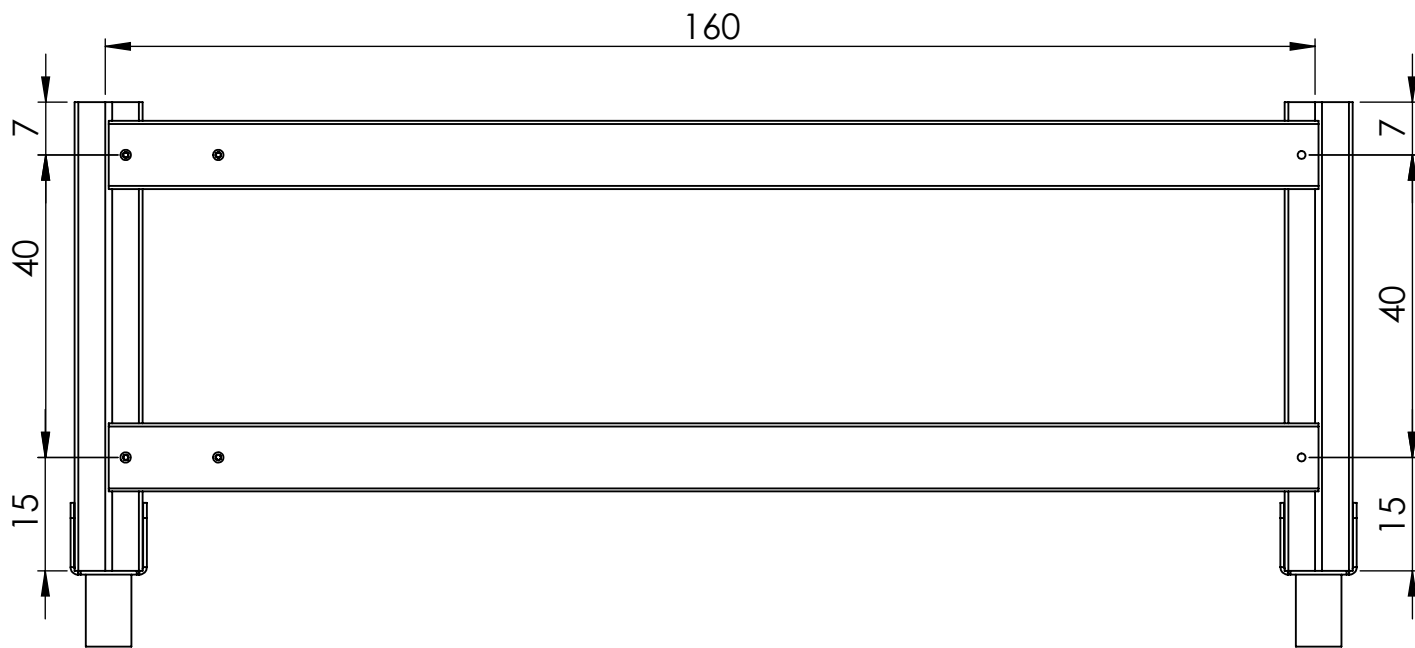
[cm]

v1/28.03.18



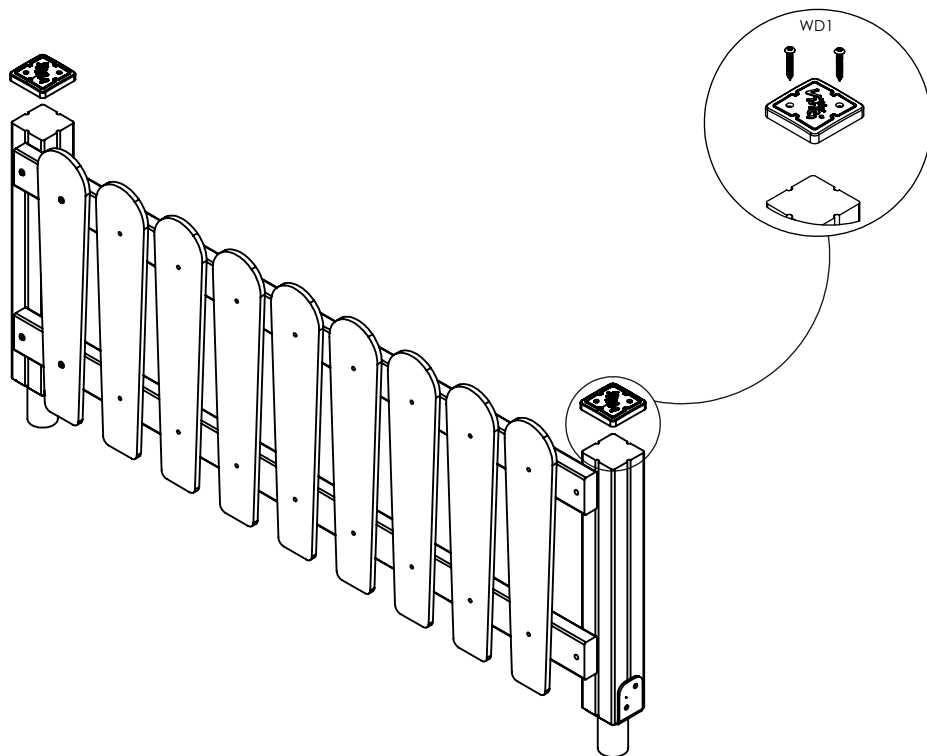
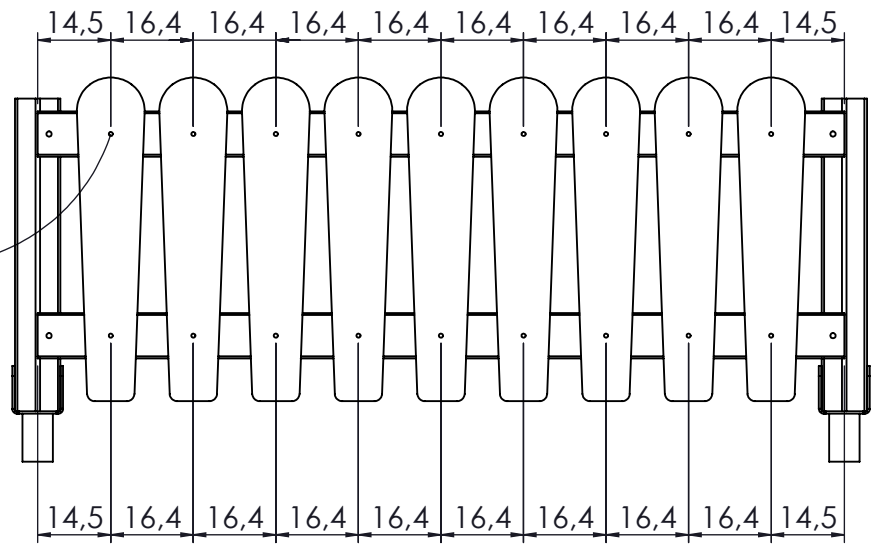
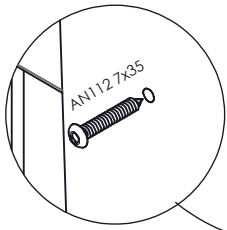
play
vinci





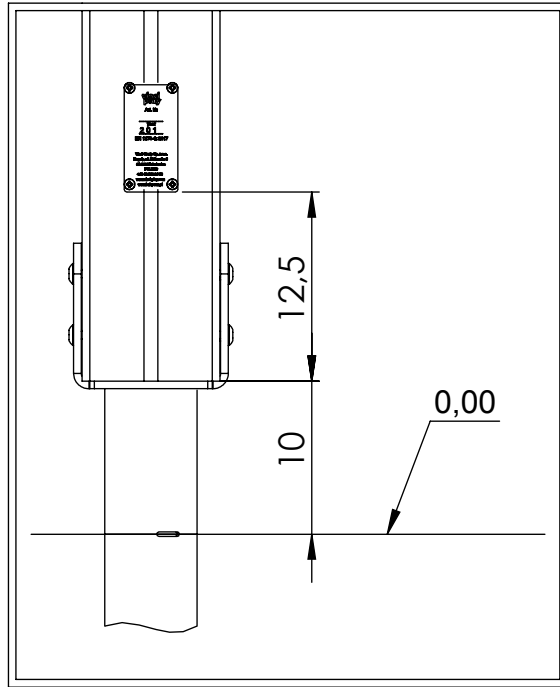
[cm]

play
Vinci



[cm]

play
vinci



V001



vinci
play

Art. №

— — — —
year

2 0 1

— — — —
EN 1176-1: 2017

Vinci Group Sp. z o.o.
Reguły, ul. Królewska 5
05-816 Michałowice
POLAND

+48 42 203 24 99

www.vinci-play.com

www.babycam.pl

vinci play