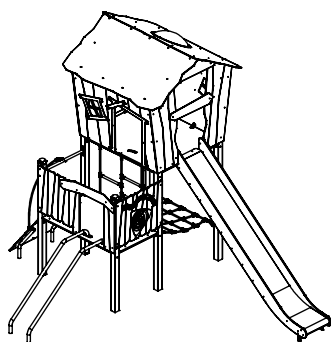
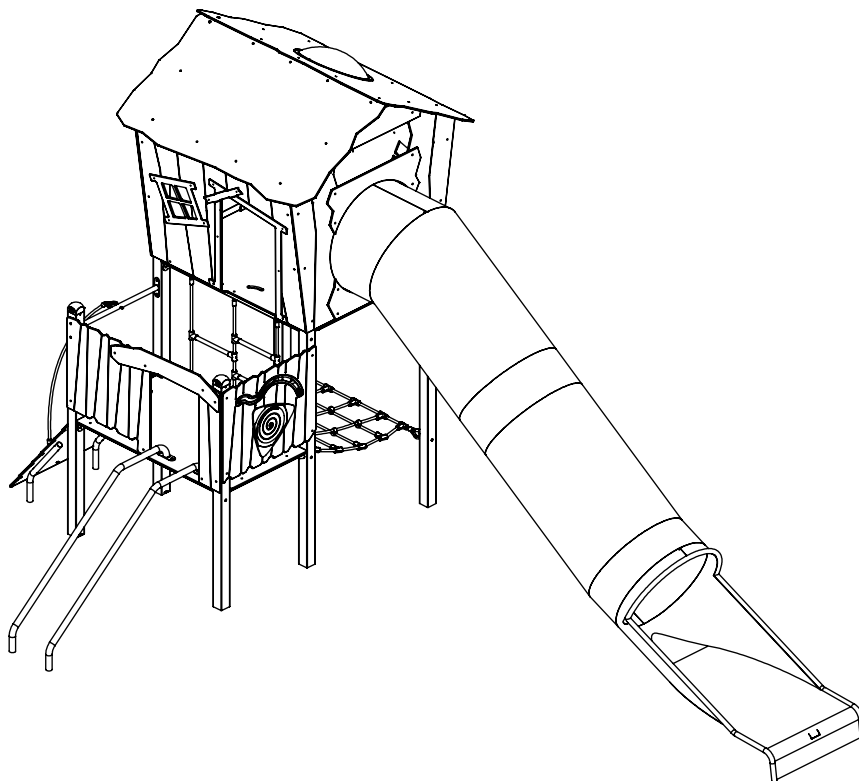
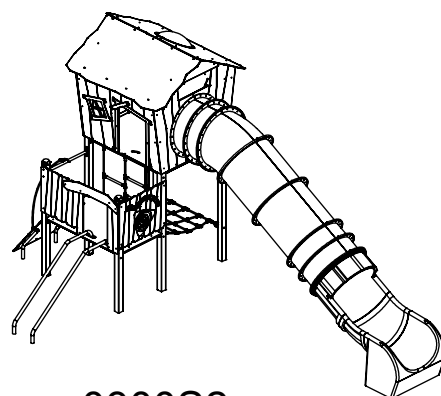


# 0300



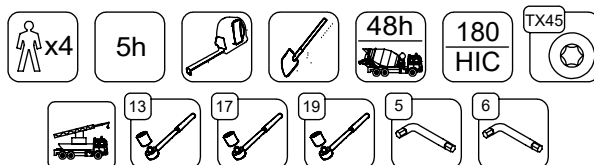
0300S1



0300S2

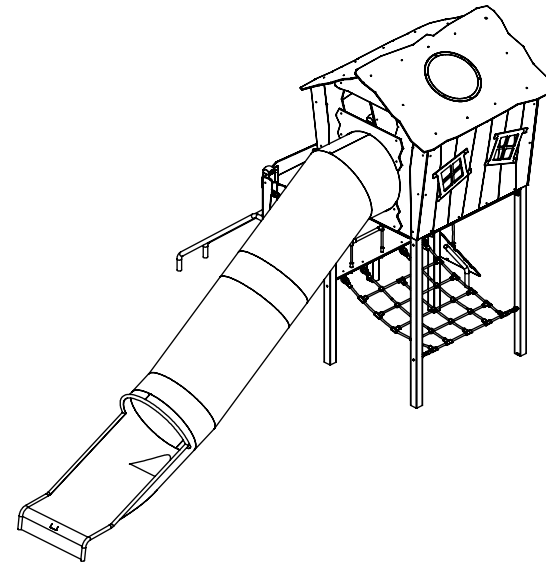
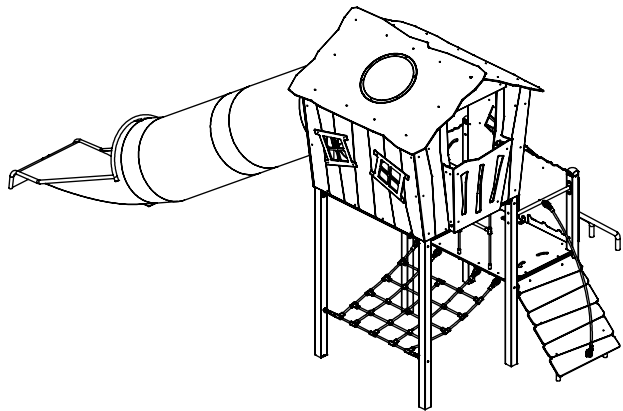
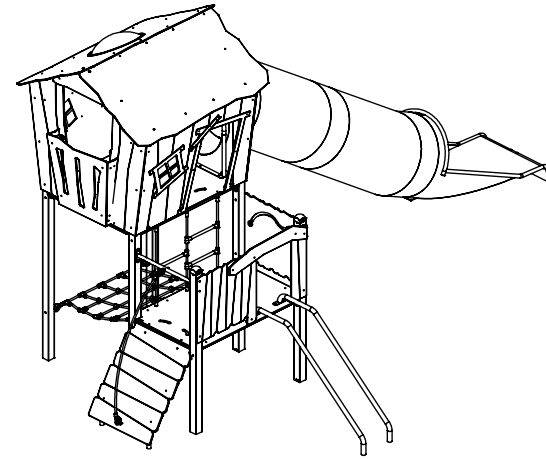
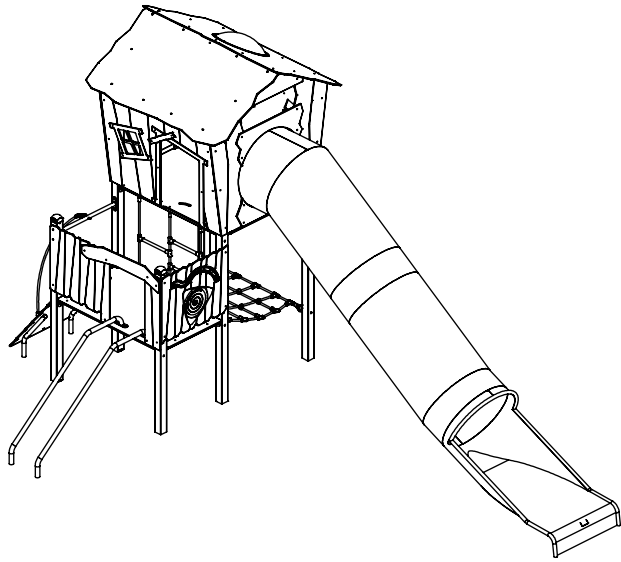
[cm]

v016  
01.12.2021  
A. D.



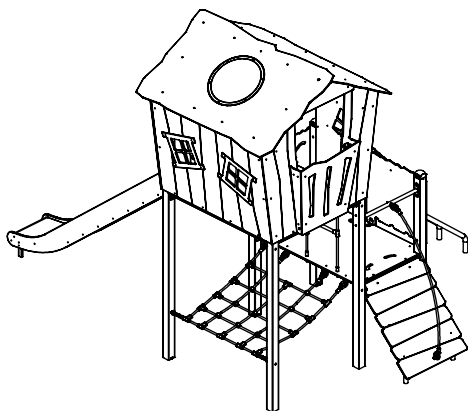
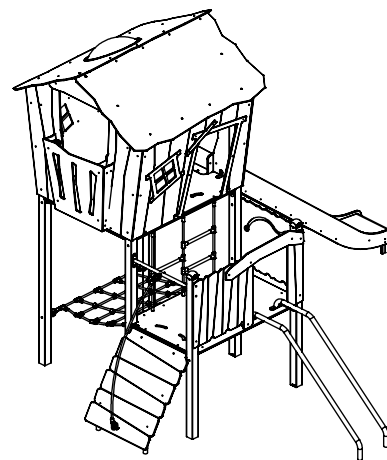
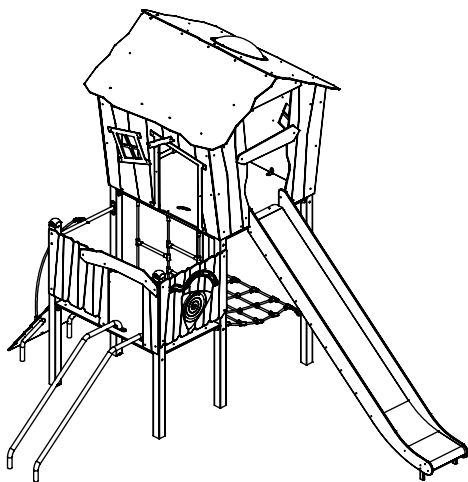
vinci  
play

0300



[cm]

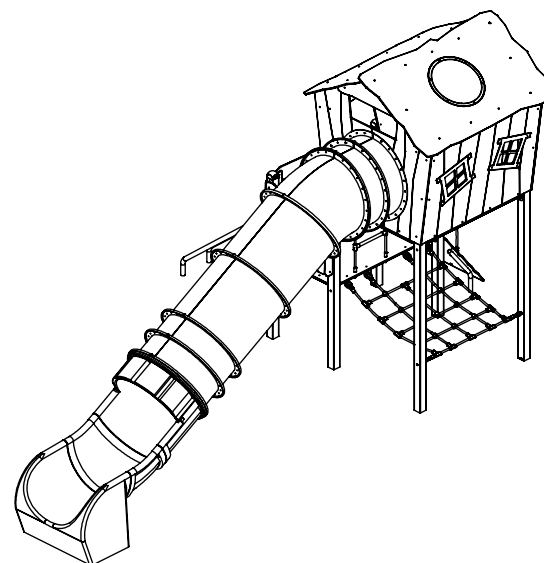
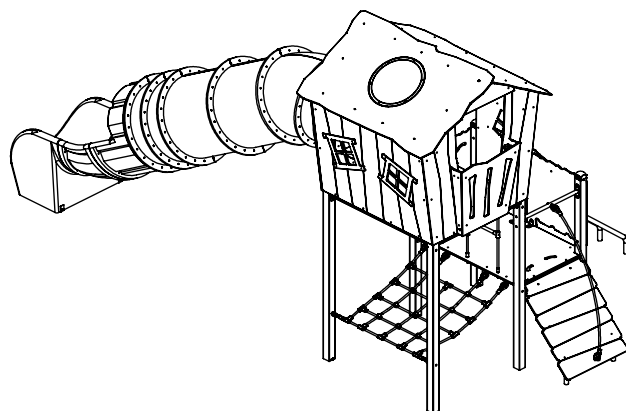
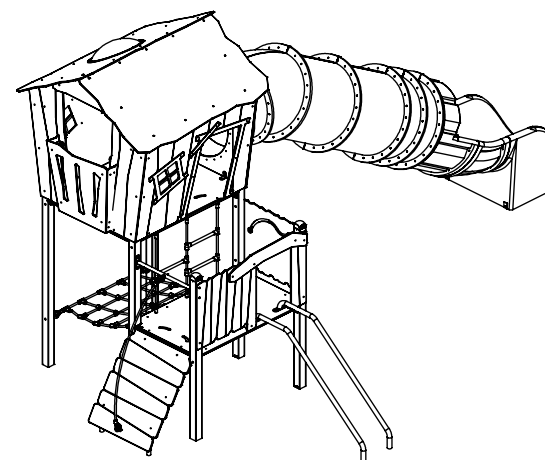
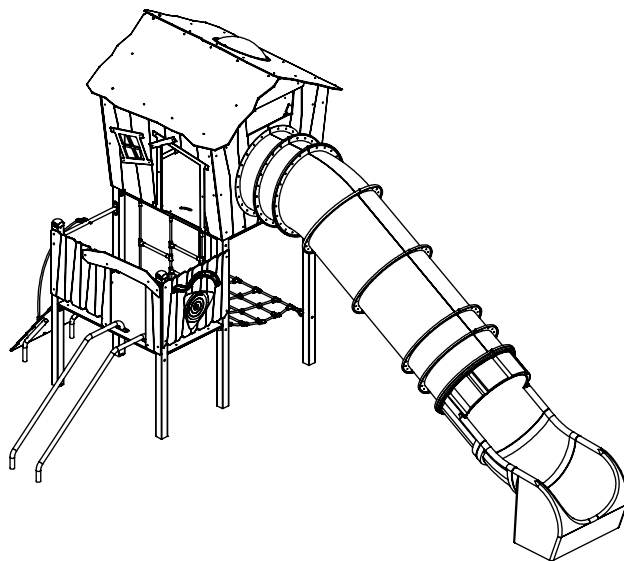
0300S1



[cm]

vinci  
play

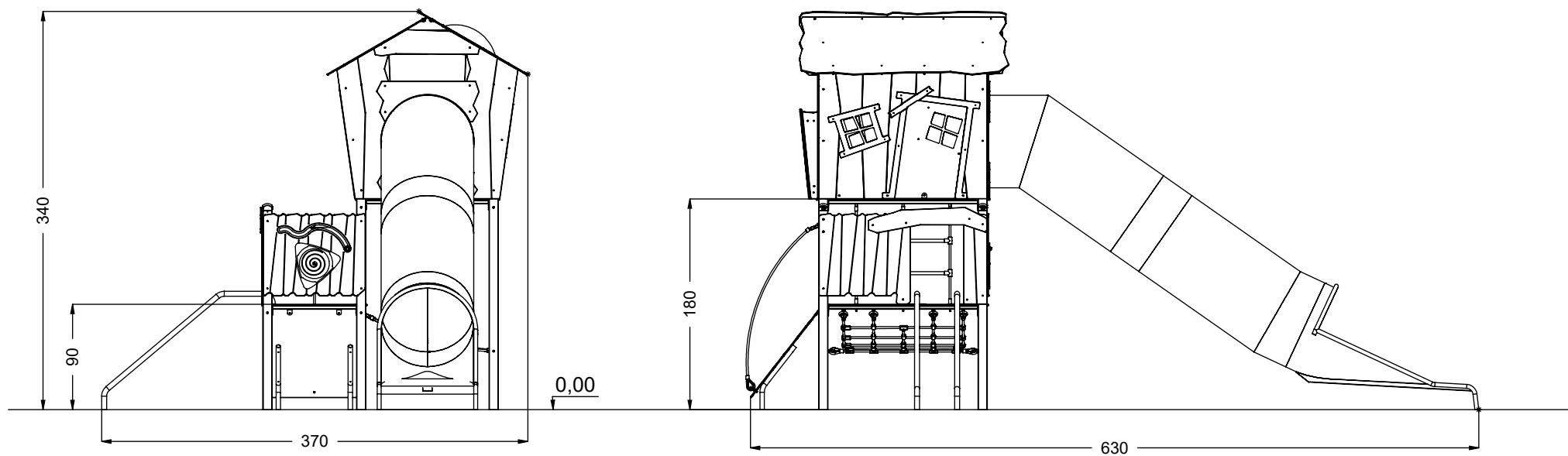
0300S2



[cm]

vinci  
play

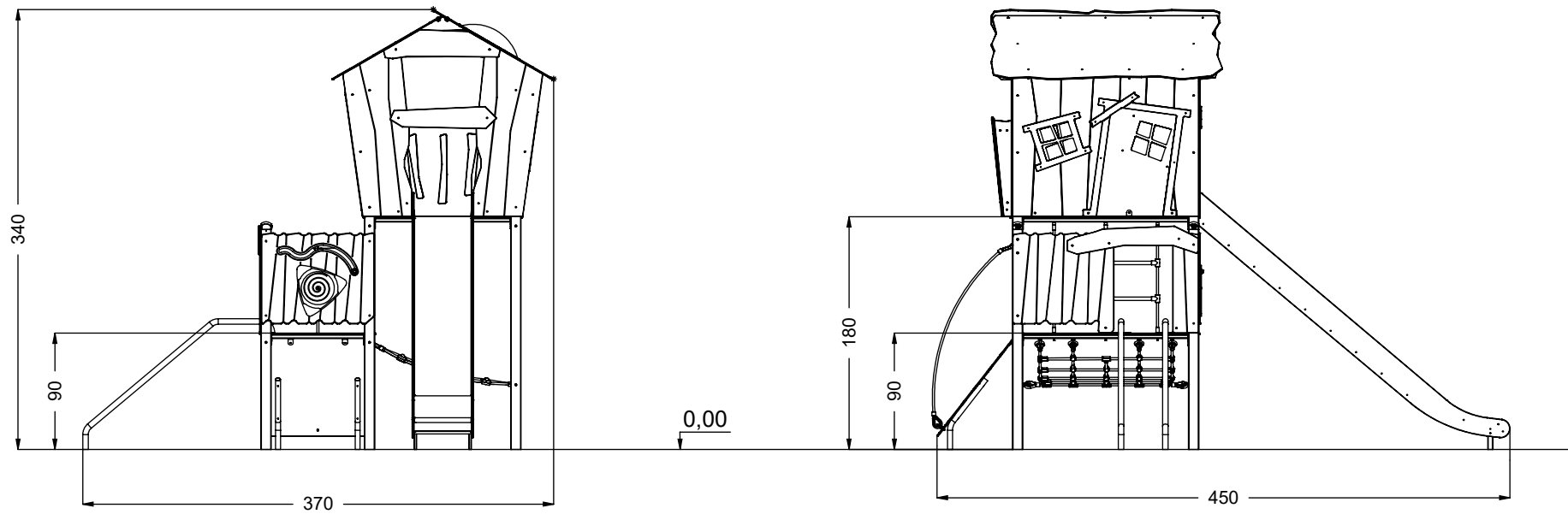
0300



[cm]

vinci  
play

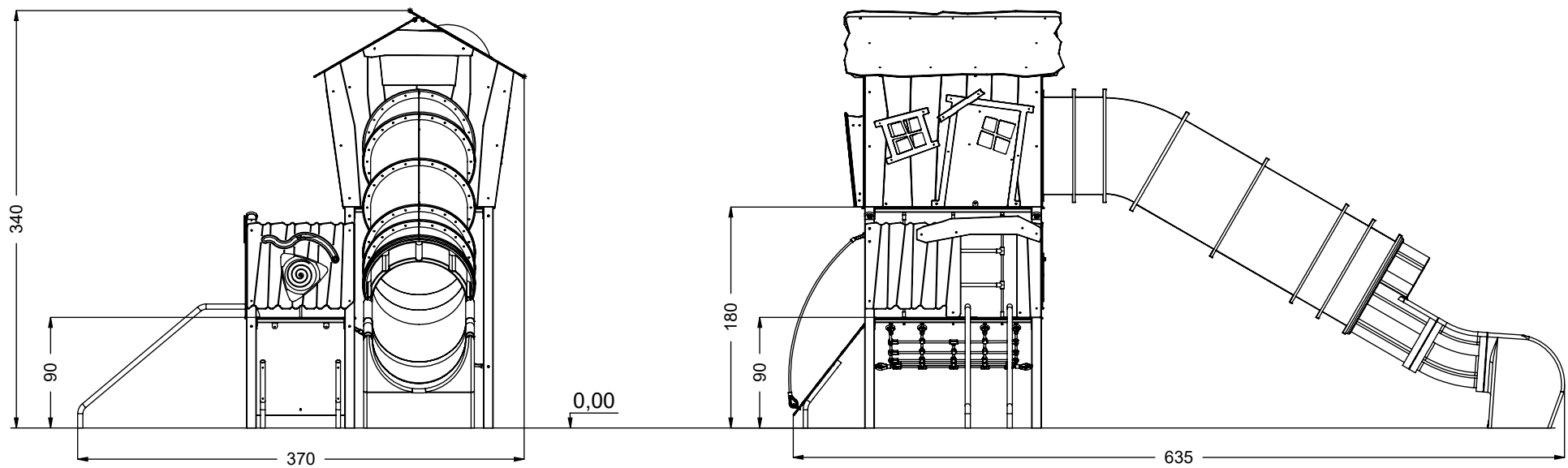
0300S1



[cm]

vinci  
play

0300S2



[cm]

vinci  
play

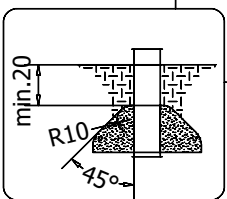
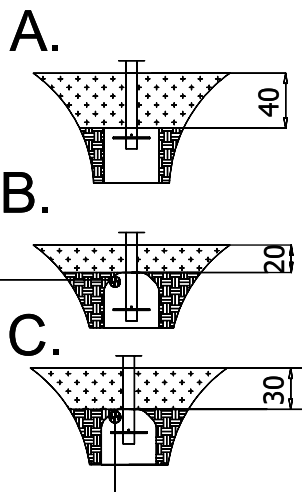
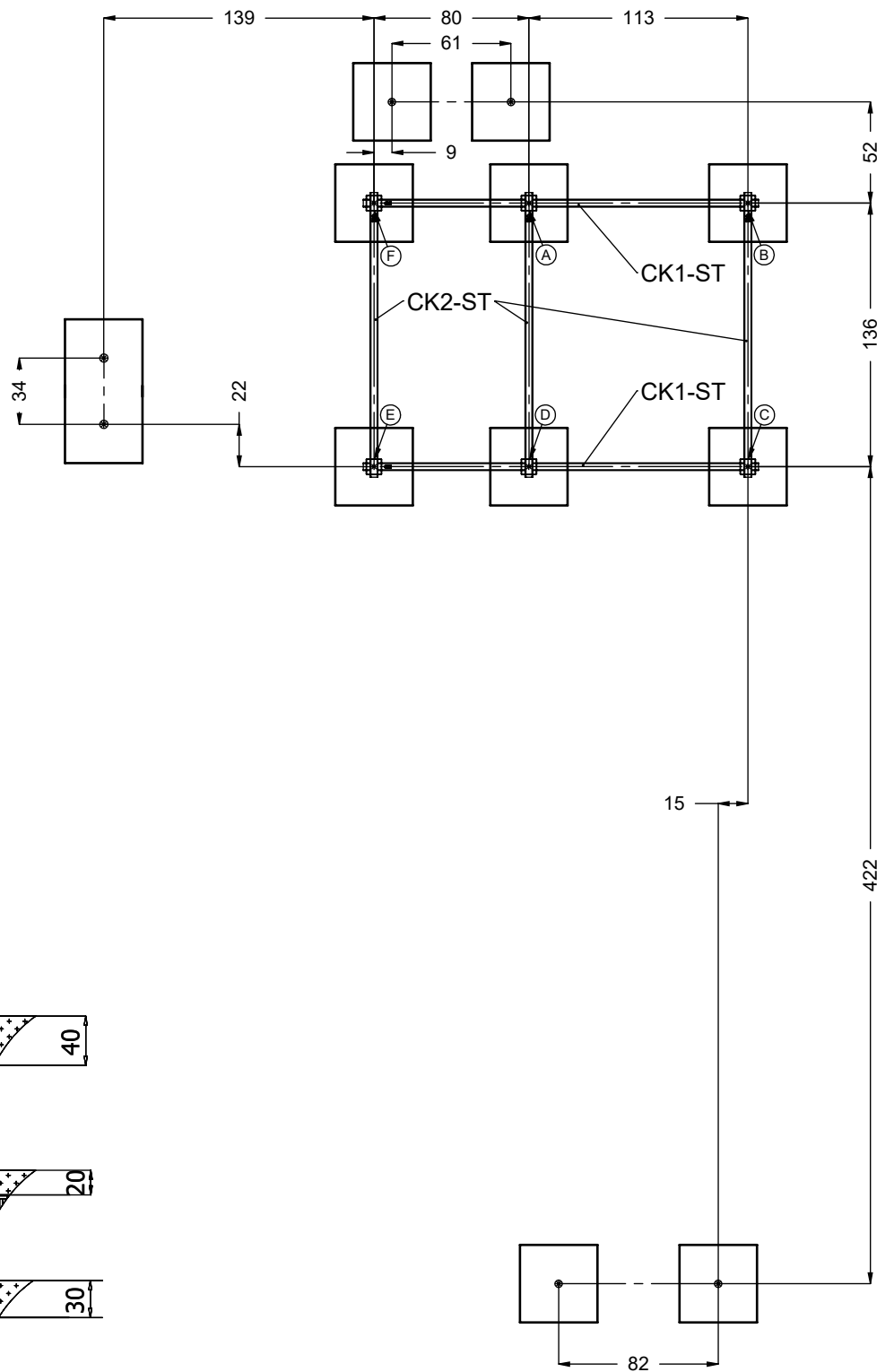
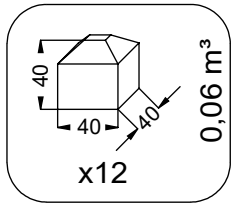
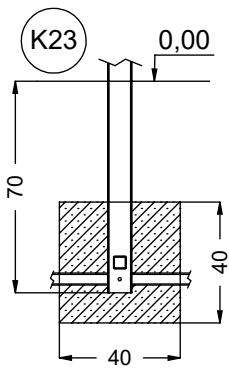








0300



[cm]

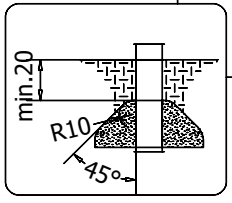
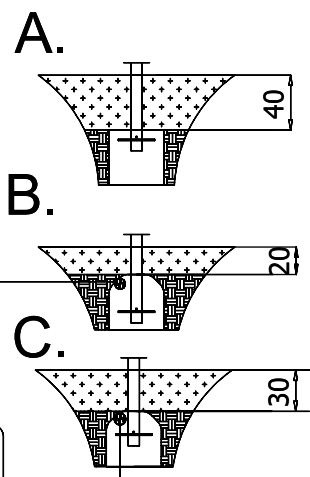
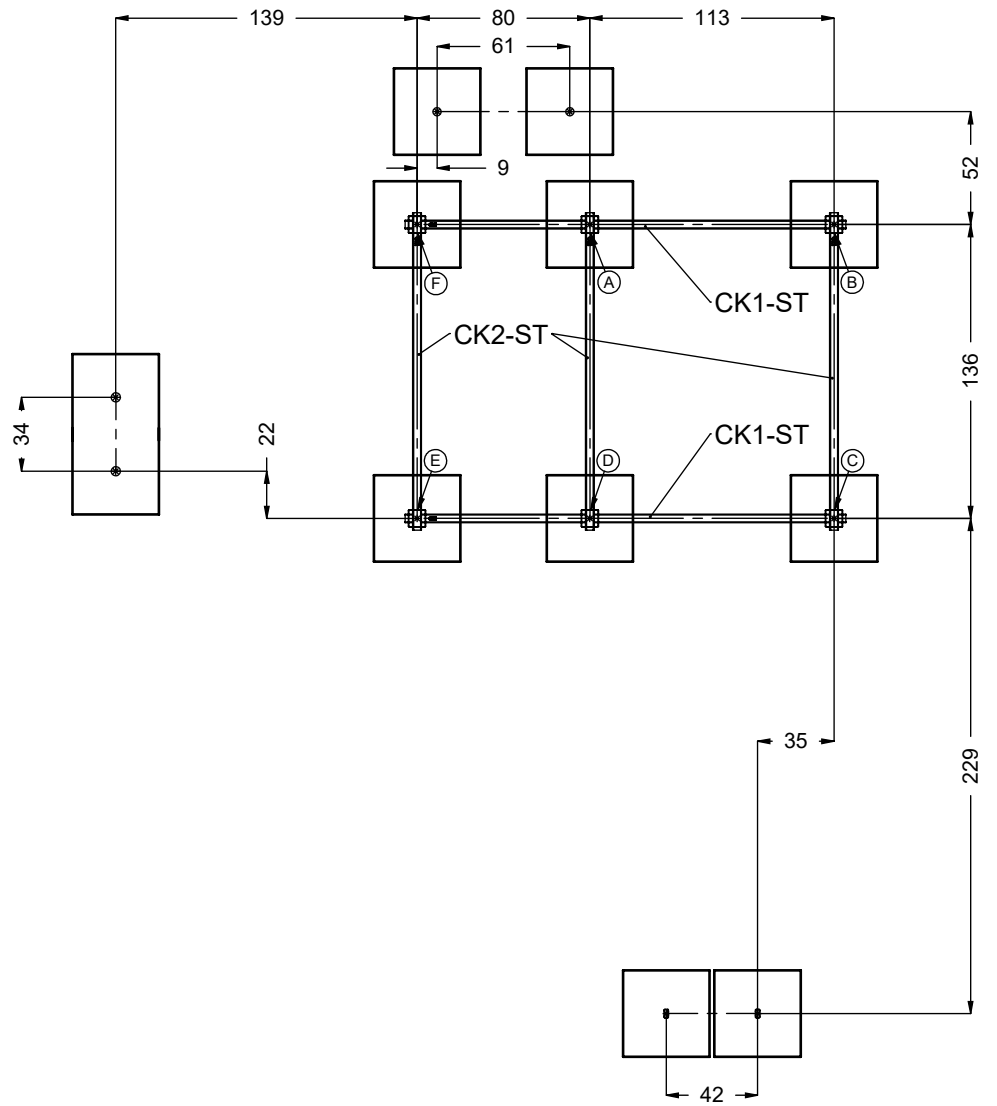
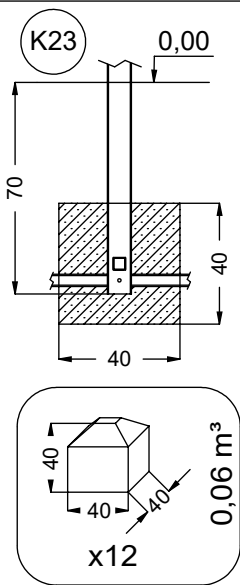


5h



vinci play

# 0300S1

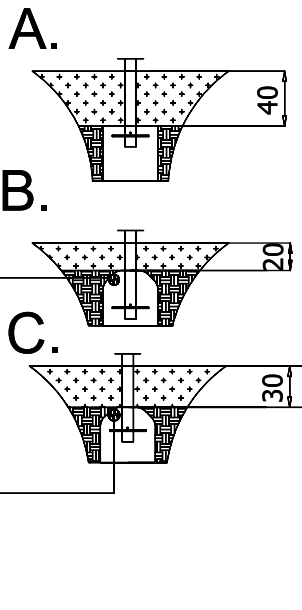
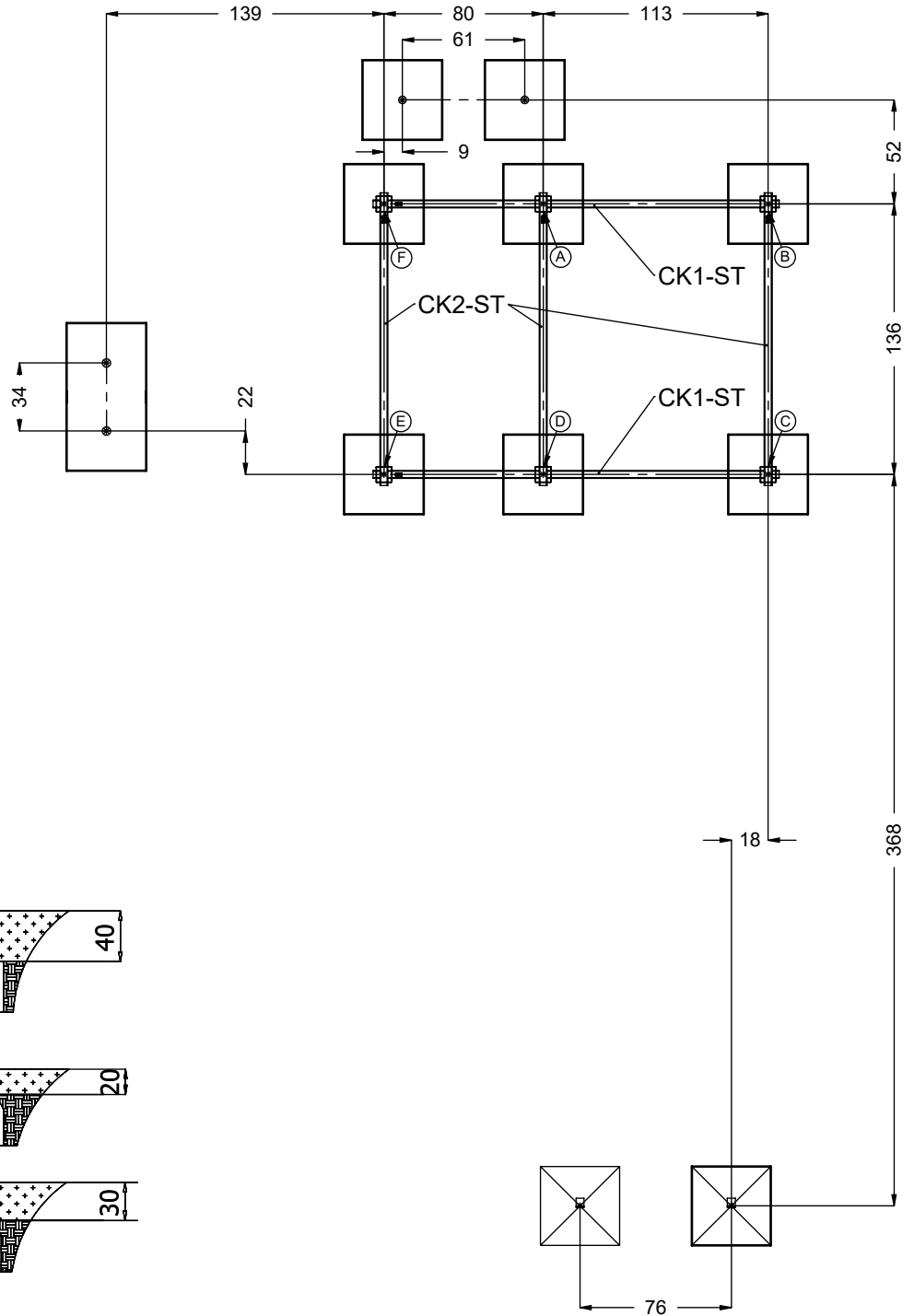
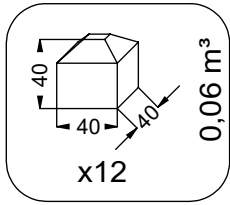
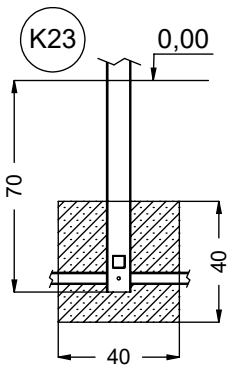


[cm]

x4   
 5h   
   
   
 48h   
 K23 x12 >0.06m³

vinci play

# 0300S2



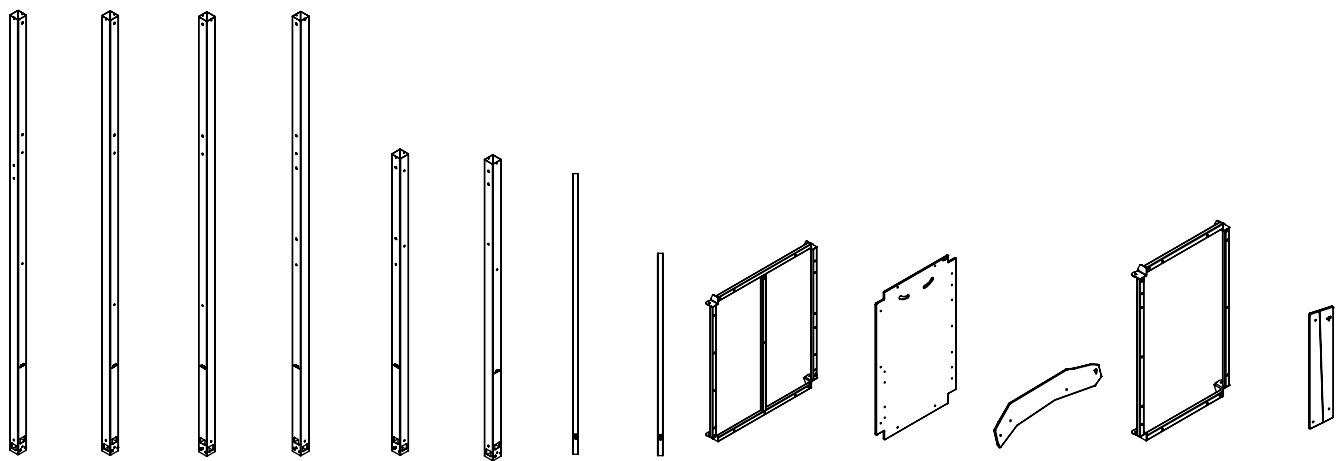
[cm]



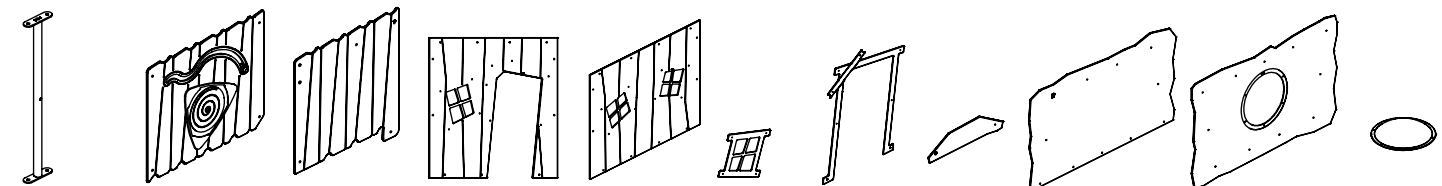
5h



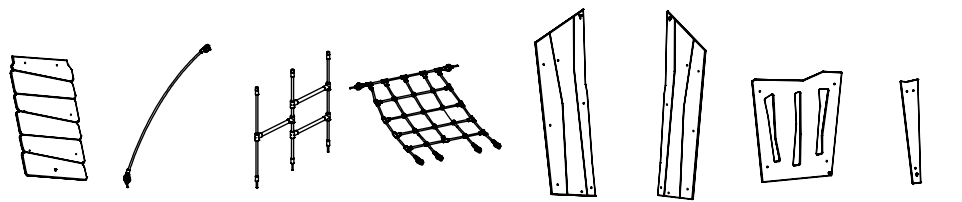
vinci  
play



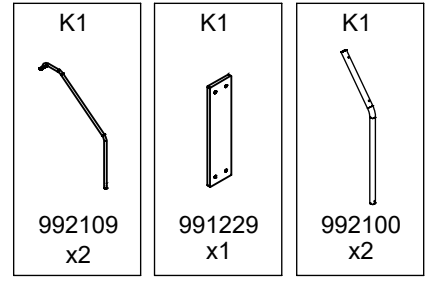
0300A x1 0300B x1 0300C x1 0300D x1 0300E x1 0300F x1 CK1 x2 CK2 x3 032143 x1 031117 x1 031121 x1 032145 x1 031247 x1



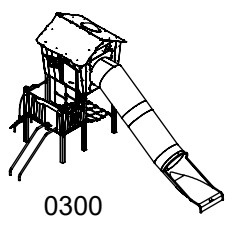
022103 x1 034153 x1 031120 x1 031100 x1 031101 x1 031110 x3 031112 x1 031113 x2 031103 x1 031102 x1 996184 x1



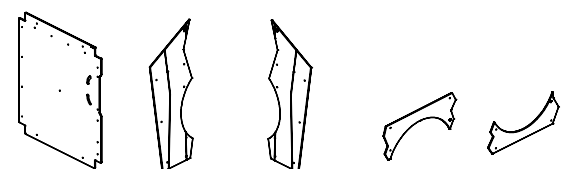
031130 x1 035105 x1 035101 x1 035102 x1 031122 x1 031123 x1 031281 x1 031280 x2



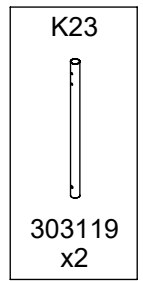
K1 992109 x2 K1 991229 x1 K1 992100 x2



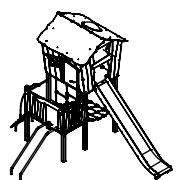
0300



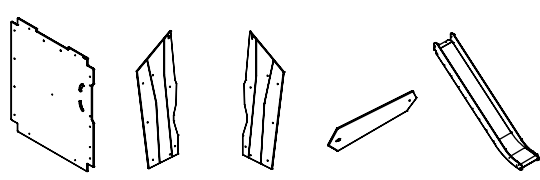
031116 x1 031124 x1 031125 x1 031114 x1 031115 x1 030.180.000.F.35 x1



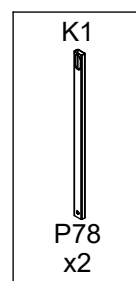
K23 303119 x2



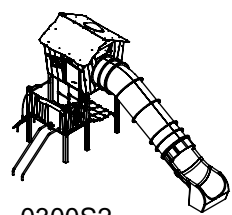
0300S1



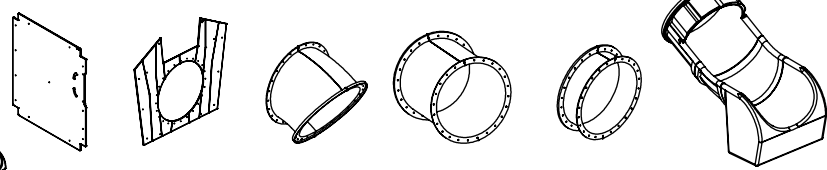
031132 x1 031126 x1 031127 x1 031150 x1 994137 x1



K1 P78 x2



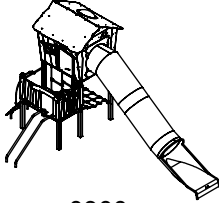
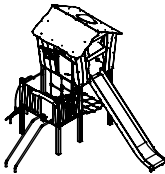
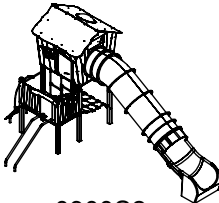
0300S2

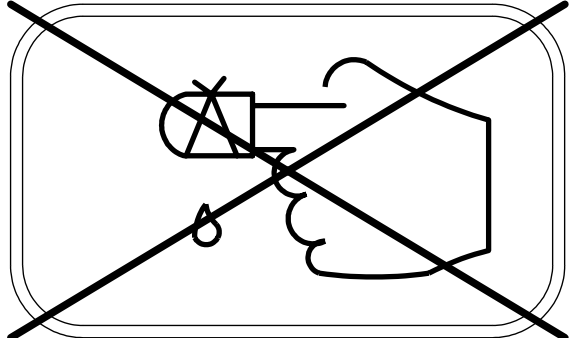
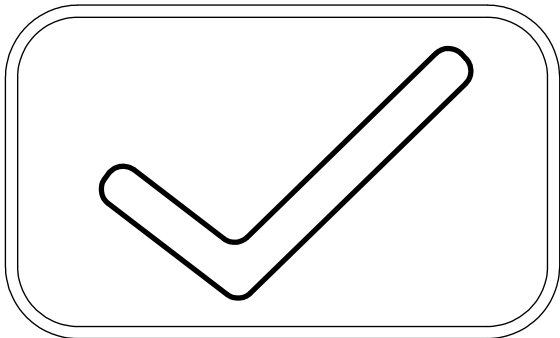
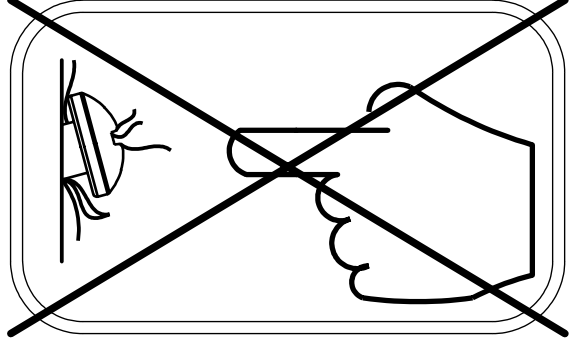
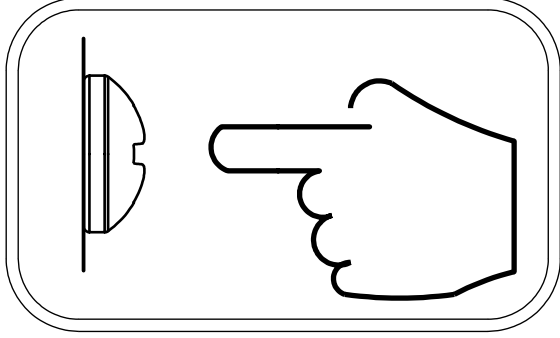
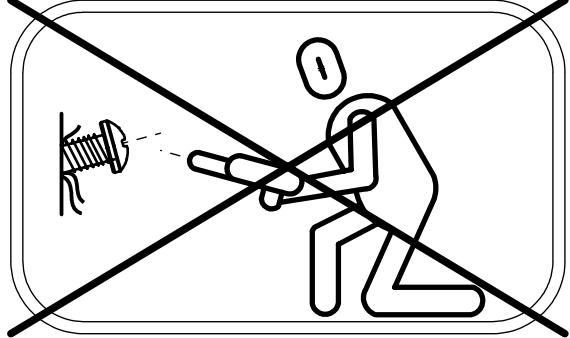
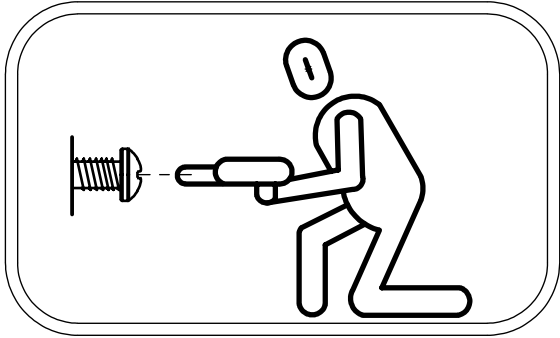


031158 x1 031277 x1 996420 x1 996421 x2 996419 x4 996422 x1 996429 x2

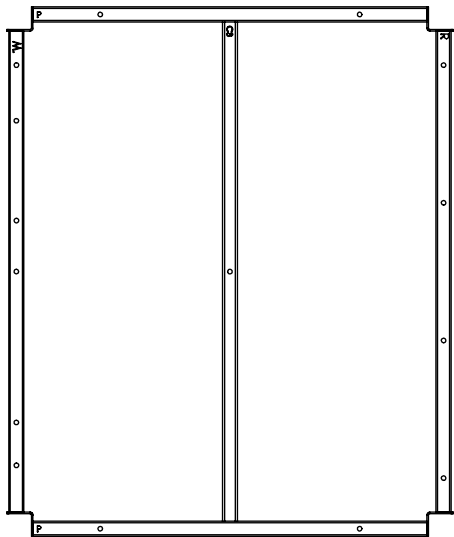
[cm]

1 x CR45	3 x CR91
2 x CR68	2 x CR98
3 x CR1	1 x CR87 (C9H)
5 x CR2	1 x CR25
1 x CR3	1 x CR33
1 x CR4	1 x CR34
2 x CR7	1 x CR36
1 x CR8	1 x CR37
2 x CR10	2 x CR40
1 x CR11	1 x CR43
1 x CR12	1 x E7
2 x CR14	1 x CR107 (C9H)
2 x CR15	1 x E44 (K1)
1 x CR17	1 x CR99
2 x CR18	1 x V001
8 x CR20	1 x CR23 (C5H)
1 x CR24	1 x CR113
1 x CL9	
1 x CR108 (C5H)	

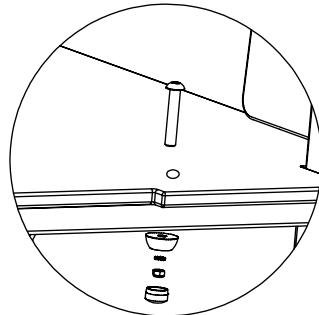
		
0300	0300S1	0300S2
1 x CR45 (S3)	1 x CR24 (C9H)	1 x 30e092
1 x CR8	1 x CR29 (S1)	6 x 30e090
1 x 30e010	1 x CR89 (S6)	1 x CR7
4 x CR24 (C9H)	1 x E34 (K1)	1 x 30e091
4 x CR22 (C5H)	1 x CR7	1 x 30c157
	1 x CR18	1 x CR18
	1 x CR22 (C5H)	2 x M816ikl



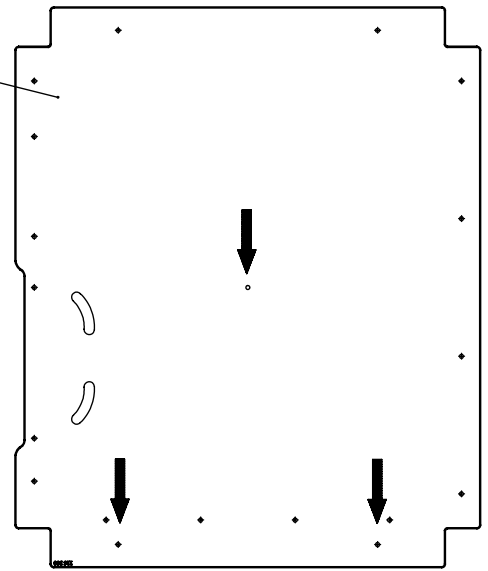




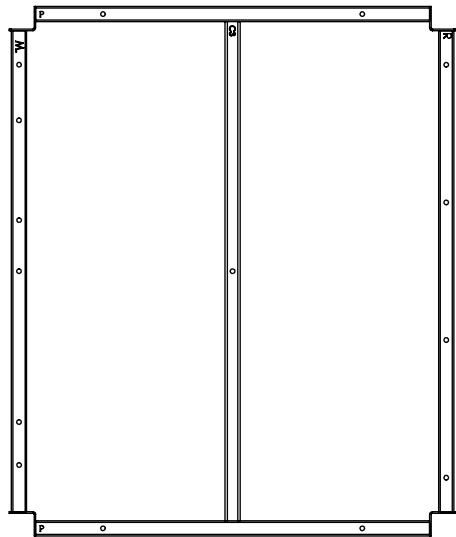
031116



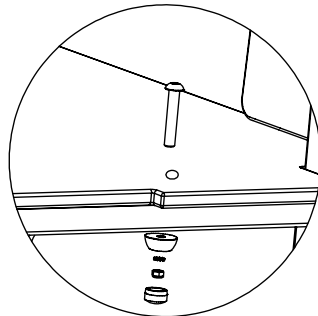
1 x CR45 (S3)  
1 x CR68



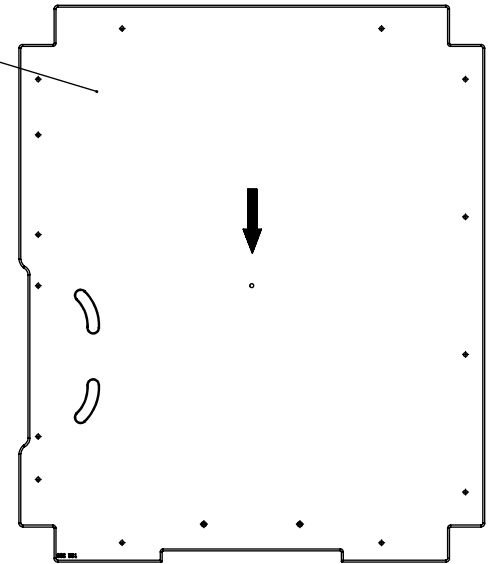
0300



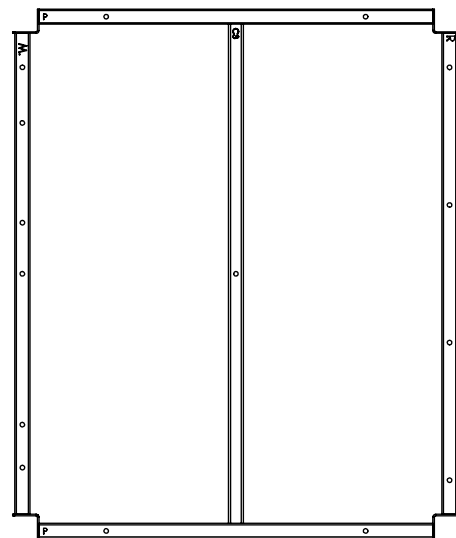
031132



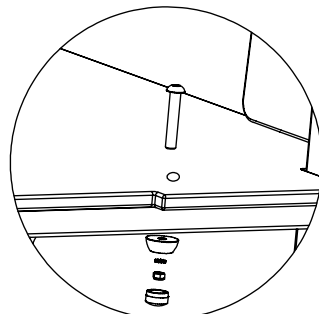
1 x CR68



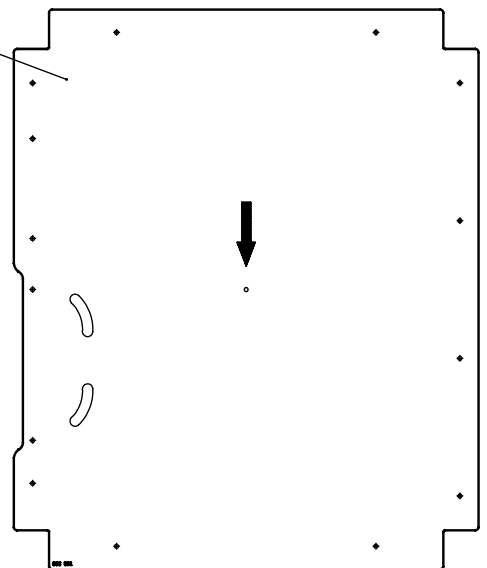
0300S1



031158



1 x CR68

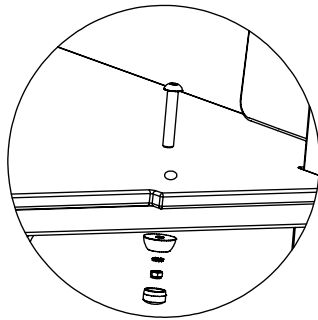
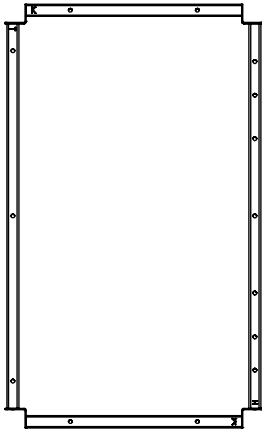


0300S2

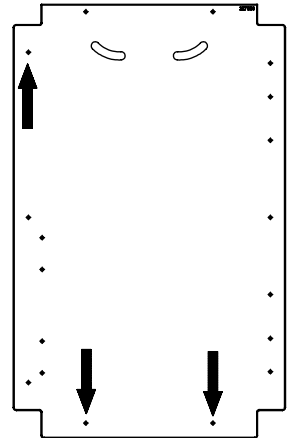
[cm]



vinci  
play



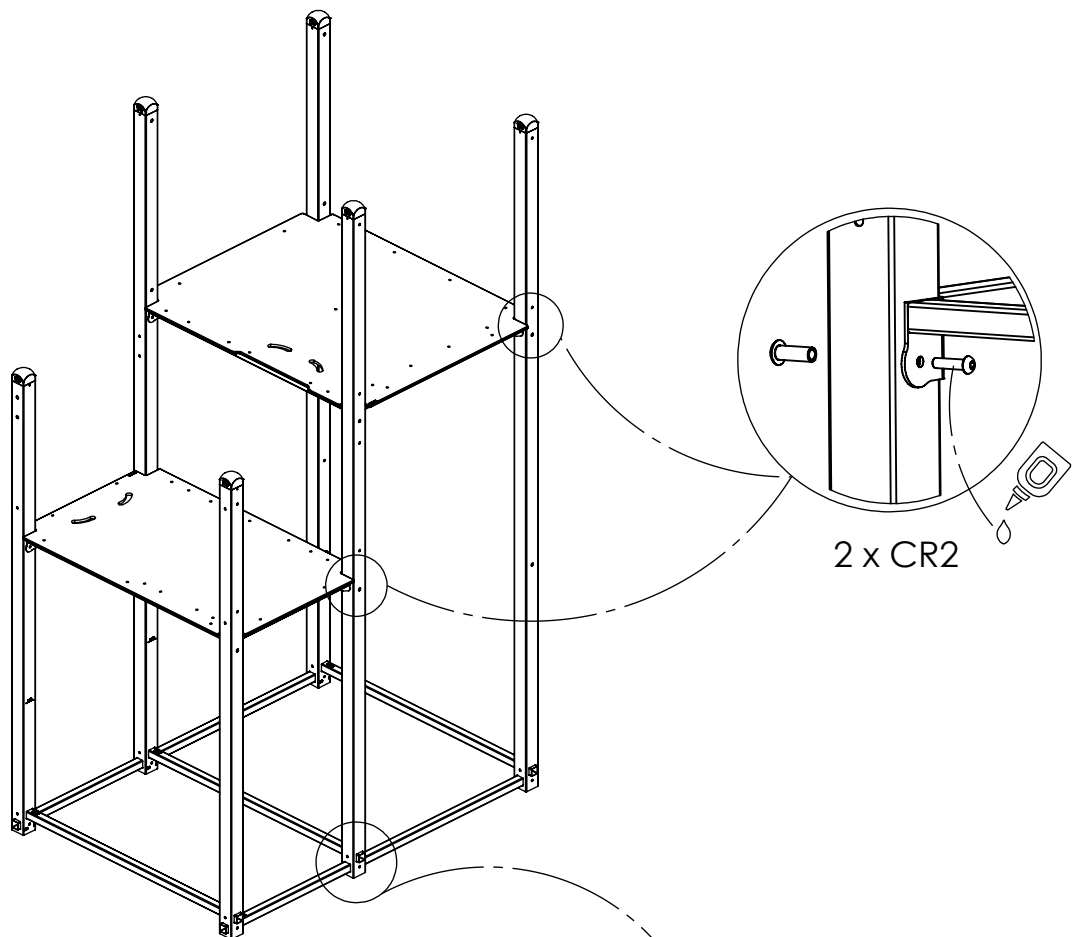
1 x CR45  
1 x CR68



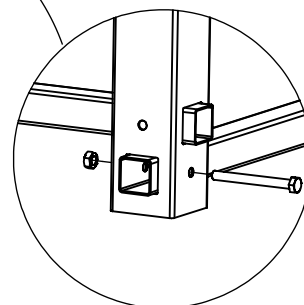
[cm]



vinci  
play



2 x CR2

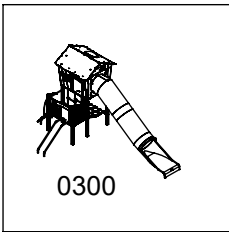


3 x CR1

[cm]

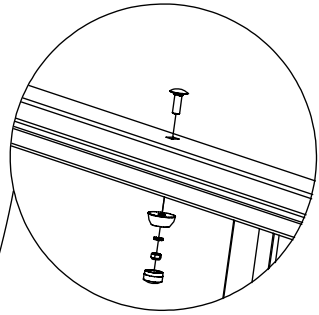


vinci  
play



1 x CR4

1 x CR3

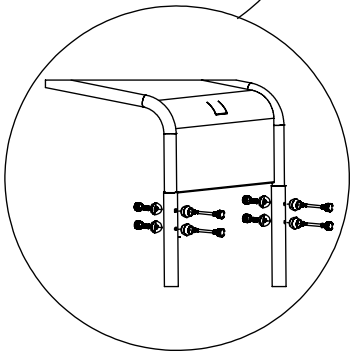


1 x CR8

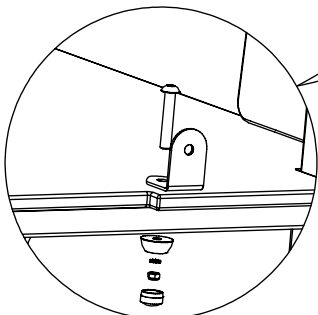
031116

030.180.000.F.35  
1x

303119 (K23)  
2x



1 x 30e010

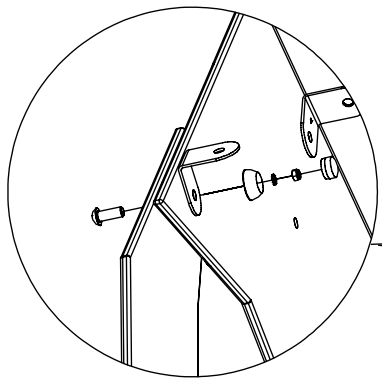
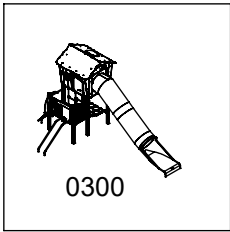


1 x CR7

[cm]



vinci  
play



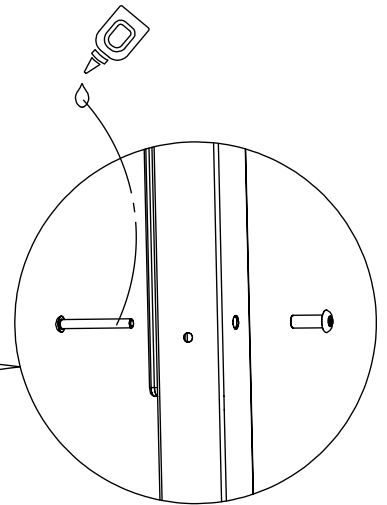
1 x CR10

031125

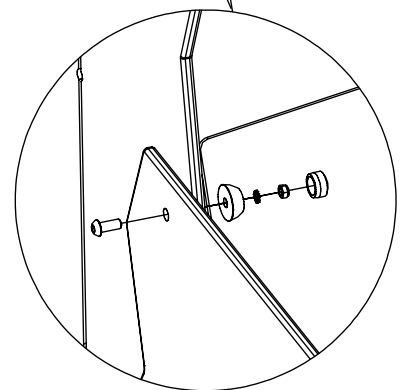
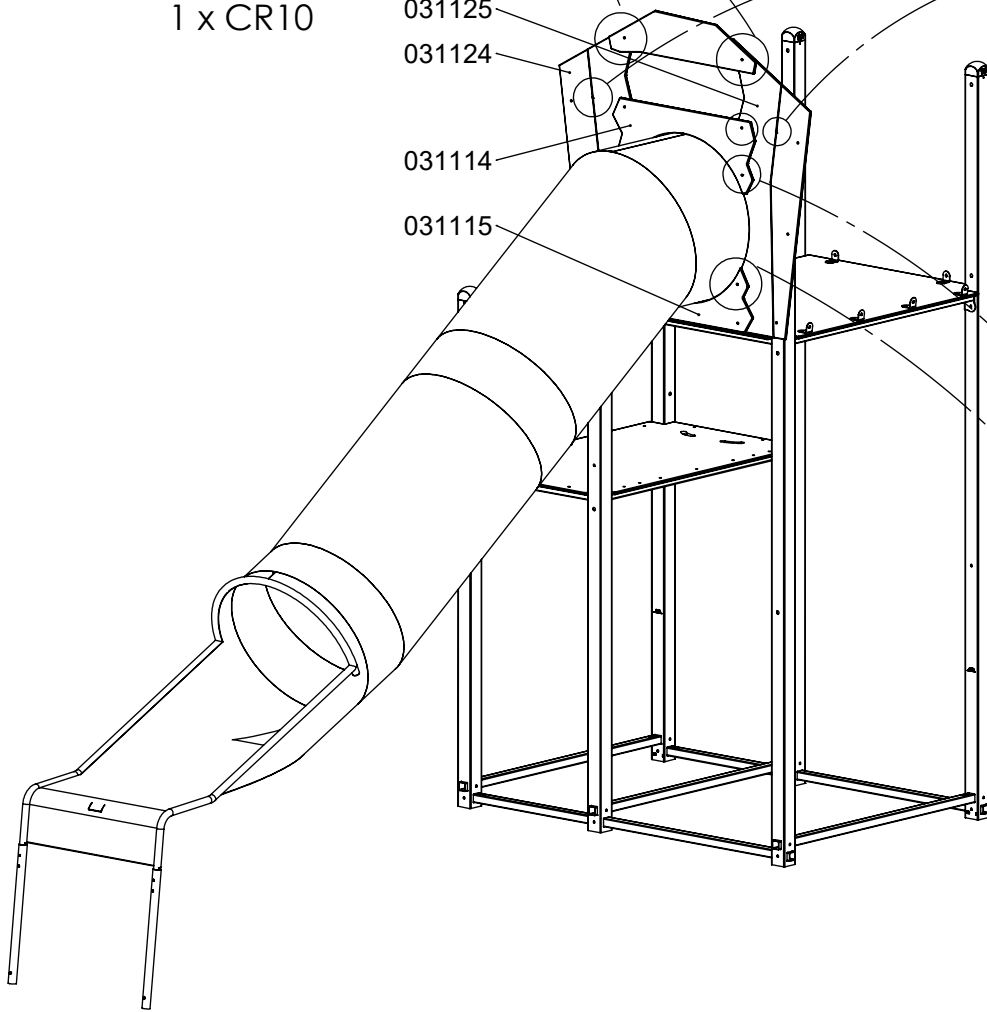
031124

031114

031115



1 x CR2

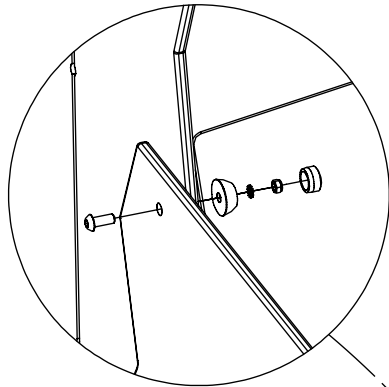
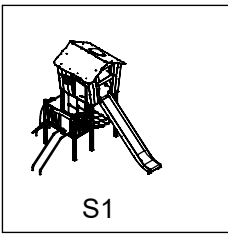


4 x CR24 (C9H)

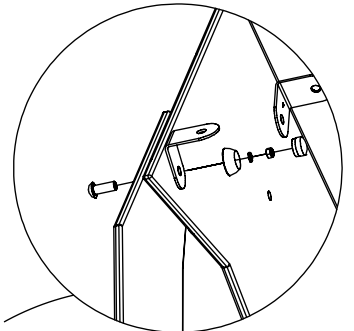
4 x CR22 (C5H)

[cm]

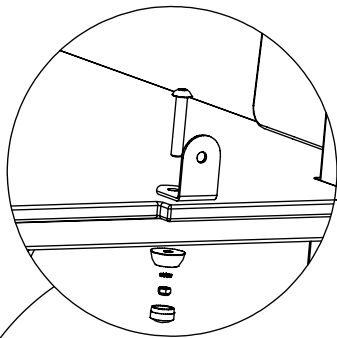
vinci  
play



1 x CR24 (C9H)  
1 x CR22 (C5H)



1 x CR10



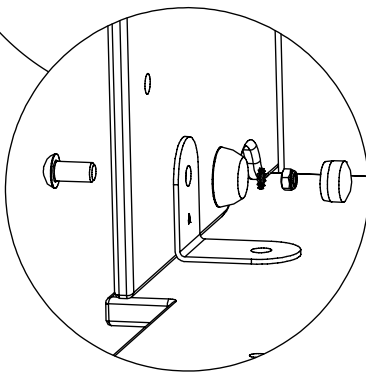
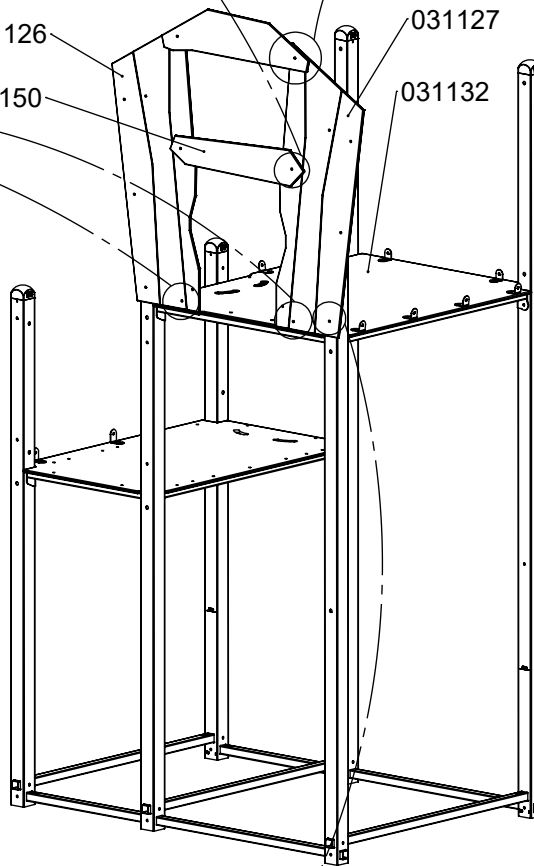
1 x CR7

031126

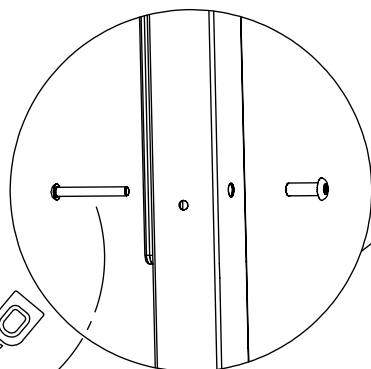
031150

031127

031132



1 x CR18

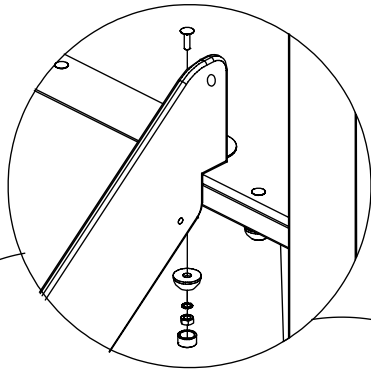
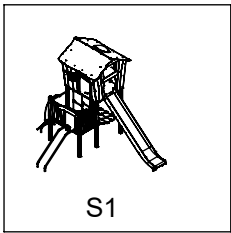


1 x CR2

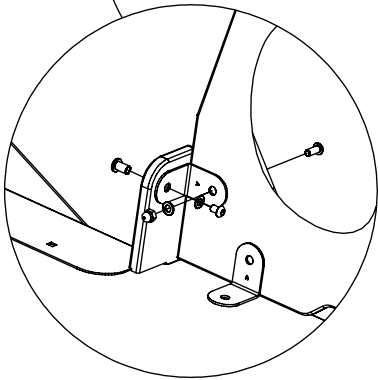


[cm]

vinci  
play

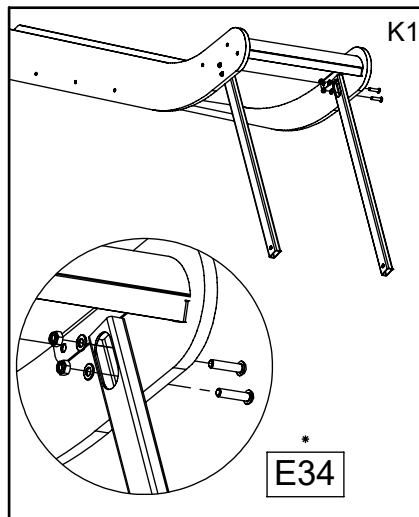
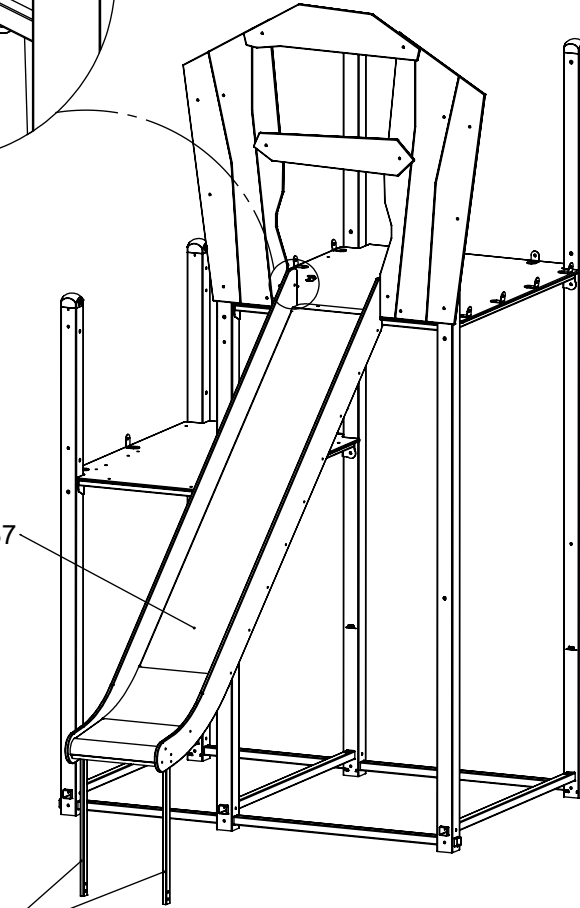


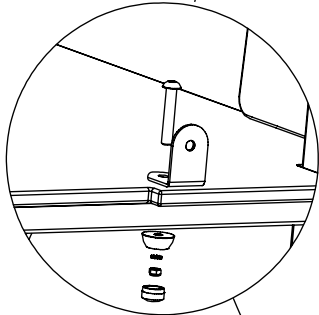
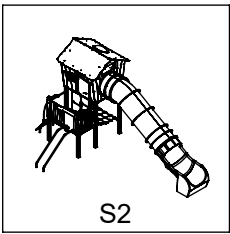
1 x CR29 (S1)  
1 x CR89 (S6)



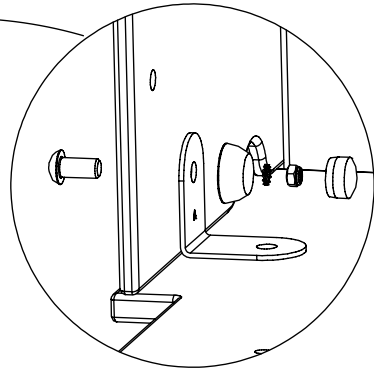
994137

p78  
2x

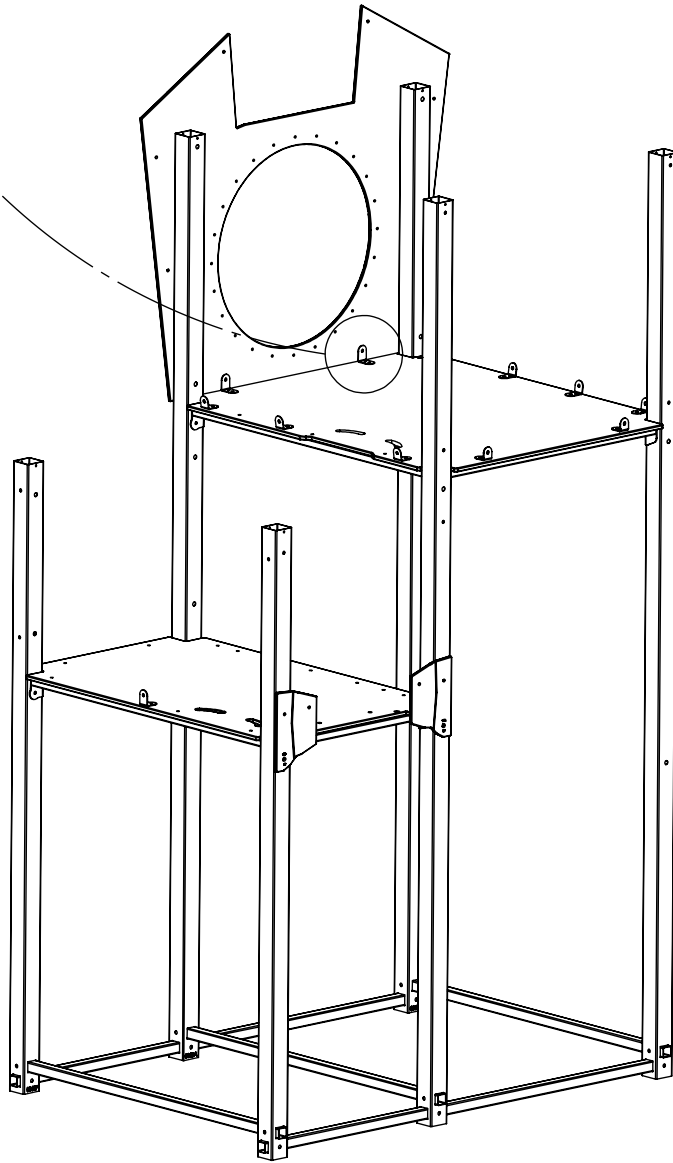




1 x CR7



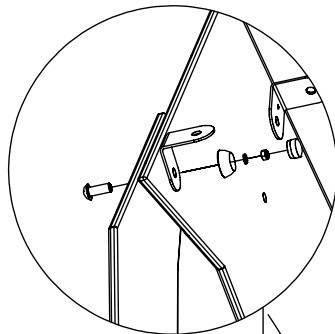
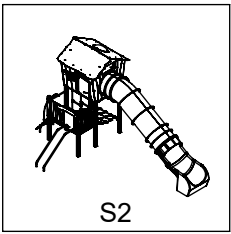
1 x CR18



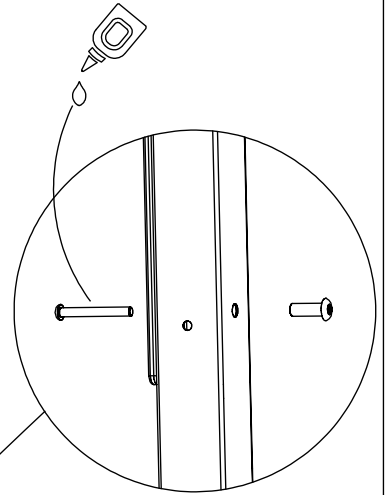
[cm]

vinci  
play

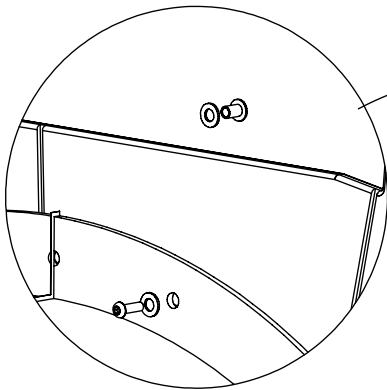




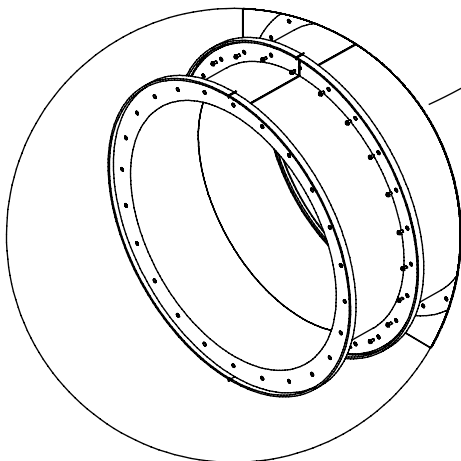
1 x CR10



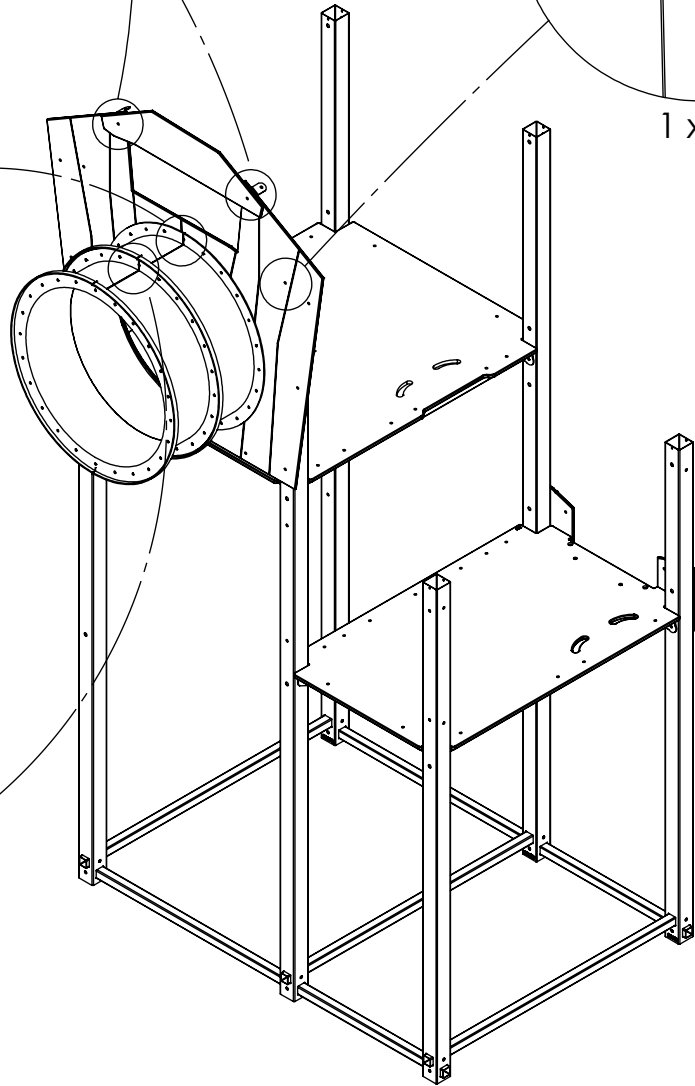
1 x CR2

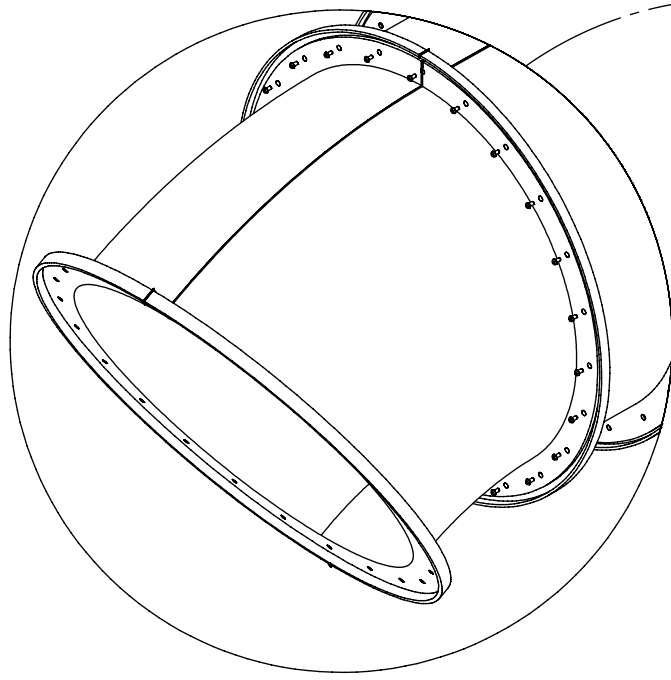
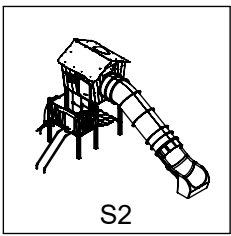


1 x 30c157

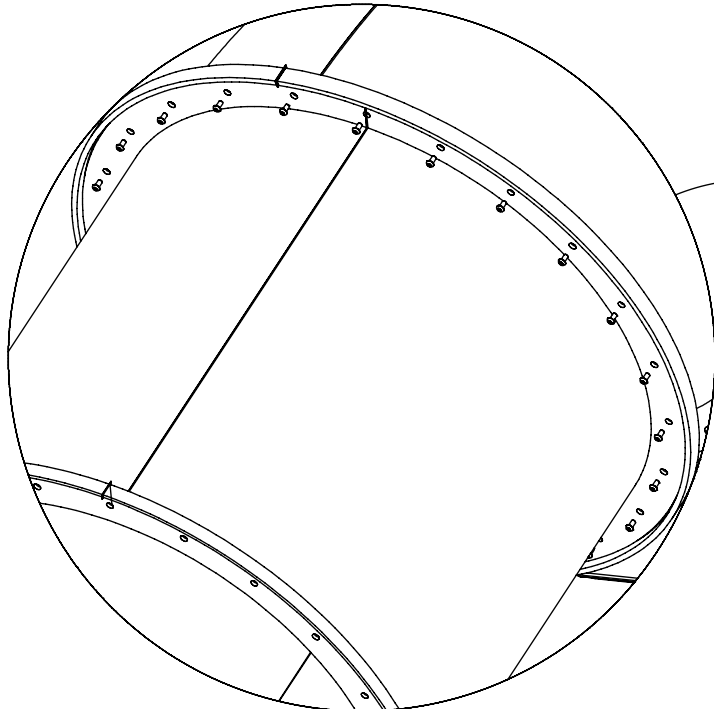
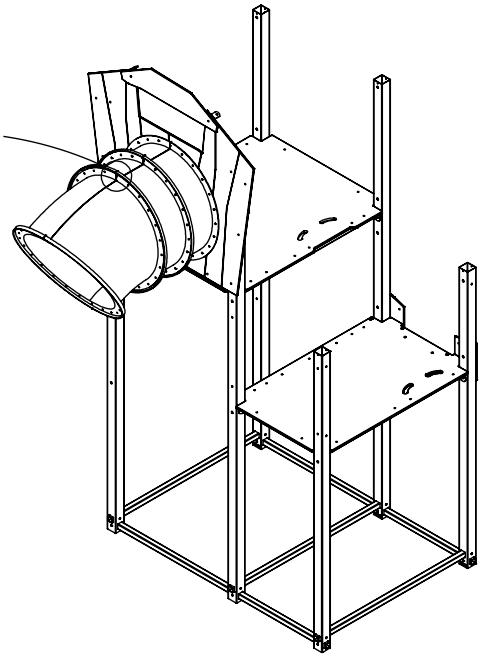


1 x 30e090

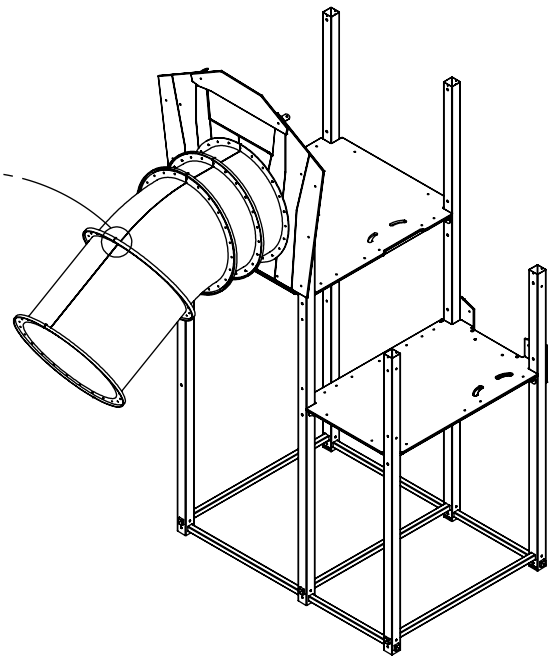




1 x 30e090

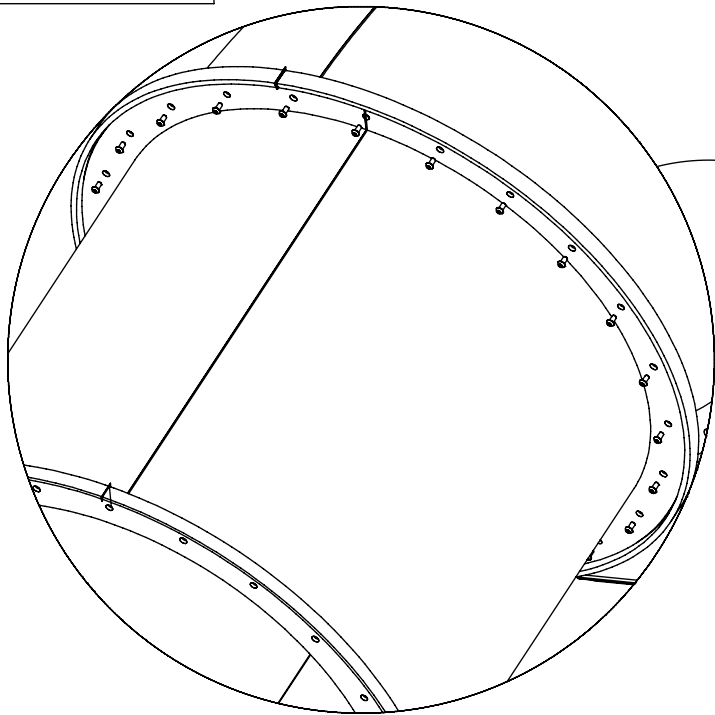
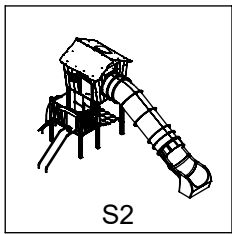


1 x 30e090

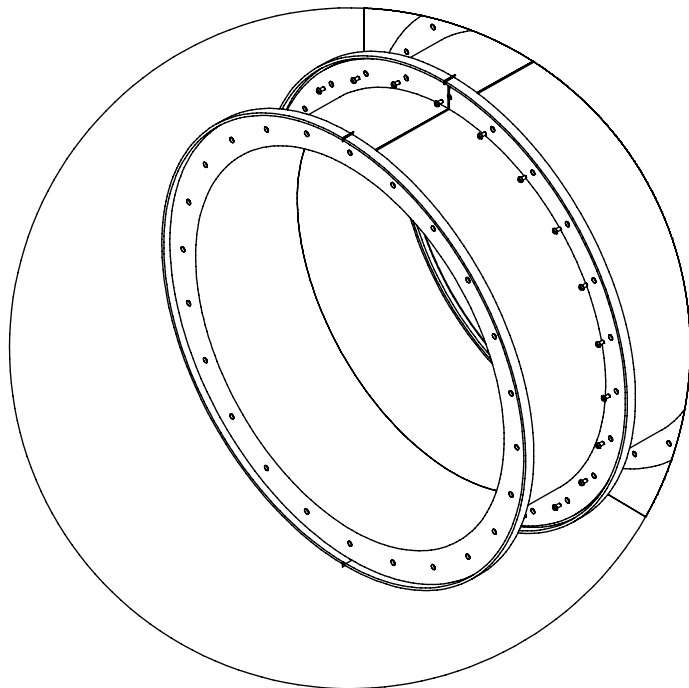
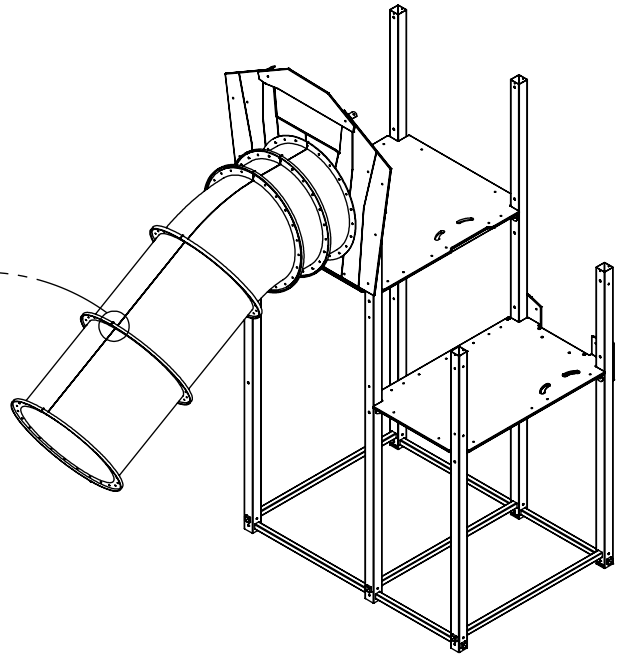


[cm]

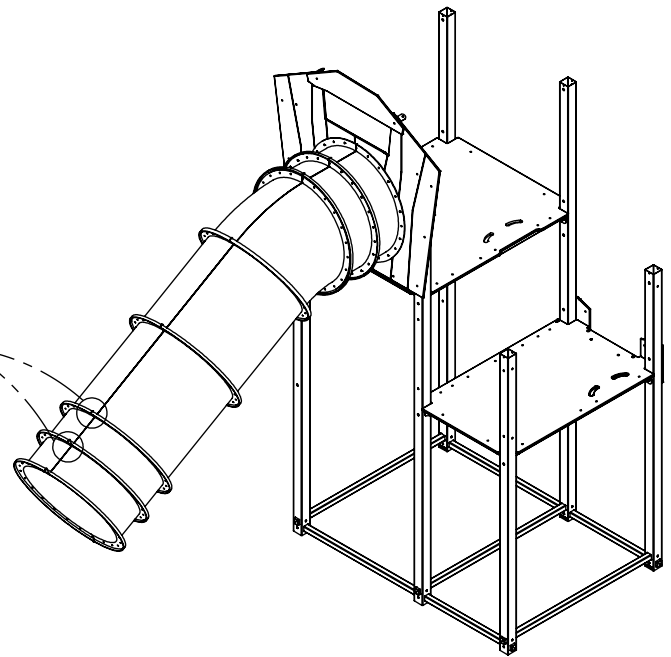
vinci  
play



1 x 30e090

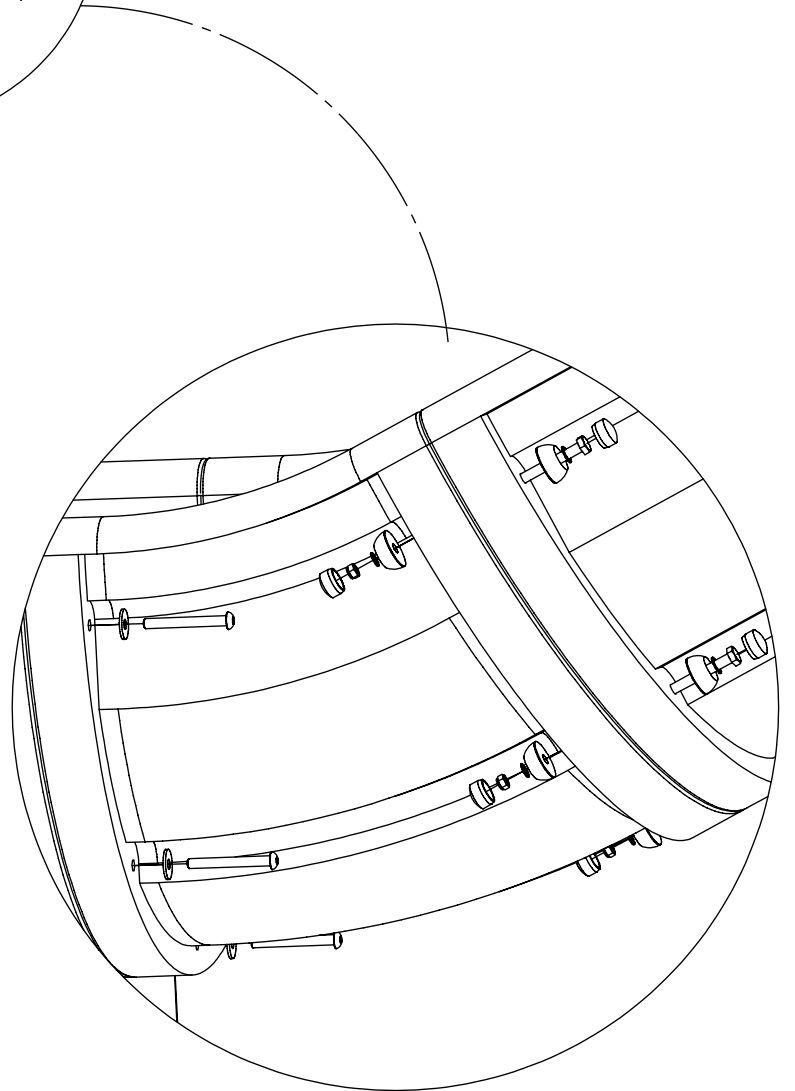
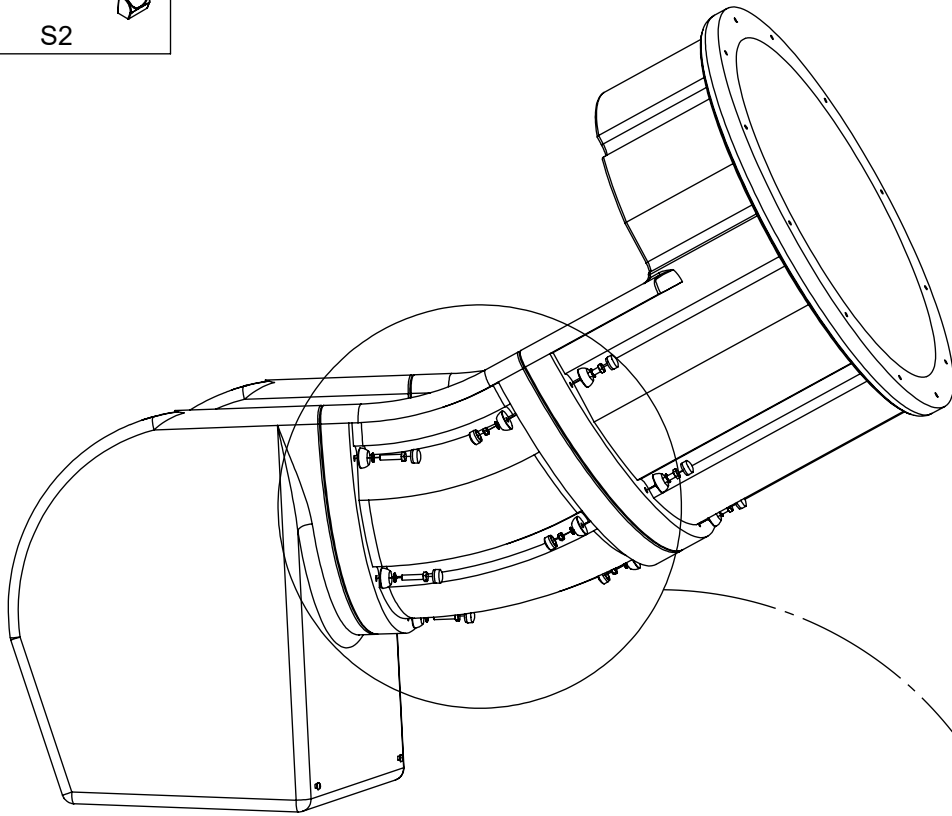
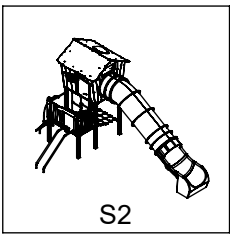


2 x 30e090



[cm]

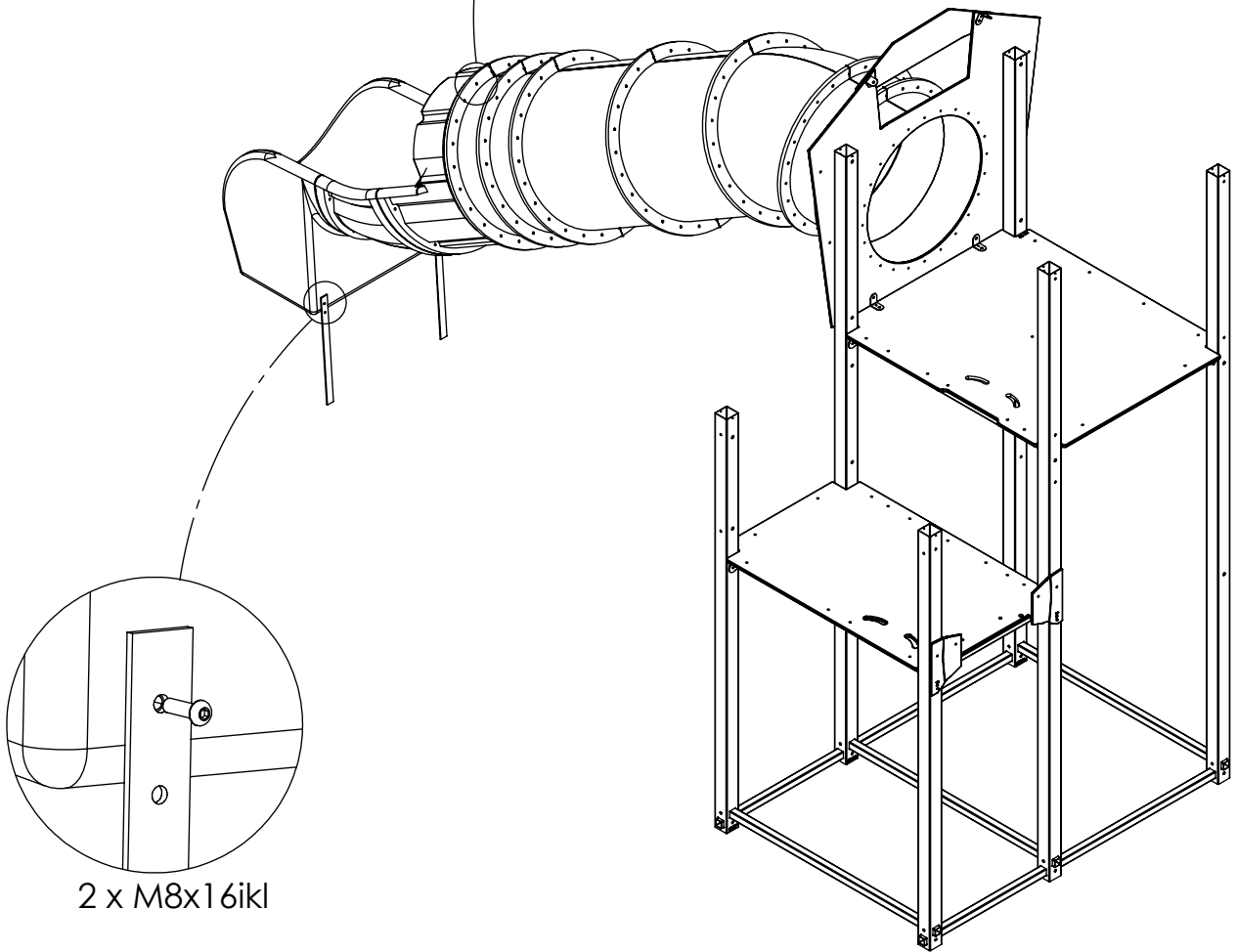
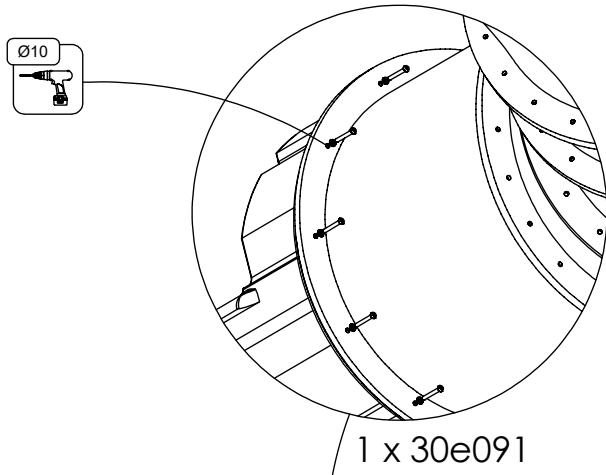
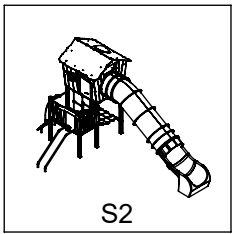
vinci  
play

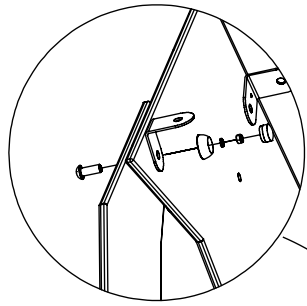


1 x 30e092

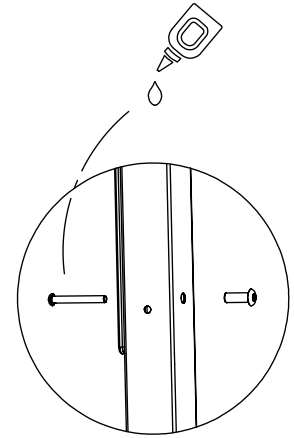
[cm]

vinci  
play

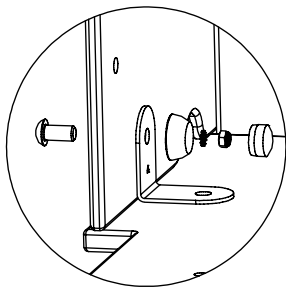




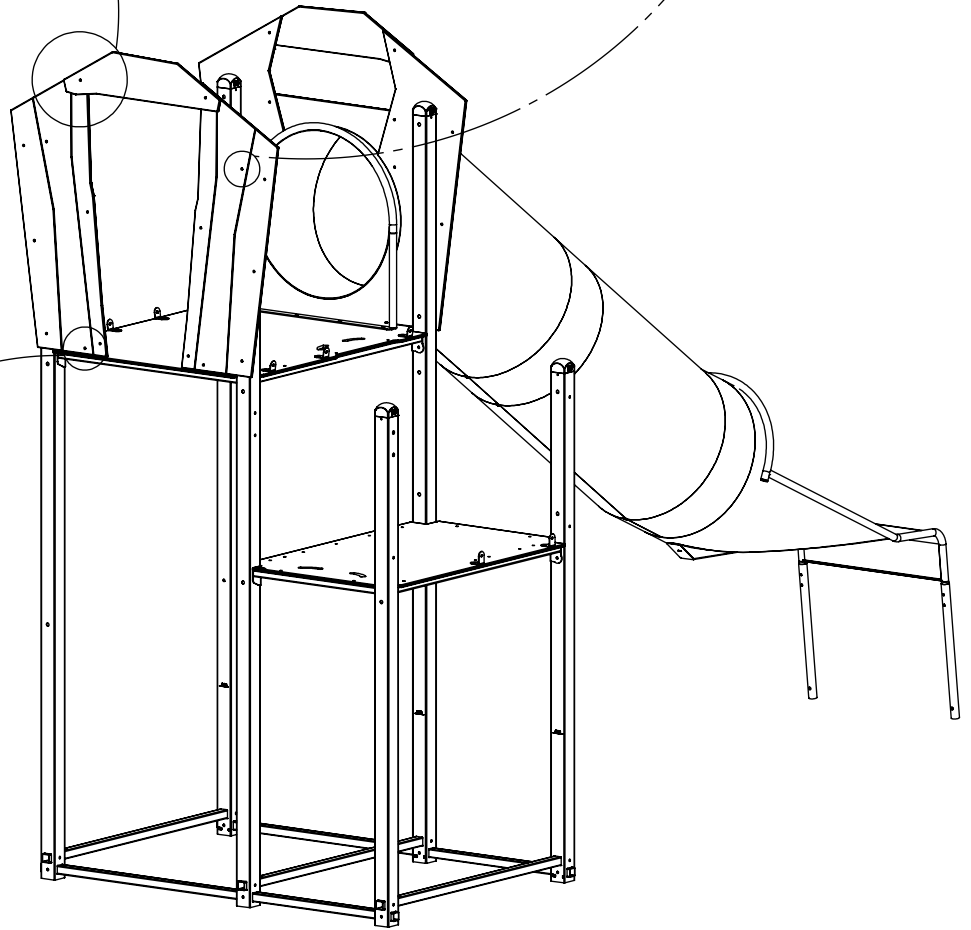
1 x CR10

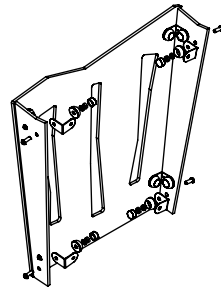
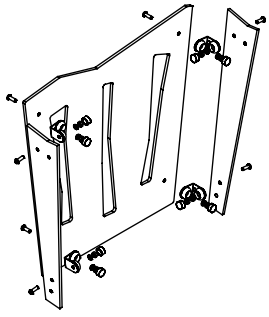


1 x CR2

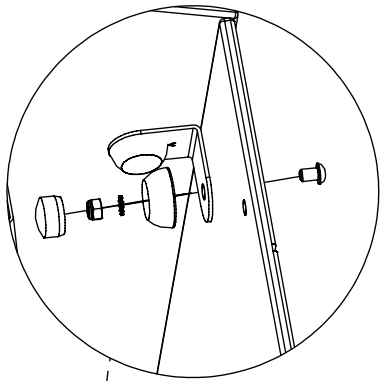


1 x CR7  
1 x CR18

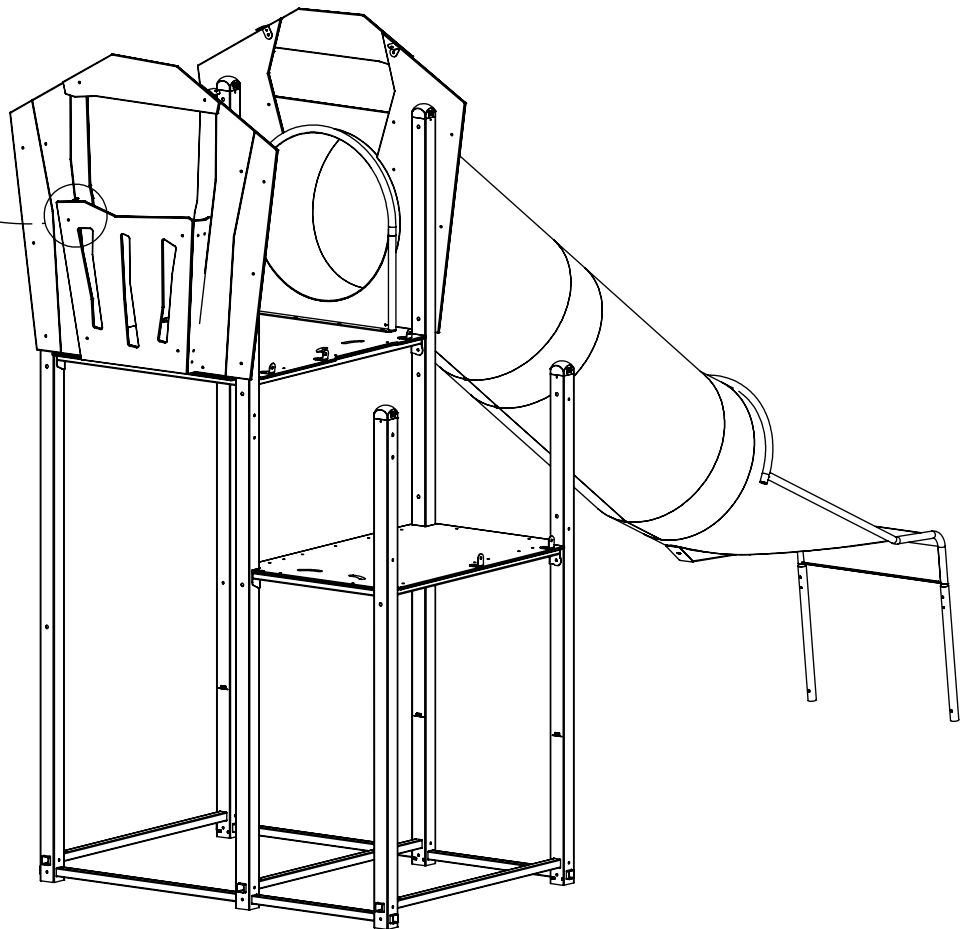




1 x CR43



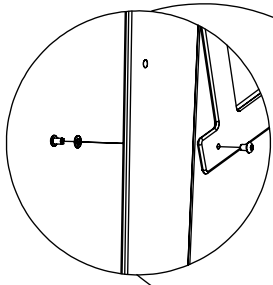
1 x CR20



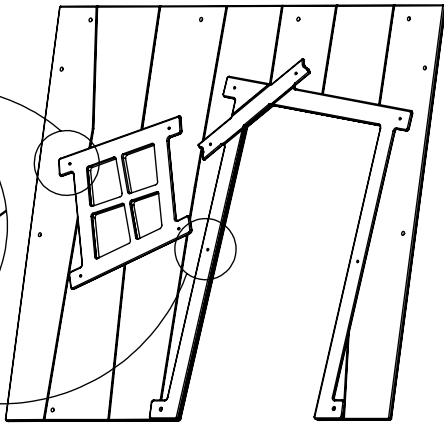
[cm]

vinci  
play

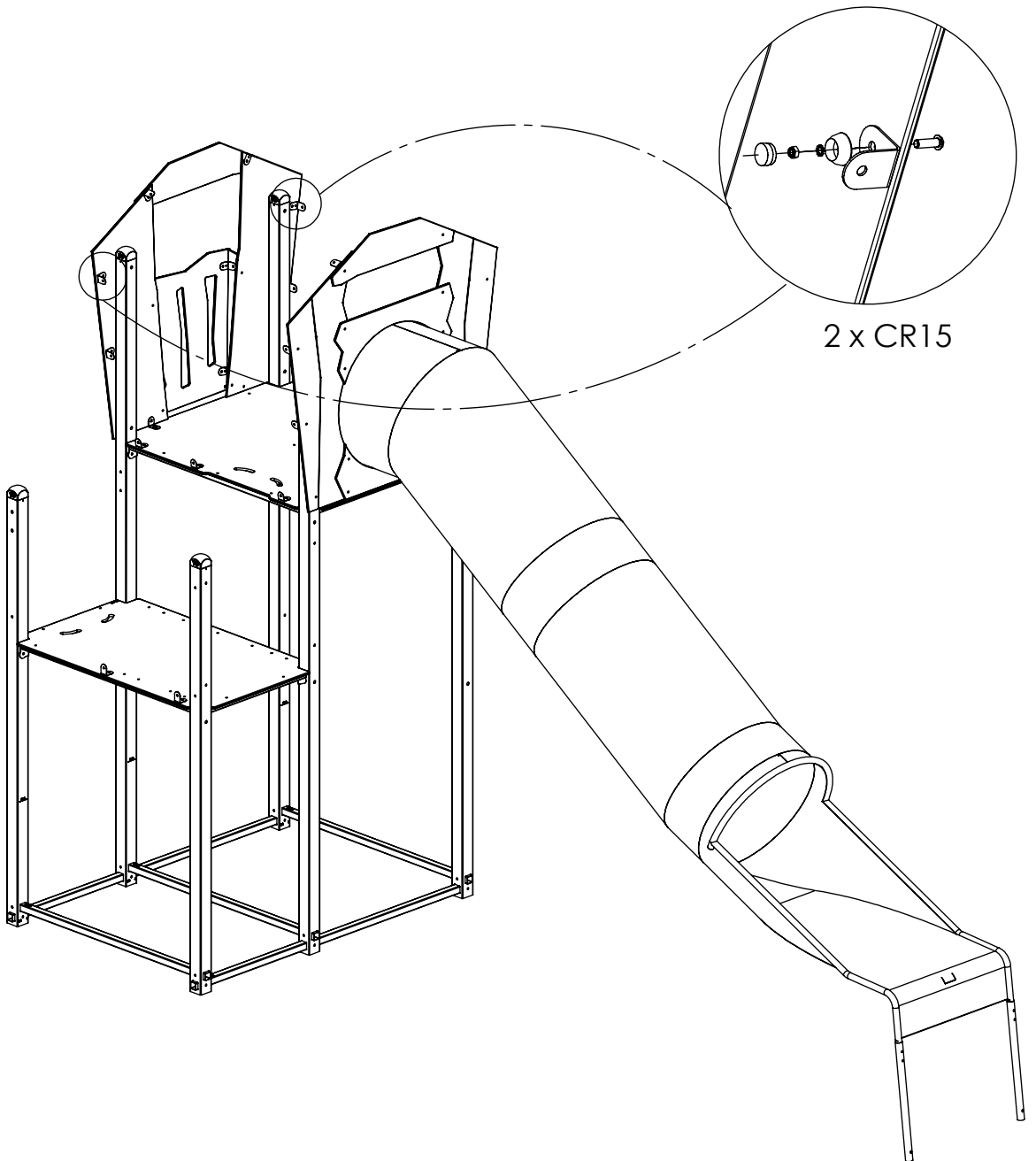
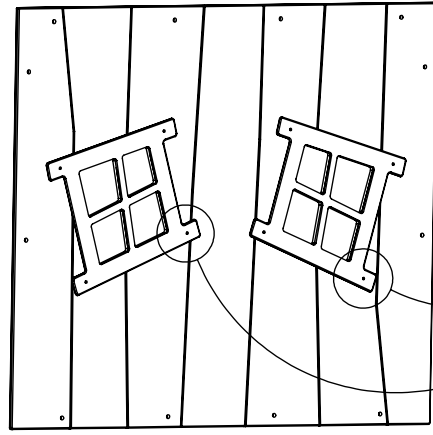
1 x CR91



2 x CR98



2 x CR91

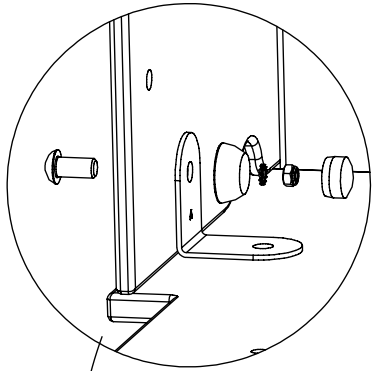


2 x CR15

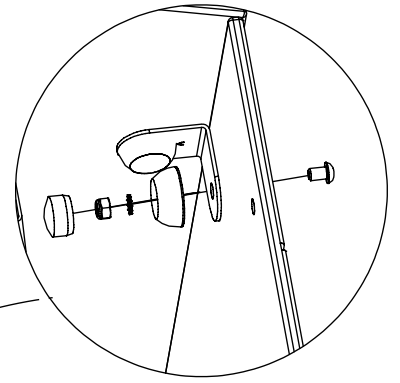
[cm]

vinci  
play

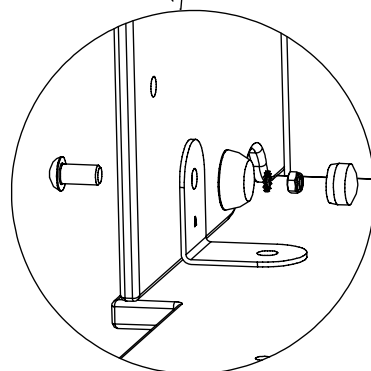
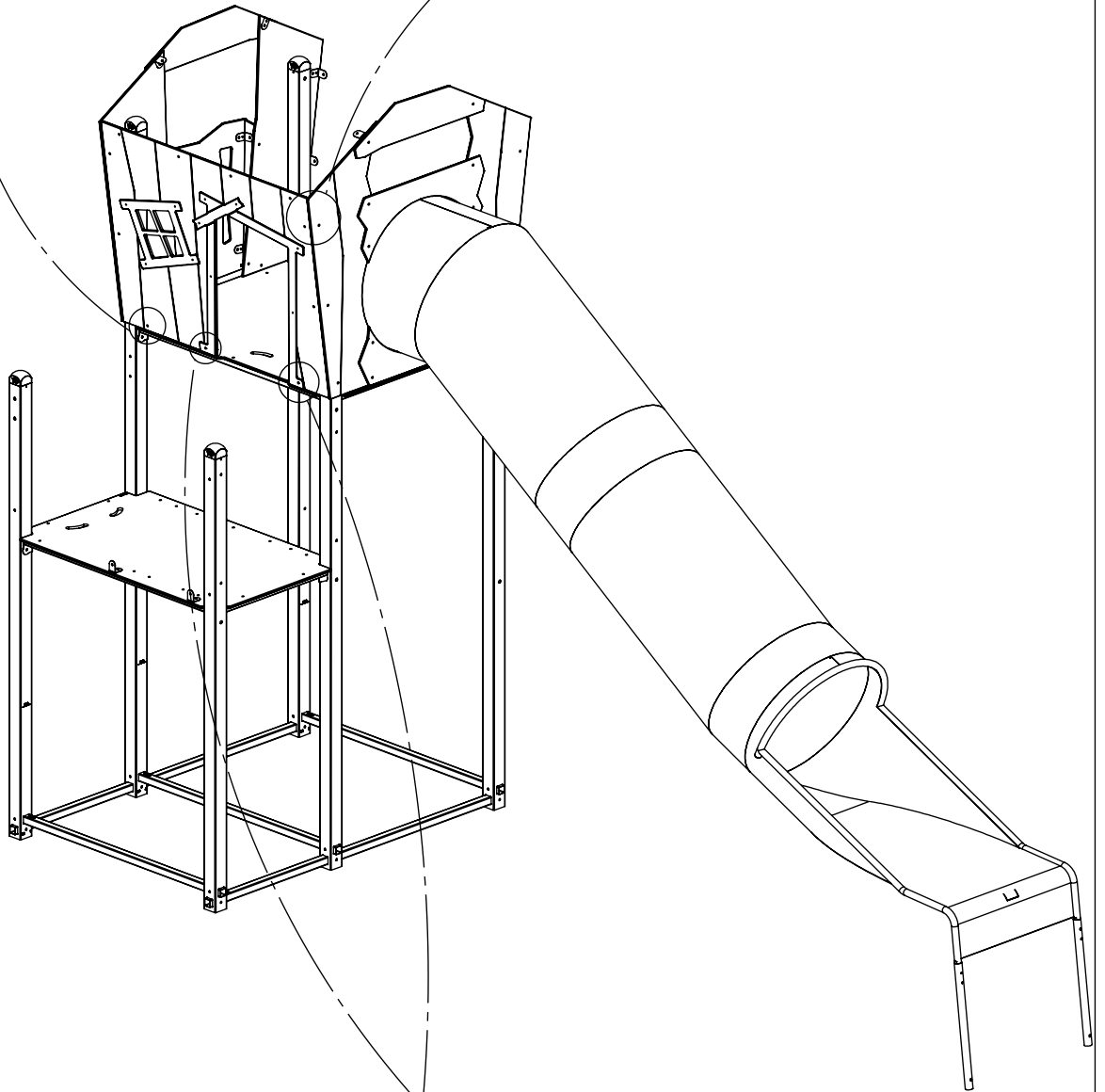




1 x CR17



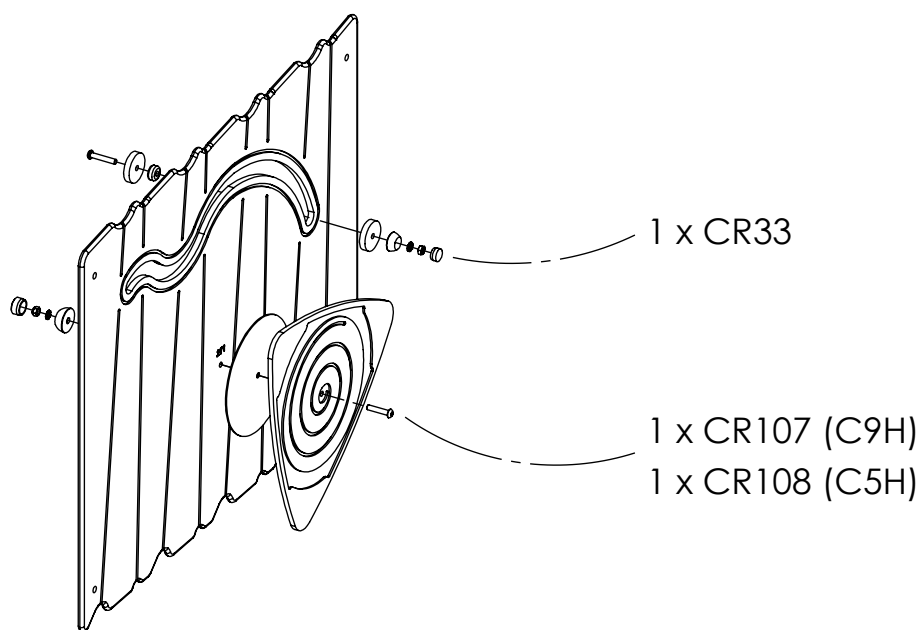
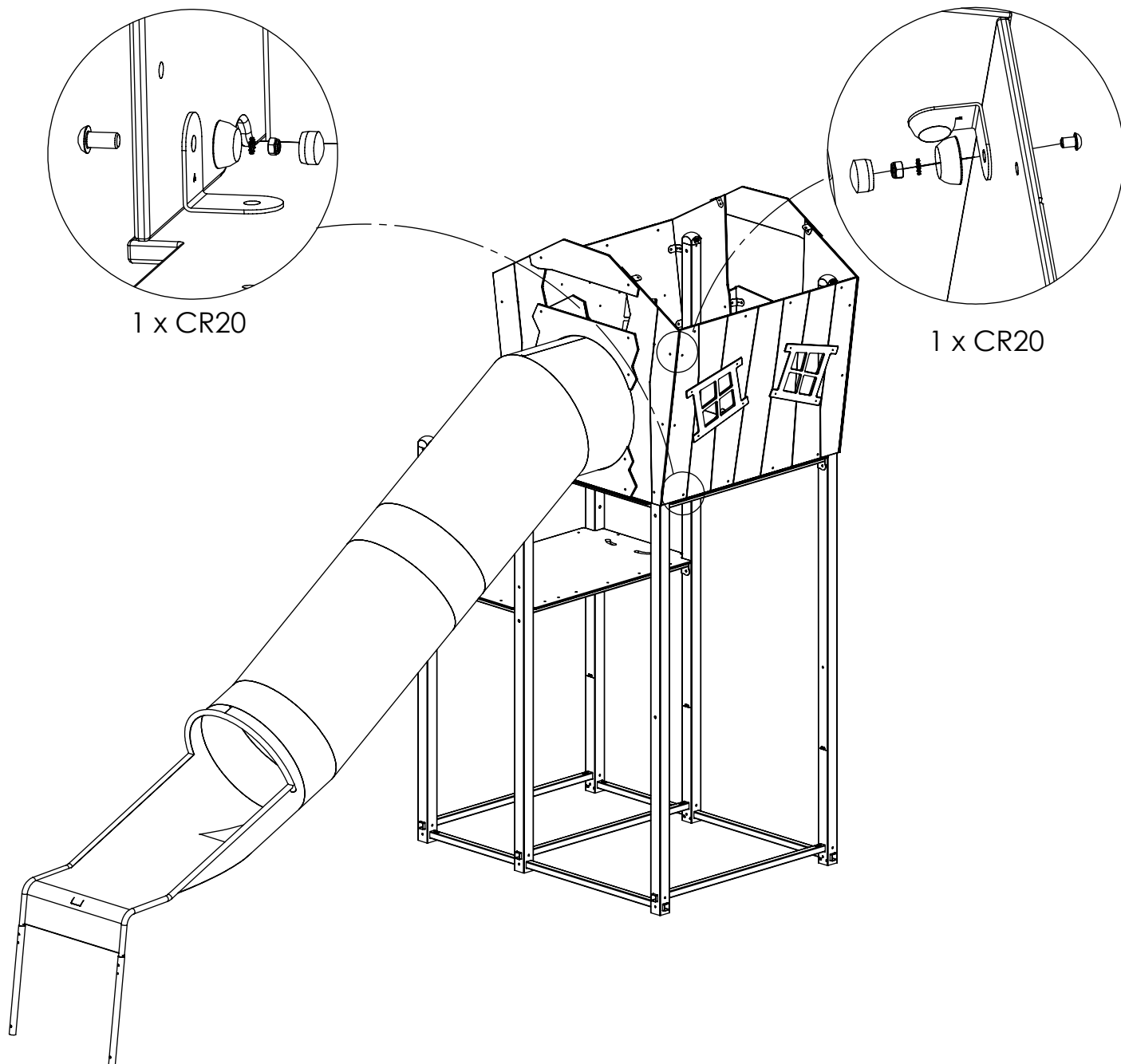
1 x CR20



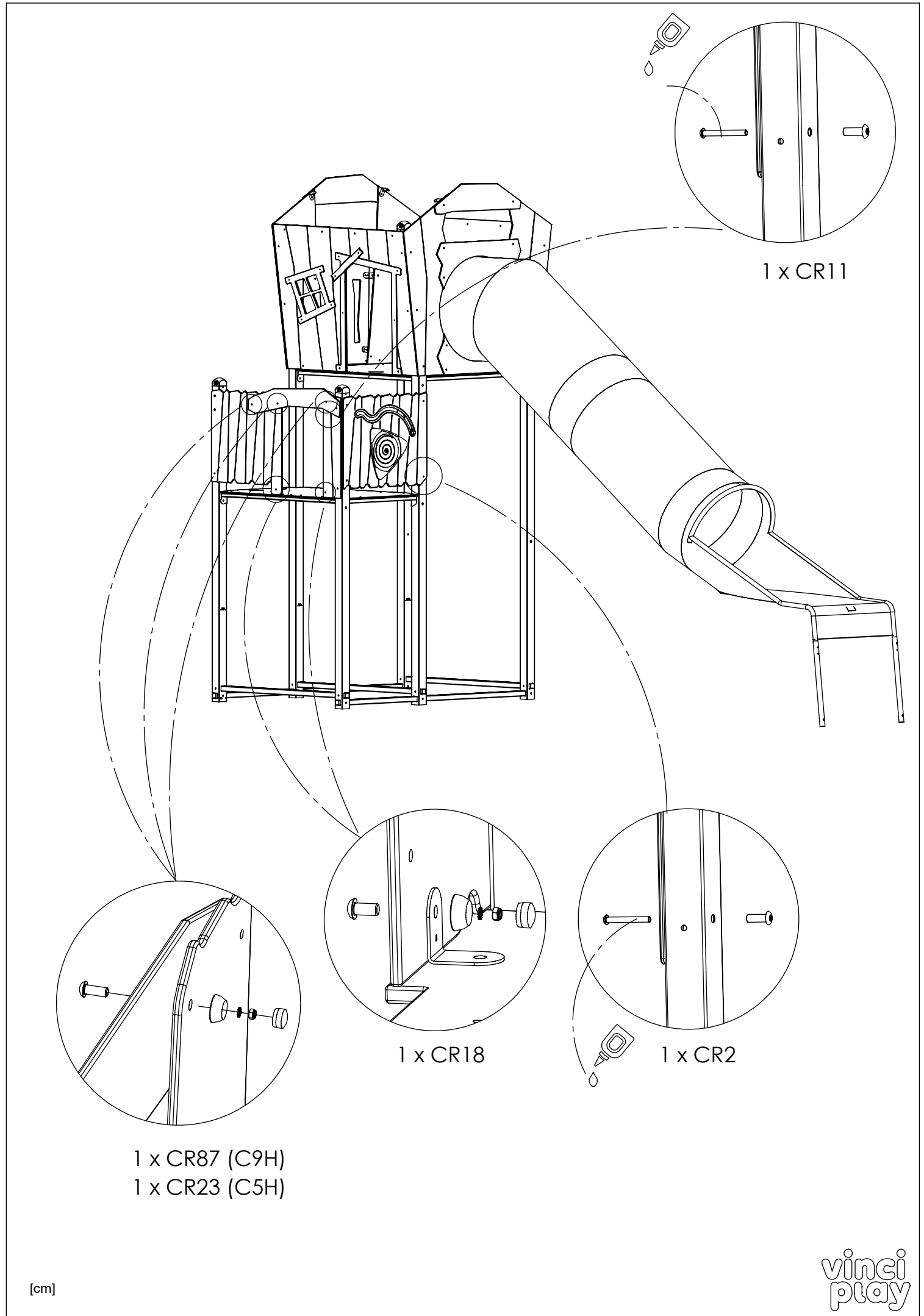
1 x CR113

[cm]

vinci  
play



[cm]

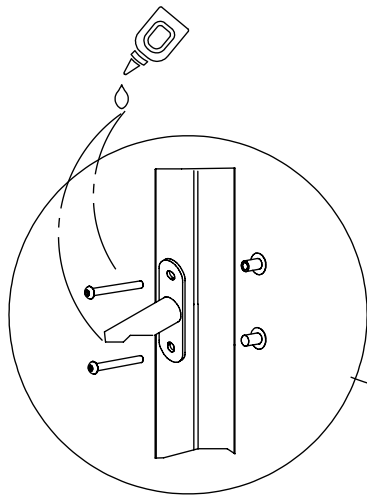


1 x CR11

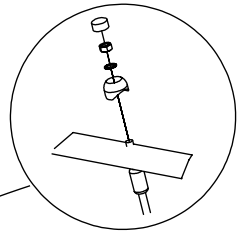
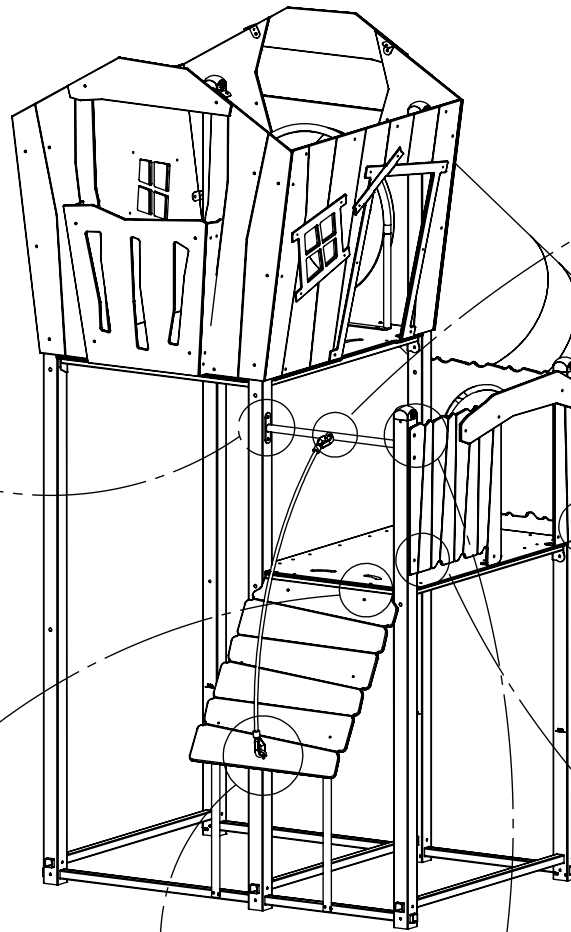
1 x CR18

1 x CR2

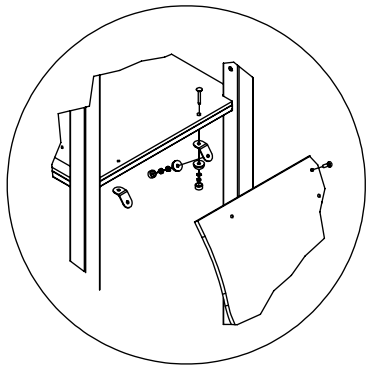
1 x CR87 (C9H)  
1 x CR23 (C5H)



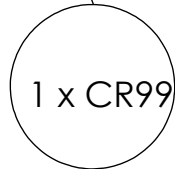
1 x CR14



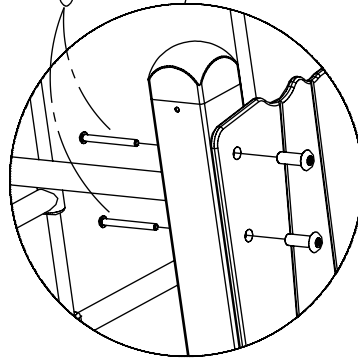
1 x CR34



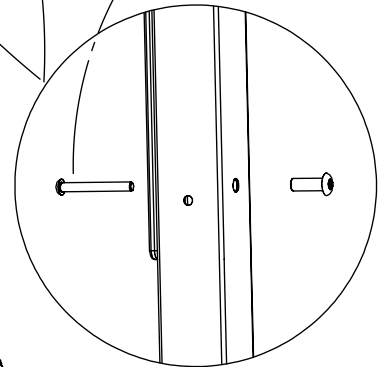
1 x CR34



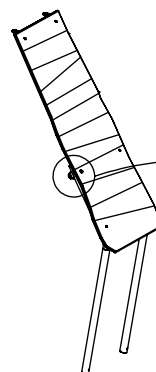
1 x CR99



1 x CR12



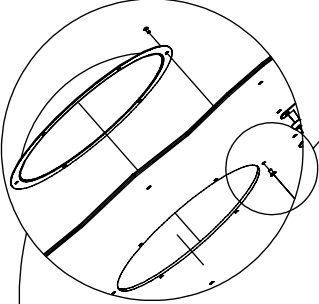
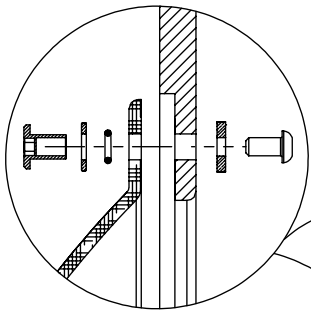
1 x CR14



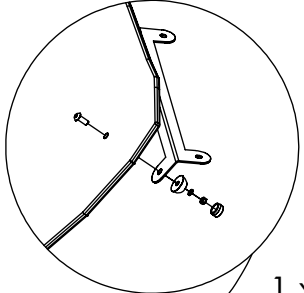
1 x CR34

[cm]

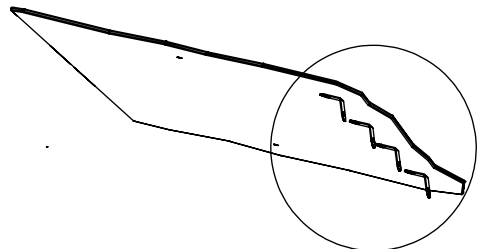
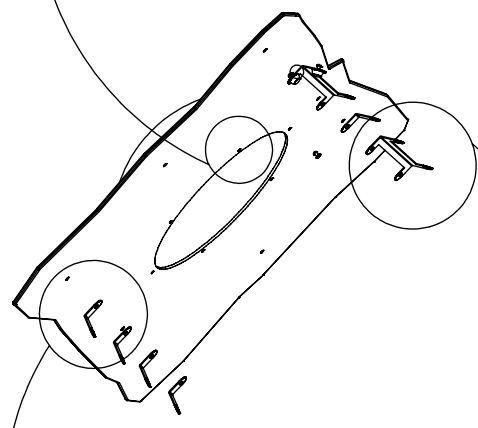
vinci  
play



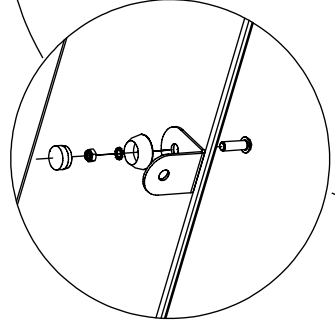
1 x CL9



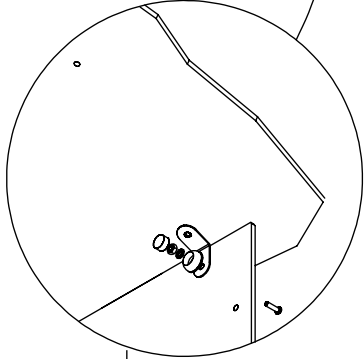
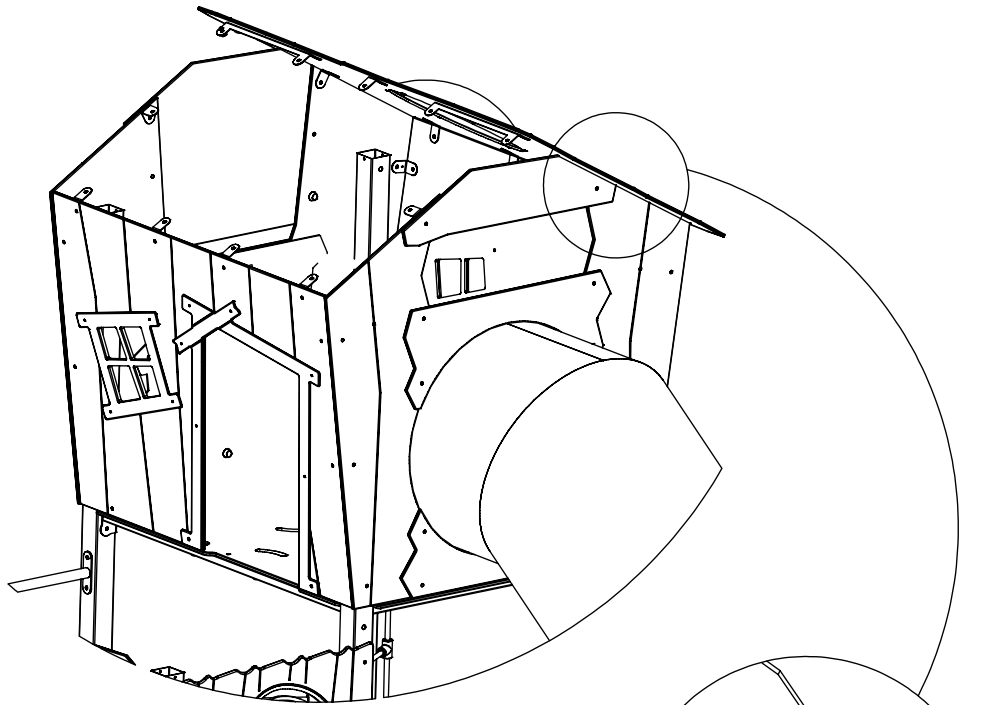
1 x CR25  
1 x CR20  
1 x CR17



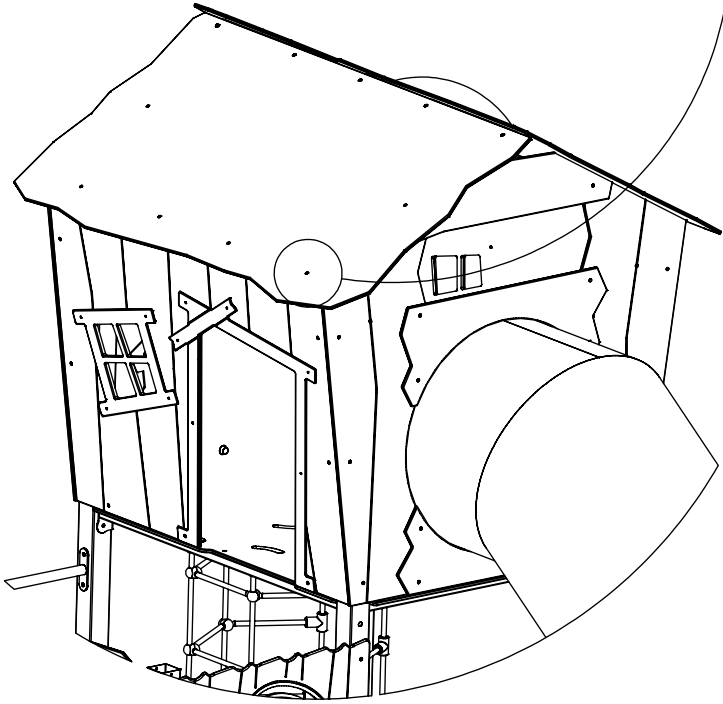
2 x CR40

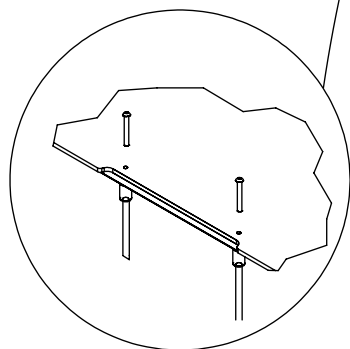
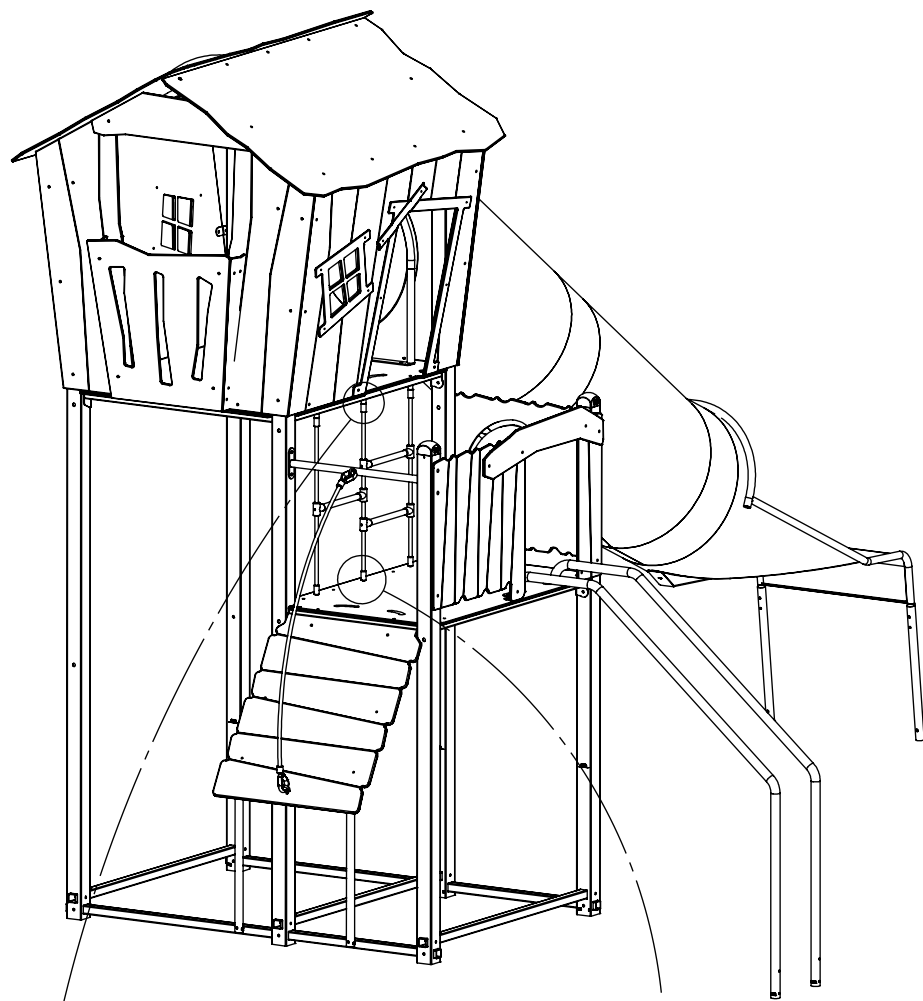


[cm]

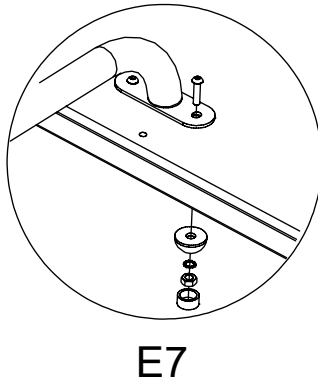
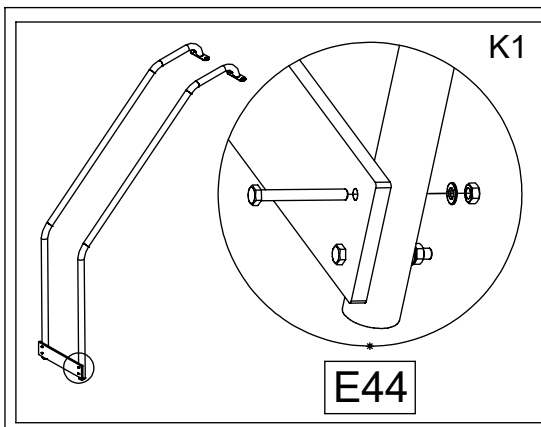
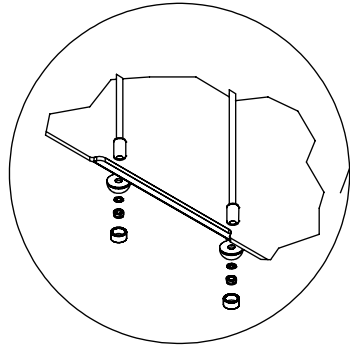


3 x CR20

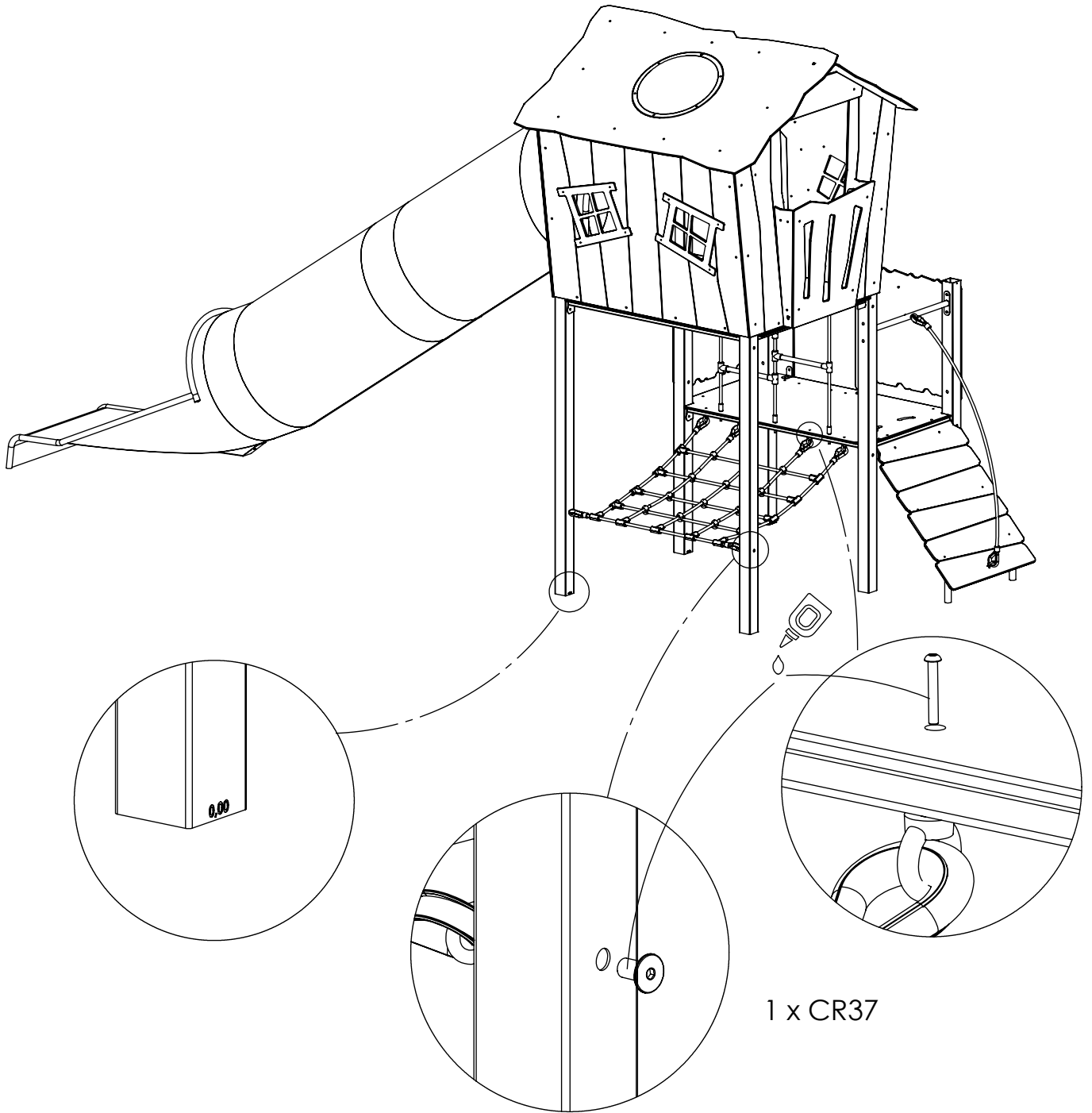




1 x CR36



[cm]



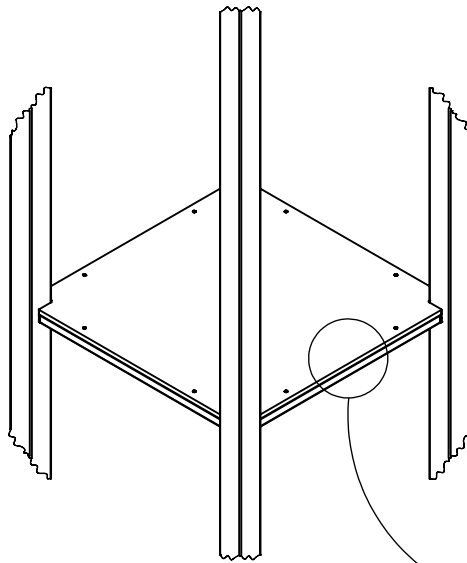
1 x CR37

[cm]



vinci  
play





**V001**

