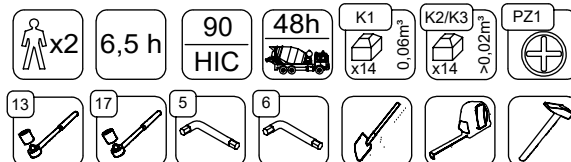
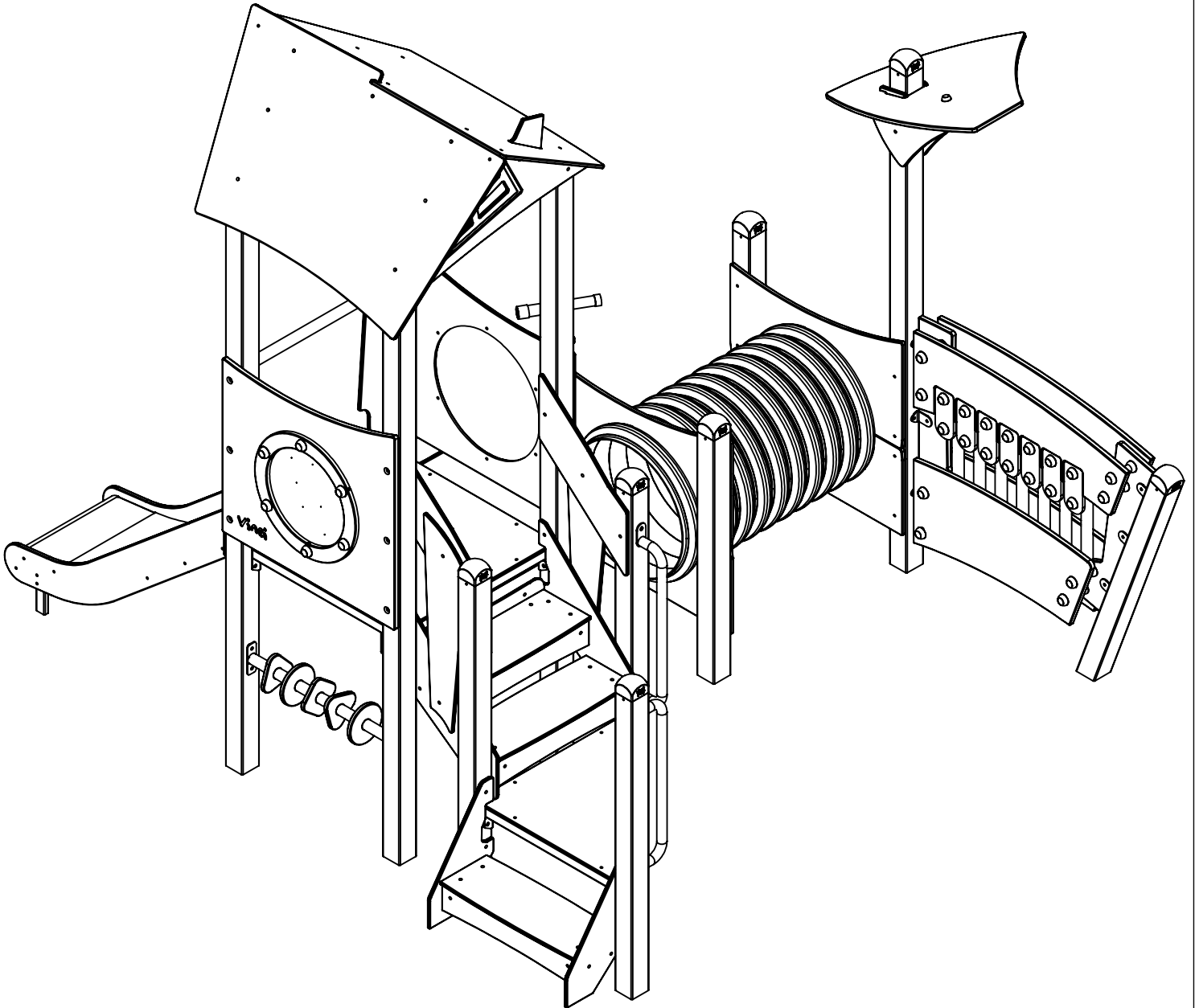


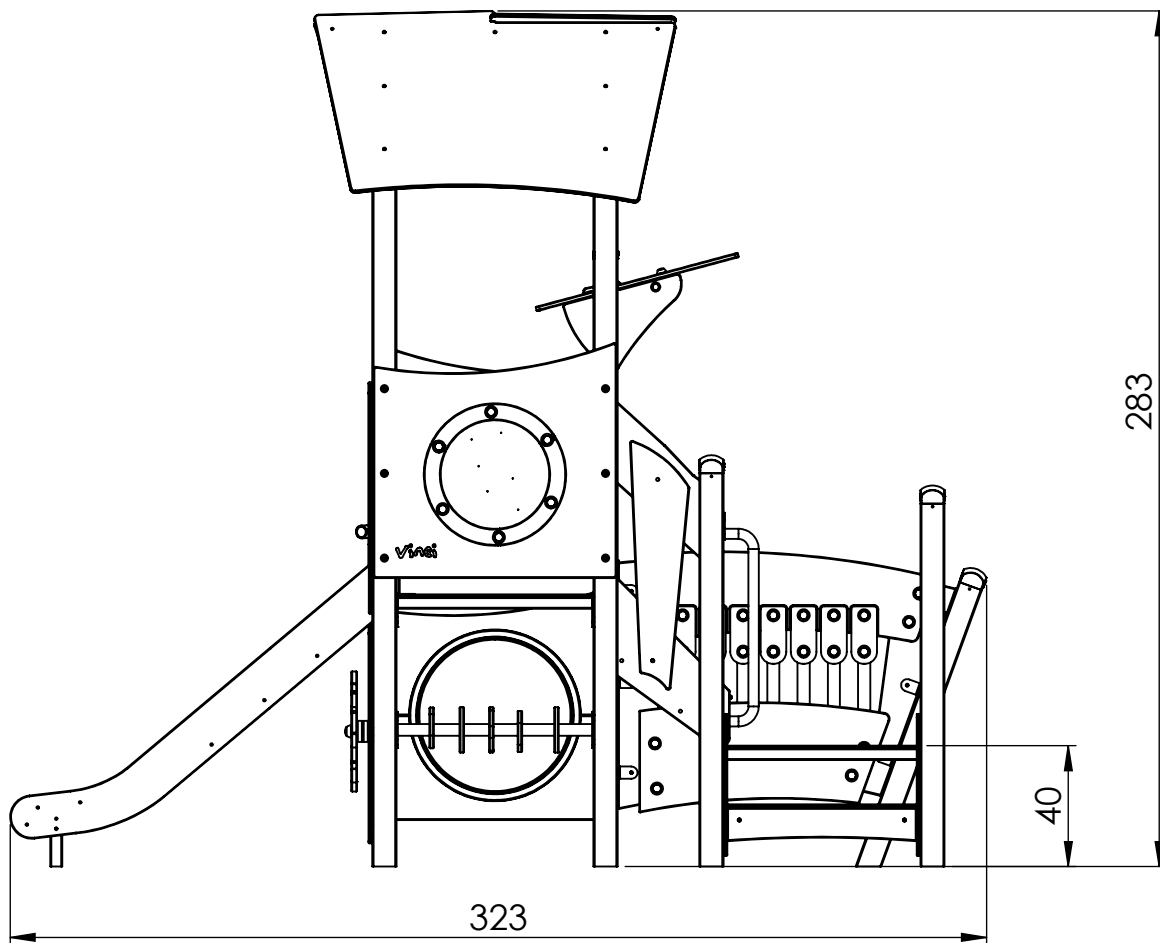
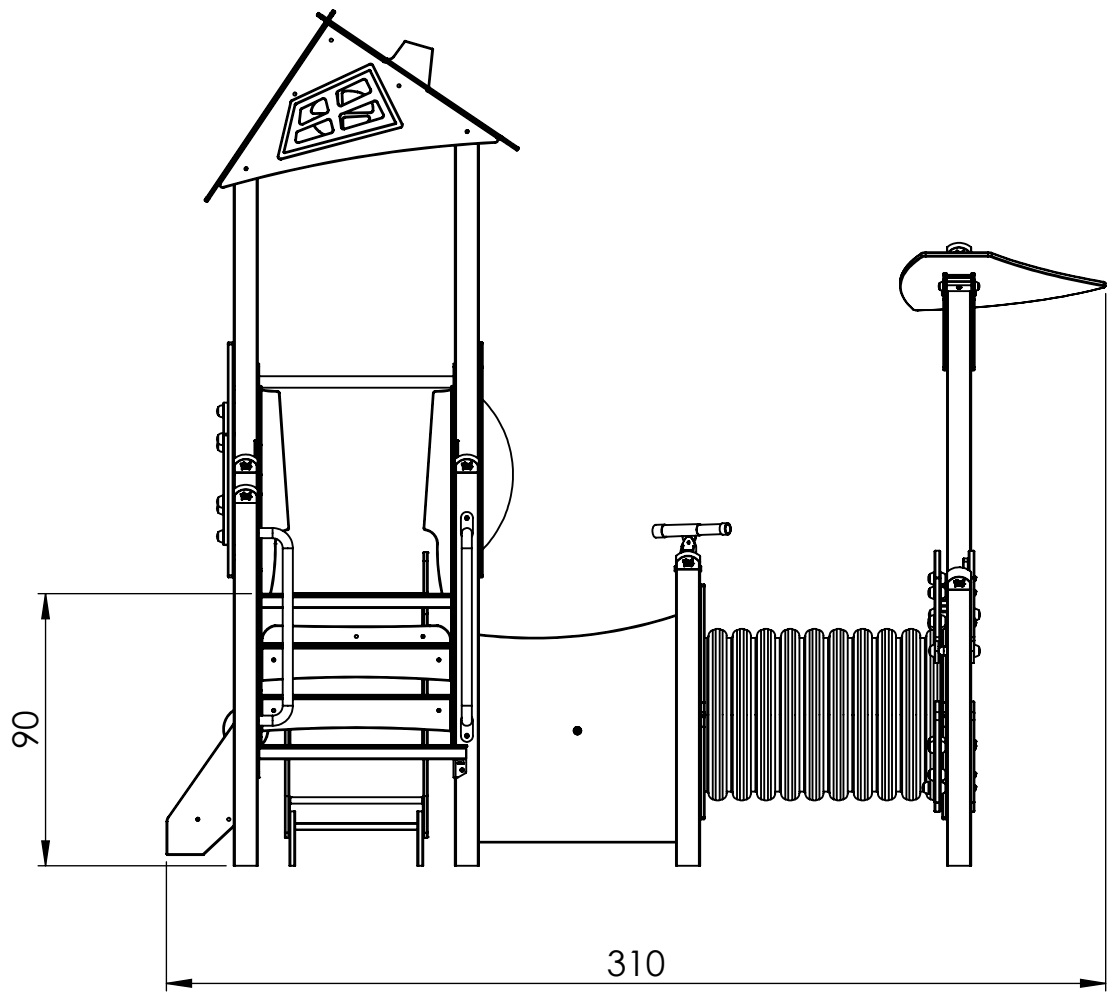
# 1724



[cm]

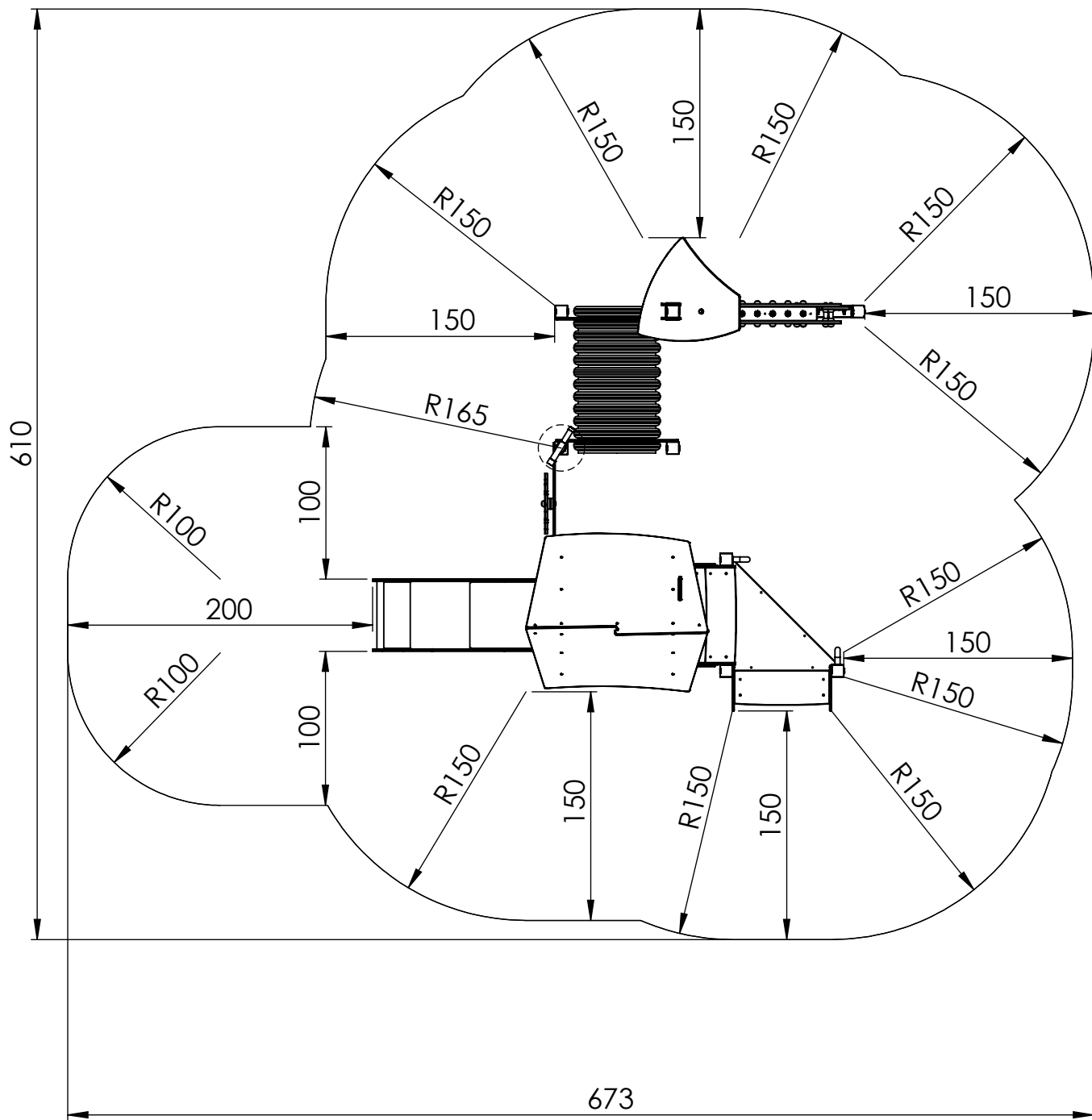
v012 / 17.02.2021  
D.P.

vinci  
play

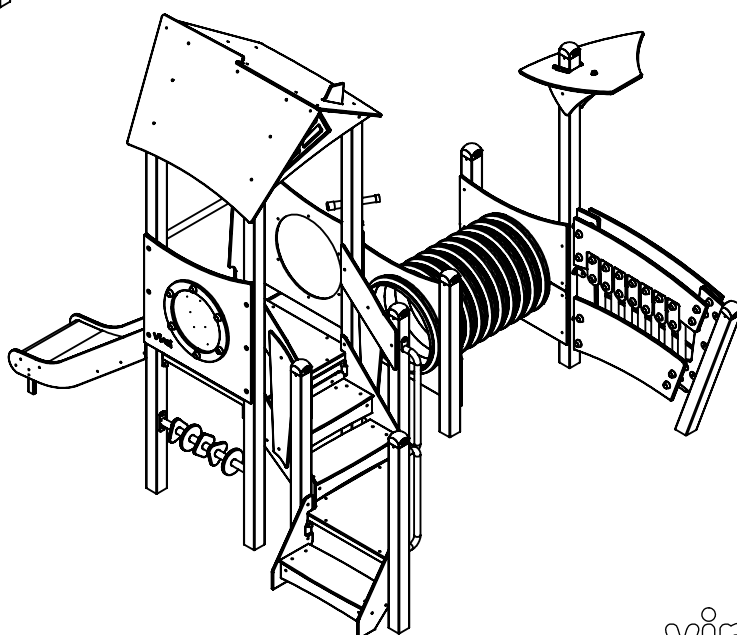
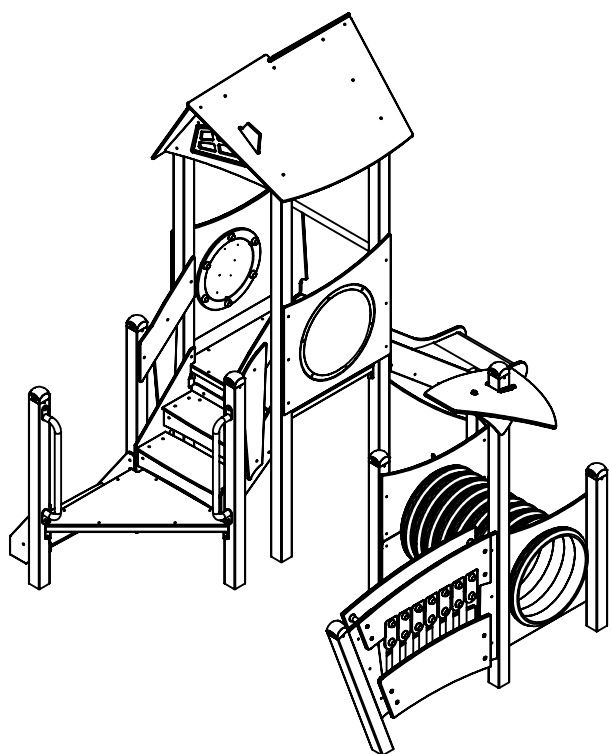
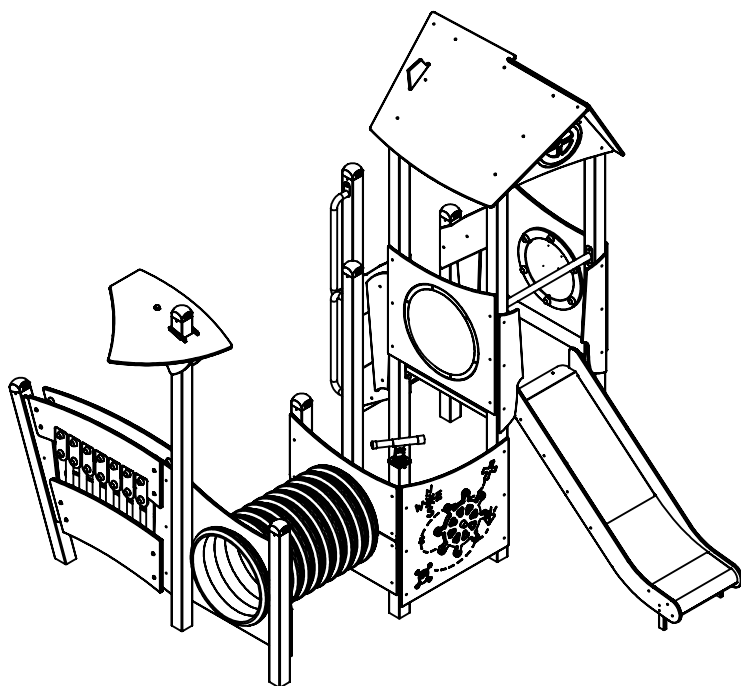
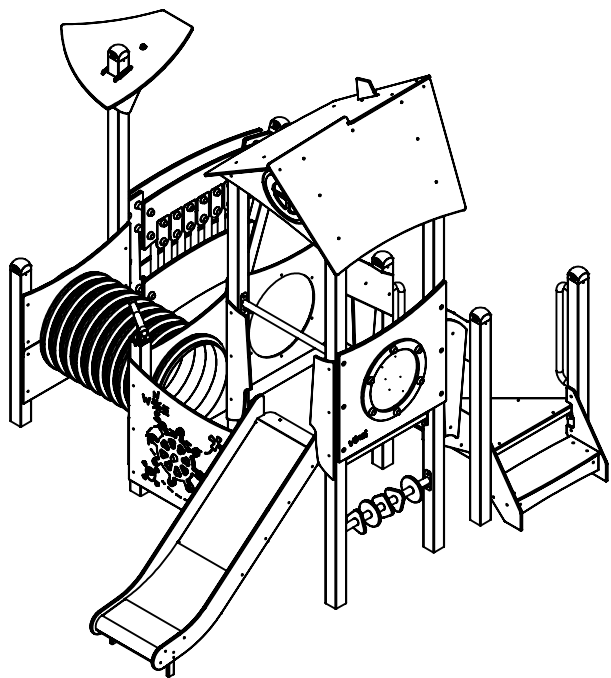


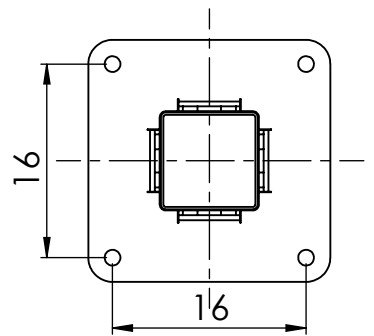
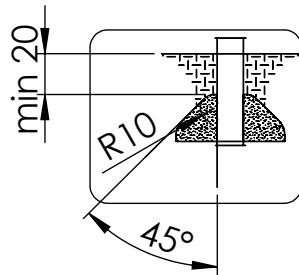
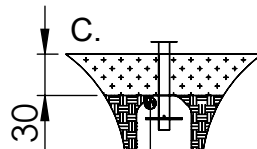
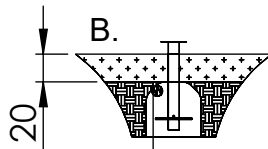
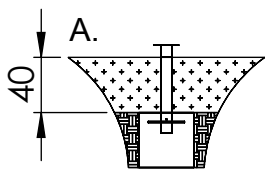
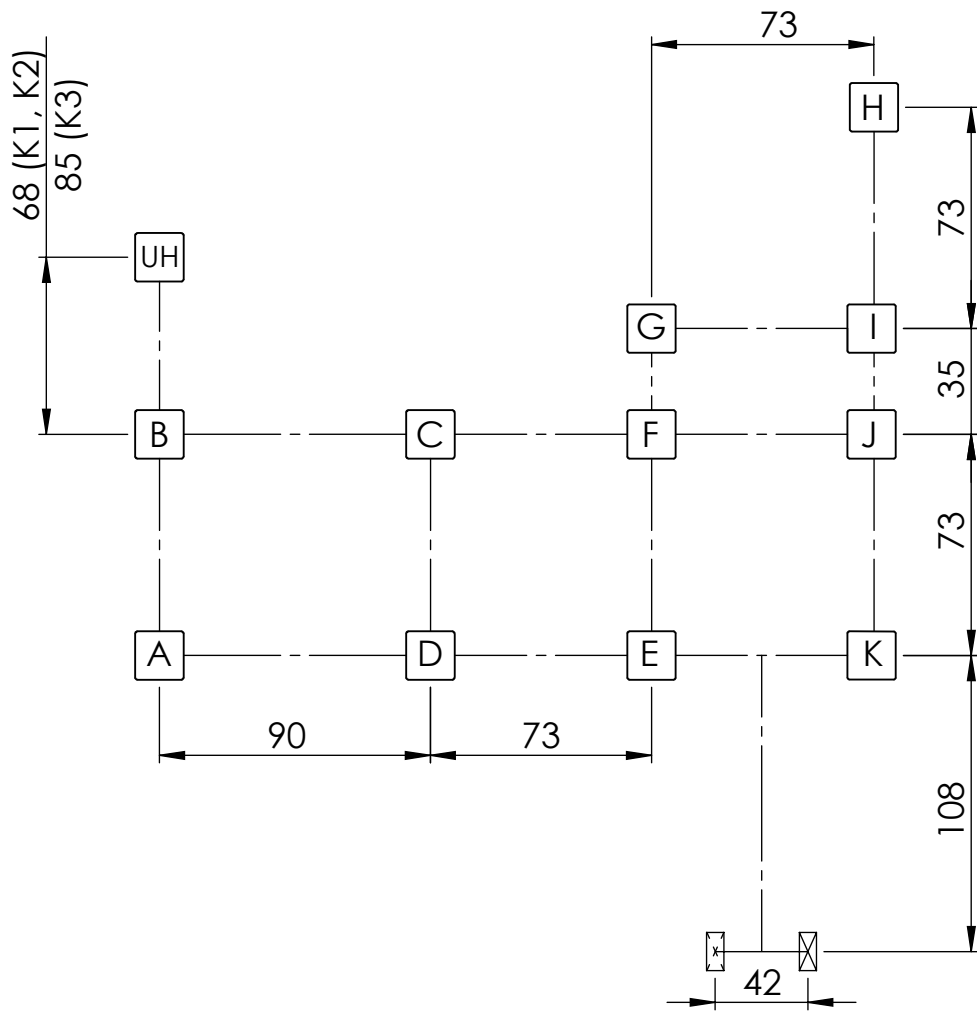
[cm]

vinci  
play



[cm]





K2

M10x120 x48  
M8x120 x2

Ø8  
Ø10

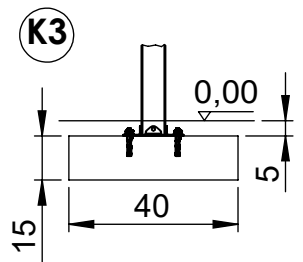
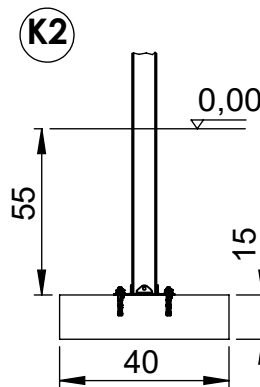
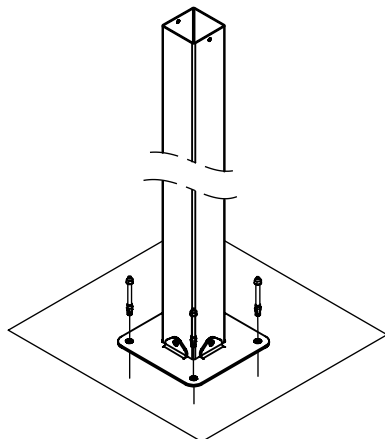
**NOT INCLUDED**

K3

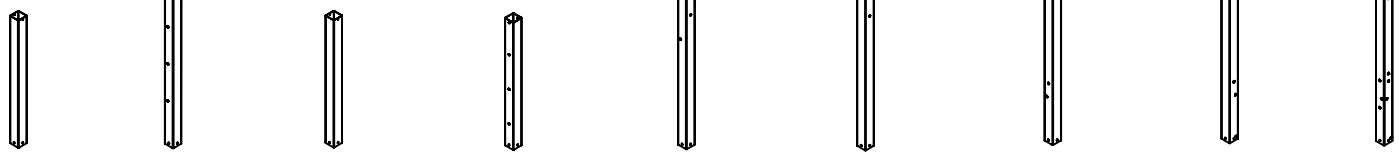
M10x120 x50

Ø10

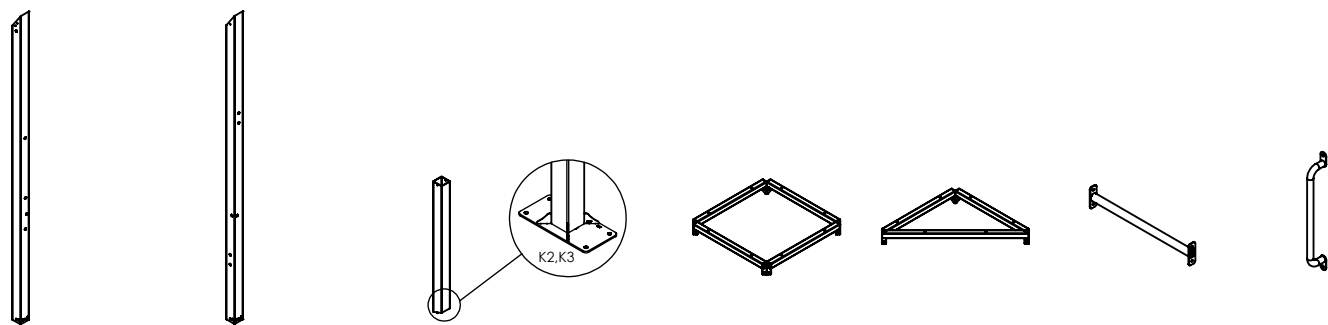
**NOT INCLUDED**



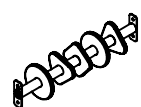
[cm]



1724A x1    1724B x1    1724C x1    1724D x1    1724E x1    1724F x1    1724G x1    1724H x1    1724I x1

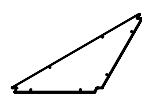


1724J x1    1724K x1    17UH x1    172100 x1    172101 x1    142117 x1    172107 x2

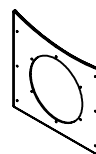


144126 x1

S1 	S6 	
171122 x1	171234 x1	171233 x1



171141 x1



171124 x1



996184 x1



171112 x2



171115 x2



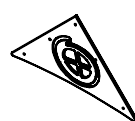
171113 x1



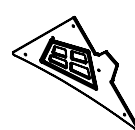
021146 x2



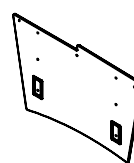
021149 x1



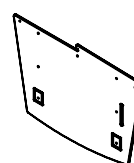
171102 x1



171103 x1



171100 x1



171101 x1



141326 x2



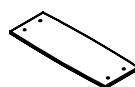
171144 x2



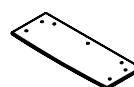
141325 x2



171130 x2



171131 x2



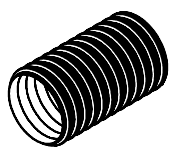
171134 x1



171132 x3



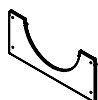
141345 x1



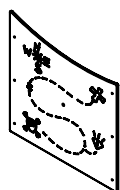
996132  
x1



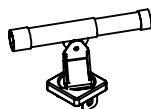
171160  
x2



171161  
x2



171142  
x1



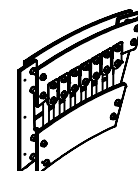
174136  
x1



991106  
x1

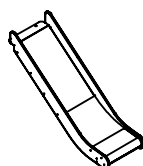


174116  
x1



174119  
x1

<b>K2, K3</b>	<b>K1, K2</b>	<b>K3</b>
b231 x11	P78-3 x2	b219-2 x2



994103  
x1

Qty.	ST/INOX
44	10 pp**
44	10 nh**
44	10x20 m**
26	10x25 ikl
26	10x30 ikl
14	10 pp
20	8x25 ikl
22	8x30 ikl
2	8 pp
1	17e034***
1	17e035*
1	V001

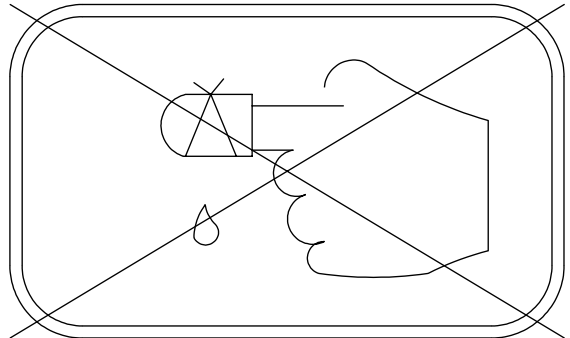
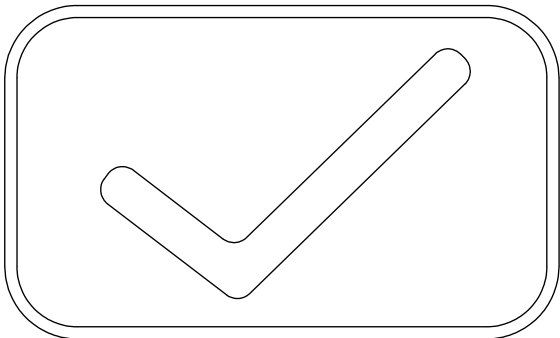
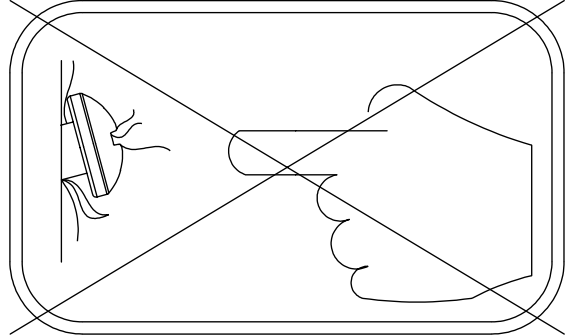
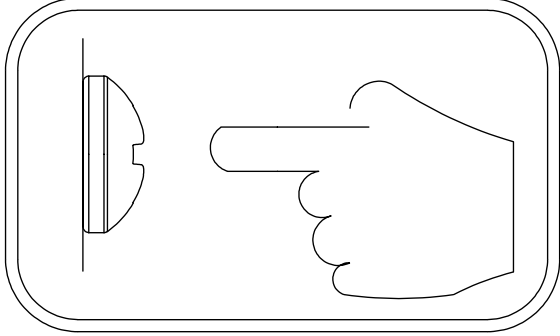
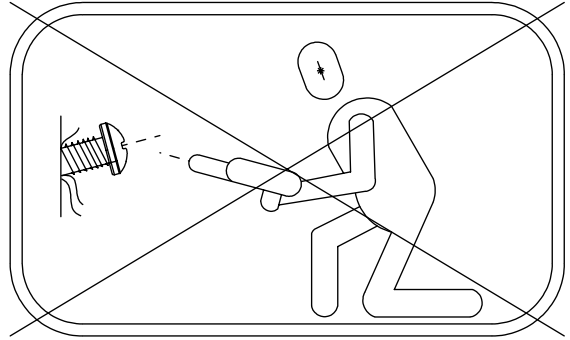
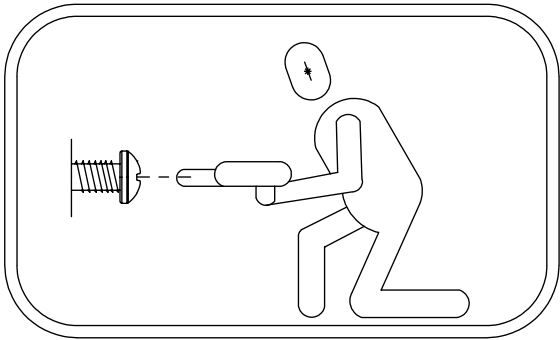
Qty.	HDPE
1	17c010
1	17c020
1	17c022
1	17c032
2	17c036
2	17c038
1	17c040
1	17c046

Qty.	HPL
2	17p005
1	17p017(s1)
1	17p019(s6)
3	17p025
1	17p027
1	17p061(s6)

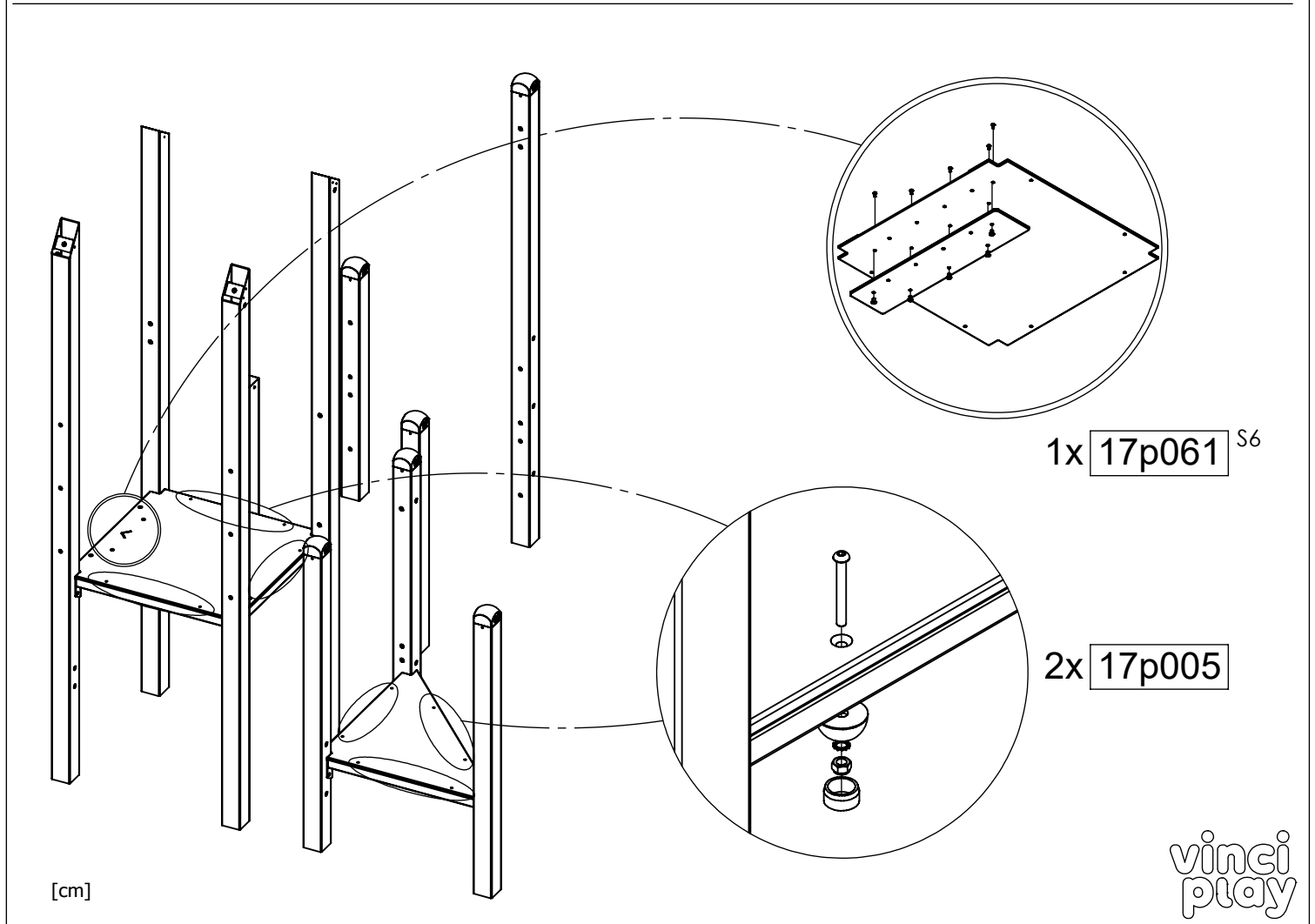
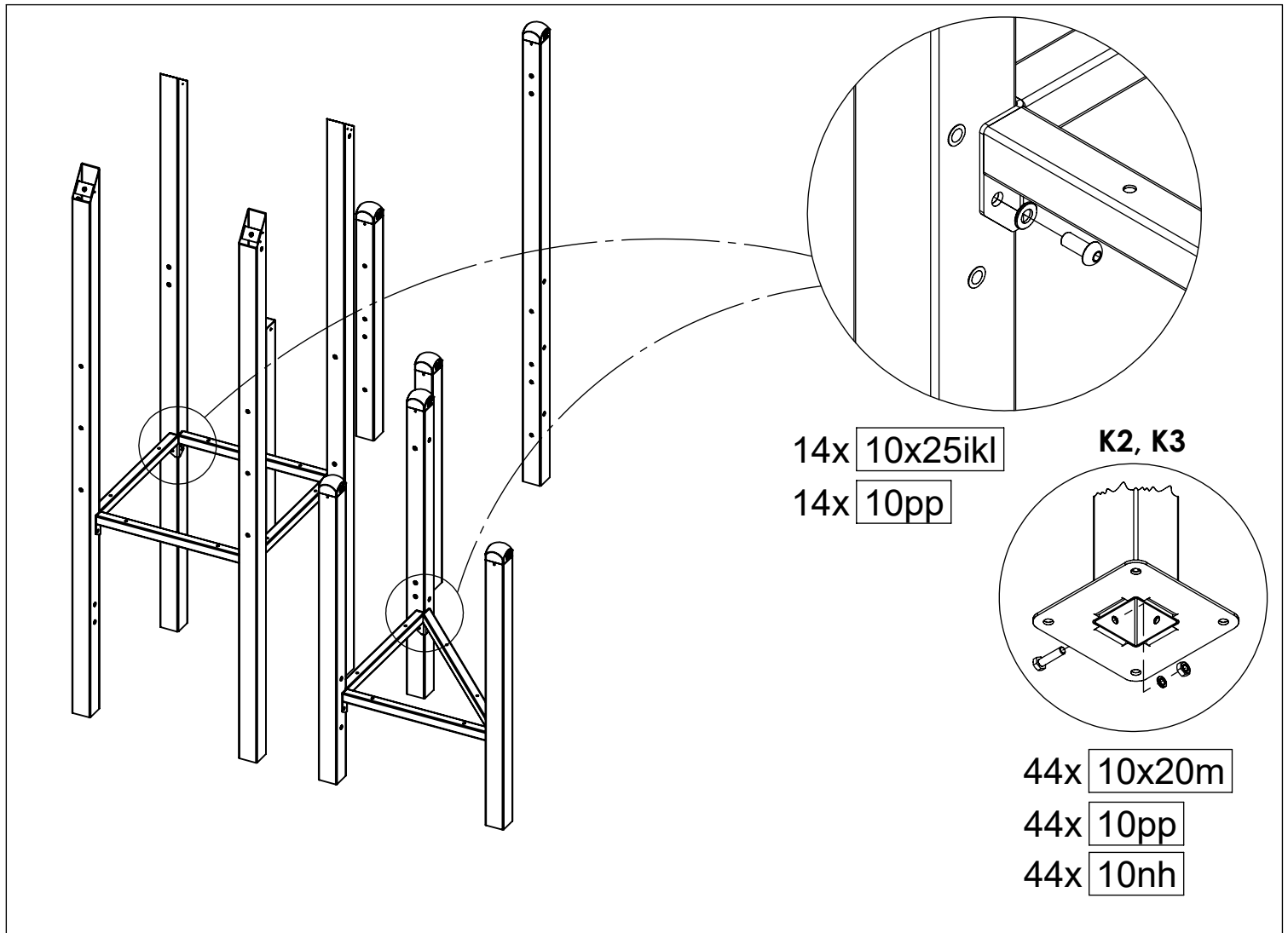
\*K2

\*\*K2, K3

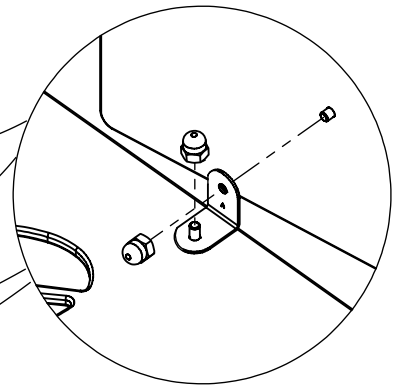
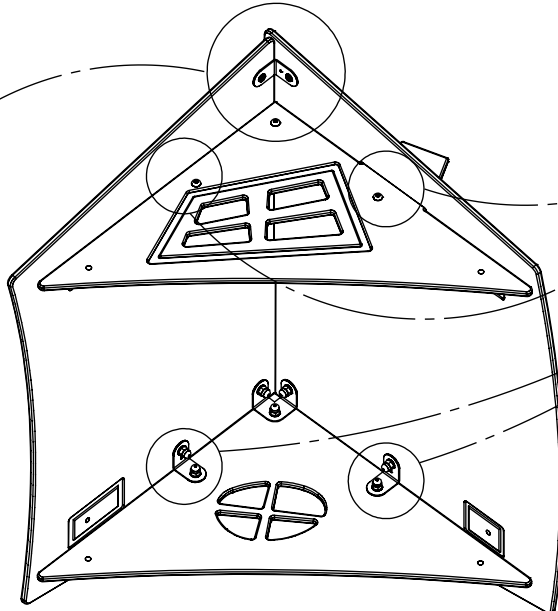
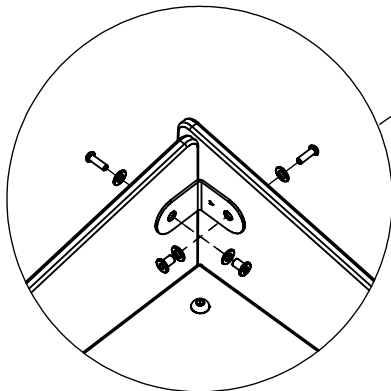
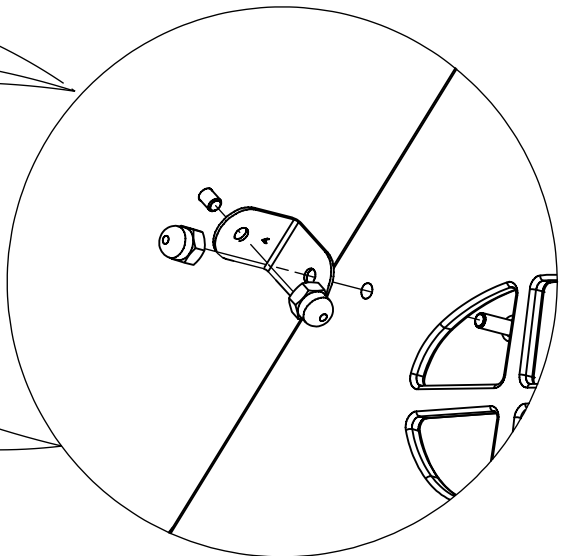
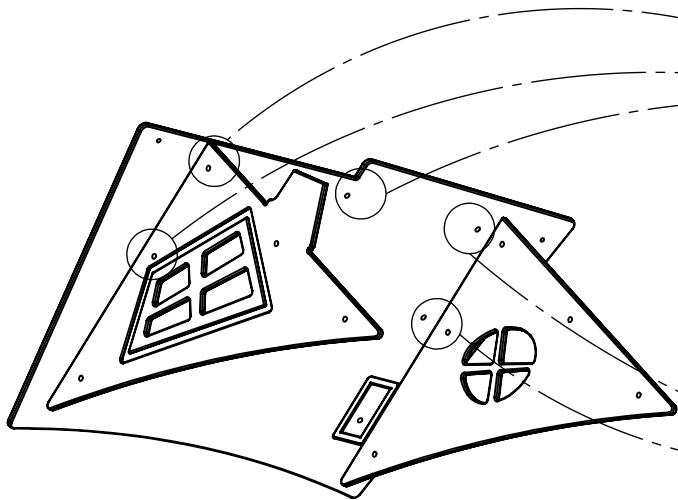
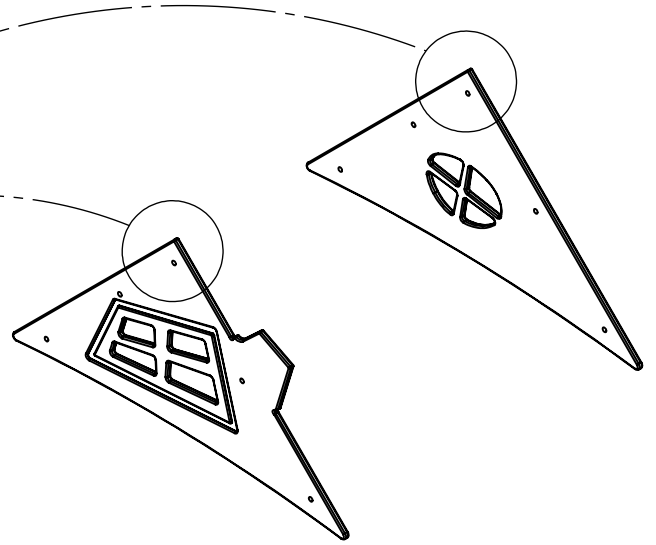
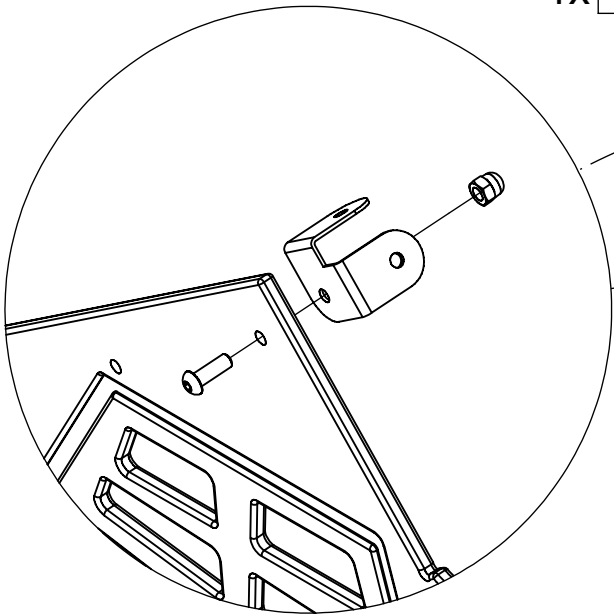
\*\*\*K1, K3





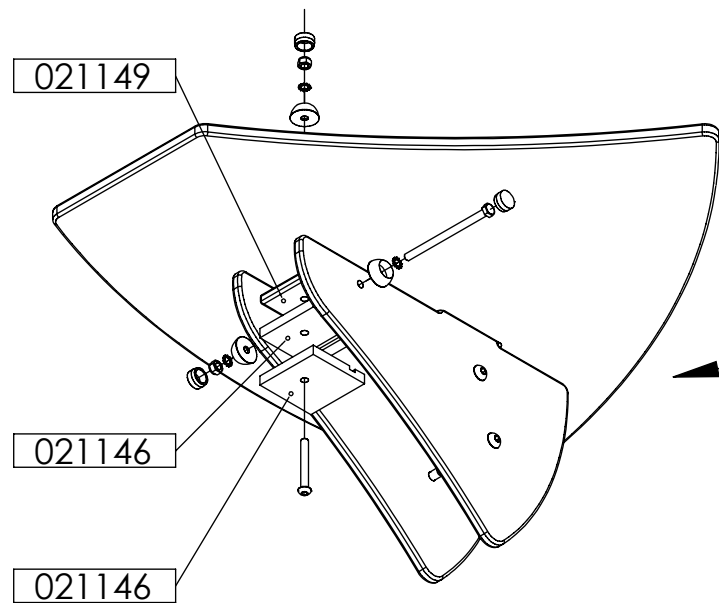
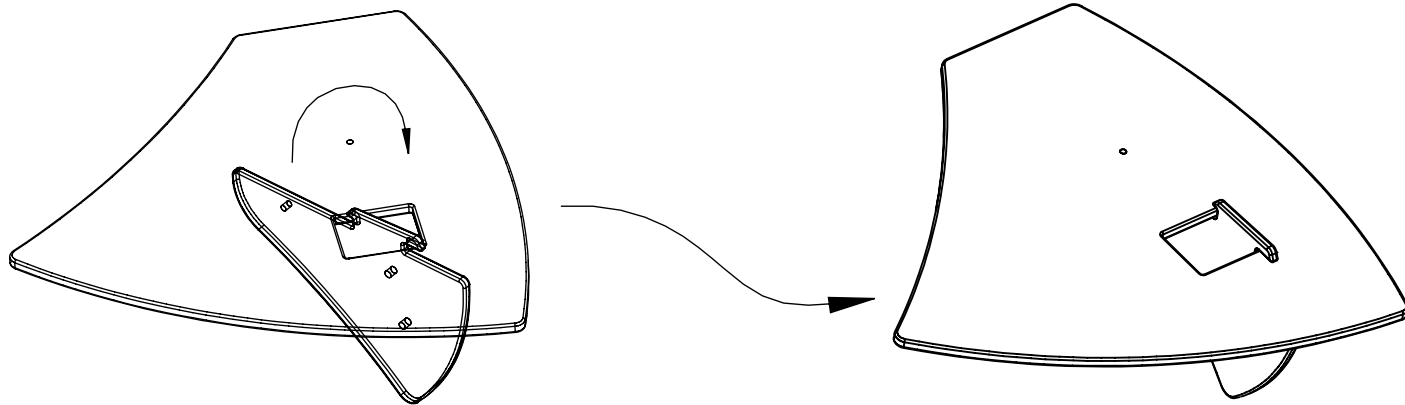


1x 17c020

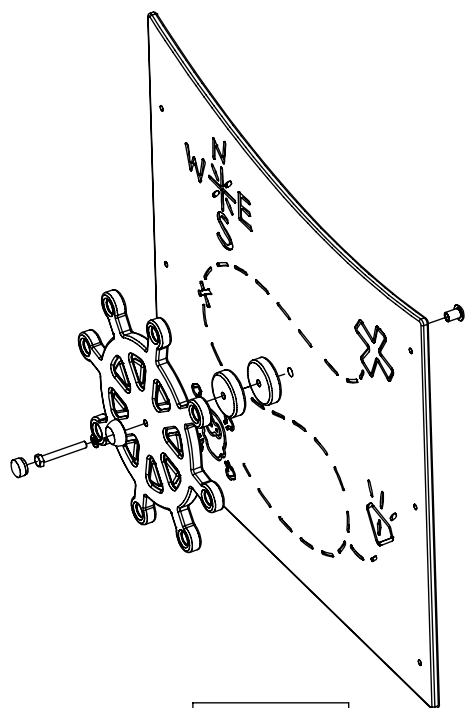
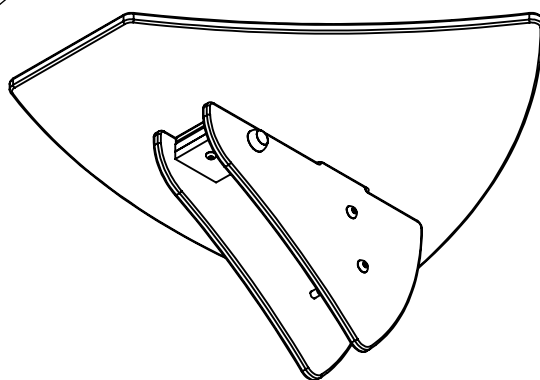


[cm]

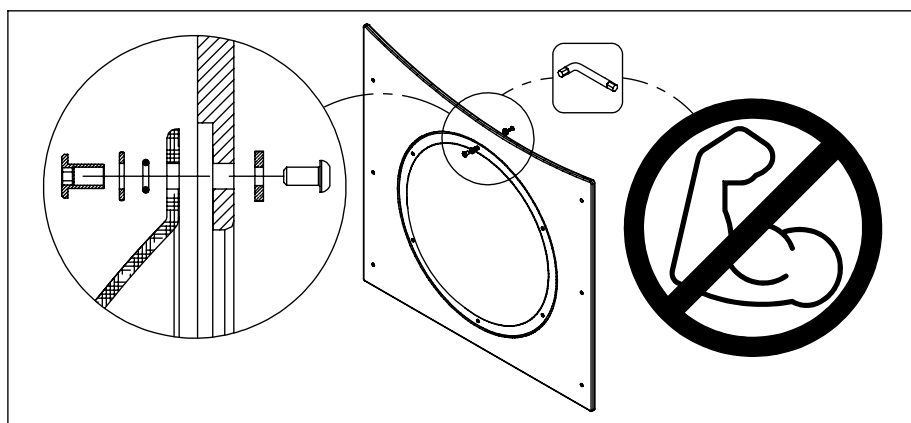
vinci  
play



1x 17c032



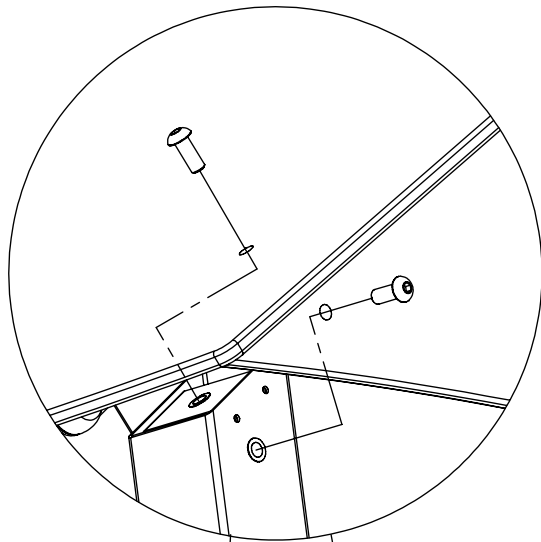
1x 17c040



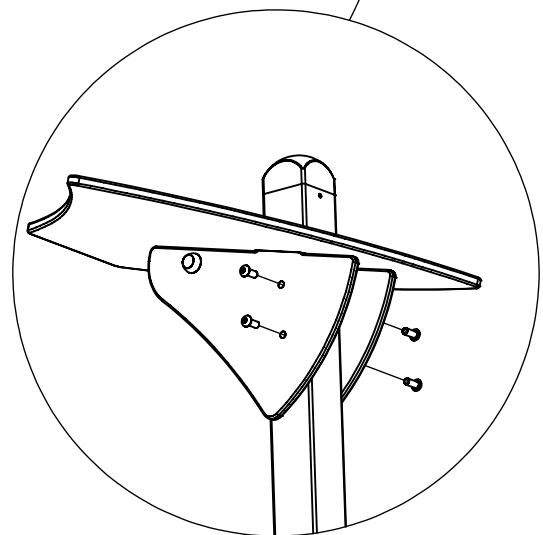
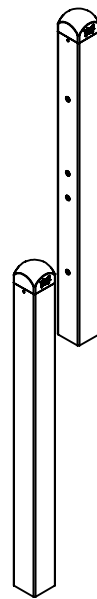
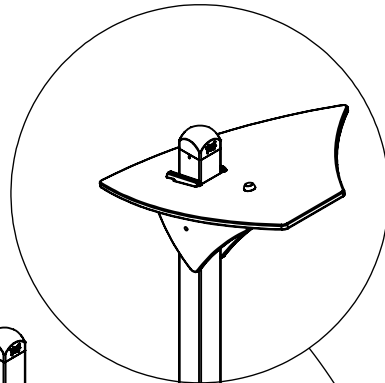
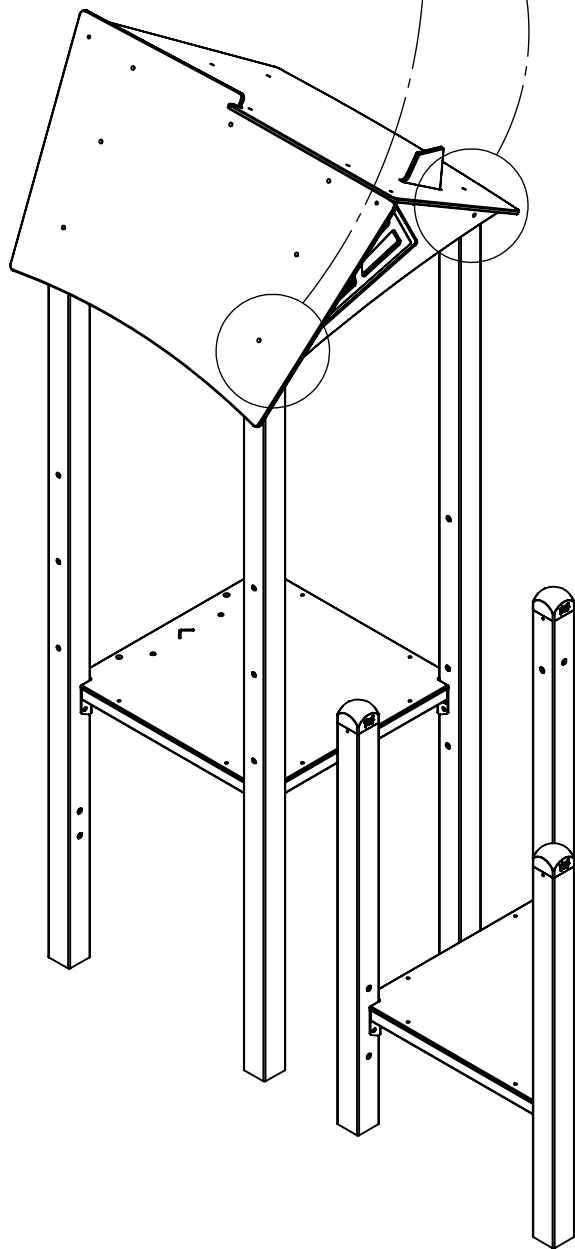
1x 17c010

[cm]

vinci  
play



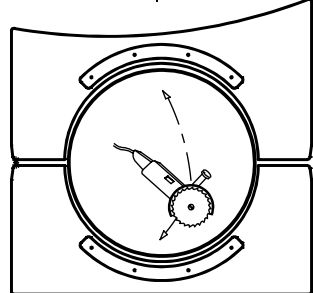
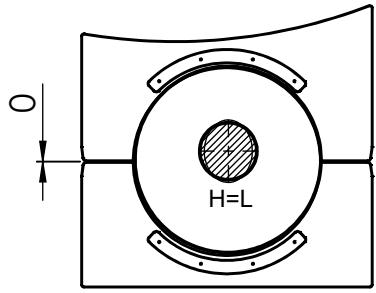
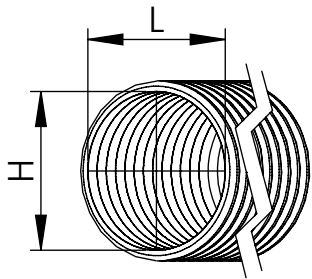
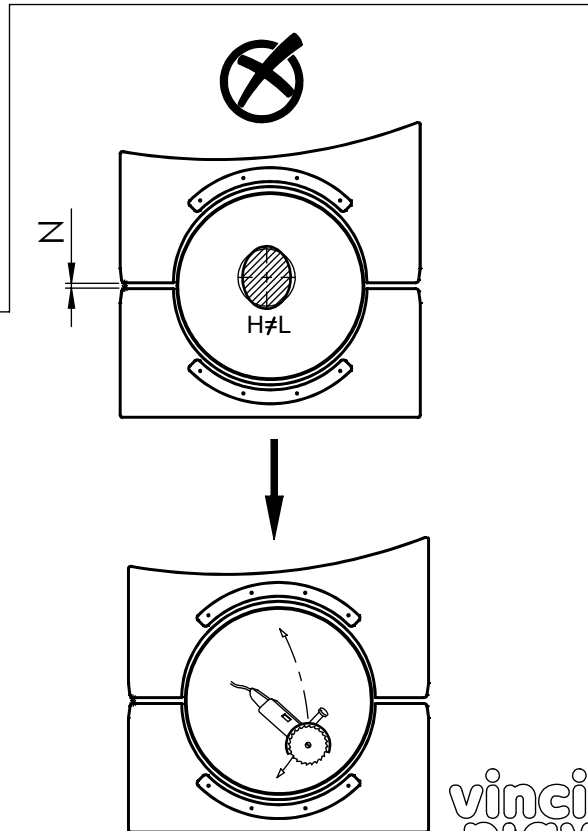
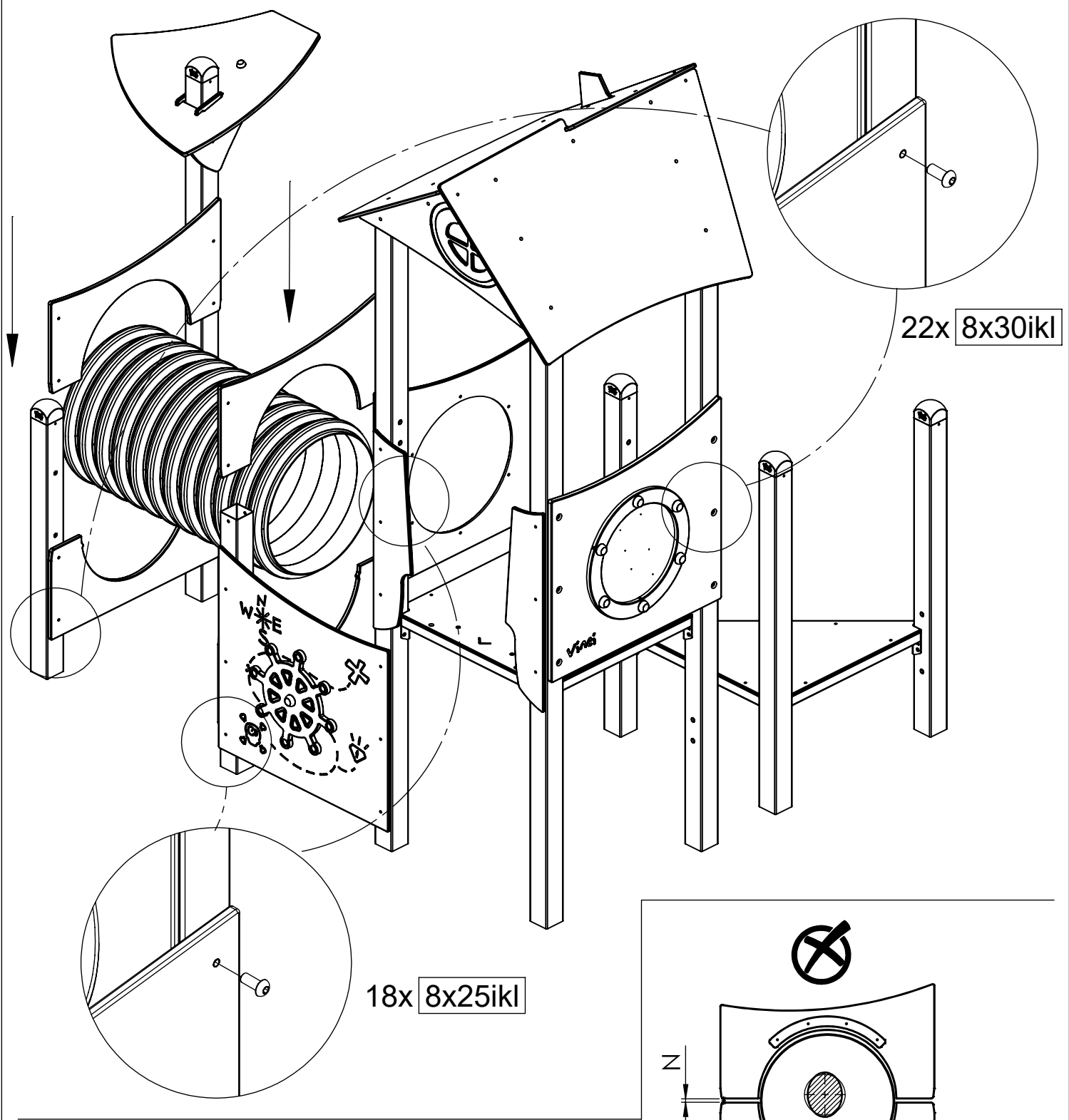
8x 10x30i



4x 10x30i

[cm]

vinci  
play

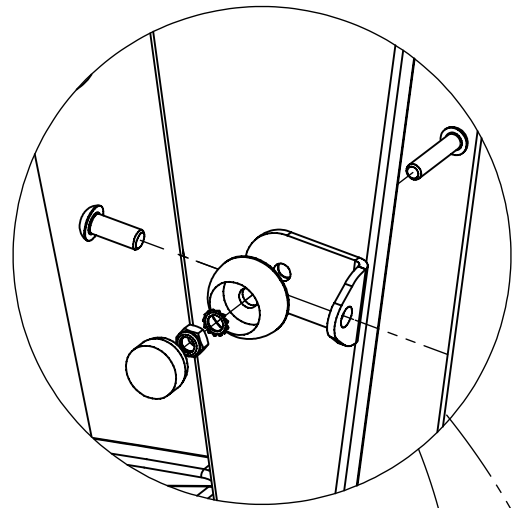
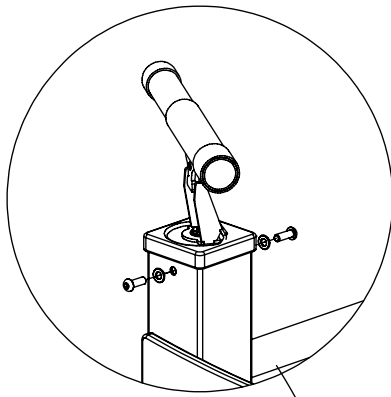


[cm]

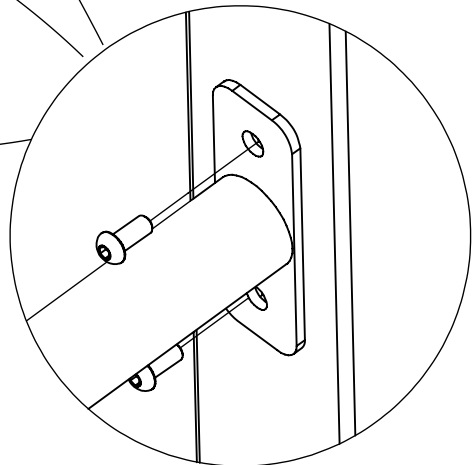
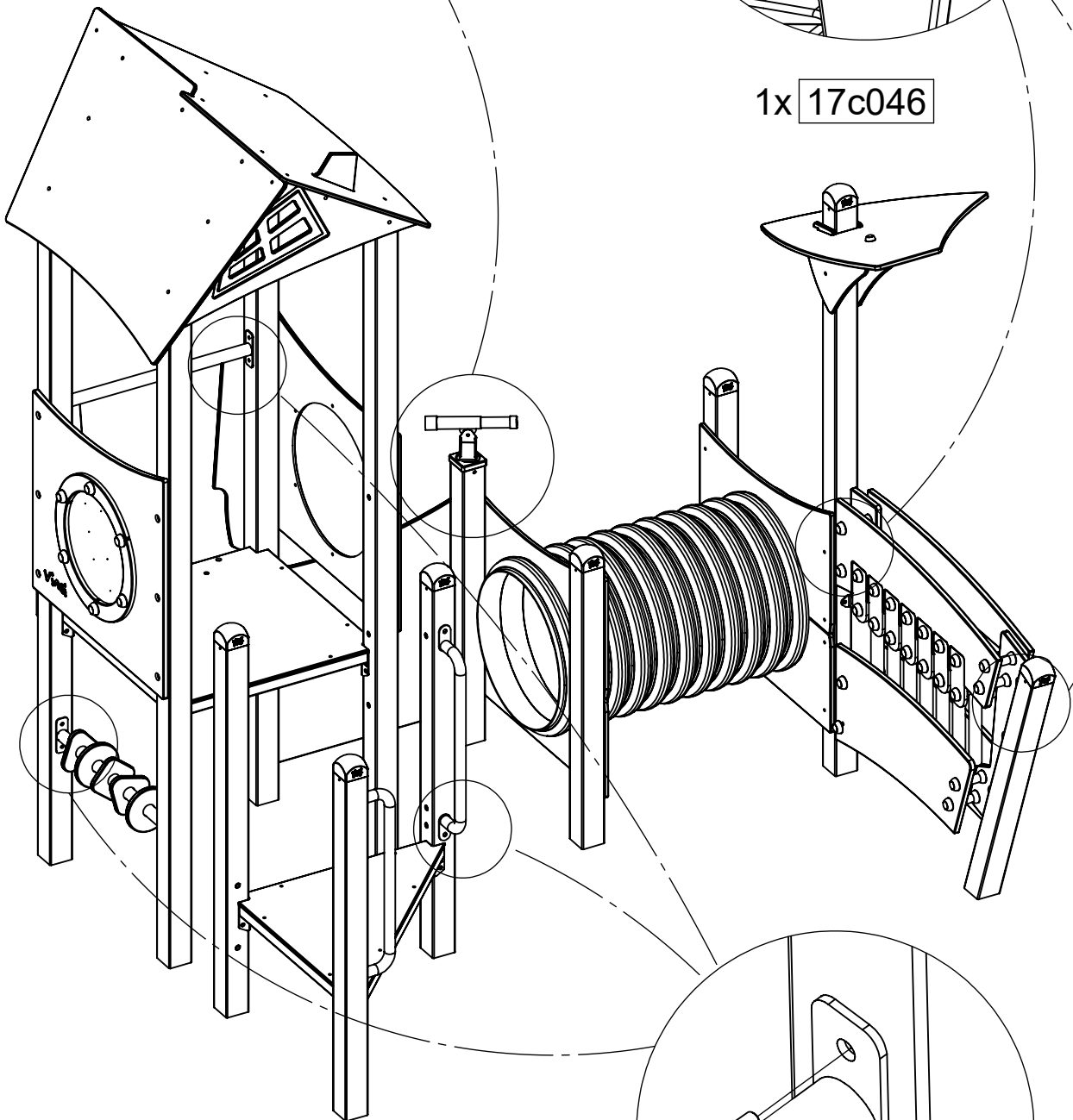
vinci play

2x 8x25ikl

2x 8pp



1x 17c046

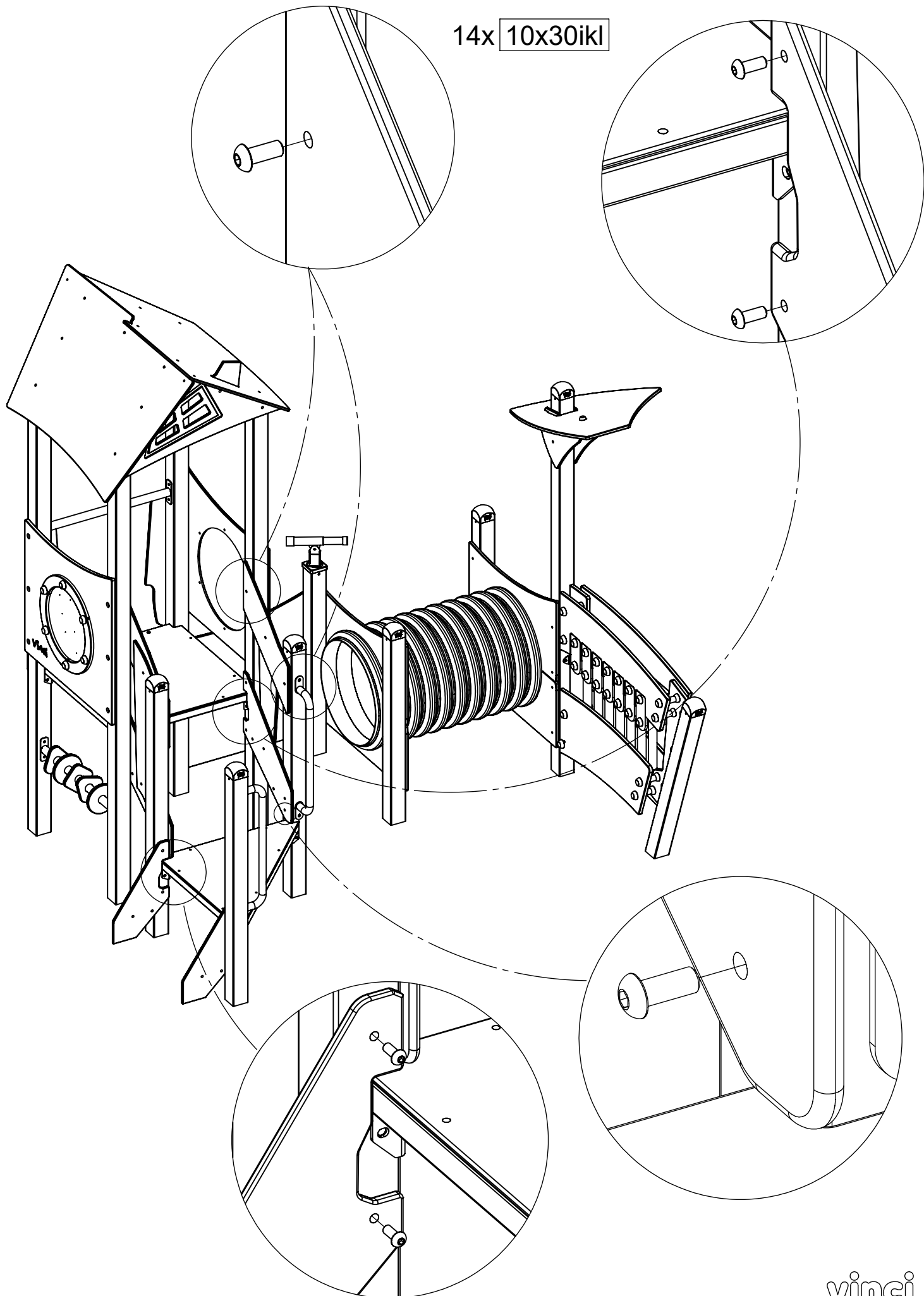


12x 10x25ikl

[cm]

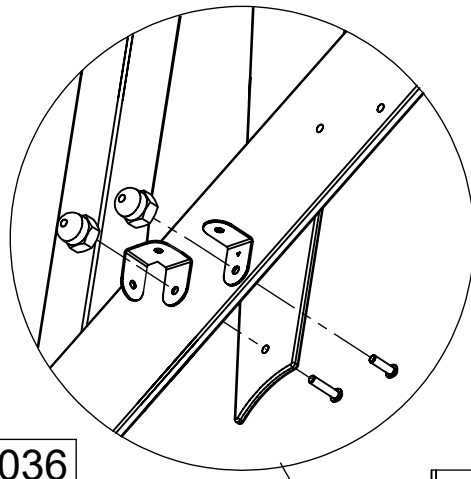
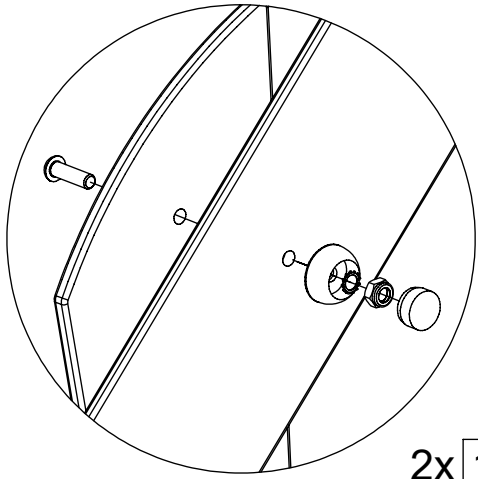
vinci  
play

14x 10x30i kl

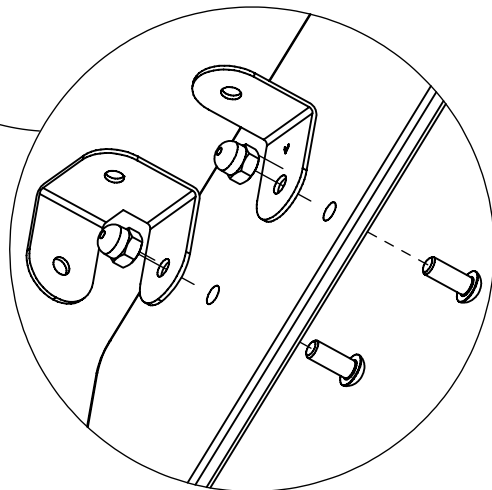
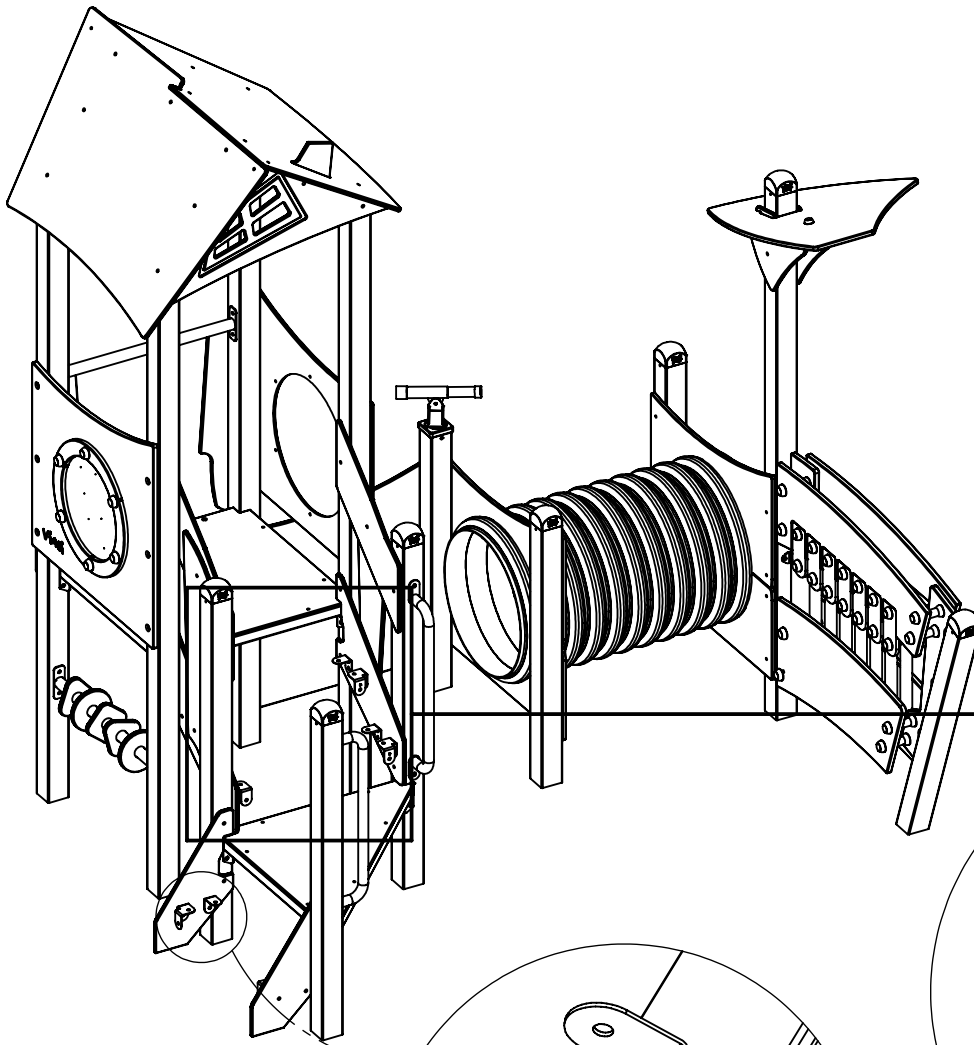
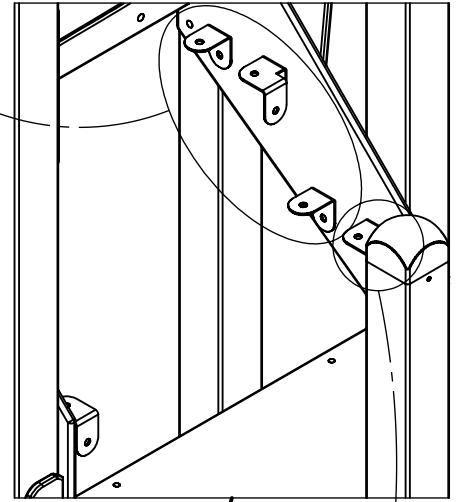


[cm]

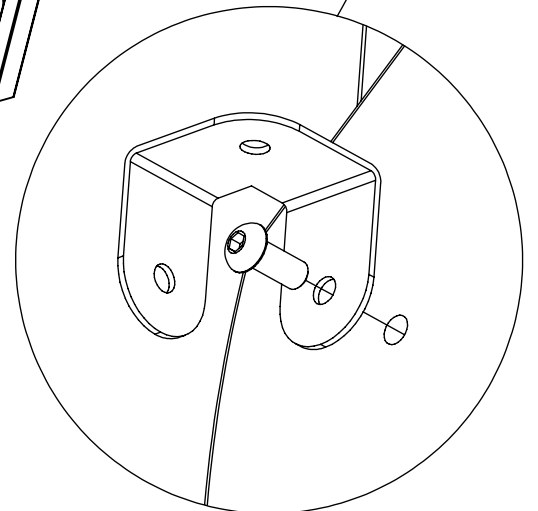
vinci  
play



2x 17c036



2x 17c038

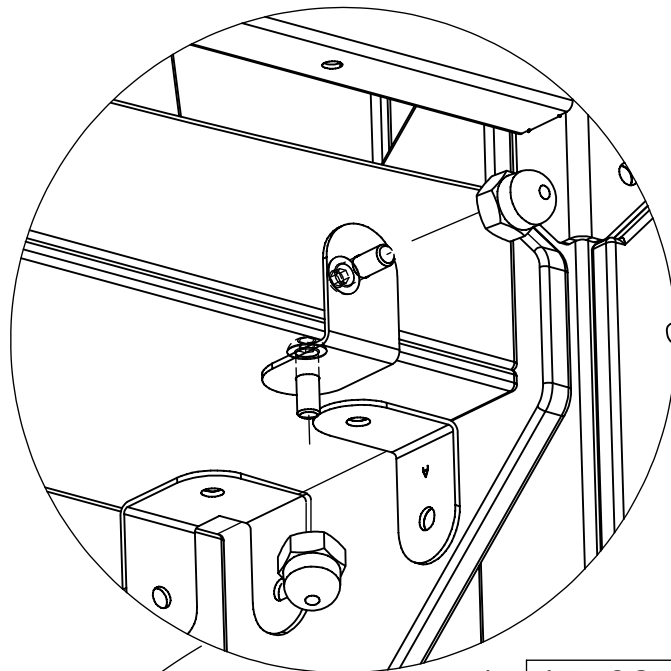


1x 17c022

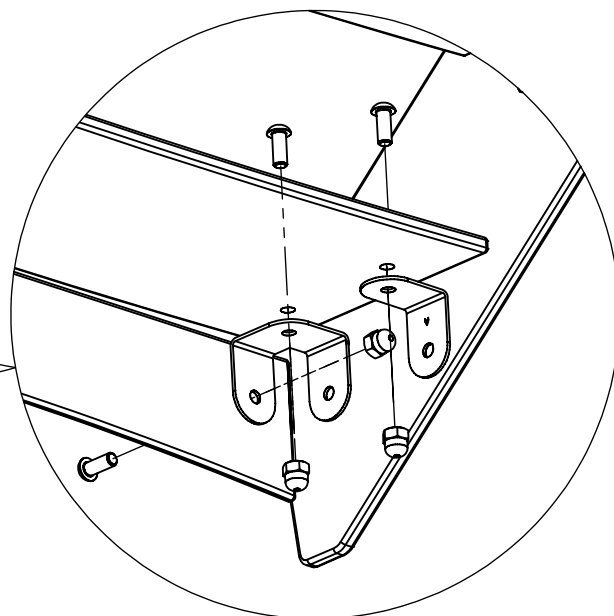
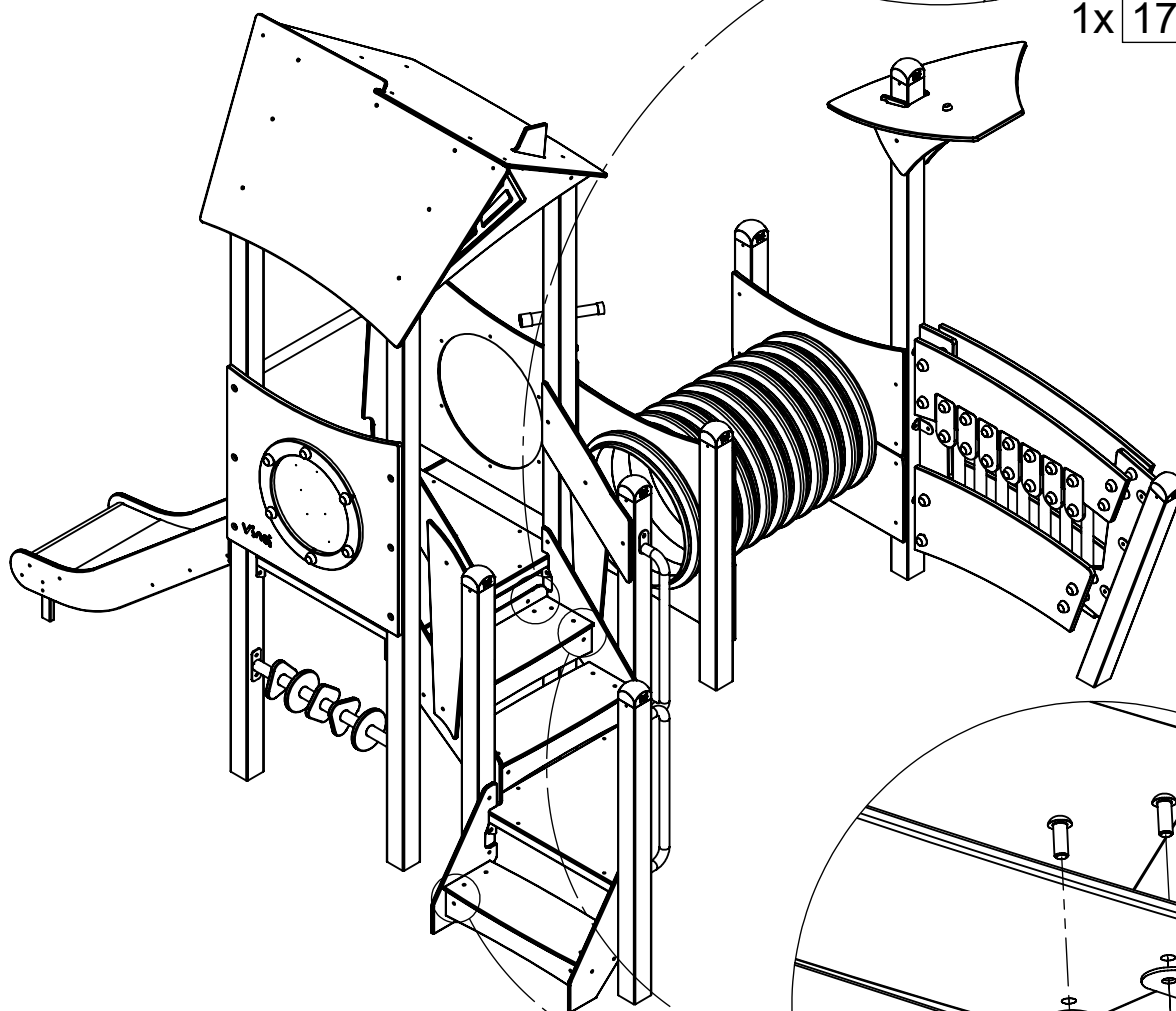
[cm]

vinci  
play





1x 17p027

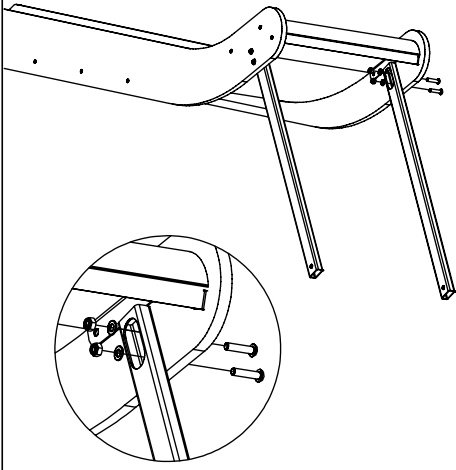


3x 17p025

[cm]

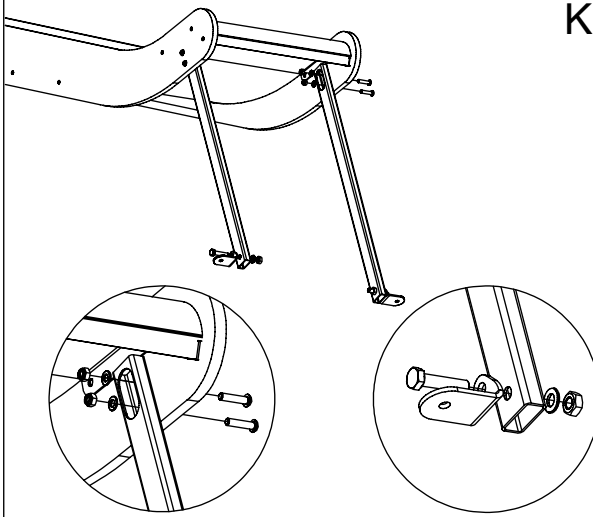
vinci  
play

K1



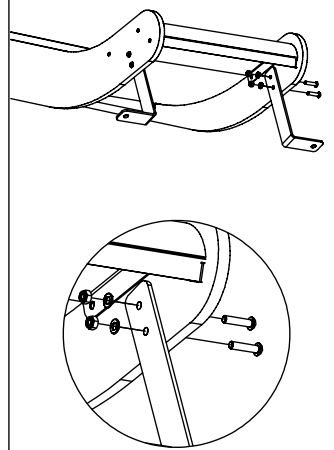
1x 17e034

K2

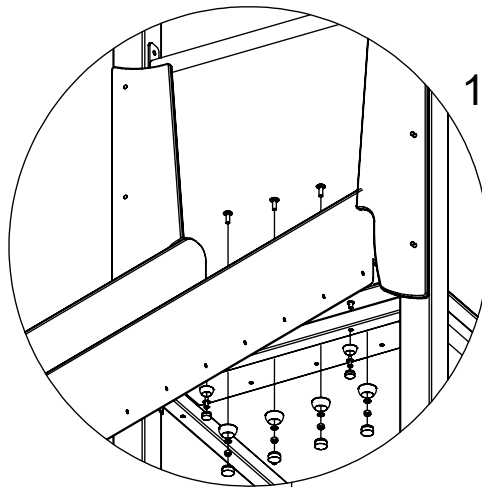


1x 17e035

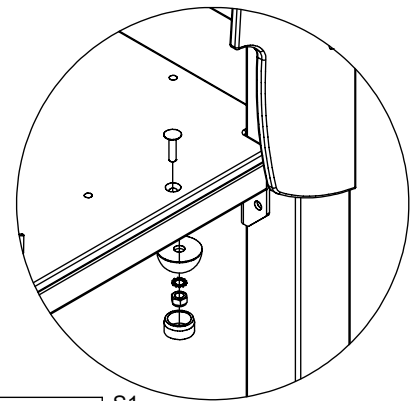
K3



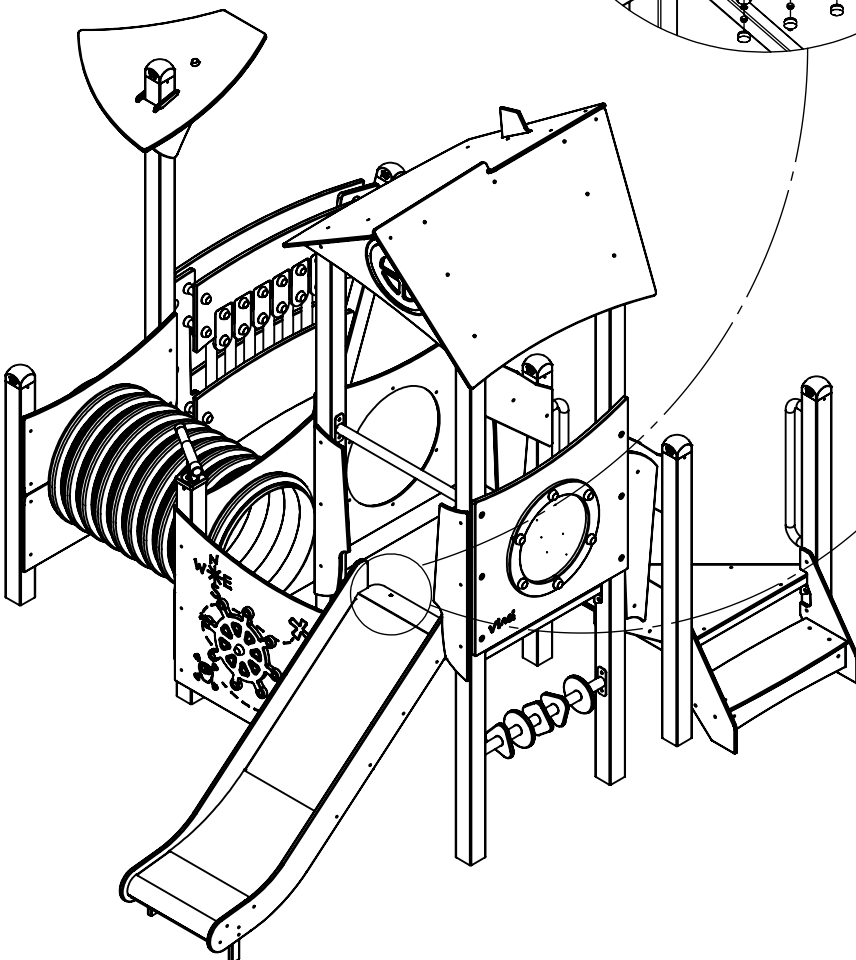
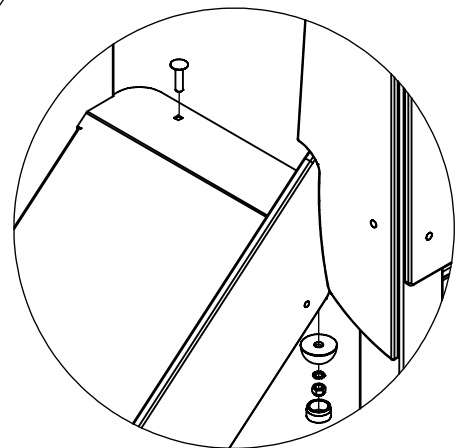
1x 17e034



1x 17p019 <sup>S6</sup>



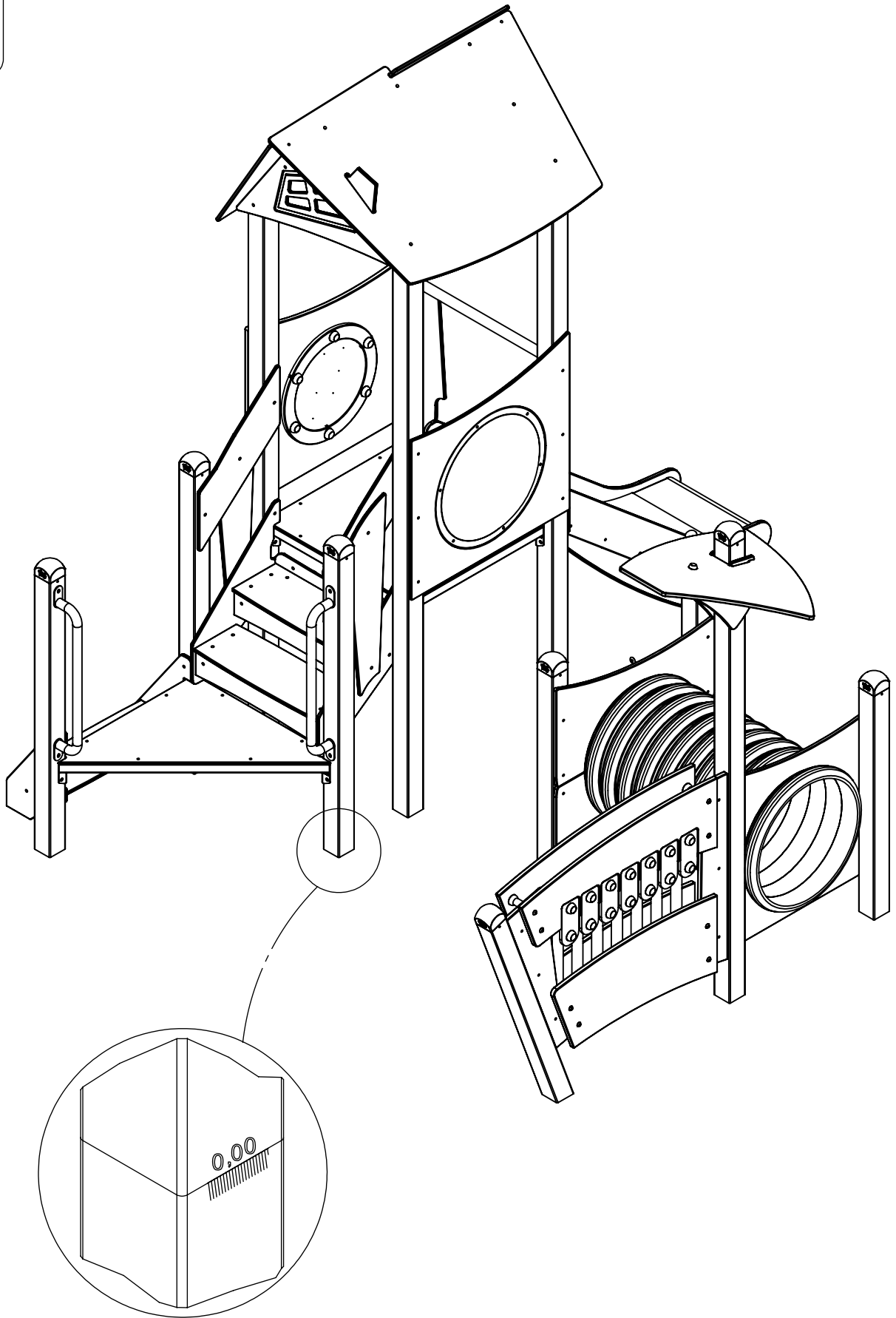
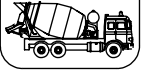
1x 17p017 <sup>S1</sup>



[cm]

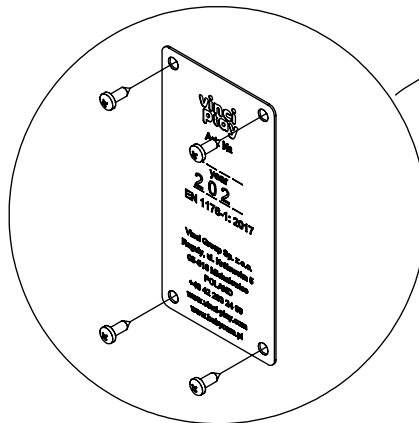
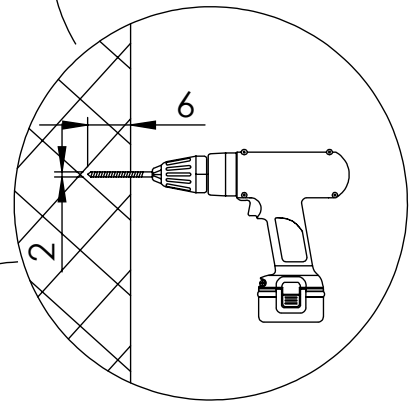
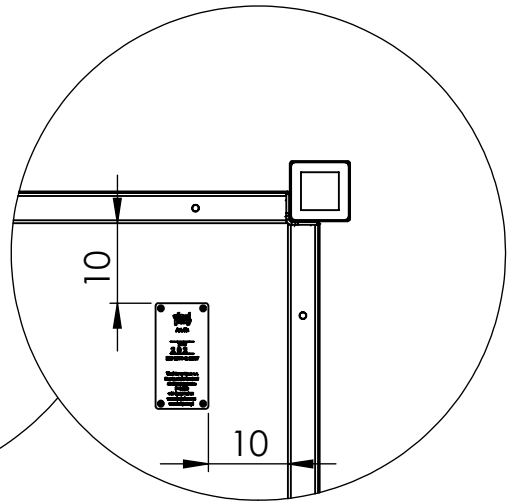
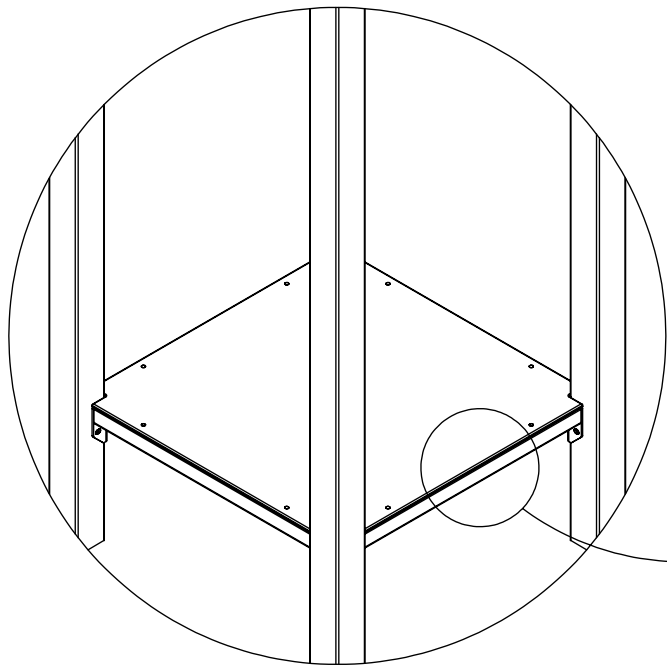
vinci play

48h



[cm]

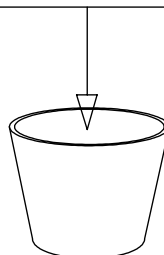
vinci  
play



V001

Part No:  
000000-  
00000

000000-00000



[cm]

vinci  
play