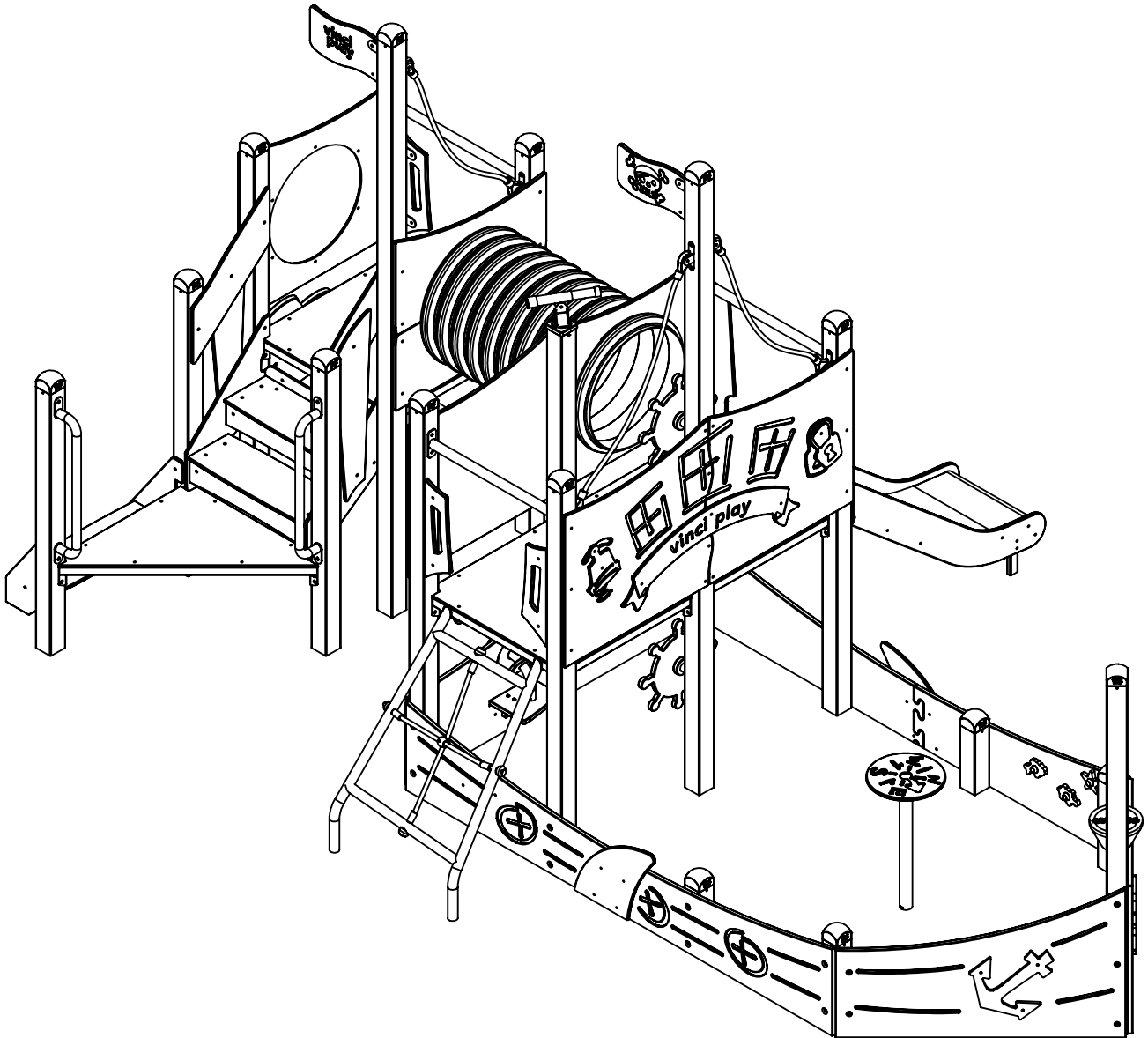
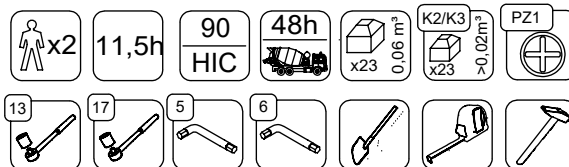


1736

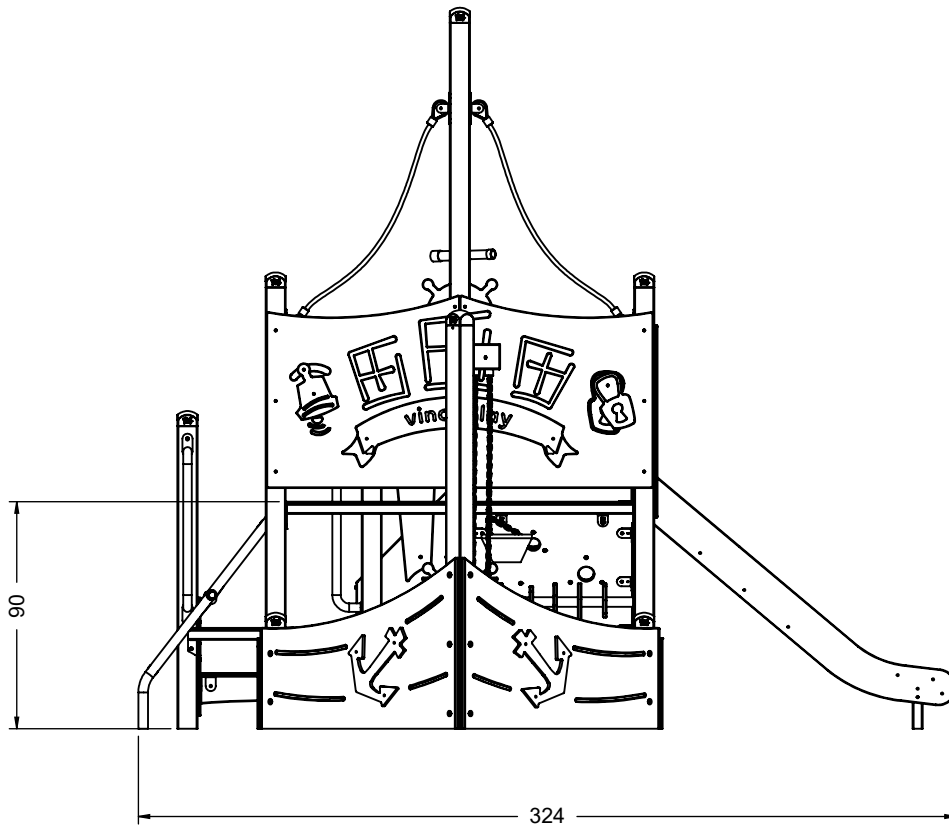
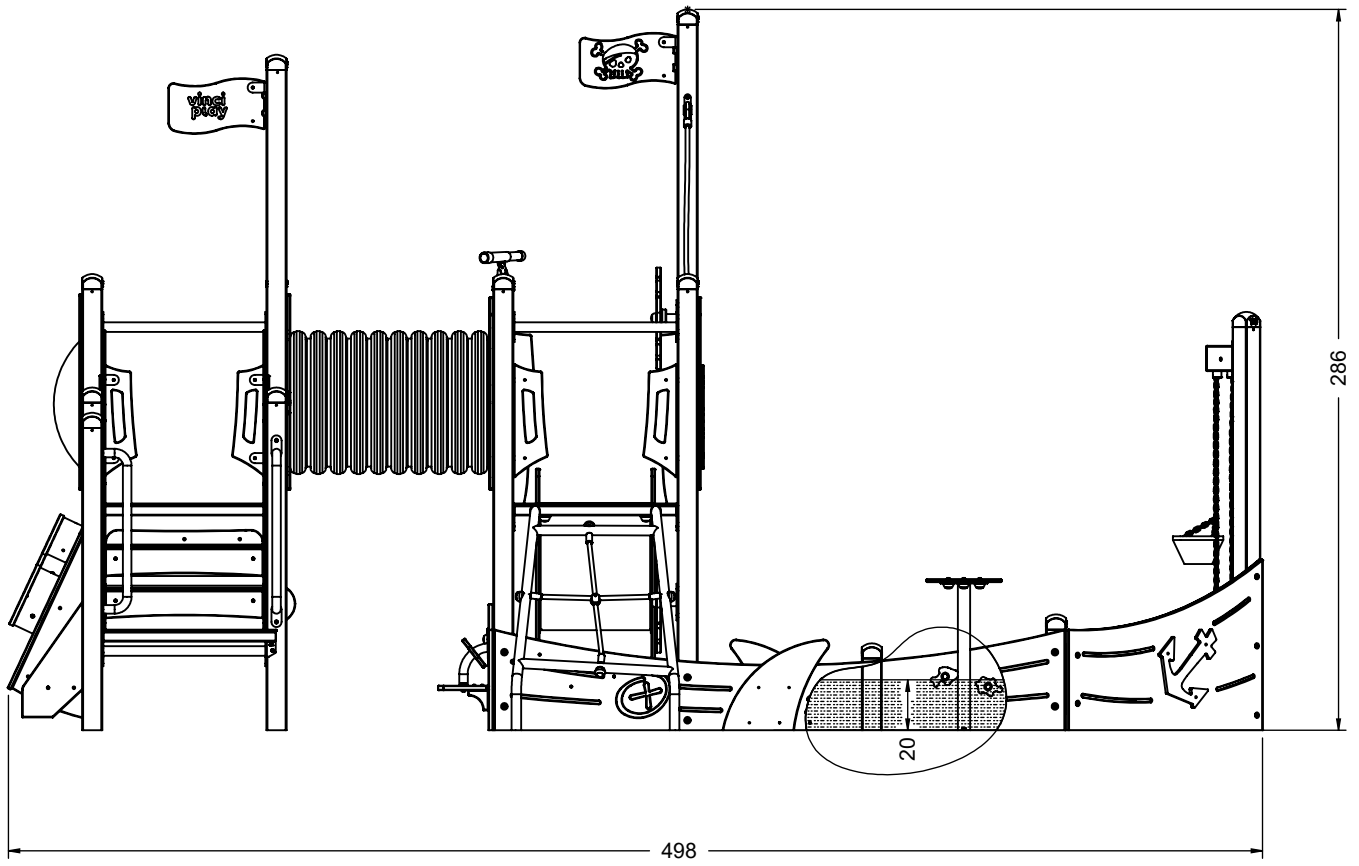


[cm]

v012 / 12.05.2021
D.P.

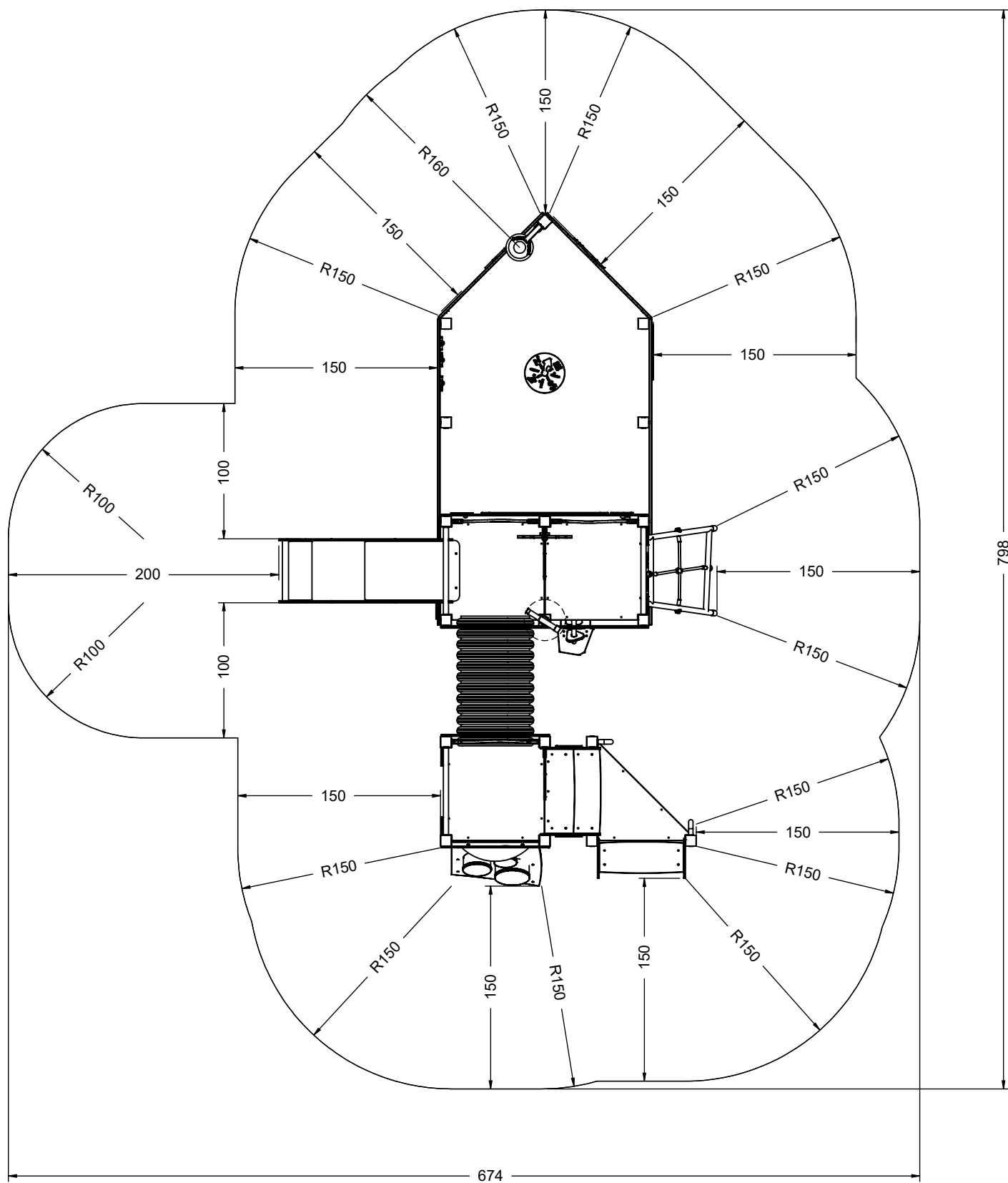


vinci
play

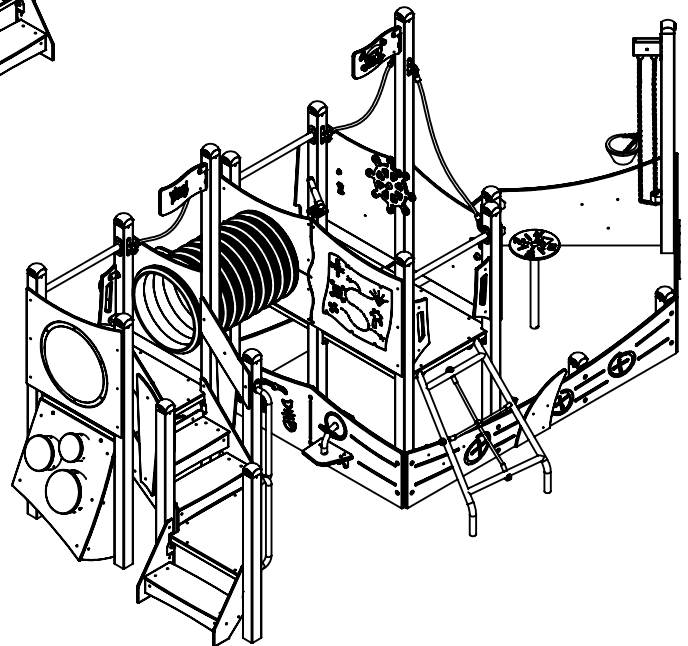
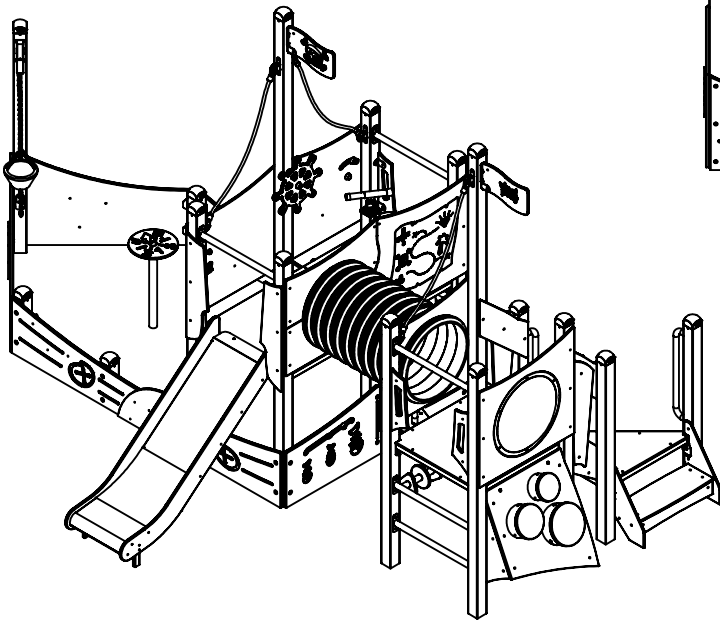
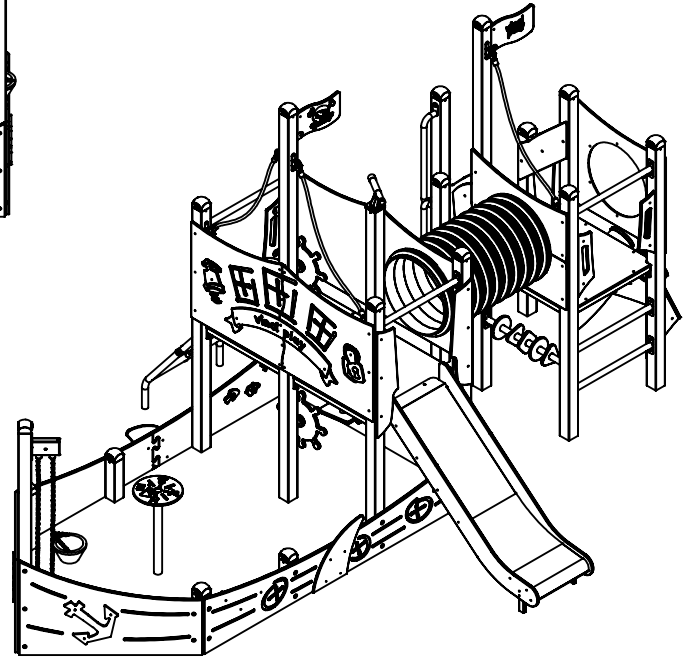
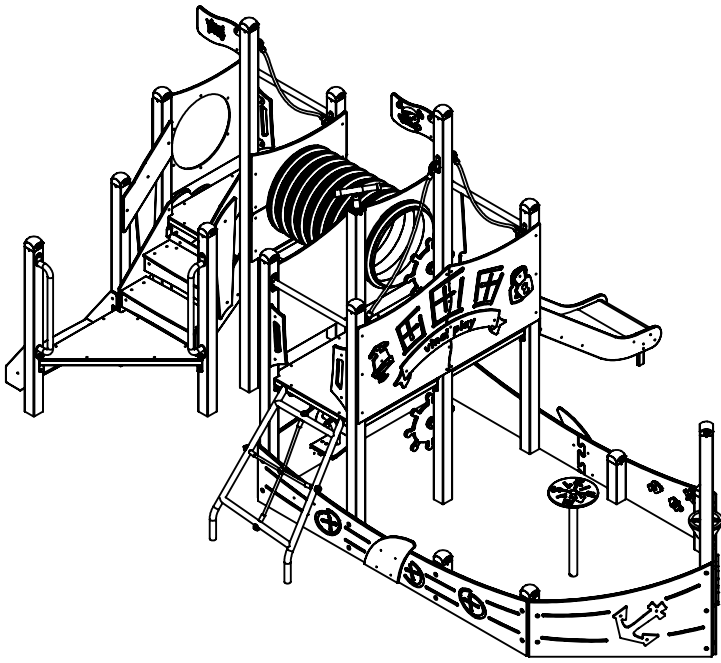


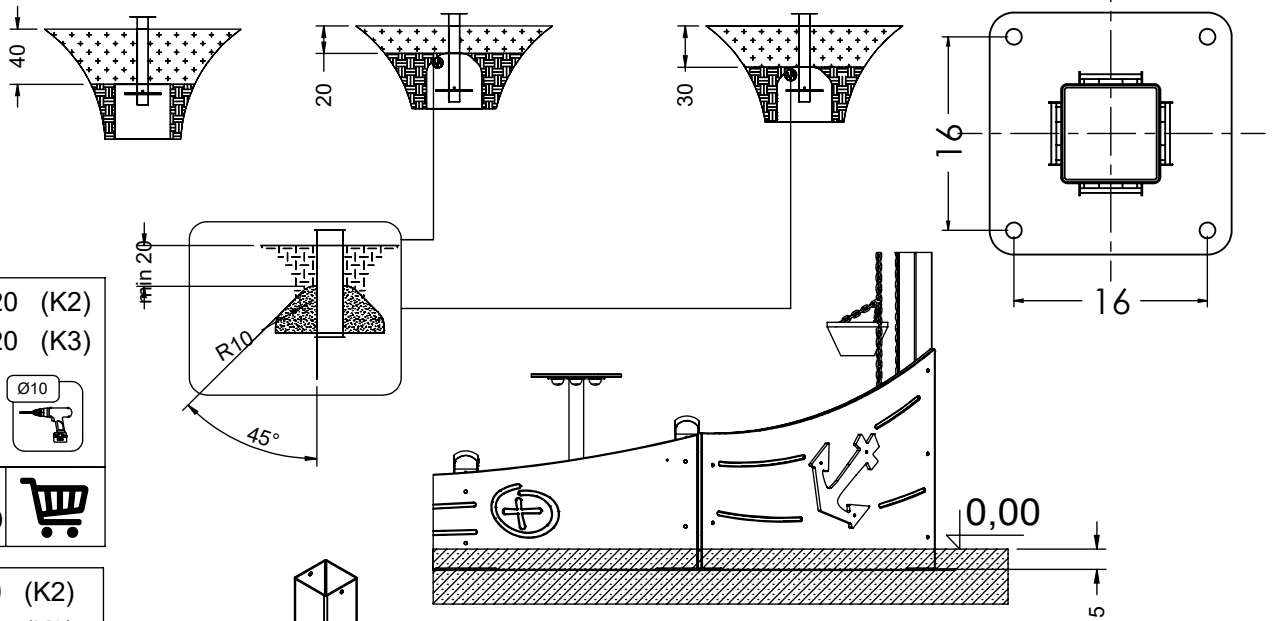
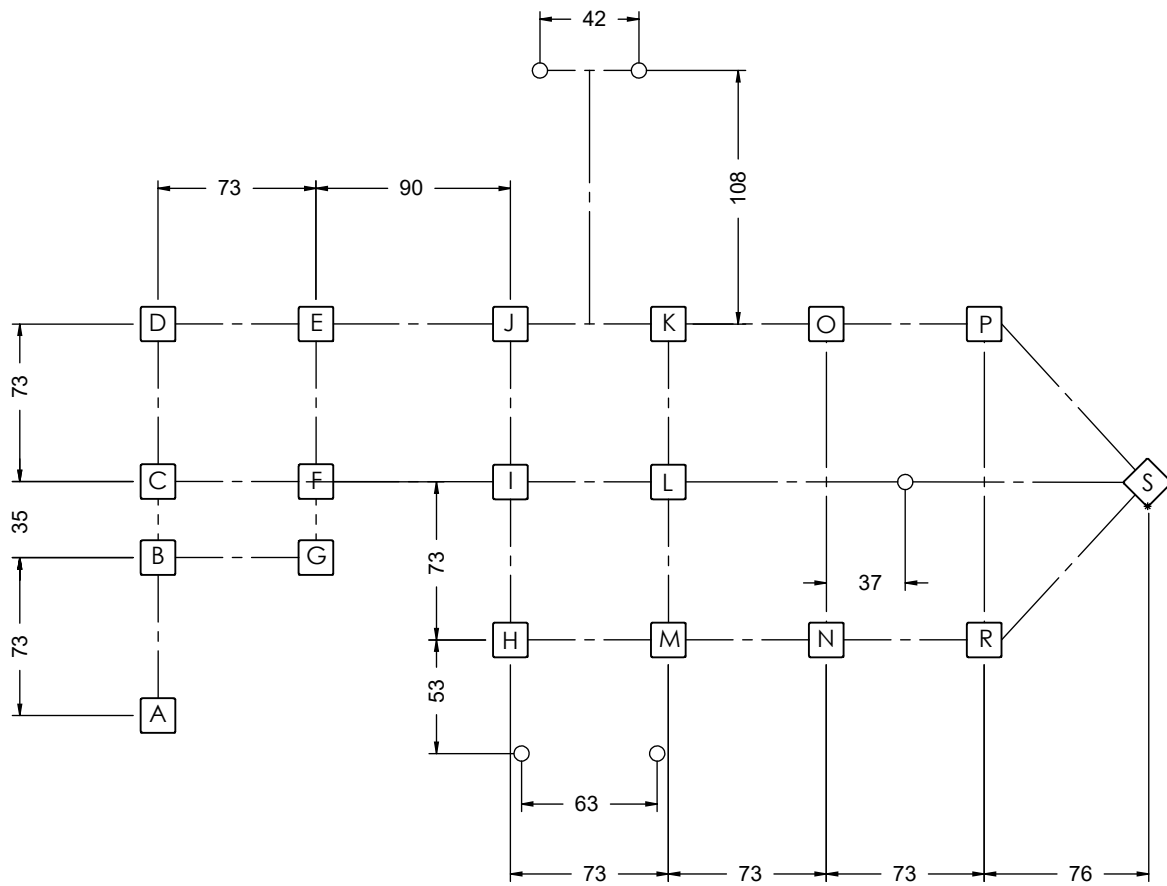
[cm]

vinci
play



[cm]





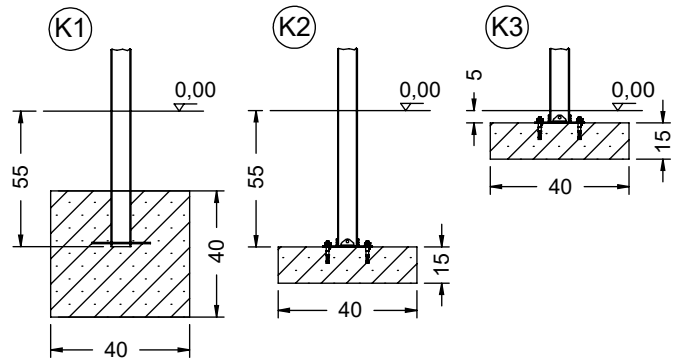
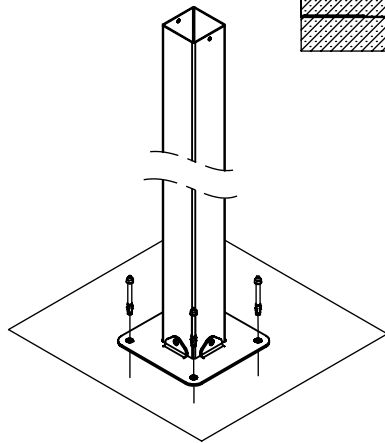
72x M10x120 (K2)
74x M10x120 (K3)

NOT INCLUDED

4x M8x120 (K2)
2x M8x120 (K3)

NOT INCLUDED

0,06 m³
x23



[cm]



11,5h



vinci
play



1736A
x1



1736B
x1



1736C
x1



1736D
x1



1736E
x1



1736F
x1



1736G
x1



1736H
x1



1736I
x1



1736J
x1



1736K
x1



1736L
x1



1736M
x1



1736N
x1



1736O
x1



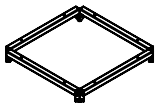
1736P
x1



1736R
x1



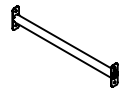
1736S
x1



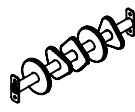
172100
x3



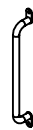
172101
x1



142117
x5



144126
x1



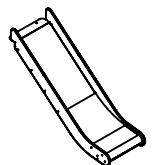
172107
x2



082149
x1

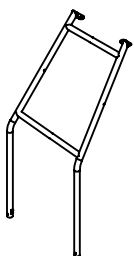


994119
x2



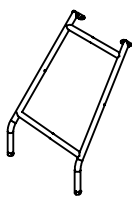
994103
x1

K1, K2



142106
x1

K3



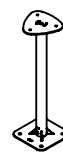
142152
x1

K1, K2



042163
x1

K3




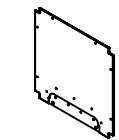

042165
x1




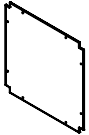



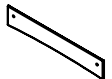

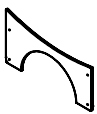





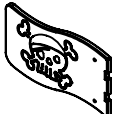









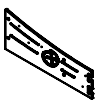

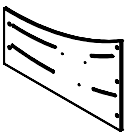
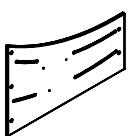
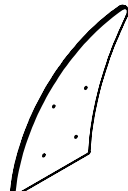

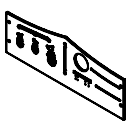
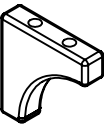



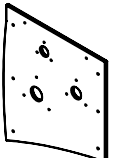





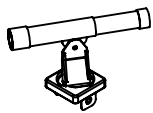
i171
x2



i93
x2

S1	S6	
		
171122	171234	171233
x1	x1	x1

							
141345	141326	141325	171123	171141	171131	171134	171132
x1	x2	x2	x2	x1	x2	x1	x3
							
171137	171160	171161	171211	171212	171210	991104	991105
x4	x1	x1	x1	x1	x1	x1	x1
							
991106	991119	991118	171213	171214	171218	171219	031652
x2	x2	x2	x1	x1	x1	x1	x1
							
141267	171259	171260	171216	171217	031581	141155	171220
x1	x2	x2	x1	x1	x2	x2	x1
							
991250	991107	991108	991109	171119	171125	171126	171127
x4	x1	x1	x1	x1	x1	x1	x1



174136
x1



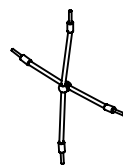
996228
x1



996229
x1



996230
x1



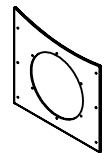
145113
x1



995137
x3

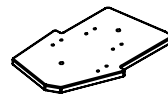


996184
x1

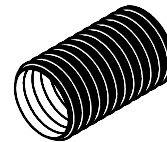


171124
x1

K2, K3	K1, K2	K3
b231 x18	P78-3 x2	b219-2 x2



081286
x1



996132
x1



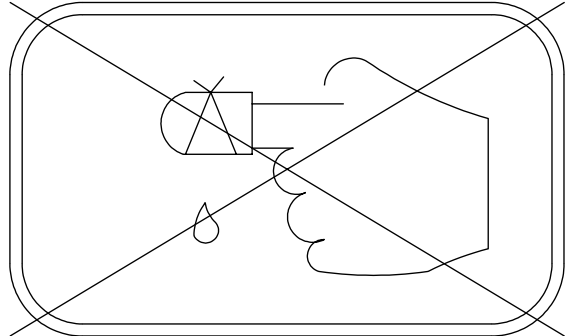
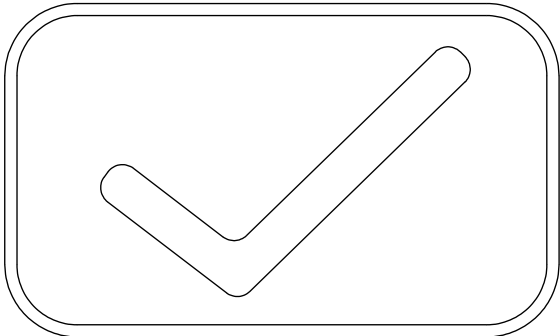
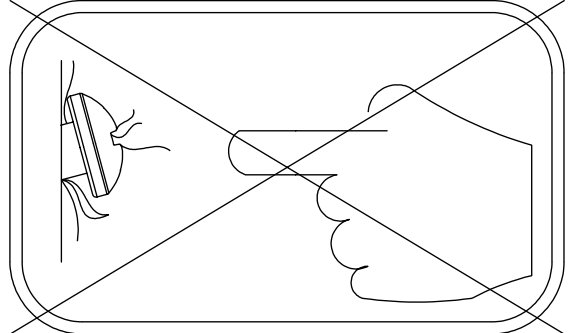
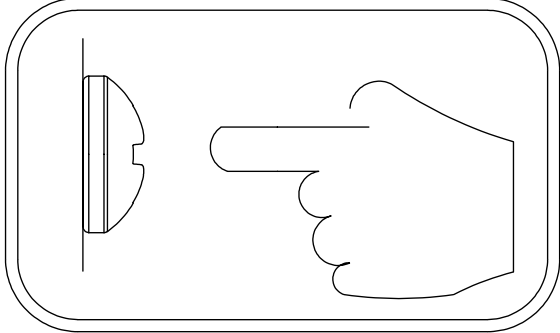
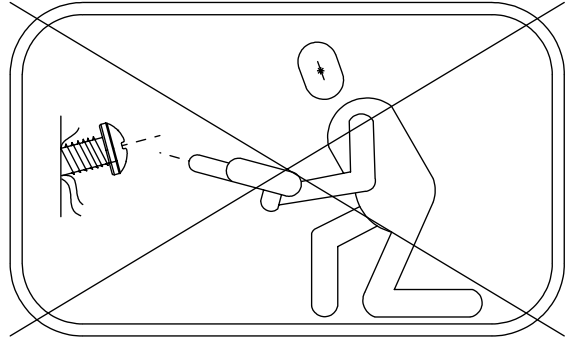
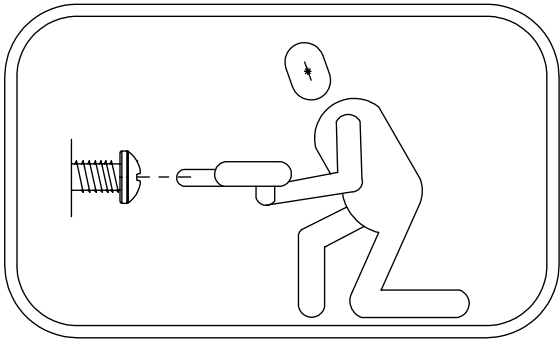
994121
x1

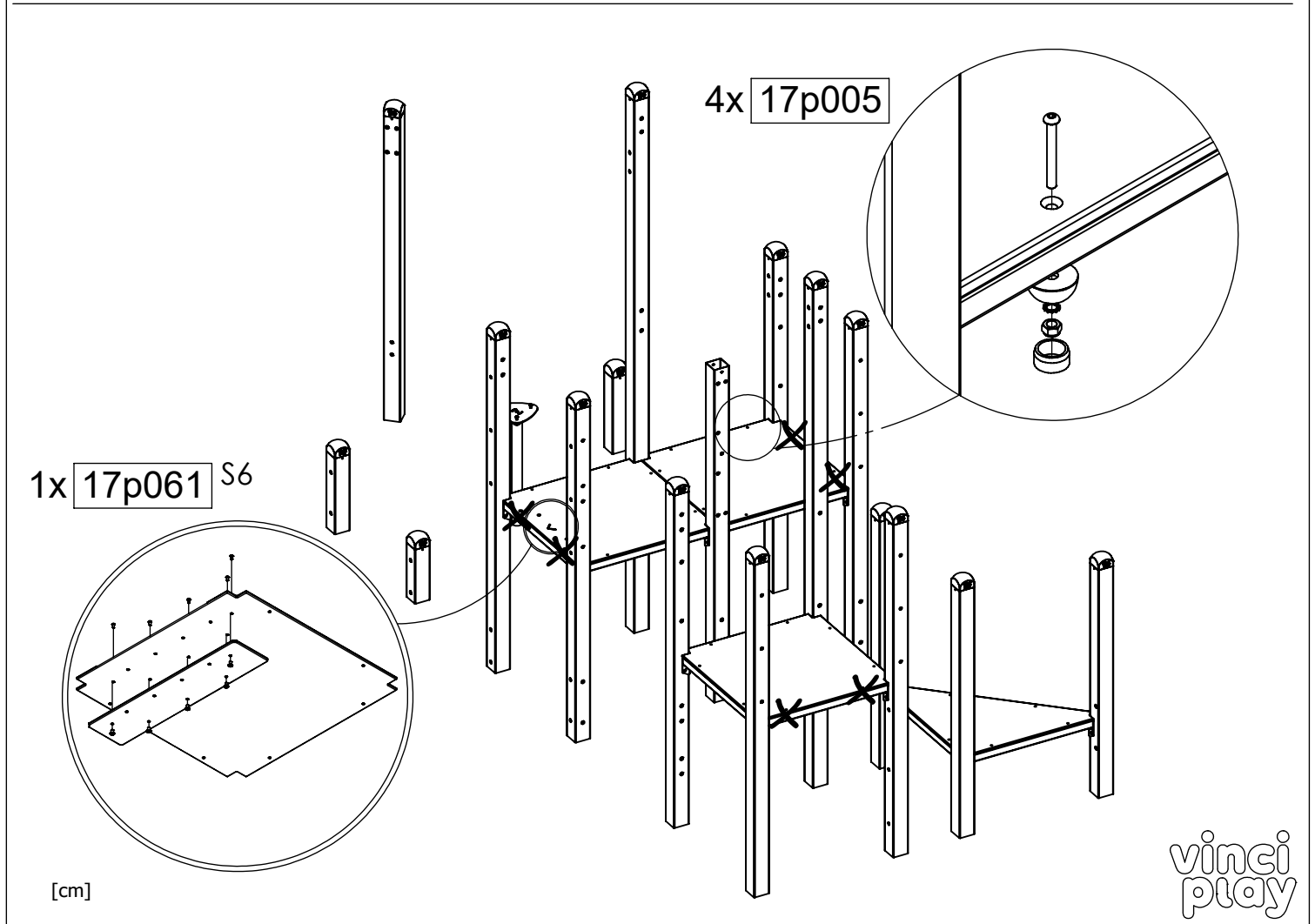
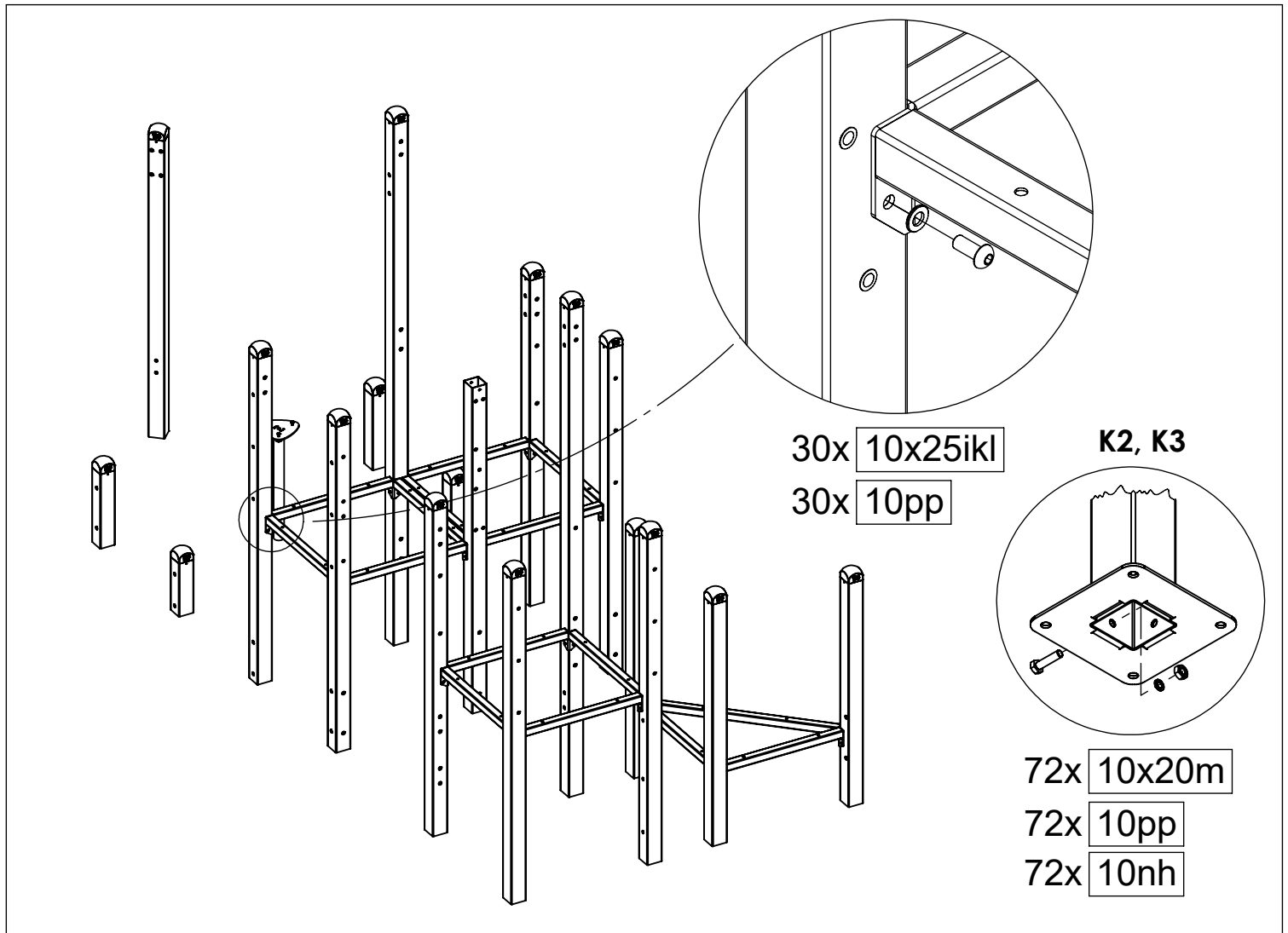
Qty.	ST/INOX
72	10 pp**
72	10 nh**
72	10x20 m**
78	10x25 ikl
42	10x30 ikl
30	10 pp
34	8x25 ikl
22	8x30 ikl
2	8pp
1	17e022**
1	17e034***
1	17e035*
1	17e014
2	17e026
2	17e030
3	17e023
1	V001

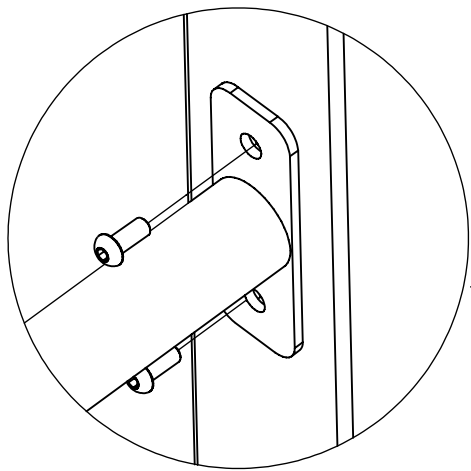
Qty.	HDPE
1	17c004
1	17c010
1	17c022
1	17c026
2	17c036
2	17c038
1	17c072
1	17c076
1	17c078
2	17c080
1	17c082
1	17c084
1	17c086
2	17c088
2	17c090
2	17c092
2	17c110

Qty.	HPL
4	17p005
1	17p017(s1)
1	17p019(s6)
2	17p021
3	17p025
1	17p027
1	17p061(s6)

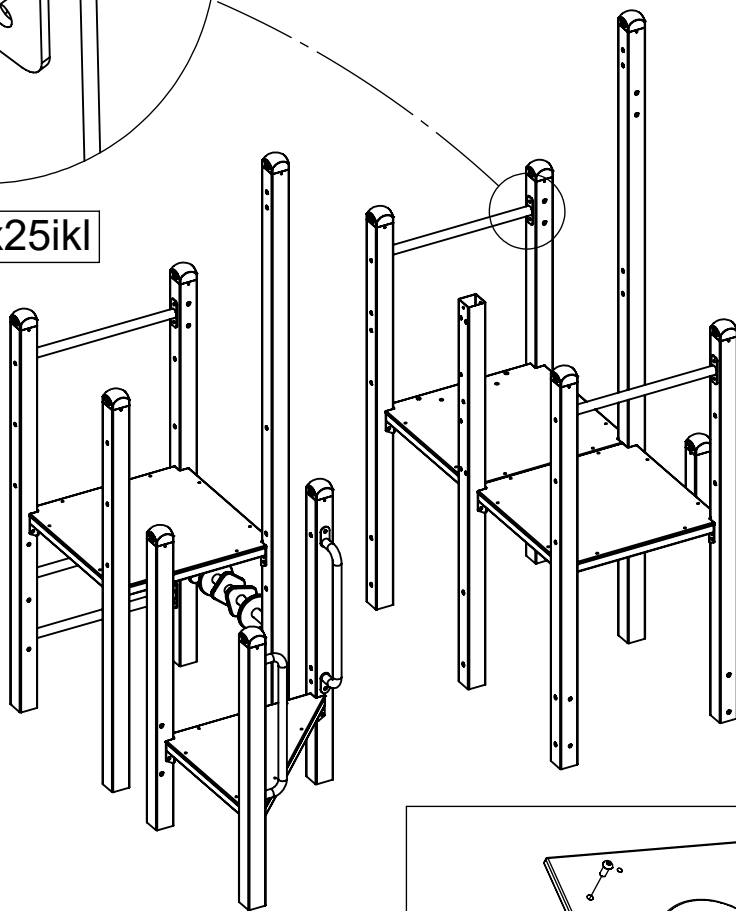
*K2
**K2, K3
***K1, K3



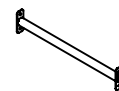




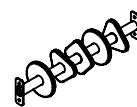
28x 10x25ikl



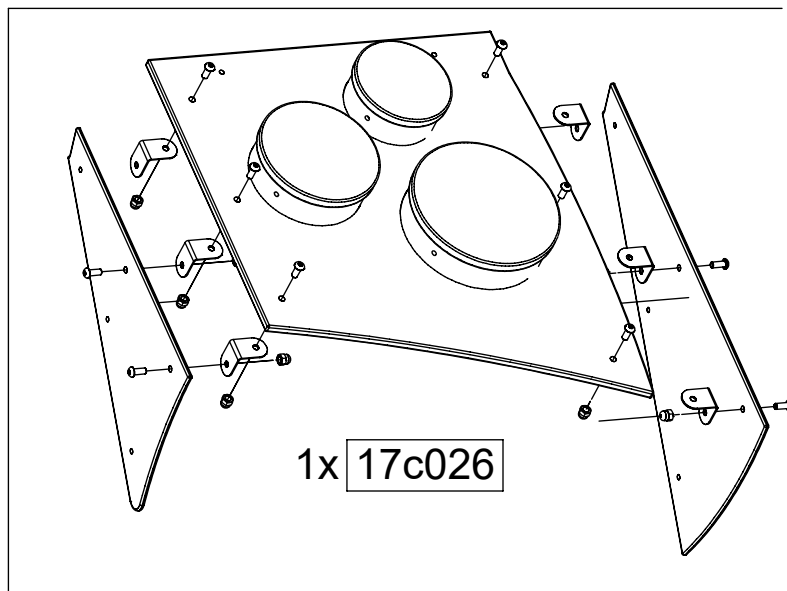
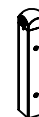
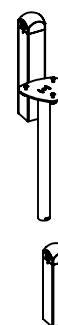
5x



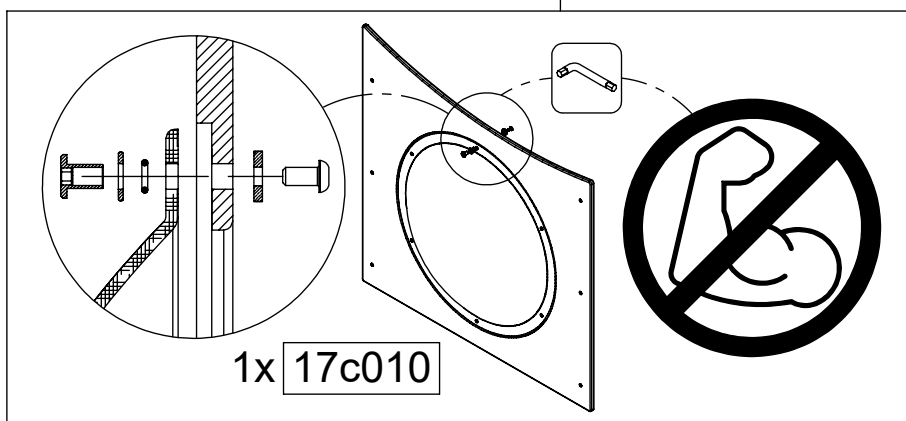
1x



2x



1x 17c026

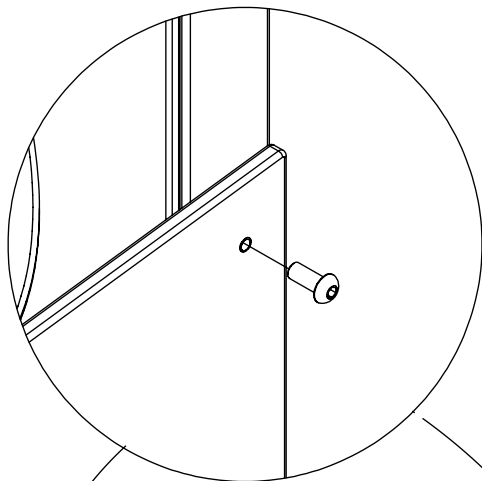


1x 17c010

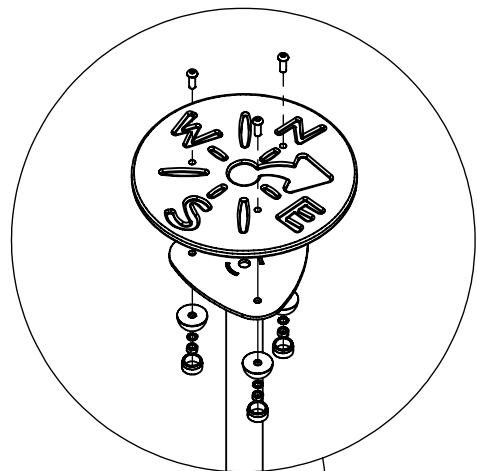


[cm]

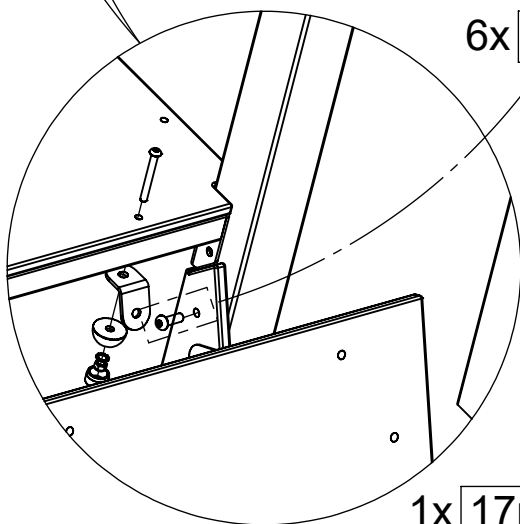
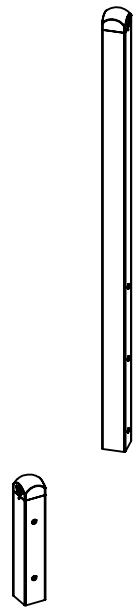
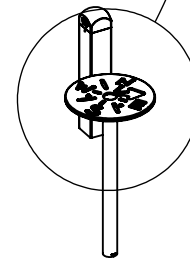
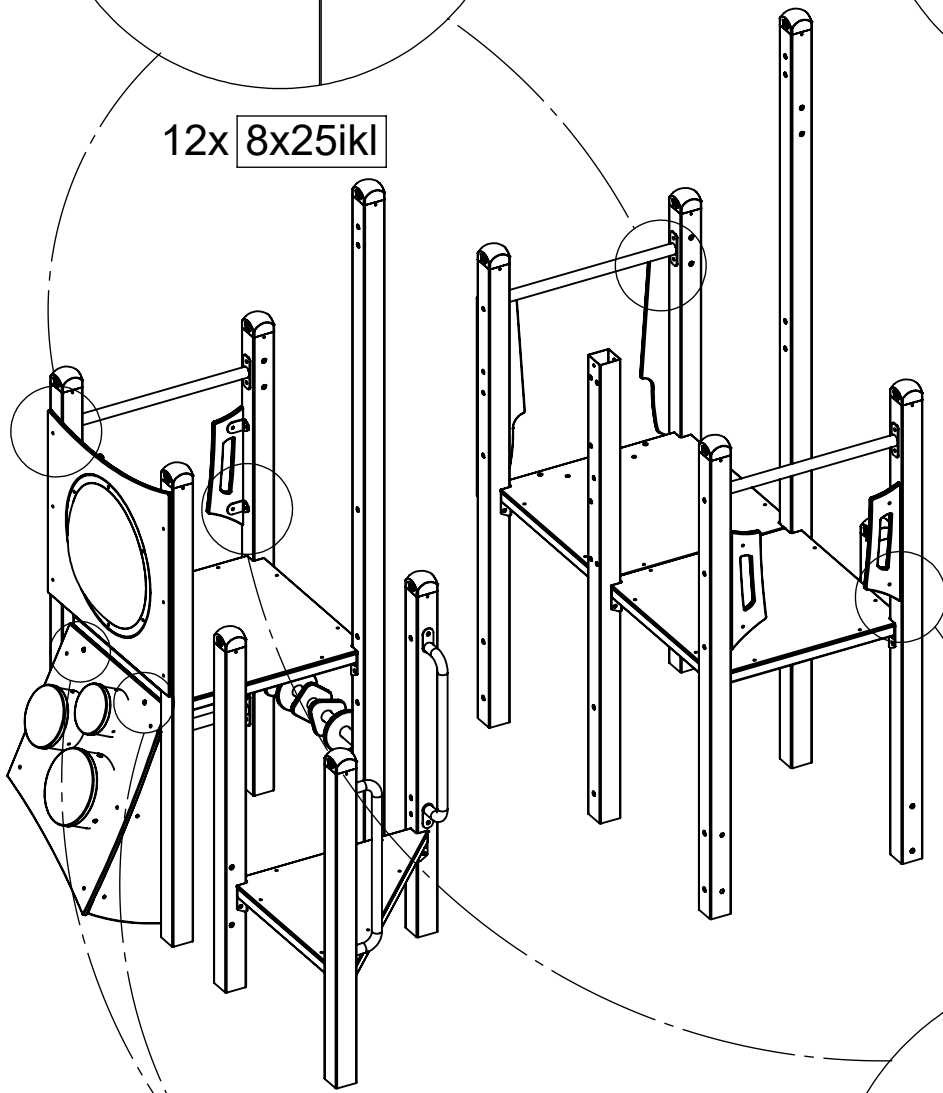
vinci play



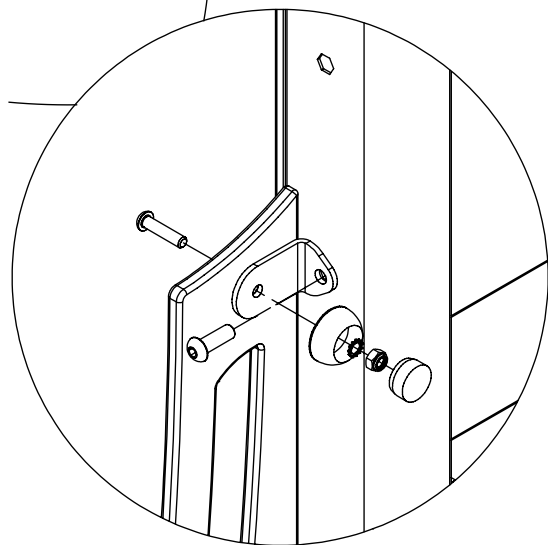
12x 8x25ikl



1x 17c092



6x 8x25ikl

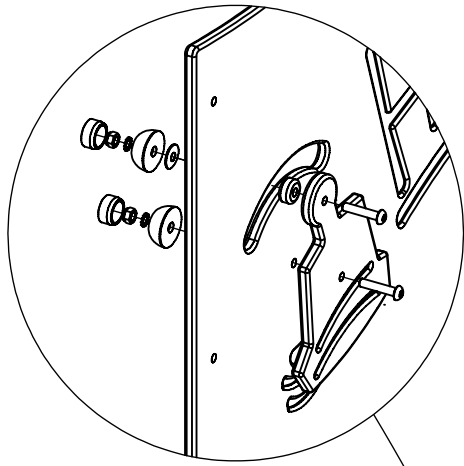


2x 17c004

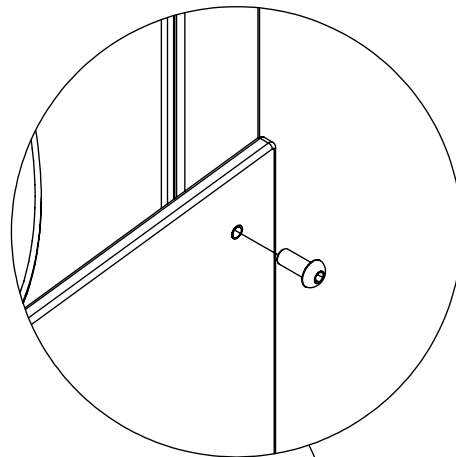
1x 17p021

1x 17c072

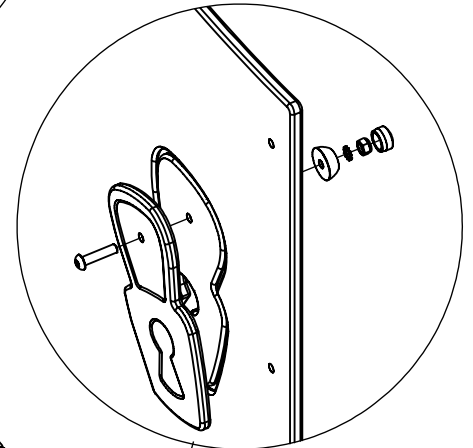
[cm]



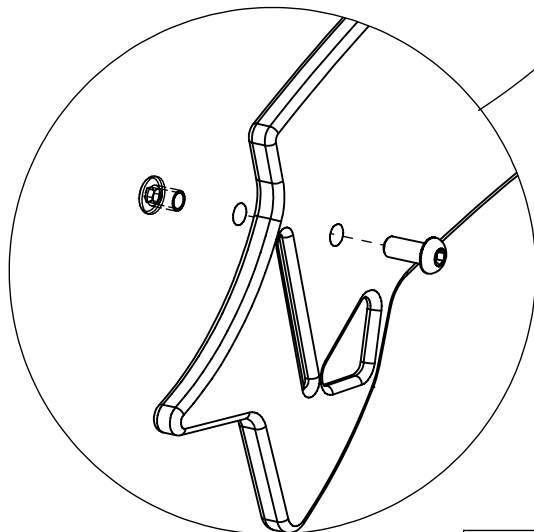
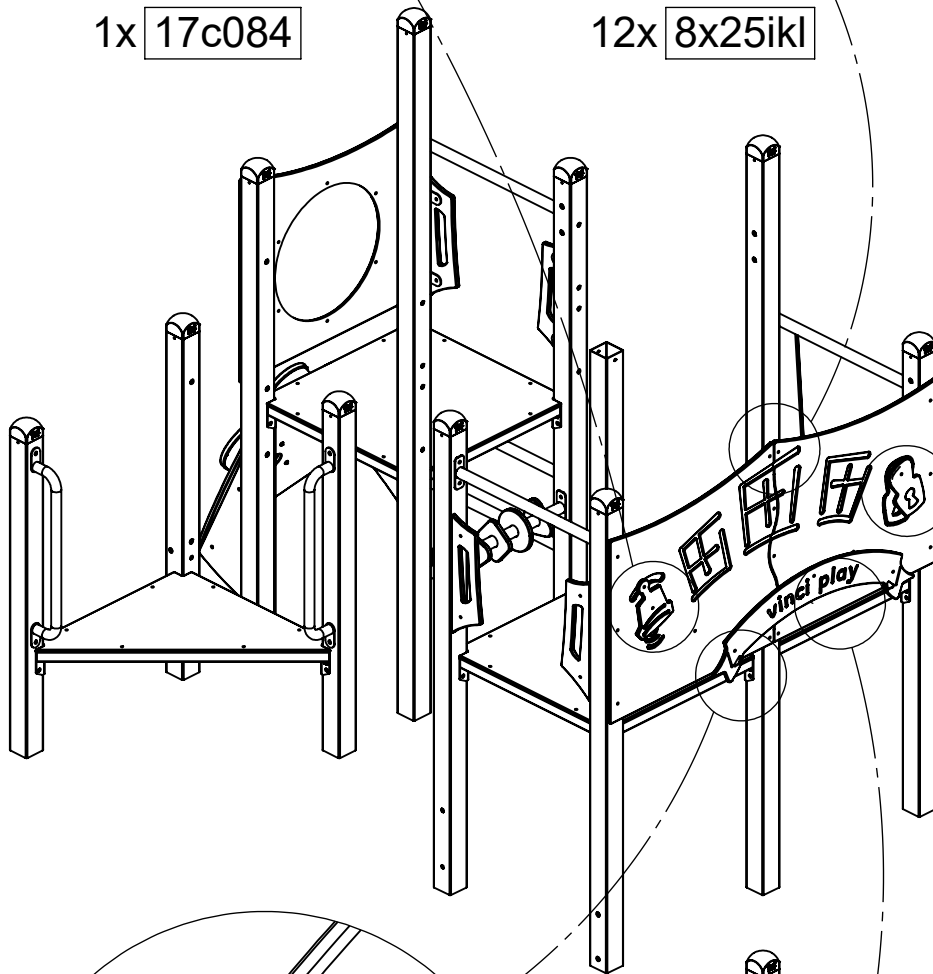
1x 17c084



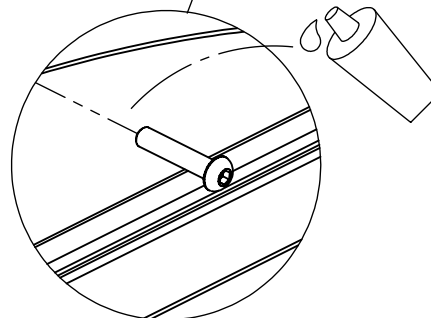
12x 8x25ikl



1x 17c086



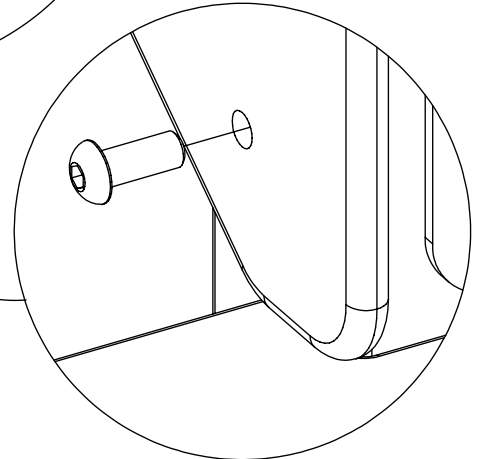
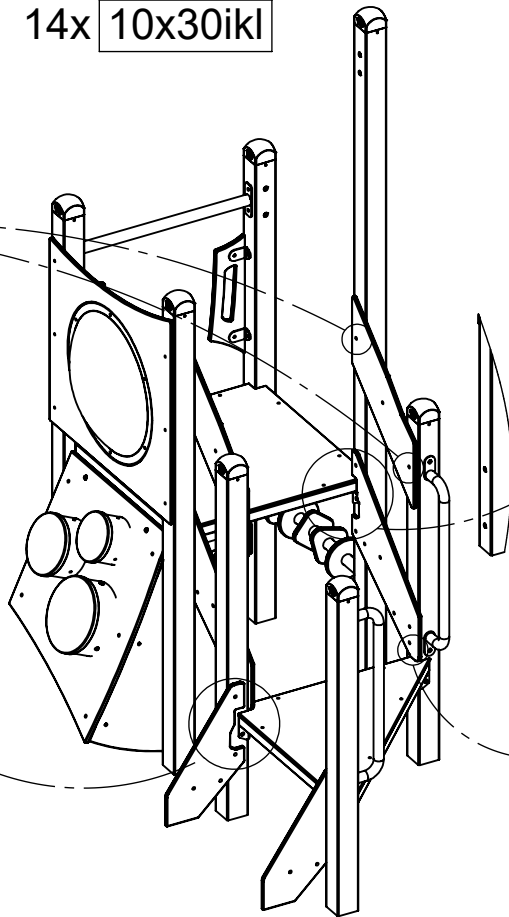
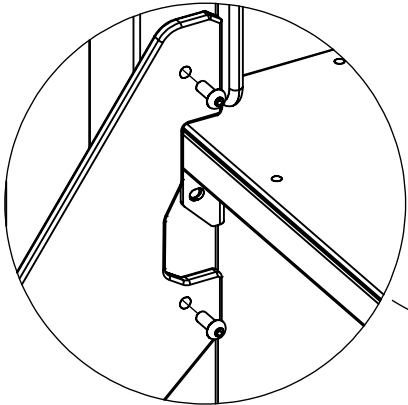
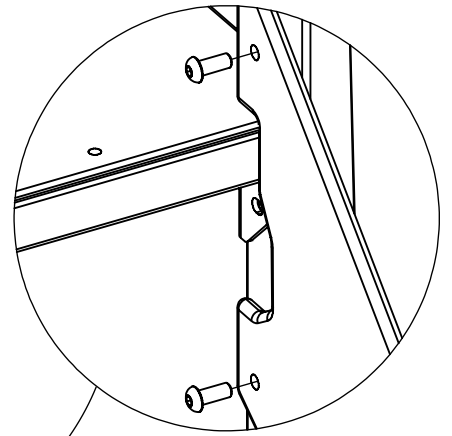
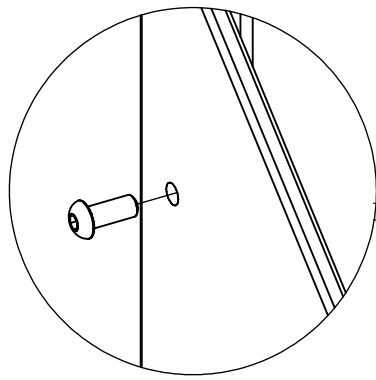
1x 17c082



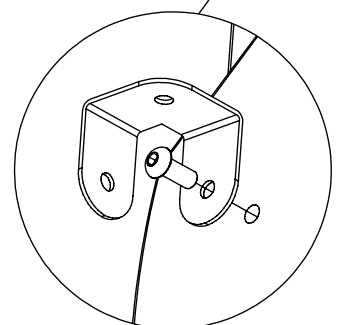
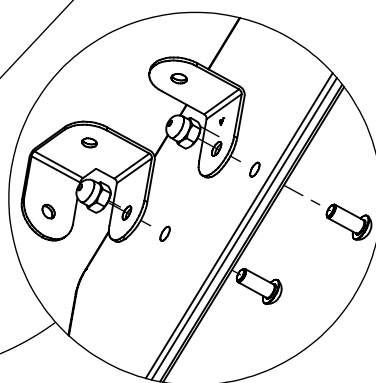
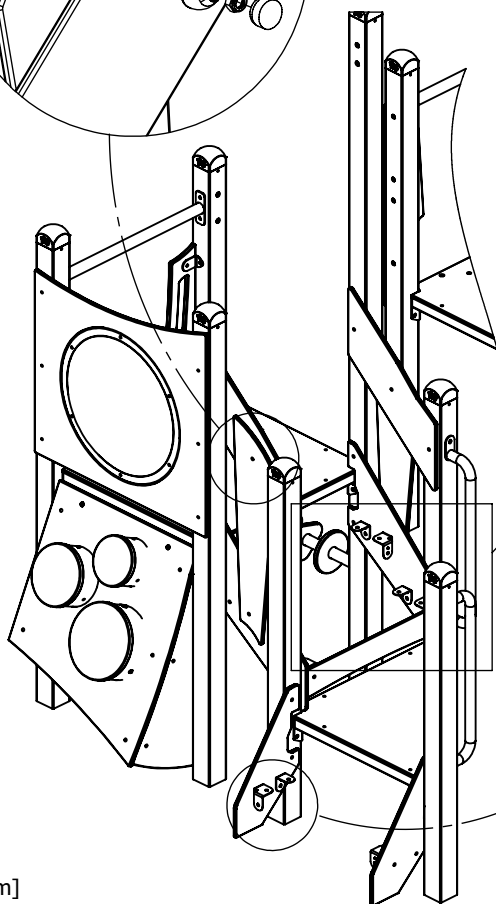
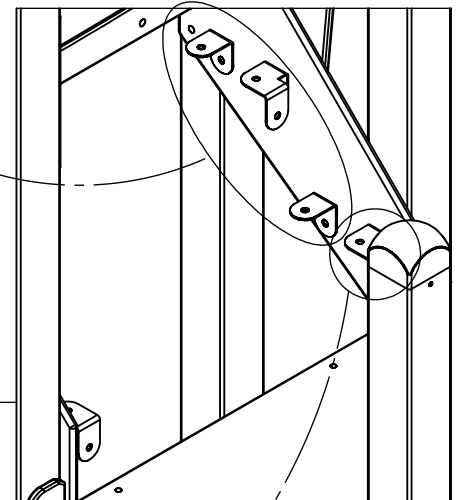
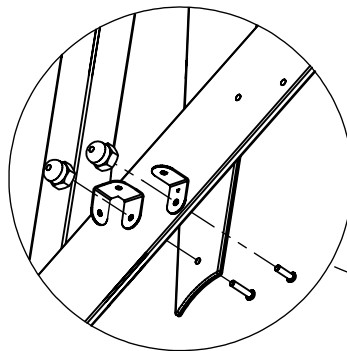
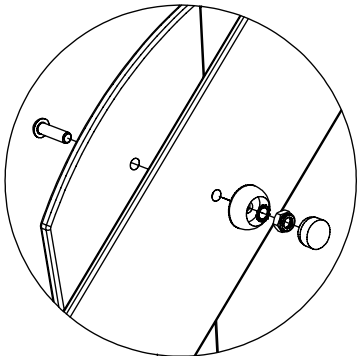
[cm]

vinci
play

14x 10x30iKl



2x 17c036

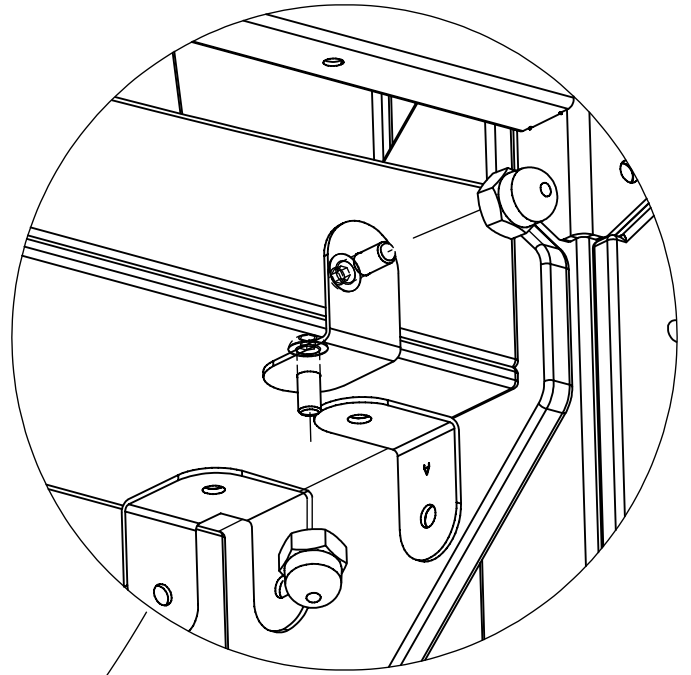


1x 17c022

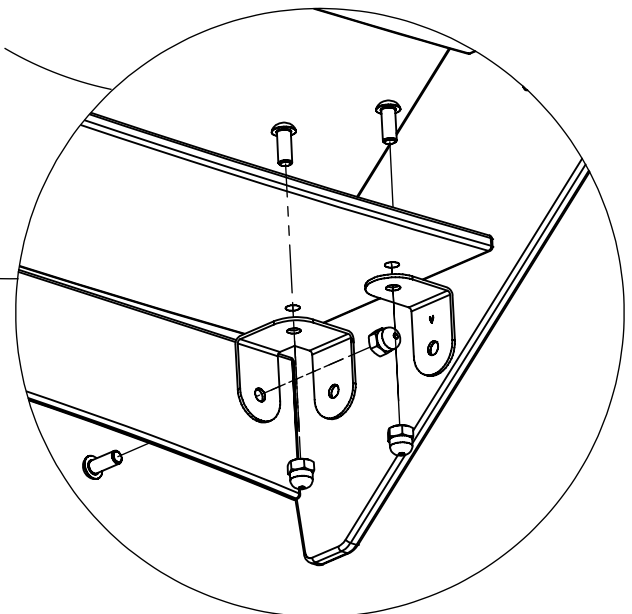
2x 17c038

[cm]

vinci play



1x 17p027

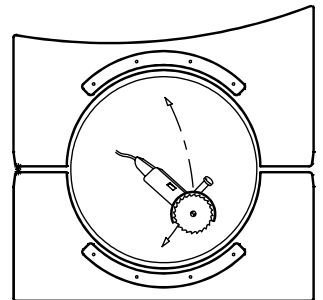
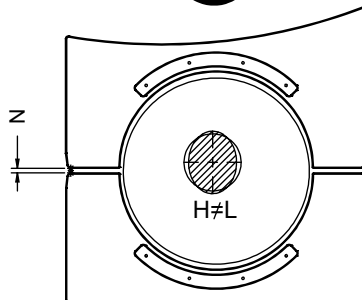
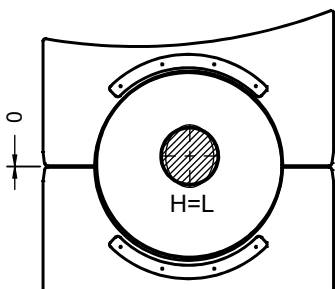
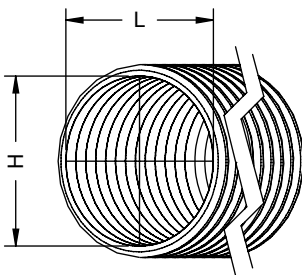
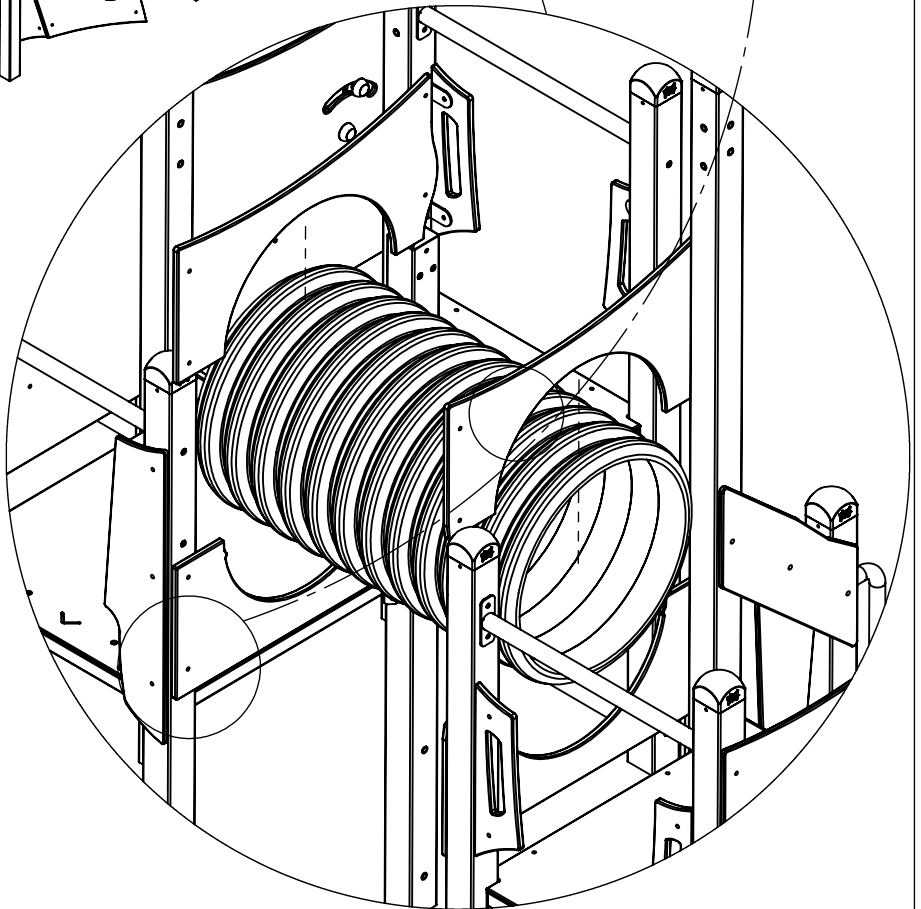
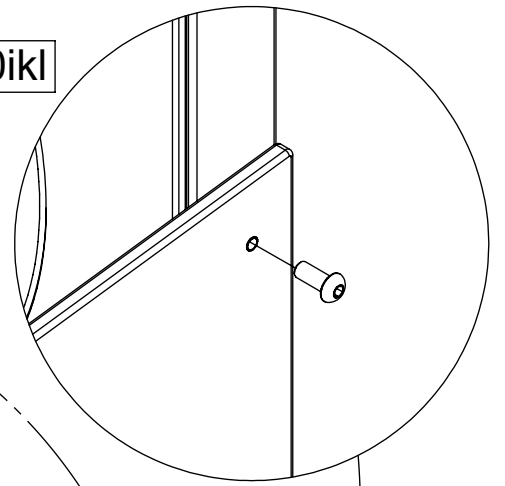
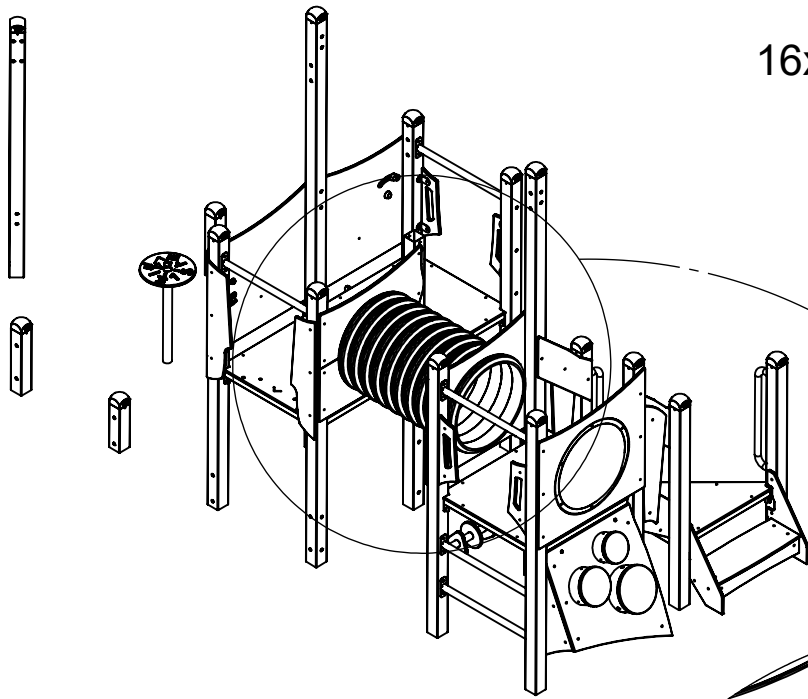


3x 17p025

[cm]

vinci
play

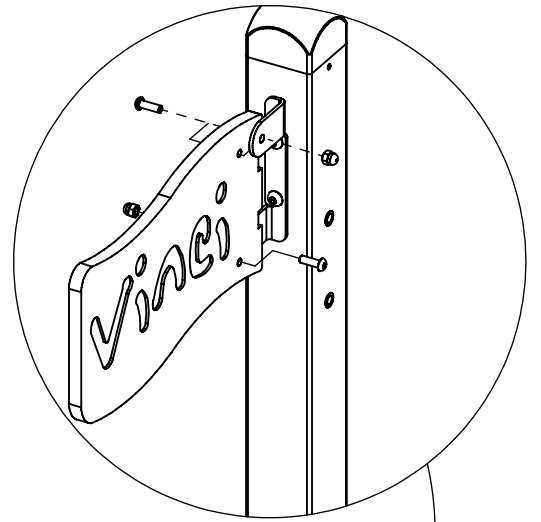
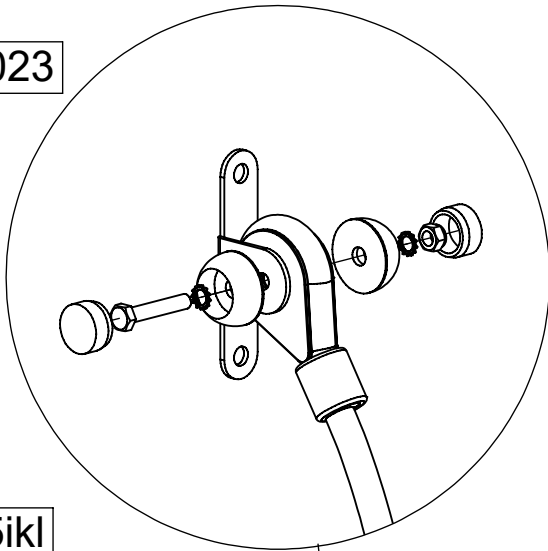
16x 8x30i kl



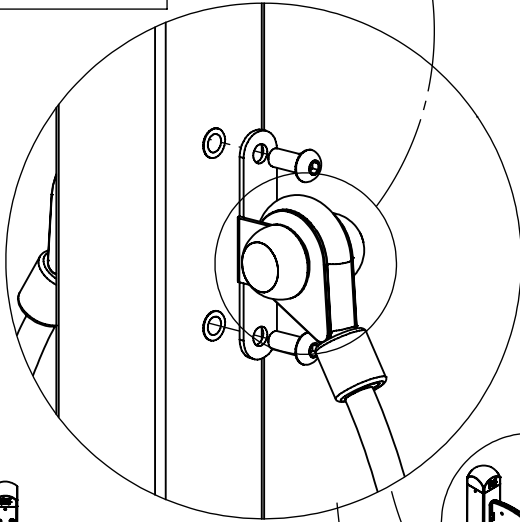
[cm]

vinci
play

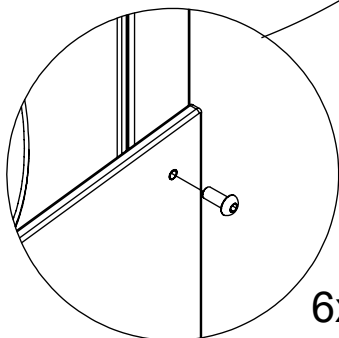
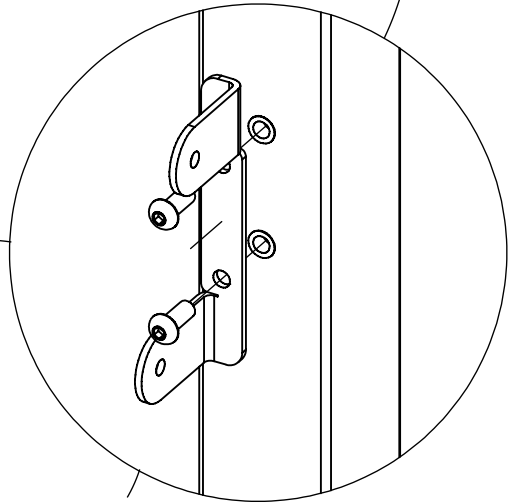
3x 17e023



12x 10x25ikl



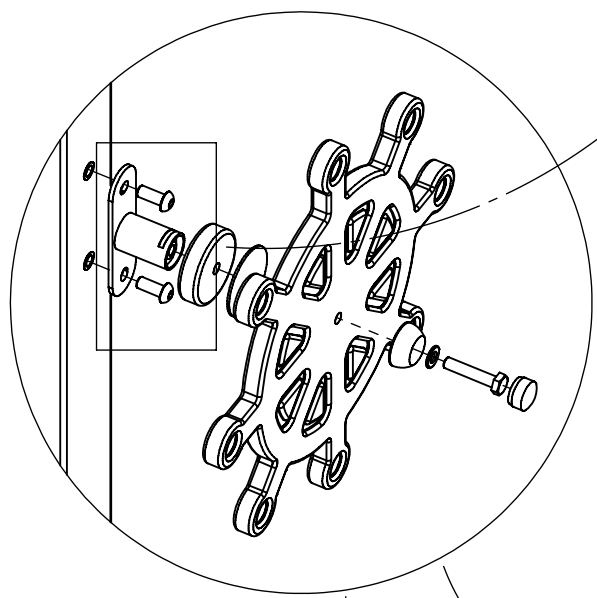
2x 17e030



6x 8x30ikl

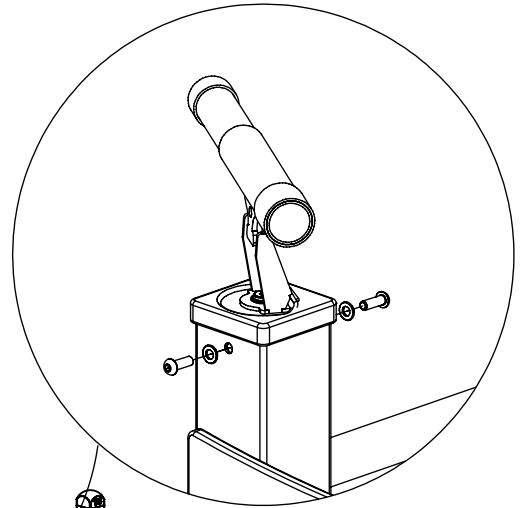
[cm]

vinci
play



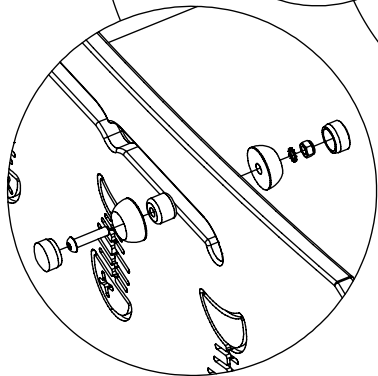
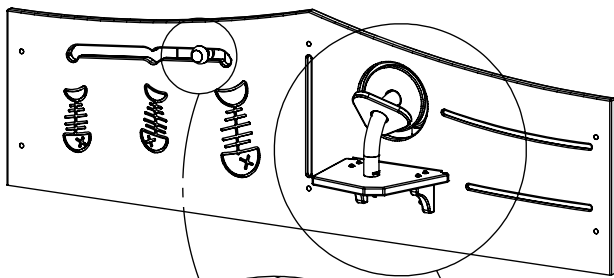
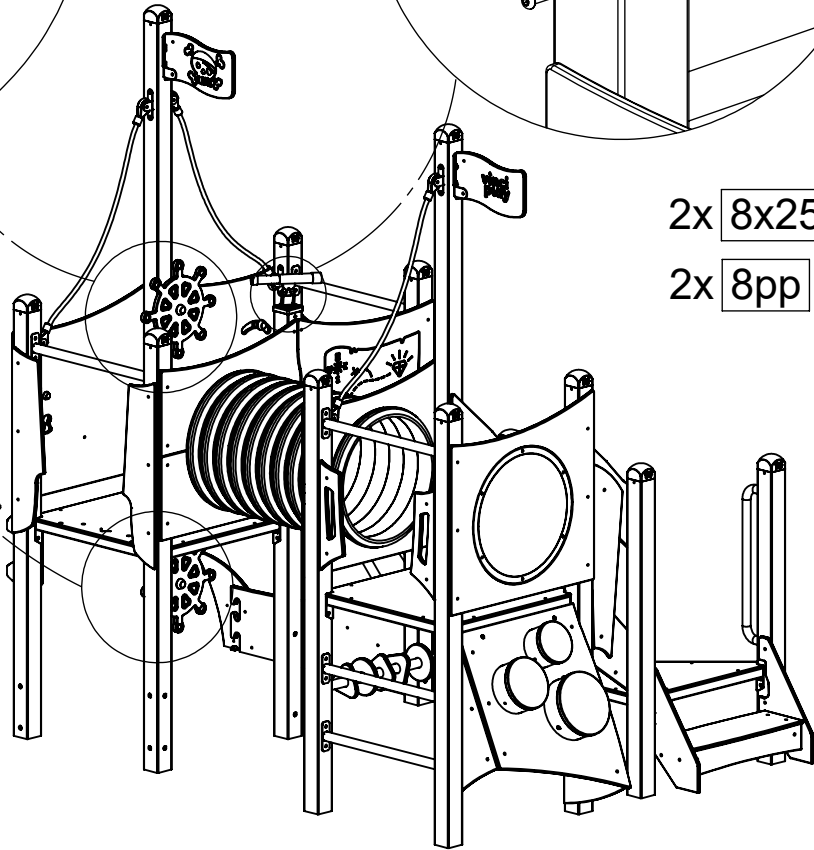
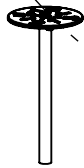
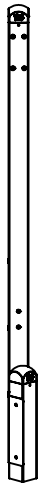
4x 10x25ikl

2x 17e026

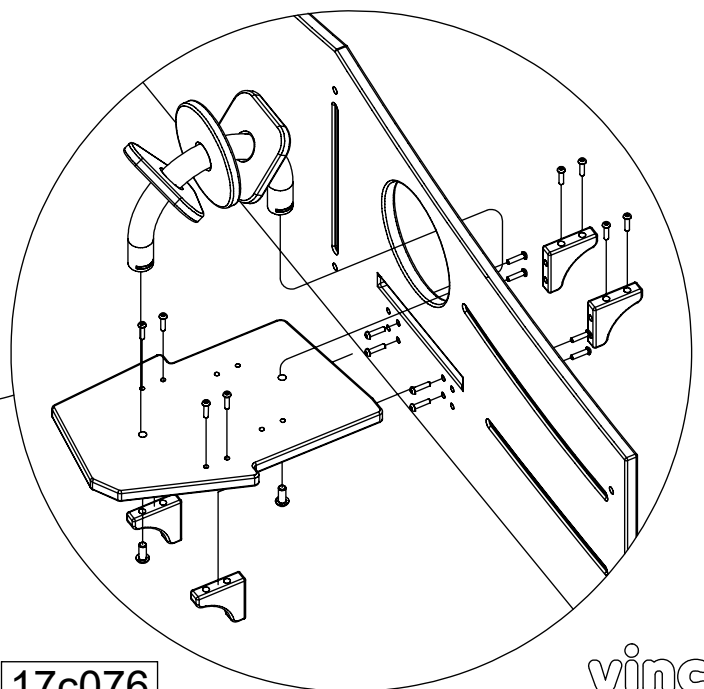


2x 8x25ikl

2x 8pp



1x 17c078



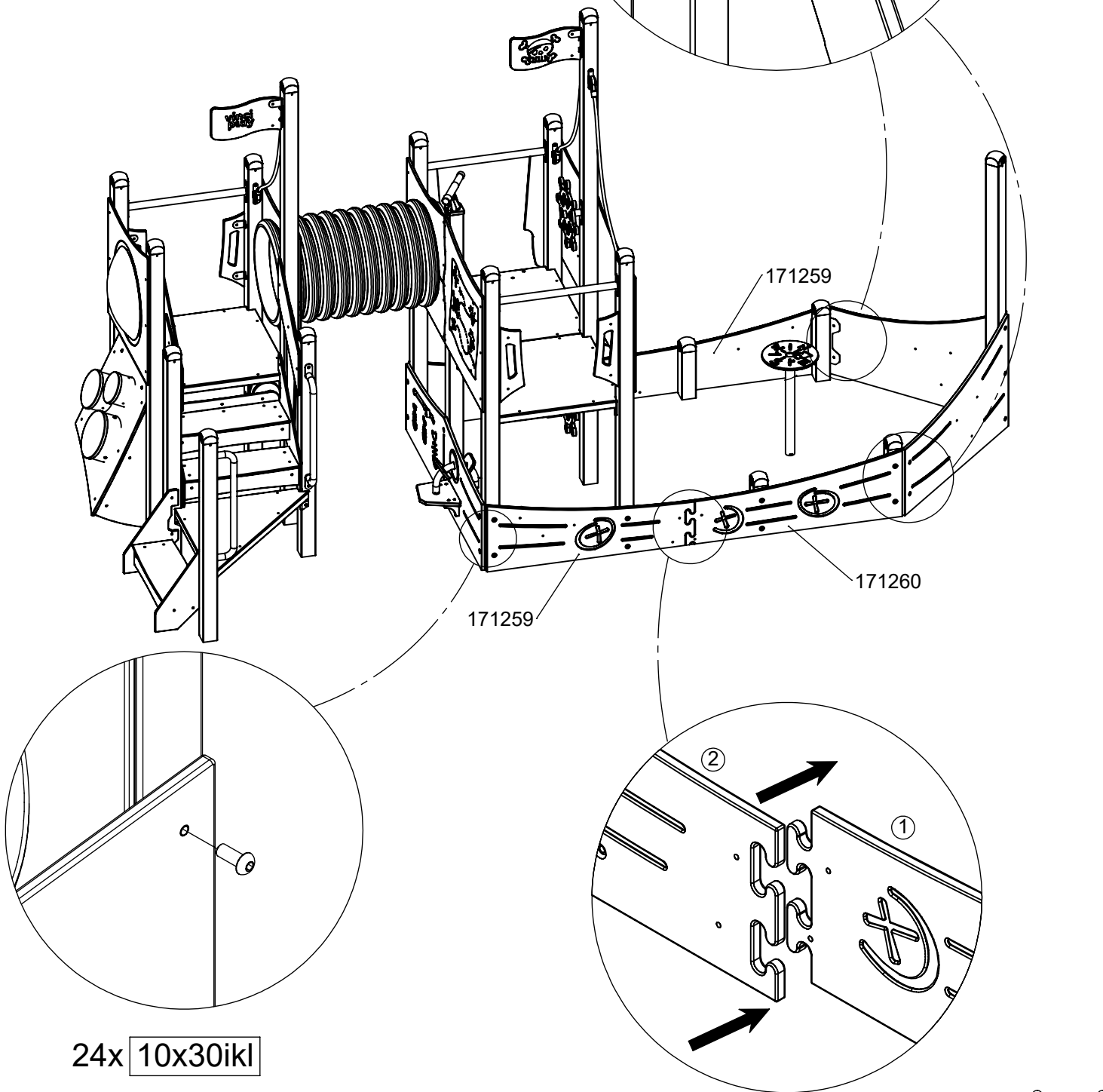
1x 17c076

[cm]

vinci
play

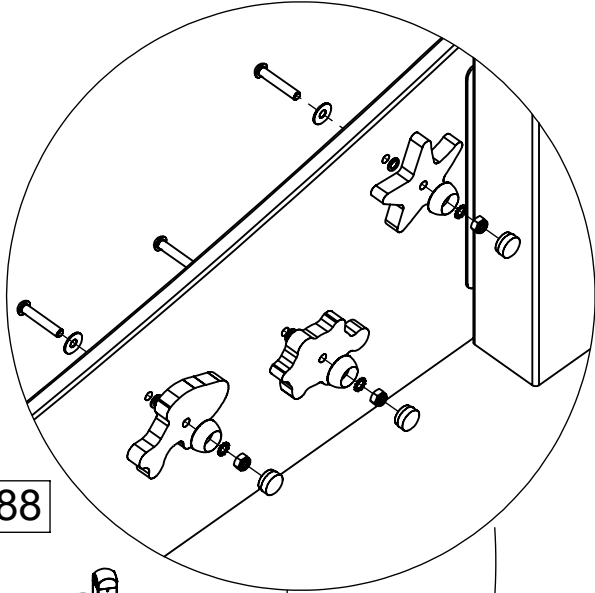
4x 10x30i_{kl}

2x 17c090

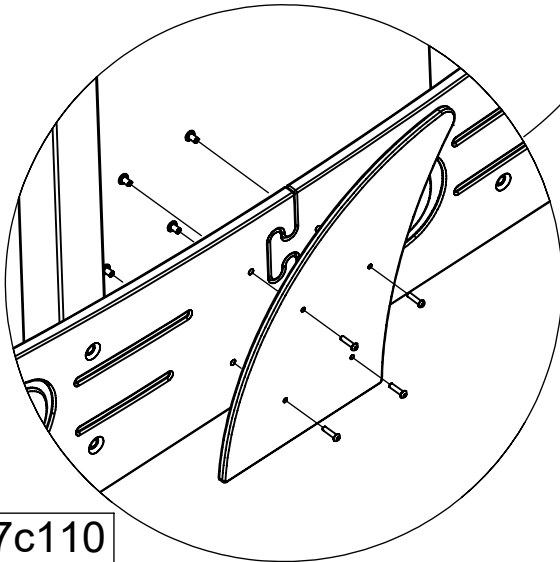
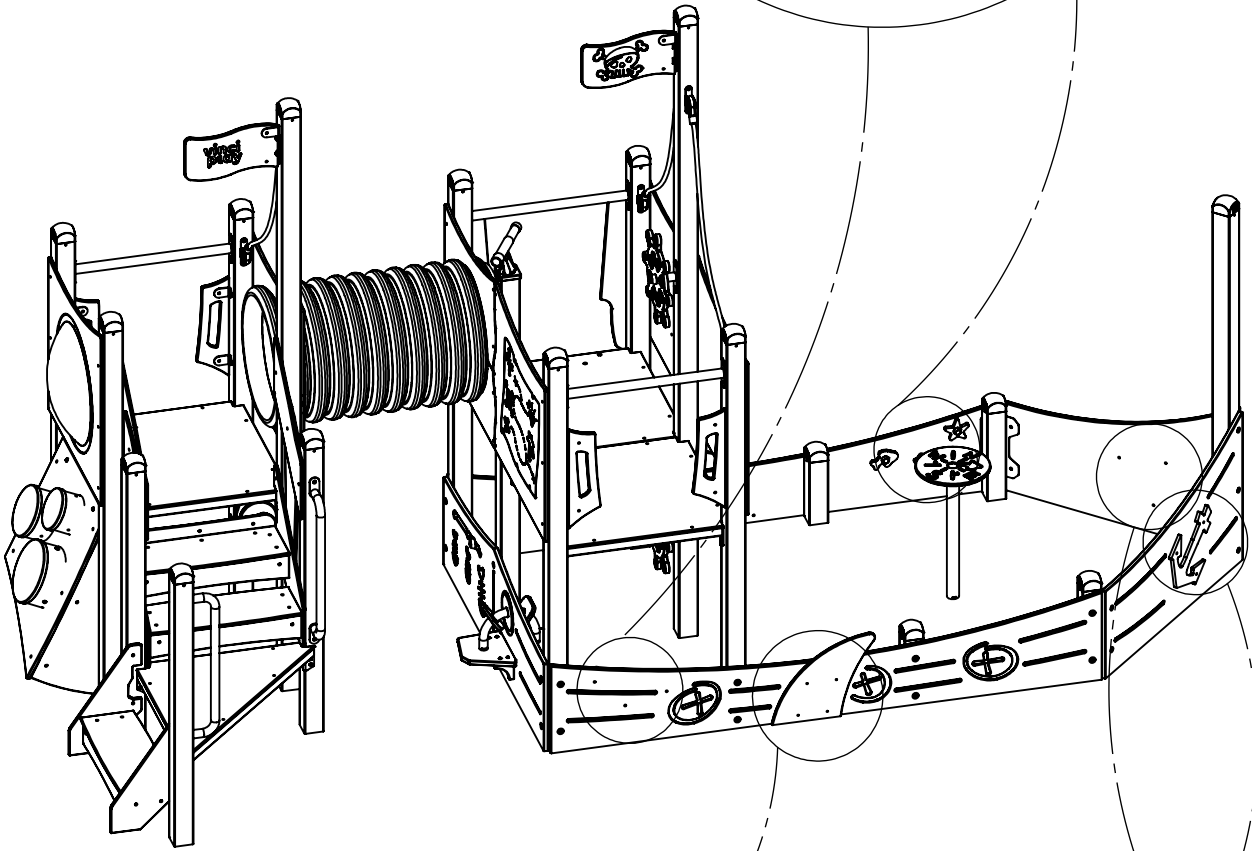


[cm]

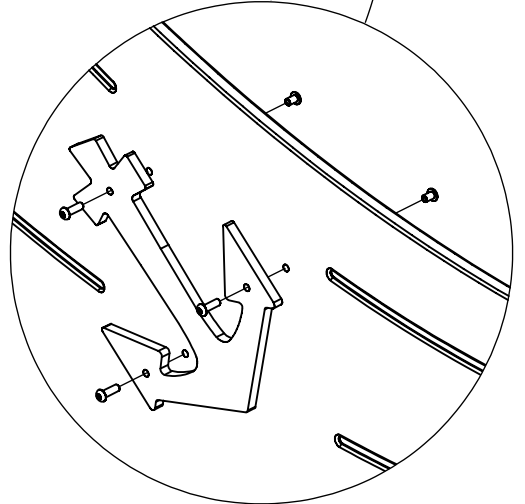
vinci
play



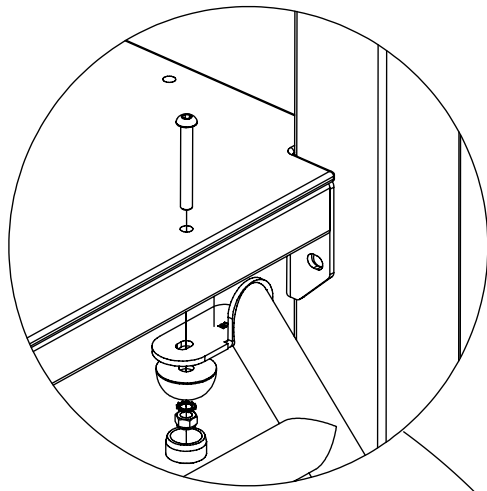
2x 17c088



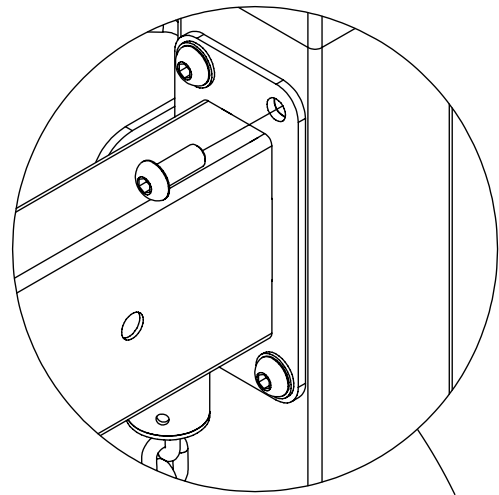
2x 17c110



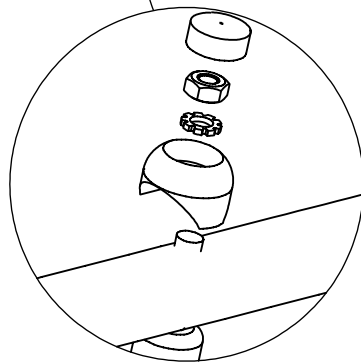
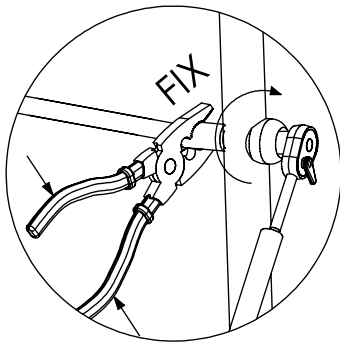
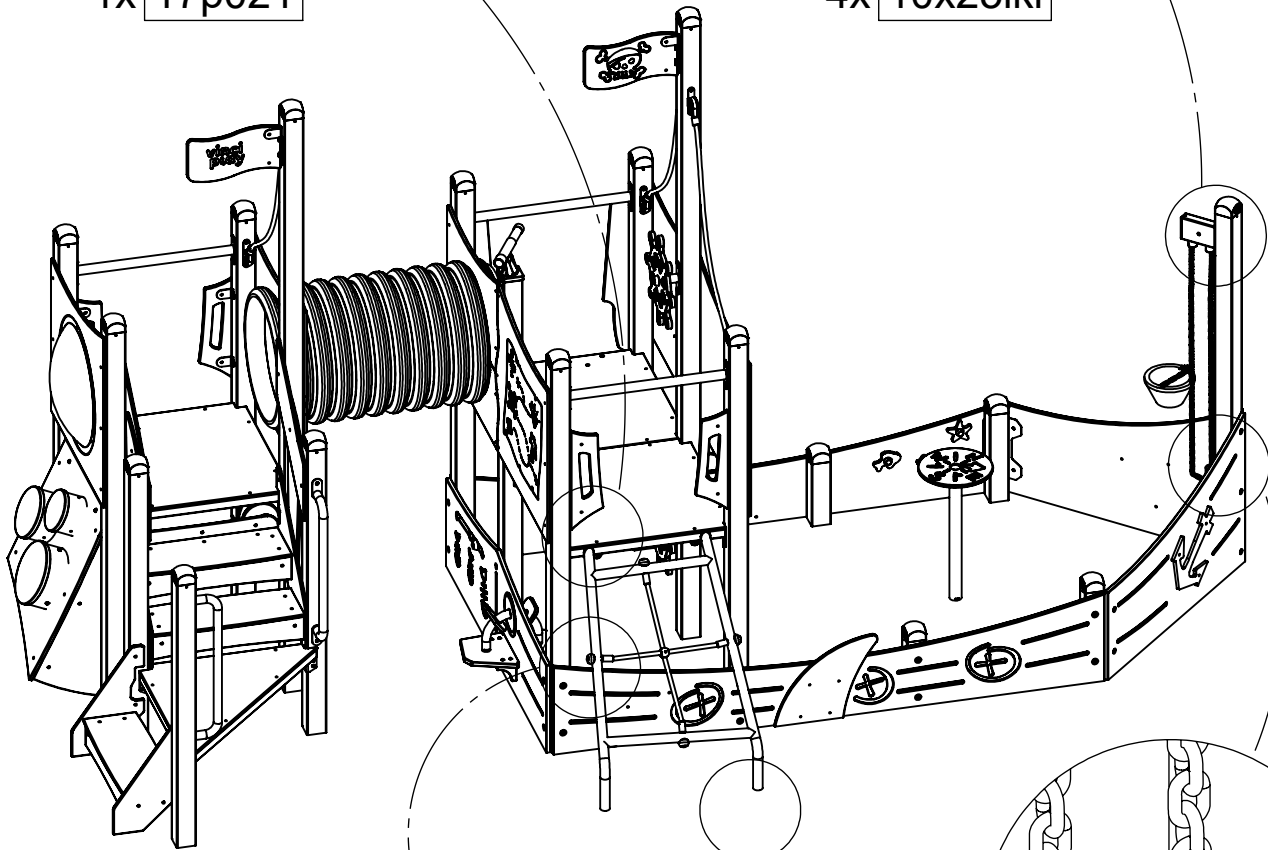
2x 17c080



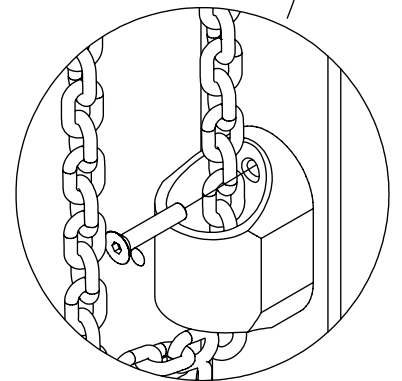
1x 17p021



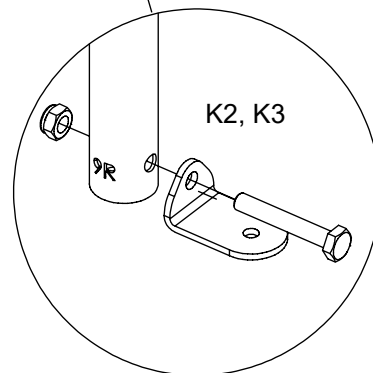
4x 10x25ikl



1x 17e014



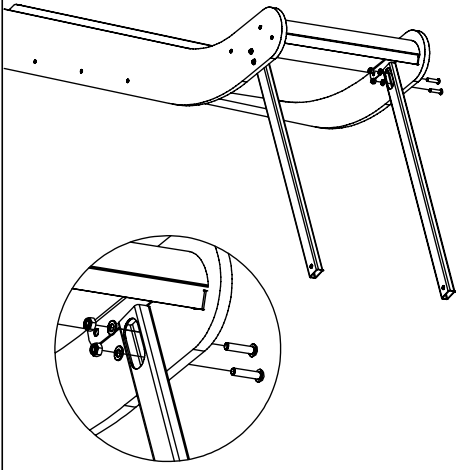
2x 8x25ikl



1x 17e022

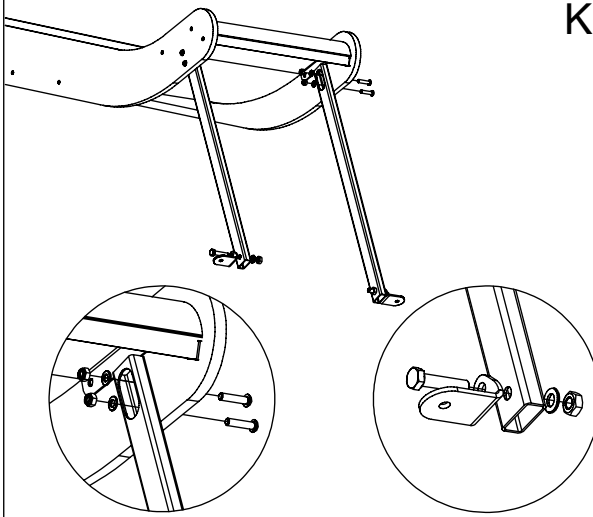
[cm]

K1



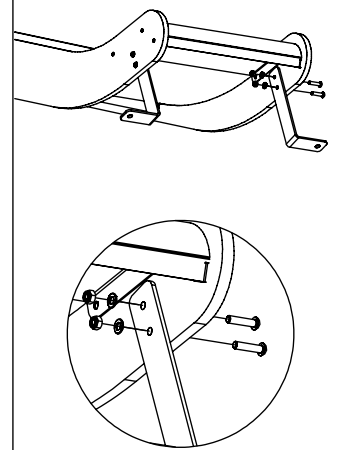
1x 17e034

K2

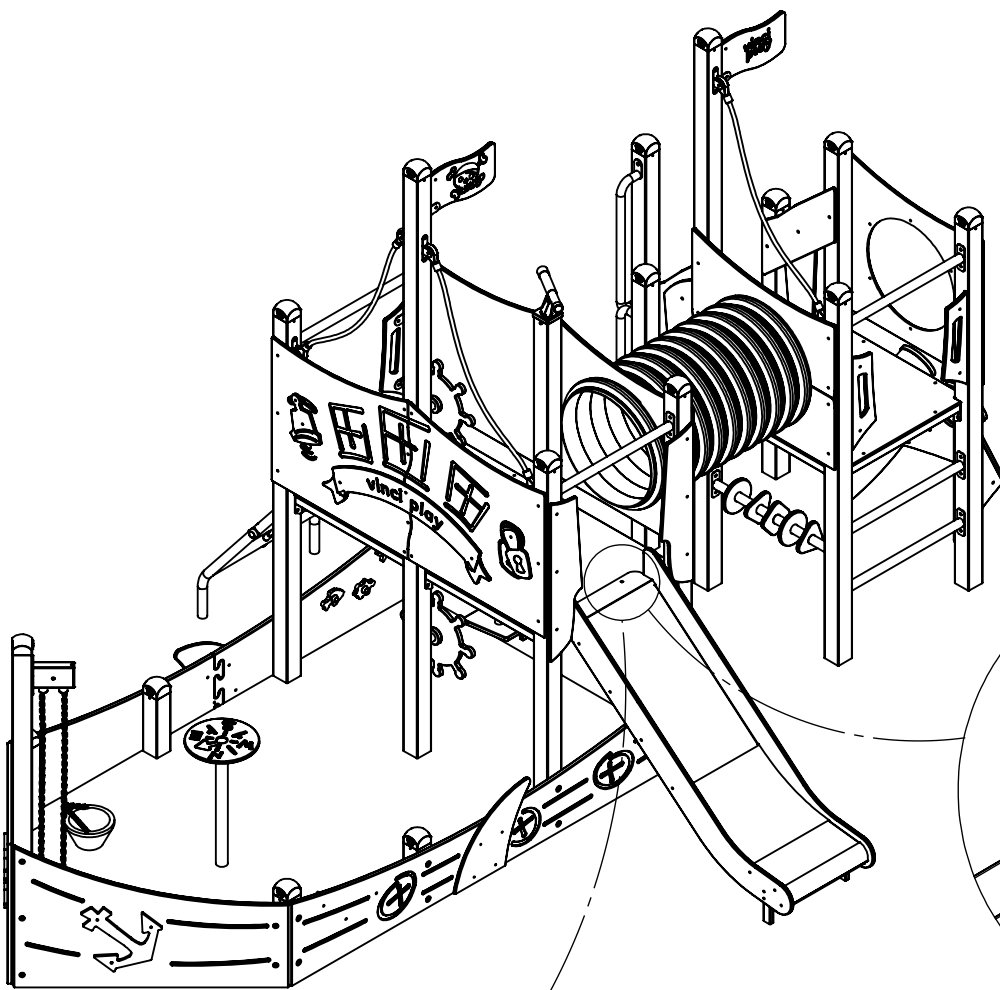


1x 17e035

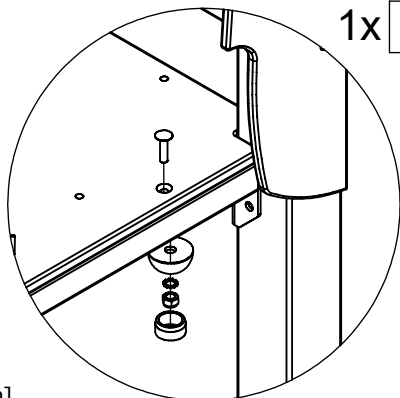
K3



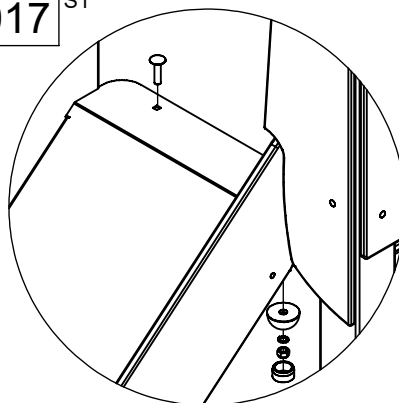
1x 17e034



1x 17p017^{S1}



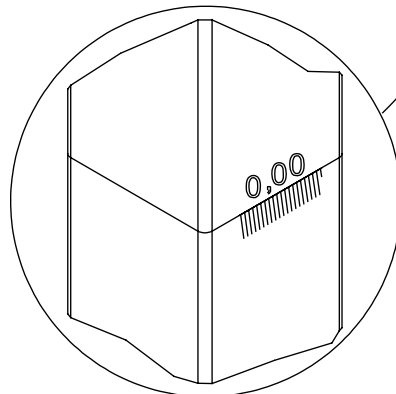
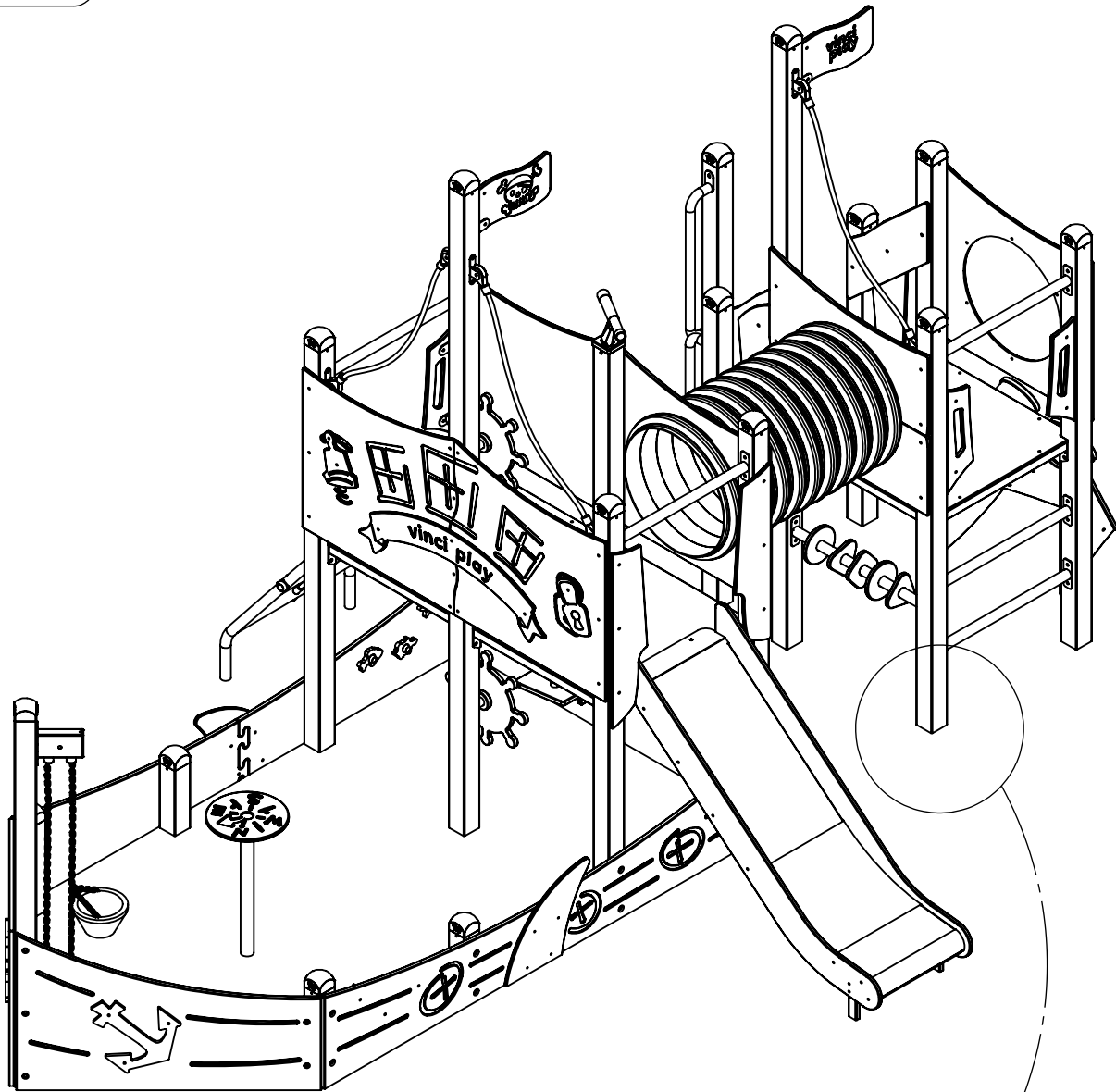
1x 17p019^{S6}



[cm]

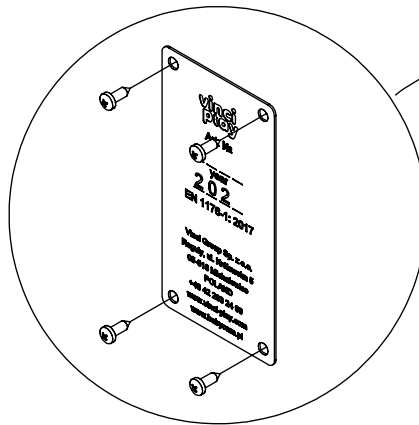
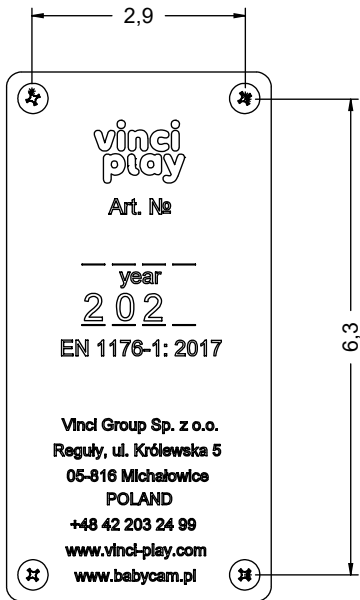
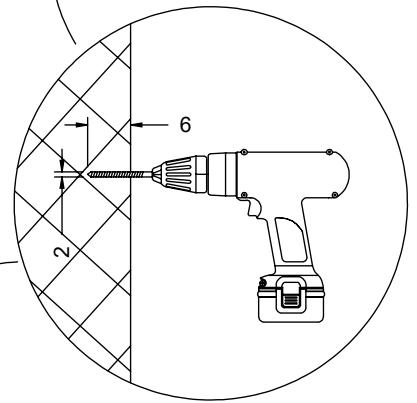
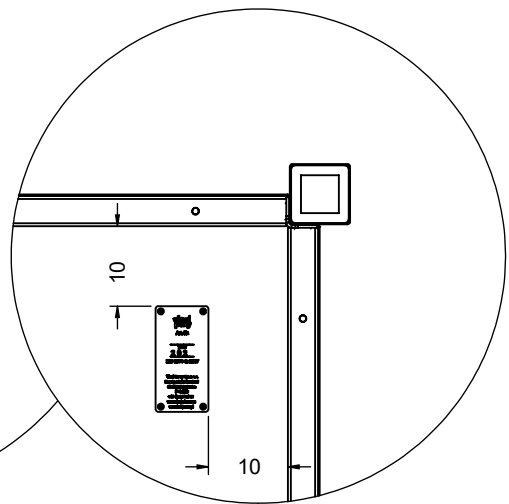
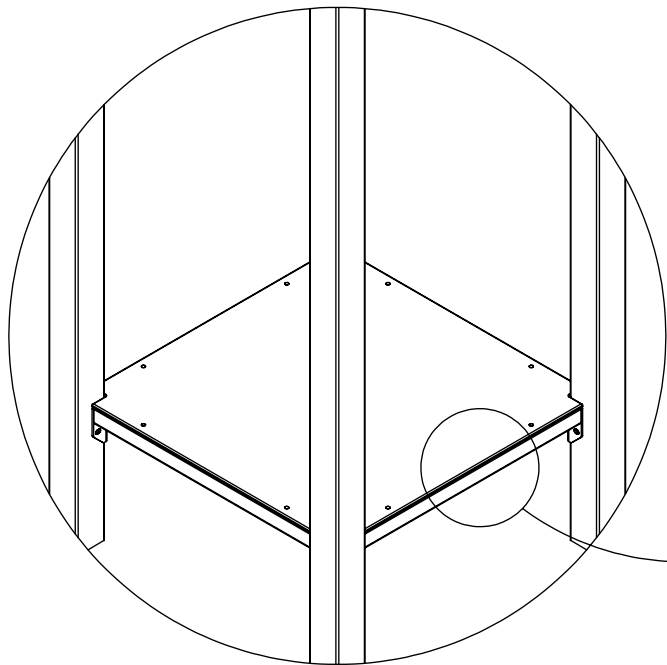
vinci play

48h



[cm]

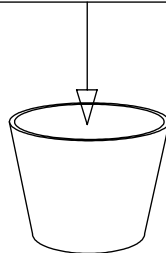
vinci
play



V001

Part No:
000000-
00000

000000-00000



[cm]

vinci
play