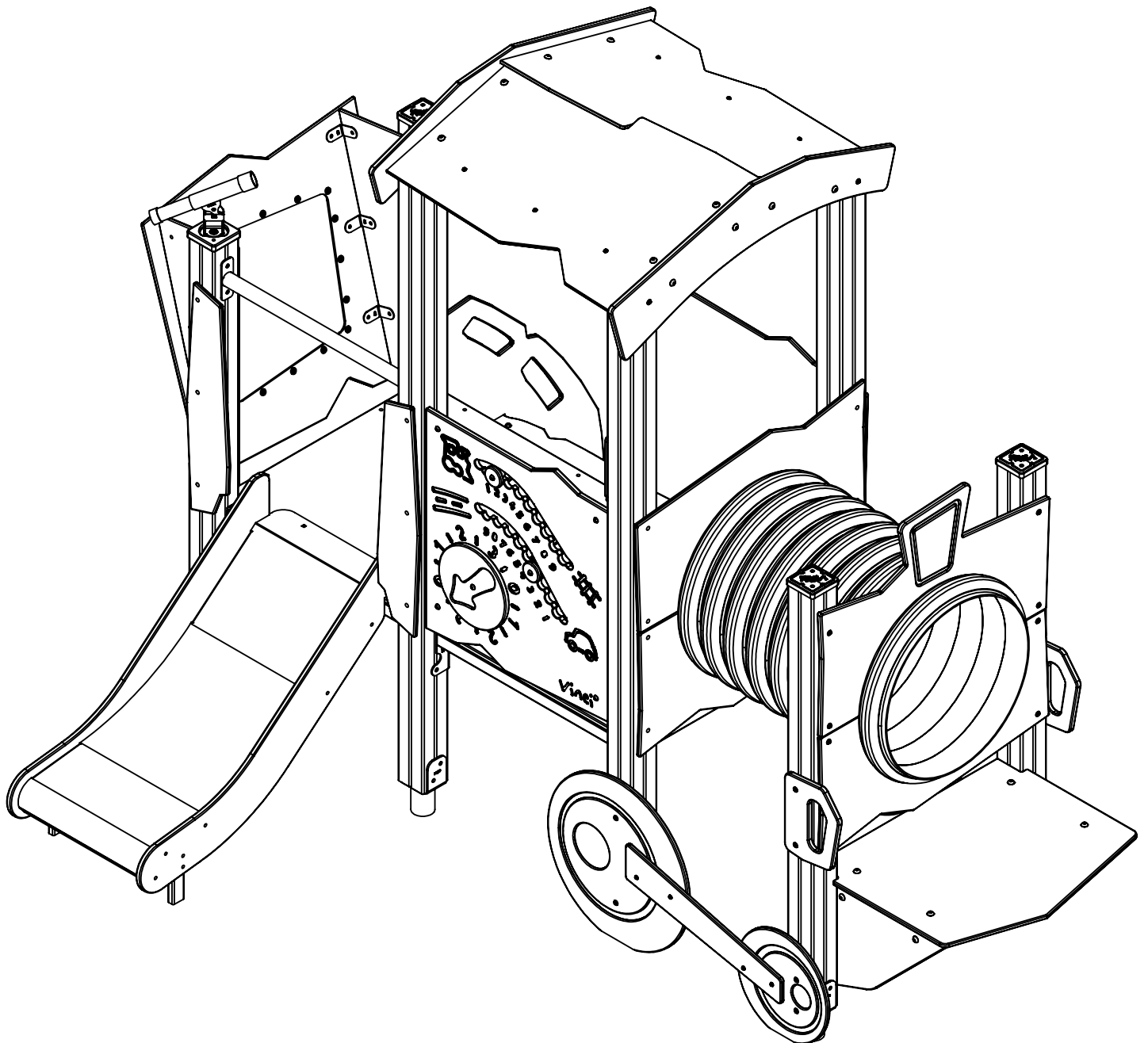
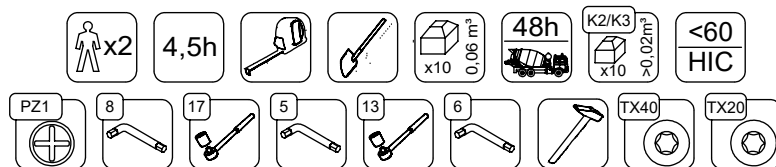


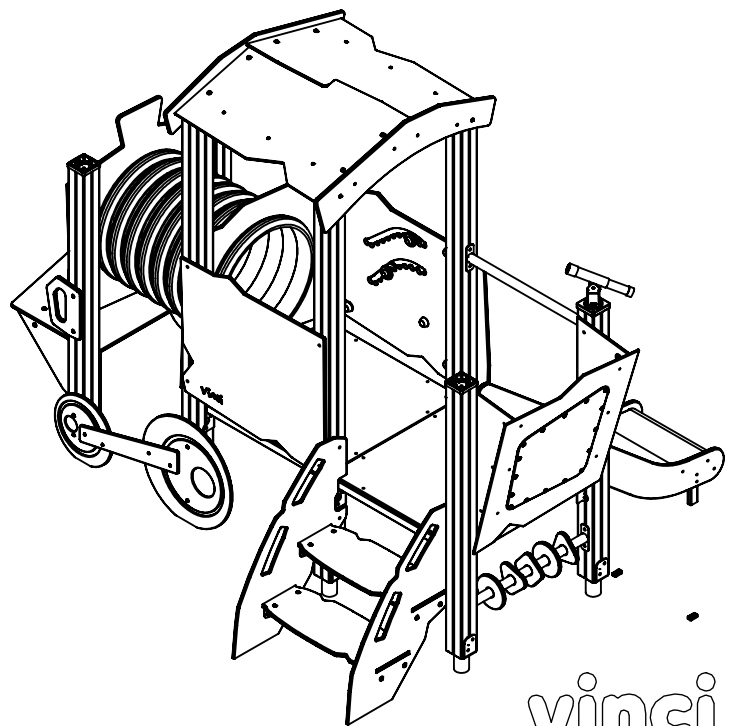
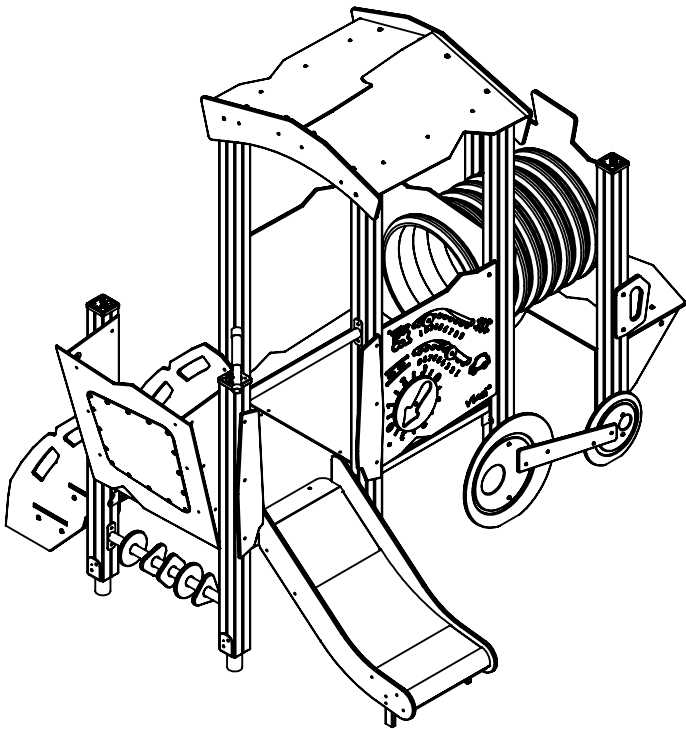
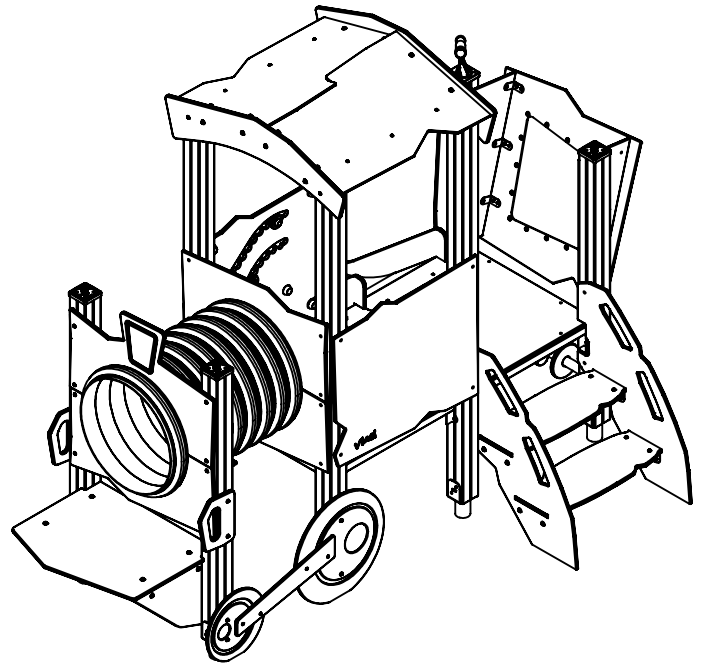
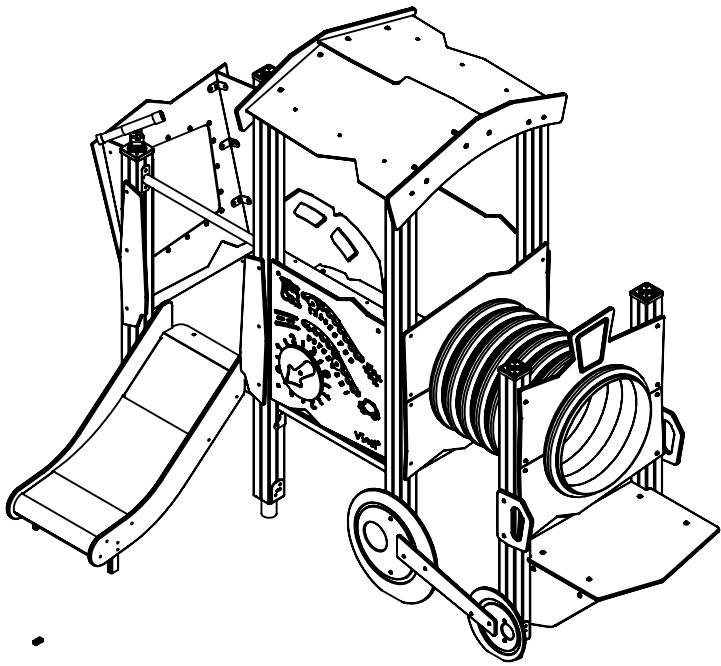
WD1551



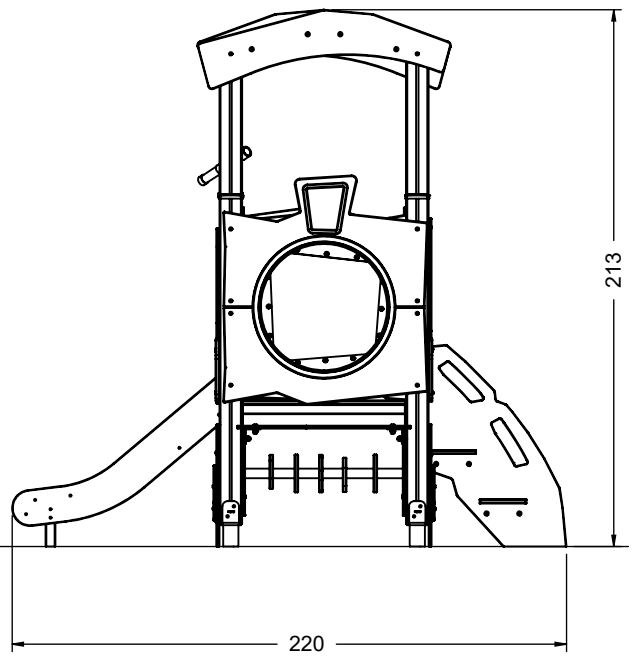
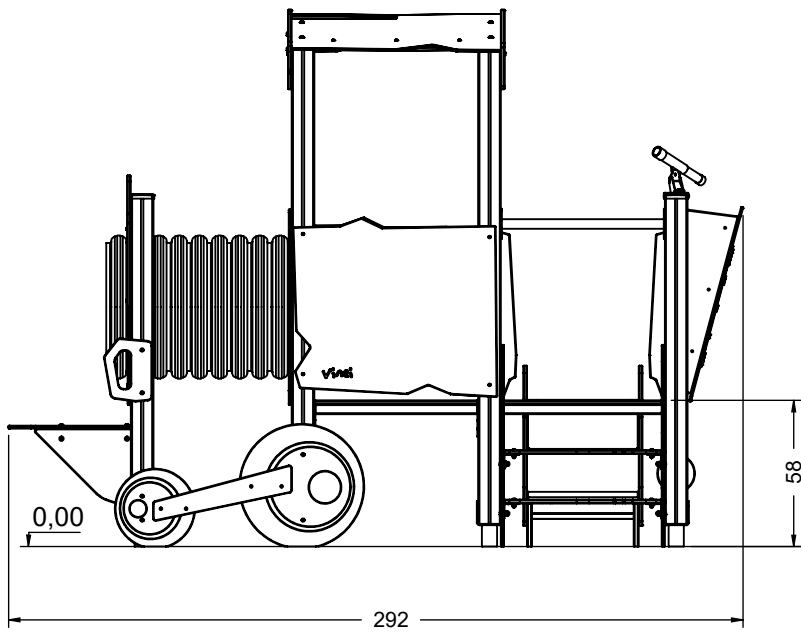
v012
25.10.2021
B. K.
[cm]



vinci
play



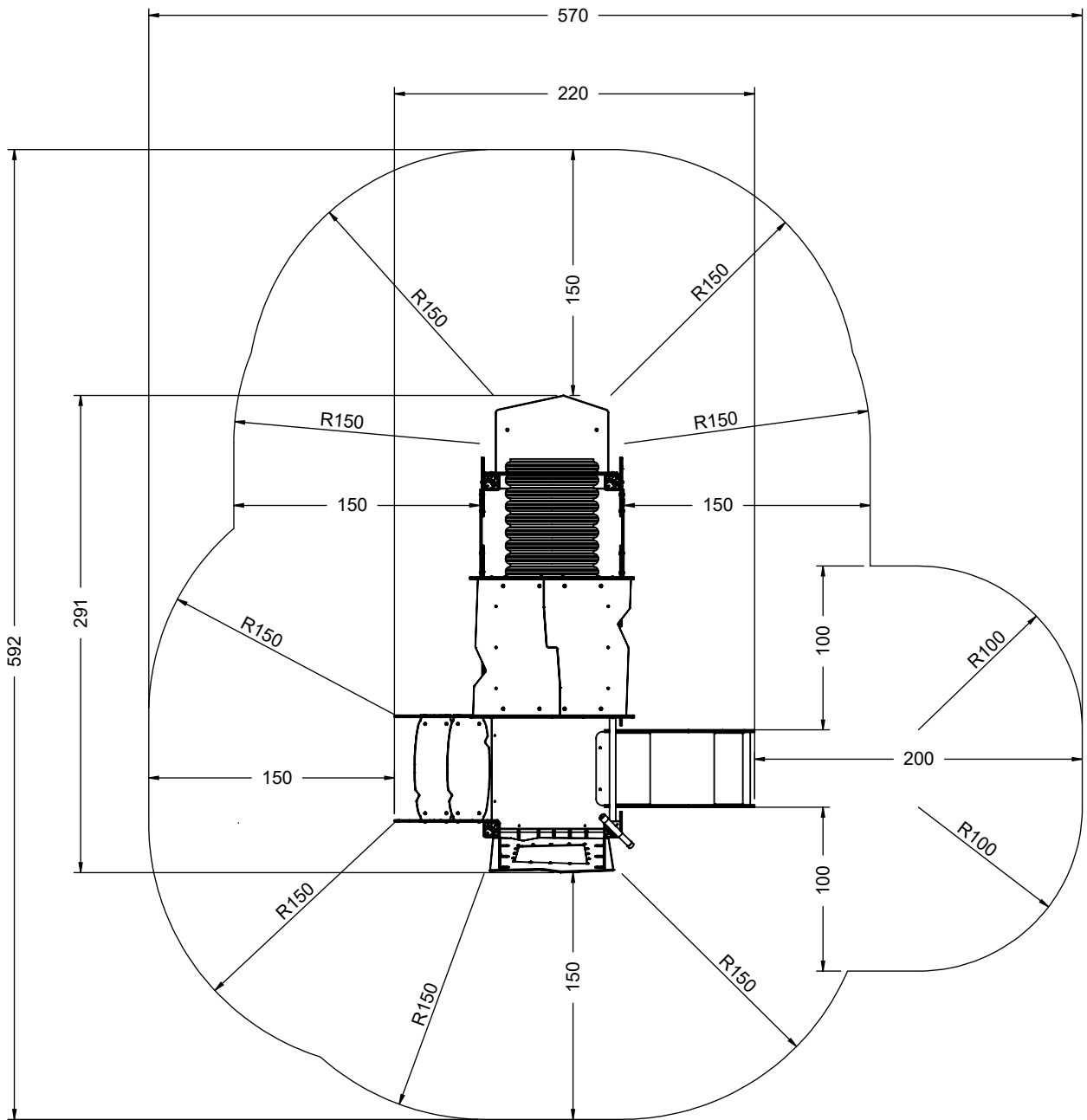
vinci
play



[cm]



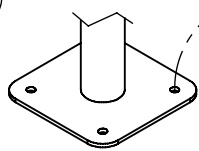
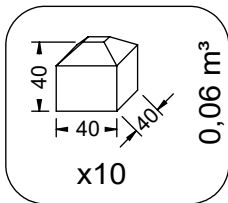
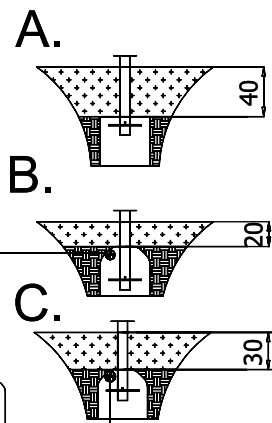
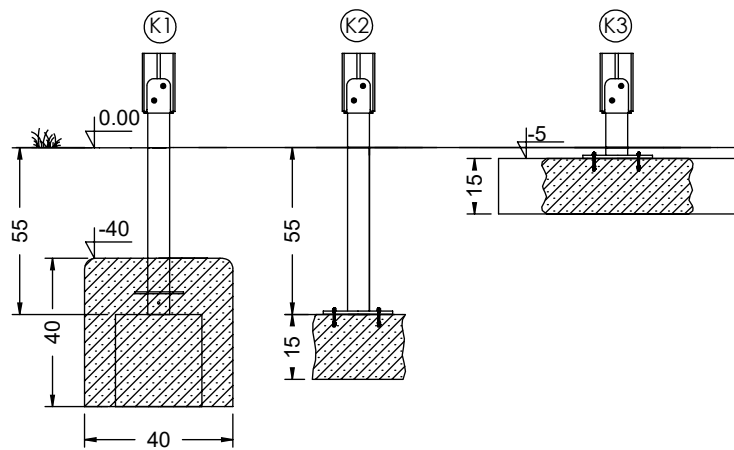
vinci
play

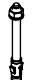

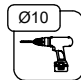





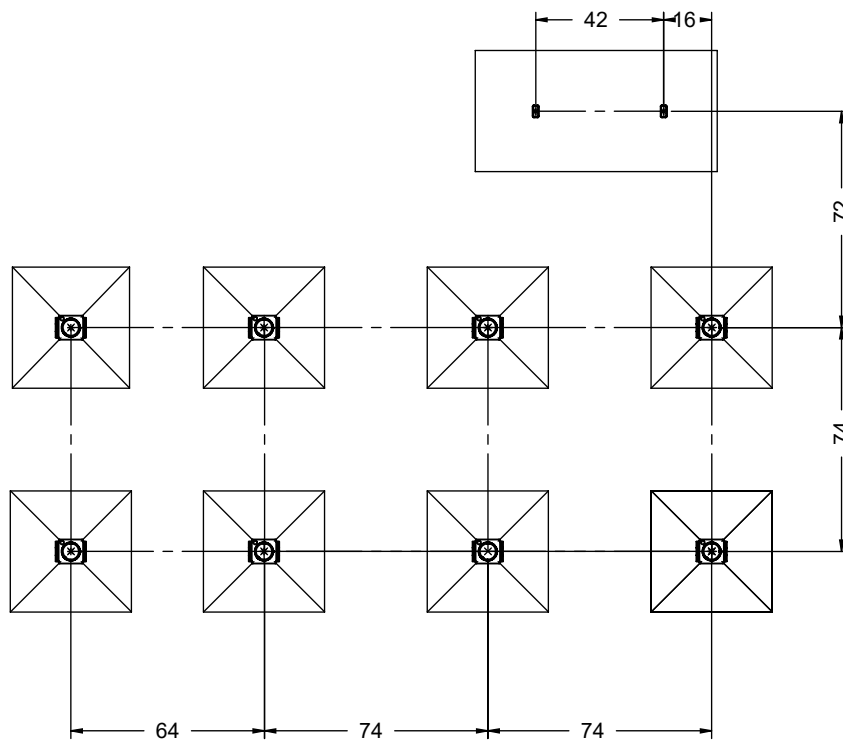
[cm]



vinci
play



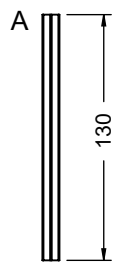
32x M10x120 (K2)	2x M8x120 (K2)
34x M10x120 (K3)	
	
	
NOT INCLUDED	NOT INCLUDED
	



[cm]

 x2	4,5h			48h	 x10	0,06 m ³	 x10	>0,02 m ³
--	------	---	---	-----	--	---------------------	---	----------------------

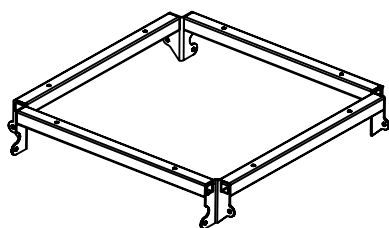
vinci
play



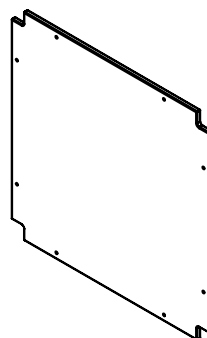
14713090
x4



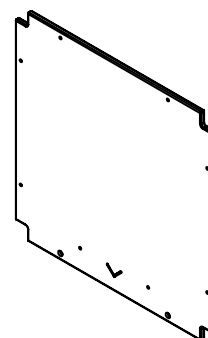
14718990
x4



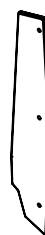
142109
x2



141100
x1



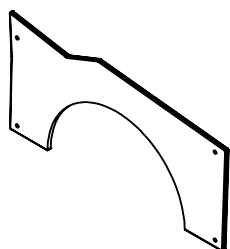
141101
x1



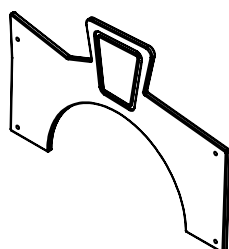
141133
x2



141125
x1



141140
x3



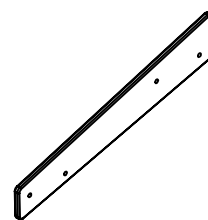
141304
x1



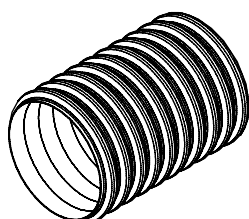
141311
x2



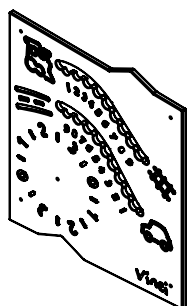
141310
x2



141312
x2



996132
x1



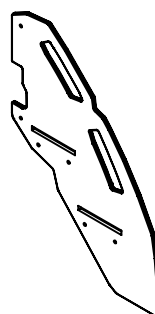
141303
x1



141319
x2



141307
x2



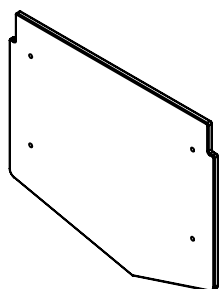
141188
x2



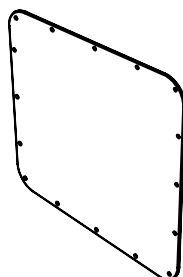
141189
x2



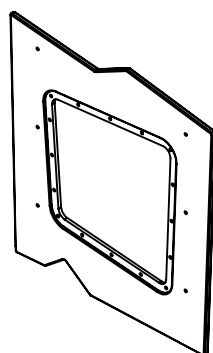
141309
x2



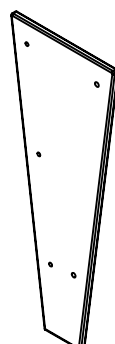
141308
x1



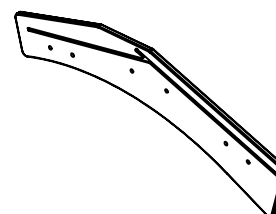
141306
x1



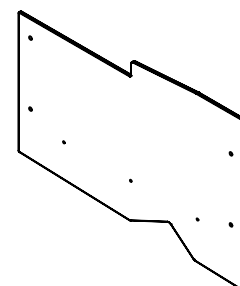
141305
x1



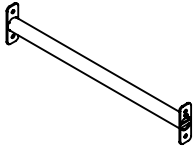
141137
x2



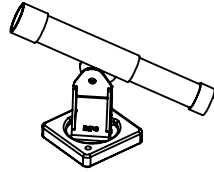
141313
x2



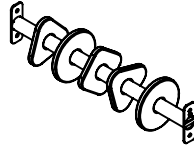
141314
x2



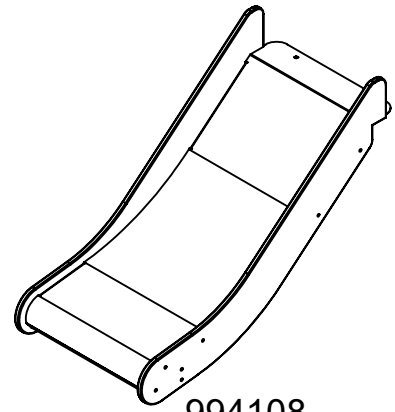
142117
x1



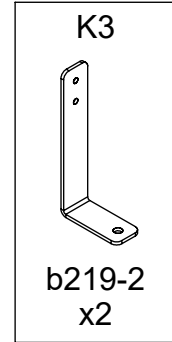
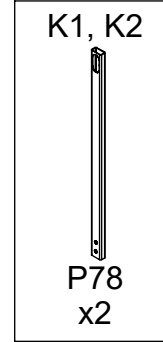
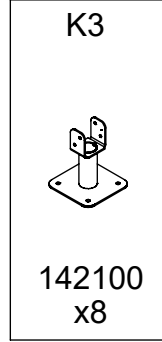
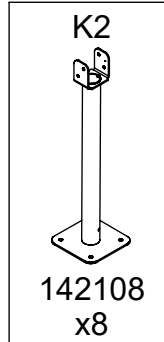
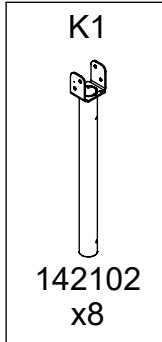
144247
x1



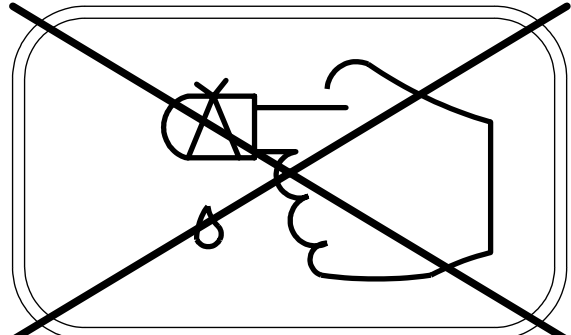
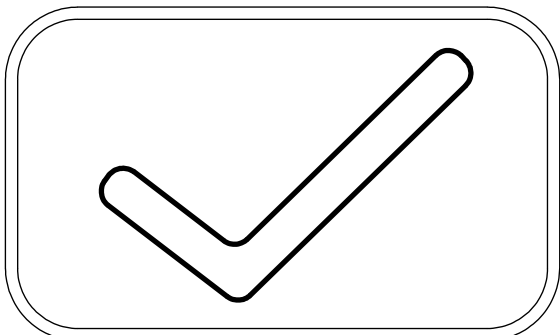
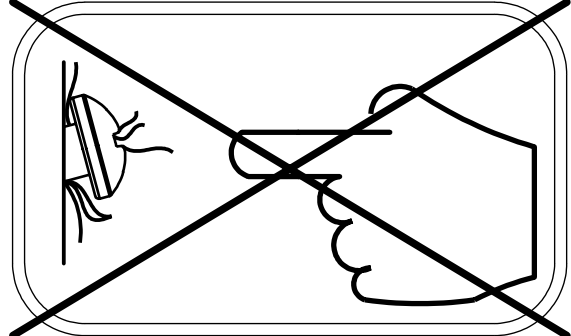
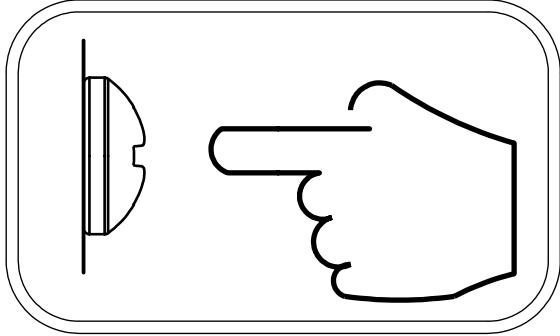
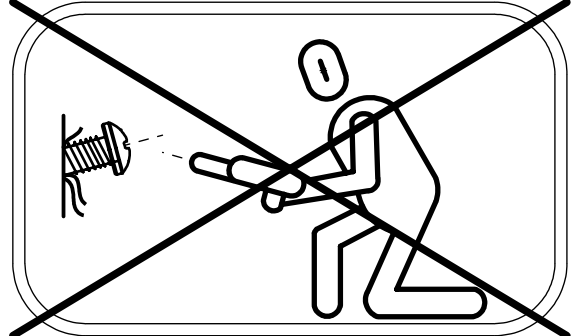
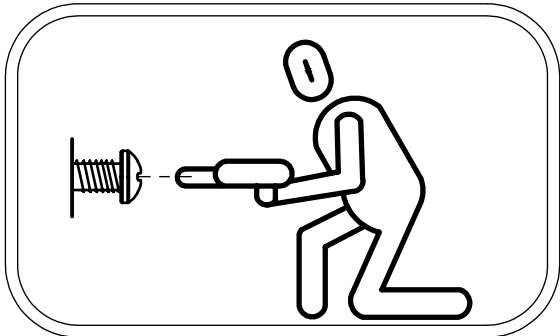
144126
x1

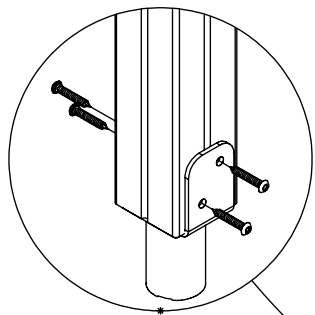


994108
x1

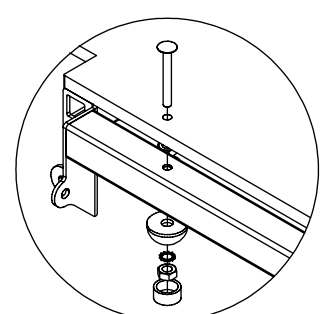
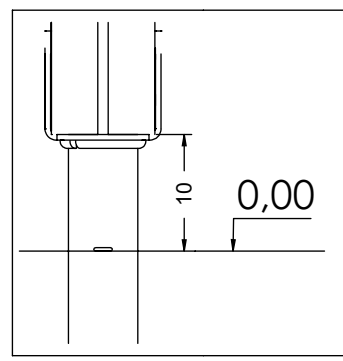
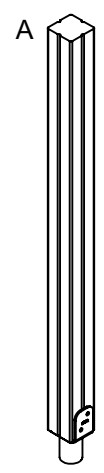
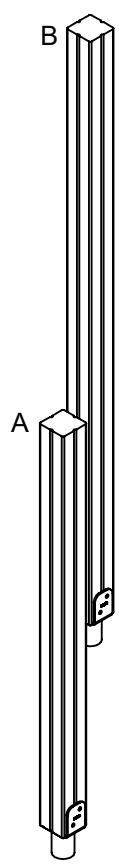
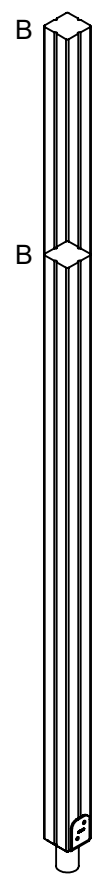
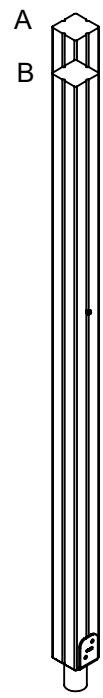
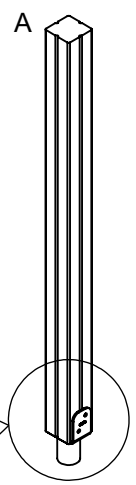


			<i>Plywood/ HDPE</i>		<i>HPL</i>
114x	8x50 sxi	1x	WD74	1x	WD75
1x	E34 _(K1,K3)	1x	WD76	1x	WD77
1x	E35 _(K2)	1x	WE127	1x	WL127
3x	WD1	1x	WE128	1x	WL128
1x	V001	1x	WD25	1x	WD26
2x	6x80 sxt	1x	WE125	1x	WL125
4x	i128-1	2x	WE126	2x	WL126
		1x	CE83	1x	CL83
		1x	WS129	1x	WH129
		2x	WE130	2x	WL130
		1x	WD28 _(S1)	1x	WD29 _(S1)
		1x	WD113 _(S6)	1x	WD114 _(S6)
		1x	WD106	1x	WD107
		1x	WD108	1x	WD109
				2x	E130

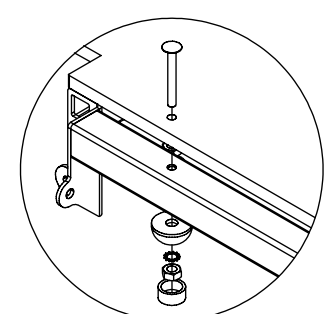
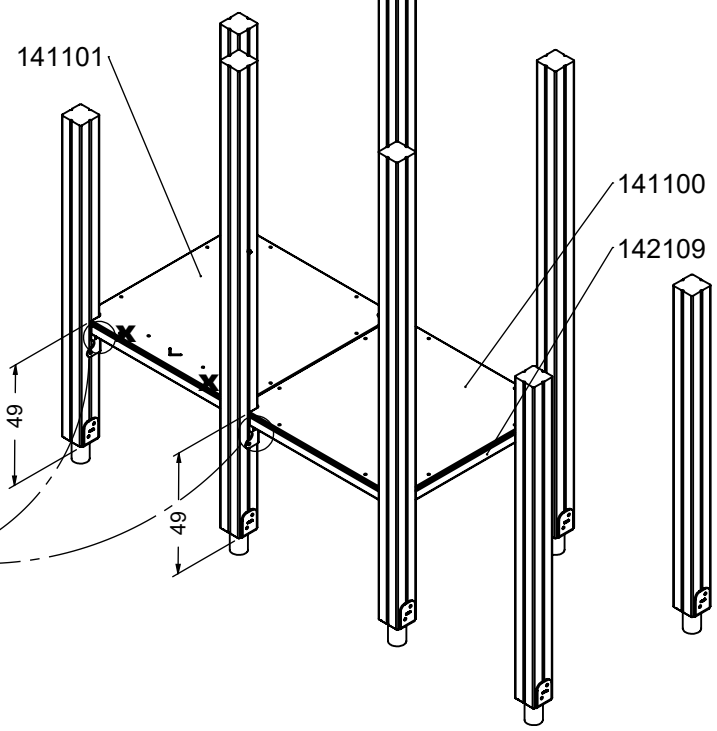
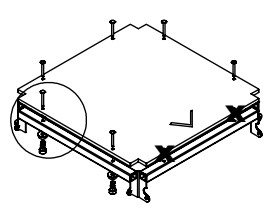




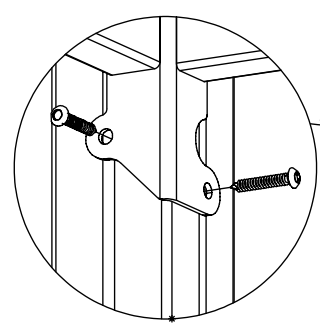
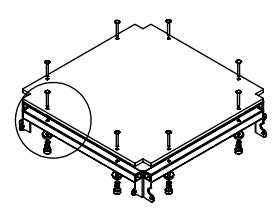
8x50 sxi



PLYWOOD HPL
WD74 ○ WD75

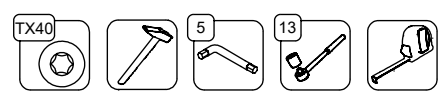


PLYWOOD HPL
WD76 ○ WD77



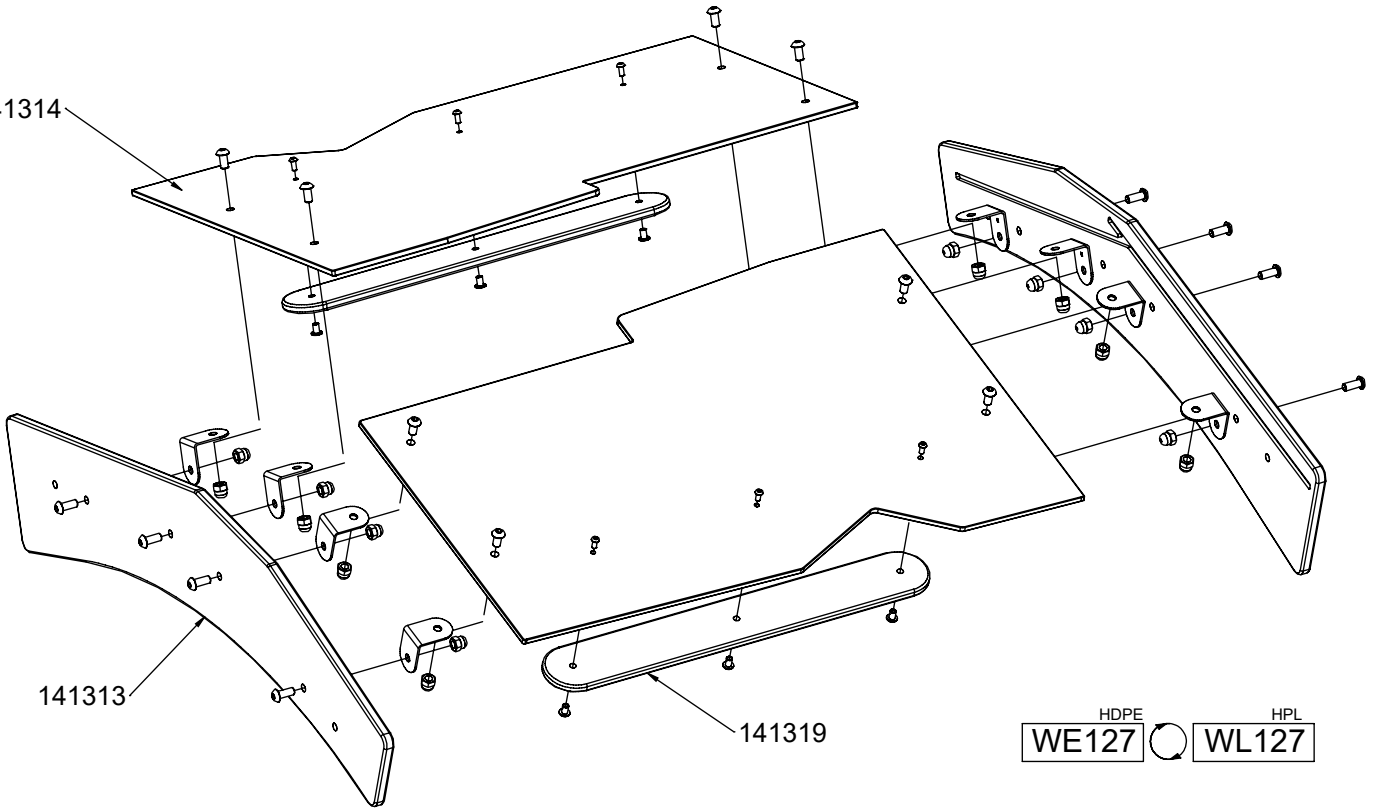
8x50 sxi

[cm]



vinci play

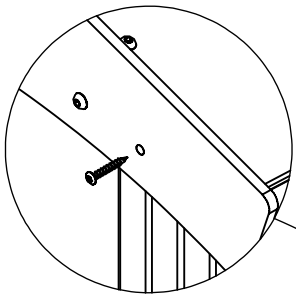
141314



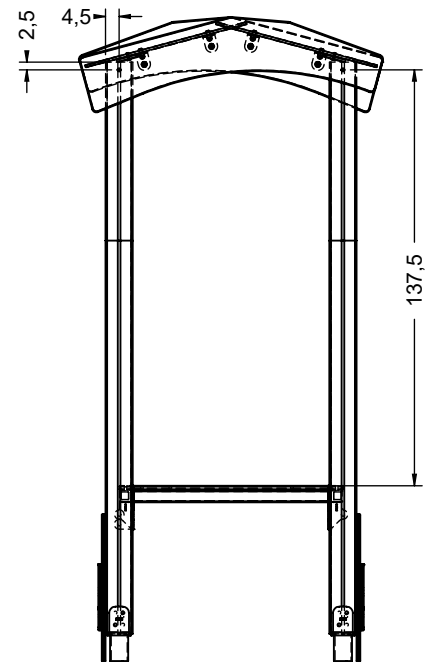
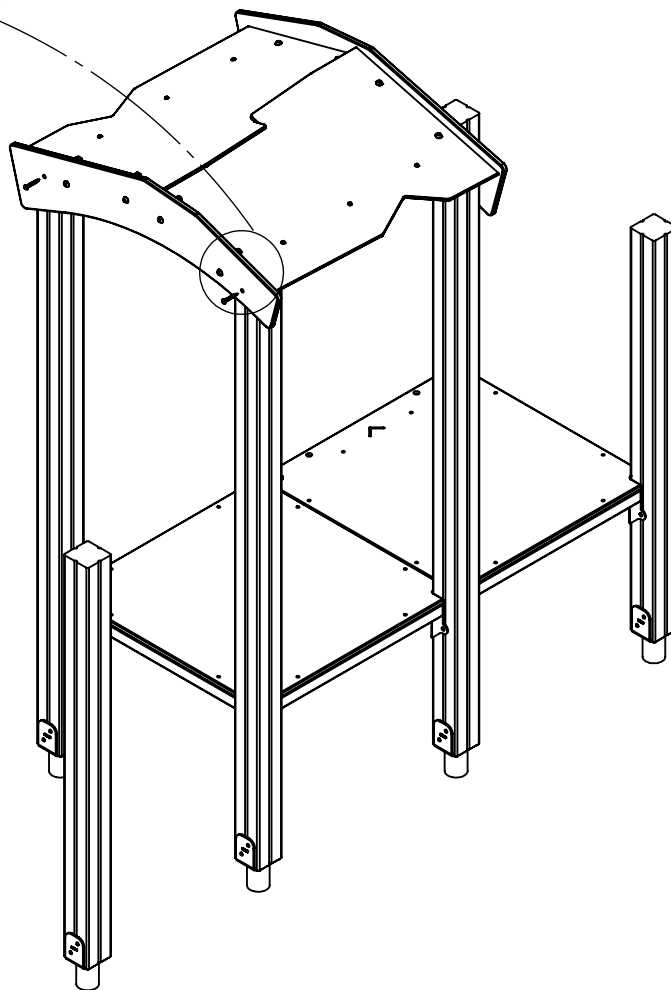
141313

141319

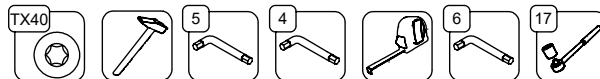
HDPE WE127  HPL WL127



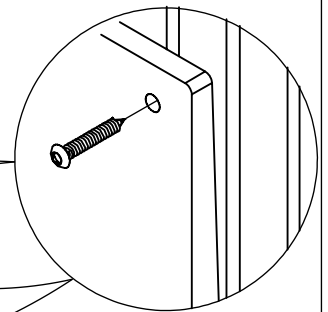
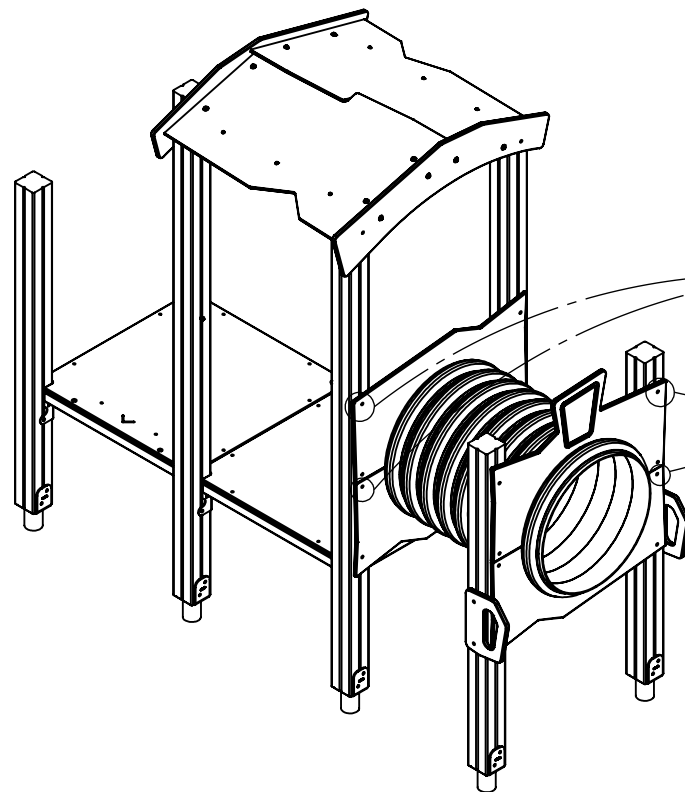
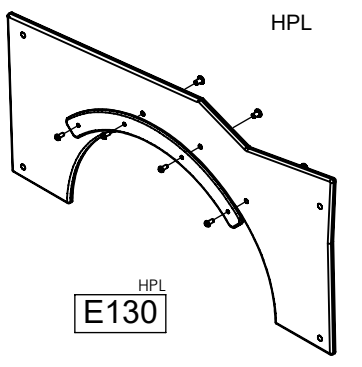
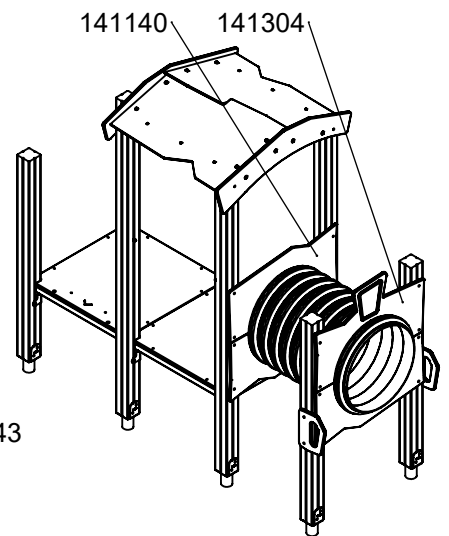
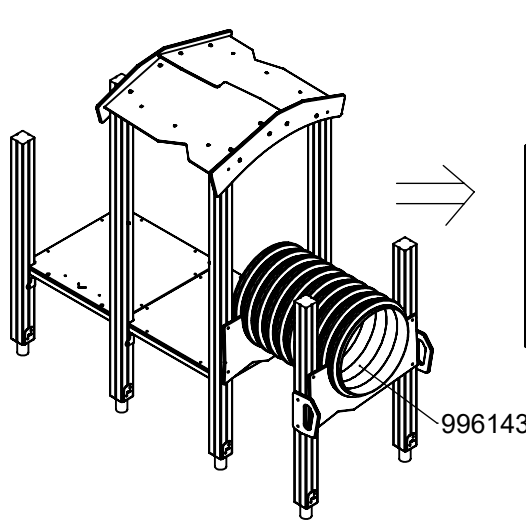
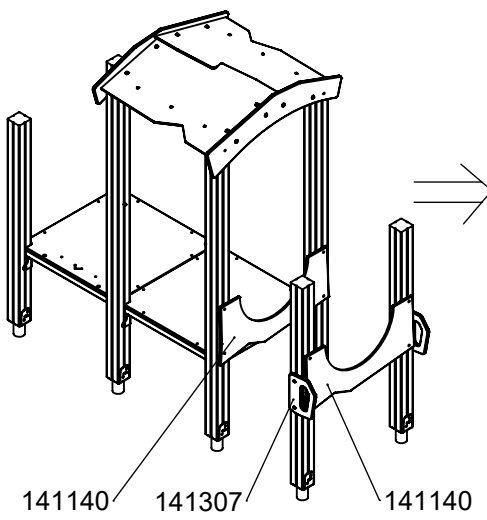
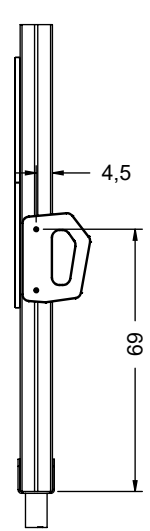
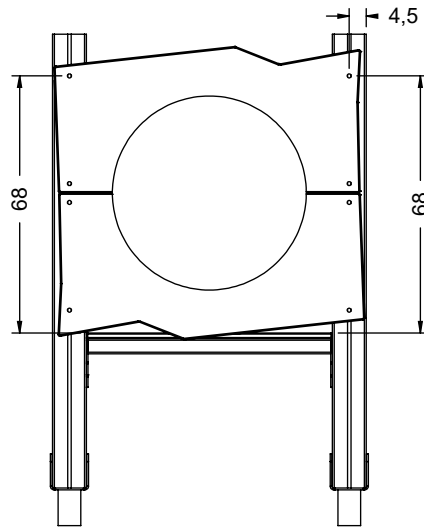
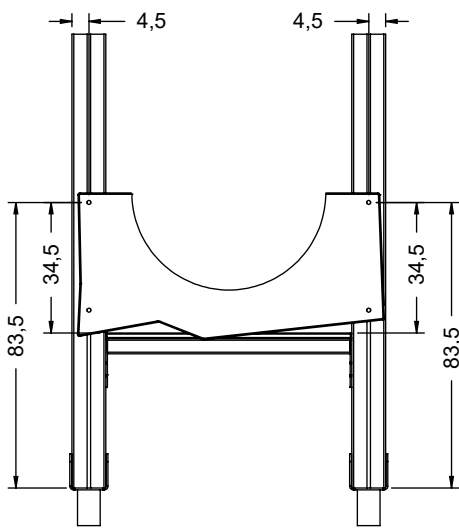
8x50 sxi



[cm]

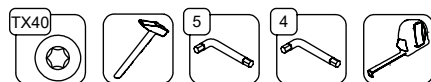


vinci
play

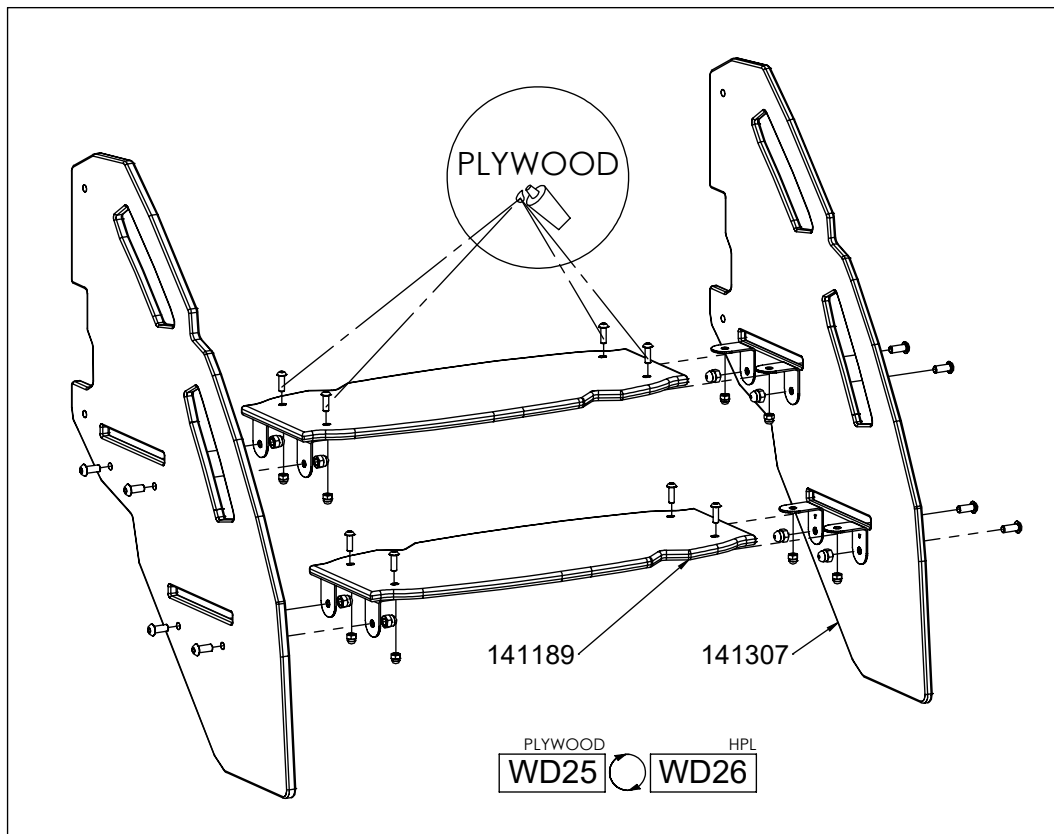
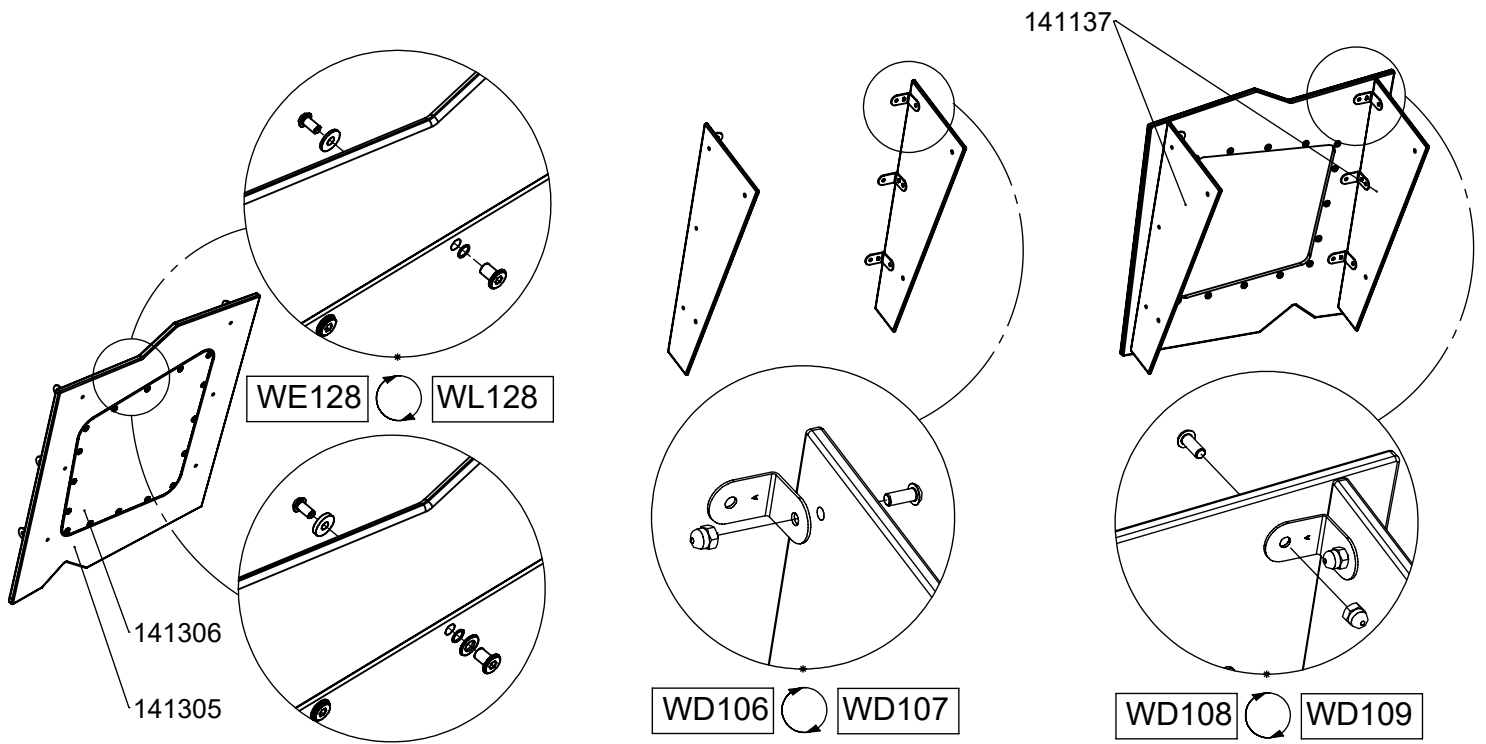


8x50 sxi

[cm]



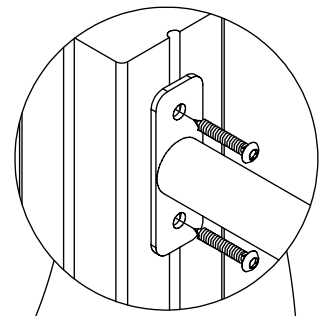
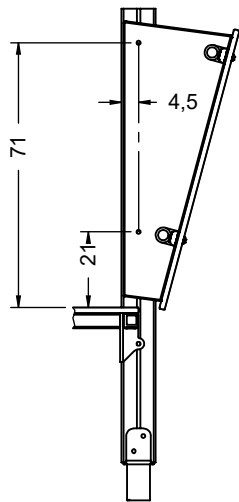
vinci play



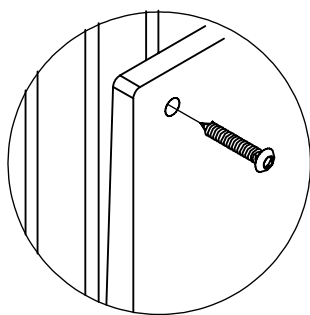
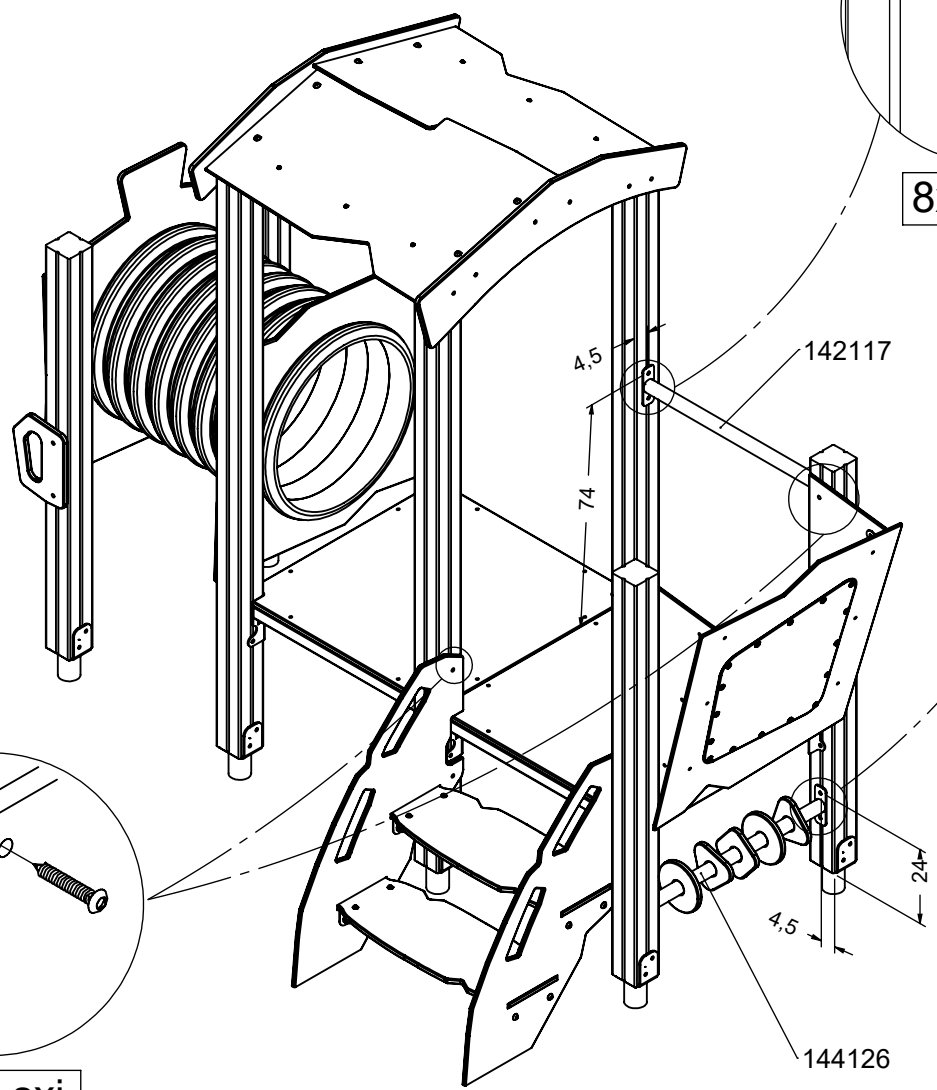
[cm]



vinci
play



8x50 sxi

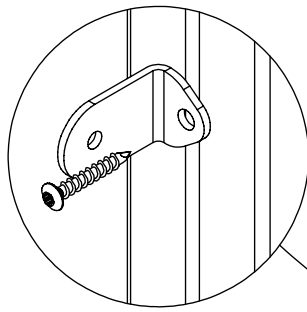


8x50 sxi

[cm]

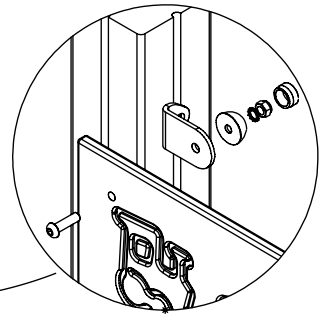
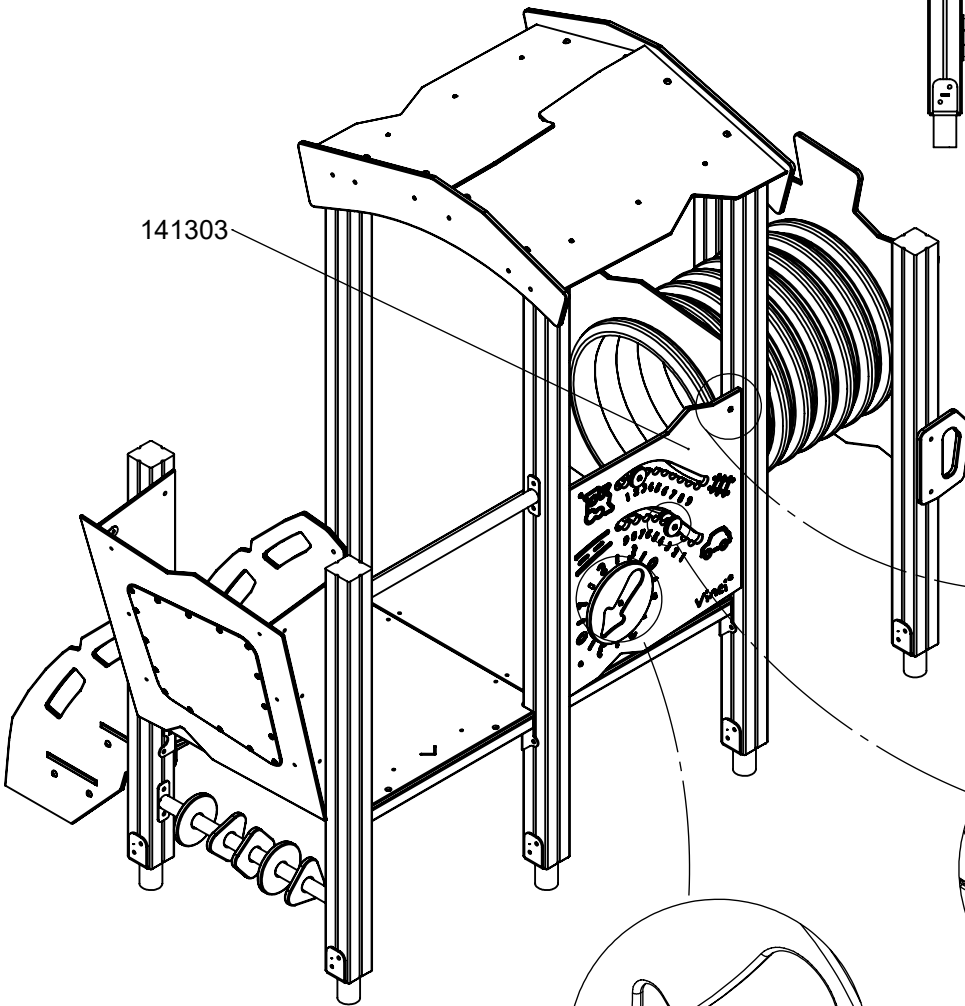
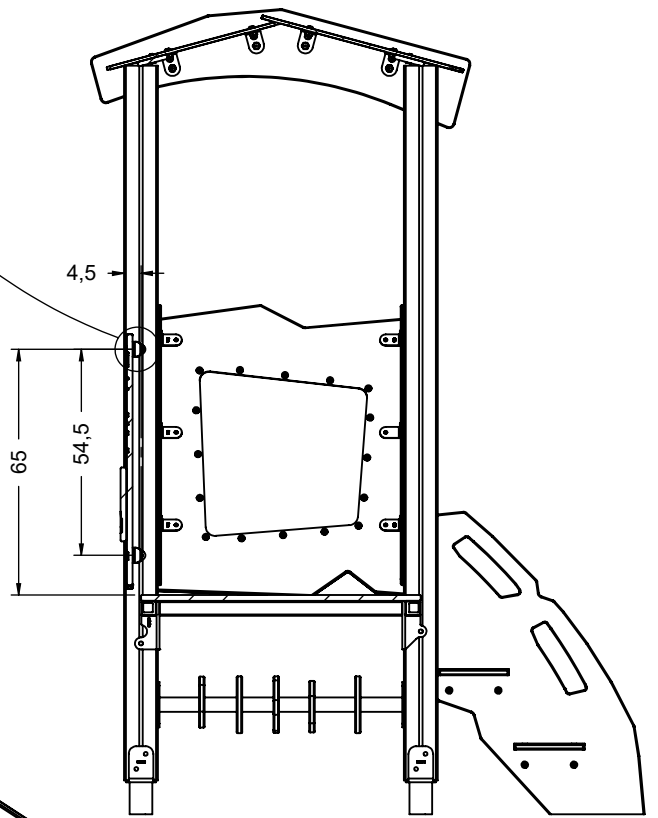


vinci
play

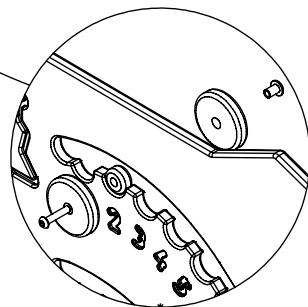


8x50 sxi

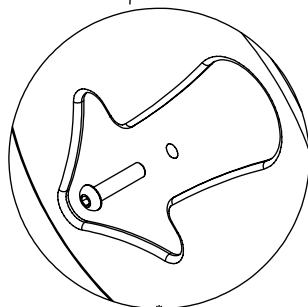
i128-1



WE125 WL125



WE126 WL126

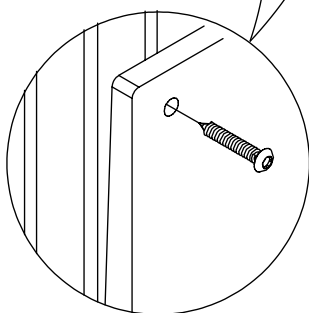
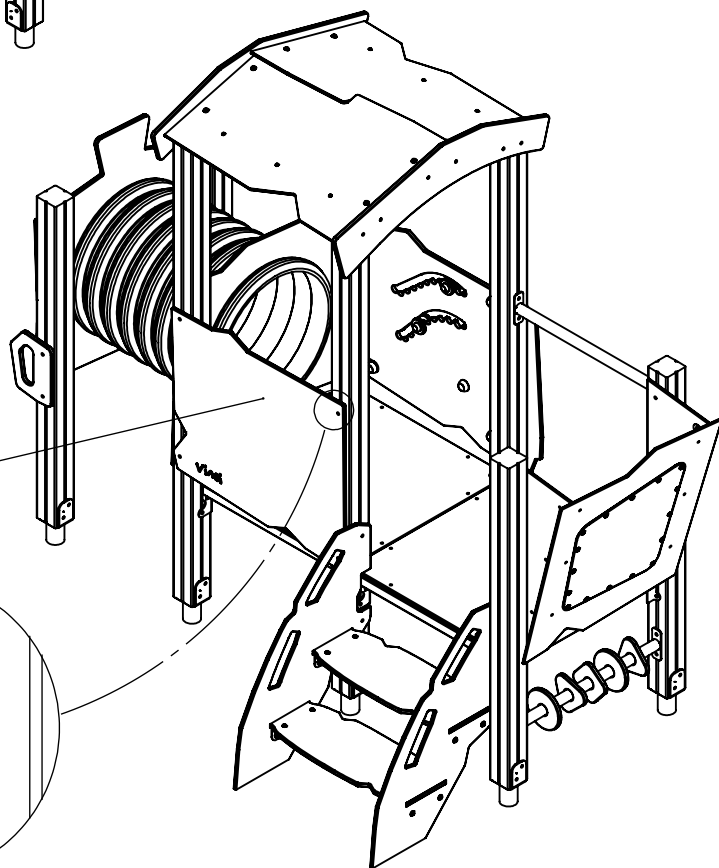
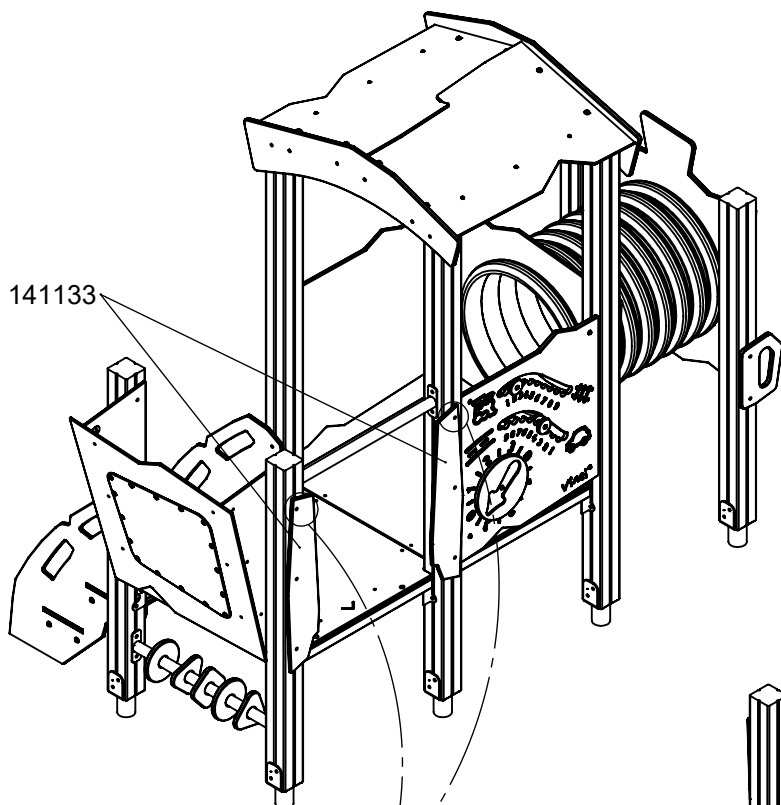
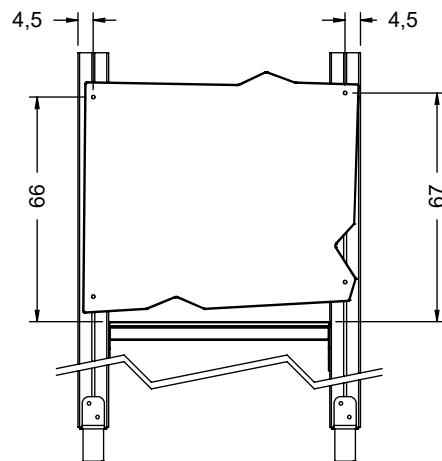
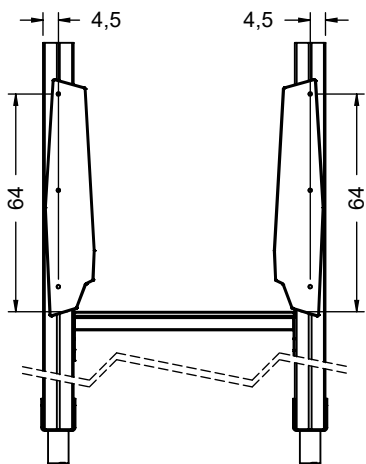


CE83 CL83

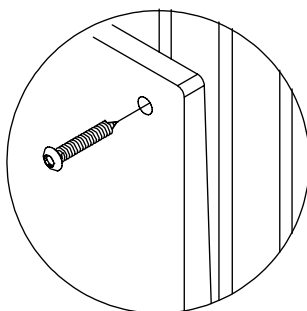


[cm]

vinci play



8x50 sxi

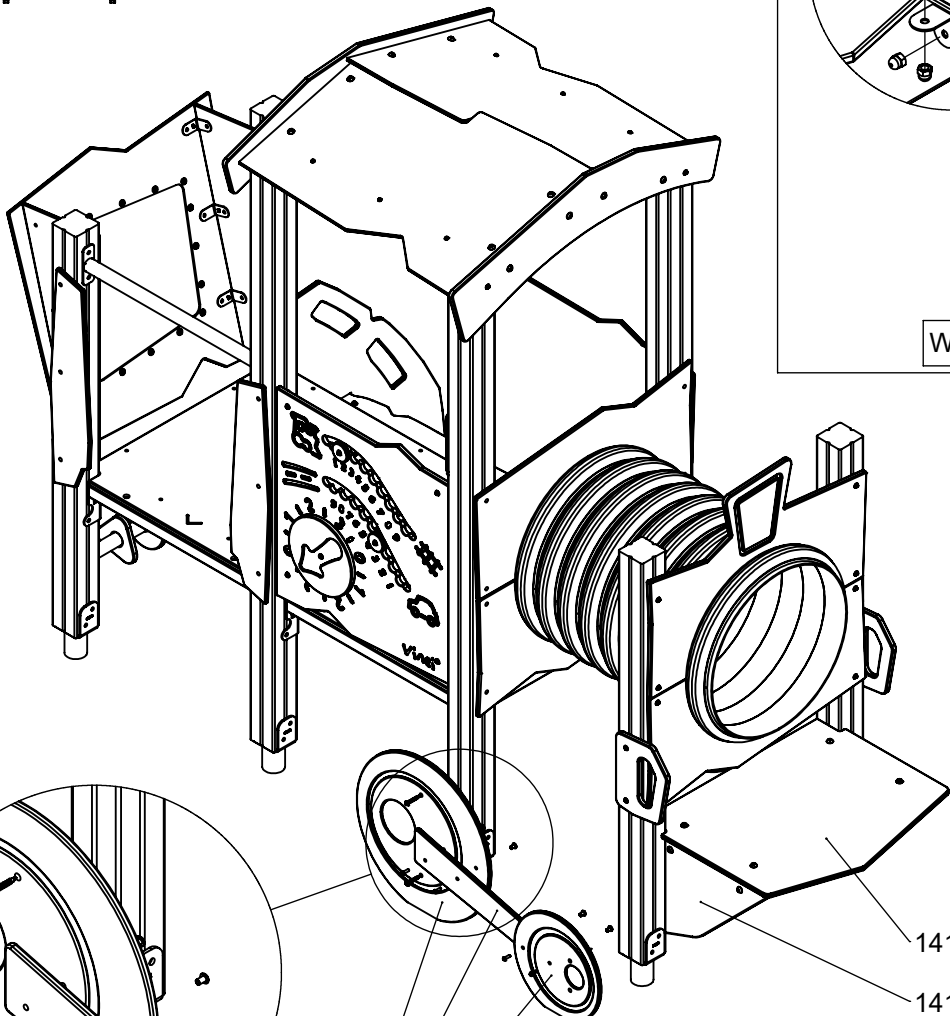
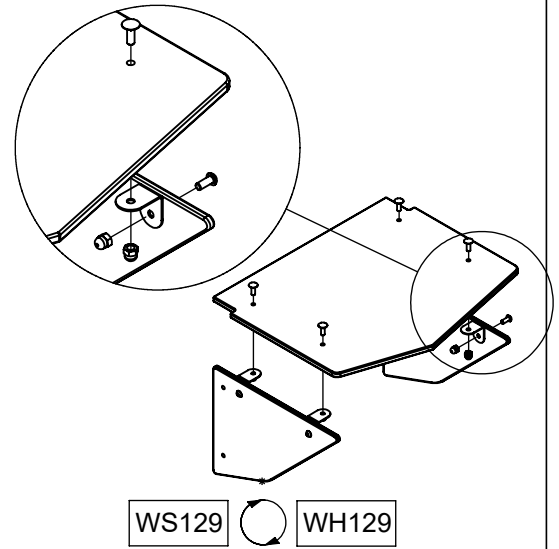
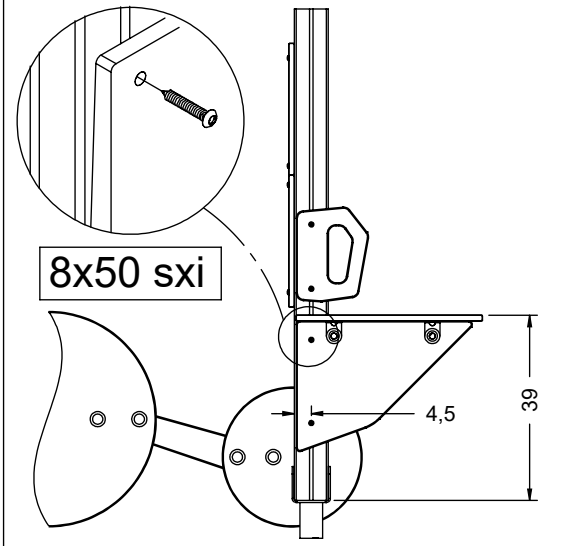
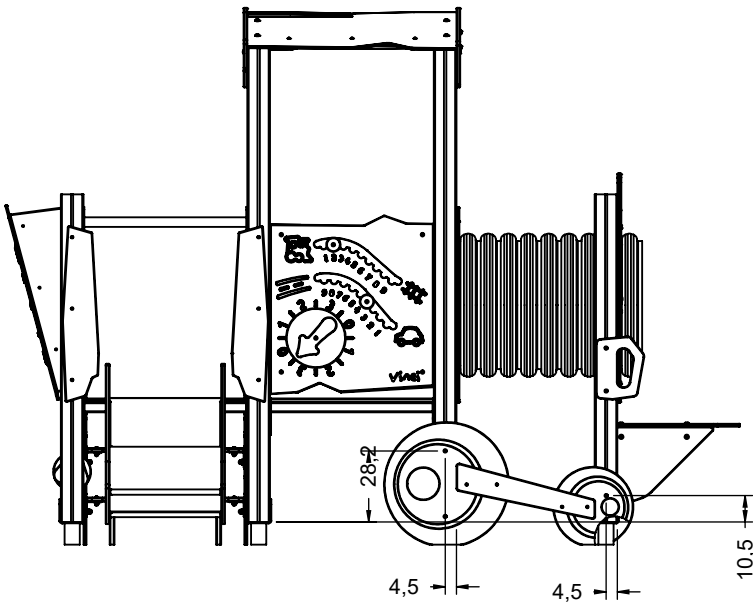


8x50 sxi

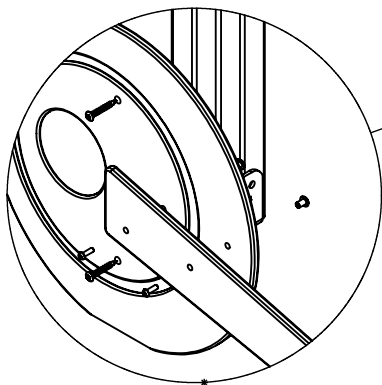


[cm]

vinci
play



141308
141309



141310
141312
141311

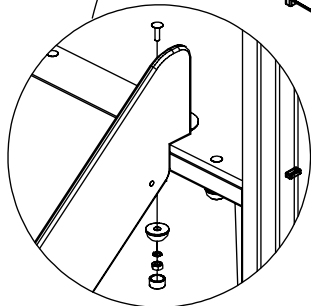
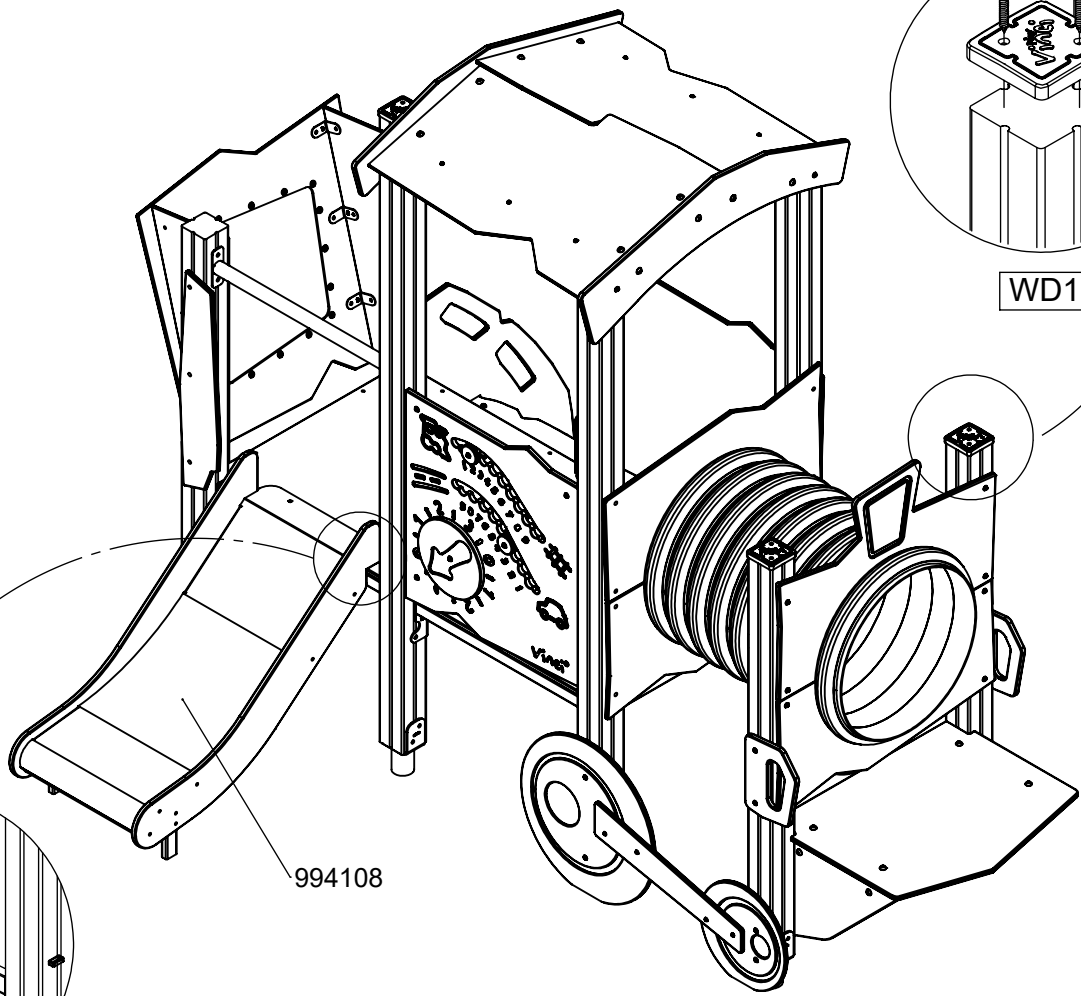
WE130 WL130

8x50 sxi

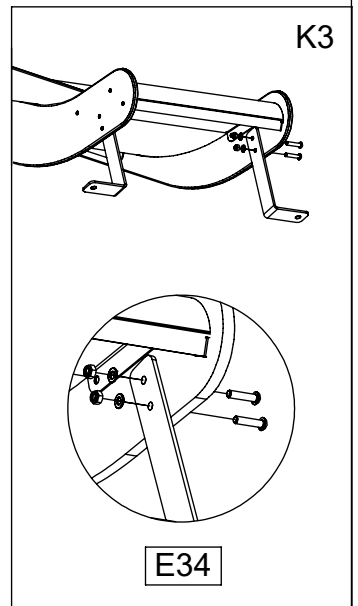
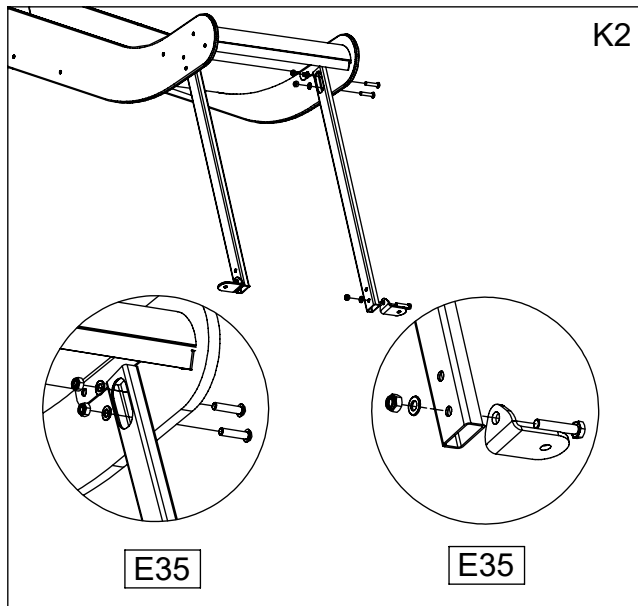
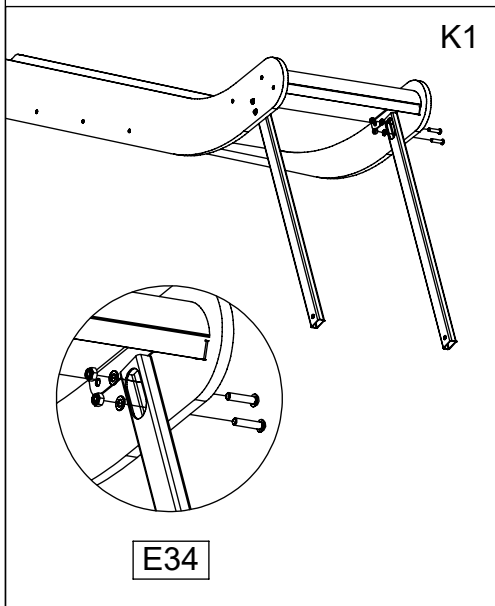


[cm]

vinci
play



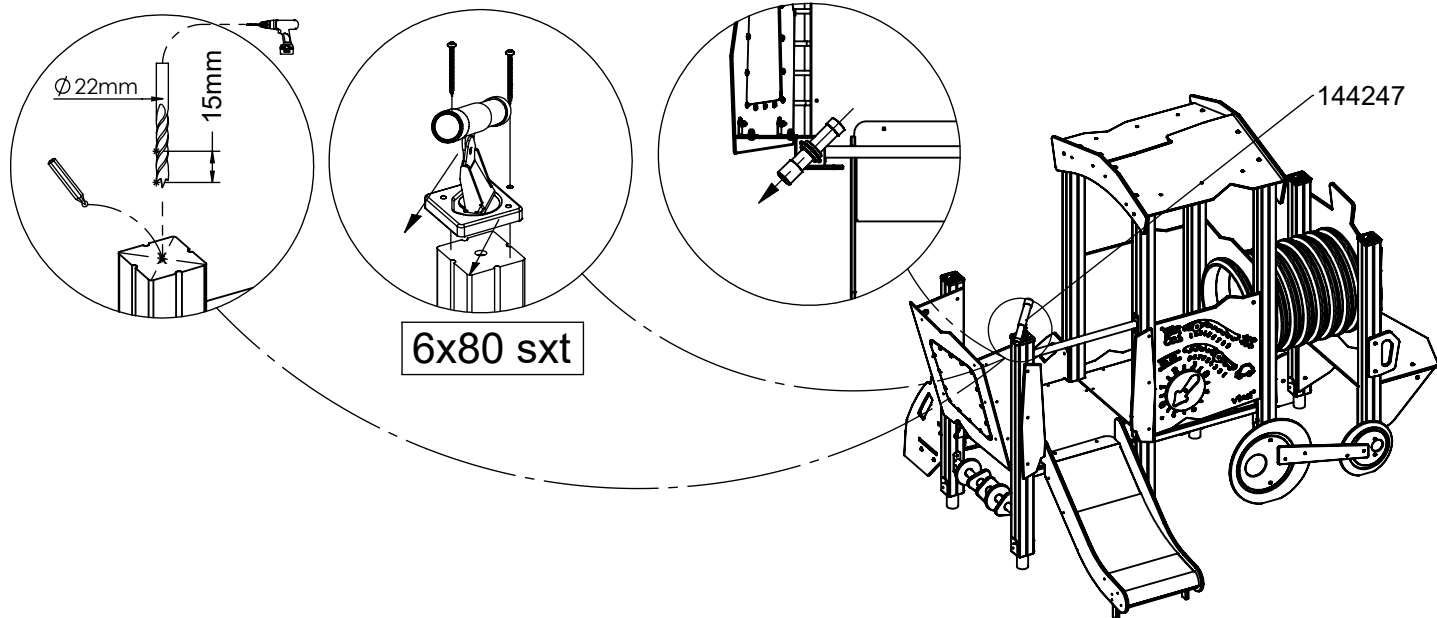
- | | | |
|---------|------|-------|
| PLYWOOD | | HPL |
| WD28 | (S1) | WD29 |
| PLYWOOD | | HPL |
| WD113 | (S6) | WD114 |



[cm]

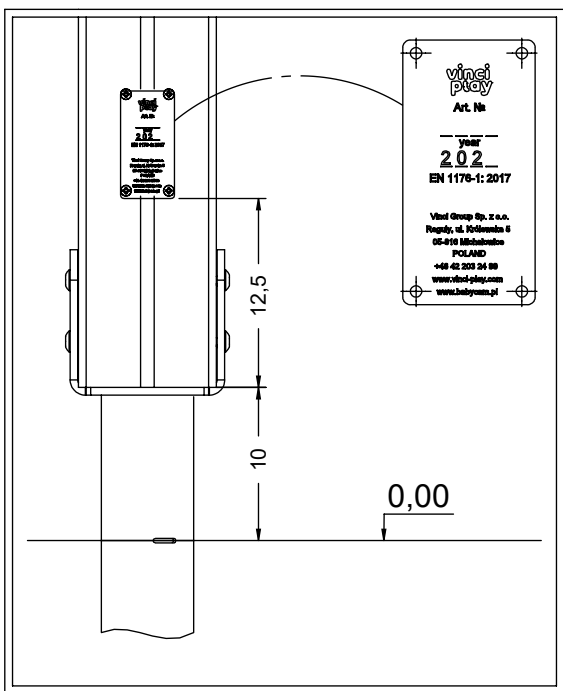


vinci
play

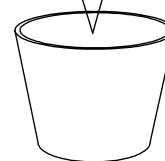
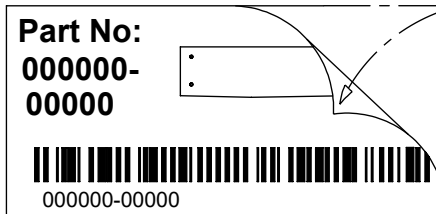


6x80 sxt

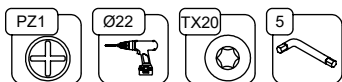
144247



V001



[cm]



vinci
play