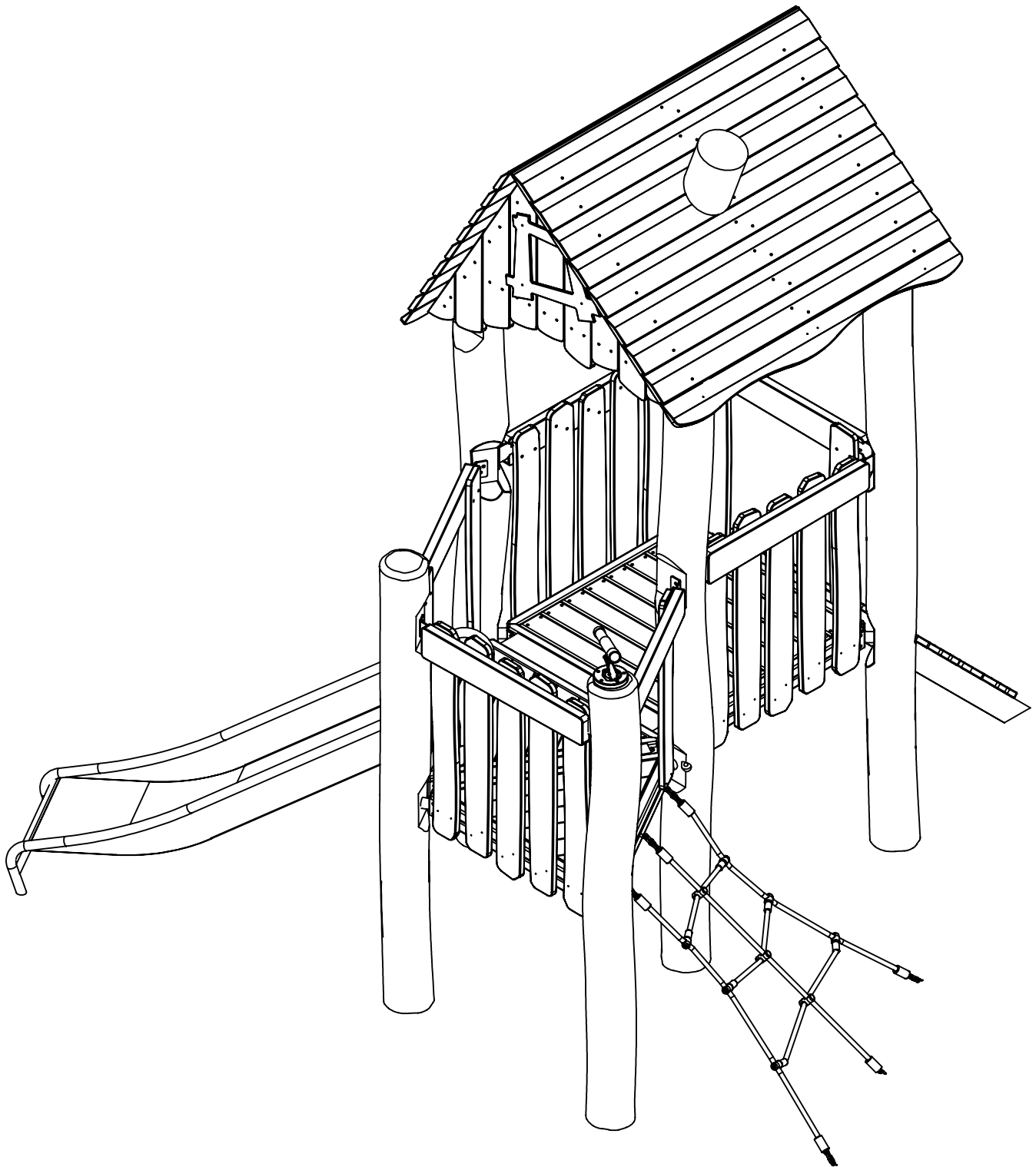
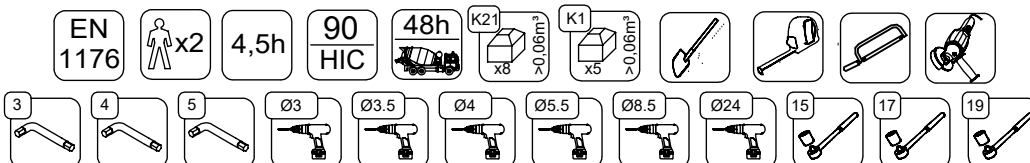


RB1206

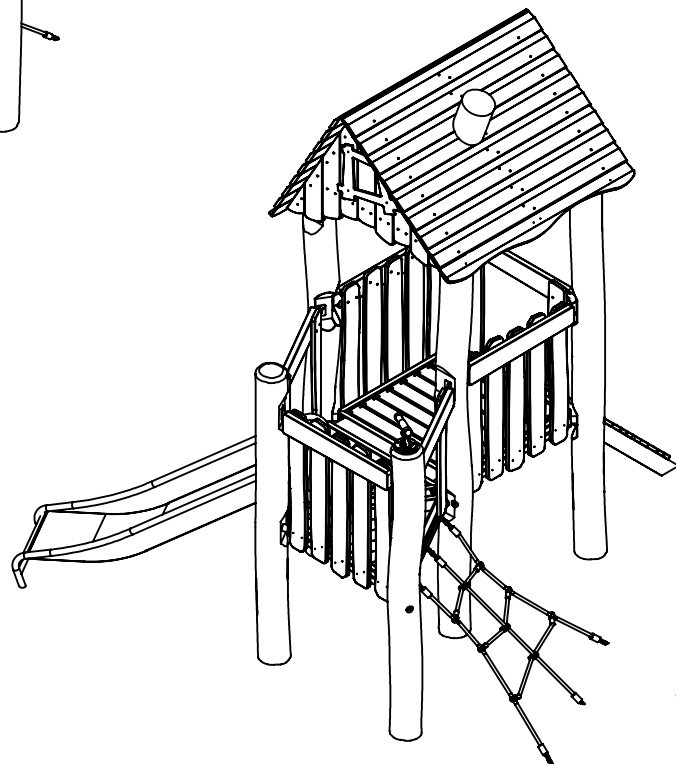
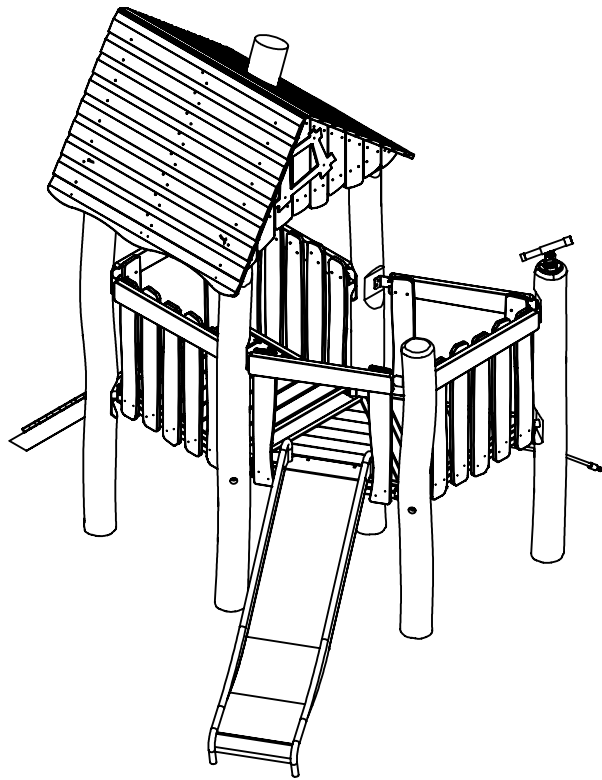
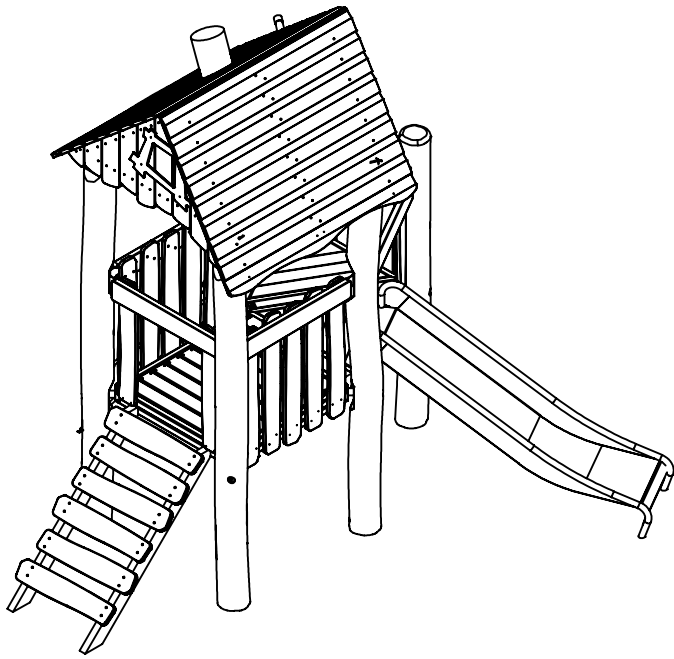


v011
15.09.2021
D.P.

[cm]

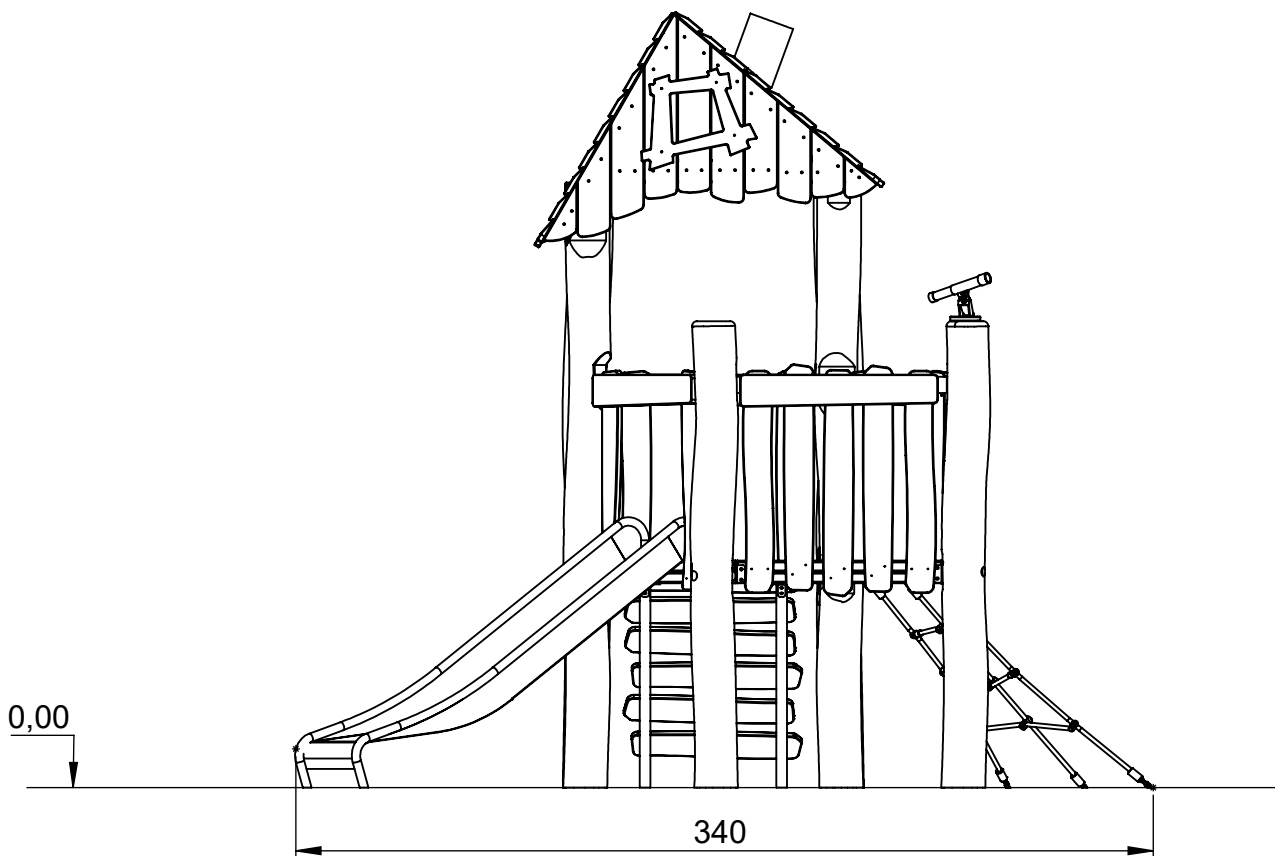
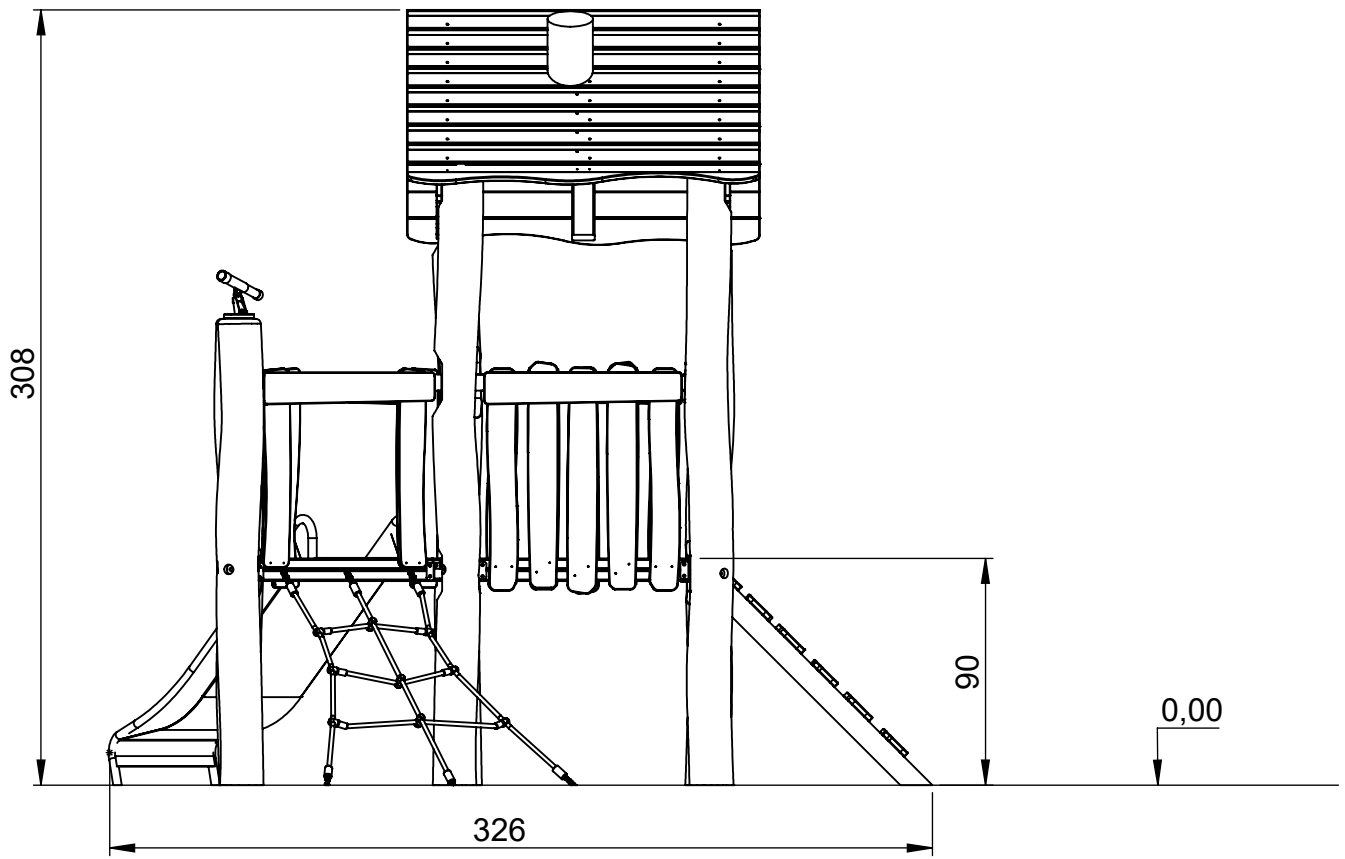


vinci
play



[cm]

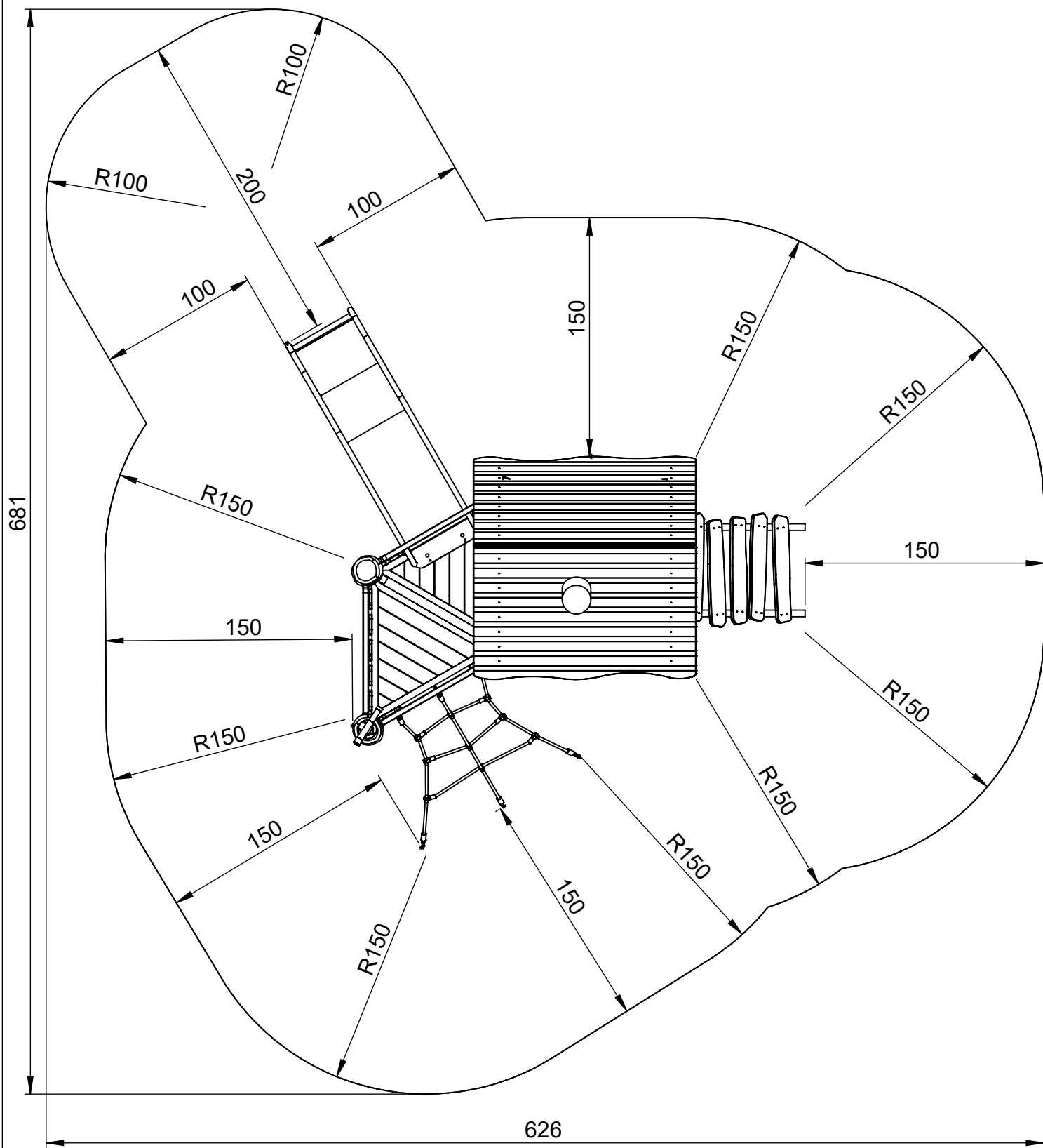
vinci
play



[cm]



vinci
play

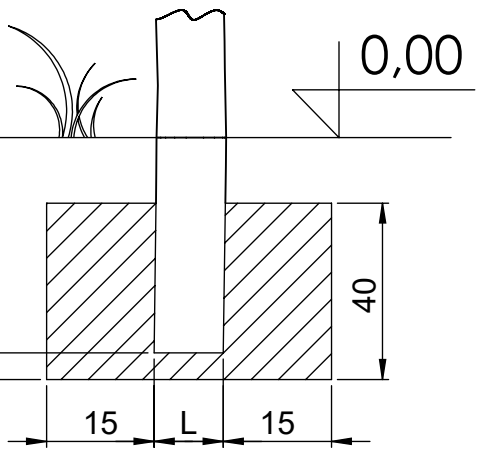


[cm]



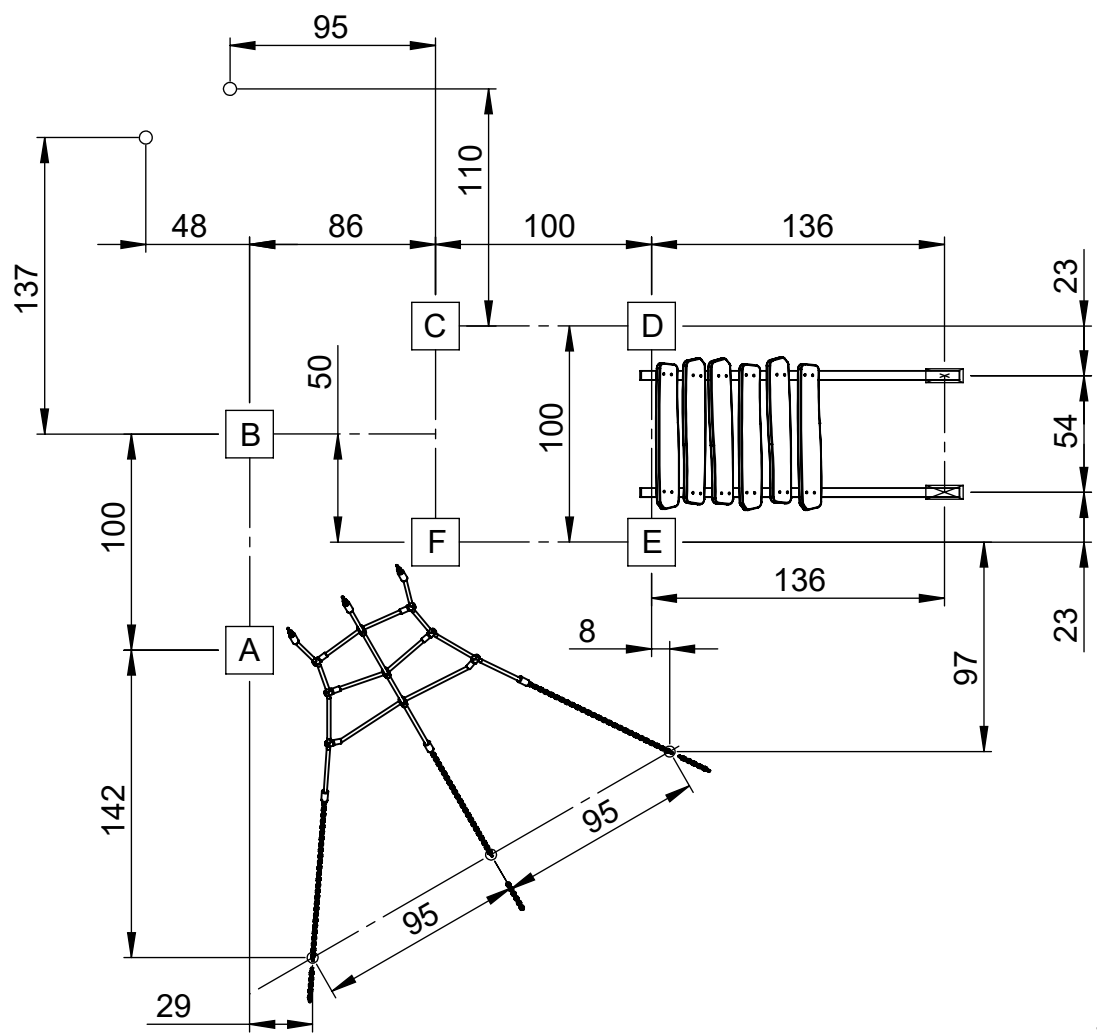
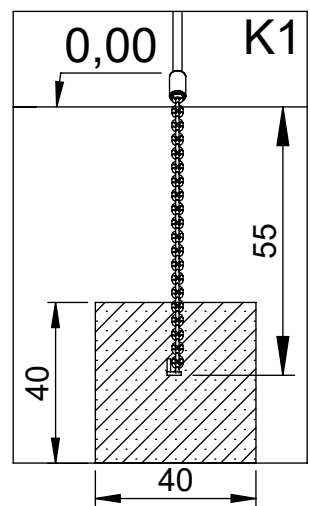
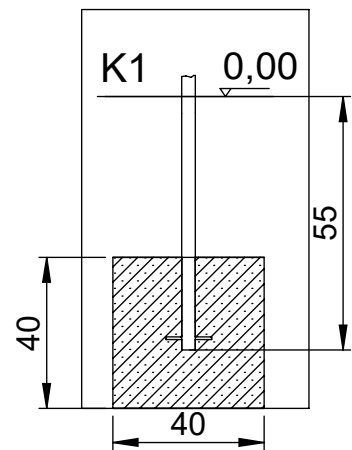
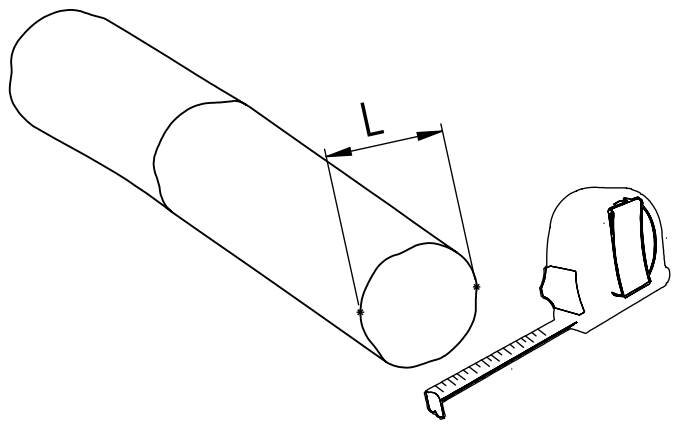
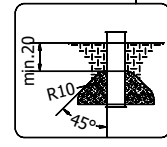
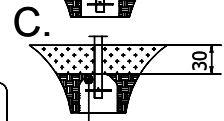
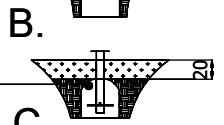
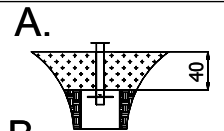
vinci play

K21



0,00

48h



[cm]

x2

4,5h

48h

K21

x8 >0,06m³

K1

x5 >0,06m³

vinci
play



127256 (A)
x1



127257 (B)
x1



127258 (C)
x1



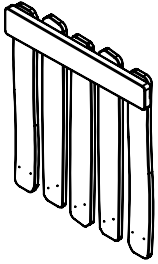
127287 (D)
x1



127288 (E)
x1



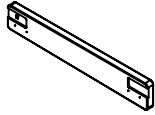
127259 (F)
x1



124104
x3



128181
x6



128107
x3



128103
x1



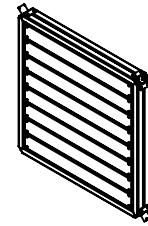
128178
x1



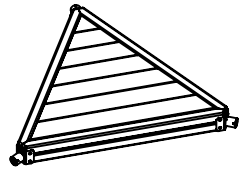
128113
x2



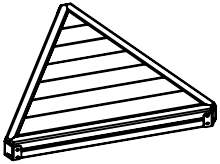
128179
x2



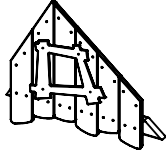
124100
x1



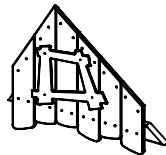
124108
x1



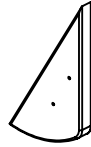
124137
x1



124135
x1



124132
x1



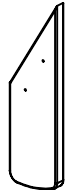
128229
128117
x1



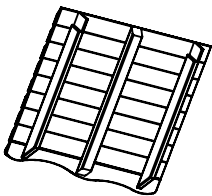
128229
128126
x1



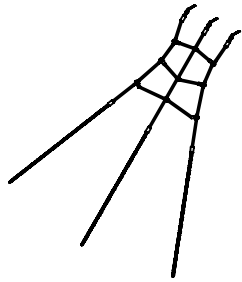
128237
128125
x1



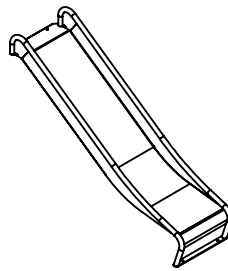
128230
128118
x1



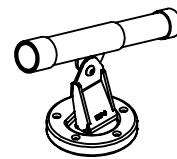
124133
x2



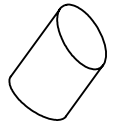
125100
x1



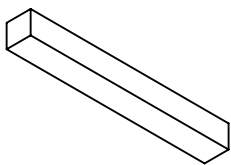
994172
x1



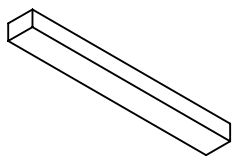
124116
x1



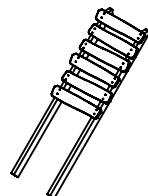
128172
x1



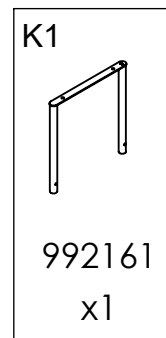
128176
x1



128169
x1



124109
x1

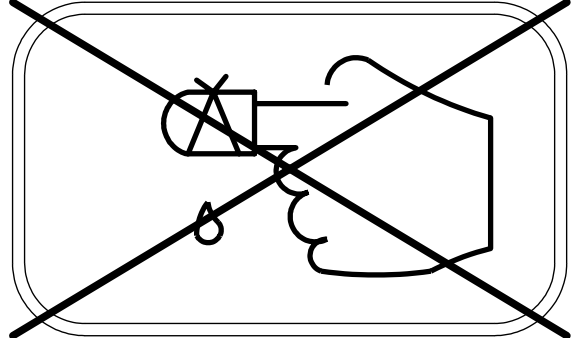
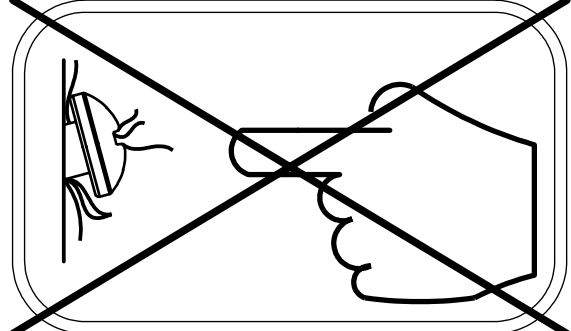
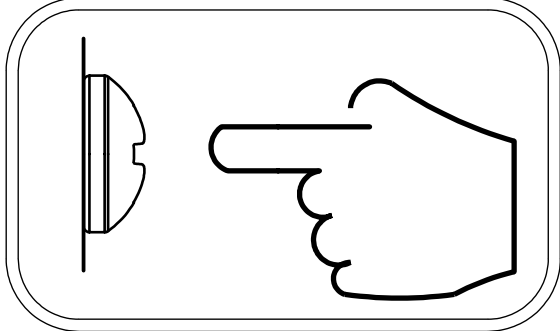
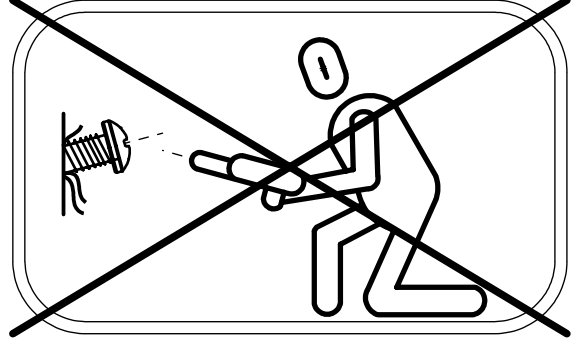


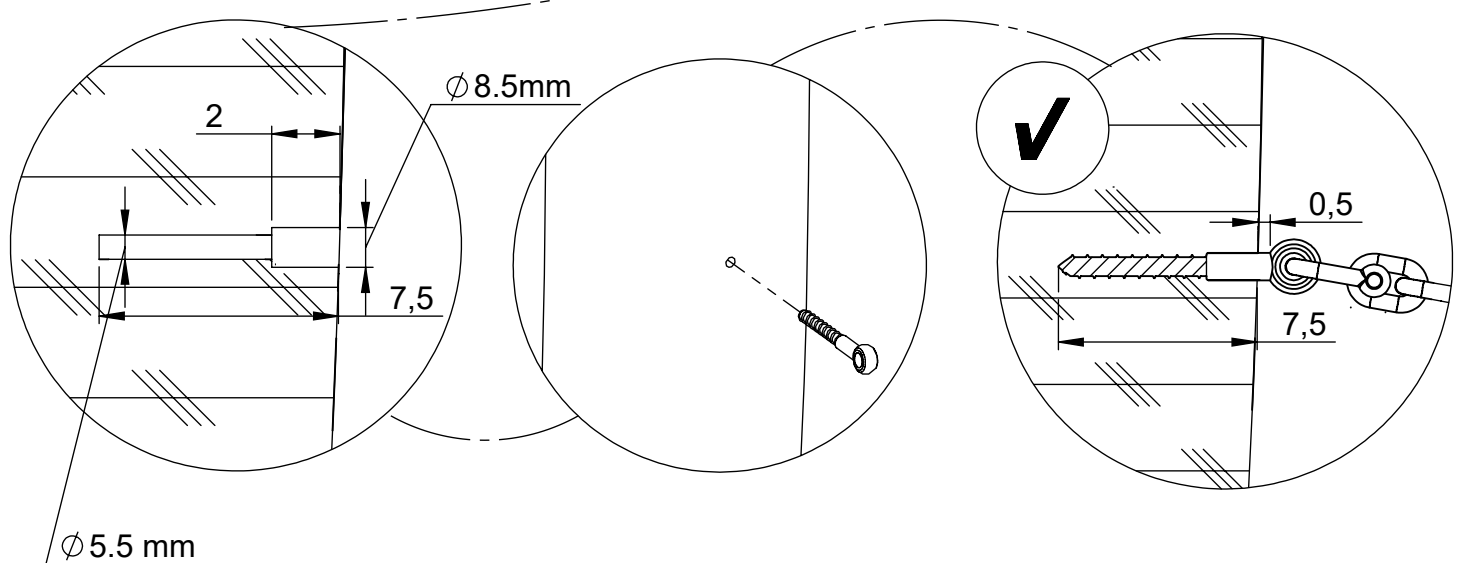
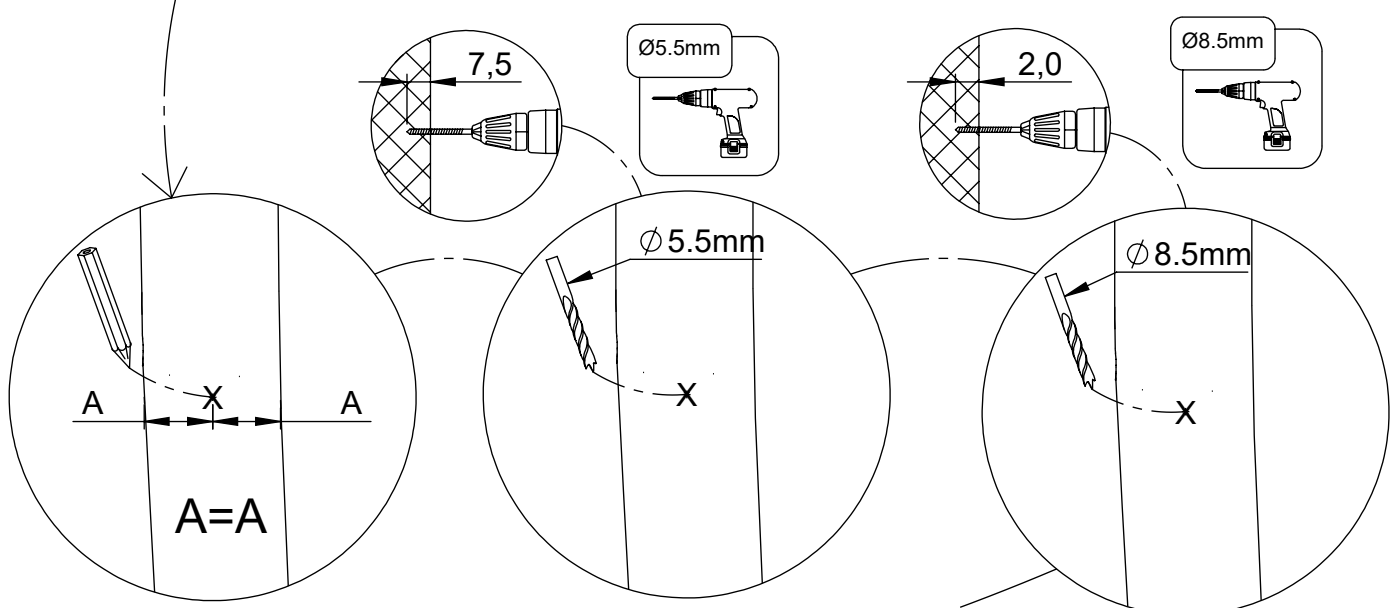
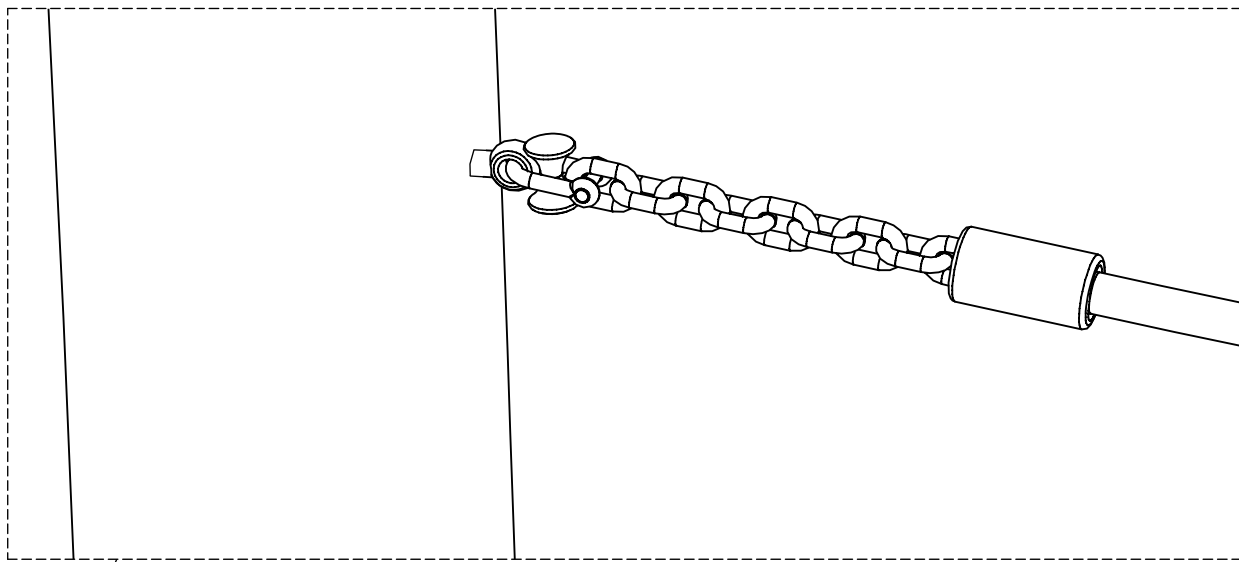
K1

992161
x1

36x	5x30sxs
108x	5x50sxs
12x	5x80sxs
6x	7x35sxi
26x	8x50sxi
6x	8x80sxt
6x	8x160sxt

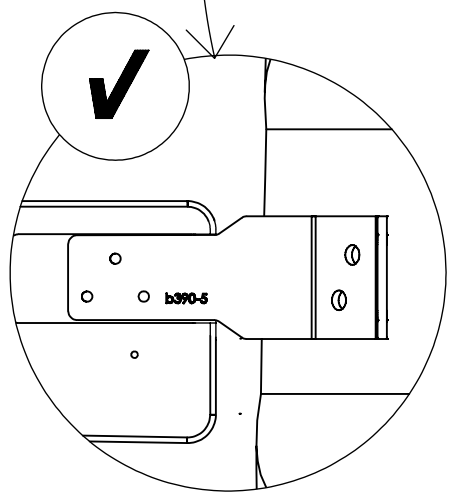
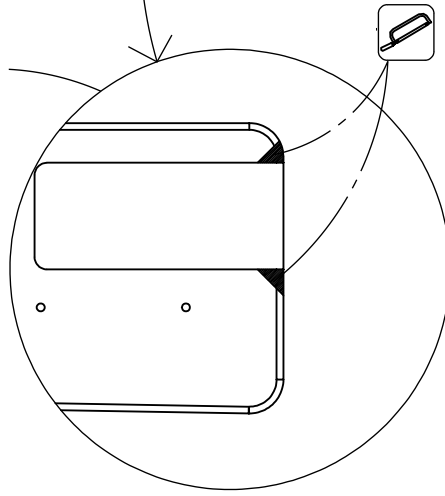
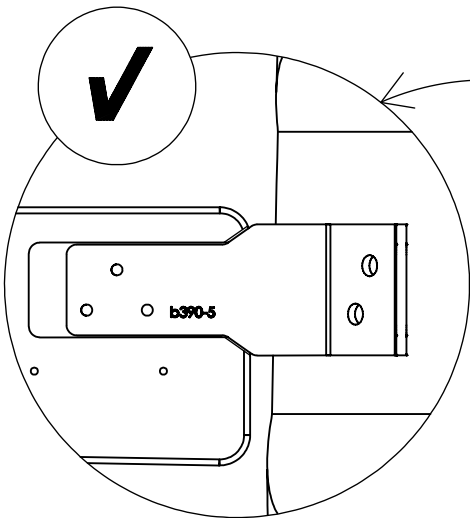
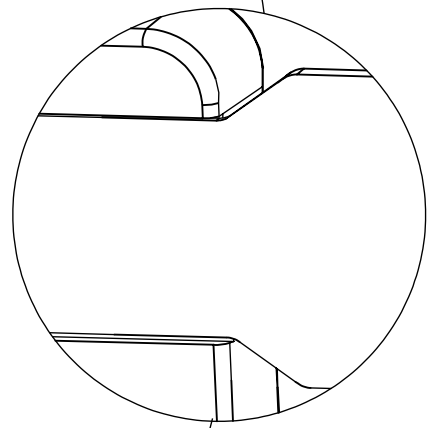
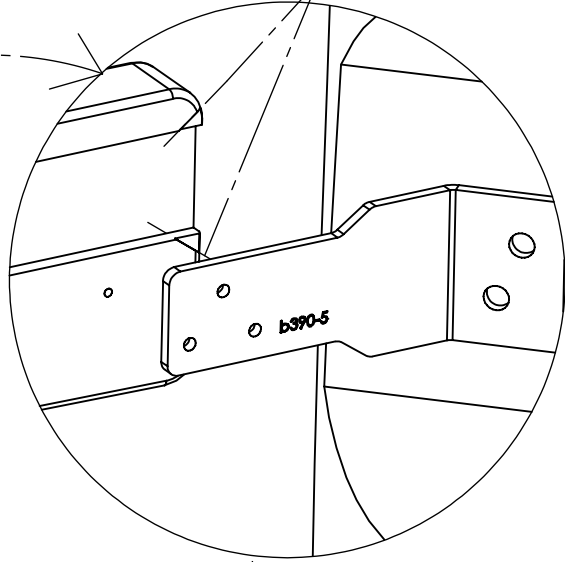
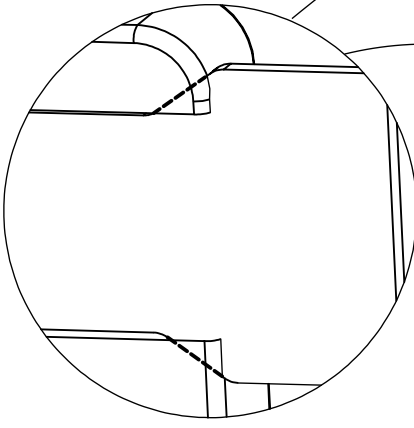
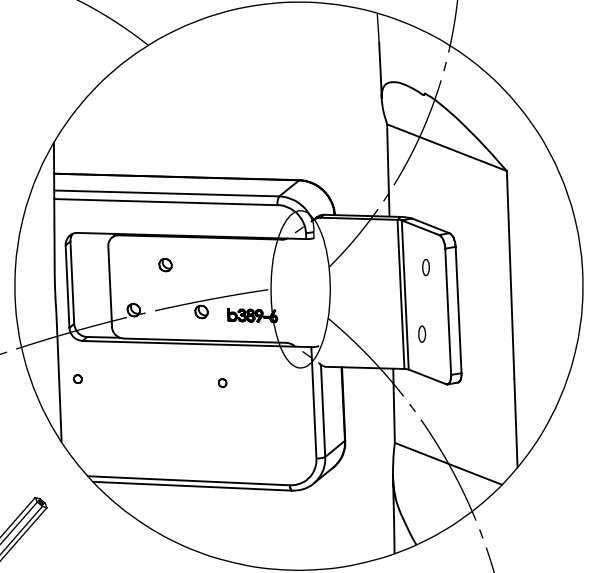
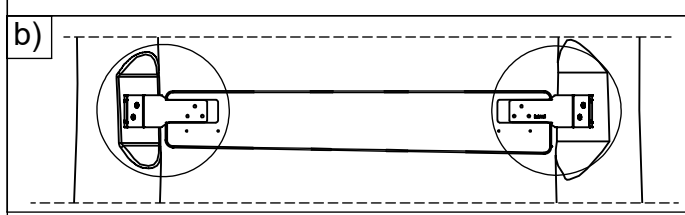
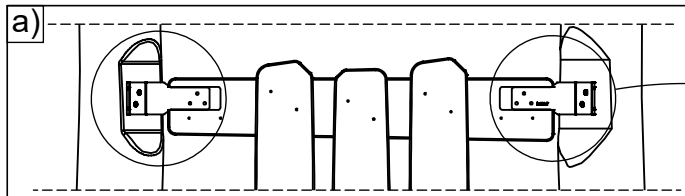
1x	12e003
1x	12e004
1x	12e015
1x	12e019
1x	12e030
3x	12e052
2x	b389
2x	b390
2x	b392
4x	b399
1x	b405
1x	GL
1x	V001





[cm]

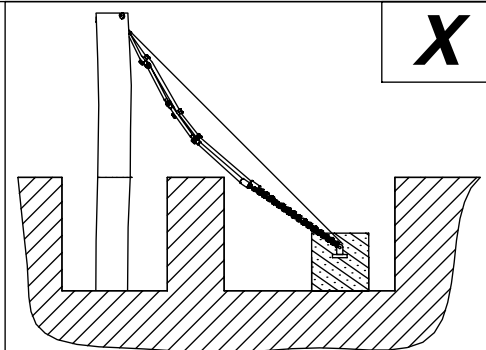
vinci play



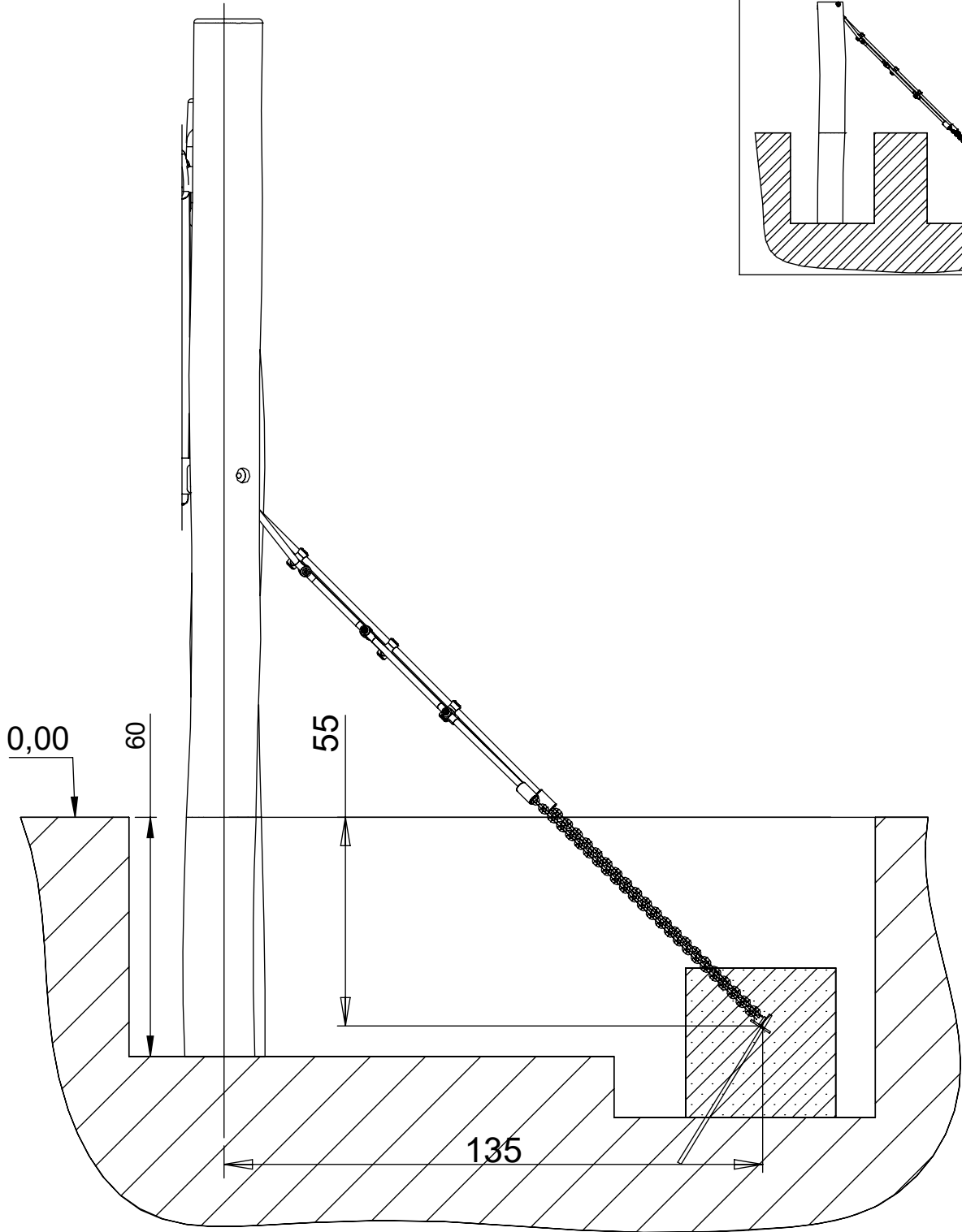
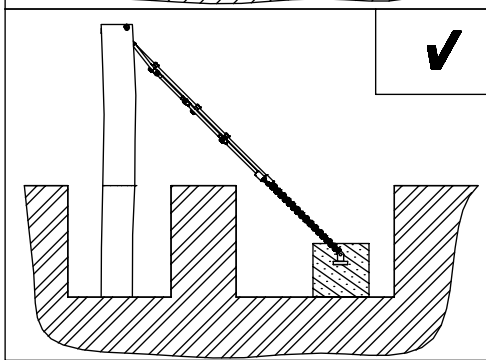
[cm]

vinci
play

X



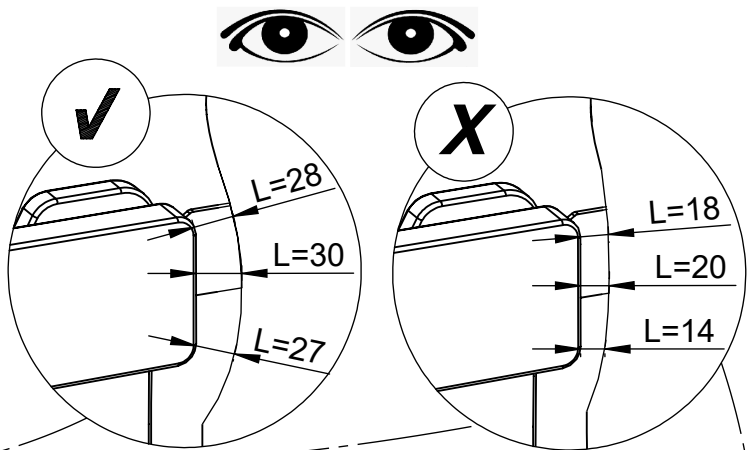
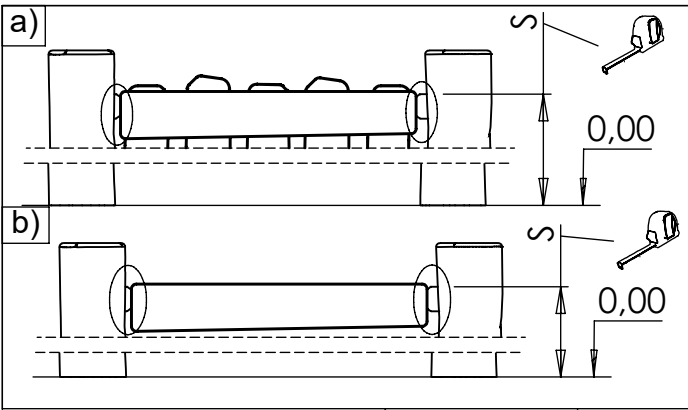
✓



[cm]



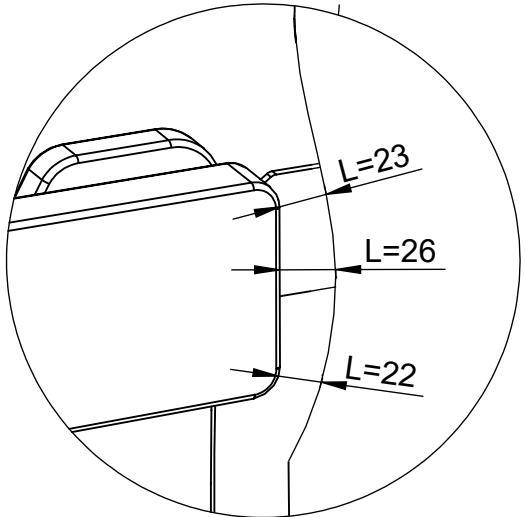
vinci
play



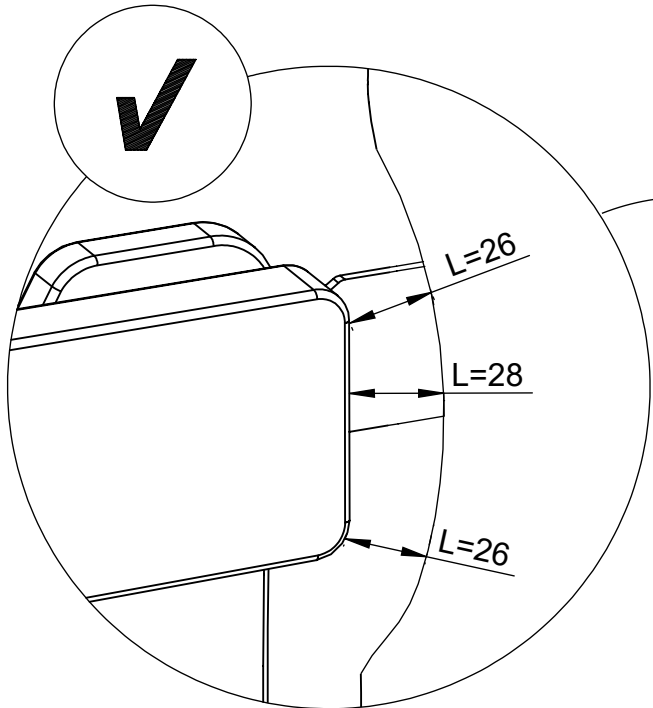
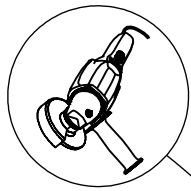
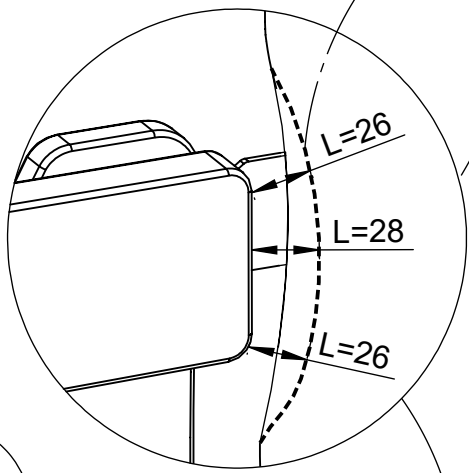
S < 97

S > 97

L > 25mm	✓	L ≤ 25mm	X
----------	---	----------	---



L > 25mm	✓
L ≤ 25mm	✓

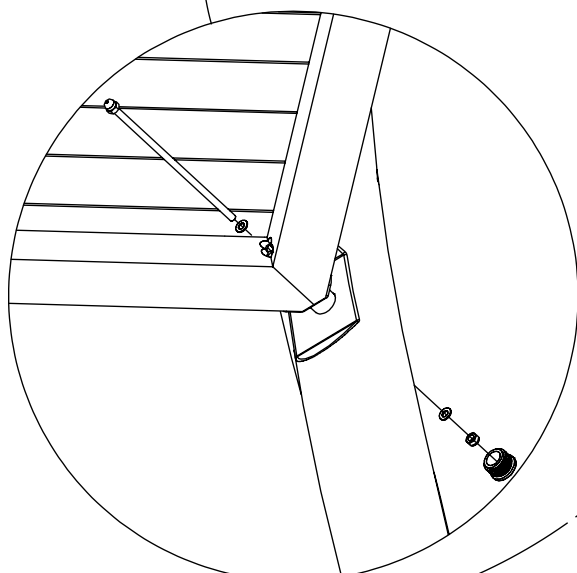
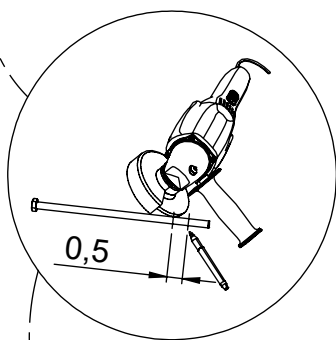
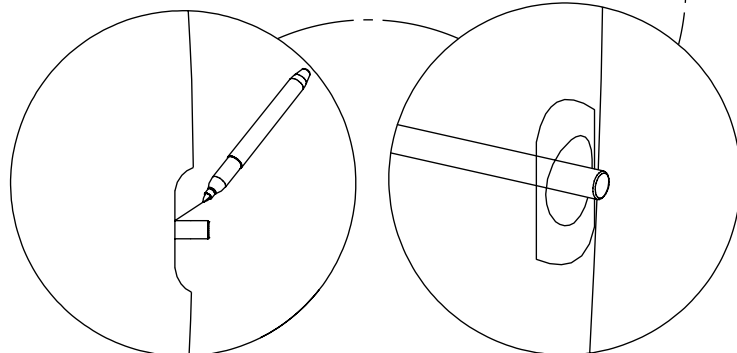
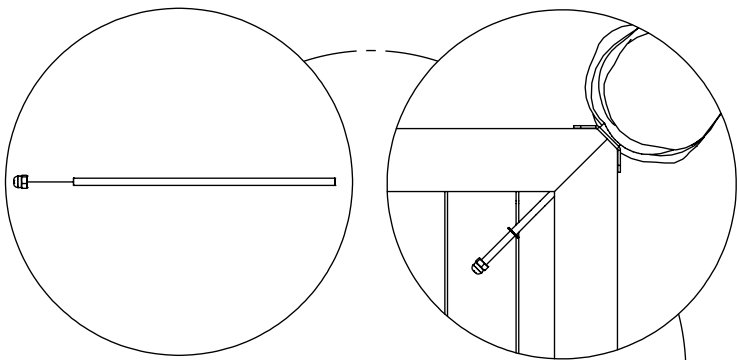


L > 25mm	✓
----------	---



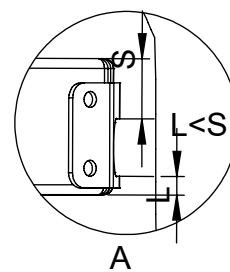
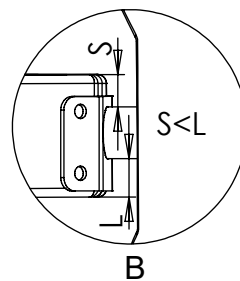
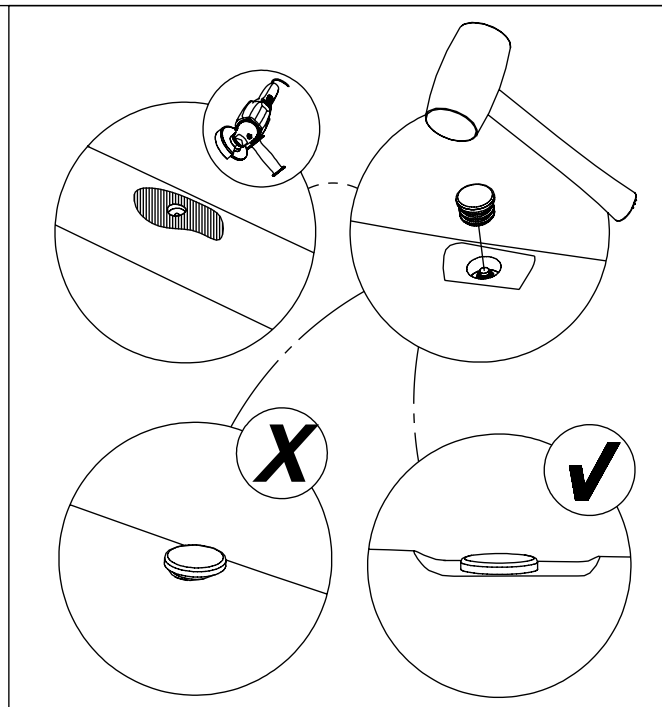
[cm]

vinci play



1x 12e003

1x 12e004



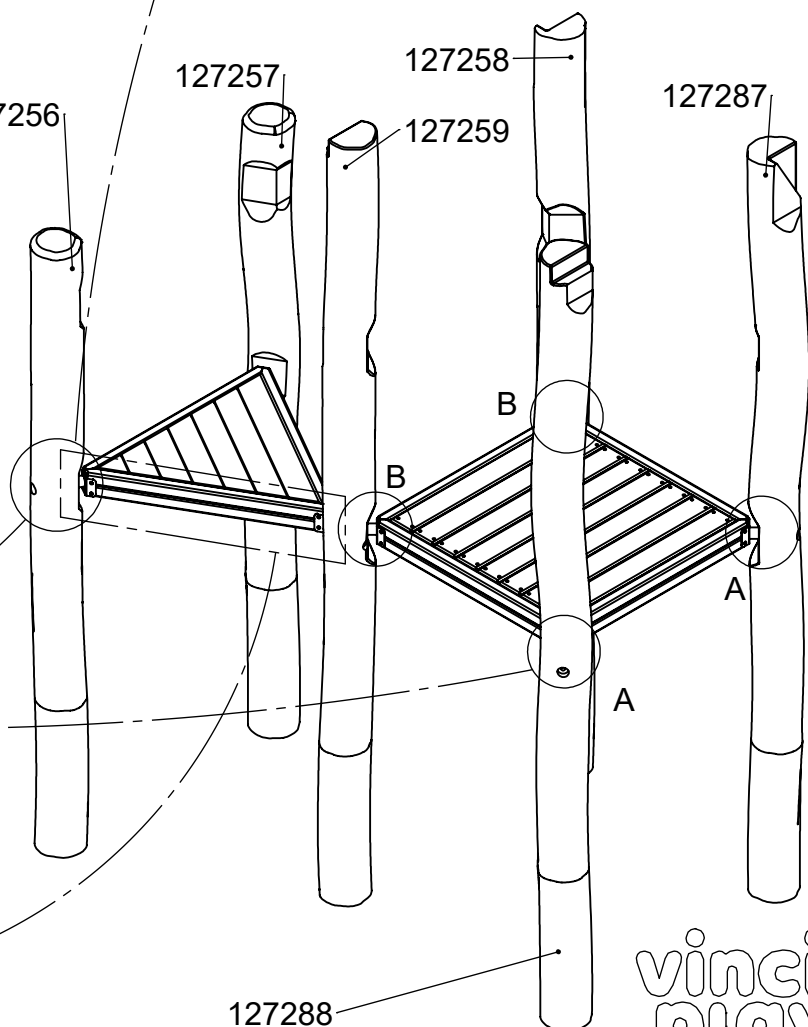
127256

127257

127258

127259

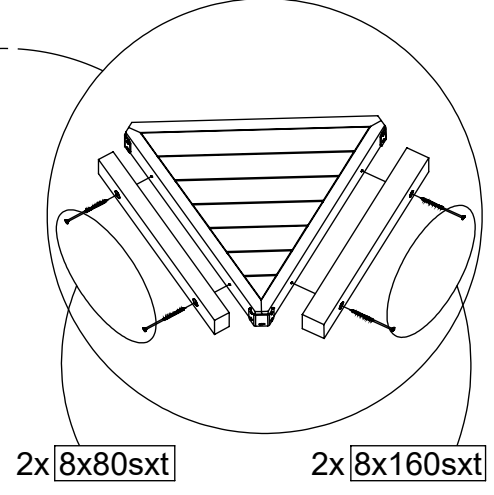
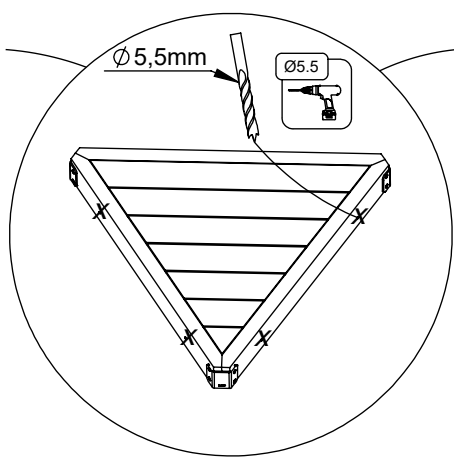
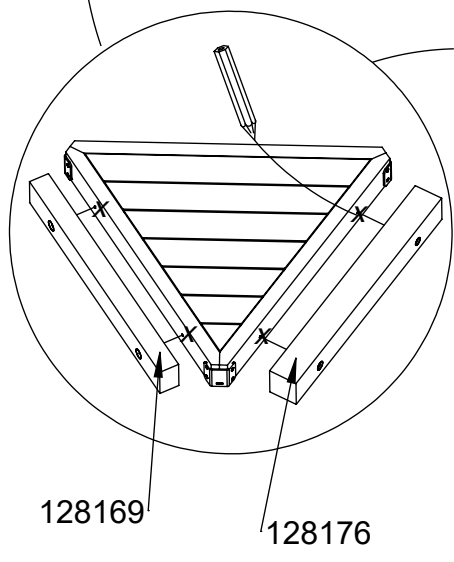
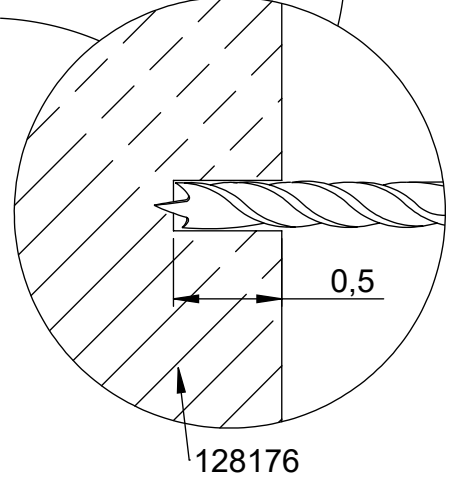
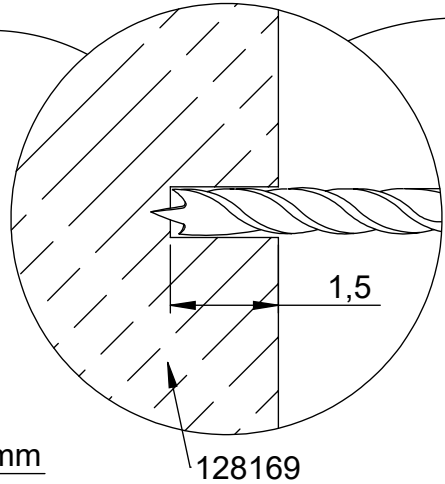
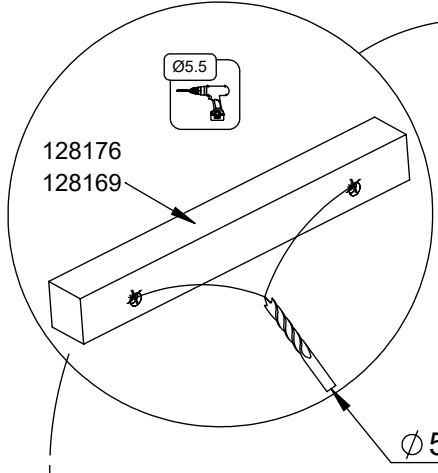
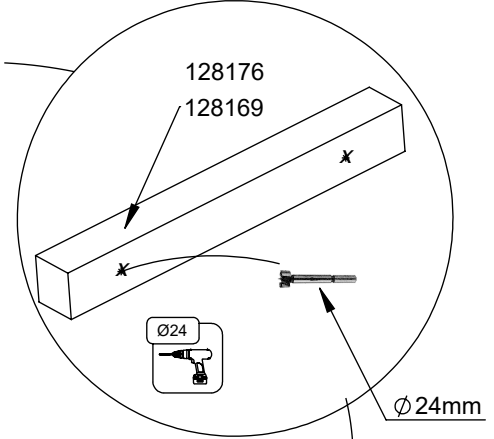
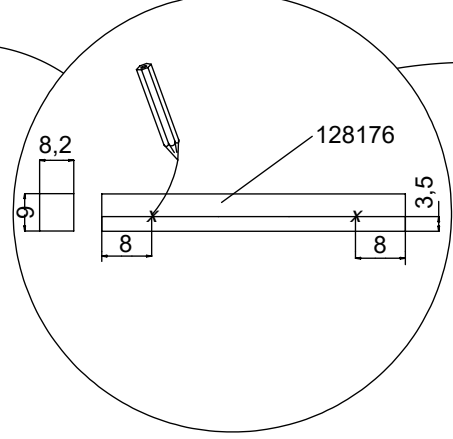
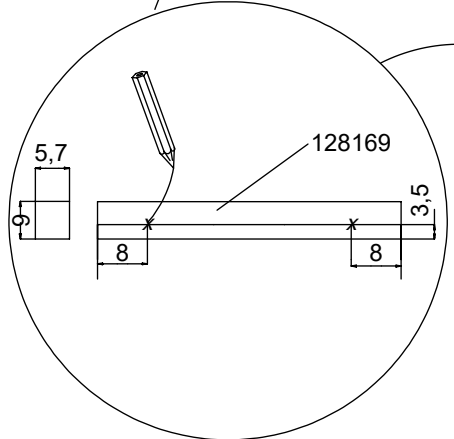
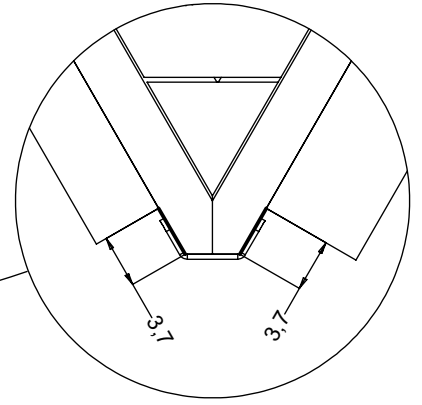
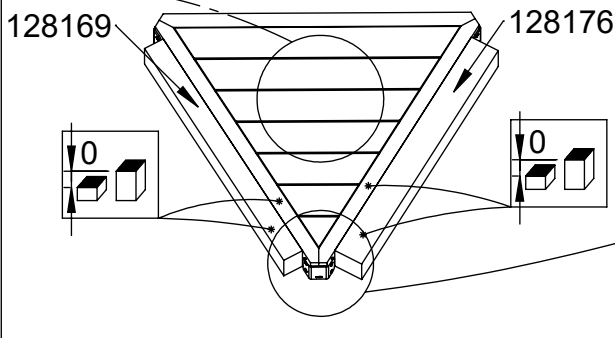
127287



[cm]

127288

vinci
play



[cm]

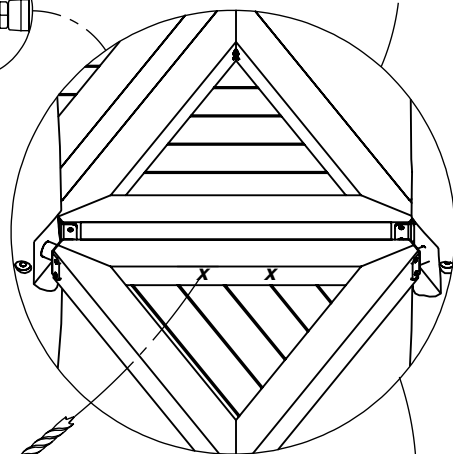
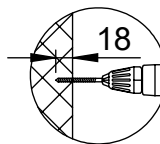
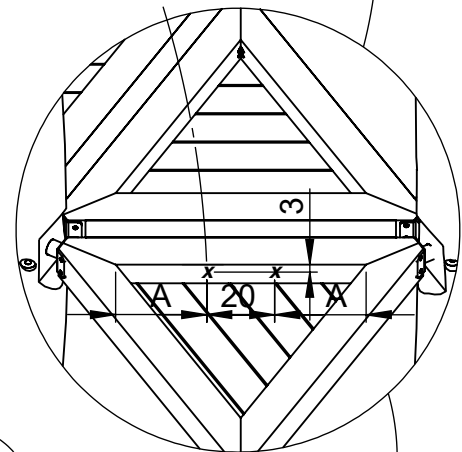
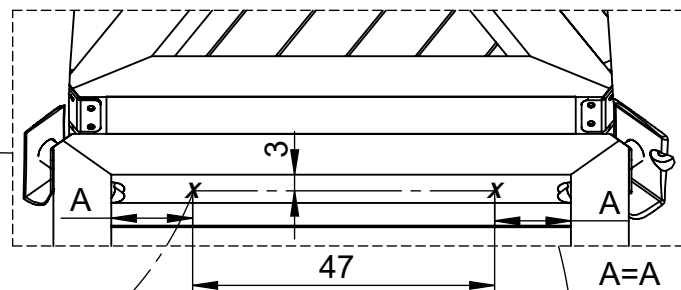
vinci play

127259

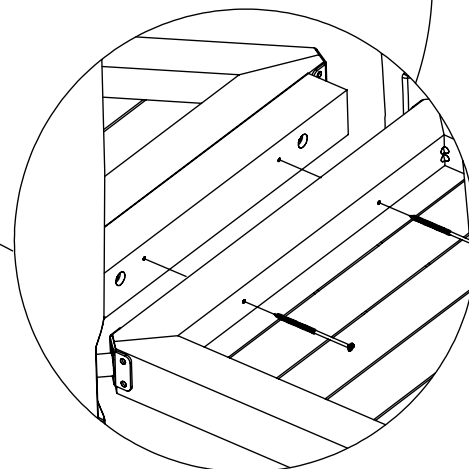
124100

124108

124108



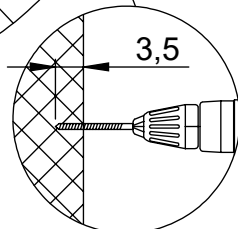
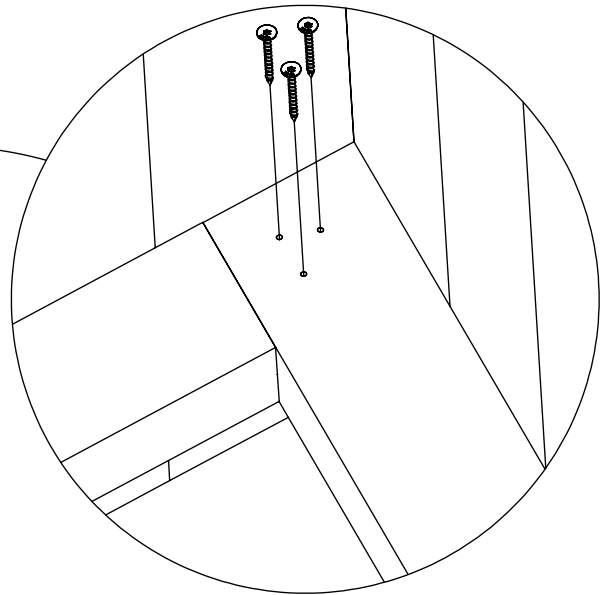
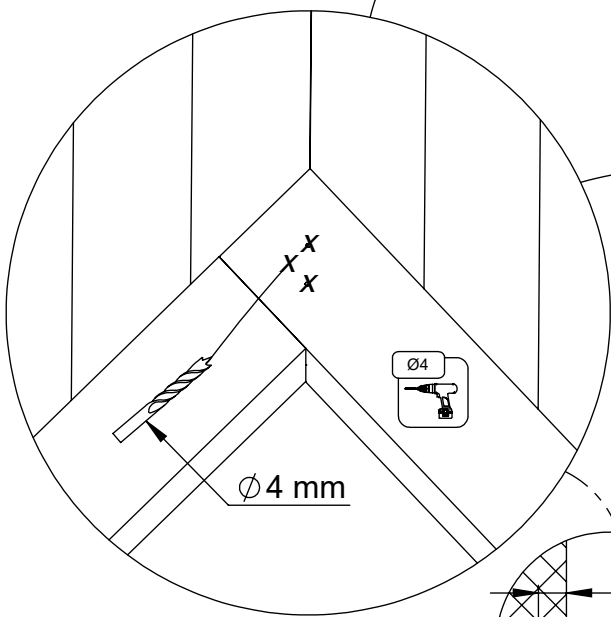
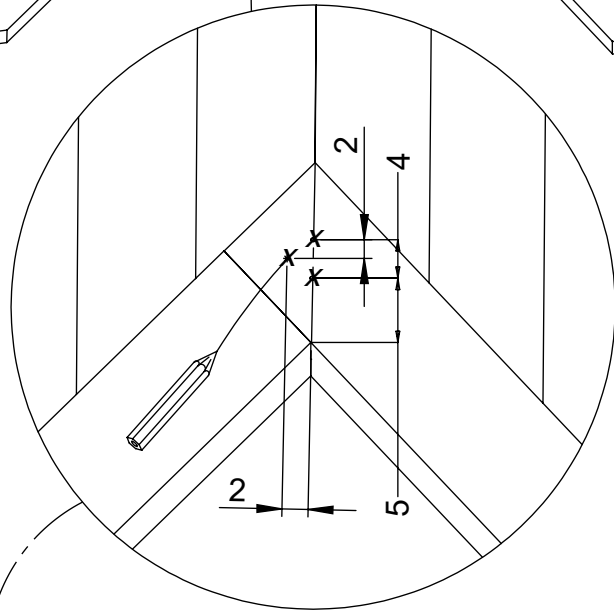
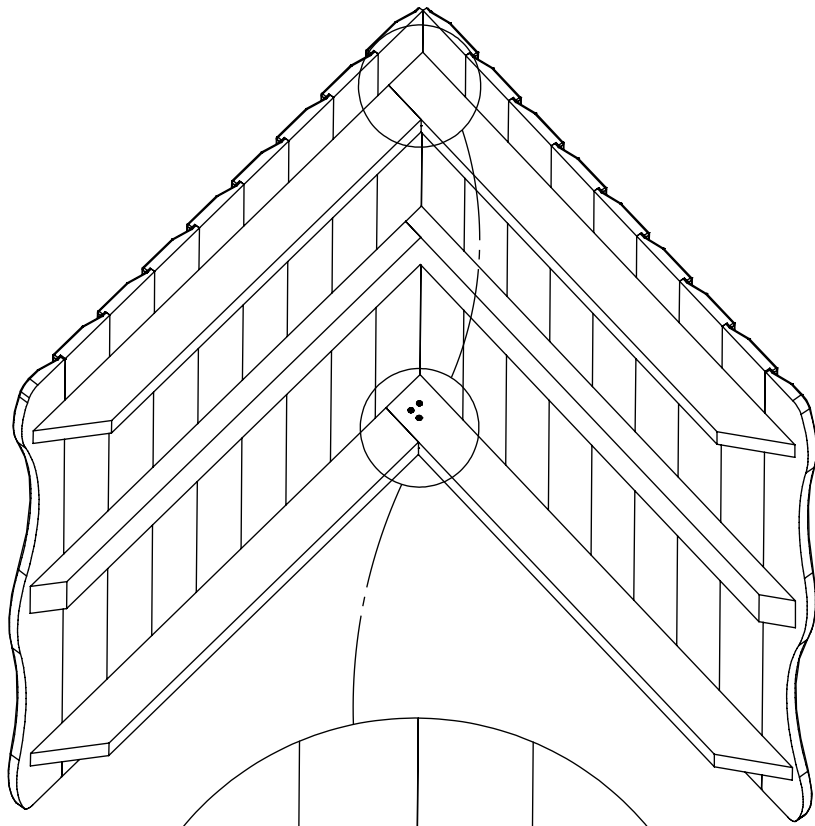
Ø5,5mm



4x 8x160sxt

vinci play

[cm]

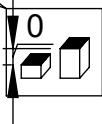
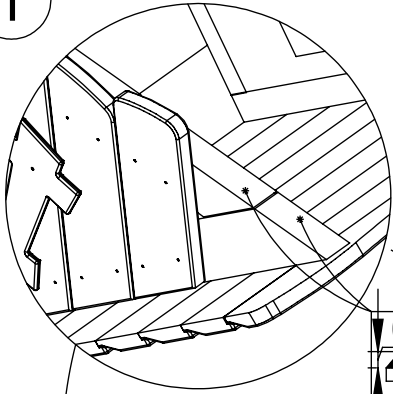


6x 7x35 sxi

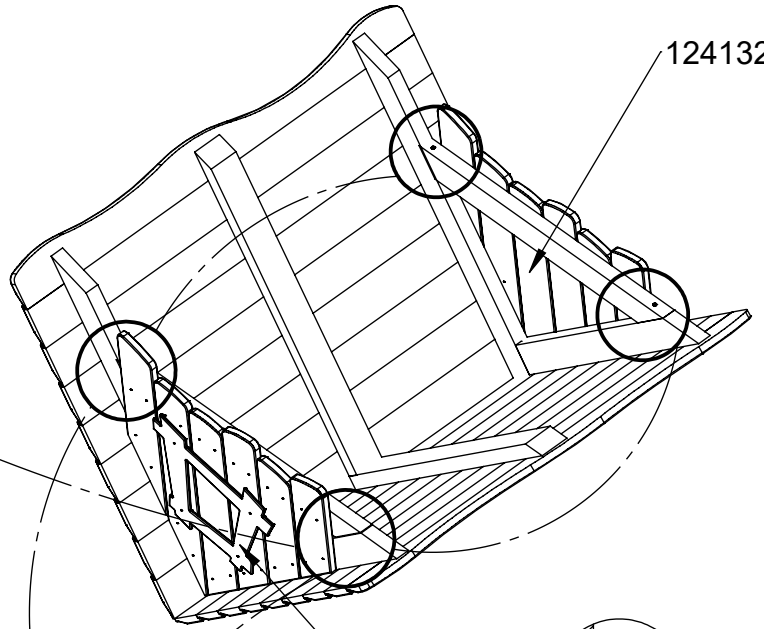
[cm]

vinci
play

1

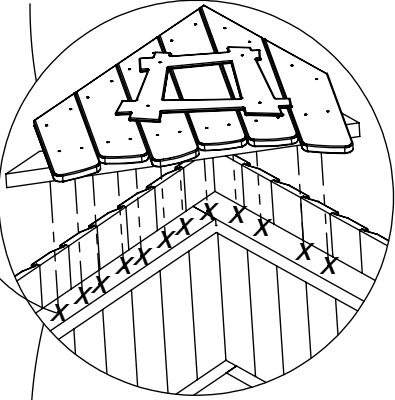
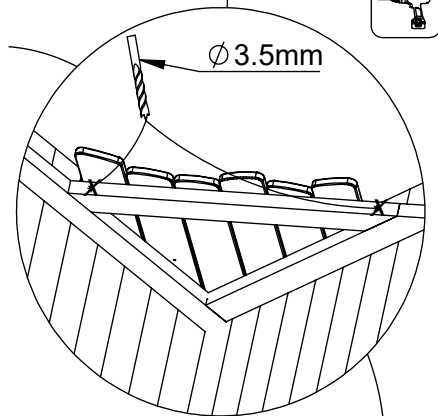
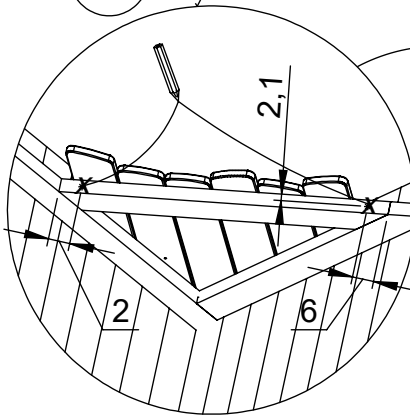
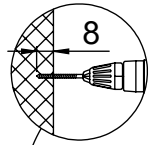


124132

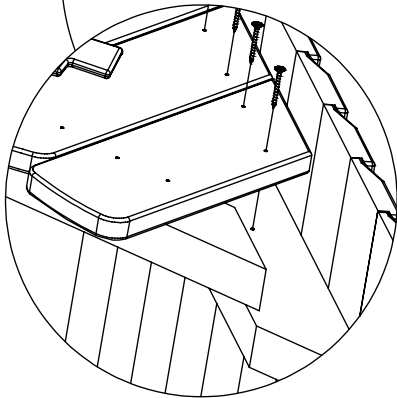
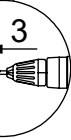
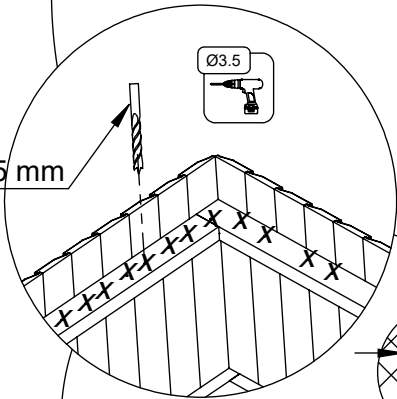


124135

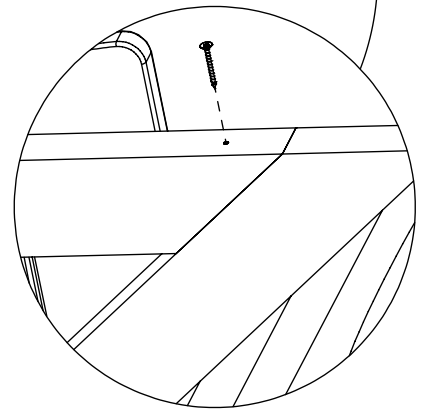
2



Ø3.5 mm



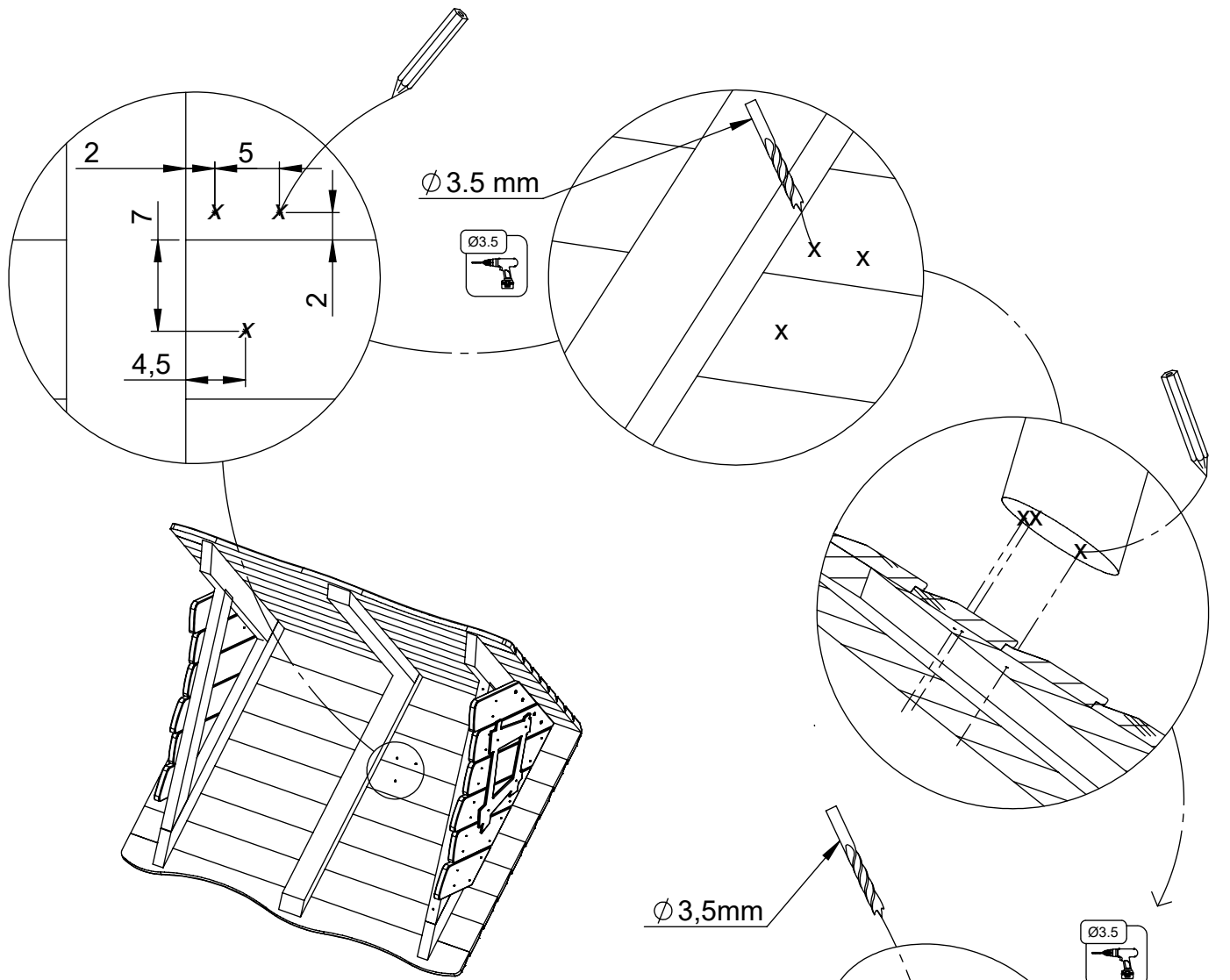
24x 5x50sxs



4x 5x80sxs

[cm]

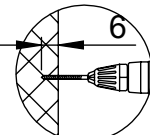
vinci play



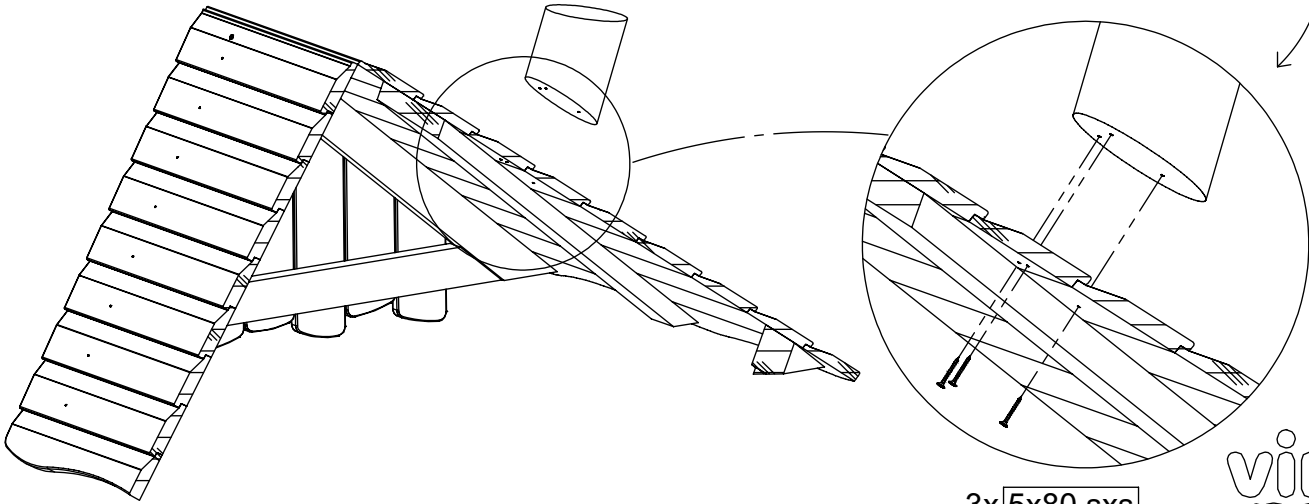
Ø 3.5 mm



Ø 3,5mm



128172

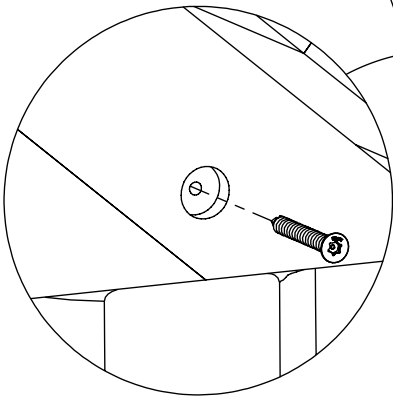
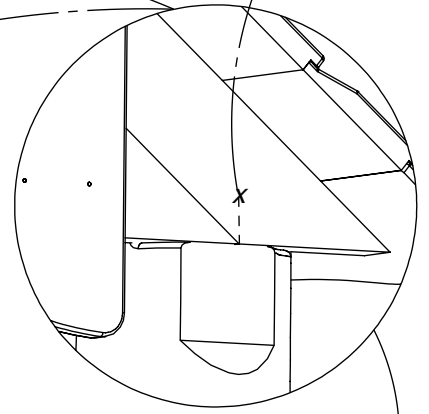
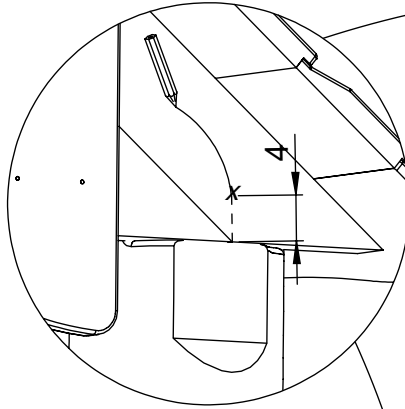
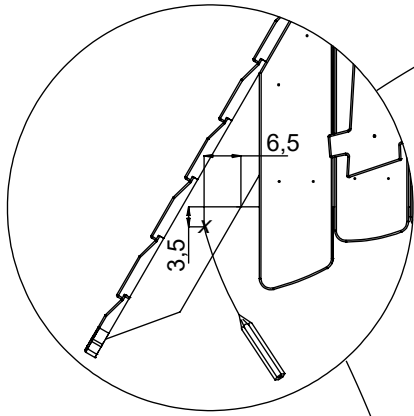


3x 5x80 sxs

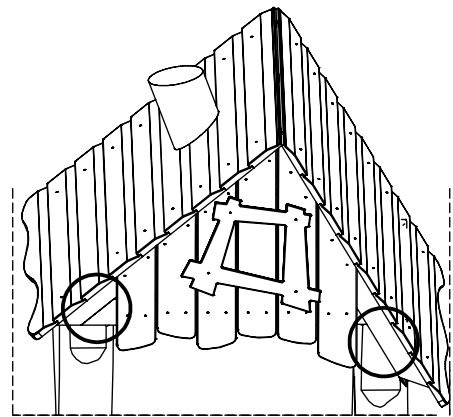
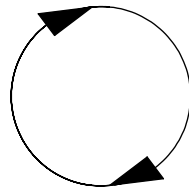
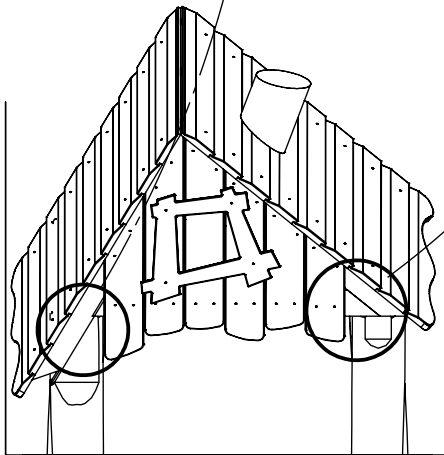
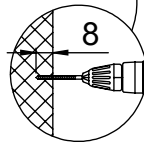
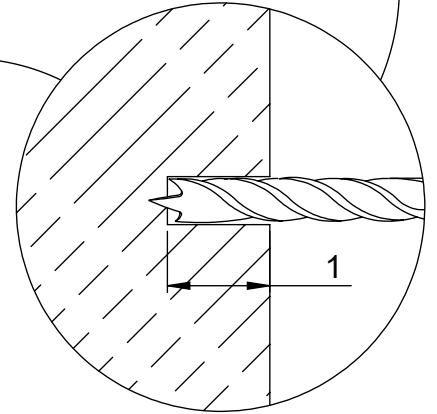
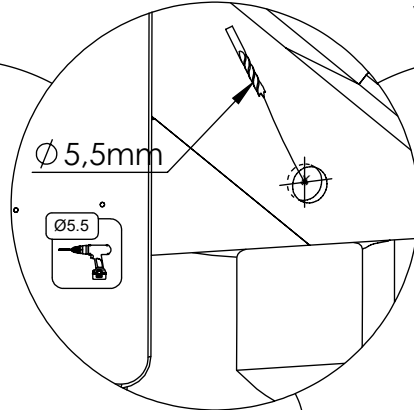
vinci play

[cm]

Ø 24 mm

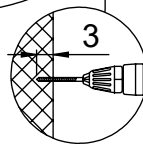
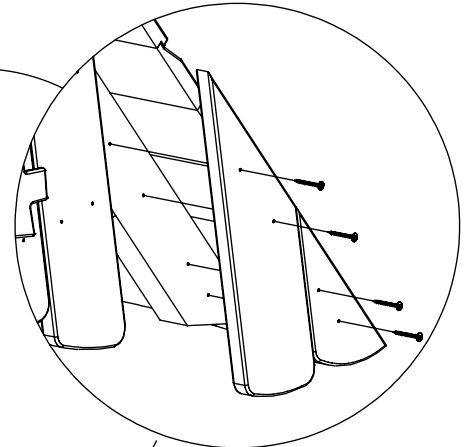
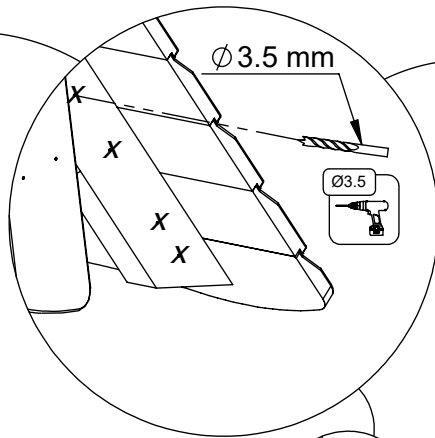
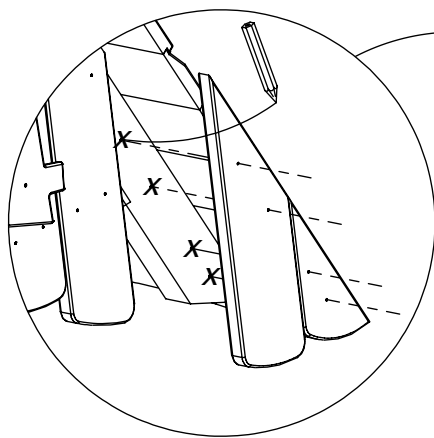


4x 8x80sxt

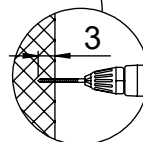
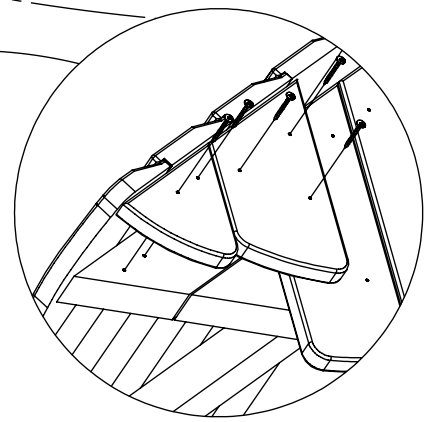
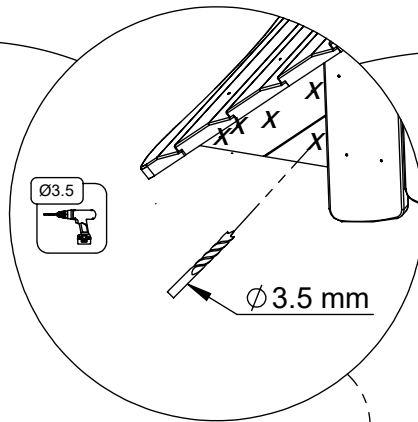
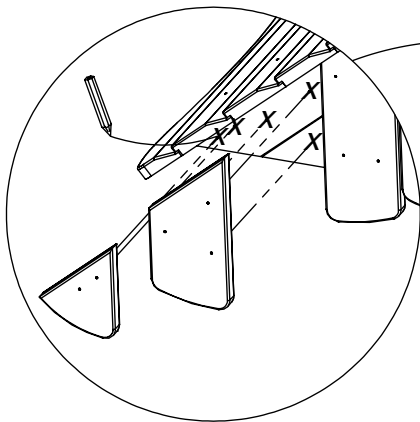
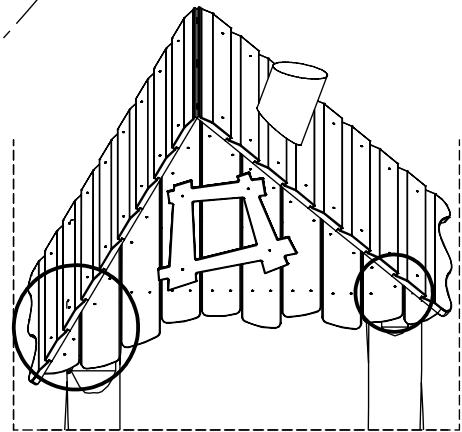
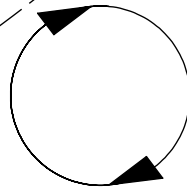
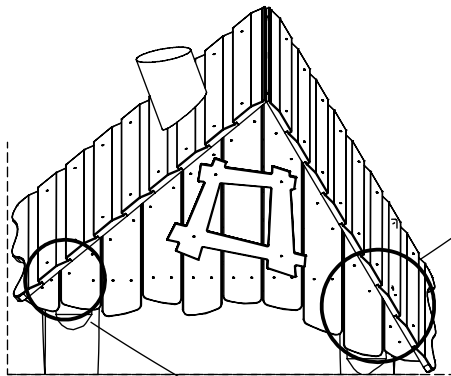


[cm]

vinci play



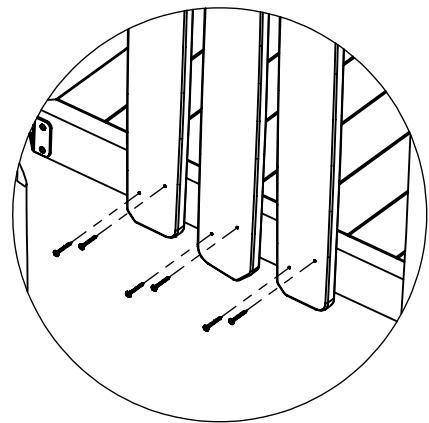
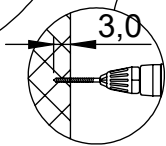
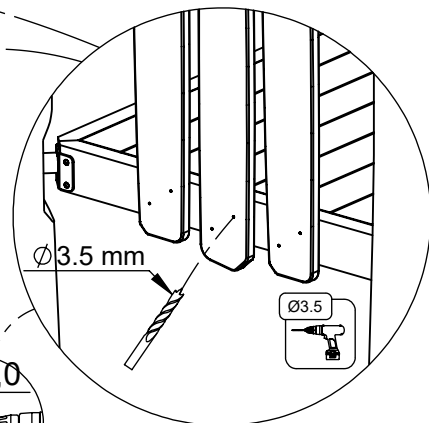
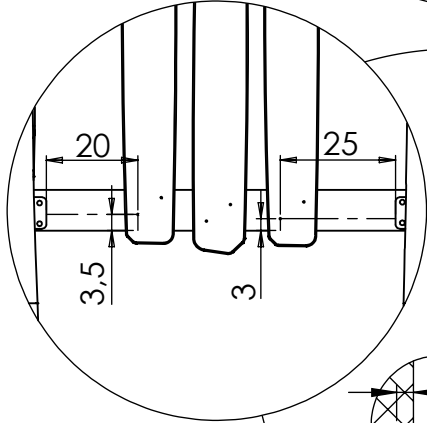
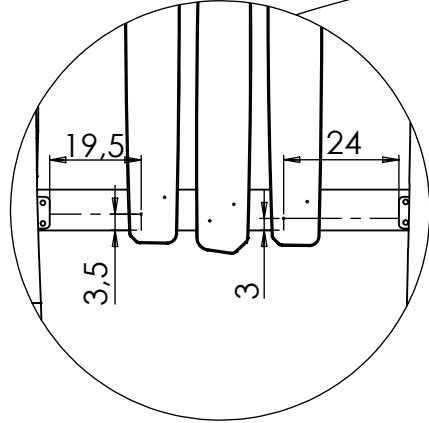
8x 5x50sxs



10x 5x50sxs

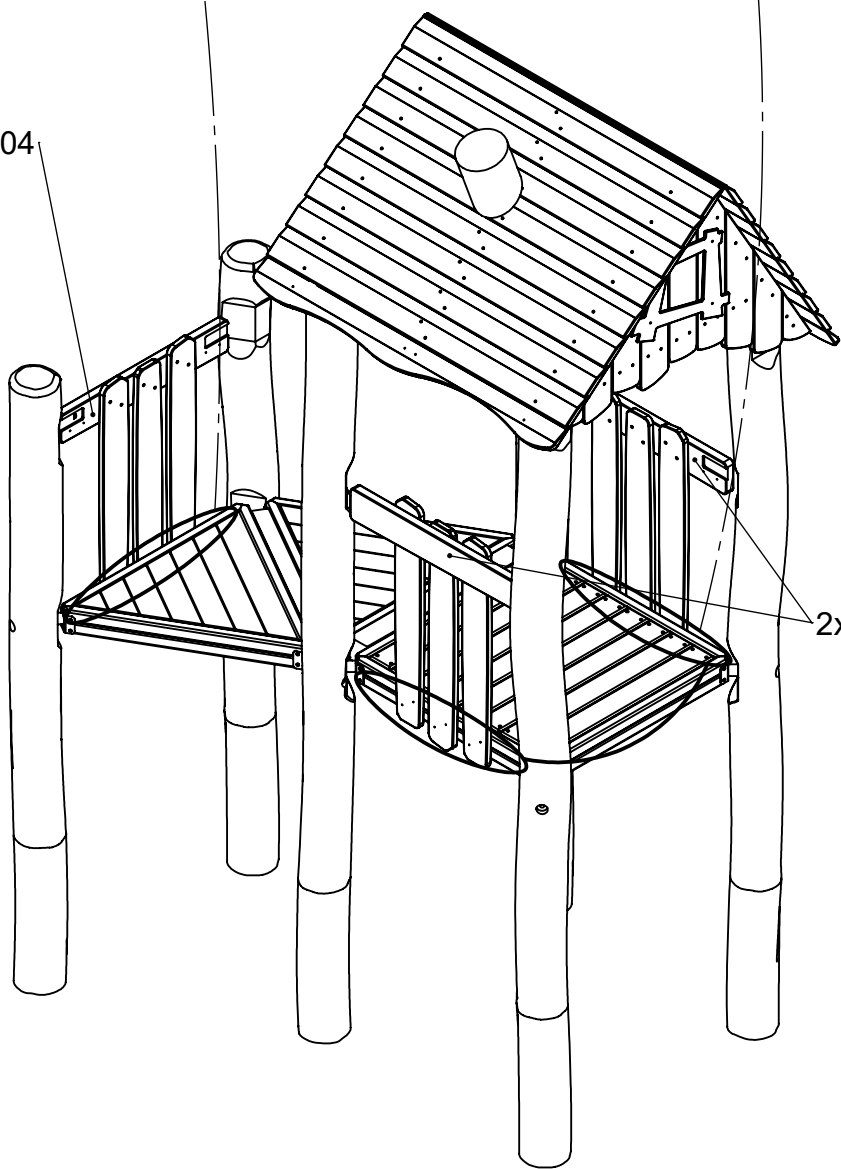
[cm]

vinci
play



18x 5x50sxs

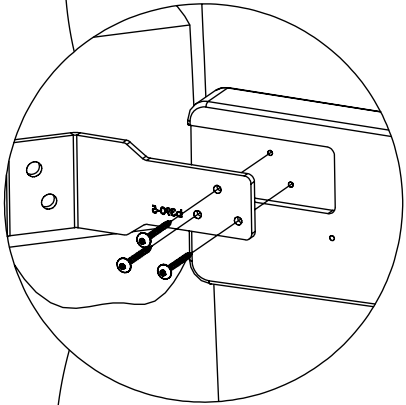
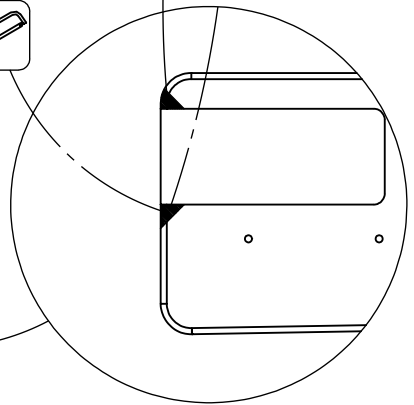
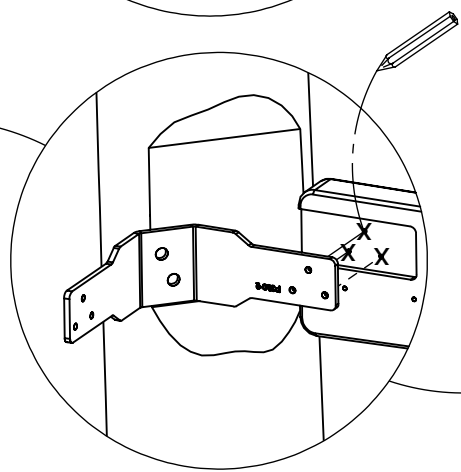
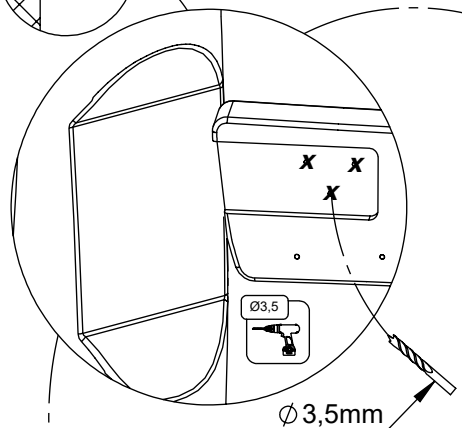
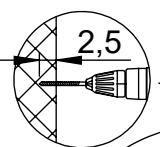
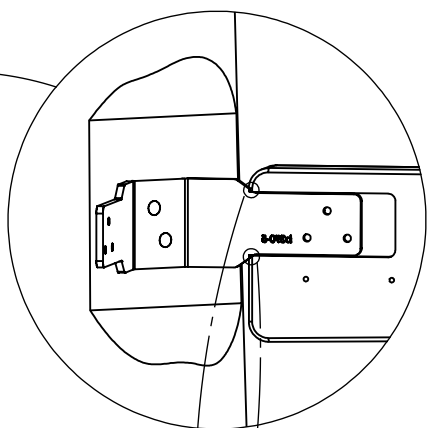
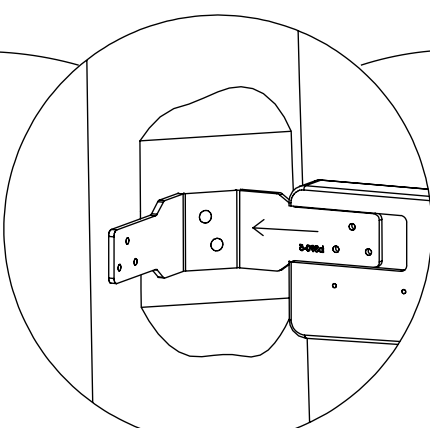
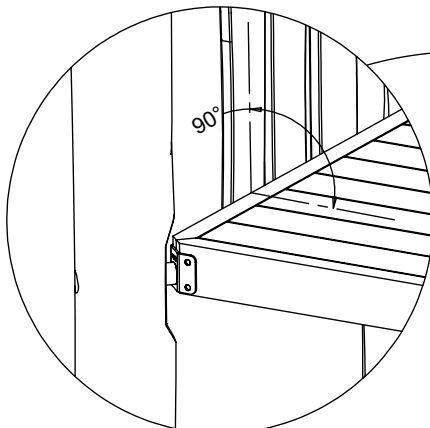
124104



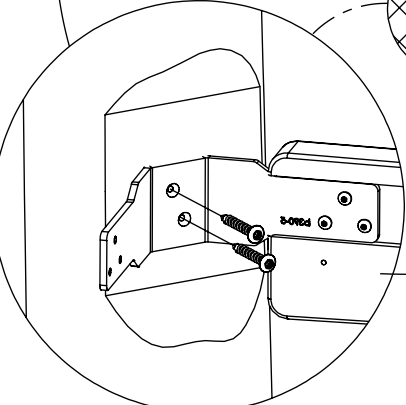
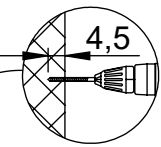
2x 124104

[cm]

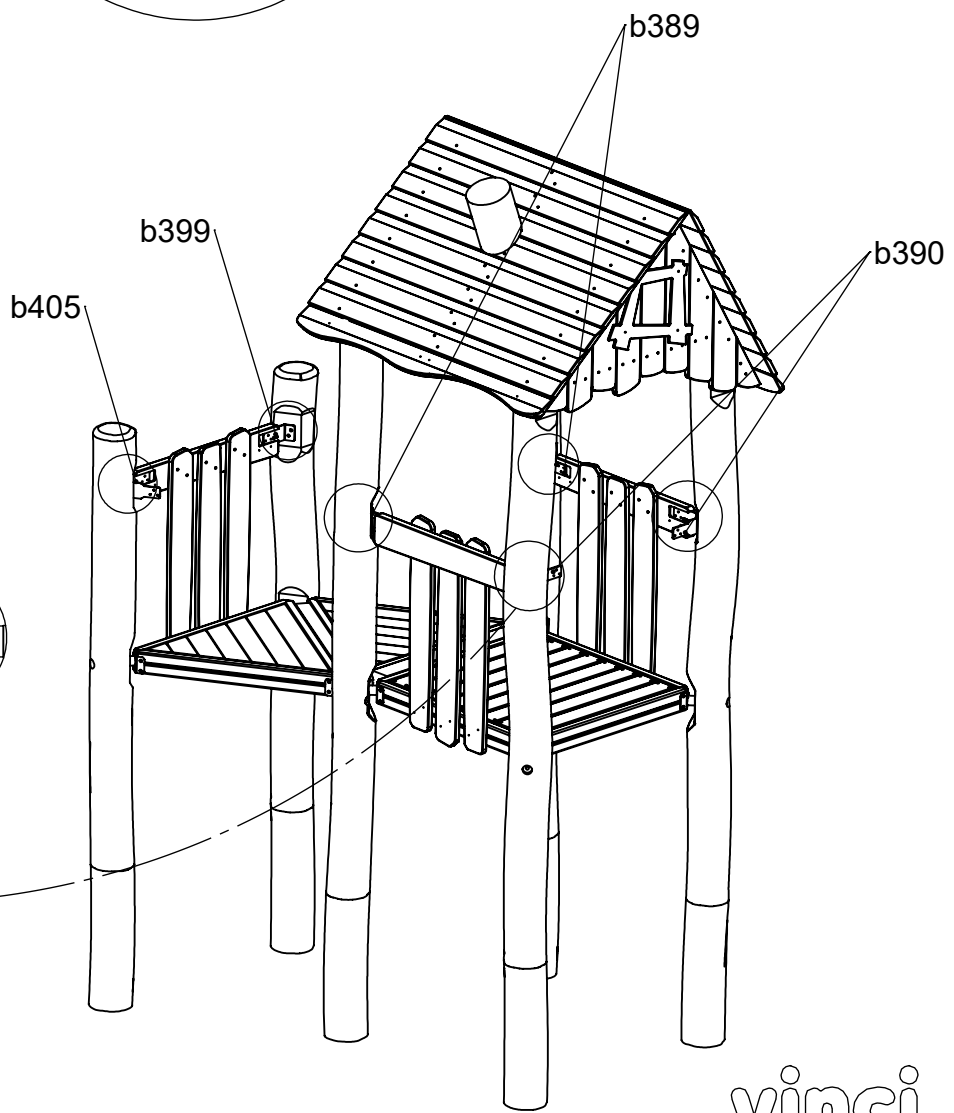
vinci
play



18x5x30sxs



12x8x50sxi



[cm]

vinci play

3x 128181

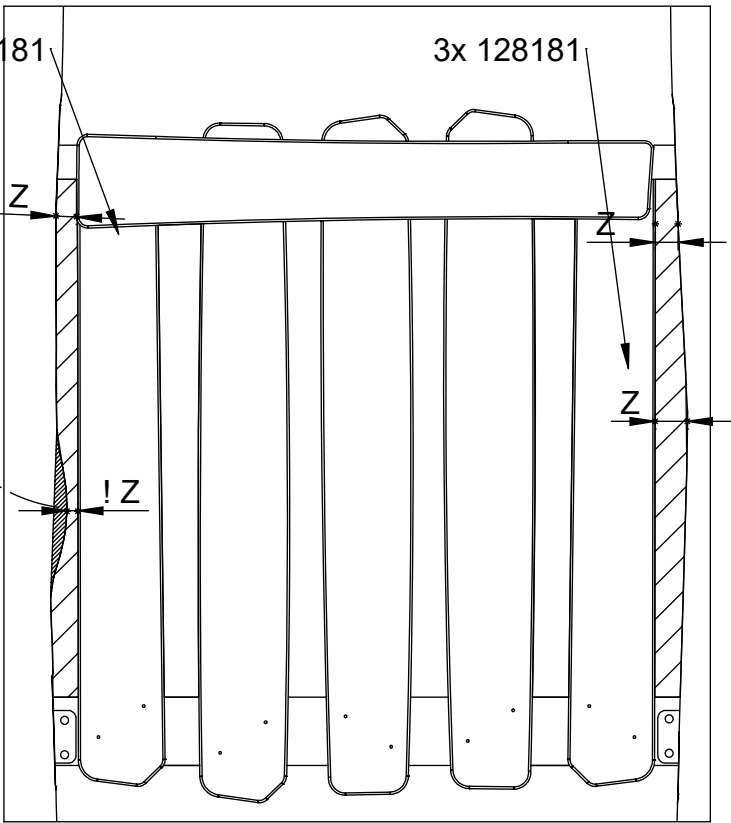
3x 128181

Z

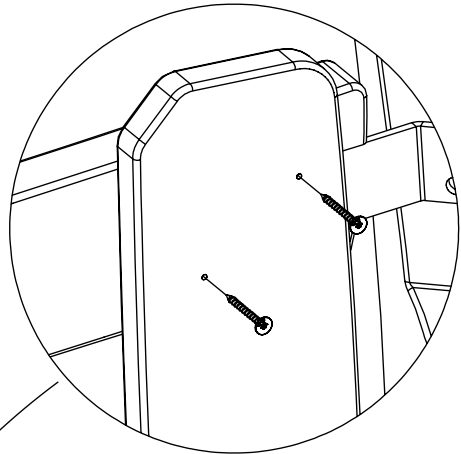
Z

Z

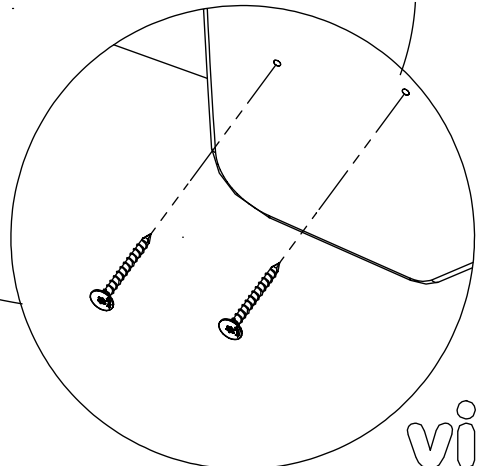
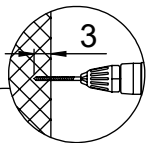
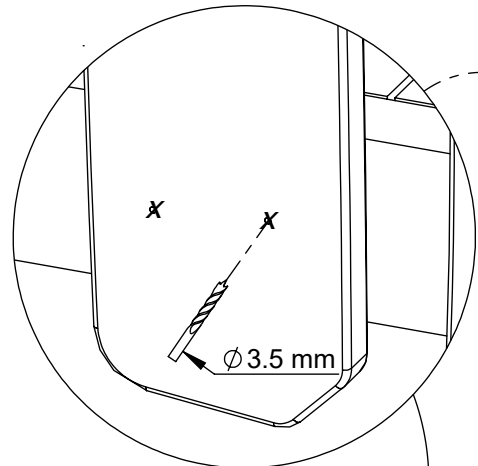
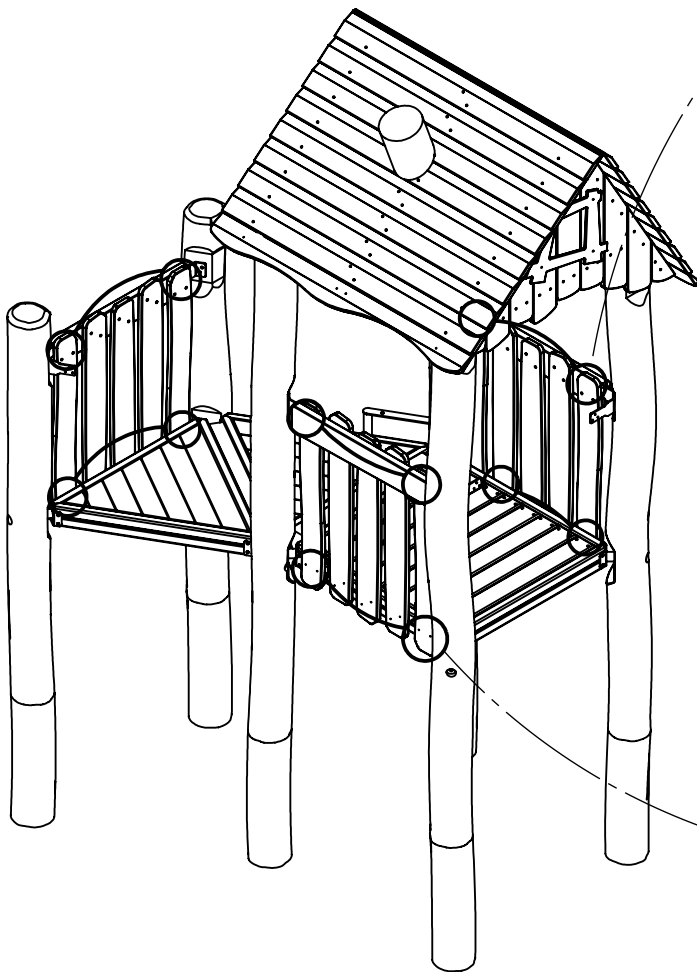
! Z



! 30mm < Z < 85mm



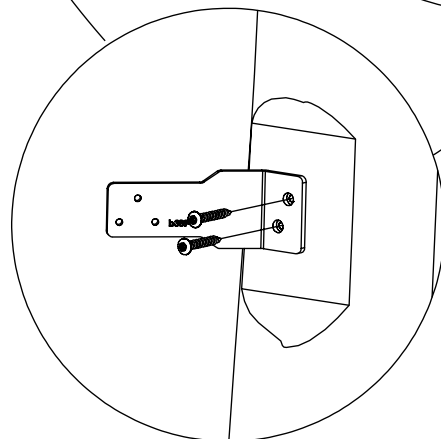
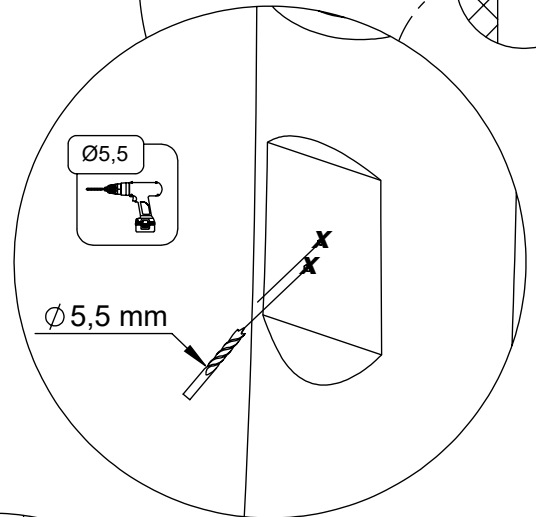
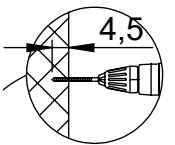
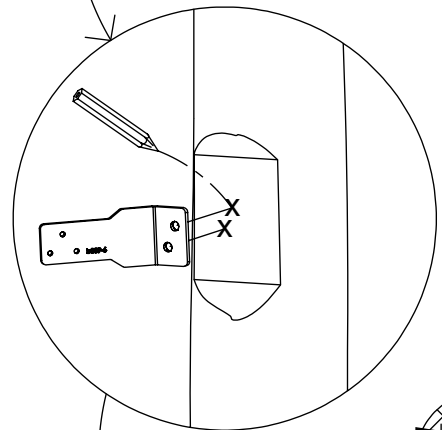
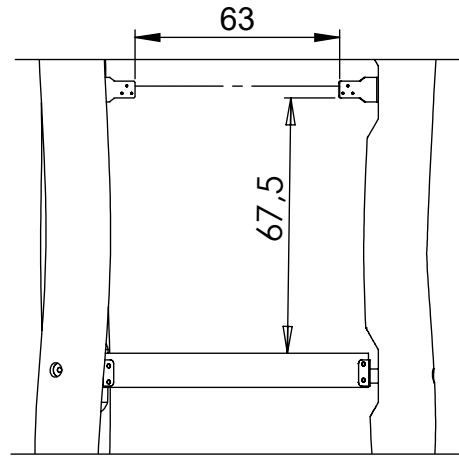
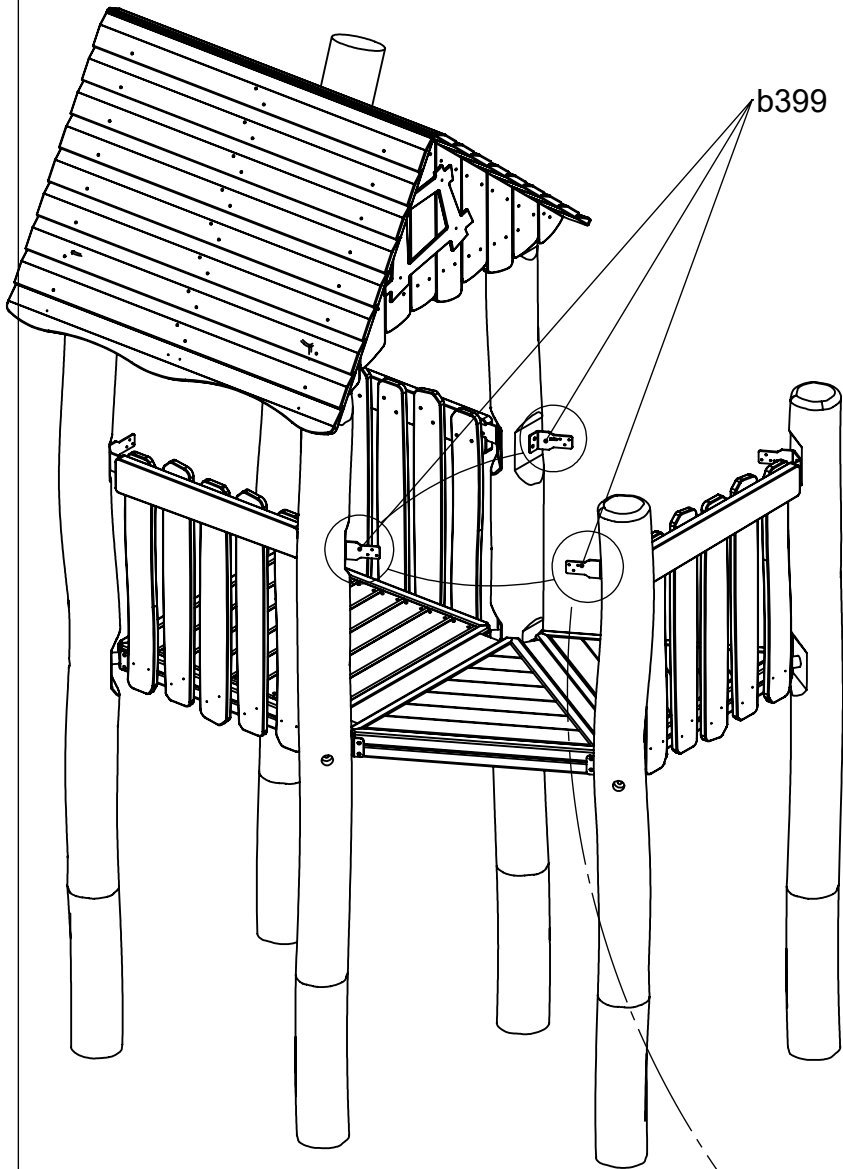
12x 5x50sxs



12x 5x50sxs

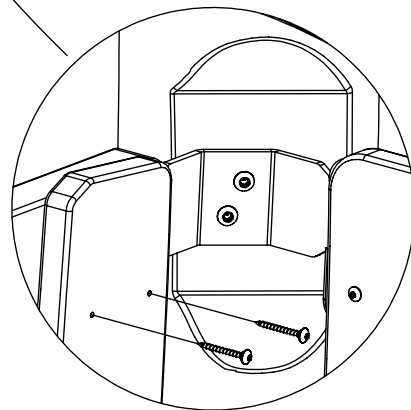
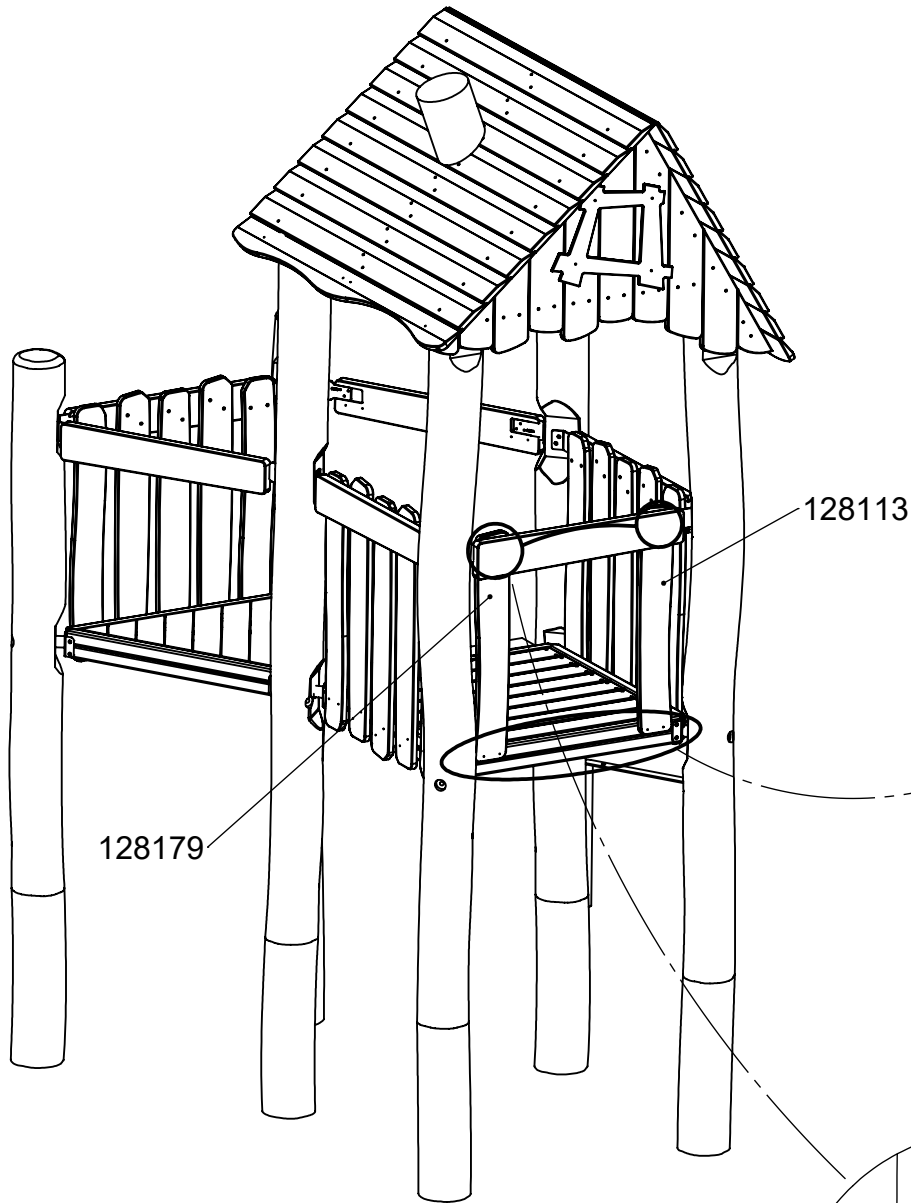
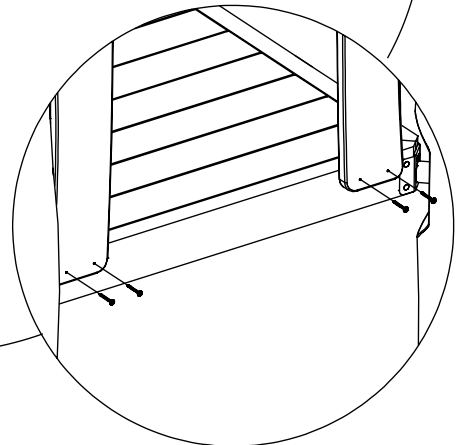
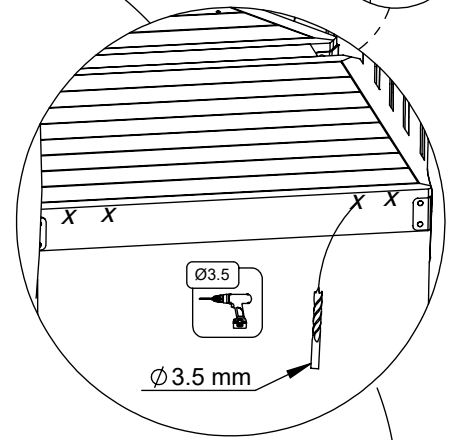
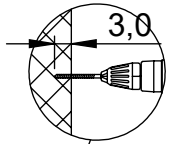
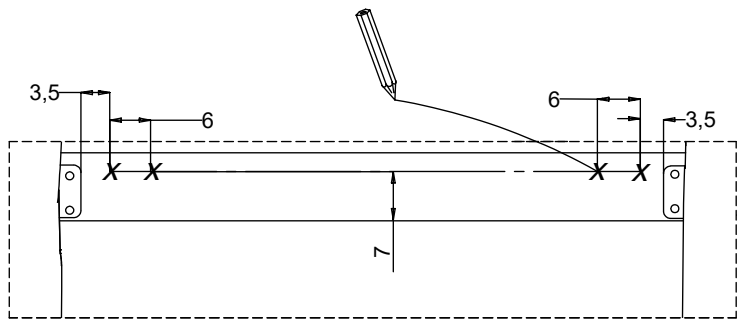
vinci play

[cm]



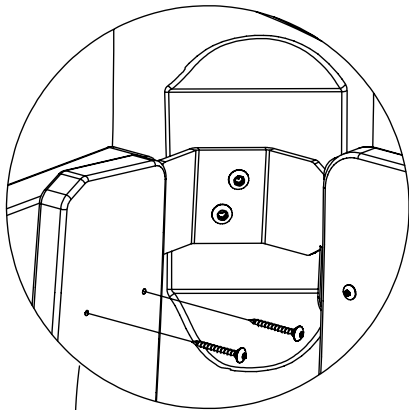
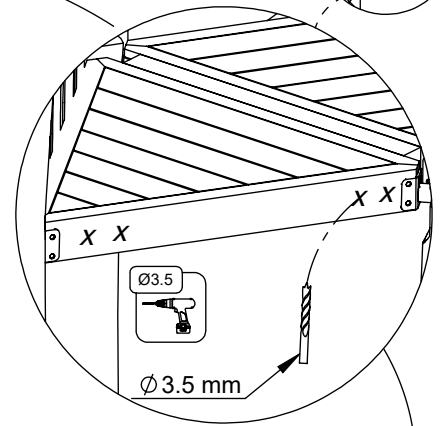
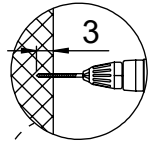
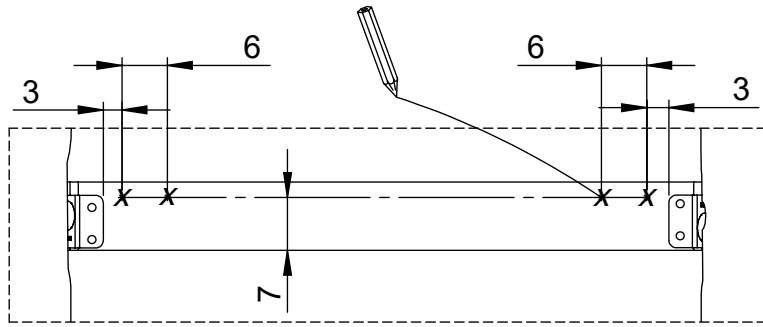
[cm]

vinci
play

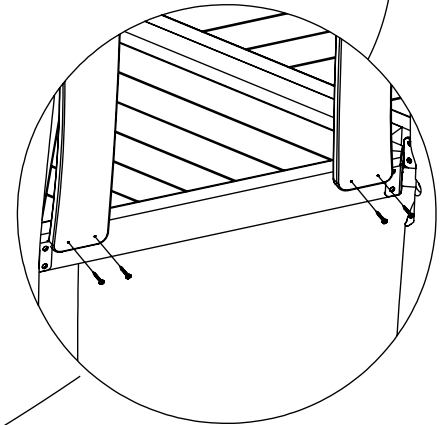


[cm]

vinci
play

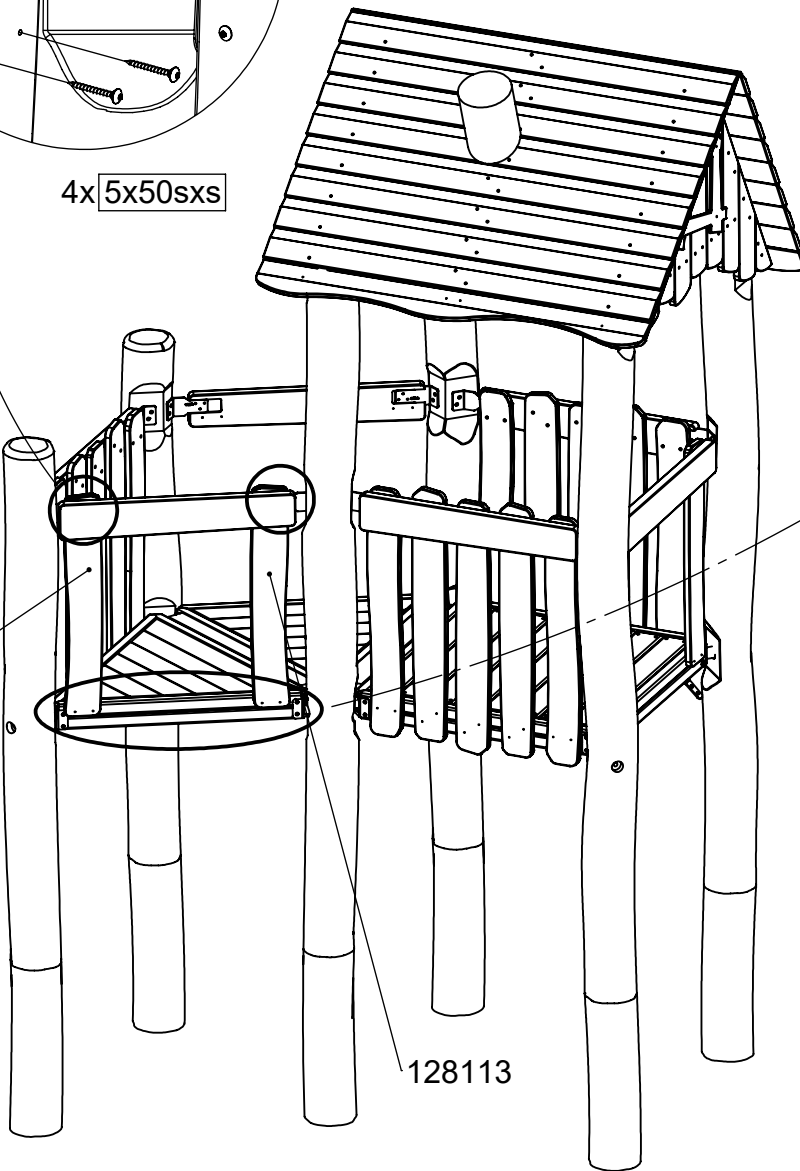


4x 5x50sxs



4x 5x50sxs

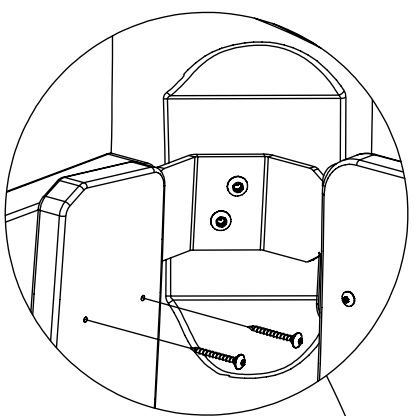
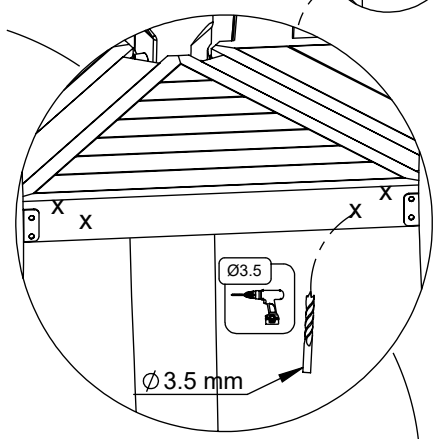
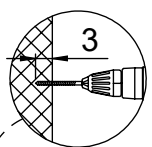
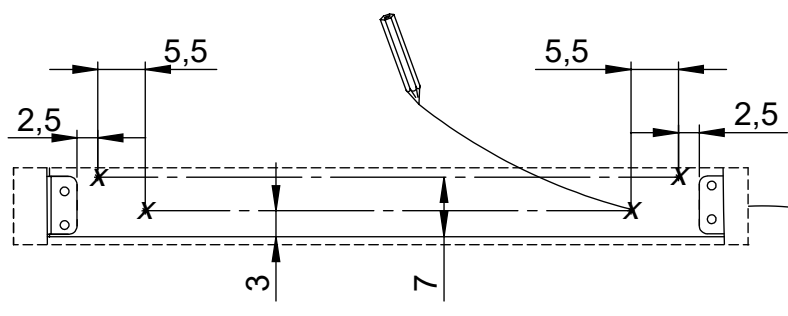
128179



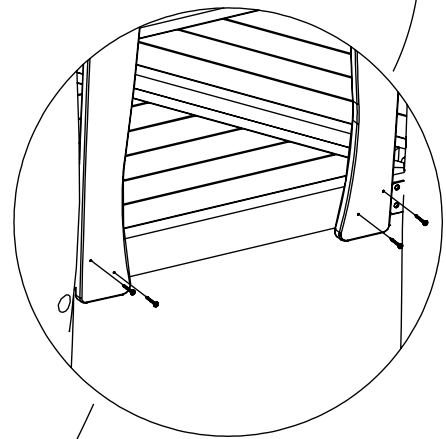
128113

[cm]

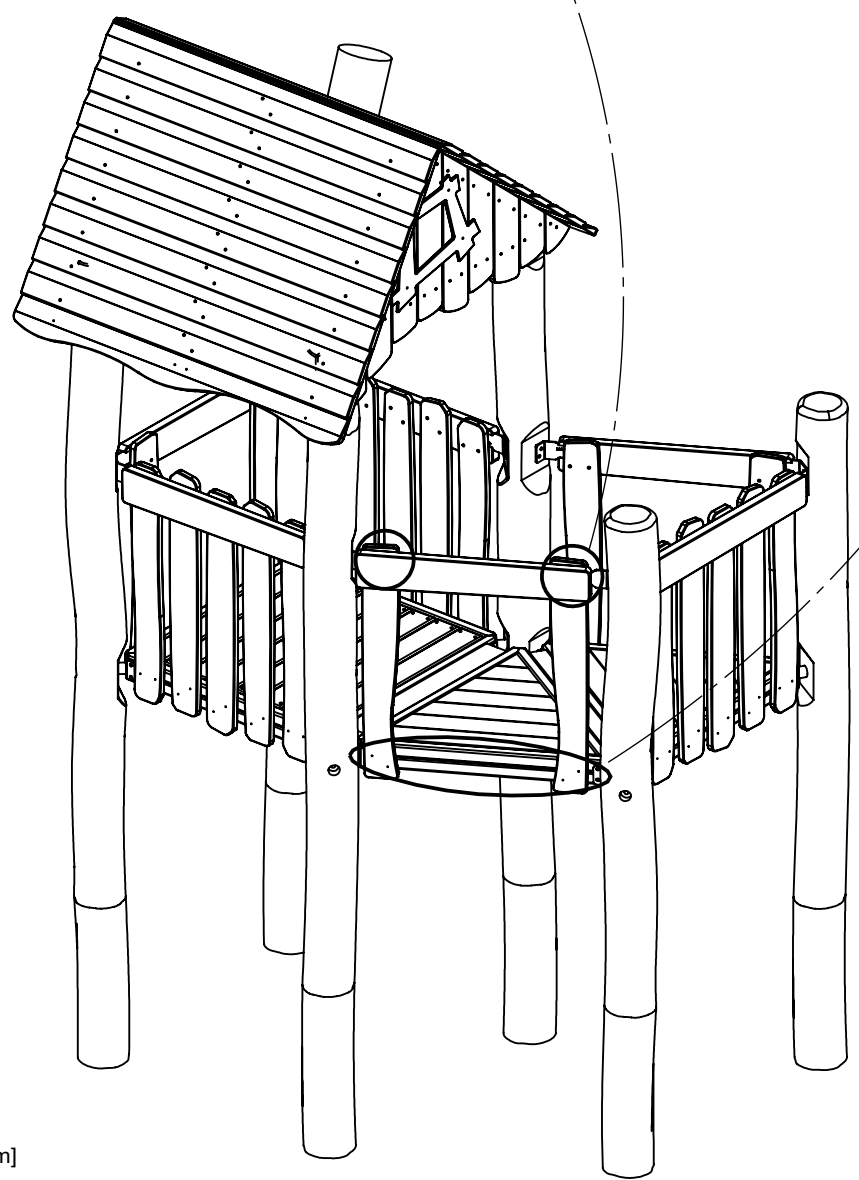
vinci
play



4x 5x50sxs

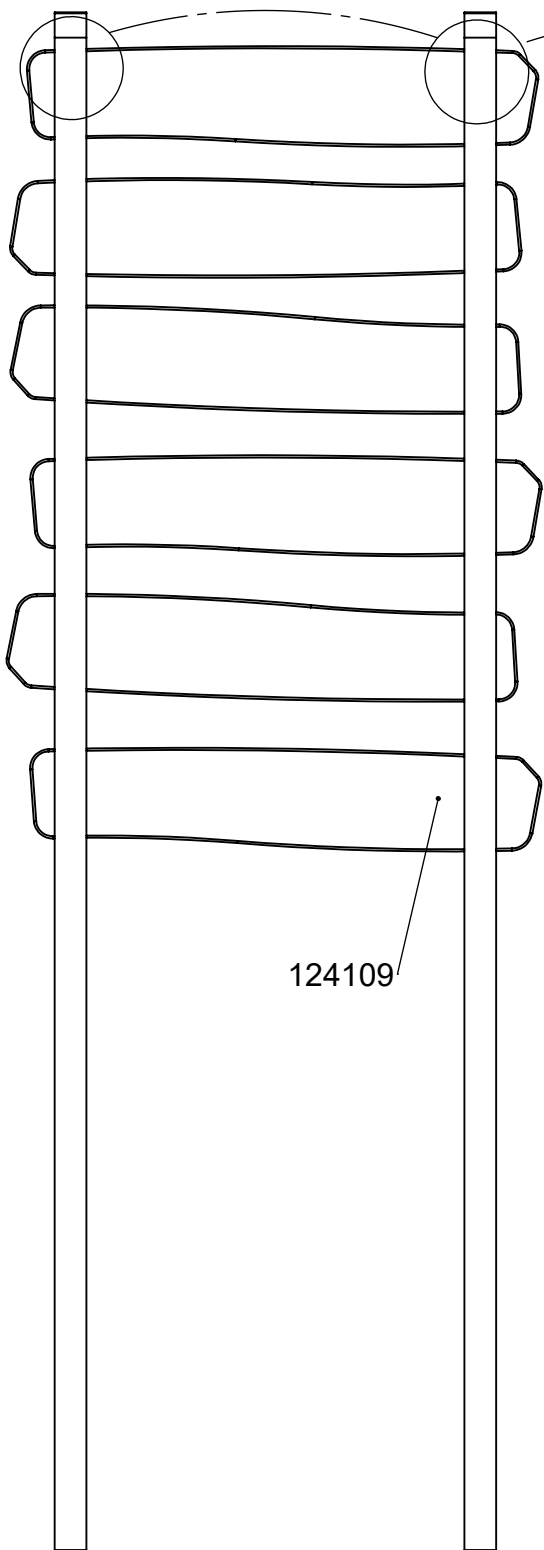


4x 5x50sxs

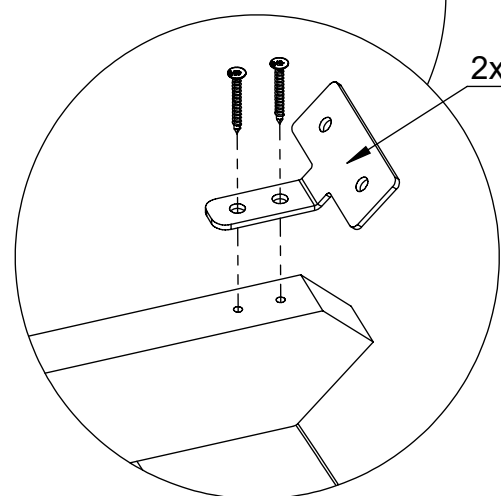
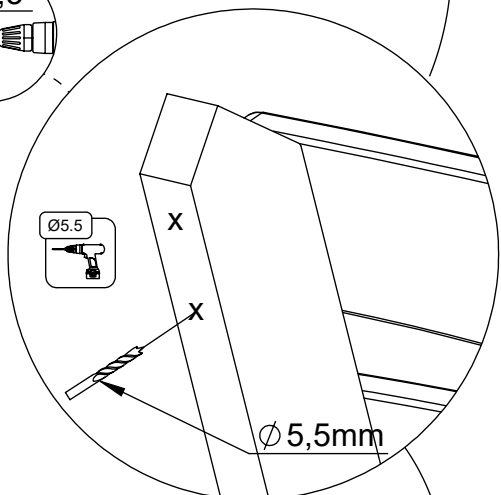
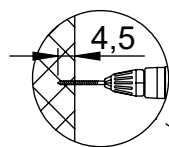
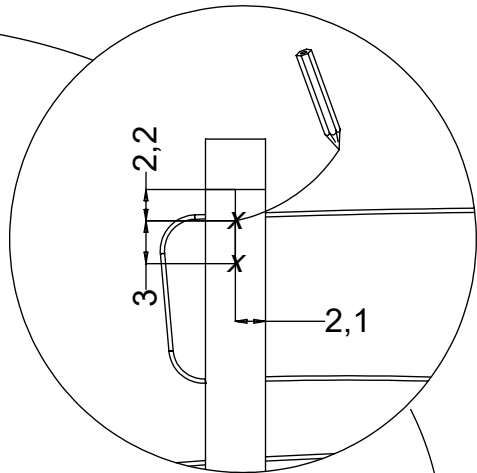


[cm]

vinci
play



124109

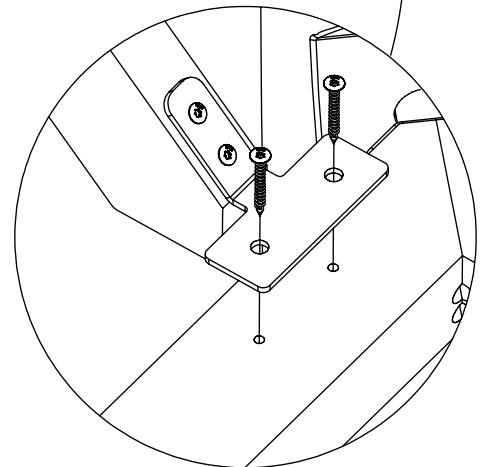
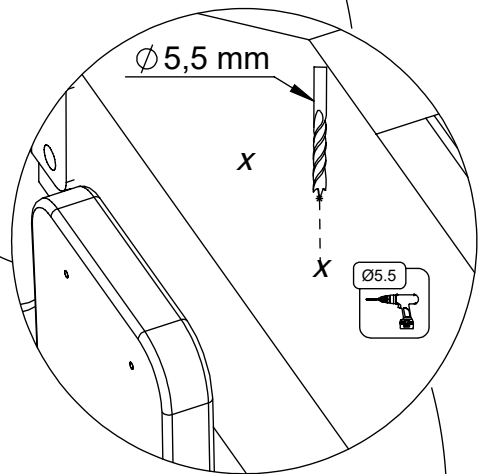
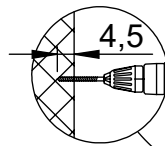
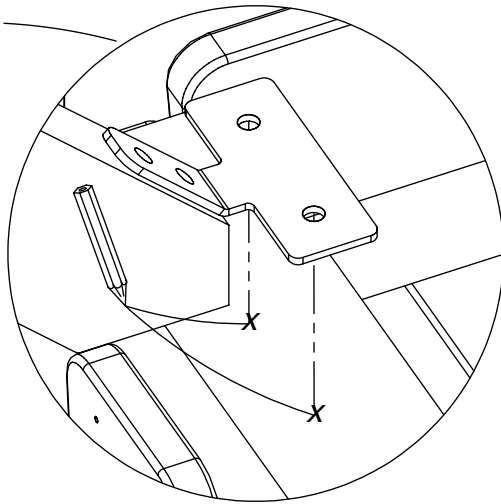
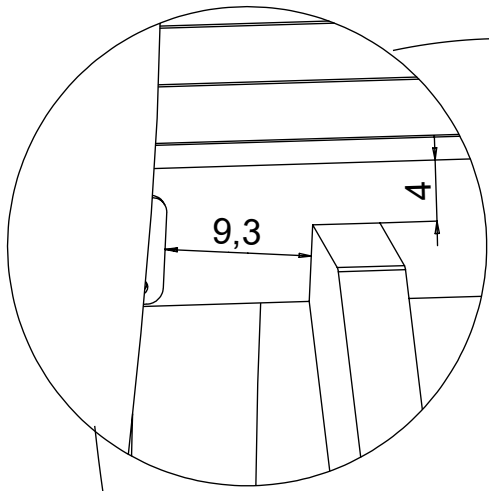


4x 8x50 sxi

2x b392

[cm]

vinci
play

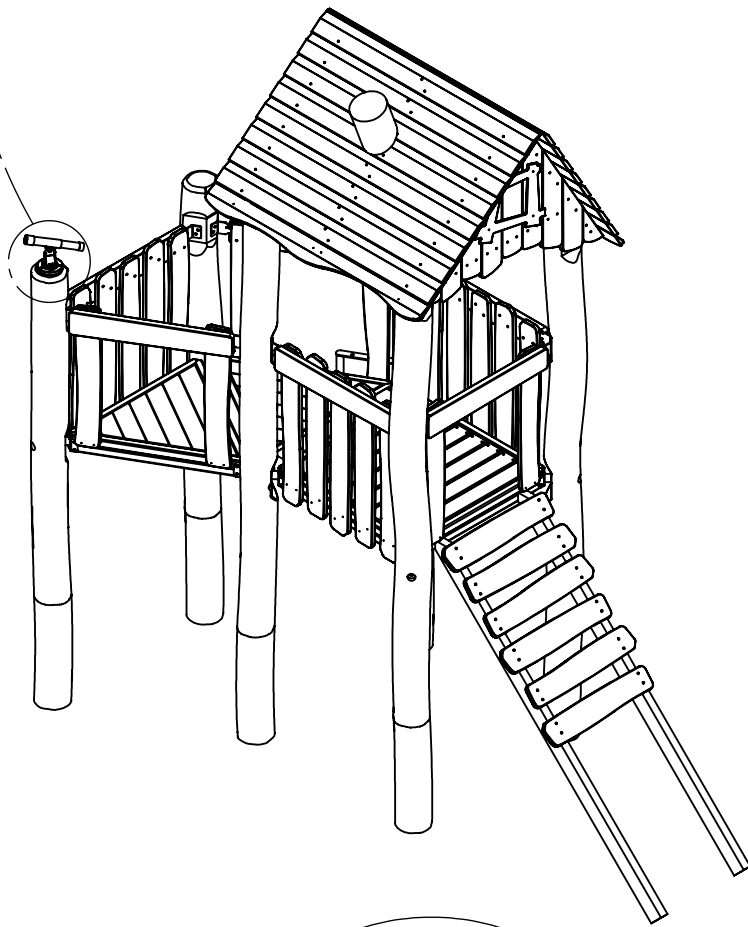
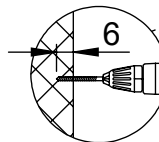
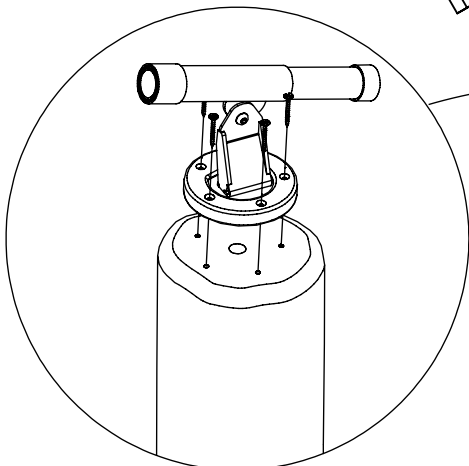
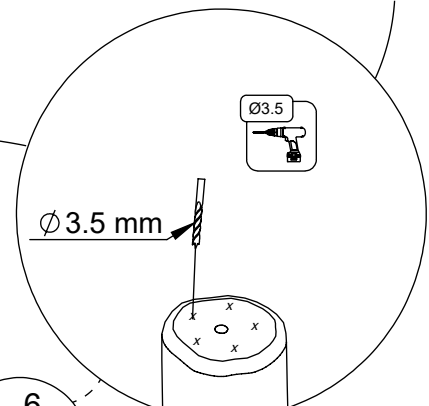
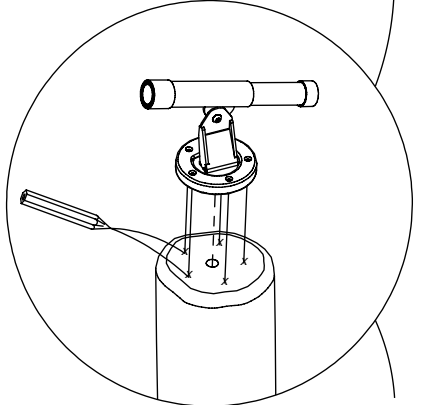
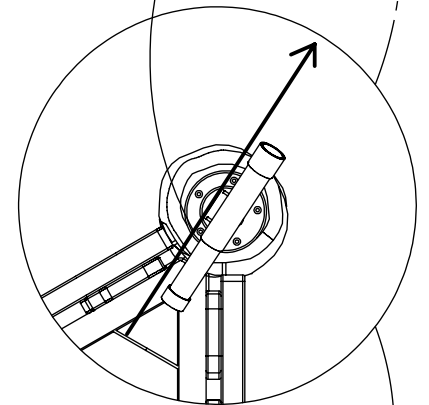
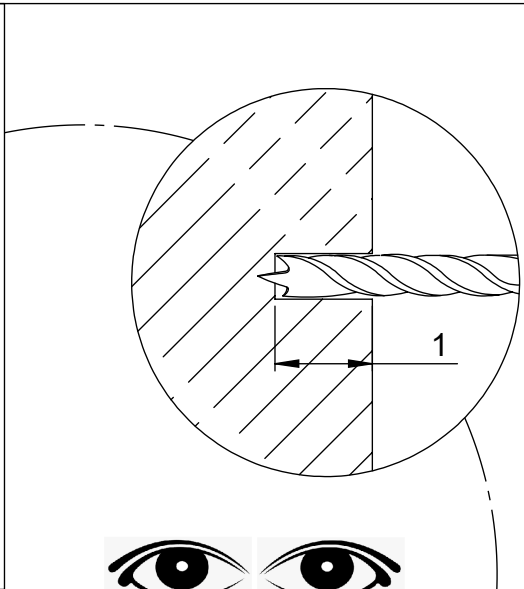
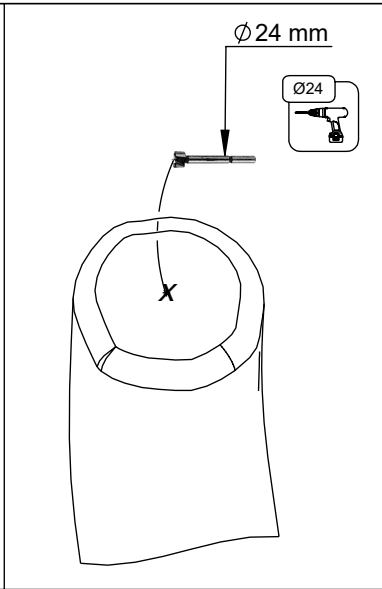
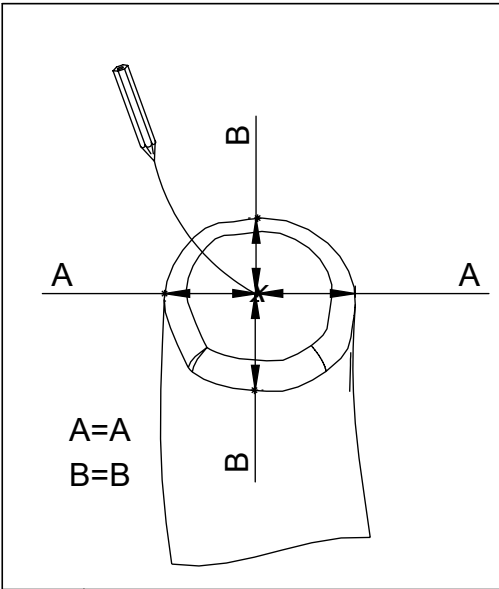


4x 8x50sxi



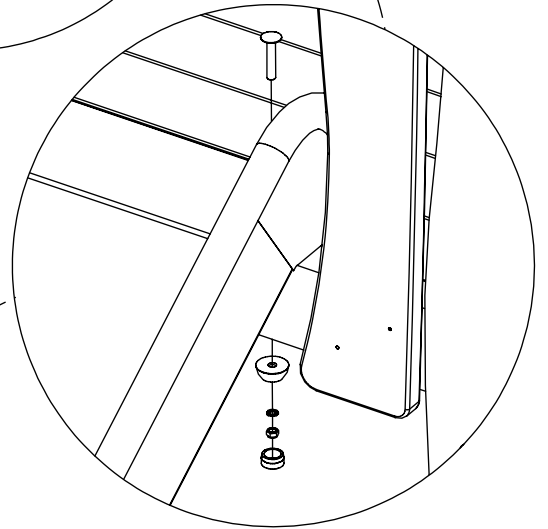
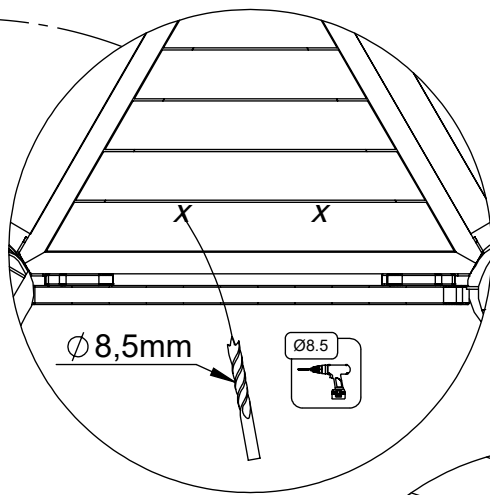
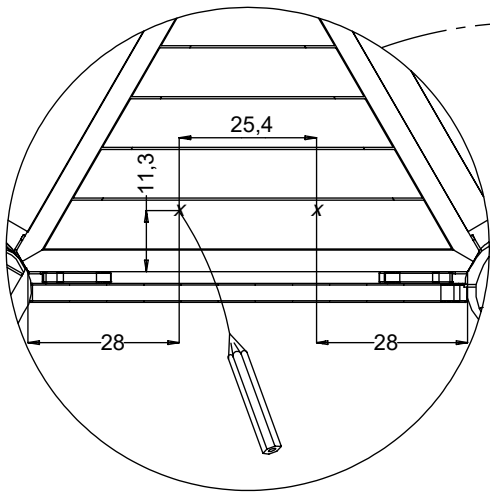
[cm]

vinci
play

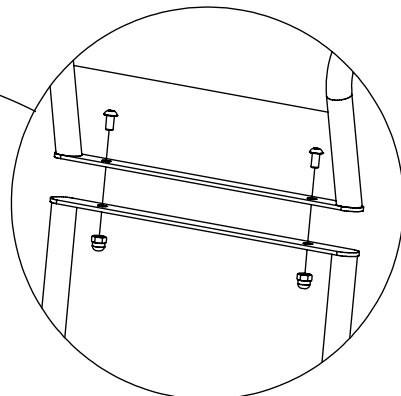
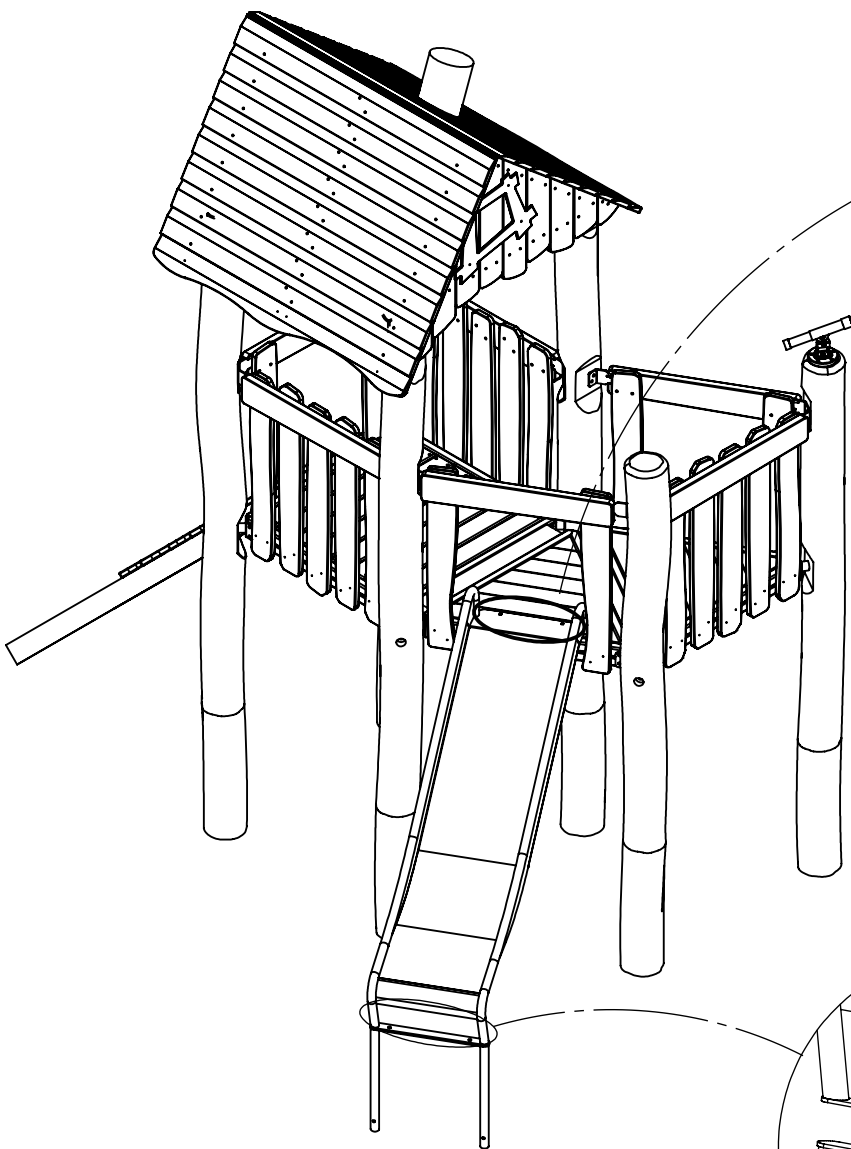


[cm]

vinci
play



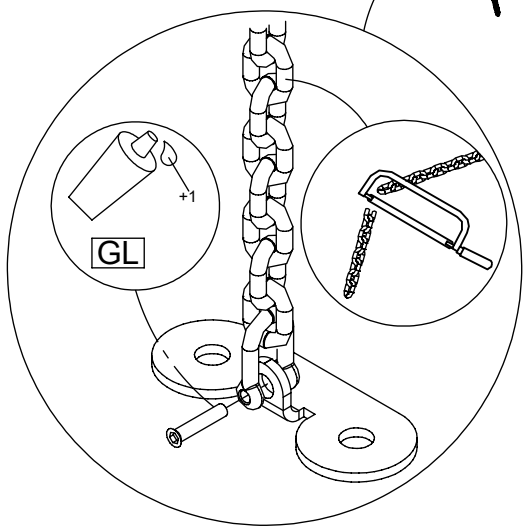
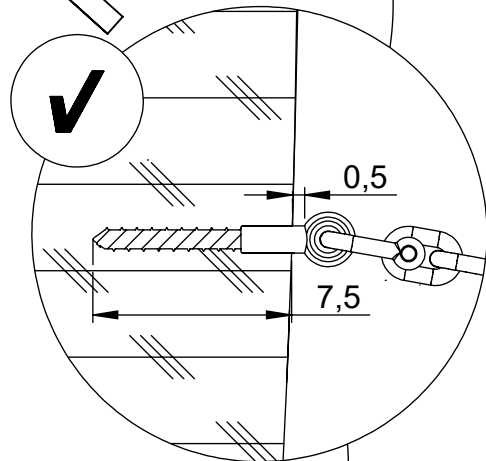
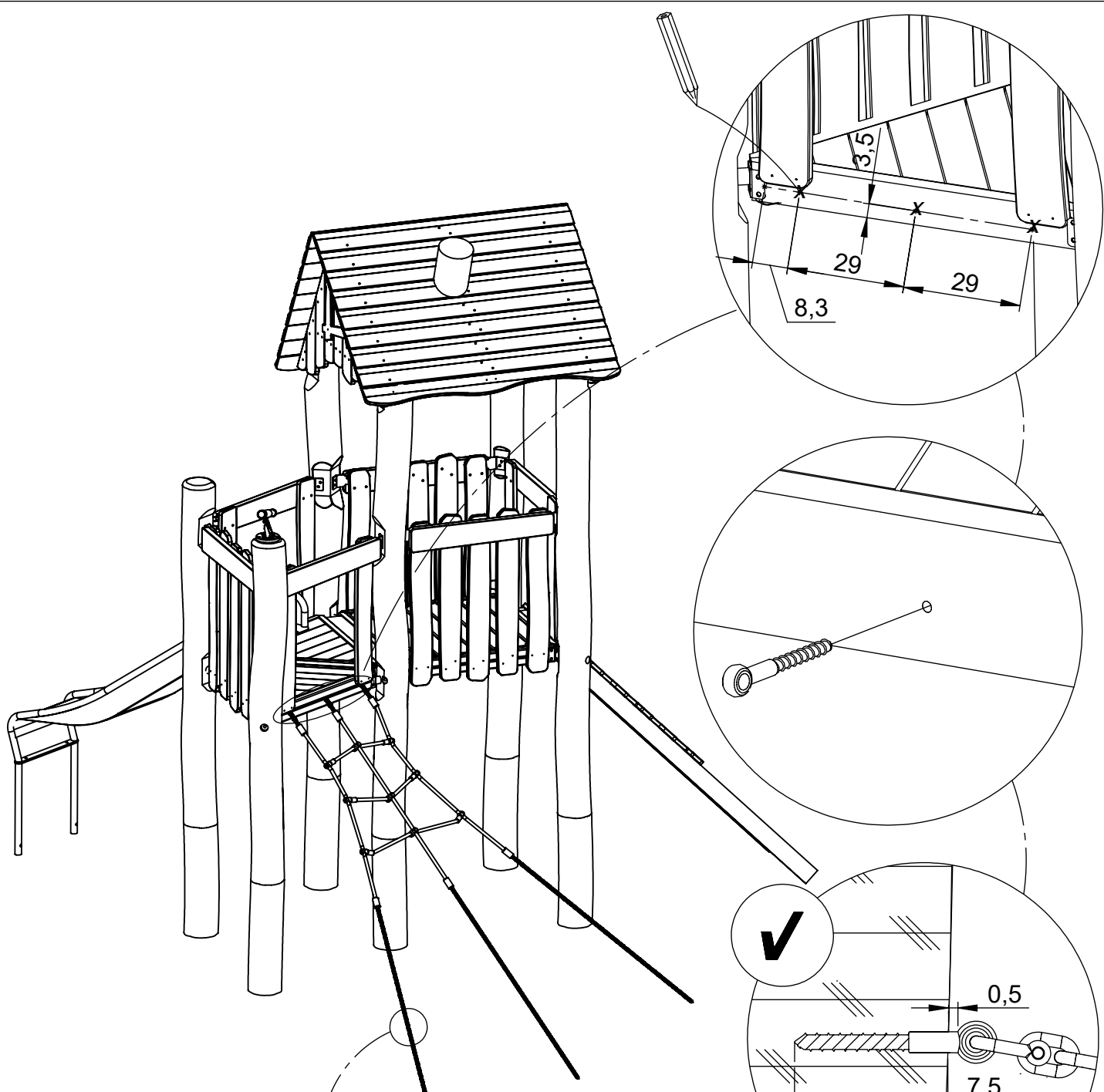
1x 12e019



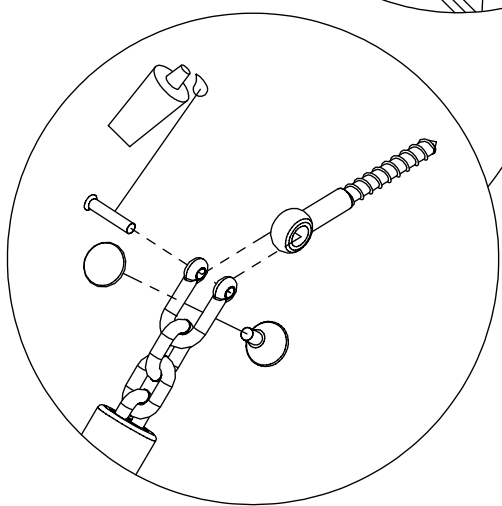
1x 12e030

[cm]

vinci
play



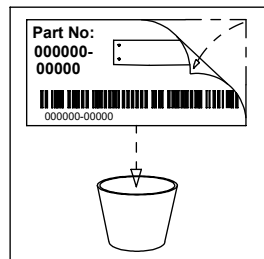
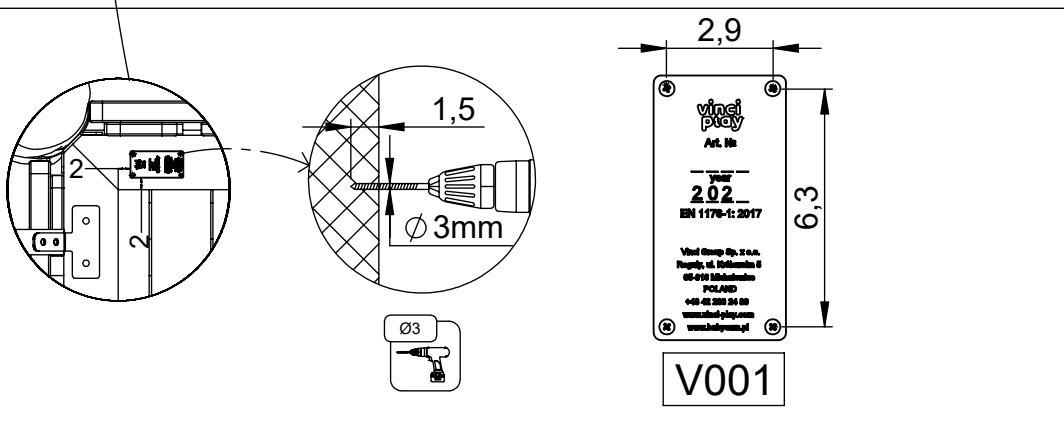
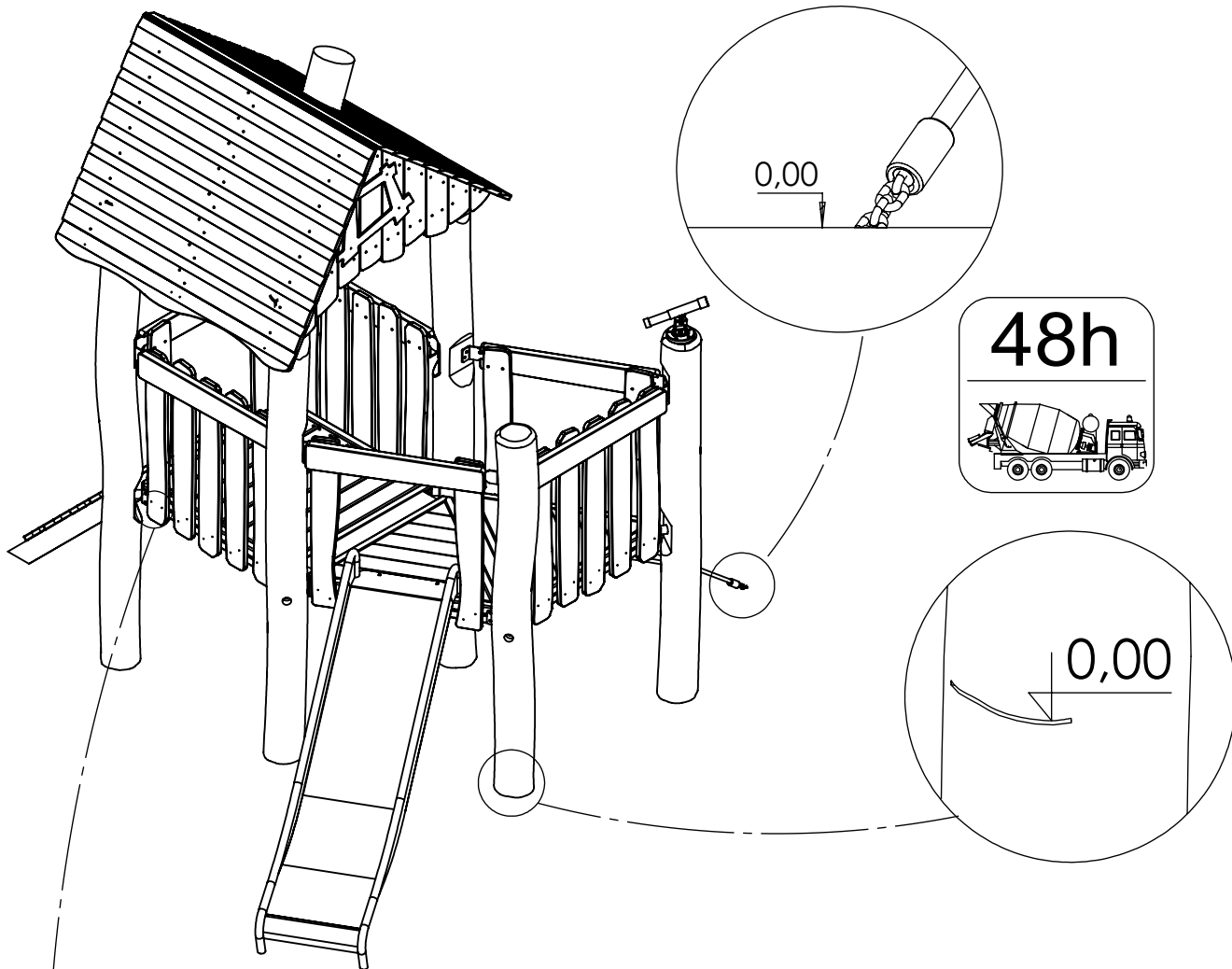
3x 12e052



1x 12e015

[cm]

vinci play



[cm]

vinci
play