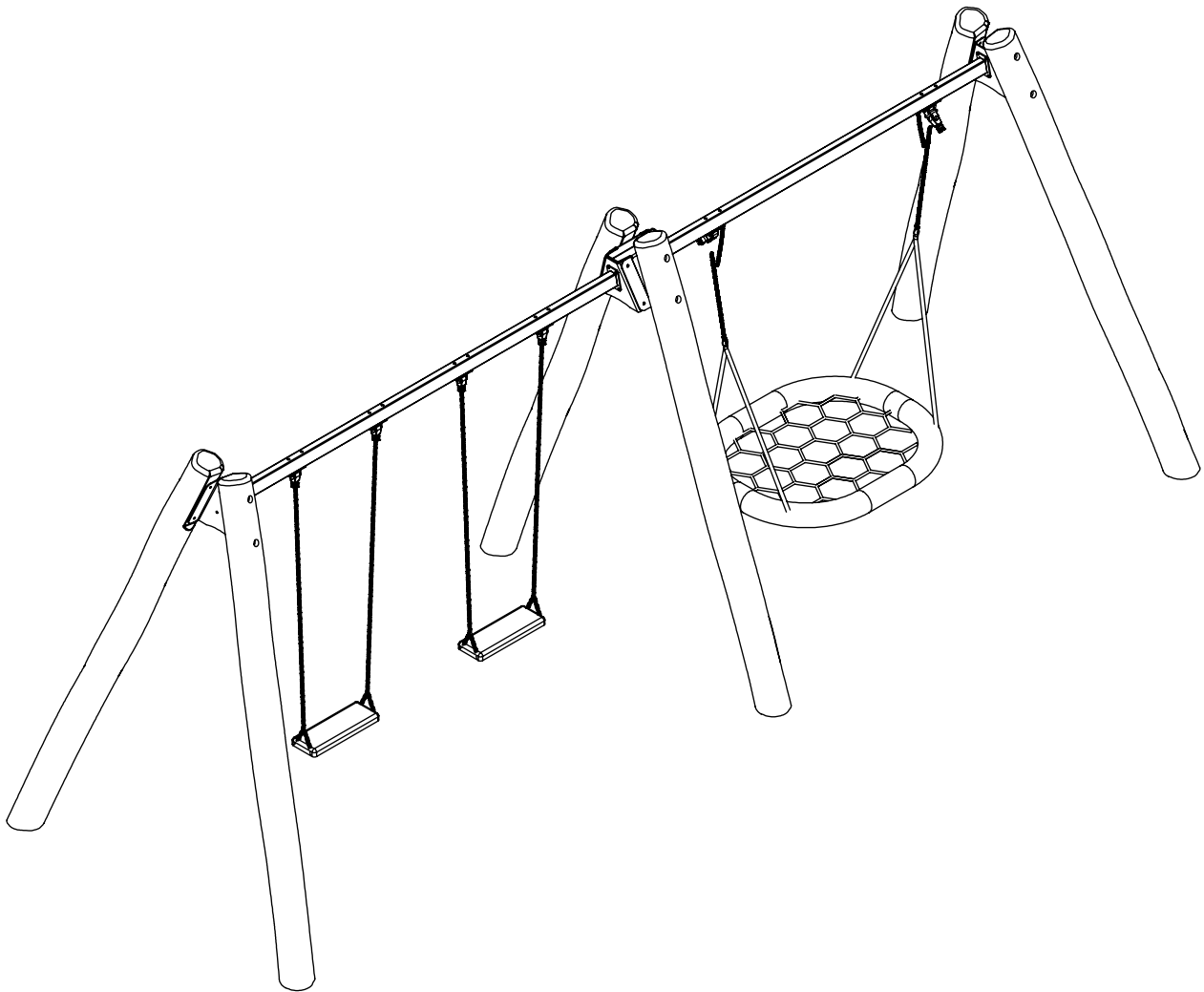
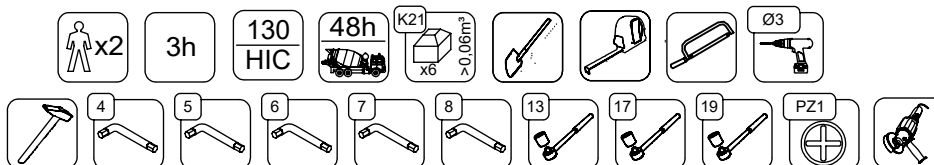


RB1494

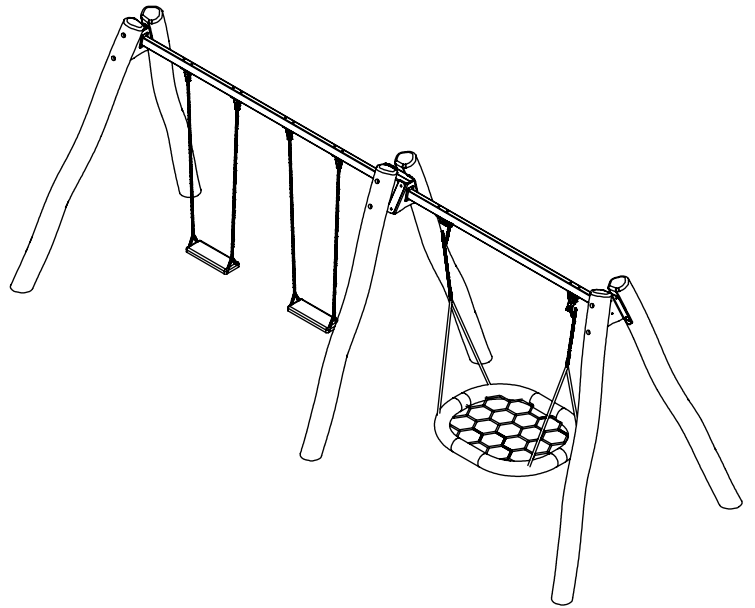
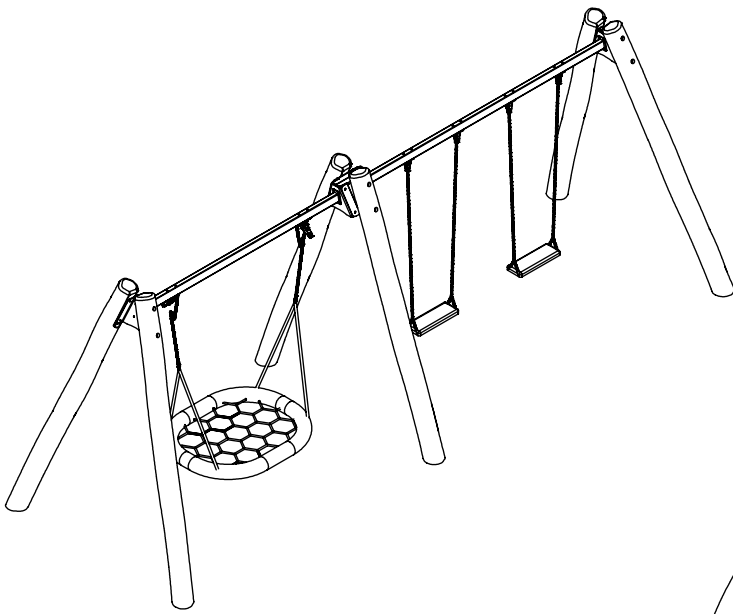
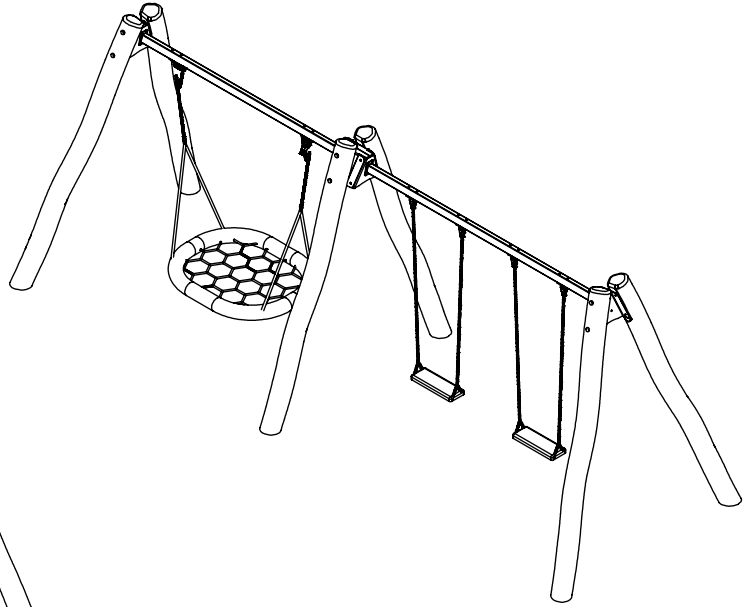
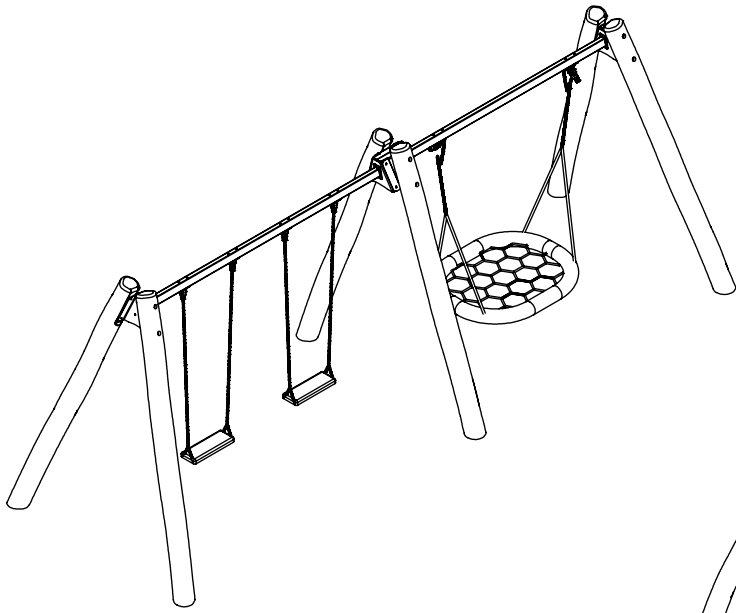


v010
02.11.2020
A.P.

[cm]

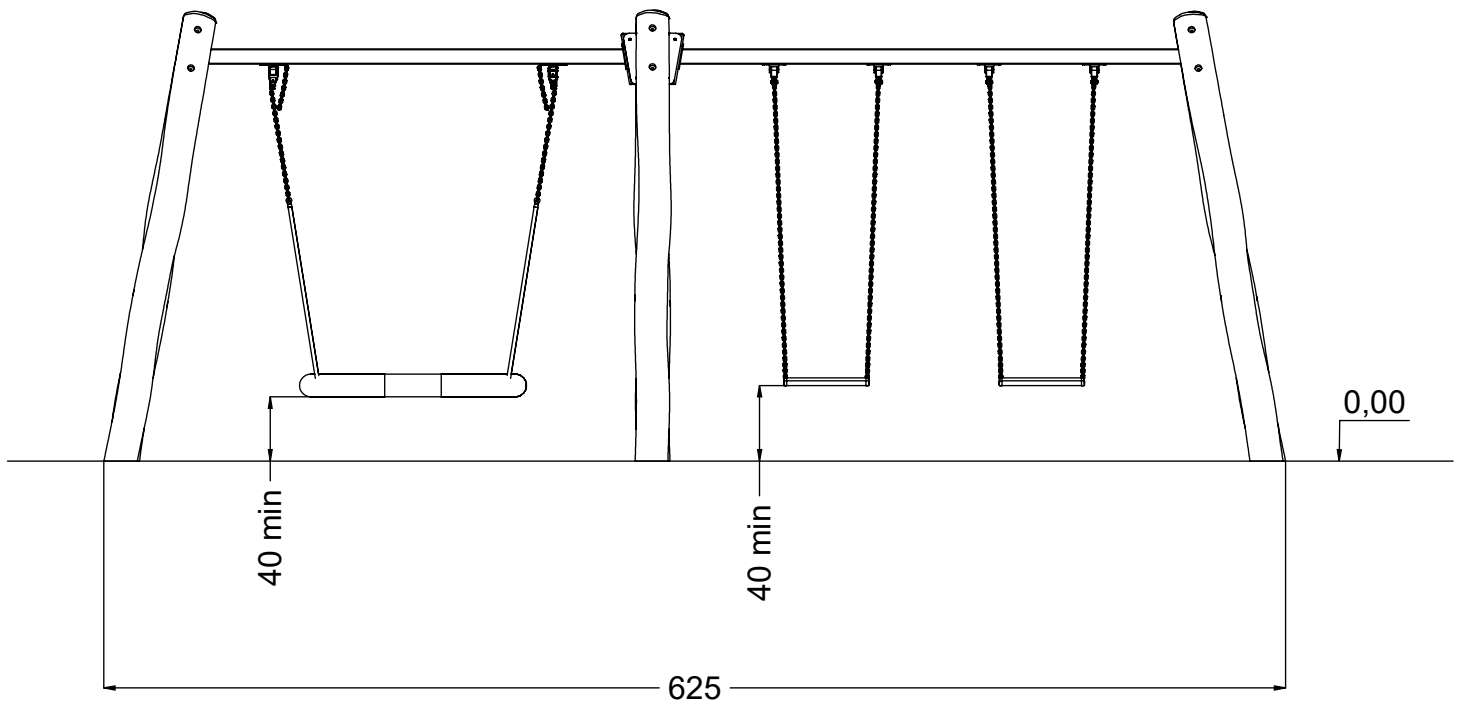
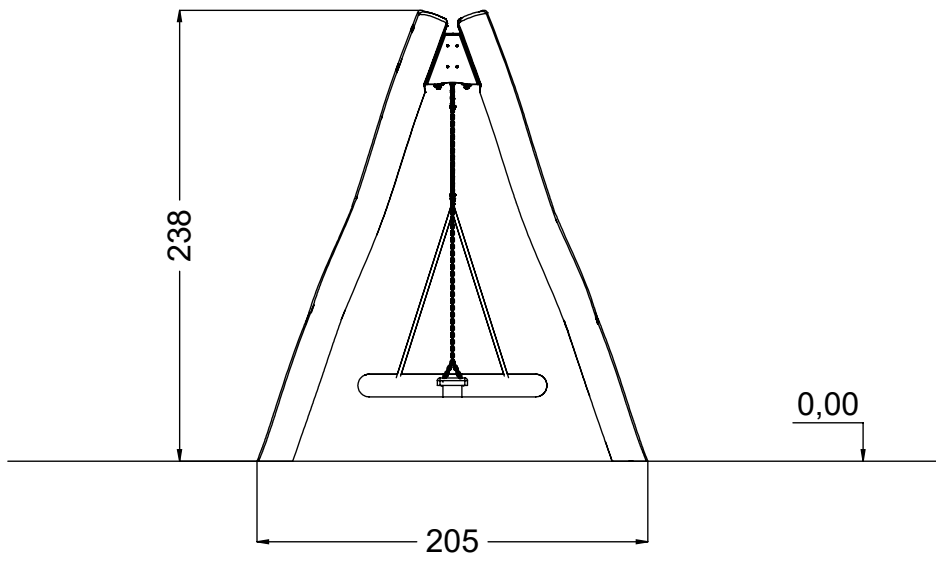


vinci
play



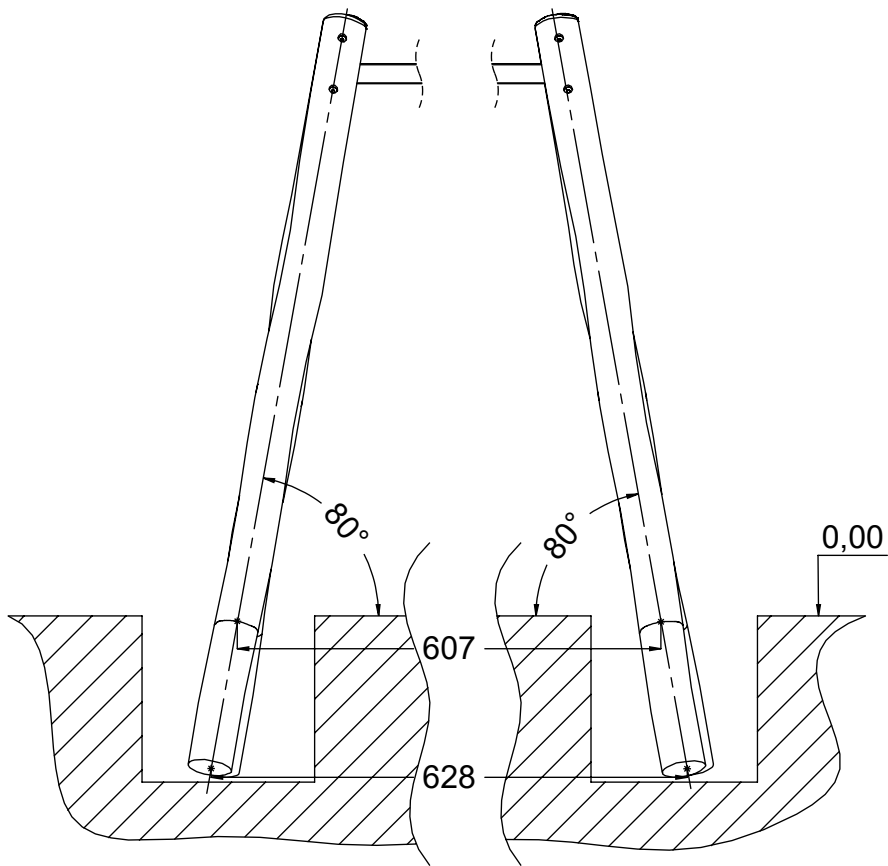
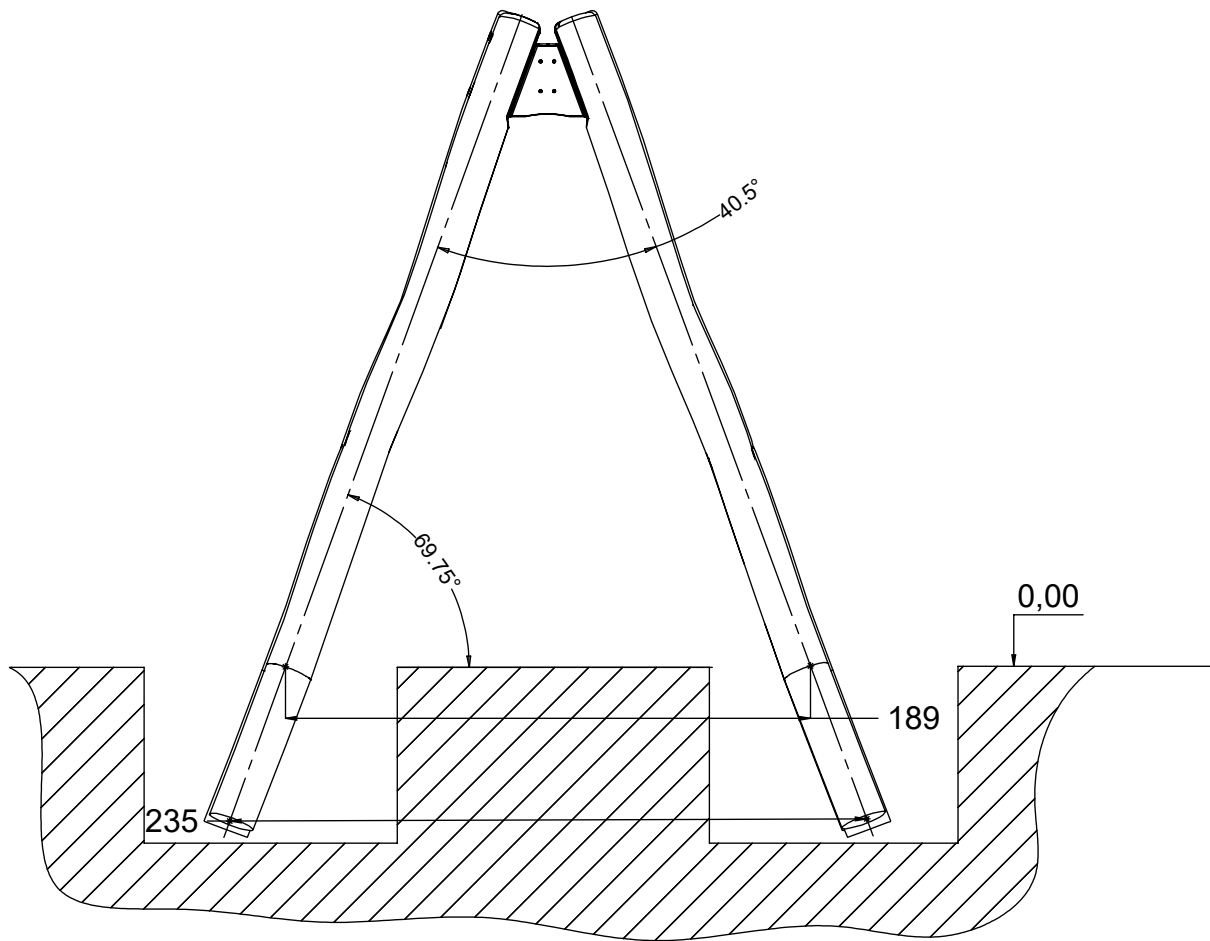
[cm]

vinci
play



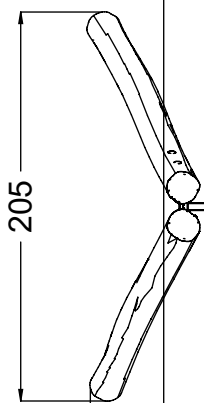
vinci
play

[cm]



[cm]

vinci
play



205

740

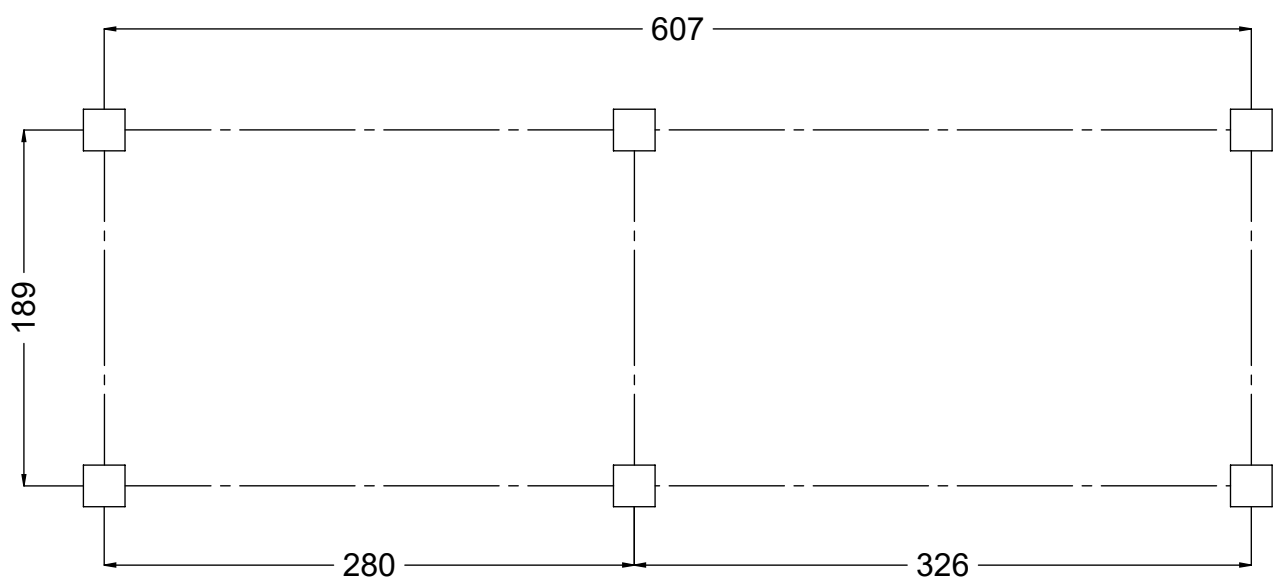
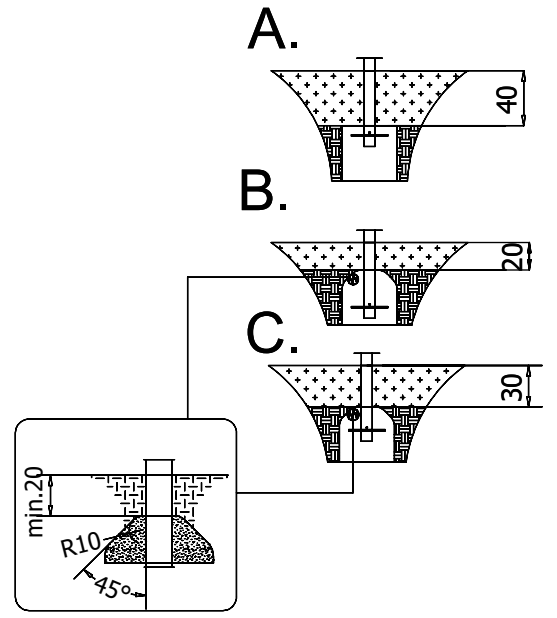
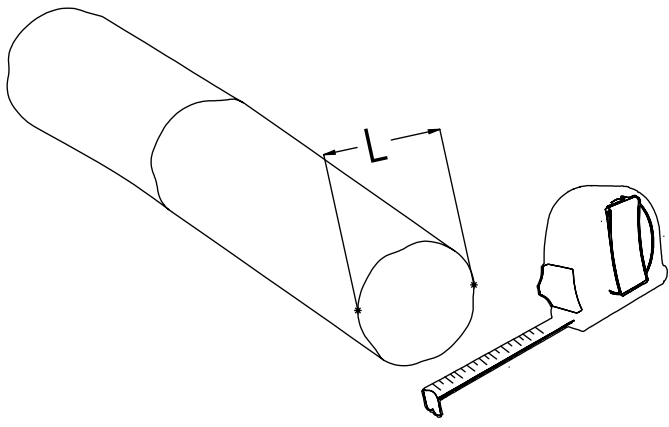
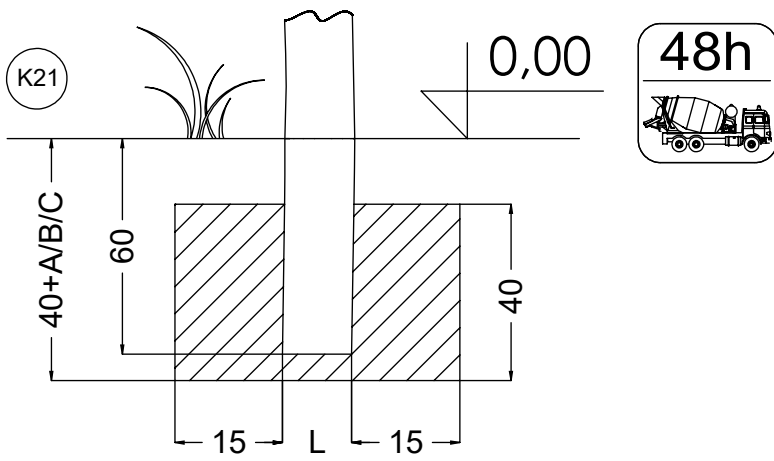
545

625

[cm]



vinci
play



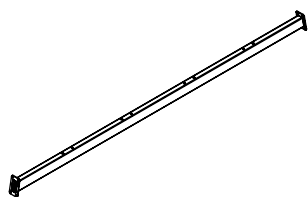
[cm]

x2
 3h
 48h
 (K21) x6 >0,06m³

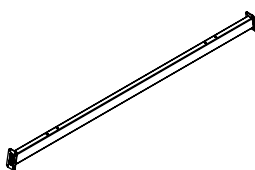
vinci
play



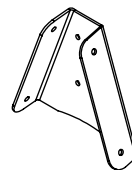
127116
x6



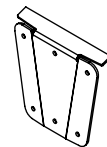
052128
x1



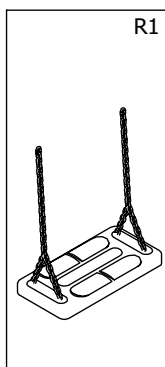
052129
x1



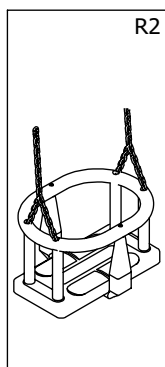
b66-5
x4



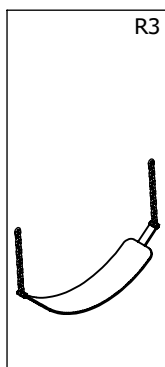
b251-2
x2



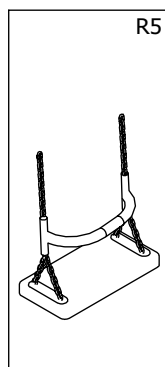
R1



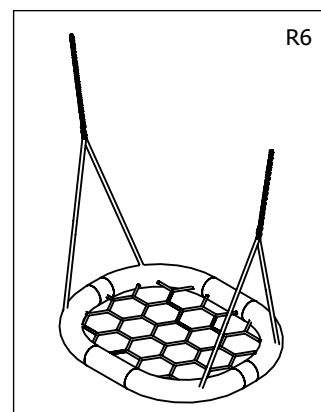
R2



R3

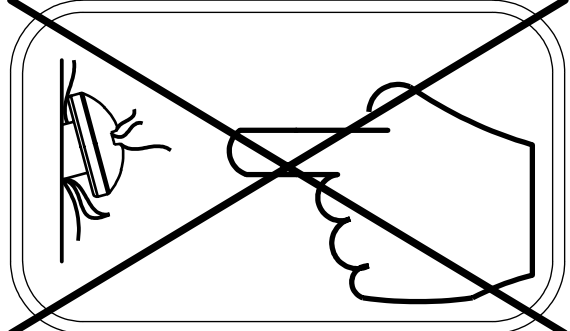
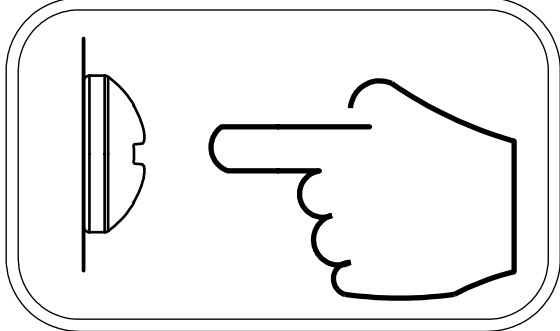
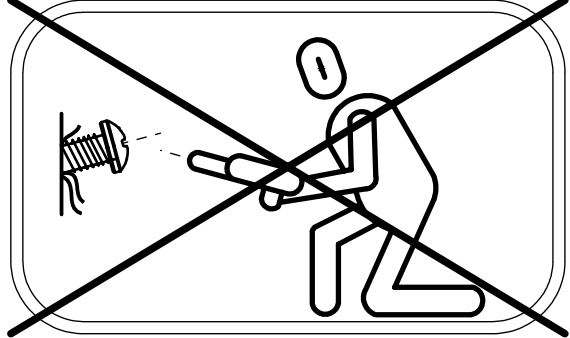


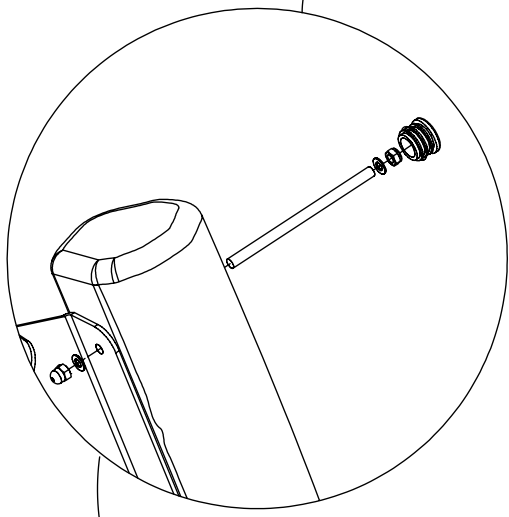
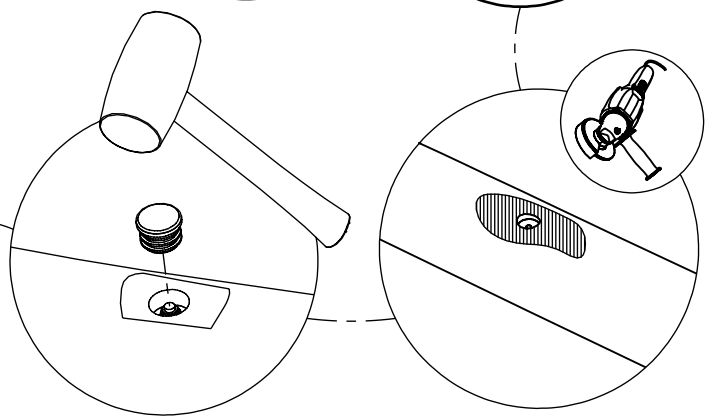
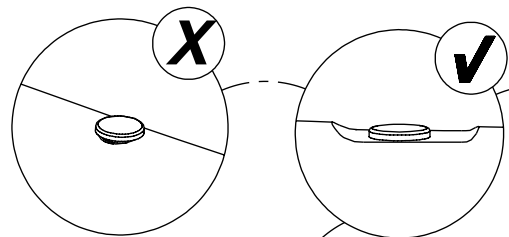
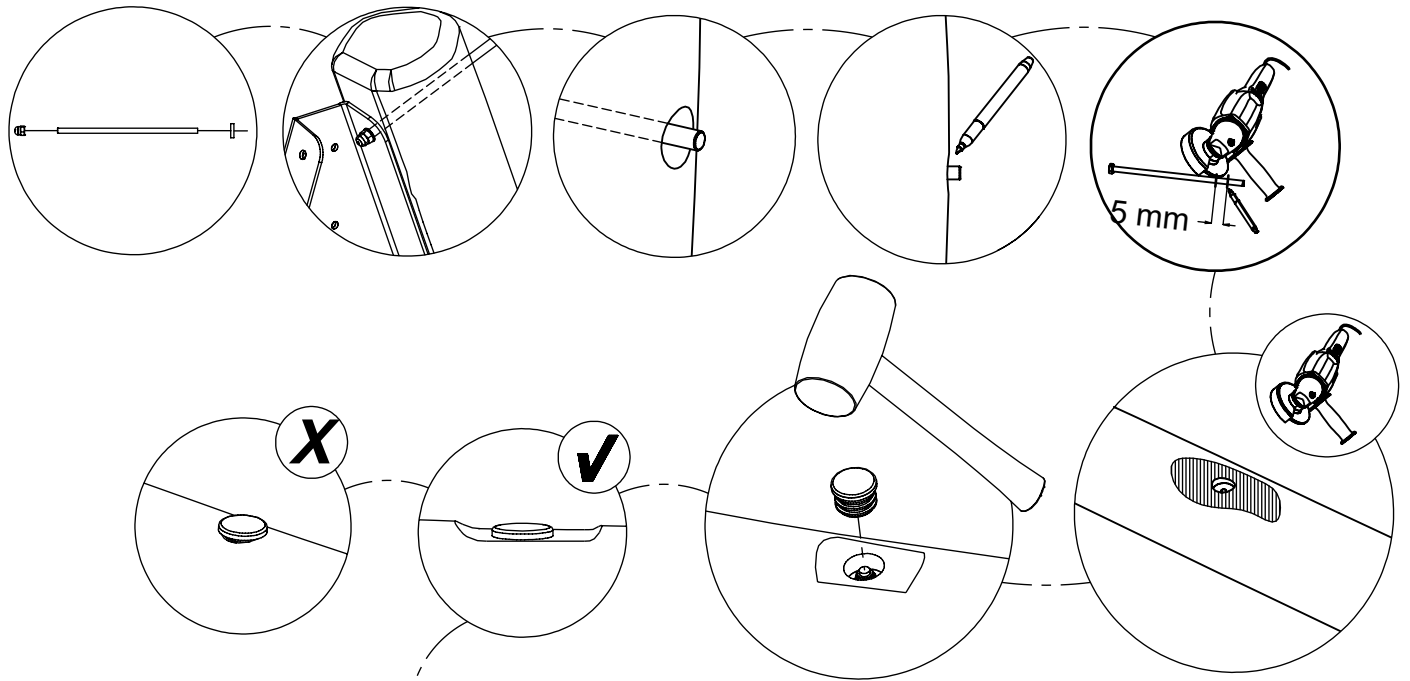
R5



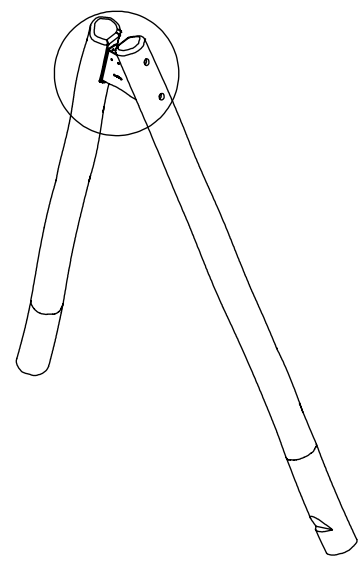
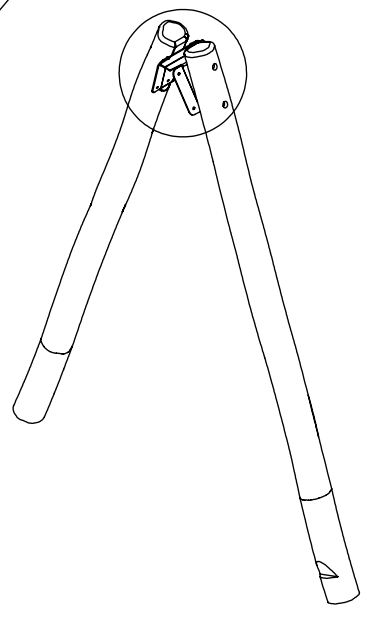
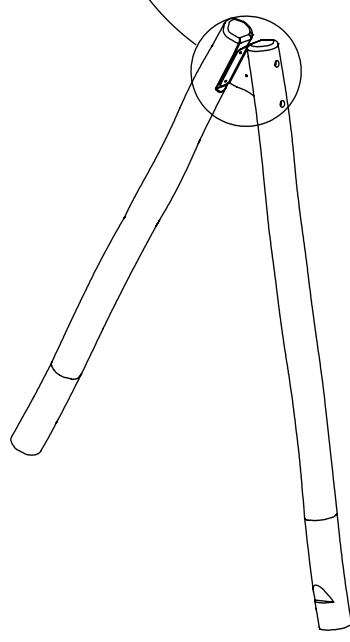
R6

2x	E60
1x	E61
2x	E62
1x	E63
1x	E164 R1,R5
1x	E165 R2
1x	E168 R3
3x	12e017
1x	V001





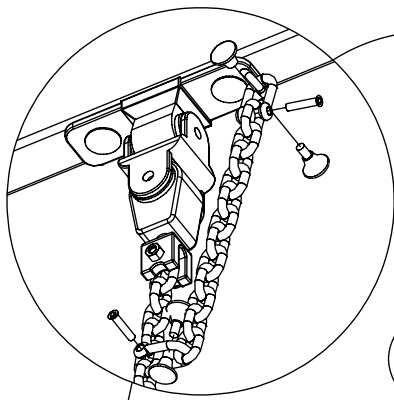
3x 12e017



[cm]

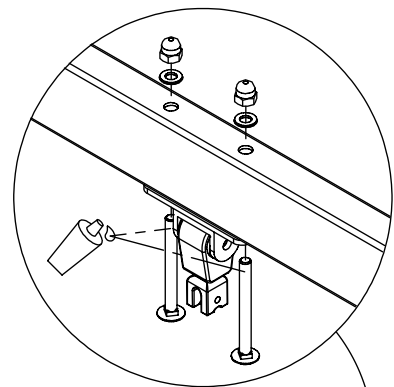
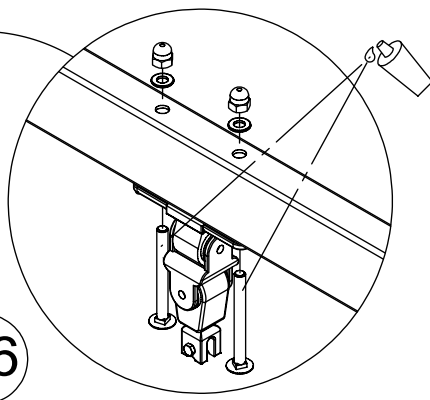


vinci play

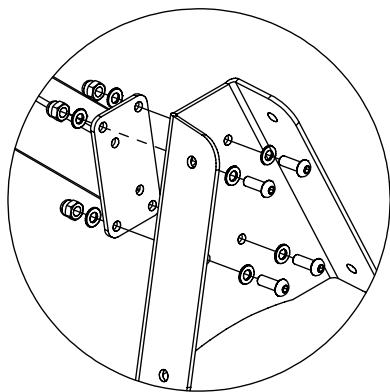


R6

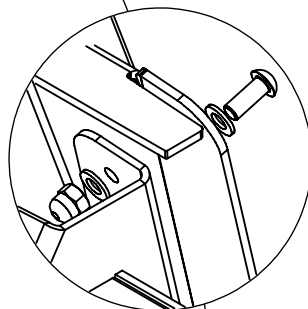
1x E63



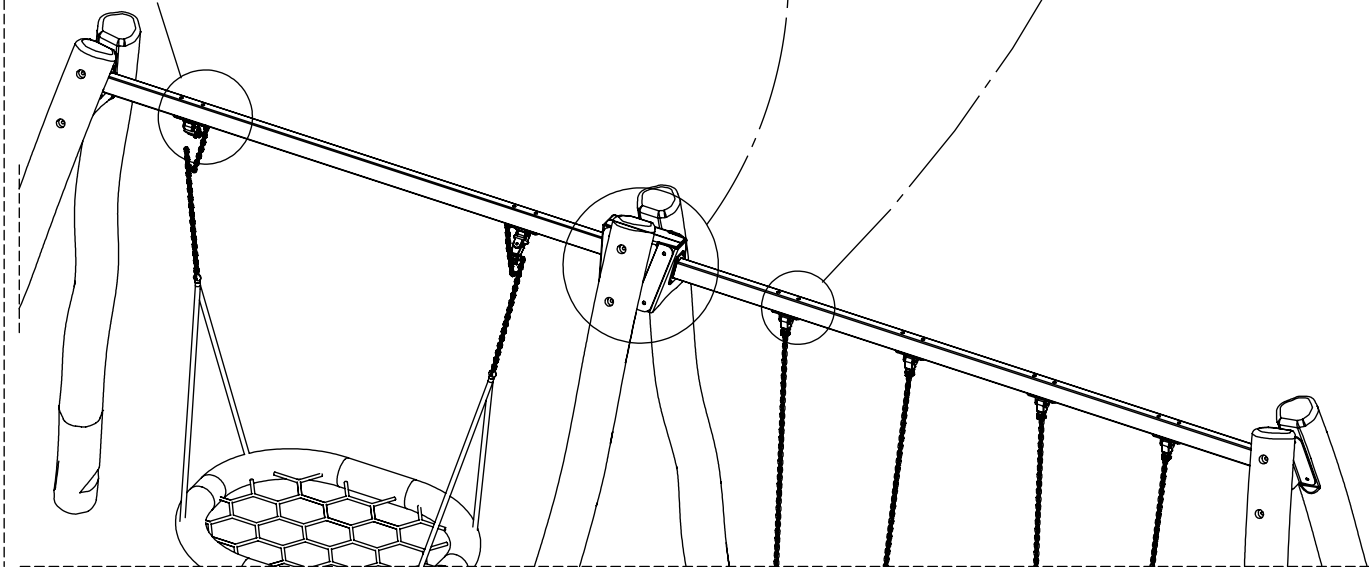
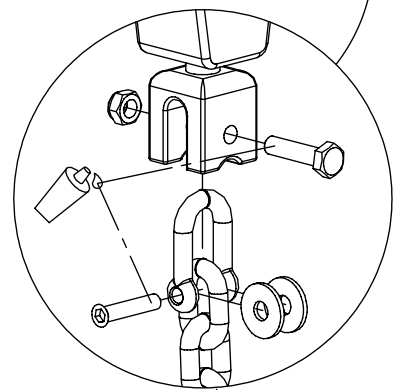
2x E62



2x E60



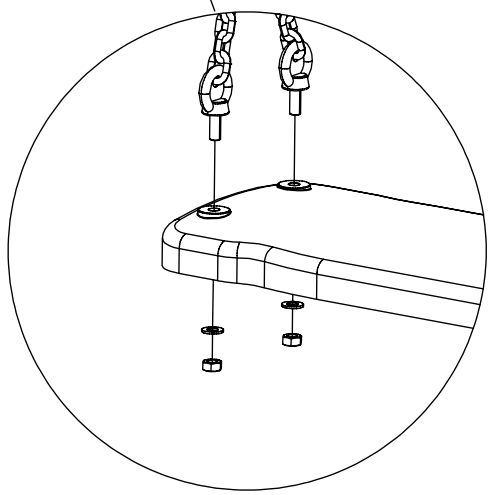
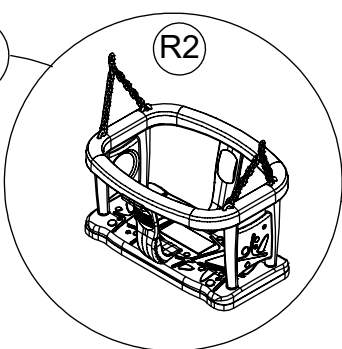
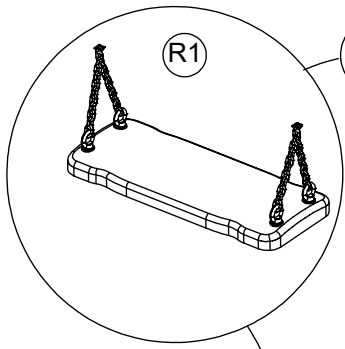
1x E61



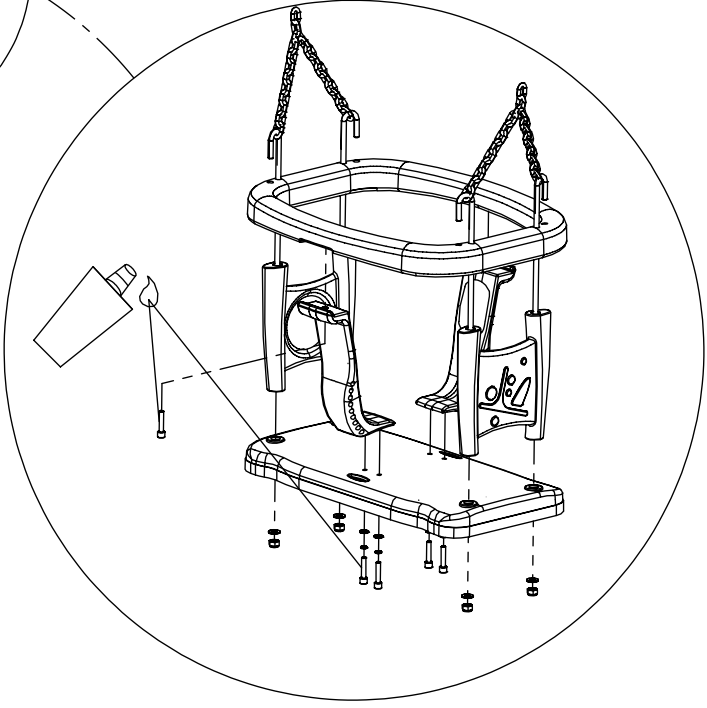
[cm]



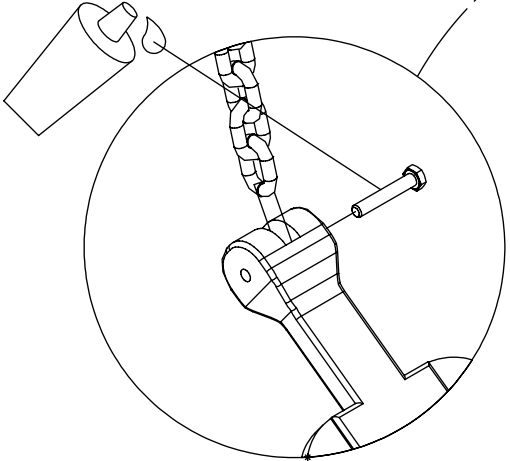
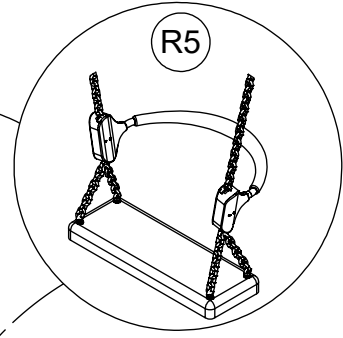
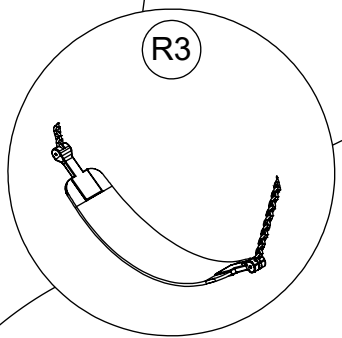
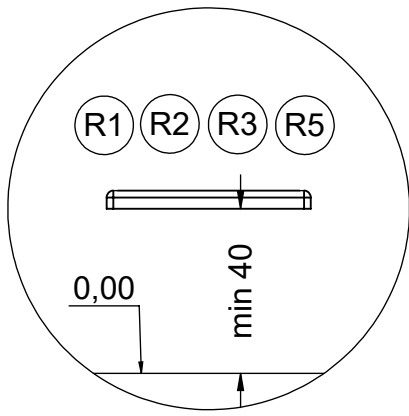
vinci
play



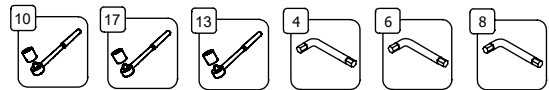
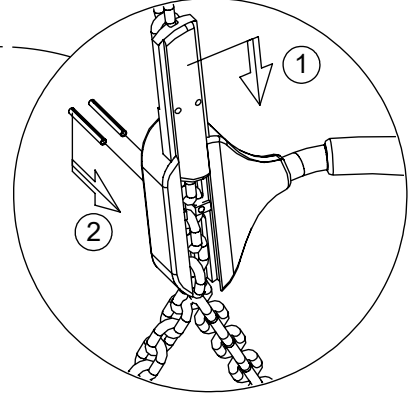
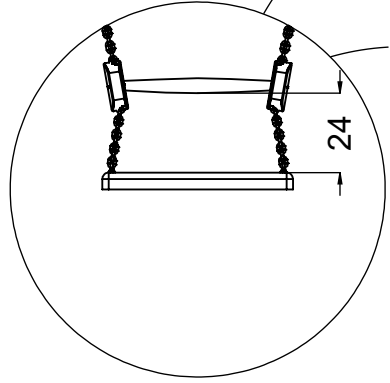
1x E164



1x E165

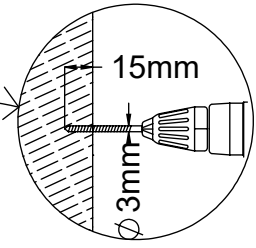
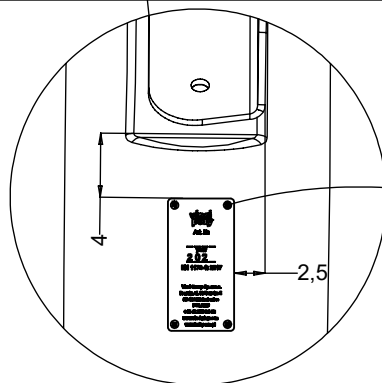
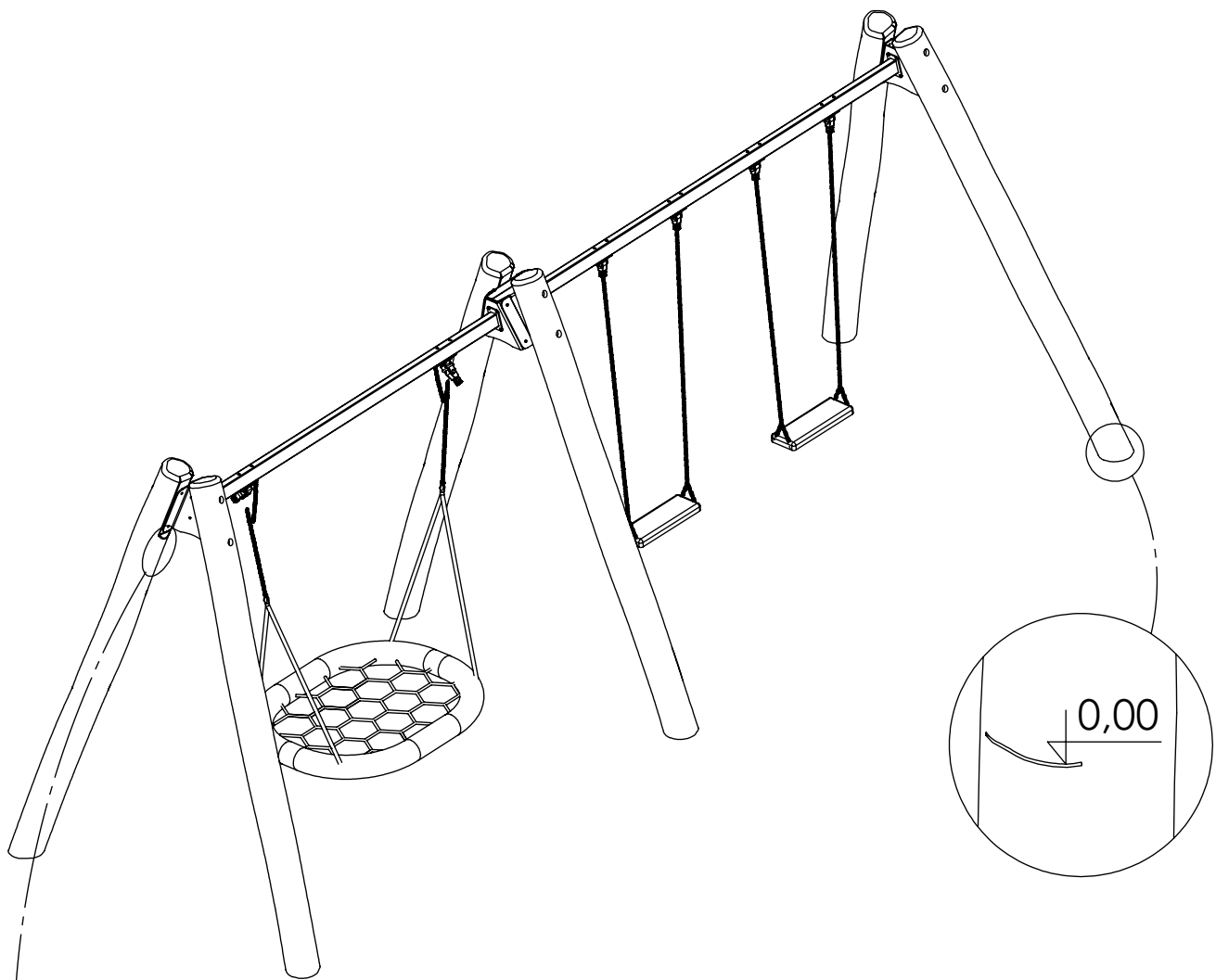


1x E168

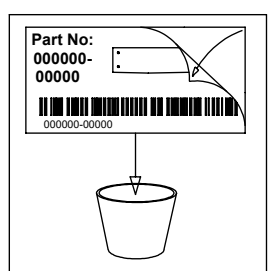


[cm]

vinci play



V001



[cm]

vinci
play