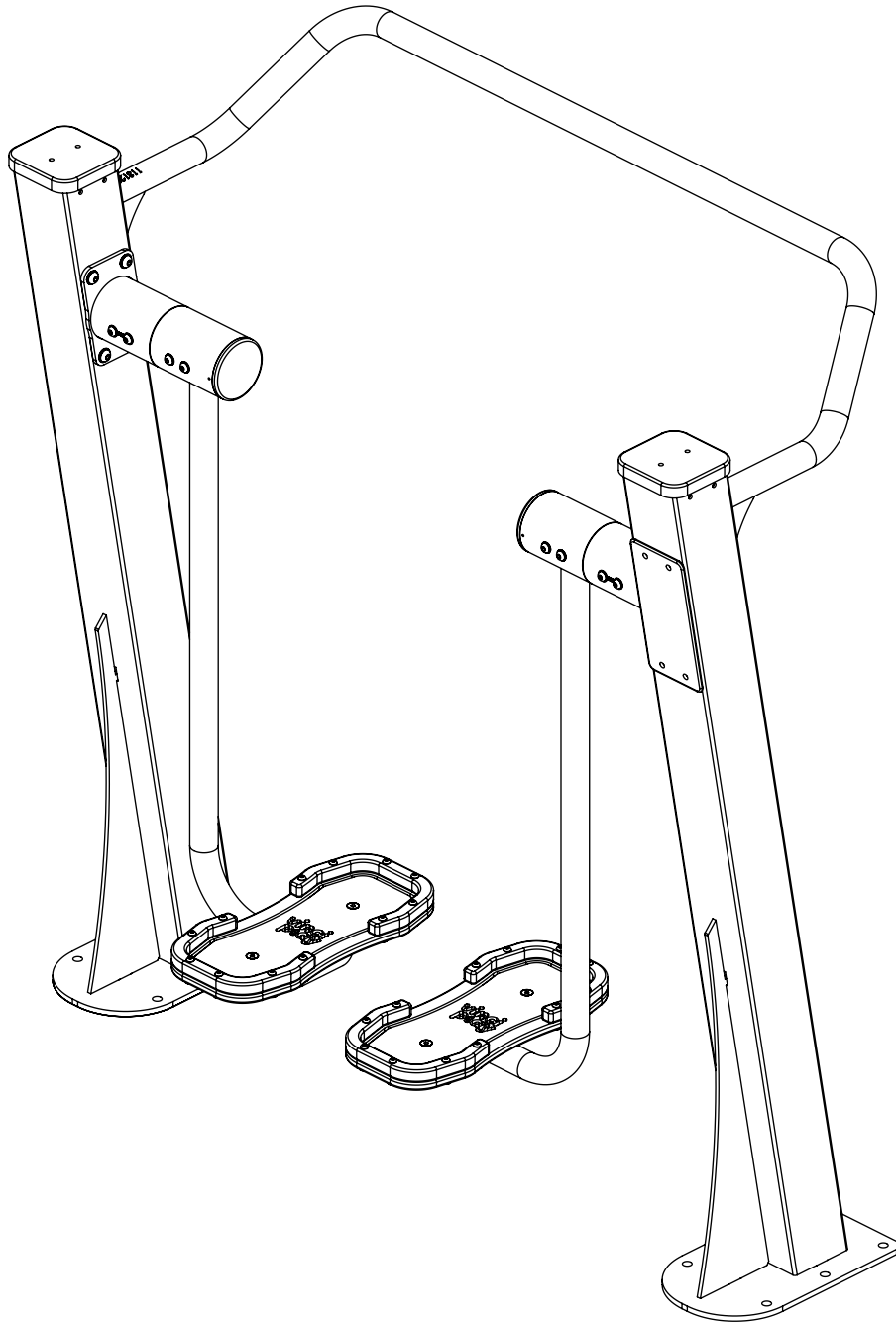
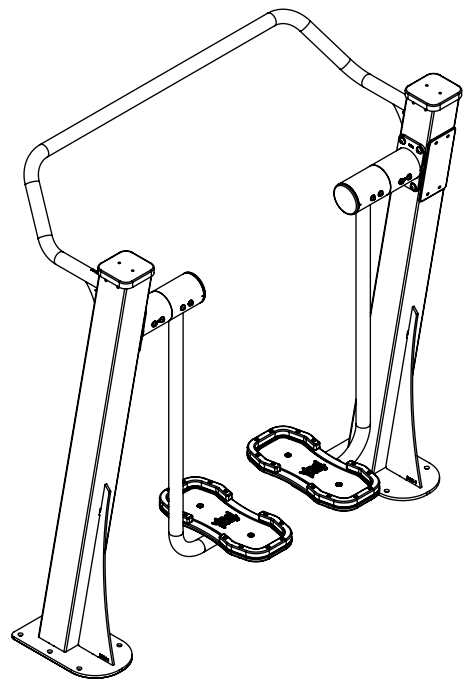
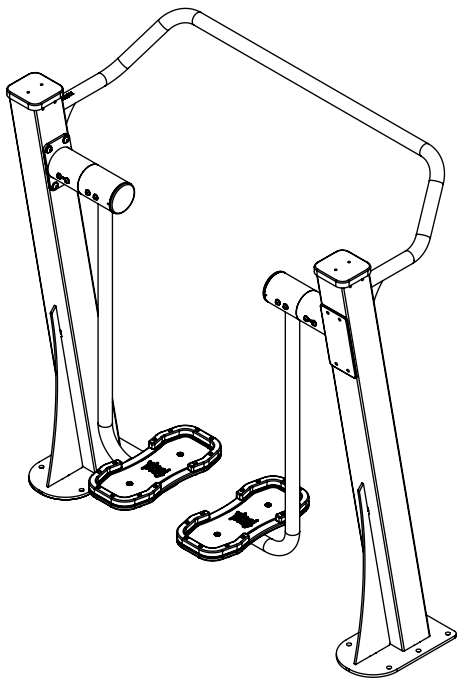
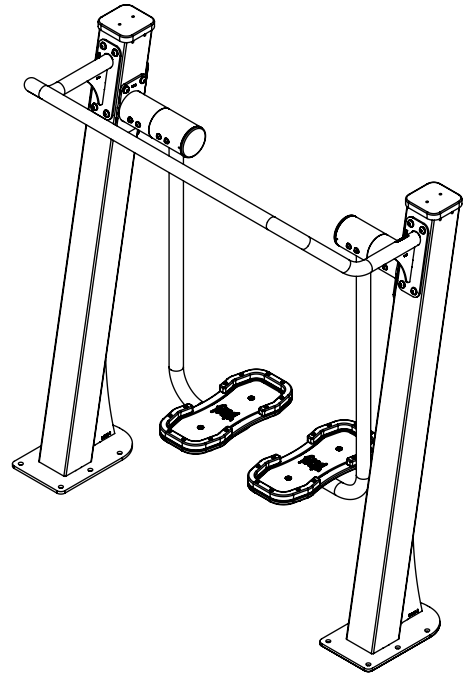
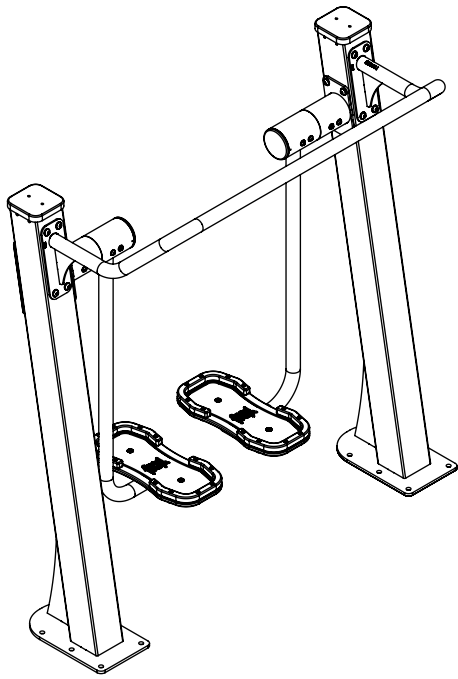


1106



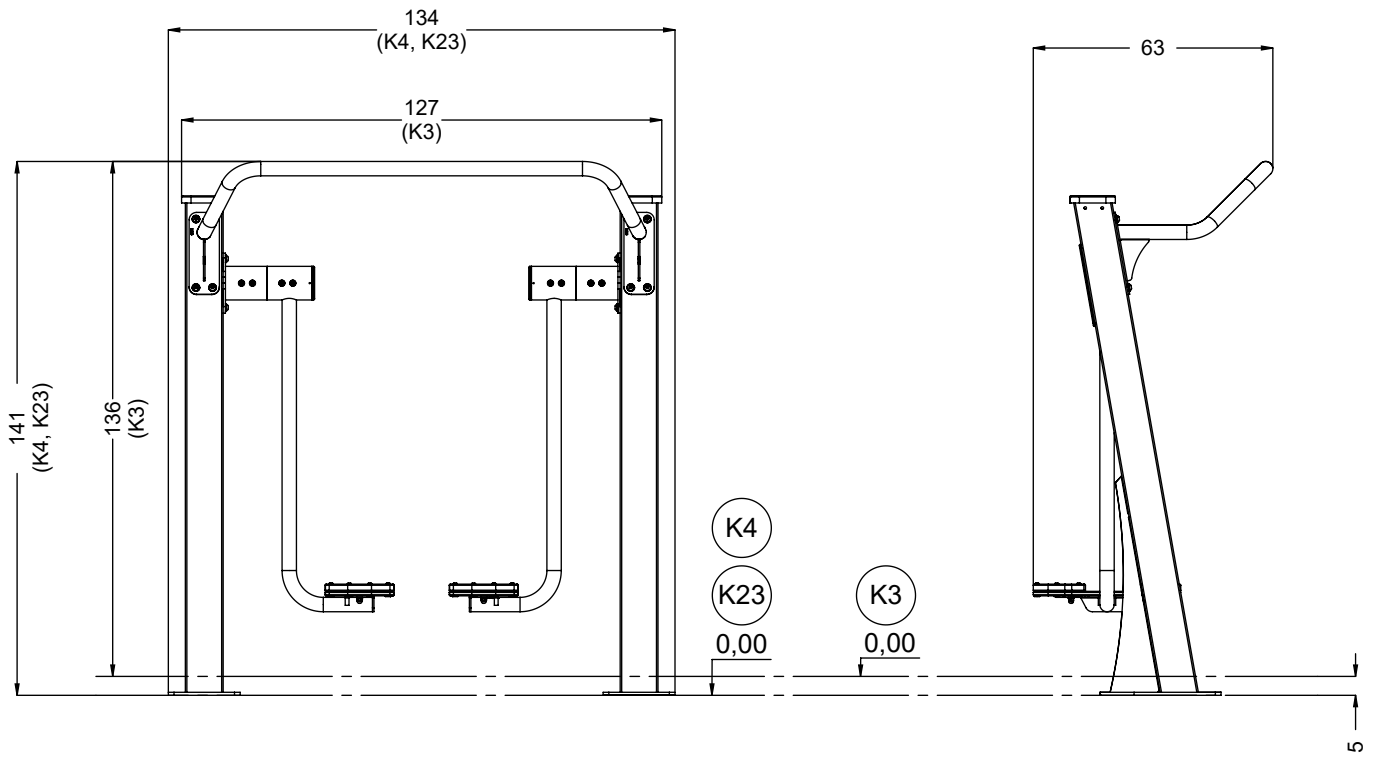
v011
22.03.2021
A. H.
[cm]

vinci
play



[cm]

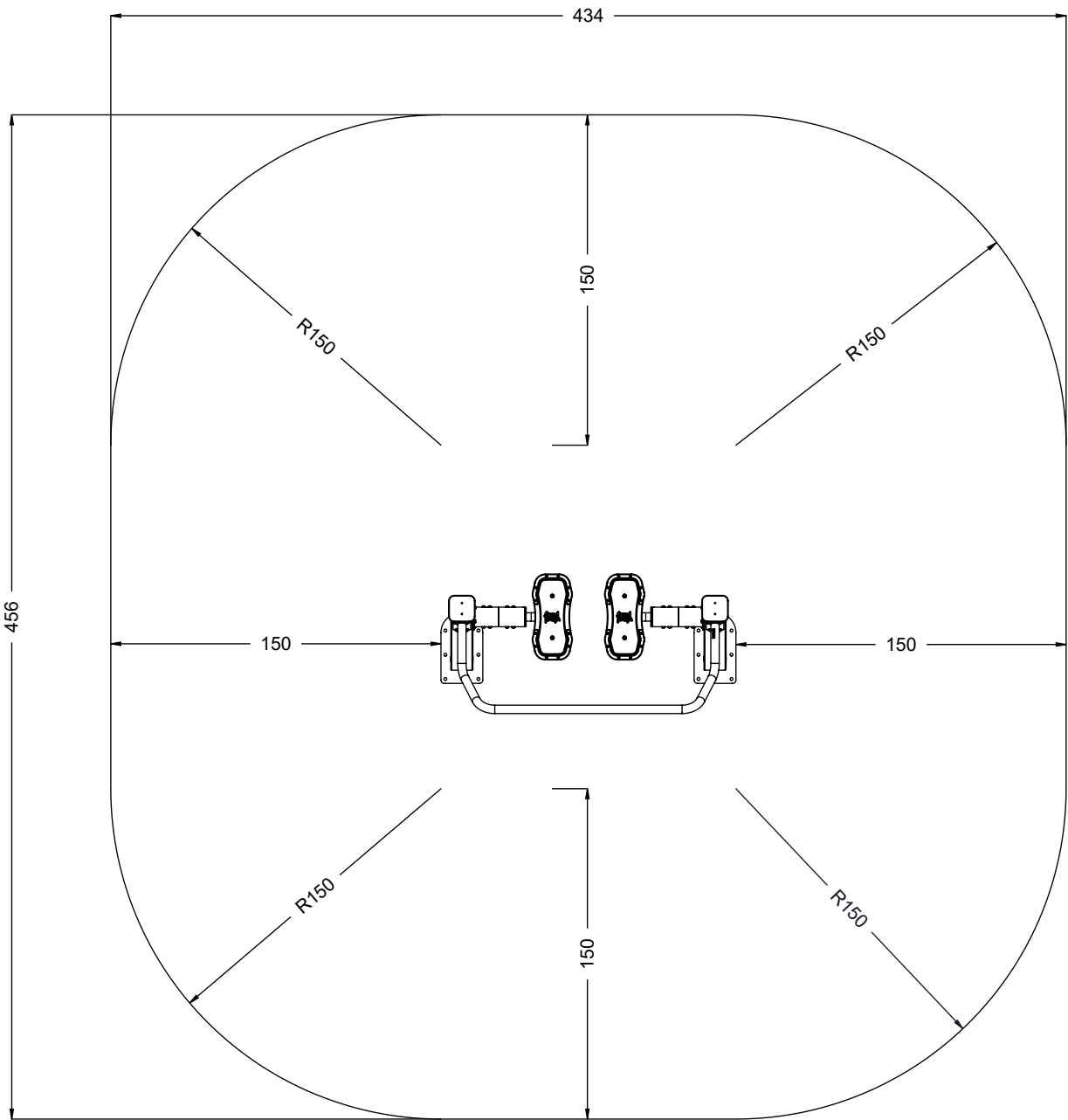
vinci
play



[cm]



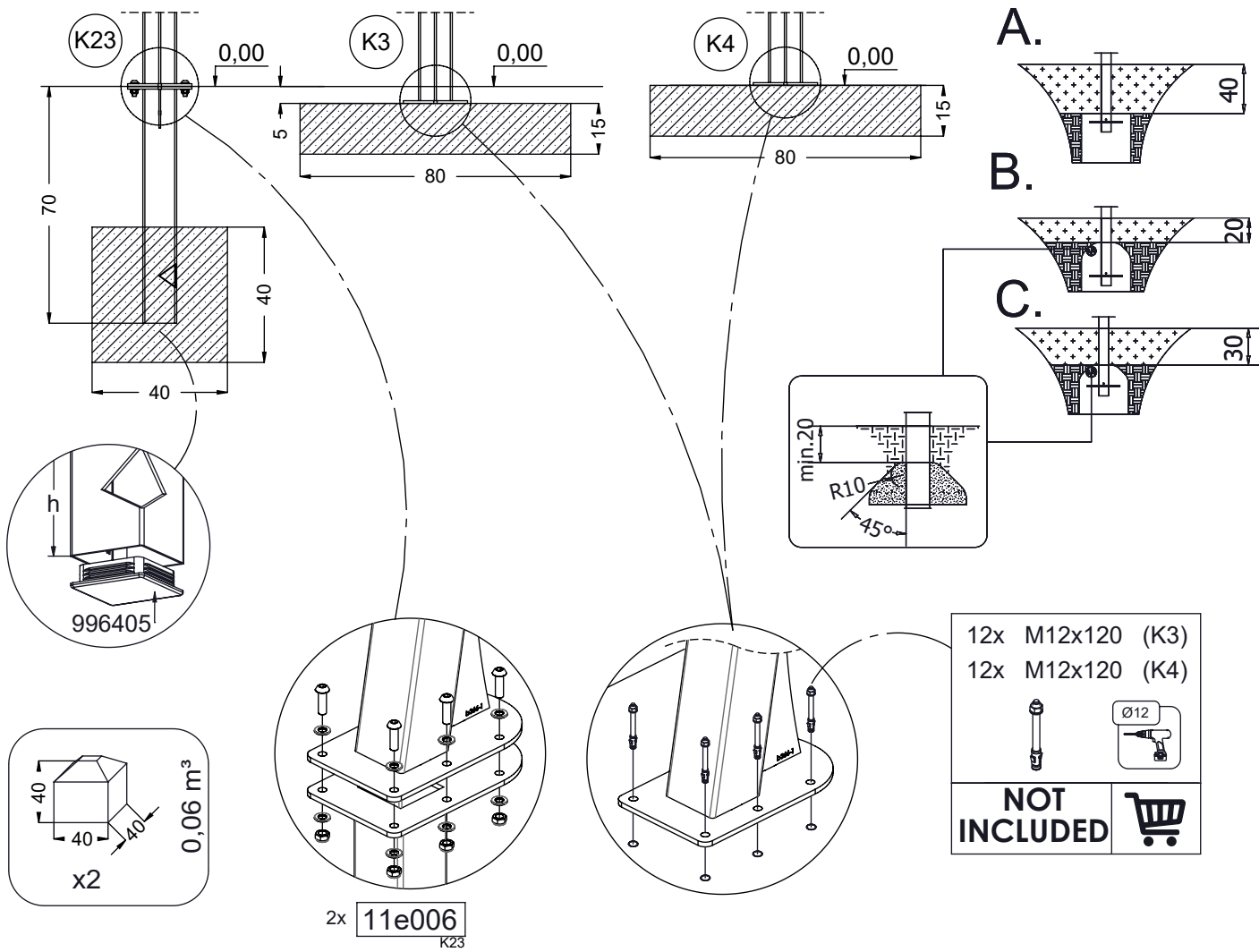
vinci
play



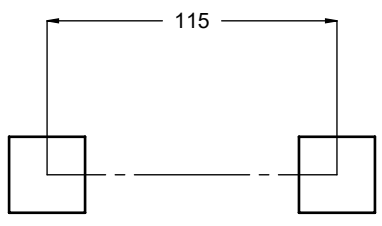
[cm]



vinci
play

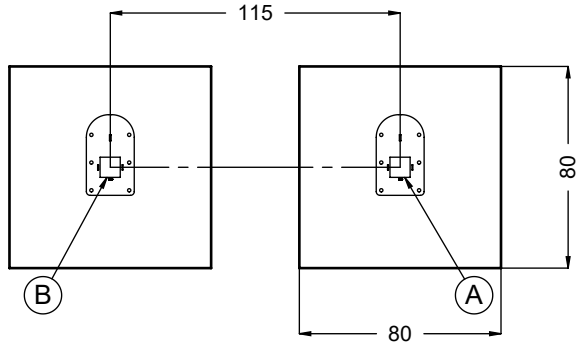


K23



K3

K4

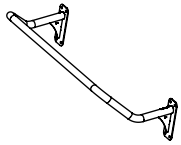


[cm]

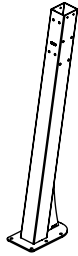
x2
 1h

 48h
 K3/K4 x2 >0,09m³
 K23 x2 >0,06m³

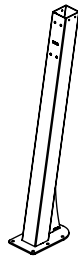
vinci play



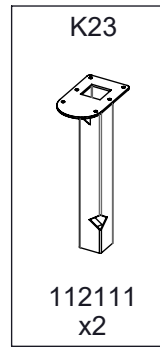
112122
112184 (inox)
x1



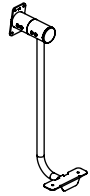
1106B
x1



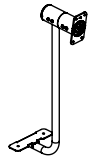
1106A
x1



111113
x2

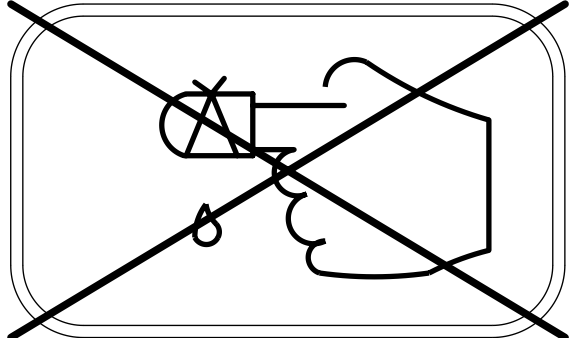


114104
114105 (inox)
x1

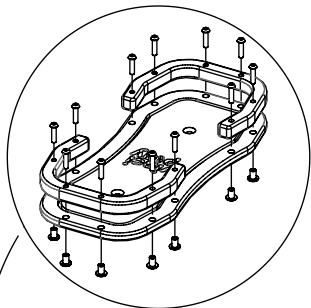
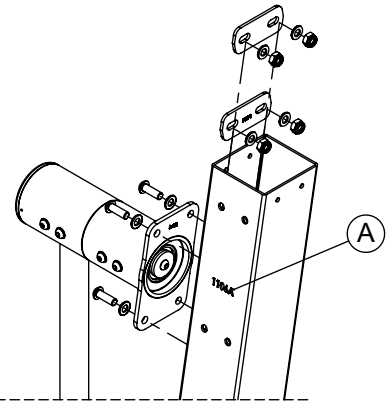
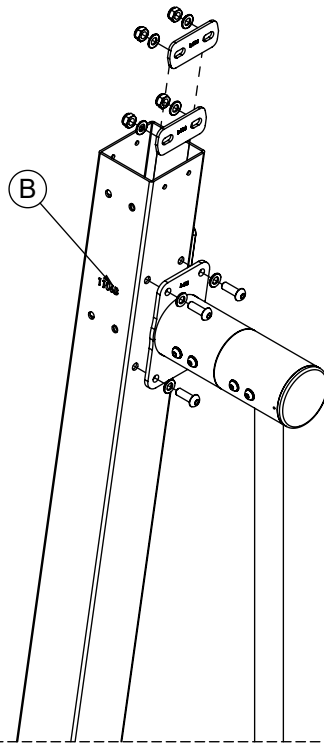


114106
114107 (inox)
x1

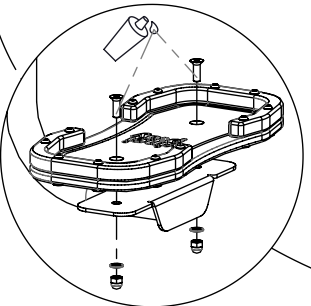
ST/INOX	
2x	11e006 (K23)
2x	11e001
1x	11e003
4x	11e004
1x	11e009
2x	11e011
1x	116106
2x	996405



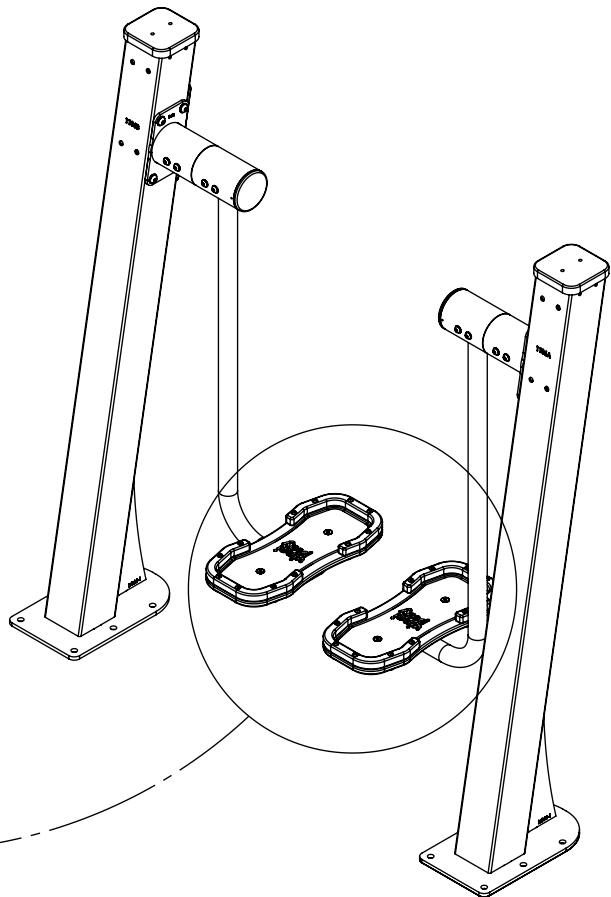
2x 11e004



2x 11e011



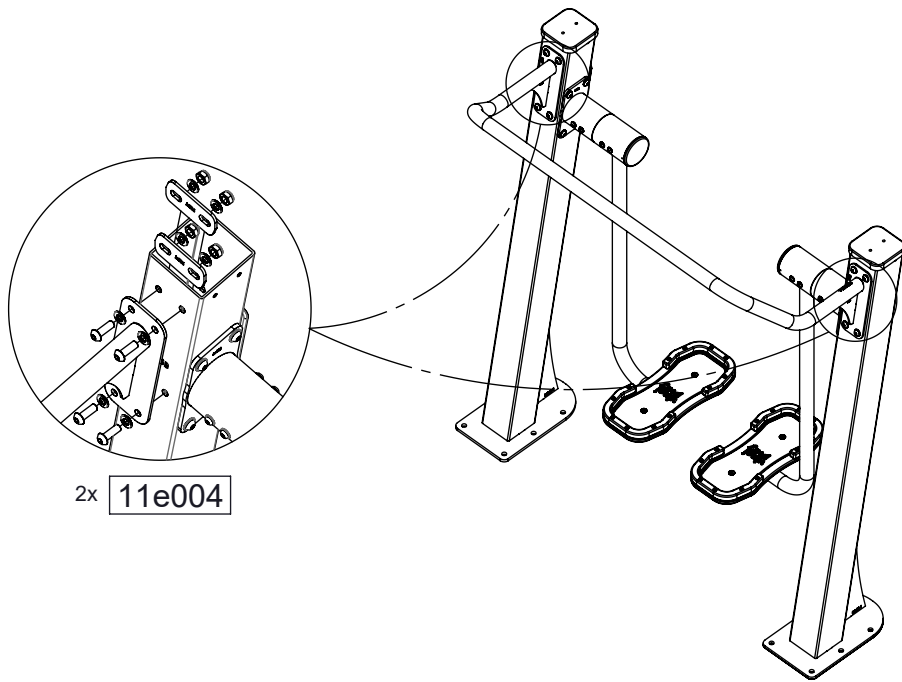
1x 11e009



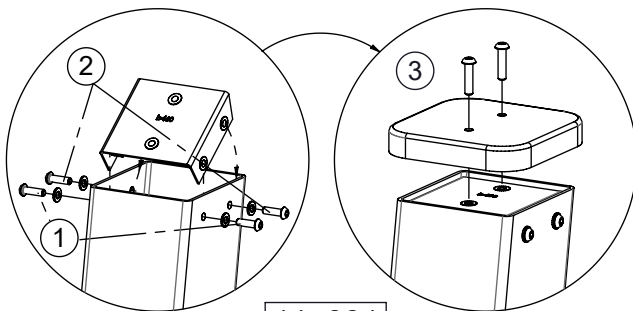
[cm]



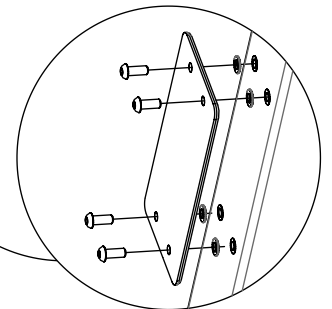
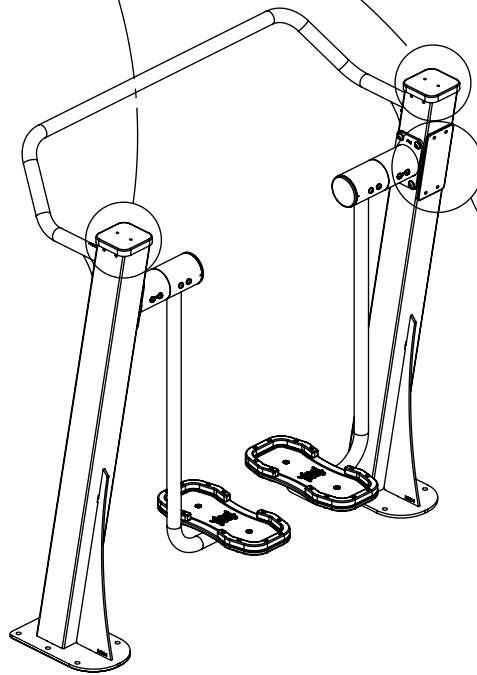
vinci
play



2x 11e004



2x 11e001



1x 11e003

1x 116106

[cm]



vinci
play