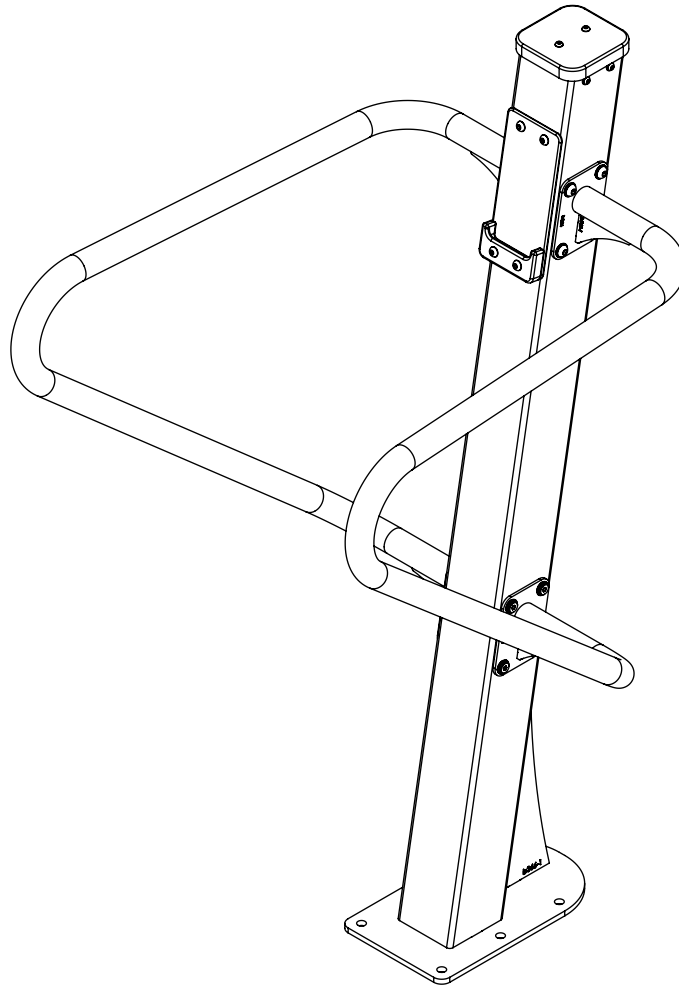
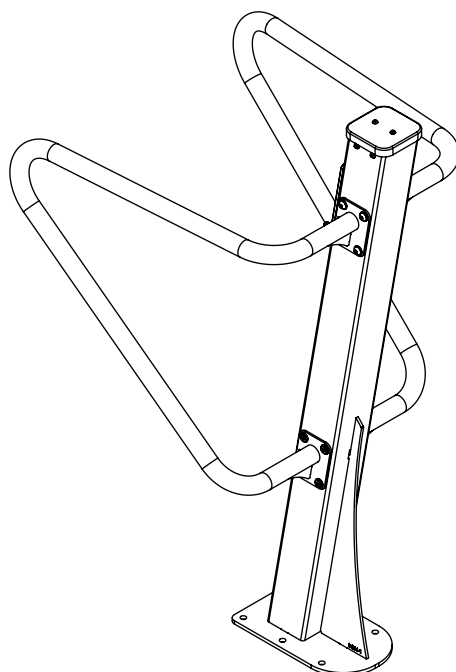
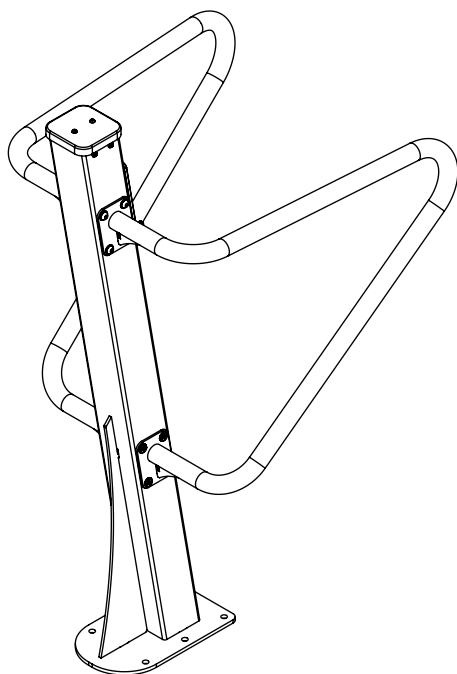
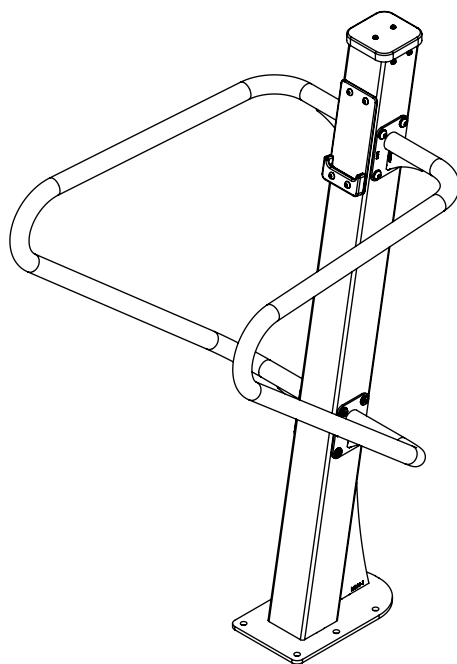
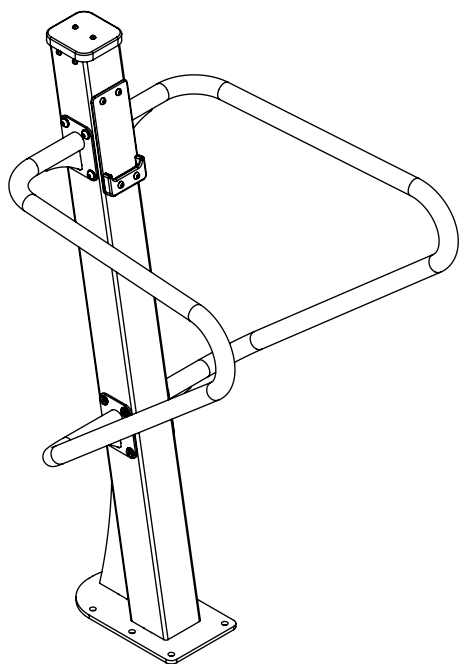


1117



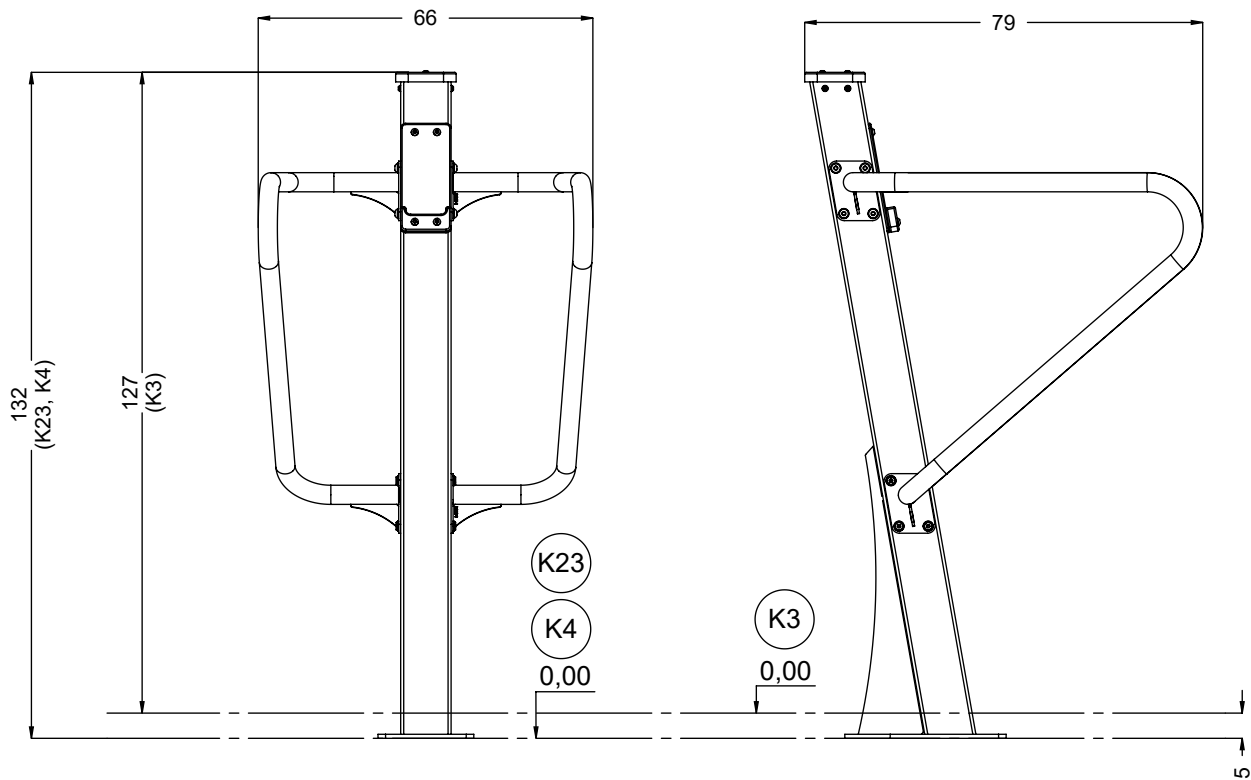
v011
23.03.2021
A. H.
[cm]

vinci
play



[cm]

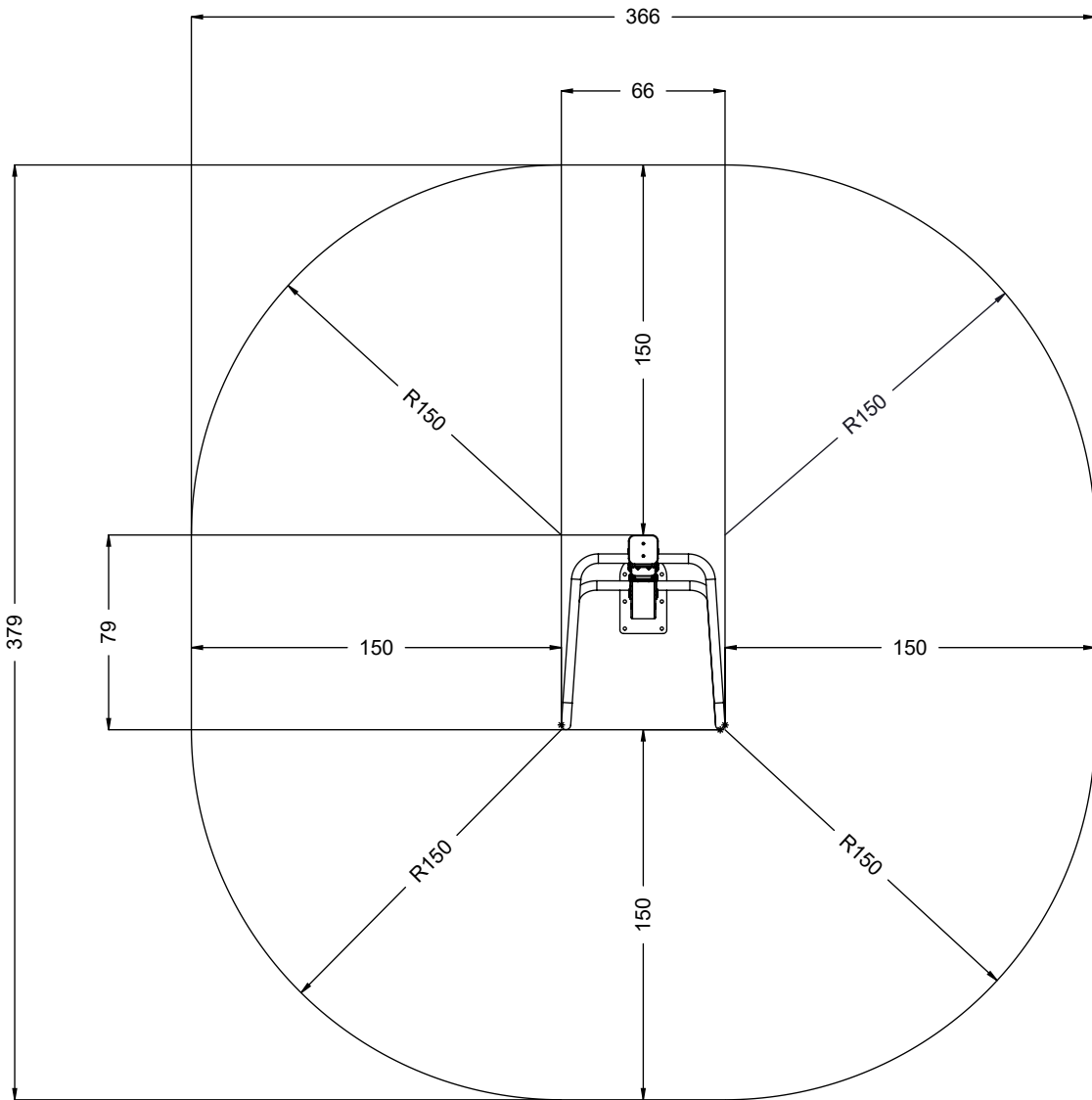
vinci
play



[cm]



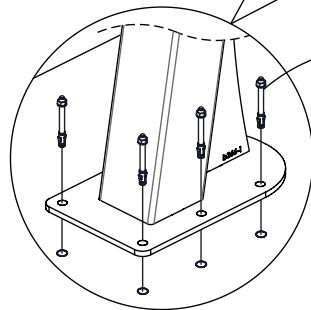
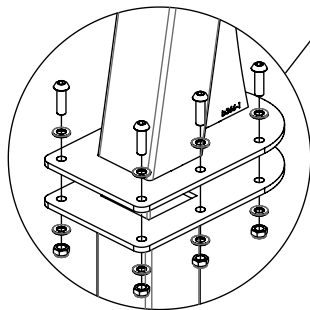
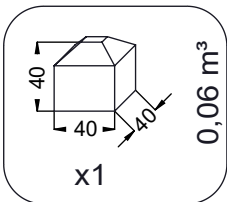
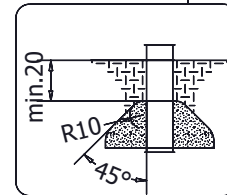
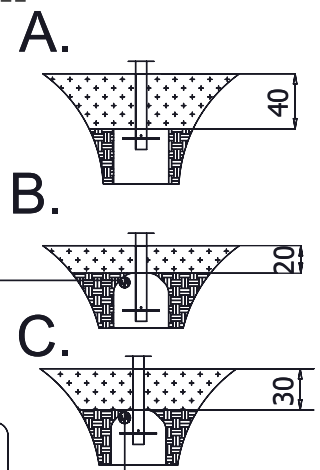
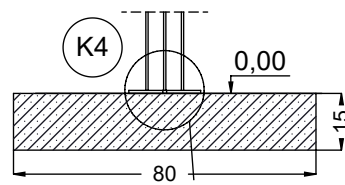
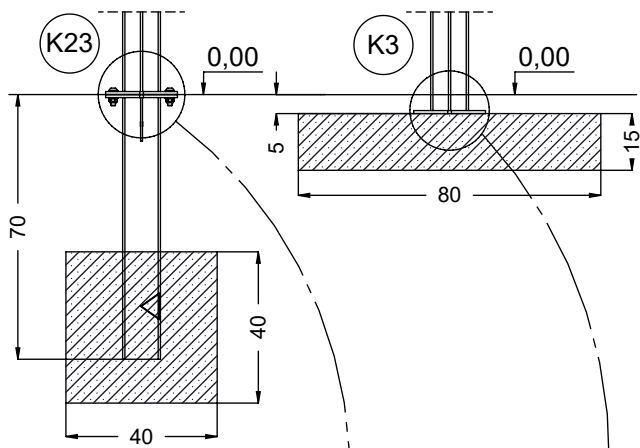
vinci
play



[cm]



vinci
play

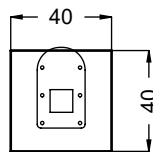


6x M12x120 (K3)
6x M12x120 (K4)

NOT INCLUDED

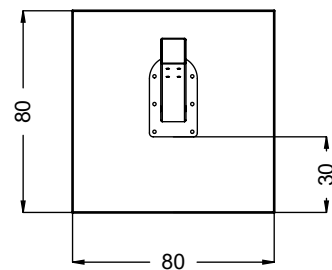
1x **11e006**
K23

K23



K3

K4



[cm]



1h



48h

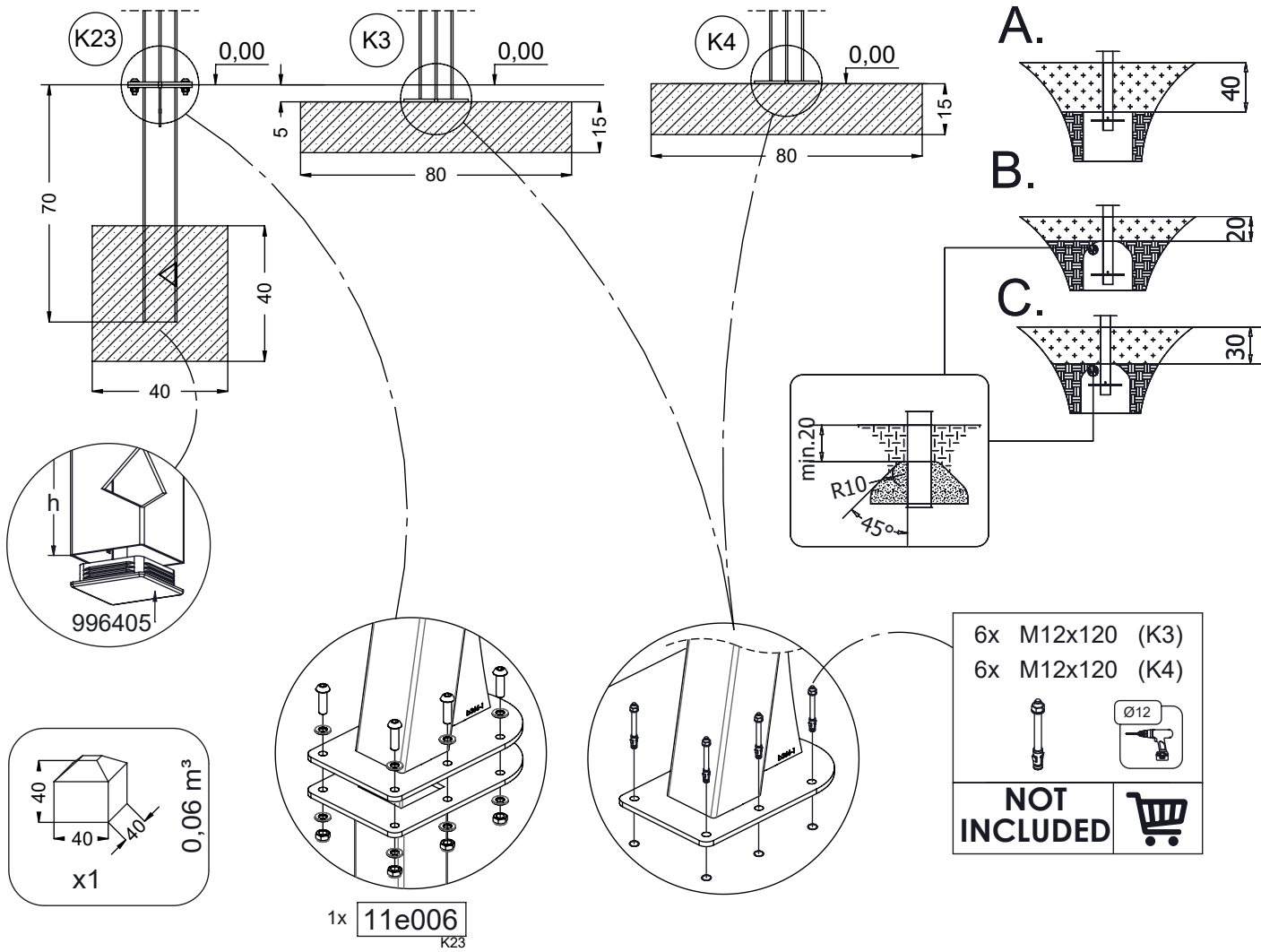


K3/K4
x1 >0,96m³

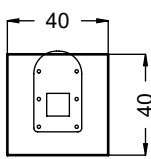


K23
x1 >0,06m³

vinci
play

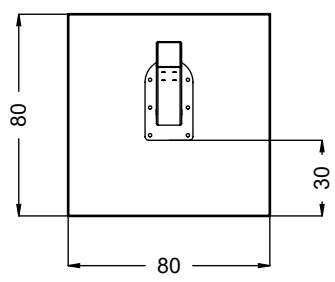


K23



K3

K4



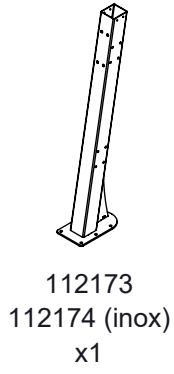
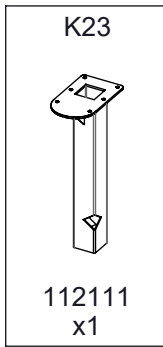
[cm]



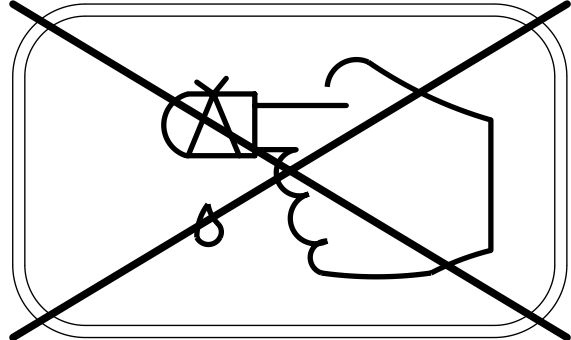
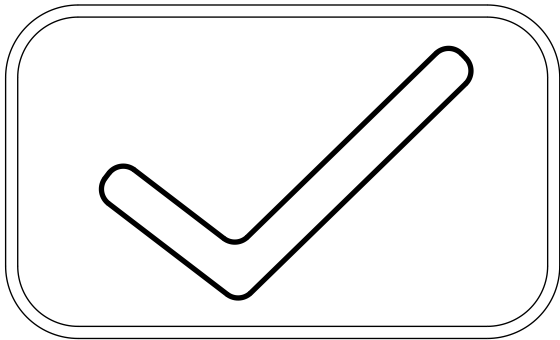
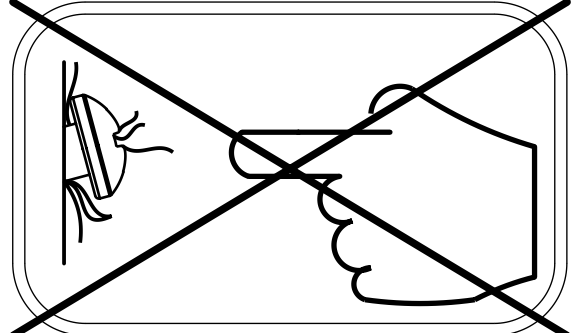
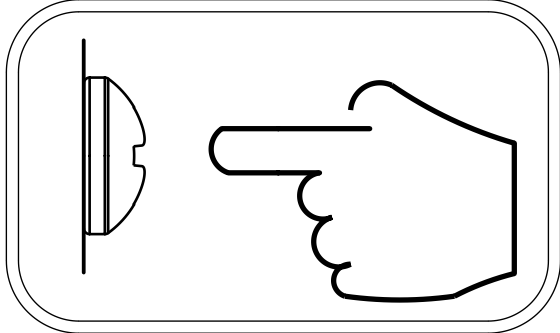
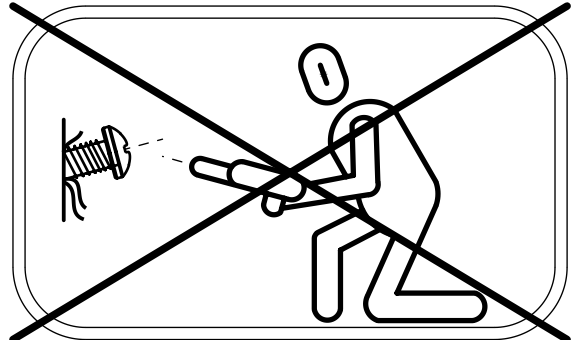
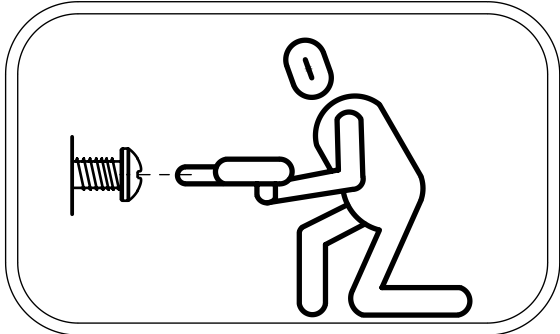
1h

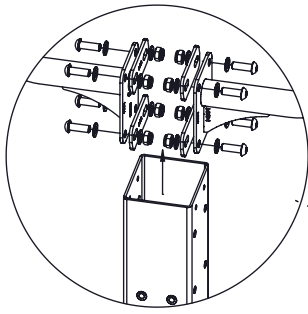


vinci
play

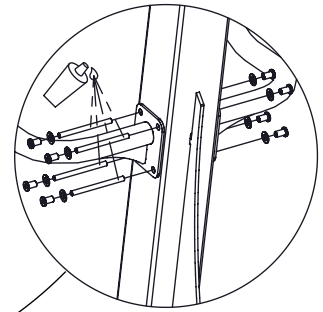
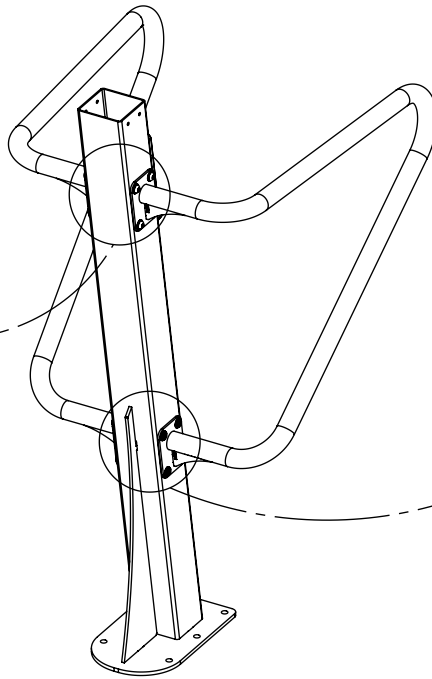


ST/INOX	
1x	11e006 (K23)
1x	996405 (K23)
1x	11e001
1x	11e002
2x	11e004
1x	11e005

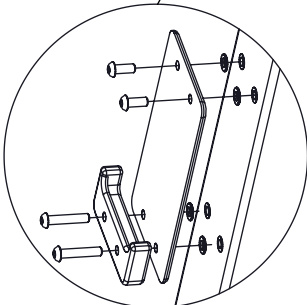
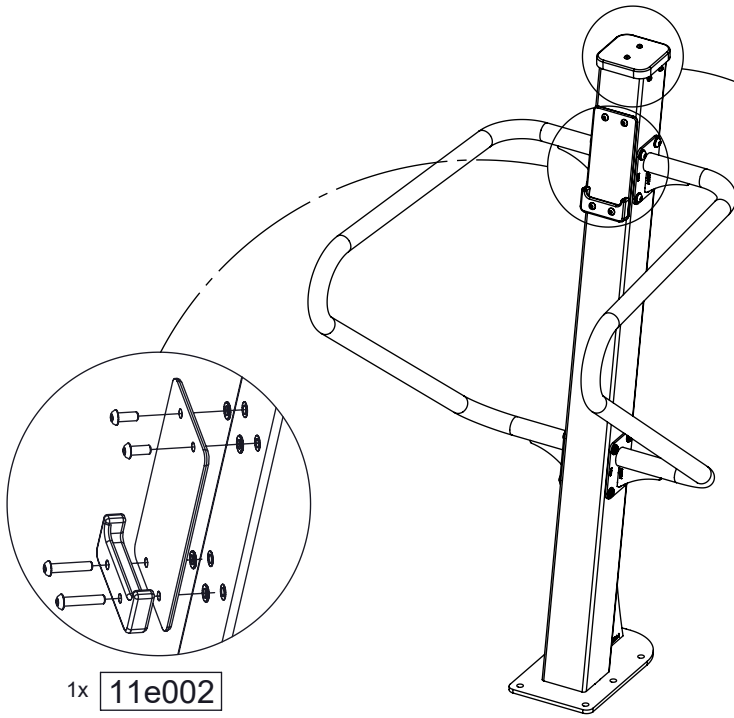




2x 11e004

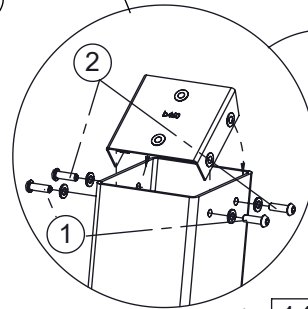


1x 11e005

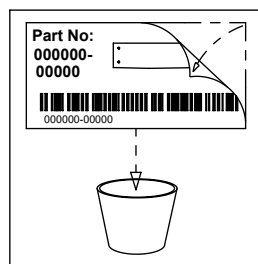
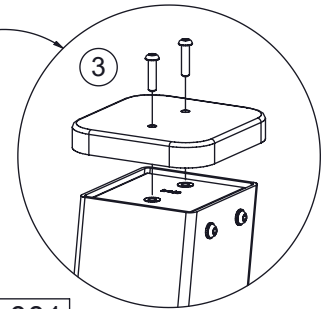


1x 11e002

1x 116117



1x 11e001



[cm]



vinci
play