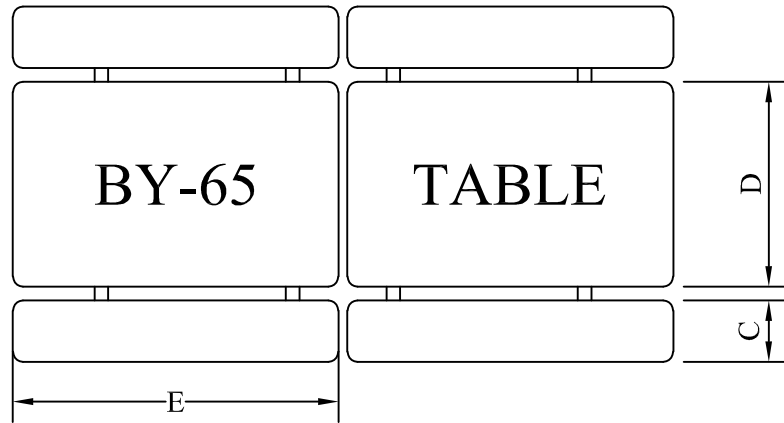
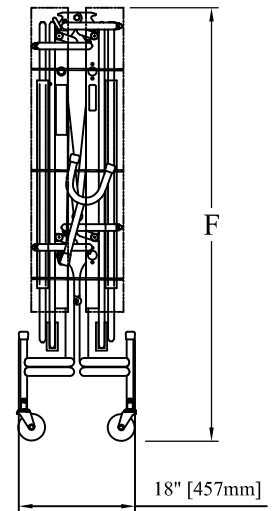
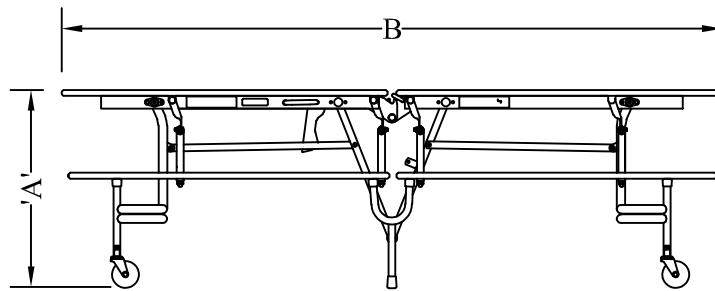
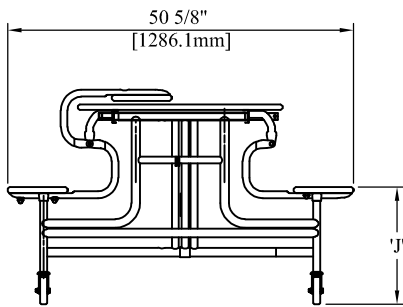
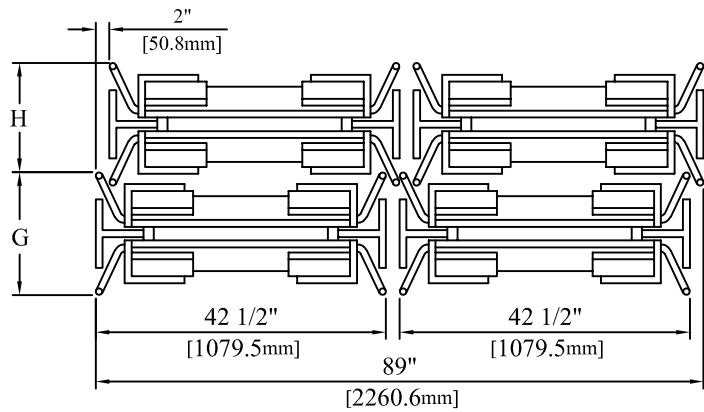


BY-65 (BENCH) TABLE SEATING UNIT



FOUR TABLES SHOWN NESTED IN STORAGE POSITION
(Transport Lock Over-Ridden)



(Transport Lock Over-Ridden)

Item no.	Dim A OPTIONS			Dim B (mm)	Dim C (mm)	Dim D (mm)	Dim E (mm)	Weight	Dim F (mm)	Dim G (mm)	Dim H (mm)	Dim J (mm)		
	25"	27"	29"									25"	27"	29"
117135	25"	27"	29"	2440	230	762	1220	95 kg	1529	457	406	25"	27"	29"
	64cm	69cm	74cm									13.15"	15.15"	17.15"
117136	25"	27"	29"	3048	230	762	1524	109 kg	1758	457	406	13.15"	15.15"	17.15"
	64cm	69cm	74cm									33.4cm	38.5cm	43.6cm
117137		27"	29"	3658	230	762	1830	122 kg	1986	457	406		15.15"	17.15"
		69cm	74cm									38.5cm	43.6cm	