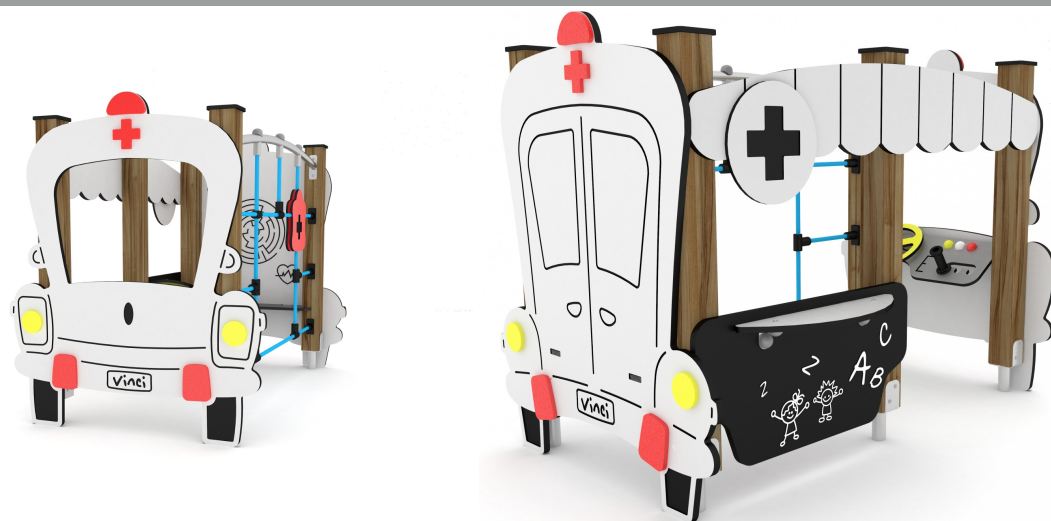


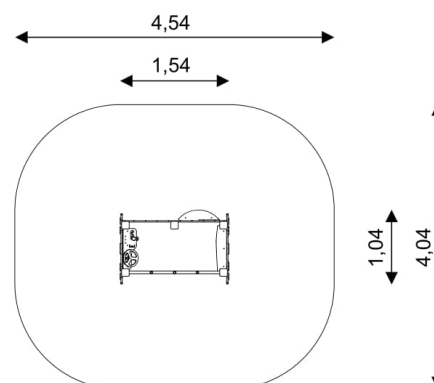
### WOODEN WD1432

### PLAYGROUND EQUIPMENT



Safety zone	16,40 m <sup>2</sup>
Length	1,54 m
Width	1,04 m
Total height	1,20 m
Free fall height	1,10 m
Age range	1-8 years
In accordance w/ EN standards	1176-1:2017
Weight of the heaviest part [kg]	10
Dimension of the biggest part [cm]	151x100x1,2
Availability of spare parts	Yes

Minimal space



#### Material Specification

- 90x90 mm main construction made of impregnated, laminated wood of pine;
- Top of the construction is secured with polyethylene caps to protect the wood surface from atmospheric conditions;
- Metal anchors are made of hot dip galvanized steel, protecting the wood from direct contact with the ground to prevent rot and extending the product's life;
- Panels are made of atmospheric condition resistant HDPE or HPL plates;
- Stainless steel screws or screws covered with plastic caps;
- No sharp edges or chinks that would pose a danger of jamming the head, fingers or any other body parts;
- Handrails are made of stainless steel;
- Steel ropes braided with PP, connected by durable plastic elements;

#### Additional comments

- The equipment is certified by an accrediting organization or by certificate of conformity;
- Depth of foundations on a flat surface: 80/70/60 cm;
- The equipment is designed for public playgrounds;

#### Surfaces

Due to the free fall height of the equipment, the EN 1176-1:2017 standard allows the following surfaces: sand with minimal layer thickness of 30 cm (A,C), synthetic material approved for free fall of 1,10 m (A,B,C)

