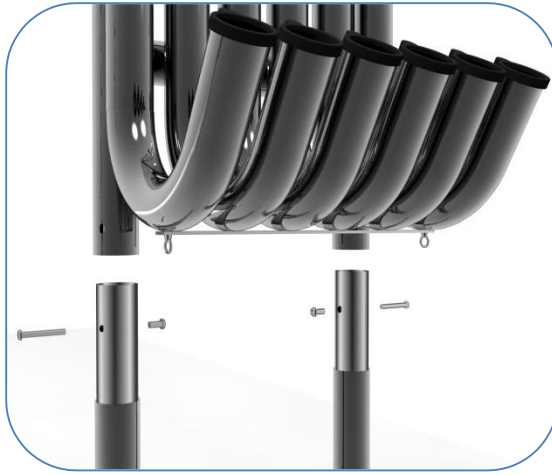


Installation Instructions

Surface Fixed

Tembos
Page 1 of 3



1. Locate Tembos frame onto legs and, and bolt into place using pre drilled holes, **2 bolts per post.**(See Assembly Guide)

2. Attach Surface Fixing posts to legs(1.2) (See Ground Fix Post Installation Sheet)

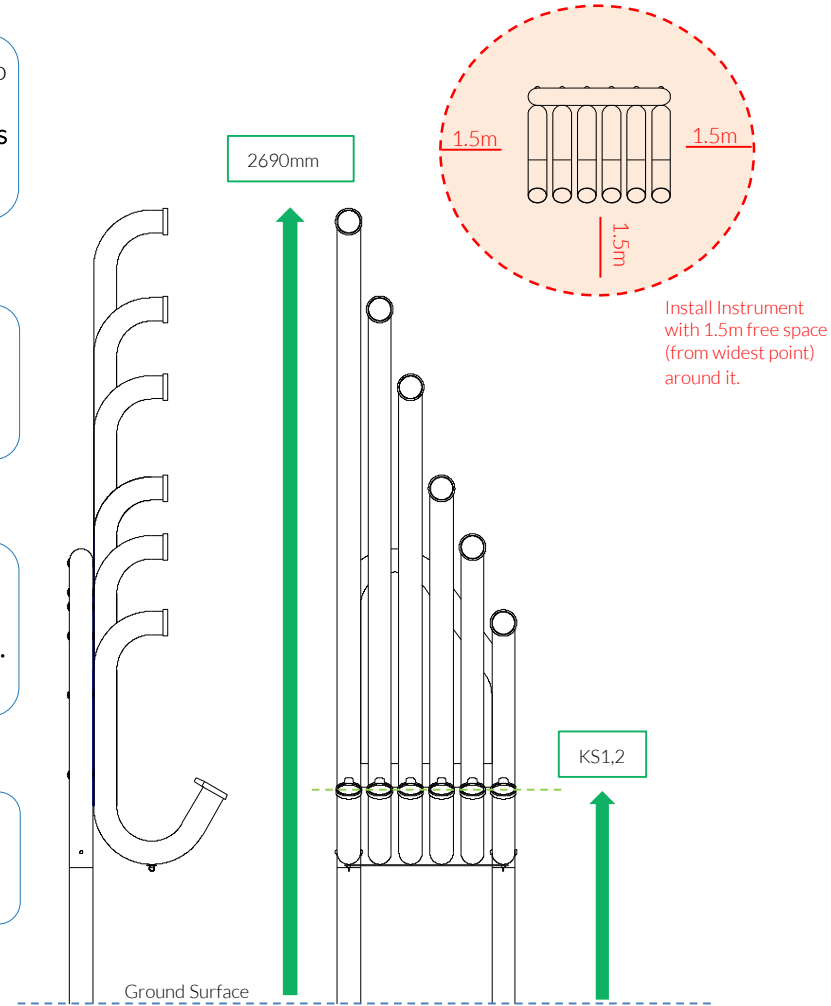
3. Locate Instrument in desired location and mark holes to fix to desired surface.

4. Fix to Surface using recommended ground anchors not supplied

5. Make sure all fixings are covered and secure using cover caps provided



Weight of heaviest part **52kg** (Tembo Frame)



Components:



x12

M10x100 Security Screw



x24

M10 Flanged Slide Bearing



x2

M6 Eye Bolt

Metric

Conversion:

300mm/ 12"

600mm/ 24"

700mm/ 28"

800mm/ 31"

1.5m/ 59"

2690mm/ 106"



Pair Neoprene Paddles X1

Ground Fix Components:



x4

M10x70 Security Screw



x4

M10 Barrel Nut



x8

2 Part Cover Cap

Spares available from percussionplay.com or from your local distributor

80 Kg

Tools:

- Pin Hex Driver Bit x1
- TX 45 Driver Bit x2

Surface Fixed

Tembos
Page 2 of 3



Instrument Components:



x12

M10x100 Security Screw



x24

M10 Flanged Slide Bearing



x2

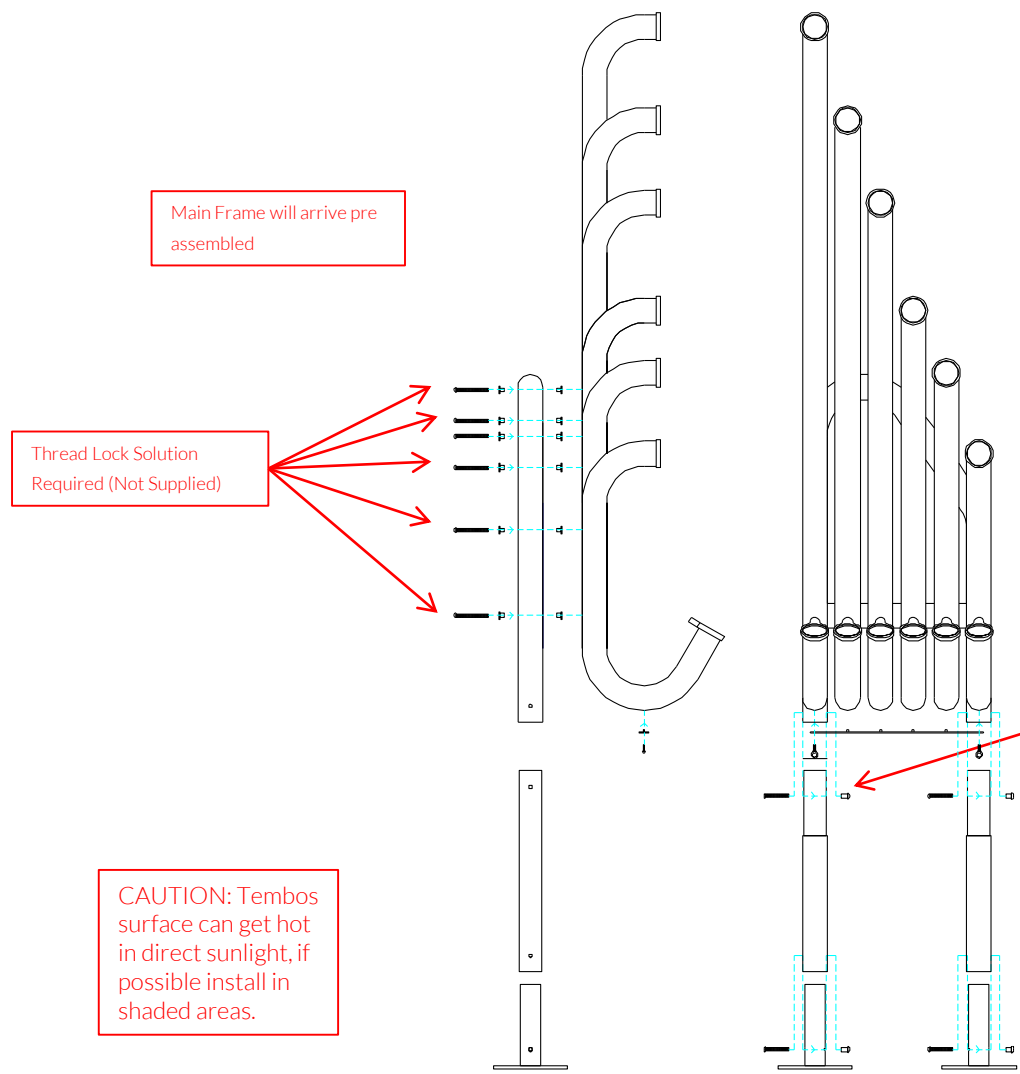
M6 Eye Bolt

Thread Lock Solution Required (Not Supplied)

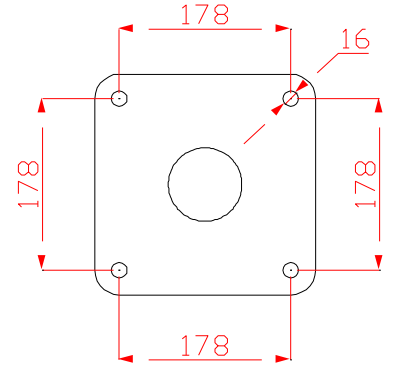
Main Frame will arrive pre assembled

CAUTION: Tembos surface can get hot in direct sunlight, if possible install in shaded areas.

Thread Lock Solution Required (Not Supplied)



Thread Lock Solution Required (Not Supplied)



COMPONENTS LIST:

- M6 Eye Bolt X2
- M10x70 Pin torx X4
- M10 Barrel Nut Pin torx X4
- M10x100 Pin torx X12
- M10 Black Slide Plastic Bearing X12
- SS Brace Bar X1



Pair Neoprene Paddles X1

Ground Fix Components:

- x4
- x4
- x8

Spares available from percussionplay.com or from your local distributor

70 Kg

Tools:

 x2
 TX 45 Driver Bit

Surface Fixed

Tembos
 Page 3 of 3



Components:

 x4

M10 Barrel Nut

 x4

M10x70 Security Screw

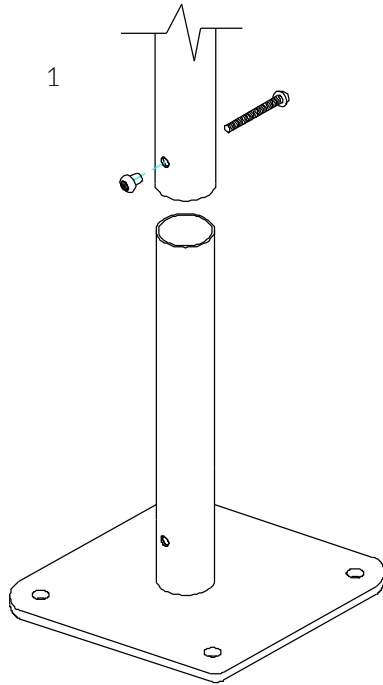
 x8

2 Part Cover Cap

Thread Lock Solution
 Required (Not Supplied)

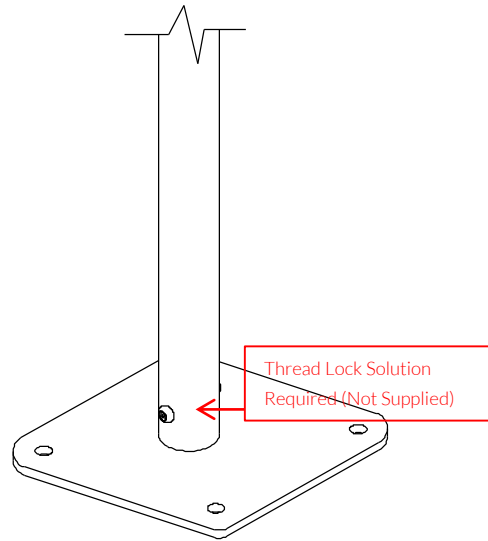
Metric
 Conversion:
 300mm/ 12"
 600mm/ 24"
 700mm/ 28"

1



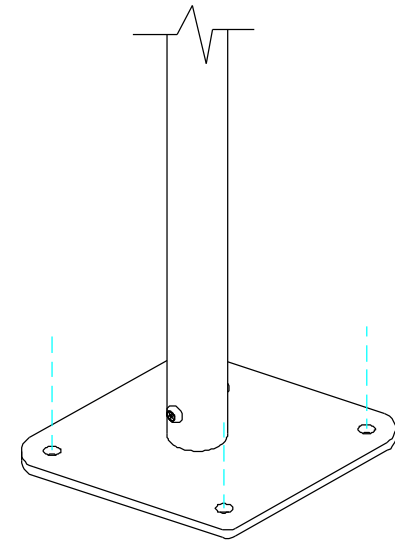
Locate the Surface fix
 Plate into the leg of the
 instrument.

2



Fix instrument to Surface
 fix plate using M10 bolt
 and Barrel Nut and use
thread locking solution
 to prevent fixings working
 loose.

3



Fix Surface Plate to the
 ground surface **Ground
 Anchors Not provided**
 cover fixings with caps
 provided

Repeat Parts 1-3 for both legs