

# Installation Instructions

## Surface Fixed

Freechimes  
Alto/ Soprano  
Page 1 of 3



Metric Conversion:  
600mm/ 24"  
800mm/ 31"  
950mm/ 37"  
1200mm/ 47"  
1.5m/ 59"

Weight of heaviest part **8.35kg** (Freechimes)

**1. Carefully lay 2 x legs** on a **level surface** and check distance between **legs is equal**. Line up pre drilled holes in the backboards with the holes in legs and ensure the instrument is aligned square with the legs. **Fix in place using M8x40mm screws** supplied (see installation guide)

**2. Attach Surface Fixing posts** to legs (See **Surface Fix Post Installation Sheet**)

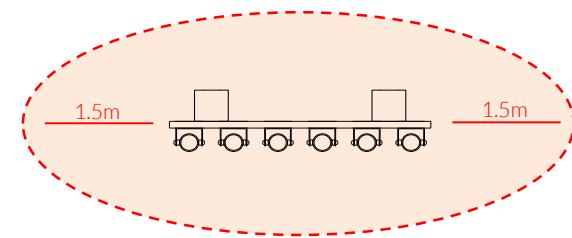
**3. Locate Instrument** in desired location and mark holes to fix to desired surface.

**4. Fix Surface Plate** to level surface using Coachscrews, Rawlbolts, chemical anchors or similar as deemed appropriate by Installer.

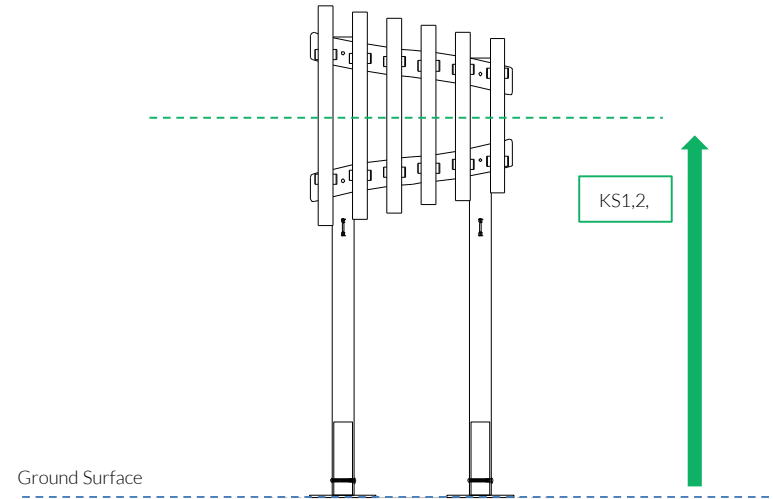
(It is your responsibility to ensure that the existing surface is suitable to receive the appropriate fixing)

**5. Make sure all fixings** are covered and secure using cover caps provided

**6. Beaters can be fixed** to Steel posts with fixings provided



Install Instrument with 1.5m free space (from widest point) around it.



Ground Surface

KS1,2

KS1 - 800mm  
KS2 - 950mm  
Adult - 1200mm



Pair Small Beaters X1

Ground Fix Components:



2 Part Cover Cap x8



M10 Barrel Nut x2





M10x70 Security Screw x2


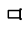
Spares available from [percussionplay.com](http://percussionplay.com) or from your local distributor

16 Kg

**Tools:**

 x1  
 x2  

TX 30 Driver Bit    TX 45 Driver Bit

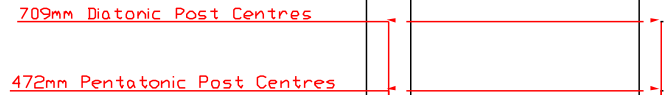
- COMPONENTS LIST:**
-  Saddle Strap X2
  -  M6x20 Pin torx X4
  -  M8x40 Pin Torx X4
  -  M10x70 Pin torx X2
  -  M10 Barrel Nut Pin torx X2

Surface Fixed  
Freechimes  
Alto/ Soprano  
Page 2 of 3

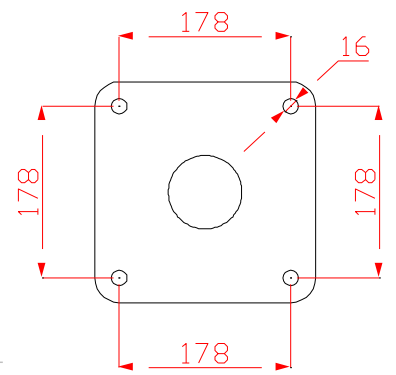
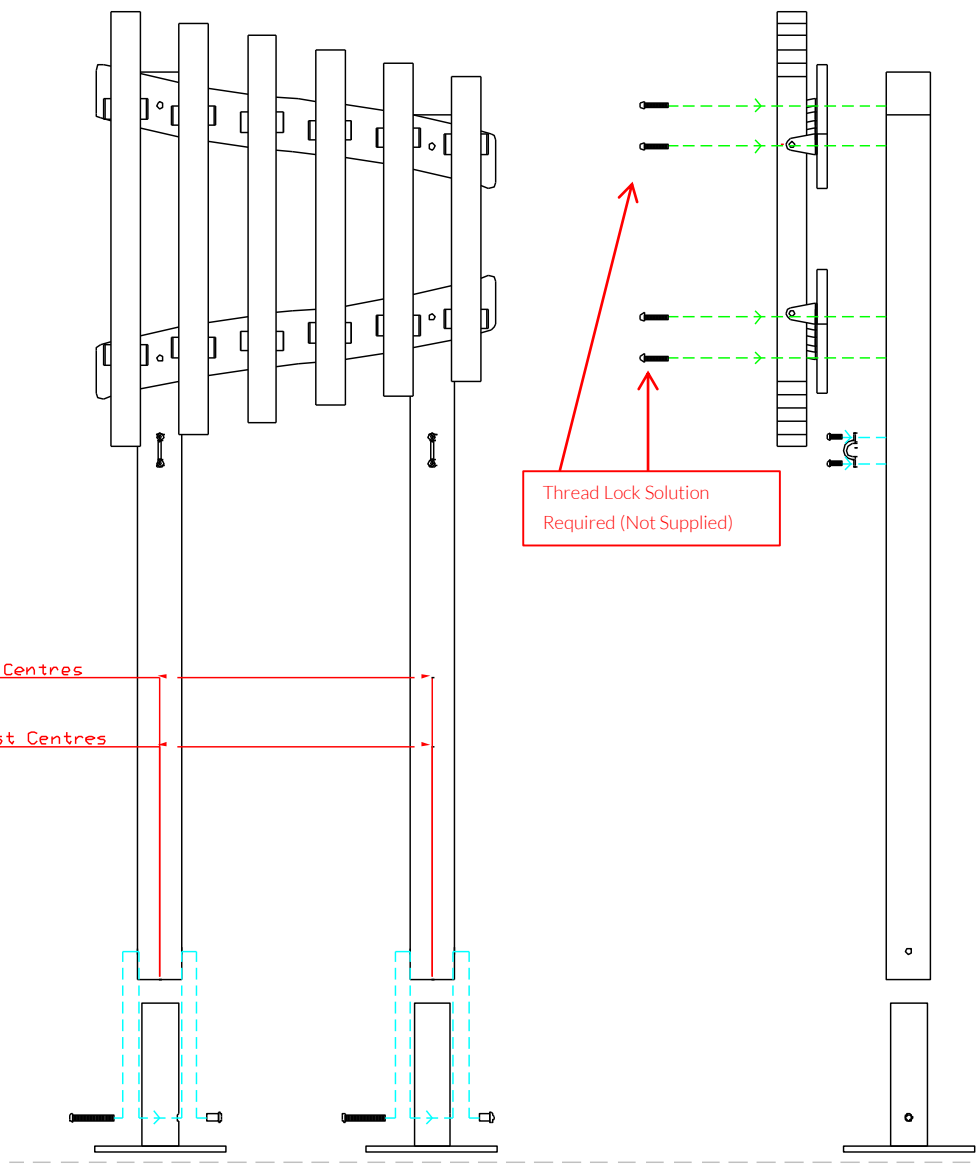


- Components:**
-  Eye Straps X2
  -  M6x20mm Secure Screw X4
  -  M8x40mm Secure Screw X4

Thread Lock Solution  
Required (Not Supplied)






Thread Lock Solution  
Required (Not Supplied)




Pair Small Beaters X1

Ground Fix Components:

-  x8  
2 Part Cover Cap
-  x2  
M10 Barrel Nut
-  x2  
M10x70 Security Screw

Spares available from  
[percussionplay.com](http://percussionplay.com) or from your  
local distributor

**16 Kg**

Tools:

 x2  
 TX 45 Driver Bit

## Surface Fixed

Freechimes  
 Alto/ Soprano  
 Page 3 of 3



## Components:

x2

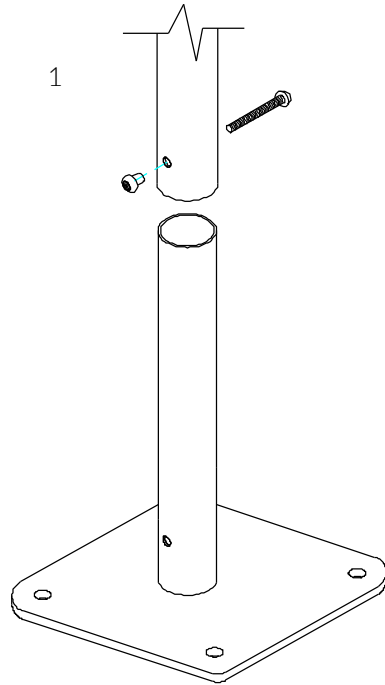
M10 Barrel Nut

x2

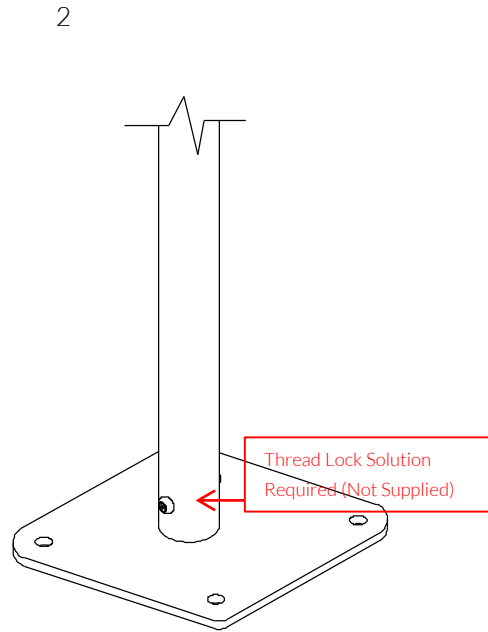
M10x70 Security Screw

x8

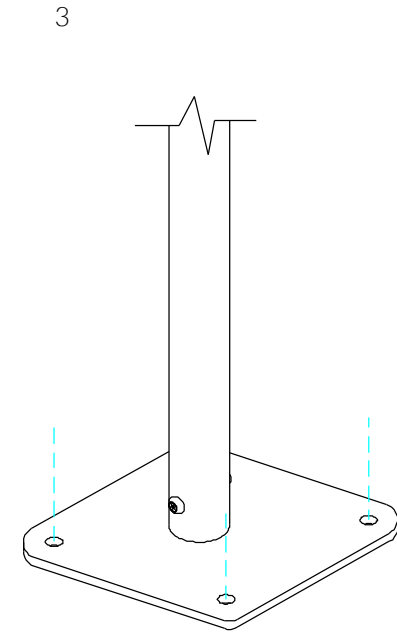
2 Part Cover Cap



Locate the Surface fix  
 Plate into the leg of the  
 instrument.



Fix instrument to Surface  
 fix plate using M10 bolt  
 and Barrel Nut and use  
**thread locking solution**  
 to prevent fixings working  
 loose.



Fix Surface Plate to the  
 ground surface **Ground  
 Anchors Not provided**  
 cover fixings with caps  
 provided

Thread Lock Solution  
 Required (Not Supplied)



MADE IN  
BRITAIN

BSEN 1176